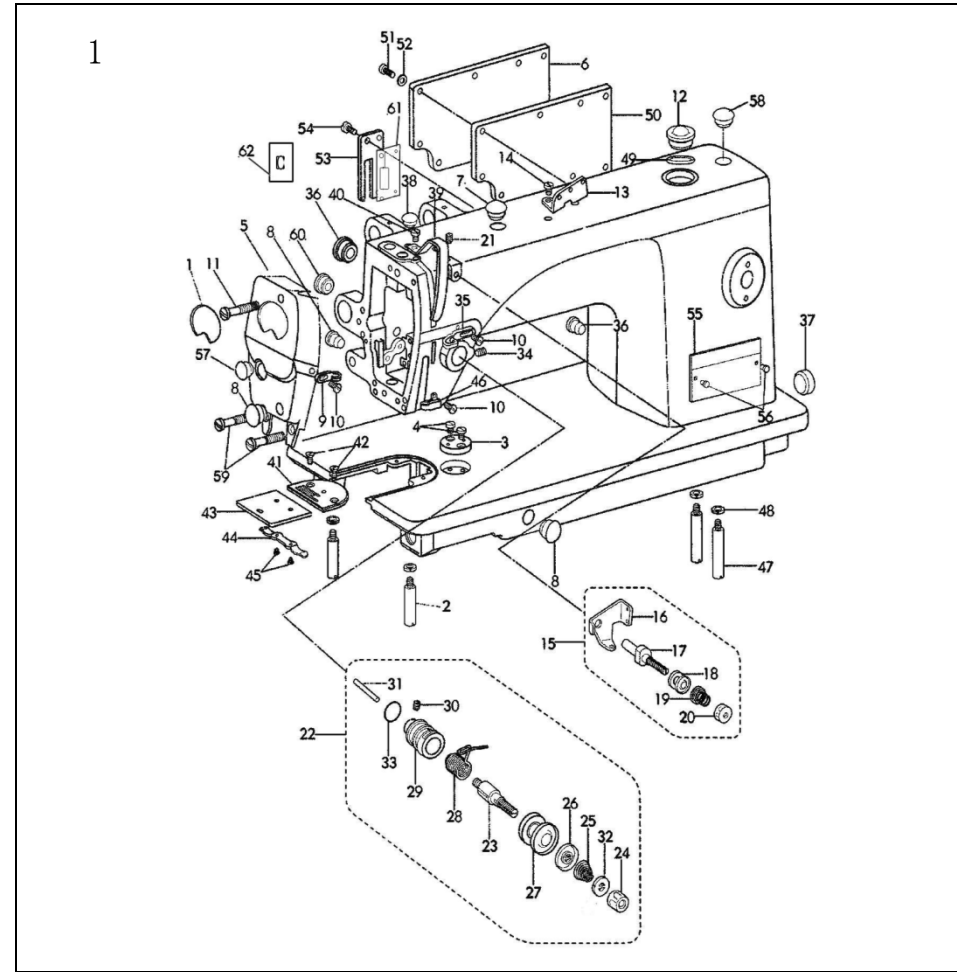


# 6380系列

厚料平缝机系列产品 Heavy duty lockstitch sewing machine

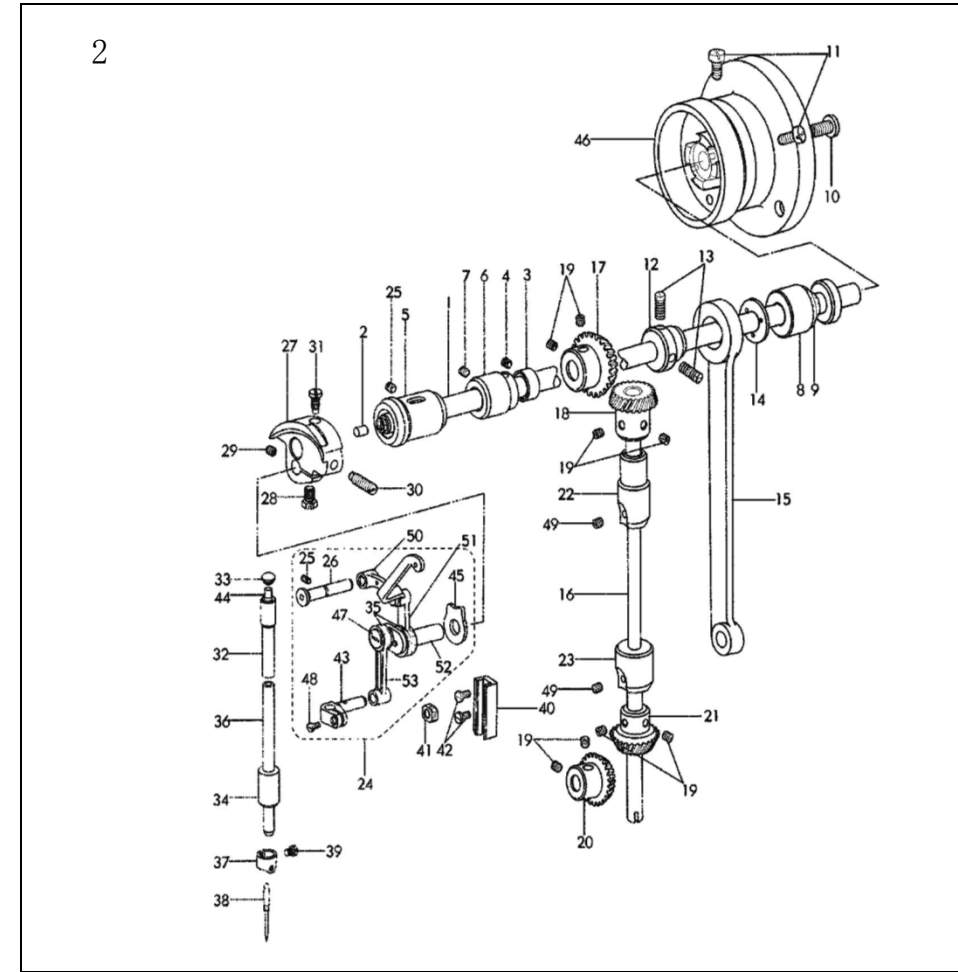
零件手册

Parts Manual



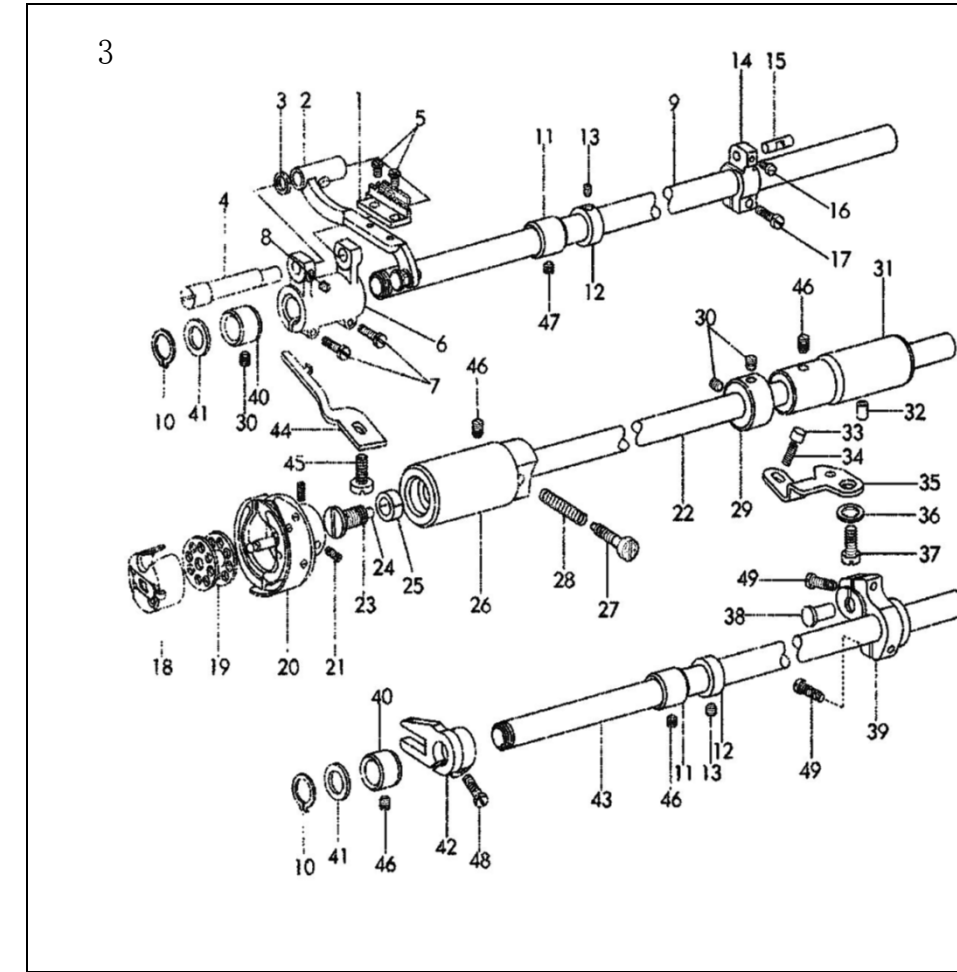
1. 机壳、外装分组件/Machine frame & miscellaneous cover components

序号NO.	公司件号	Part NO.	名称 PartName	零件描述 Description	数量 Number
1	0137004		商标牌	Plate	1
2	13520010		旋板螺钉(头部)	Head screw stud(head)	2
3	0112002		旋板垫圈	Washer stop seat	1
4	01511002		螺钉	Screw	2
5	13501003		面板	Face plate arm	1
6	13512002		后盖板	Side plate	1
7	13522001		橡皮塞(Φ19)	Rubber plug(Φ19)	1
8	13522002		橡皮塞(Φ11.8)	Rubber plug(Φ11.8)	3
9	13512003		线勾	Arm thread guide	1
10	01511005		螺钉	Screw	3
11	201511025		螺钉	Screw	1
12	0111004		视窗	Oil sight window	1
13	13512004		三孔线勾	Three hole thread guide	1
14	201511016		螺钉	Screw	1
15	1351300100		小夹线组件	Thread tension asm.No.1	1
16	13512005		小夹线过线板	Thread tension guide	1
17	13530001		小夹线螺钉	Thread tension post	1
18	13513002		小夹线簧	Thread tension spring	2
19	13527001		小夹线螺母	Thread tension nut	1
20	01516016		螺钉	Screw	1
21	13513001		小夹线零件	Thread tension asm	1
22	13513002		小夹线螺钉	Thread tension post	1
23	13513002		小夹线簧	Thread tension spring	1
24	01516001		小夹线螺母	Thread tension nut	1
25	13527002		小夹线簧	Thread tension spring	1
26	13513004		小夹线板	Thread tension plate	1
27	13513005		小夹线轴	Thread tension shaft	2
28	13527003		小夹线簧	Thread tension spring	1
29	13513006		小夹线轴套	Thread tension shaft sleeve	1
30	01515005		小夹线轴套	Thread tension shaft sleeve	1
31	13513007		小夹线轴套	Thread tension shaft sleeve	1
32	13513008		小夹线轴套	Thread tension shaft sleeve	1
33	001059		小夹线轴套	Thread tension shaft sleeve	1
34	13511001		小夹线轴套	Thread tension shaft sleeve	1
35	13513009		小夹线轴套	Thread tension shaft sleeve	1
36	13522003		小夹线轴套	Thread tension shaft sleeve	1
37	13522004		小夹线轴套	Thread tension shaft sleeve	1
38	13522005		小夹线轴套	Thread tension shaft sleeve	1
39	13512006		小夹线轴套	Thread tension shaft sleeve	1
40	201511016		小夹线轴套	Thread tension shaft sleeve	1
41	13516001		小夹线轴套	Thread tension shaft sleeve	1
42	01517002		小夹线轴套	Thread tension shaft sleeve	2
43	13515002		小夹线轴套	Thread tension shaft sleeve	1
44	13512007		小夹线轴套	Thread tension shaft sleeve	1
45	01511019		小夹线轴套	Thread tension shaft sleeve	2
46	13513010		小夹线轴套	Thread tension shaft sleeve	1
47	13522001		小夹线轴套	Thread tension shaft sleeve	2
48	002004		小夹线轴套	Thread tension shaft sleeve	4
49	01512019		小夹线轴套	Thread tension shaft sleeve	1
50	13522006		小夹线轴套	Thread tension shaft sleeve	1
51	112511001		小夹线轴套	Thread tension shaft sleeve	8
52	015128003		小夹线轴套	Thread tension shaft sleeve	8
53	13512008		小夹线轴套	Thread tension shaft sleeve	4
54	01511005		小夹线轴套	Thread tension shaft sleeve	1
55	13527001		小夹线轴套	Thread tension shaft sleeve	1
56	003001		小夹线轴套	Thread tension shaft sleeve	2
57	13522001		小夹线轴套	Thread tension shaft sleeve	1
58	13522008		小夹线轴套	Thread tension shaft sleeve	1
59	13511047		小夹线轴套	Thread tension shaft sleeve	2
60	01512216		小夹线轴套	Thread tension shaft sleeve	1
61	13522011		小夹线轴套	Thread tension shaft sleeve	1
62	13522018		小夹线轴套	Thread tension shaft sleeve	1



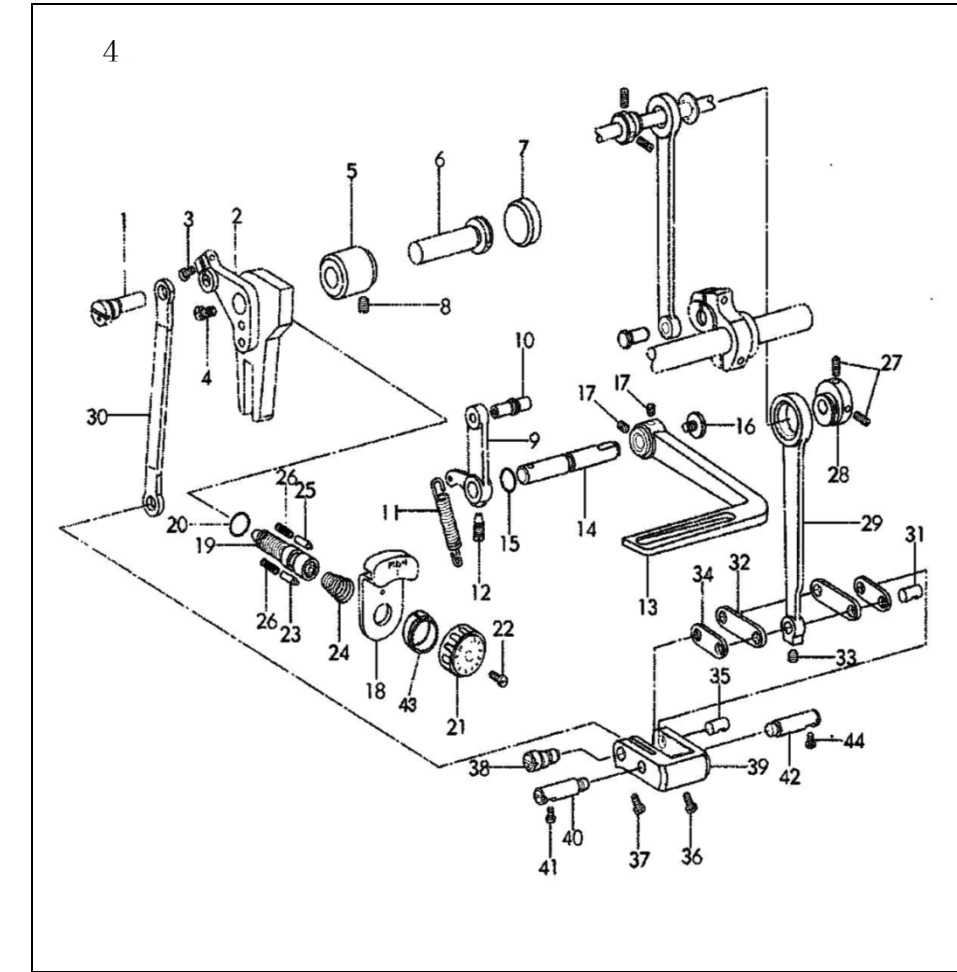
2. 上轴挑线分组件/Main shaft & thread take-up components

序号NO.	公司件号	Part NO.	名称 PartName	零件描述 Description	数量 Number
1	13502001		上轴	Main shaft	1
2	0122012		上轴橡皮塞	Rubber plug	1
3	13508001		上轴衬套	Thrust collar asm.	1
4	13501004		螺钉	Screw	2
5	13503001		上轴前衬套	Main shaft bushing, front	1
6	13503002		上轴中衬套	Bushing, intermediate	1
7	13514006		螺钉	Screw	1
8	13503003		上轴后衬套	Main shaft bushing, rear	1
9	13522010		上轴后轴套油封	Main shaft	1
10	135011013		螺钉	Screw	1
11	01515001		主动轴螺钉	Screw	2
12	13510001		拾牙凸轮	Thrust collar	1
13	13515007		拾牙凸轮螺钉	Connecting rod	3
14	13528002		拾牙凸轮垫片	Thrust collar	1
15	13505001		拾牙连杆	Upright shaft	1
16	13502002		拾牙轴	Gear asm.	1
17	13525001		拾牙轴套	Gear asm.	1
18	13525002		拾牙轴套(上)	Gear asm.	1
19	01515007		螺钉	Screw	8
20	13525003		拾牙轴套(下)	Gear asm.	1
21	13525004		拾牙轴套(上)	Bushing, upper	1
22	13525005		拾牙轴套(下)	Bushing, lower	1
23	13525006		拾牙轴套(上)	Upright shaft bushing, over	1
24	135080100		拾牙轴套(下)	Thread take-up asm	1
25	13515009		拾牙轴套	Thread take-up	2
26	13503003		拾牙轴套	Thread take-up crank shaft	1
27	13504001		拾牙轴套	Counterweight	1
28	13513001		拾牙轴套	Screw	1
29	01515007		拾牙轴套	Screw	1
30	01515004		拾牙轴套	Screw	1
31	01511003		拾牙轴套	Screw	1
32	13502006		拾牙轴套	Needle bar metal, upper	1
33	01512013		拾牙轴套	Cap	1
34	13503007		拾牙轴套	Needle bar metal, lower	1
35	01512001		拾牙轴套	Bearing	2
36	13502001		拾牙轴套	Needle bar	1
37	13513011		拾牙轴套	Needle bar thread guide	1
38	13517001		拾牙轴套	Needle	1
39	01511006		拾牙轴套	Screw	1
40	13509001		拾牙轴套	Needle bar trough	1
41	01516001		拾牙轴套	Slide block	1
42	01511008		拾牙轴套	Screw	2
43	13505002		拾牙轴套	Needle bar connection asm.	1
44	13522001		拾牙轴套	Oil felt for needle bar	2
45	13503003		拾牙轴套	Washer plate	1
46	13505001		拾牙轴套	Hand wheel	1
47	01517001		拾牙轴套	Screw(left twist)	1
48	01511005		拾牙轴套	Screw	1
49	13515008		拾牙轴套	Screw	2
50	13538002		拾牙轴套	Thread take-up lever crank rod	1
51	13538003		拾牙轴套	Thread take-up lever	1
52	13504002		拾牙轴套	Thread take-up crank	1
53	13505003		拾牙轴套	Needle bar crank rod	1



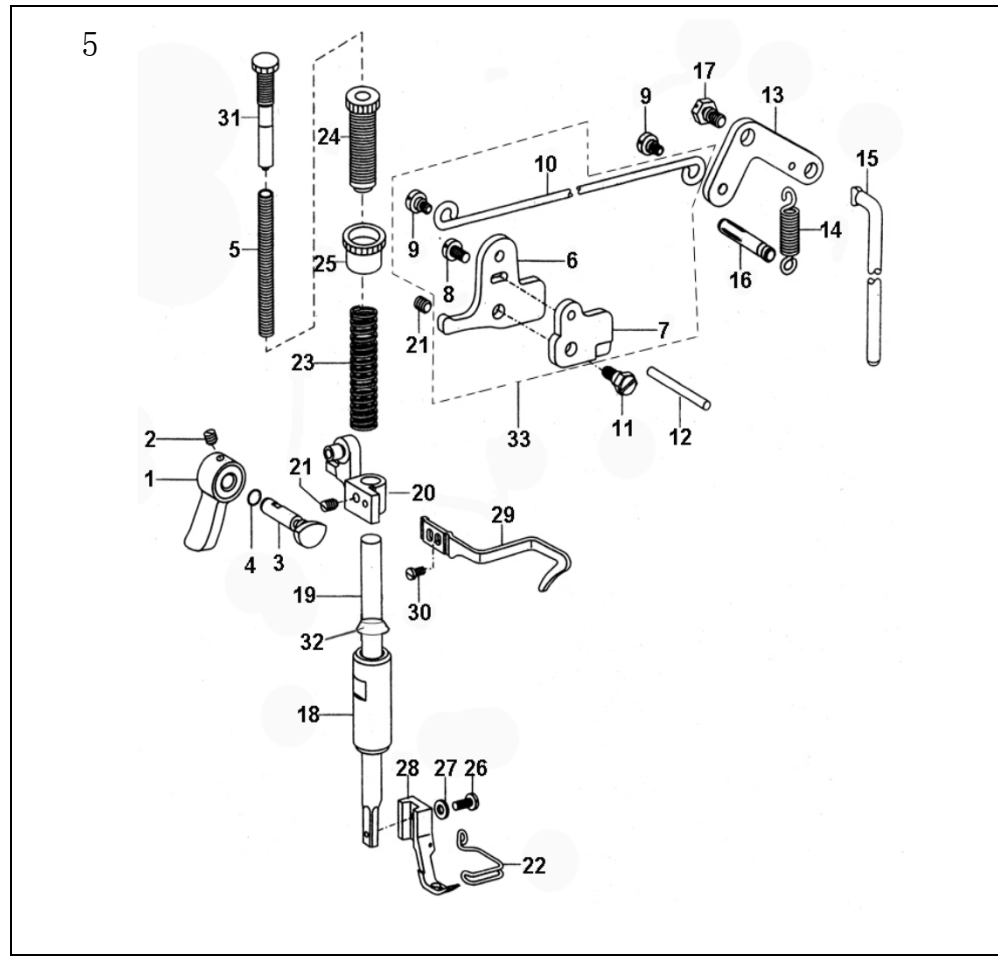
3. 拾牙、送布、勾线部件 Feed Dog Lift And Feed And Thread Looping

序号NO.	公司件号	Part NO.	名称 PartName	零件描述 Description	数量 Number
1	13514001		送布牙	Feed dog	1
2	1350700300		牙架小组件	Feed bar asm	1
3	13528004		垫圈	Washer	1
4	13502005		牙架销	Feed bar shaft	1
5	01511018		螺钉	Screw	2
6	13504003		牙架座	Feed rocker asm.	1
7	01511016		曲柄螺钉	Screw	2
8	01511008		螺钉	Screw	1
9	13502006		送布轴	Feed rocker shaft	1
10	003001		轴用弹性油封15	Retaining ring	2
11	13503008		拾牙、送布轴中轴套	Thrust collar asm.	2
12	13508001		挡圈	Screw	2
13	13515004		螺钉	Screw	4
14	13504004		送布曲柄(右)	Feed rocker shaft crank asm	1
15	13526001		送布曲柄短销	Walking foot pin	1
16	01511025		螺钉	Screw	1
17	06511019		螺钉	Screw	1
18	0818502		板壳	Bobbin	1
19	0818501		板壳	Bobbin	1
20	0818501		板壳	Bobbin	1
21	13515020		板壳	Bobbin	3
22	13502007		下轴	Hook driving shaft	1
23	13520007		下轴油封螺钉	Screw	1
24	11423003		下轴油封	Oil seal	1
25	01512015		下轴油封	Oil seal	1
26	13503009		下轴前轴套	Bushing, front	1
27	13520008		下轴轴套	Oil adjusting screw	1
28	13527005		下轴轴套	Spring	1
29	01508002		下轴轴套	Thrust collar asm.	1
30	01511012		螺钉	Screw	3
31	13503010		下轴轴套	Bushing, rear	1
32	13521001		下轴轴套油管	Oil pipe for hook shaft bushing	1
33	13502008		柱塞	Plunger	1
34	13527006		柱塞簧	Plunger spring	1
35	13512009		挡板	Guide plate	1
36	002004		挡板螺钉弹簧垫圈6	Washer	1
37	13511019		挡板螺钉	Screw	1
38	13502009		拾牙曲柄轴套	Hinge pin	1
39	13504005		拾牙曲柄轴套	Feed lifting rock shaft crank(right)	1
40	13503011		拾牙曲柄轴套	Bushing for feed rock shaft(right)	2
41	13528006		拾牙曲柄轴套	Washer	1
42	13505004		拾牙曲柄轴套	Feed forked connection	1
43	13502010		拾牙曲柄轴套	Rotating hook positioner	1
44	13512010		旋板定位勾	Screw	1
45	01511011		旋板定位勾螺钉	Screw	4
46	13515009		拾牙、下轴轴套螺钉	Screw	1
47	13515006		送布轴套螺钉	Screw	1
48	01511020		拾牙又尖螺钉	Screw	1
49	201511027		拾牙右曲柄螺钉	Screw	2



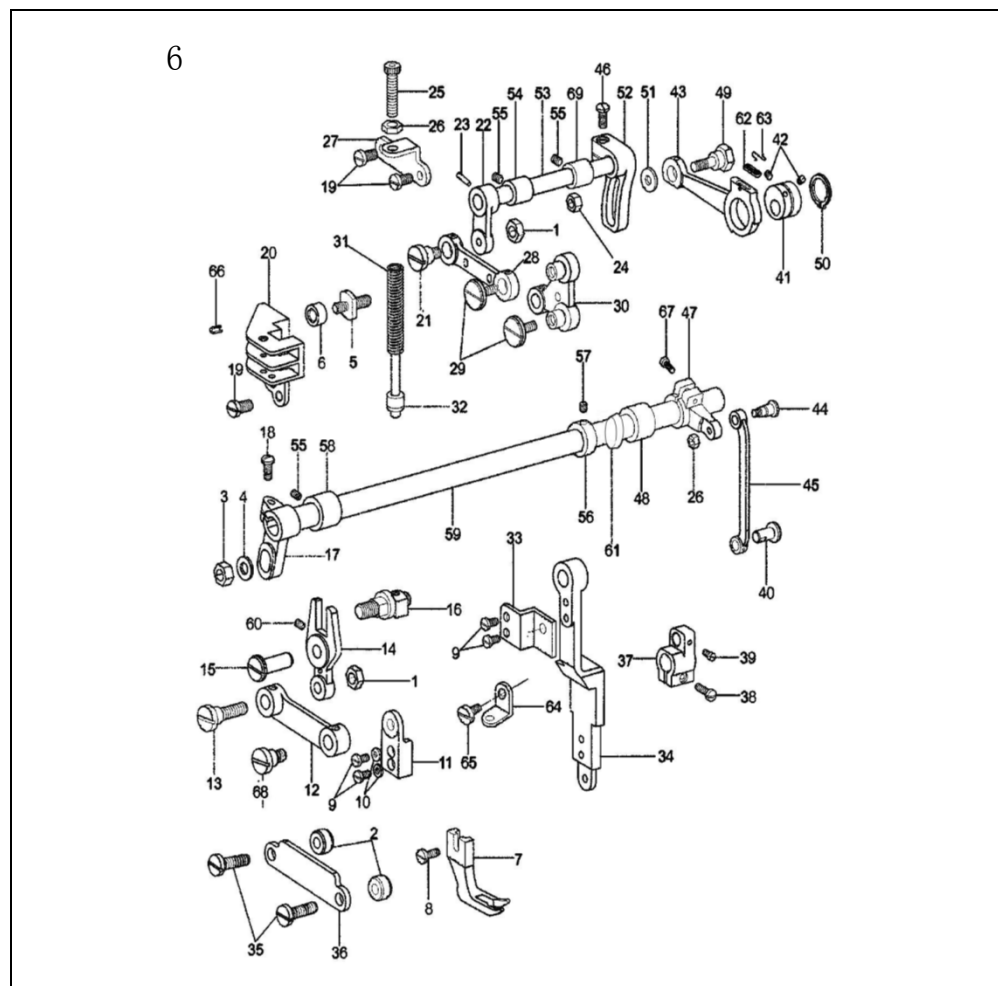
4. 送布调节部件 Feed Mechanism

序号NO.	公司件号	Part NO.	名称 PartName	零件描述 Description	数量 Number
1	13510002		针距调节连接销钉	Hinge pin	1
2	13509003		针距座	Feed regulator	1
3	01511020		针距座长螺钉	Screw	1
4	13511009		针距座短螺钉	Screw	1
5	13503012		针距座衬套	Feed regulator bushing	1
6	13502011		针距座轴	Feed regulator pin for feed regulator	1
7	13522014		橡皮塞(Φ19.5)	Rubber plug(Φ19.5)	1
8	13515009		针距座衬套紧固螺钉	Screw	1
9	13504006		倒缝操作杆曲柄	Slide block pin	1
10	13502012		操作杆曲柄滚柱	Slide block	1
11	13527007		操作杆曲柄簧	Spring for feed crank	1
12	13515014		操作杆曲柄螺钉	Screw	1
13	13513001		倒缝操作杆	Reverse feed lever	1
14	13502013		倒缝操作杆短轴	Reverse feed lever shaft	1
15	001045		O型圈6.3x1.8	O-ring	1
16	13511022		倒缝操作杆紧固螺钉	Screw	1
17	13511009		扳子螺钉	Screw	2
18	13512011		针距调节螺钉	Feed regulator key-press	1
19	13530003		针距调节螺钉	Feed regulator screw bar	1
20	001046		O型圈6.3x2.5	O-ring	1
21	13511002		针距盘	Dial	1
22	101511022		针距盘螺钉	Dial screw	1
23	13526004		针距盘轴	Dial stopper pin	1
24	13527009		针距盘簧	Dial spring for stopper pin	1
25	13526002		止动销	Stopper pin	1
26	13527008		止动销簧	Spring for stopper pin	1
27	13515007		送布凸轮螺钉	Screw	3
28	13510003		送布凸轮	Feed drive eccentric cam.	1
29	13505005		送布连杆	Slider shaft connecting rod	1
30	13505006		针距调节连杆	Feed regulator connecting rod	1
31	13502014		曲柄连杆长销	Walking foot link	1
32	13505007		曲柄长连杆	Walking foot pin	2
33	01511025		送布连杆螺钉	Screw	1
34	13505008		曲柄短连杆	connecting link	2
35	13526003		曲柄短连杆	Walking foot link	1
36	201511012		短连杆销螺钉	Screw	1
37	201511007		连杆偏心轴螺钉	Screw	1
38	13502015		连杆偏心轴	Hinge pin	1
39	13504007		针距调节曲柄	Walking foot adjusting link	1
40	13502016		针距调节曲柄定位销(左)	Adjusting link fulcrum shaft	1
41	06511019		左右定位销螺钉	Screw	1
42	13502017		针距调节曲柄定位销(右)	Adjusting link fulcrum shaft	1
43	13522007		橡皮塞	Rubber plug	1
44	114x11004		左右定位销螺钉	Screw	1



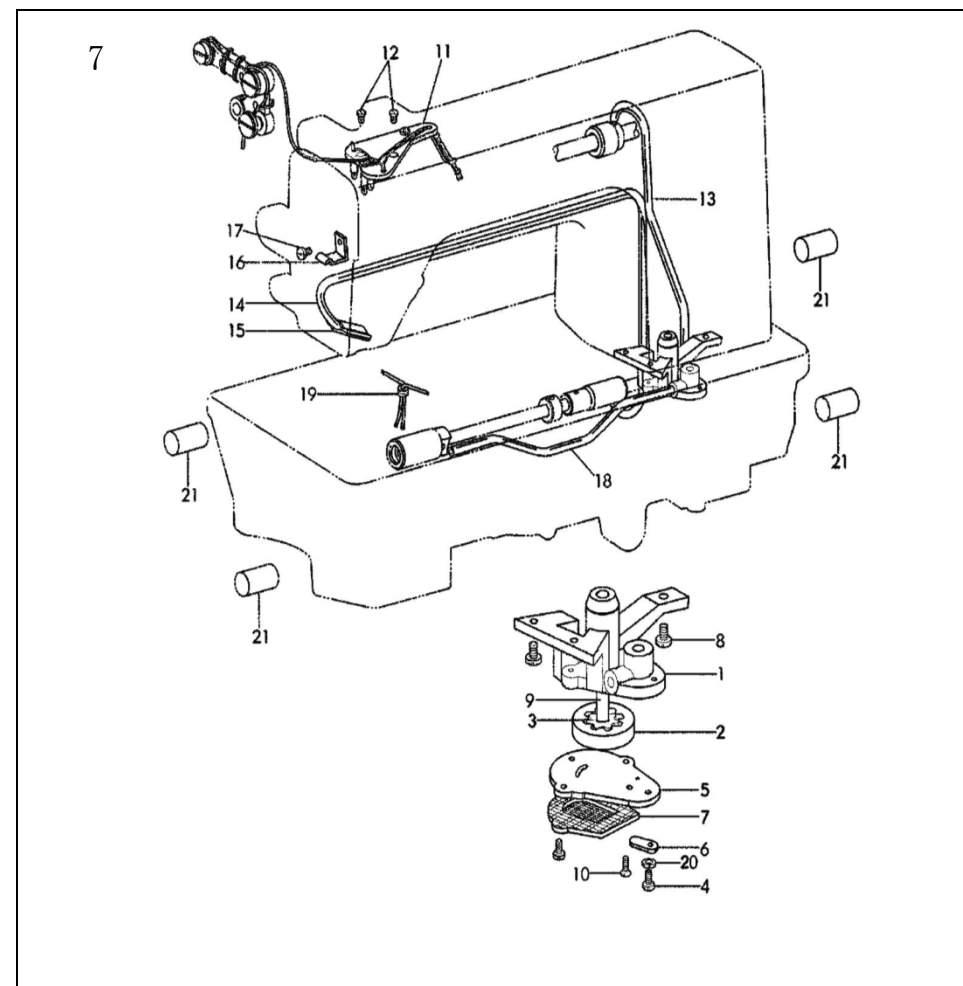
5. 压脚部件 Presser Foot

序号NO.	公司件号	Part NO.	名称PartName	零件描述Description	数量Number
1	13S11005		压脚扳手	Presser bar lifter	1
2	13S11017		压脚提升凸轮	Set screw	1
3	13S10004		压脚提升凸轮	Presser bar lifting cam	1
4	001009		O-环	O-ring	1
5	13S27012		辅助调压弹簧	Presser spring	1
6	13S12013		膝腔提升杆(左)	Knee lifter lever (left)	1
7	13S10005		松线凸轮	Tension releasing cam	1
8	13S11026		膝腔提升杆(左)螺钉	Knee lifter lever (left) screw	1
9	13S11027		铰链螺钉	Hinged screw	2
10	13S12014		膝腔提升杆	Knee lifter rod	1
11	13S11028		松线凸轮螺钉	Tension releasing pin	1
12	13S02018		松线杆	Knee lifter lever (right)	1
13	13S12015		膝腔提升杆(右)弹簧	Presser spring	1
14	13S12016		膝腔提升杆	Knee lifter connecting rod	1
15	13S26005		簧簧销	Pin for spring	1
16	13S12002		膝腔提升杆(右)螺钉	Knee lifter lever (right) screw	1
17	13S03013		压脚轴套	Presser bar bushing	1
18	13S02019		压脚杆	Presser bar	1
20	13S05009		压脚杆导架	Presser bar lifting bracket	1
21	13S115003		压脚杆架螺钉	Set screw	2
22	13S12017		防护勾	Defend tick off	1
23	13S27011		压脚杆弹簧	Presser spring	1
24	13S30004		调压螺钉	Lock nut	1
25	13S116003		调压螺钉锁紧螺母	Set screw	1
26	101S11009		压脚螺钉	Screw	1
27	13S28007		垫圈	Washer	1
28	13S16001		小压脚	Presser foot complete	1
29	13S13012		大线勾	Upper thread guide	1
30	101S11002		大线勾螺钉	Screw	1
31	13S30005		辅助调压螺钉	Auxiliary lock nut	1
32	10122034		压脚轴套	Presser bar bushing	1
33	13S120120		膝腔提升杆(左)组件	Knee lifter lever (left)asm	1



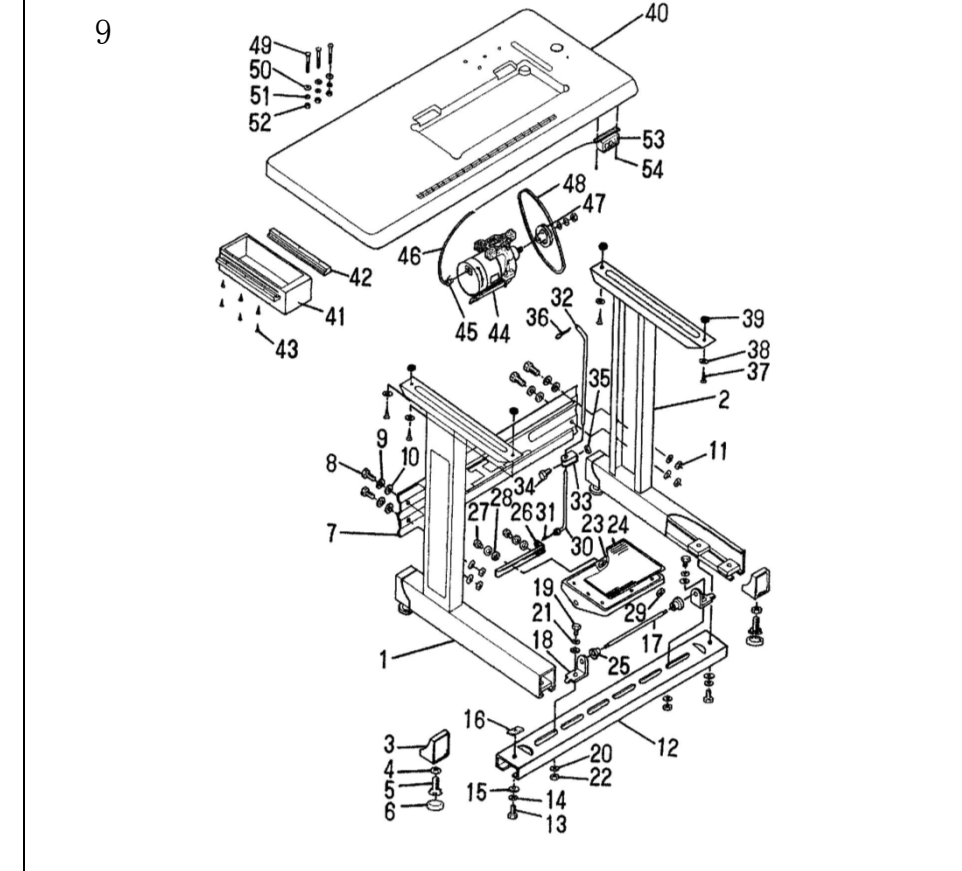
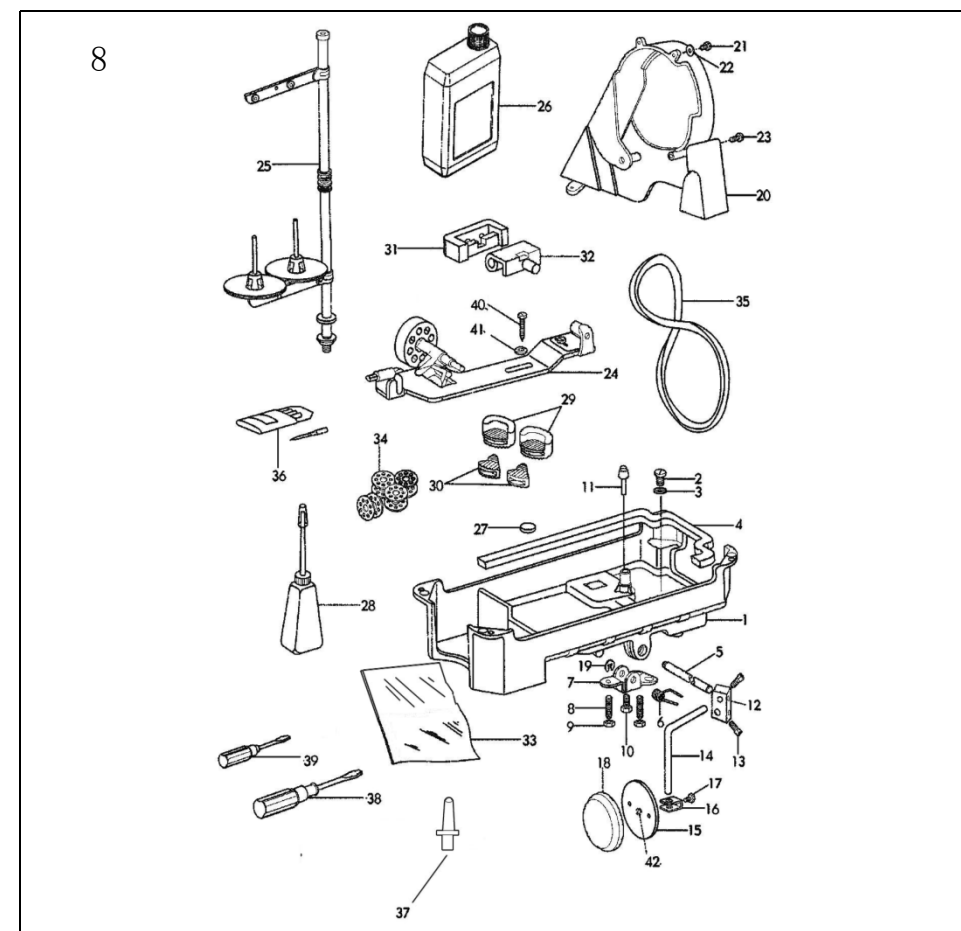
6. 上送料部件 Upper feed Parts

序号NO.	公司件号	Part NO.	名称PartName	零件描述Description	数量Number
1	13S16004		压脚送料变动连接螺母	Nut	2
2	13S08003		压脚送料压板垫块	Shim	1
3	13S16005		压脚送料连接螺母	Nut	1
4	001003		压脚送料连接垫圈	Washer	1
5	13S30006		送料曲柄轴	Shaft	1
6	13S08004		提升压脚柱轴滚柱	Needle of bearing	1
7	13S16002		压脚	Walking foot	1
8	13S11030		压脚螺钉	Screw	1
9	101S1007		压脚送料座螺钉	Screw	4
10	002002		压脚送料座螺钉弹簧垫圈	Washer	2
11	13S01004		压脚送料座	Holder for walking foot bar	1
12	13S05010		压脚送料杆	Link of walking foot	1
13	13S20009		压脚送料变动连接螺钉	Screw	1
14	13S05011		压脚送料叉形杆	Fork lever	1
15	13S26006		压脚送料叉形销	Pin	1
16	13S0202000		压脚送料变动曲柄轴组件	Crank shaft complete	1
17	13S04008		压脚送料前曲柄	Presser swing shaft	1
18	13S11032		前曲柄螺钉	Screw	1
19	101S1008		提升压脚导位板螺钉	Screw	4
20	13S09004		提升压脚导位板	Lifting presser plate	1
21	13S20003		压脚送料曲柄连接螺钉	Screw	1
22	13S04009		压脚升降前曲柄	Presser lifting crank	1
23	P02009		圆锥销	Pin	1
24	002001		六角螺母	Nut	1
25	13S30007		压脚调压螺钉	Lifting presser adjusting screw	1
26	13S16006		压脚调压螺母	Lifting presser adjusting nut	2
27	13S12018		压脚调压螺钉架	Lifting presser bracket for spring	1
28	13S05012		压脚送料曲柄连接杆	Presser feed crank link	1
29	13S11034		压脚送料曲柄螺钉	Screw	2
30	13S04010		压脚送料曲柄	Presser feed crank	1
31	13S27013		压脚调压杆弹簧	Lifting presser spring	1
32	13S0202100		调压杆弹簧导柱	Presser spring guide	1
33	13S01005		提升压脚导位板	Lifting presser guide plate	1
34	13S01006		压脚杆	Presser rod guide	1
35	11611005		提升压脚连接板螺钉	Screw	2
36	13S12019		提升压脚连接板	Lifting presser away crank guide pin	1
37	13S04011		送布轴曲柄(中)	Feed rocker shaft crank asm	1
38	101S1016		送布轴曲柄(中)螺钉	Screw	1
39	101S1025		大送料曲柄连接销钉	Screw	1
40	13S20004		大送料曲柄连接销	Screw	1
41	13S10006		压脚升降偏心轮	Eccentric wheel	1
42	101S1007		螺钉	Eccentric wheel rod	2
43	13S05013		连杆	Screw	1
44	13S20005		压脚送料后曲柄连接螺钉	Screw	1
45	13S05014		压脚送料后曲柄	Presser swing crank(right)rod	1
46	13S11035		偏心送料调节曲柄螺钉	Screw	1
47	13S04012		压脚送料后曲柄	Presser swing crank(right)	1
48	13S03014		压脚送料轴衬套	Presser swing shaft bushing (right)	1
49	13S20006		偏心送料轴衬套	Screw	1
50	002002		C型轴衬套	C-type stop ring	1
51	13S28008		垫圈	Washer	1
52	13S04013		偏心送料调节曲柄	Presser lifting shaft	1
53	13S02022		压脚升降轴	Shaft	1
54	13S03015		压脚提升轴套	Presser lifting shaft bushing	1
55	13S15008		压脚轴套螺钉	Screw	3
56	13S08001		垫圈	Thrust collar asm.	1
57	13S15004		垫圈螺钉	Screw	2
58	13S08006		压脚送料轴衬套	Presser swing shaft bushing (left)	1
59	13S02023		压脚送料轴	Presser swing shaft	1
60	13S15018		压脚送料叉形销螺钉	Screw	1
61	114220080		压脚送料轴衬套	Oil seal	1
62	13S23002		压脚送料轴衬套油毡	Oil felt for needle bar	1
63	13S27015		偏心送料轴衬套	Spring	1
64	13S12020		提升压脚导位架	Lifting presser guide plate	1
65	13S11036		导柱架螺钉	Screw	1
66	P03035		弹性圆柱销	Spring plug	2
67	13S13002		后曲柄螺钉	Screw	1
68	13S20011		压脚送料连接螺钉	Screw	1
69	13S03016		压脚提升轴套	Presser lifting shaft bushing	1



7. 油泵部件 Oil pump and Lubrication mechanism

序号NO.	公司件号	Part NO.	名称PartName	零件描述Description	数量Number
1	13S20001		油泵	Oil pump	1
2	13S20005		大齿轮	Big gear for oil pump	1
3	13S20006		小齿轮	Small gear for oil pump	1
4	13S11037		油泵衬套螺钉	Screw	3
5	13S12003		油泵衬套垫圈	Lower for oil pump	1
6	13S12002		油泵衬套	Adjusting plate for oil pump	1
7	13S120200		油泵衬套组件	Filter complete	1
8	10S11019		油泵衬套螺钉	Screw	3
9	13S60204		油泵轴衬套	Shaft for oil pump	1
10	002002		油泵衬套垫圈	Screw	2
11	13S1202400		油泵衬套板螺钉	Oil felt set plate complete	1
12	10S11010		油泵衬套板螺钉	Screw	2
13	13S1200700		上轴油管组件	Oil pipe complete for upper shaft	1
14	42221001		回油管	Oil return pipe	1
15	13S20003		回油管油毡	Oil felt	1
16	13S12025		回油管夹	Pipe return pipe clamp	1
17	201S1014		回油管螺钉	Screw	1
18	13S2100800		下轴油管组件	Oil pipe for arm shaft	1
19	1042304		油毡	Oil wick	1
20	002002		油泵衬套板螺钉弹簧垫圈	Spring washer	1
21	13S23005		羊毛毡	Oil felt	4



9. 机架、台板、电器分组件 Machine Stand, Table, Electric Appliance Components

序号NO.	公司件号	Part NO.	名称PartName	零件描述Description	数量Number
1	1011204200		边架部件(左)	Stand side asm left	1
2	1011204300		边架部件(右)	Stand side asm right	1
3	1011015		边架座套	Rubber cushion	4
4	N01010		螺母	Nut	4
5	N0130015		调节座	Space ring	4
6	10122029		横档	Stand side support	1
7	10112044		横档	Screw	4
8	E02014		横档连接螺栓	Spring washer	4
9	10128011		垫圈	Washer	8
10	N01010		垫圈	Nut	4
11	N01011		螺母	Nut	4
12	10112045		踏板轴	Treadle brace	1
13	E02014		踏板轴螺栓	Screw	2
14	10128011		垫圈	Spring washer	2
15	N01010		垫圈	Washer	2
16	10112046		踏板轴轴套定位螺母板	Treadle brace locknut plate	2
17	10102013		踏板轴	Treadle shaft	1
18	10112047		踏板轴座	Treadle bracket	2
19	E02014		踏板轴螺栓	Screw	2
20	N01010		垫圈	Washer	4
21	10128011		弹簧垫圈	Spring washer	2
22	N01011		螺母	Nut	2
23	10112048		踏板	Treadle	1
24	1012030		踏板套	Gas Ket	1
25	10102029		踏板衬套	Coller	2
26	10112049		踏板杆	Treadle pitman	1
27	E02015		踏板杆螺栓	Screw	2
28	N01003		垫圈	Washer	4
29	N01012		螺母	Nut	2
30	10112050		下拉杆	Pitman rod, lower	1
31	10127019		拉簧	Spring	1
32	10112051		上拉杆	Pitman rod, lower	1
33	10112052		拉杆接头	Joint	1
34	E02015		拉杆接头螺栓	Joint screw	1
35	N01012		螺母	Nut	1
36	10129001		上拉杆开口销	Pitman rod split pin (upper)	1
37	10130016		台板木螺钉	Table Wood screw	4
38	10128012		垫圈	Table Wood screw washer	4
39	10128013		台板垫圈	Table washer	4
40	10132002		台板	Table	1
41	10111016		抽斗	Drawer	1
42	10111017		抽斗导轨	Drawer rail	2
43	10130017		抽斗导轨木螺钉	Drawer rail wood screw	6
44	10133001		GFC4024型电机	Motor GFC4024 motor	1
45	10130002		电机接线插头	Motor connecting wire plug	1
46	10130003		电机接线	Motor wire	1
47	10135004		电动机带轮	Motor pulley	1
48	10135002		机头传动带	Machine driving belt	1
49	10130018		螺钉	Screw	3
50	10128014		垫圈	Washer	3
51	10128011		弹簧垫圈	Spring washer	3
52	N01011		螺母	Nut	3
53	10130004		电源开关	Power source switch	1
54	10130019		电源开关木螺钉	Power source switch wood screw	2

8. 附件 Oil Reservoir Accessories

序号NO.	公司件号	Part NO.	名称PartName	零件描述Description	数量Number
1	13S01007		油盘	Oil reservoir	1
2	13S11041		放油螺钉	Screw	1
3	001047		放油螺钉垫圈	Washer	1
4	13S23006		油盘垫	Gasket	1
5	13S02025		铰链轴	Hinge pin	1
6	13S27014		弹性复位弹簧	Spring	1
7	13S12026		弹性限位架	Knee lifter stop bracket	1
8	13S15019		弹性限位调节螺钉	Screw	2
9	N01029		调节螺母	Nut	2
10	13S12003		弹性限位架螺钉	Screw	1
11	13S11006		弹性限位架顶杆	Knee lifter prop bar	1
12	10101008		连接器	Connector	1
13	101312003		磁块带杆接头	Magnet rod	2
14	10112028		磁板	Bell	1
15	10112029		磁板	Bell	1
16	10112030		磁板杆接头	Bell bracket	1
17	101312004		螺钉	Screw	1
18	10122024		磁块垫	Pat	1
19	H05011		开口挡圈	Split stop ring	1
20	13S1100700		皮带罩组件	Belt guard complete	1
21	S01002		皮带罩螺钉(小)	Screw(small)	6
22	N01006		皮带罩螺钉垫圈	Washer	2
23	S01011		皮带罩螺钉(大)	Screw(big)	2
24	1163101600		绕线器组件	Thread winder complete	1
25	1013100700		绕线器组件	Spool stand complete	1
26	1011101200		油箱	Oil tank	1
27	10131001		磁块	Magnet	1
28	20131038		小油泵	Oil pot	1
29	10122023		机头防震垫块(大)	Cushion(big)	2
30	10122022		机头防震垫块(小)	Cushion(small)	2
31	10122060		机壳胶套	Rubber coat	2
32	1011202100		机壳胶套	Hing	2
33	40131017		防尘罩	Machine head cover	1
34	10818501		磁芯	Bobbin	1
35	10135002		三角皮带	V-type belt	1
36	13S17001		机针	Needle	4
37	10111011		机头支柱	Frame support bar	1
38	10131003		螺钉起子(中)	Screw driver(middle)	1
39	10131004		螺钉起子(小)	Screw driver(small)	1
40	101S30014		绕线器自攻螺钉	Wood screw	2
41	10128008		绕线器螺钉垫圈	Washer	2
42	10122025		橡胶杆垫	Rubber	1</