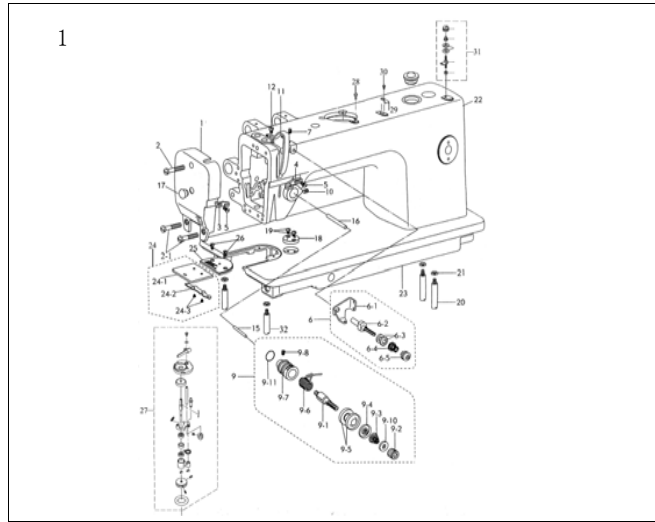


6380E系列

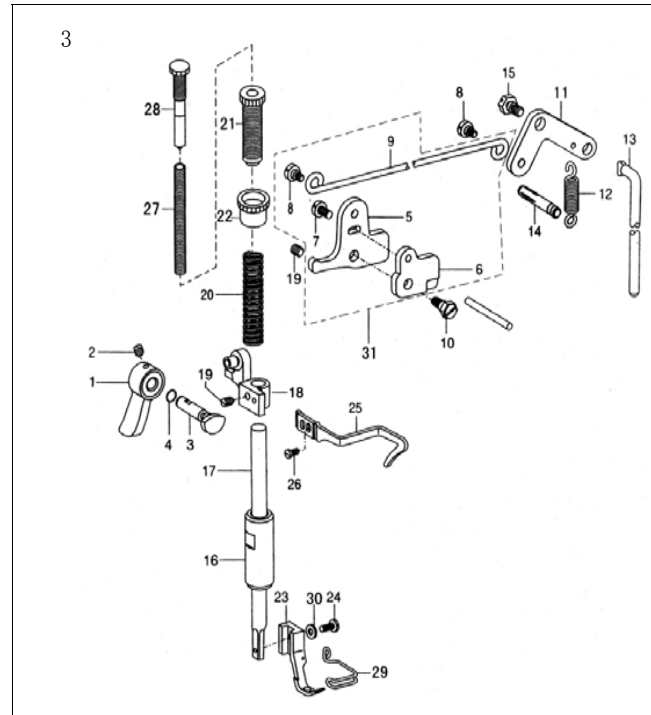
电脑厚料平缝机系列产品 Heavy duty computerized lockstitch sewing machine

零件手册 Parts Manual



2. 上轴挑线组件/Main shaft & thread take-up components

序号NO.	公司件号	Part NO.	名称 PartName	零件描述 Description	数量Number
1	1360310		上轴	Main shaft	1
2	0122012		上轴橡皮塞	Rubber plug	1
3	1350001		上轴领圈	Thrust collar asm.	1
4	13515004		上轴紧固螺钉	Screw	2
5	13603001		上轴前轴套	Main shaft bushing, front	1
6	13503002		上轴中轴套	Brushing, intermediate	1
7	13515006		上轴中套螺钉	Screw	1
8	13603017		上轴后套	Main shaft bushing, back	1
9	13522010		上轴后轴套油封组件	Main shaft	1
10	13603002		后轴套	Shaft bushing	2
11	1350009		平衡配重螺钉	Screw	2
12	1352003		挑线杆组件	Thread take-up asm.	1
13	1352003		挑线杆轴套	Thread take-up crank shaft	1
14	13515009		挑线杆轴套螺钉	Screw	2
15	13504001		平衡配重	Counterweight	1
16	13512001		挑线轴套螺钉	Screw	1
17	13515007		挑线轴套定位螺钉	Screw	1
18	13515004		平衡轴套螺钉	Screw	1
19	13511002		平衡轴套定位螺钉	Screw	1
20	13603006		针杆上衬套	Needle bar metal, upper	1
21	0122013		针杆上衬套橡皮塞 (φ 8.5)	Cap	1
22	13603003		针杆下衬套	Needle bar metal, lower	1
23	1125013		平衡轴	BALANCING WHEEL	1
24	13603002		针杆	Needle bar	1
25	13512011		针杆过线环	Needle bar thread guide	1
26	13512001		机针	Needle	1
27	01511006		机针螺钉	Screw	1
28	13609001		挑线杆槽	Needle bar trough	1
29	1149001		挑线杆头滑块	Slide block	1
30	13511008		挑线杆头螺钉	Screw	2
31	13511008		挑线杆头组件	Needle bar connection asm.	1
31-1	0138002		挑线杆头	Needle bar connection	1
31-2	01511005		挑线杆头螺钉	Screw	1
32	13511009		挑线杆头螺母	Nut	1
33	13603001		挑线轴套	Thread take-up bushing	1
34	13603002		橡皮塞	Rubber plate	1
35	1352003		挑线轴套	Oil felt for needle bar	2
36	1352003		挑线轴套	Screw	2
37	01511010		挑线轴套固定螺钉	Screw	2
38	13603001		挑线轴套	Thread take-up bushing	1
39	13603001		挑线轴套	Thread take-up bushing	1
40	13603001		挑线轴套	Thread take-up bushing	1
41	0150014		开口挡圈	RETAINING RING	1
42	13603001		挑线轴套	Screw	1
43	13603018		挑线轴套	Screw	4
44	1150007		挑线轴套	Screw	4
45	11513001		挑线轴套	Screw	4
46			挑线轴套	Screw	4
47			挑线轴套	Screw	4
48	113514002		挑线轴套	WHEEL-DRIVING WHEEL SCREW	2
49			挑线轴套	Motor (4/11g) (D)	1
51	136030200		挑线轴套		1

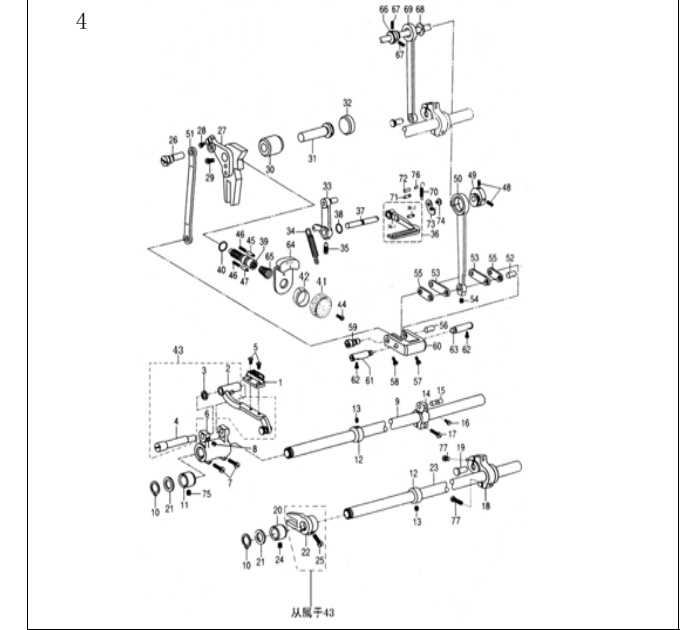


3. 压料组件/Presser bar components

序号NO.	公司件号	Part NO.	名称 PartName	零件描述 Description	数量 Number
1	13511005		压脚扳手	Presser bar lifter	1
2	13515017		压脚扳手螺钉	Set screw	1
3	13510004		压脚提升凸轮	Presser bar lifting cam	1
4	0101009		压脚提升凸轮油封	O-ring	1
5	13512013		压脚提升杆(左)	Presser bar lifter (left)	1
6	13510005		压脚提升杆(左)螺钉	Tension releasing cam	1
7	13511028		压脚提升杆(左)螺钉	Presser bar lifter (left) screw	1
8	13511027		压脚提升杆(左)螺钉	Presser bar lifter (left) screw	1
9	0112013		压脚提升杆(右)	Presser bar lifter (right)	1
10	13511028		压脚提升杆(右)螺钉	Presser bar lifter (right) screw	1
11	13527010		压脚提升杆(右)弹簧	Presser bar lifter (right) spring	1
12	13512016		压脚提升杆(右)螺钉	Presser bar lifter (right) screw	1
13	1352005		压脚提升杆(右)螺钉	Presser bar lifter (right) screw	1
14	13512002		压脚提升杆(右)螺钉	Presser bar lifter (right) screw	1
15	1350013		压脚提升杆(右)螺钉	Presser bar lifter (right) screw	1
16	13502019		压脚提升杆(右)螺钉	Presser bar lifter (right) screw	1
17	13505009		压脚提升杆(右)螺钉	Presser bar lifter (right) screw	1
18	13515003		压脚提升杆(右)螺钉	Presser bar lifter (right) screw	1
19	13527011		压脚提升杆(右)螺钉	Presser bar lifter (right) screw	1
20	13513004		压脚提升杆(右)螺钉	Presser bar lifter (right) screw	1
21	13513003		压脚提升杆(右)螺钉	Presser bar lifter (right) screw	1
22	13513003		压脚提升杆(右)螺钉	Presser bar lifter (right) screw	1
23	13510001		压脚提升杆(右)螺钉	Presser bar lifter (right) screw	1
24	01511009		压脚提升杆(右)螺钉	Presser bar lifter (right) screw	1
25	13513012		压脚提升杆(右)螺钉	Presser bar lifter (right) screw	1
26	01511002		压脚提升杆(右)螺钉	Presser bar lifter (right) screw	1
27	13503005		压脚提升杆(右)螺钉	Presser bar lifter (right) screw	1
28	13527012		压脚提升杆(右)螺钉	Presser bar lifter (right) screw	1
29	13512017		压脚提升杆(右)螺钉	Presser bar lifter (right) screw	1
30	13529007		压脚提升杆(右)螺钉	Presser bar lifter (right) screw	1
31	13512010		压脚提升杆(右)螺钉	Presser bar lifter (right) screw	1

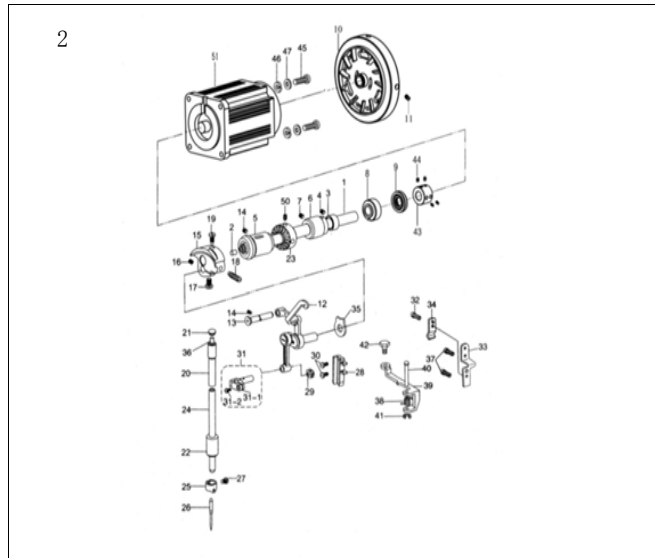
4. 送料组件/Feed mechanism components

序号NO.	公司件号	Part NO.	名称 PartName	零件描述 Description	数量 Number
1	13614001		送料牙	Feed dog	1
2	135070030		送料架	Feed bar asm.	1
3	13529004		送料架螺母	Nut	1
4	13502005		送料架轴套	Feed bar shaft	1
5	13510118		送料架轴套	Screw	2
6	13504003		送料架轴套	Feed roller asm.	1
7	13511018		送料架轴套	Screw	2
8	01511008		送料架轴套	Feed roller shaft	1
9	13603003		送料架轴套	Feed roller shaft	1
10	0101003		送料架轴套	Retaining ring	2
11	13603004		送料架轴套	Bushing for feed rock shaft(right)	1
12	13509001		送料架轴套	Feed roller shaft	1
13	13515004		送料架轴套	Feed roller shaft	1
14	13504004		送料架轴套	Feed roller shaft	1
15	13529001		送料架轴套	Feed roller shaft	1
16	01511025		送料架轴套	Feed roller shaft	1
17	01511019		送料架轴套	Feed roller shaft	1
18	13504005		送料架轴套	Feed roller shaft	1
19	13502009		送料架轴套	Feed roller shaft	1
20	13502005		送料架轴套	Feed roller shaft	1
21	13529006		送料架轴套	Feed roller shaft	1
22	13505004		送料架轴套	Feed roller shaft	1
23	13602004		送料架轴套	Feed roller shaft	1
24	13515009		送料架轴套	Feed roller shaft	1
25	01511029		送料架轴套	Feed roller shaft	1
26	13510002		送料架轴套	Feed roller shaft	1
27	13509003		送料架轴套	Feed roller shaft	1
28	01511029		送料架轴套	Feed roller shaft	1
29	13511009		送料架轴套	Feed roller shaft	1
30	1350012		送料架轴套	Feed roller shaft	1
31	13502011		送料架轴套	Feed roller shaft	1
32	13602014		送料架轴套	Feed roller shaft	1
33	135041009		送料架轴套	Feed roller shaft	1
34	13607008		送料架轴套	Feed roller shaft	1
35	13515014		送料架轴套	Feed roller shaft	1
36	136010050		送料架轴套	Feed roller shaft	1
36-1	13601005		送料架轴套	Feed roller shaft	1
36-2	13608002		送料架轴套	Feed roller shaft	1
37	13602005		送料架轴套	Feed roller shaft	1
38	0101045		送料架轴套	Feed roller shaft	1
39	13503003		送料架轴套	Feed roller shaft	1
40	0101046		送料架轴套	Feed roller shaft	1
41	13511002		送料架轴套	Feed roller shaft	1
42	135070030		送料架轴套	Feed roller shaft	1
43	01511022		送料架轴套	Feed roller shaft	1
44	13529002		送料架轴套	Feed roller shaft	1
45	13527008		送料架轴套	Feed roller shaft	1
46	13529004		送料架轴套	Feed roller shaft	1
47	13515007		送料架轴套	Feed roller shaft	1
48	13510003		送料架轴套	Feed roller shaft	1
49	13505005		送料架轴套	Feed roller shaft	1
50	13505006		送料架轴套	Feed roller shaft	1
51	13502014		送料架轴套	Feed roller shaft	1
52	13502014		送料架轴套	Feed roller shaft	1
53	13505007		送料架轴套	Feed roller shaft	1
54	01511025		送料架轴套	Feed roller shaft	1
55	13505008		送料架轴套	Feed roller shaft	1
56	13529003		送料架轴套	Feed roller shaft	1
57	01511012		送料架轴套	Feed roller shaft	1
58	01511007		送料架轴套	Feed roller shaft	1
59	13502015		送料架轴套	Feed roller shaft	1
60	13504007		送料架轴套	Feed roller shaft	1
61	13502016		送料架轴套	Feed roller shaft	1
62	01511019		送料架轴套	Feed roller shaft	1
63	13502017		送料架轴套	Feed roller shaft	1
64	13512011		送料架轴套	Feed roller shaft	1
65	13527009		送料架轴套	Feed roller shaft	1
66	13510001		送料架轴套	Feed roller shaft	1
67	13515007		送料架轴套	Feed roller shaft	1
68	13529002		送料架轴套	Feed roller shaft	1
69	13504001		送料架轴套	Feed roller shaft	1
70	13607003		送料架轴套	Feed roller shaft	1
71	13609005		送料架轴套	Feed roller shaft	1
72	13529001		送料架轴套	Feed roller shaft	1
73	13612004		送料架轴套	Feed roller shaft	1
74	13603001		送料架轴套	Feed roller shaft	1
75	01511012		送料架轴套	Feed roller shaft	1
76	13510005		送料架轴套	Feed roller shaft	1
77	01511027		送料架轴套	Feed roller shaft	1



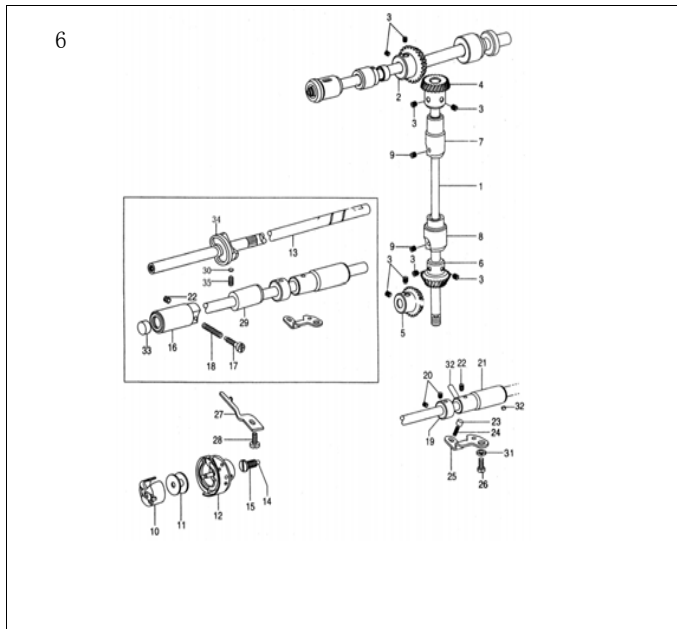
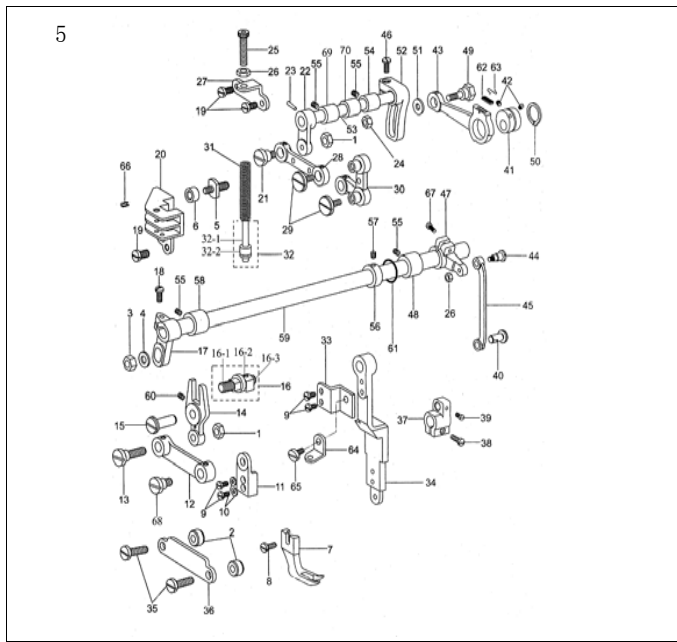
1. 机壳、外装组件/Machine frame & miscellaneous cover components

序号NO.	公司件号	Part NO.	名称 PartName	零件描述 Description	数量 Number
1	13501003		机壳	Press plate asm	1
2	201511025		机壳螺钉	Screw	1
2-1	13511047		机壳螺钉	Screw	2
3	13512003		机壳螺钉	Screw	1
4	13513009		机壳螺钉	Screw	1
5	01511005		机壳螺钉	Screw	2
6	1351300100		机壳螺钉	ROBERTS THREAD TENSIONISM	1
6-1	13512005		机壳螺钉	ROBERTS THREAD TENSIONISM	1
6-2	13503001		机壳螺钉	ROBERTS THREAD TENSIONISM	1
6-3	13513002		机壳螺钉	ROBERTS THREAD TENSIONISM	2
6-4	13627001		机壳螺钉	CONNECTING ROD SPRING	1
6-5	01514016		机壳螺钉	CONNECTING ROD SPRING	1
7	13515001		机壳螺钉	CONNECTING ROD SPRING	1
9	136130040		机壳螺钉	CONNECTING ROD SPRING	1
9-1	13503002		机壳螺钉	CONNECTING ROD SPRING	1
9-2	01514001		机壳螺钉	CONNECTING ROD SPRING	1
9-3	13527002		机壳螺钉	CONNECTING ROD SPRING	1
9-4	13513004		机壳螺钉	CONNECTING ROD SPRING	1
9-5	13513005		机壳螺钉	CONNECTING ROD SPRING	2
9-6	13527003		机壳螺钉	CONNECTING ROD SPRING	1
9-7	13513006		机壳螺钉	CONNECTING ROD SPRING	1
9-8	01511005		机壳螺钉	CONNECTING ROD SPRING	1
9-9	13513008		机壳螺钉	CONNECTING ROD SPRING	1
9-10	0101050		机壳螺钉	CONNECTING ROD SPRING	1
11	13511001		机壳螺钉	CONNECTING ROD SPRING	1
11-1	13512008		机壳螺钉	CONNECTING ROD SPRING	1
12	201511016		机壳螺钉	CONNECTING ROD SPRING	1
15	13613001		机壳螺钉	CONNECTING ROD SPRING	1
16	13613002		机壳螺钉	CONNECTING ROD SPRING	1
17	13522001		机壳螺钉	CONNECTING ROD SPRING	1
18	01012002		机壳螺钉	CONNECTING ROD SPRING	1
19	01511002		机壳螺钉	CONNECTING ROD SPRING	2
20	13522001		机壳螺钉	CONNECTING ROD SPRING	4
21	0102004		机壳螺钉	CONNECTING ROD SPRING	1
21-1	13513002		机壳螺钉	CONNECTING ROD SPRING	1
21-2	13512007		机壳螺钉	CONNECTING ROD SPRING	1
21-3	01511019		机壳螺钉	CONNECTING ROD SPRING	2
22	13513001		机壳螺钉	CONNECTING ROD SPRING	1
28	01511002		机壳螺钉	CONNECTING ROD SPRING	1
27	114110010		机壳螺钉	CONNECTING ROD SPRING	1
28	11411003		机壳螺钉	CONNECTING ROD SPRING	1
29	11419001		机壳螺钉	CONNECTING ROD SPRING	1
30	01011005		机壳螺钉	CONNECTING ROD SPRING	2
31	010130100		机壳螺钉	CONNECTING ROD SPRING	1
32	13503010		机壳螺钉	CONNECTING ROD SPRING	2



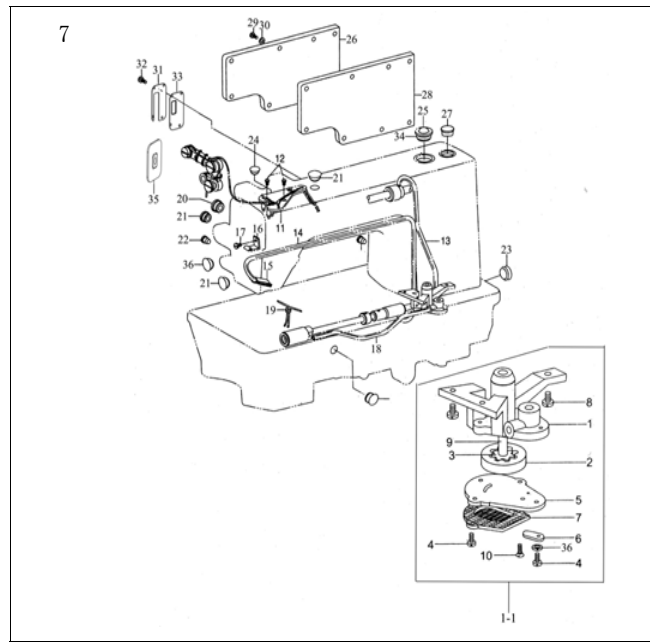
5. 送料组件/Feed mechanism components

序号NO.	公司件号	Part NO.	名称 PartName	零件描述 Description	数量Number
1	13513004		送料架轴套	Nut	2
2	13509003		送料架轴套	Slide	2
3	13513005		送料架轴套	Nut	1
4					



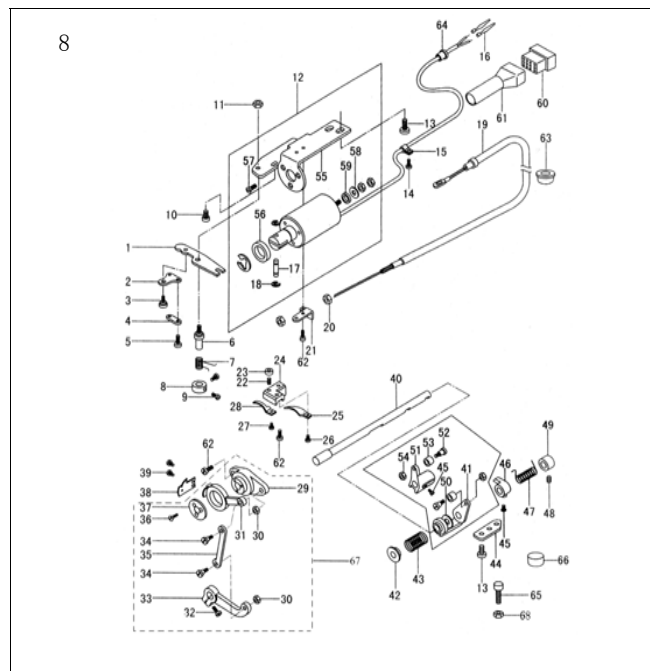
6. 旋梭部件 Hook components

序号NO.	公司件号	Part NO.	名称PartName	零件描述Description	数量Number
1	13502002		弹簧	Spring shaft	1
2	13525001		上轴中齿轮	Gear asm.	1
3	101115007		螺钉	Screw	8
4	13525002		整轴中齿轮 (上)	Gear asm.	1
5	13525003		下轴中齿轮	Pinion asm.	1
6	13525004		整轴中齿轮 (下)	Gear asm.	1
7	13503004		整轴轴套 (上)	Bushing, upper	1
8	13503005		整轴轴套 (下)	Bushing, lower	1
9	135115008		整轴轴套螺钉	Screw	2
10	13618001		梭心附件	Hook asm.	1
11	10818501		梭心	Bobbin	1
12	13618003		梭心附件	Hook asm.	1
13	13602006		下轴	Hook driving shaft	1
14	11423003		下轴油盖	Oil wick	1
15	13502007		下轴油盖螺钉	Screw	1
16	13603008		下轴前轴套	Bushing, front	1
17	13502008		油盖调节螺钉	Oil adjusting screw	1
18	13527005		油盖调节弹簧	Spring	1
19	06108002		下轴衬套	Thrust collar asm.	1
20	061110012		下轴轴套 (左)	Bushing, rear	2
21	13603009		下轴轴套螺钉	Screw	2
22	135115009		柱塞	Plunger	1
23	13527006		柱塞弹簧	Plunger spring	1
24	13512009		导板	Guide plate	1
25	13511019		档板螺钉	Screw	1
26	13612005		旋梭定位钉	Rotating hook positioner	1
27	06111001		下轴中轴套	Bushing, middle	1
28	13603010		切线凸轴螺钉垫片	Washer	2
29	13628003		档板螺钉弹簧垫圈	Washer	1
30	06123004		下轴轴套油管	Oil pipe for hook shaft bushing	1
31	13522001		下轴油封	Plunger	1
32	13610003		切线凸轴	Thread trimmer cam	1
33	13618005		切线凸轴螺钉	Screw	2



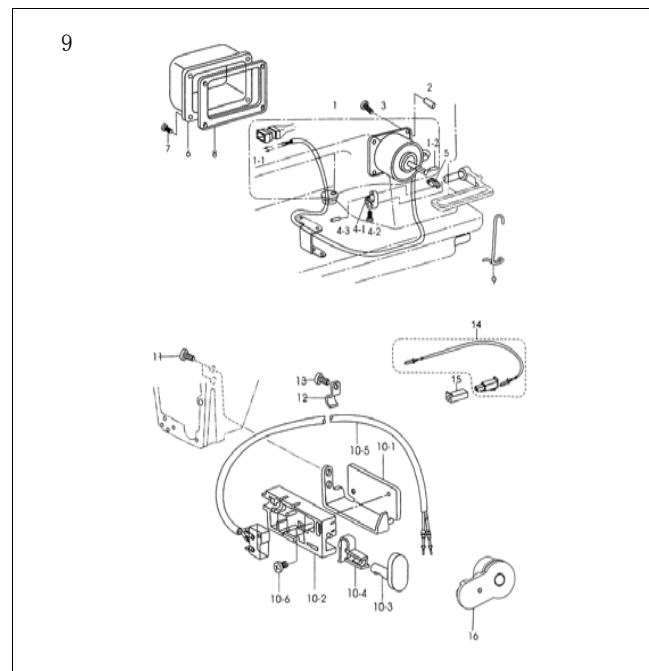
7. 润滑组件 Oil lubrication components

序号NO.	公司件号	Part NO.	名称PartName	零件描述Description	数量Number
1-1	135200200		油泵组件	Oil pump asm	1
1	13520001		油泵体	Oil pump	1
2	13520005		油泵大齿轮	Big gear for oil pump	1
3	13520006		油泵小齿轮	Small gear for oil pump	1
4	135110107		油泵调节螺钉	Screw	3
5	13512001		油泵体盖板	Cover for oil pump	1
6	13512002		油泵体盖板	Adjusting plate for oil pump	1
7	13512002000		油泵滤网组件	Filter complete	1
8	105110109		油泵体螺钉	Screw	3
9	13502024		油泵体轴	Shaft for oil pump	1
10	062021		油泵体盖螺钉	Screw	2
11	135120040		油盖固定板组件	Oil lid set plate complete	1
12	10111010		油盖固定板螺钉	Screw	2
13	135100700		上轴油管组件	Oil pipe complete for upper shaft	1
14	02210001		回油管 Φ3x4	Oil return pipe	1
15	13520003		回油管密封垫	Oil felt	1
16	13512025		回油管夹	Pipe return pipe clamp	1
17	201511014		回油管夹螺钉	Screw	1
18	136100100		下轴油管组件	Oil pipe for ara shaft	1
18-1	13621001		下轴油管	Oil pipe for shaft	1
18-2	13630001		下轴油管接头	Oil wick	01
19	10423004		油花 2.5x20/2.5x20	Oil wick	01
20	13520002		橡胶堵盖 (Φ19)	Rubber plug (Φ19)	1
21	13520002		橡胶堵盖 (Φ11.8)	Rubber plug (Φ11.8)	4
22	13520003		橡胶堵盖 (Φ8.8)	Rubber plug Φ8.8	2
23	13520004		橡胶堵盖 (Φ27)	Rubber plug Φ27	1
24	13520005		橡胶堵盖 (Φ5.7)	Rubber plug Φ5.7	1
25	10110004		油窗	Oil sight window	1
26	13512002		后盖板	Side plate	1
27	13520008		橡胶塞 (Φ25.5)	Rubber plug Φ25.5	1
28	13520006		后盖板密封垫片	Gasket	1
29	113511001		后盖板螺钉	Screw	8
30	10128003		后盖板螺钉垫片	Washer	8
31	13512008		小挡油板	Keep off plate	1
32	101511005		小挡油板螺钉	Screw	4
33	13520011		小挡油板垫	Gasket	1
34	06122019		密封弹簧	Spring	1
35	13520018		后轴衬套	Rubber gasket	1
36	062002		油盖调节螺钉弹簧垫圈	Spring washer	1



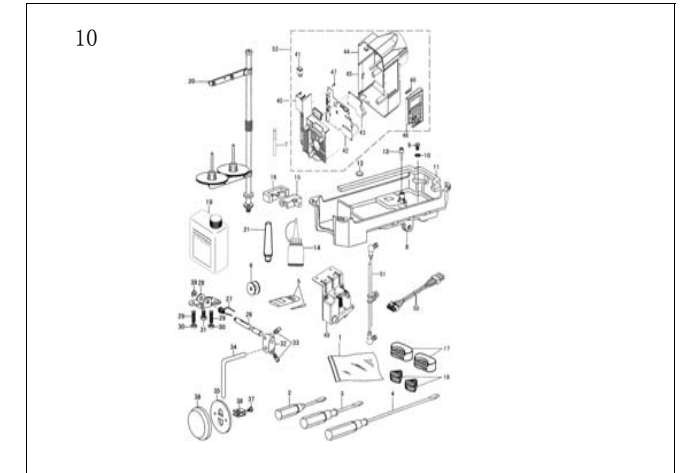
8. 切线装置部件 Thread trimmer components

序号NO.	公司件号	Part NO.	名称PartName	零件描述Description	数量Number
1	13612008		驱动板	Thread trimmer driving lever	1
2	13612007		轴头支撑板	Adapter	1
3	13602001		轴头支撑板螺钉	Screw	1
4	13612009		轴头板	Adapter	1
5	06012005		轴头板螺钉	Screw	2
6	13602007		轴头板轴	Shaft	1
7	13627004		轴头板弹簧	Spring	1
8	06108004		轴头板轴套	Thrust collar asm	1
9	10111005		轴头板轴套螺钉	Screw	2
10	10111020		轴头板轴套垫圈	Screw	1
11	11101005		轴头板轴套	Nut	1
12	136030100		轴头板轴套组件	Thread electromagnet drive assembly	1
13	10111020		轴头板轴套垫圈	Screw	4
14			轴头板轴套	Washer	1
15			轴头板轴套	Cable clip	1
16			轴头板轴套	Plug connector	2
17	13620005		轴头板轴套	Pin	1
18	06012		轴头板轴套	Ring	1
19	136120100		轴头板轴套	Ring	1
20	13611010		轴头板轴套	Washer	2
21	13612009		轴头板轴套	The mounting plate	1
22	136110004		轴头板轴套	轴头板轴套	1
23	136110003		轴头板轴套	轴头板轴套	1
24	13601007		轴头板轴套	轴头板轴套	1
25	13612010		轴头板轴套	轴头板轴套	1
26	10111005		轴头板轴套	轴头板轴套	1
27	136117001		轴头板轴套	轴头板轴套	1
28	13619001		轴头板轴套	轴头板轴套	1
29	02209002		轴头板轴套	轴头板轴套	1
30	02209002		轴头板轴套	轴头板轴套	1
31	13601009		轴头板轴套	轴头板轴套	1
32	10111020		轴头板轴套	轴头板轴套	1
33	13601001		轴头板轴套	轴头板轴套	1
34	13602002		轴头板轴套	轴头板轴套	2
35	13605001		轴头板轴套	轴头板轴套	3
36	022117006		轴头板轴套	轴头板轴套	3
37	13620004		轴头板轴套	轴头板轴套	1
38	13619002		轴头板轴套	轴头板轴套	1
39	136117001		轴头板轴套	轴头板轴套	2
40	13602008		轴头板轴套	轴头板轴套	1
41	13601002		轴头板轴套	轴头板轴套	1
42	13601003		轴头板轴套	轴头板轴套	1
43	13612011		轴头板轴套	轴头板轴套	1
44	13611002		轴头板轴套	轴头板轴套	2
45	13601011		轴头板轴套	轴头板轴套	1
46	13627006		轴头板轴套	轴头板轴套	1
47	10111002		轴头板轴套	轴头板轴套	1
48	13622005		轴头板轴套	轴头板轴套	1
49	02108001		轴头板轴套	轴头板轴套	1
50	13622005		轴头板轴套	轴头板轴套	1
51	13601003		轴头板轴套	轴头板轴套	1
52	13622001		轴头板轴套	轴头板轴套	2
53	13609002		轴头板轴套	轴头板轴套	2
54	136117001		轴头板轴套	轴头板轴套	2
55	13612012		轴头板轴套	轴头板轴套	1
56	13605001		轴头板轴套	轴头板轴套	1
57	136117004		轴头板轴套	轴头板轴套	1
58	13620006		轴头板轴套	轴头板轴套	1
59	13620007		轴头板轴套	轴头板轴套	1
60			轴头板轴套	轴头板轴套	1
61			轴头板轴套	轴头板轴套	1
62	10111020		轴头板轴套	轴头板轴套	4
63	13628011		轴头板轴套	轴头板轴套	1
64	11222001		轴头板轴套	轴头板轴套	1
65	13603002		轴头板轴套	轴头板轴套	1
66	13603008		轴头板轴套	轴头板轴套	1
67	136010000		轴头板轴套	轴头板轴套	1
68	06012002		轴头板轴套	轴头板轴套	1



9. 自动倒送料开关组件 Automatic reverse feed components

序号NO.	公司件号Part NO.	名称PartName	零件描述Description	数量Number	
1	13630050		倒送料电磁铁组件	Backtick electromagnet assembly	1
1-1	13630006		插头	Plug	2
1-2	13630007		倒送料电磁铁连杆	Backtick electromagnet link pin	1
2	13603011		衬套	Wash	4
3	13613005		衬套	Sleeve	4
4	136030100		倒送料电磁铁连杆组件	Backtick electromagnet crank assembly	1
4-1	13603004		倒送料电磁铁连杆	Backtick electromagnet crank	1
4-2	13511002		连杆螺钉	Screw	1
4-3	13620006		倒送料电磁铁连杆轴销	Link pin	1
5	13603002		倒送料电磁铁连杆	Backtick solenoid rod	1
6	13603012		倒送料电磁铁罩	Backtick solenoid cover	1
7	10111011		倒送料电磁铁螺钉	Screw	4
8	13620009		倒送料电磁铁垫圈	Washer	1
9	13627007		倒送料操作杆轴销螺母	Spring hook	1
10	1363000100		倒送料电磁铁开关组件	Switch assembly	1
10-1	13612013		倒送料电磁铁开关安装架	Switch mounting bracket	1
10-2	13613002		倒送料电磁铁开关	Switch block	1
10-3	13613003		倒送料电磁铁开关	Bar switch	1
10-4	13611004		倒送料电磁铁开关附件	Switch contact number	1
10-5	13620002		倒送料电磁铁开关附件	Switch assembly	1
10-6	13611014		倒送料电磁铁开关螺钉	Screw	1
11	10111004		开关安装架螺钉	Screw	1
12			塑料夹	Clamp	3
13	10111002		塑料夹螺钉	Screw	1
14			安全开关	Faty switch	1
15			插头 (2)	Plug	1
16	1362001000		电子集线器	Little bit of most electronic thread clamp device	1



10. 机头附件 Machine head accessories

序号NO.	公司件号	Part NO.	名称PartName	零件描述Description	数量Number
1	10131017		防尘罩	Machine head cover	1
2	10131004		螺钉起子 (小)	Screw driver (small)	1
3	10131003		螺钉起子 (中)	Screw driver (middle)	1
4	10131002		螺钉起子 (大)	Screw driver (large)	1
5	13517001		轴套	Washer	4
6	10110101		梭芯	Bobbin	5
7	11212001		过线柱	Needle bar crank	1
8	13501007		油盘	Oil reservoir	1
9	13511014		洗油螺钉	Screw	1
10	001017		洗油螺钉垫圈	Washer	1
11	13523006		油盘垫圈	Gasket	1
12	13511006		脚踏提升杆	Knee press lifter rod	1
13	10131001		磁块	Magnet	1
14	20131038		小油壶	Oil pot	1
15	10122000		机壳胶圈	Rubber coat	2
16	10110100		机壳胶圈	Ring	2
17	10122002		机壳前盖垫圈 (大)	Emboss (big)	2
18	10122002		机壳前盖垫圈 (小)	Emboss (small)	2
19	101101200		油桶	Oil tank	1
20	101310700		线架组件	Spool stand complete	1
21	10111011		机头支柱	Frame support bar	1
26	13500205		脚踏板轴套	Hinge pin	1
27	13527014		脚踏板复位弹簧	Spring	1
28	13512006		脚踏板限位架	Knee lifter stop bracket	1
29	13511019		脚踏板限位架螺钉	Screw	2
30	001029		调节螺母	Nut	2
31	13512003		脚踏板限位架螺钉	Screw	1
32	10101008		脚踏板限位架螺钉	Connector	1
33	10112003		脚踏板限位架螺钉	Foot rest	2
34	10112002		脚踏板限位架螺钉	Foot rest	1
35	10112009		脚踏板限位架螺钉	Ball	1
36	10112010		脚踏板限位架螺钉	Ball bracket	1
37	10112004		脚踏板限位架螺钉	Screw	1
38	10122024		脚踏板垫圈	Pat	1
39	060511		开口挡圈	Split stop ring	1
40			电热散热器	Heat sink	1
41			电控开关	Electric control switch	1
42			电路板	Circuit board	1
43			小电路板	A small circuit board	1
44			电机罩壳	The motor housings	1
45			侧盖	The side cover	1
46			操作面板	Operation panel	1
47			电路板连接螺钉	Circuit board connecting screws	6
48			电机连接螺钉	Motor connection screws	3
49	13613001		电控脚踏板	Electric control pedal	1
50			电源线	The power cord	1
51			脚踏板轴销	Pedal connecting rod	1
52	136301000		脚踏板电控	Function with electronic	1
53	136300100		脚踏板电控	Machine electric control	1
54</					