

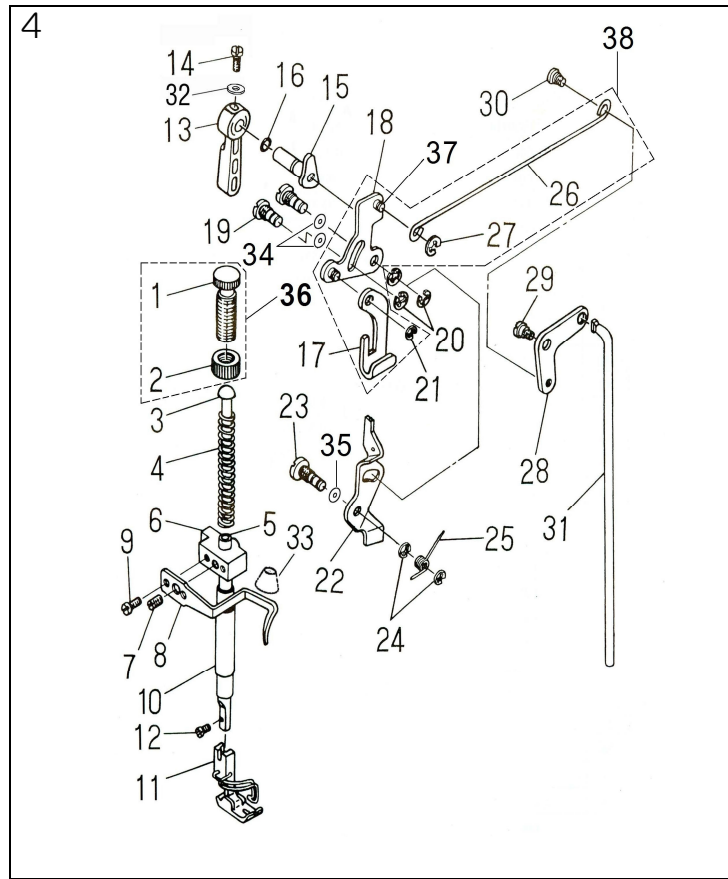
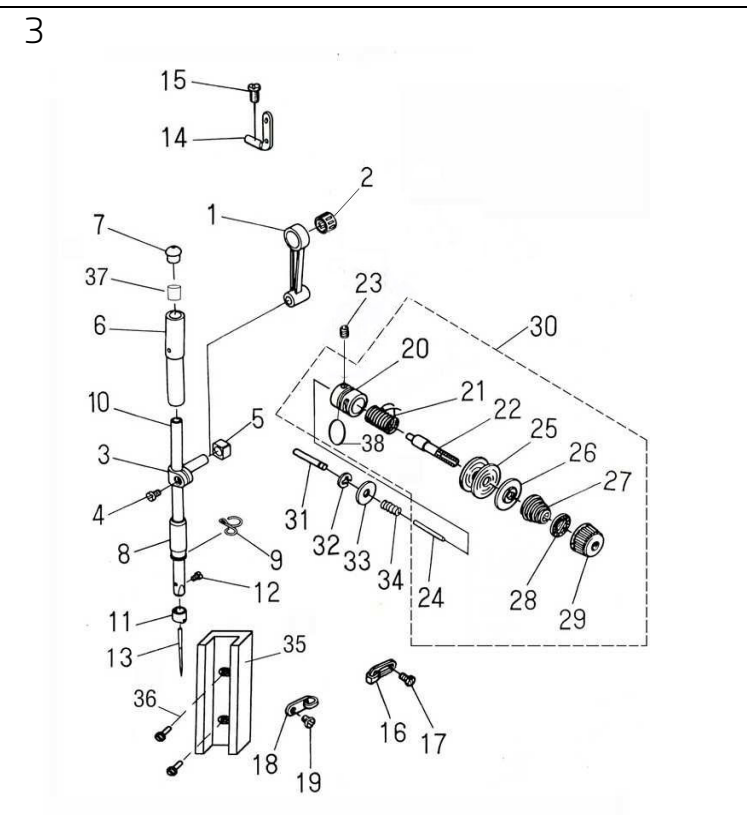
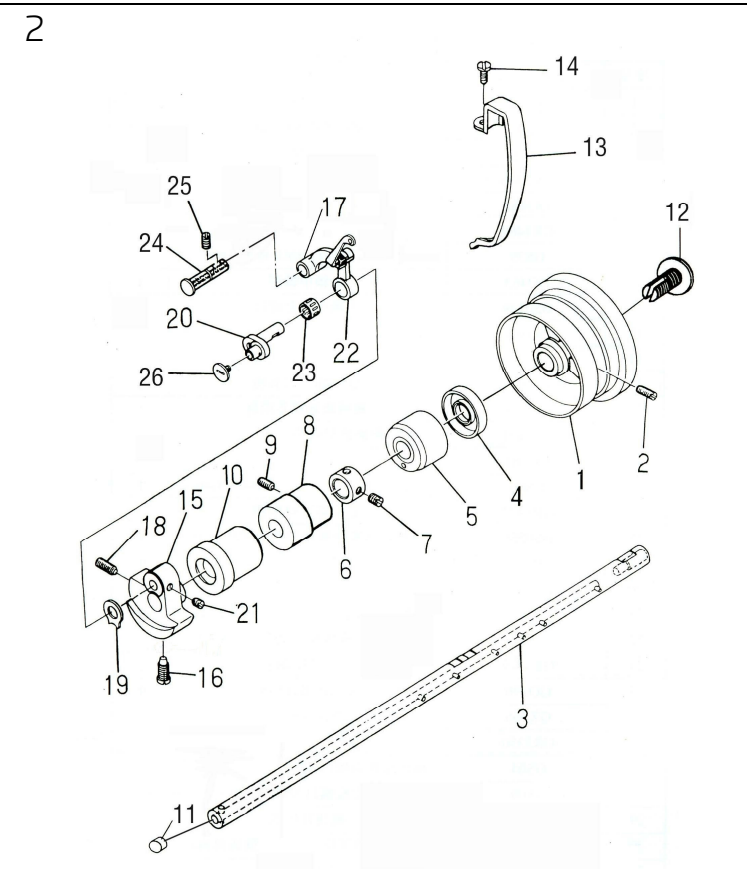
序号 NO.	公司件号 Part No.	名称 Part Name	零件描述 Description	数量 Num.
1	10137001	型号牌	Model plate	1
2	101515006	螺钉 SM15/64*28 L=7	Screw SM15/64*28 L=7	1
3	101512001	底座支柱	Bed screw stud	4
4	302796	K-910085系列侧面板	Side plate	1
4	300096	K-8900系列侧面板	Side plate	1
300097	K-8720/608/609/6090系列侧面板	Side plate	1	
10122059	K-910085系列侧面板	Gasket	1	
10422001	K-8900系列侧面板	Gasket	1	
10322001	K-8720/608/609/6090系列侧面板	Gasket	1	
6	101511001	螺钉 SM3/16*28 L=9	Screw SM3/16*28 L=9	10
300558	K-8900系列侧面板	Face plate arm	1	
7	301741	K-910085/608/609/6090系列侧面板	Face plate arm	1
304019	K-8720系列侧面板	Face plate arm	1	
8	13837002	商标牌	Plate with trademark	1
9	10422002	K-8900系列侧面板	Gasket	1
10122058	K-910085/8720/608/609/6090系列侧面板	Gasket	1	
10151001	螺钉 SM3/16*28 L=9	Screw SM3/16*28 L=9	3	
11	10122003	面板调节孔盖	Rubber plug	2
12	10122004	杆身自锁螺孔盖	Rubber plug	1
13	10122005	送料连杆螺孔盖	Rubber plug	1
10122006	送料连杆螺孔盖	Rubber plug	1	
10122009	K-910085系列送料连杆螺孔盖	Rubber plug	1	
10122017	送料工艺孔盖	Rubber plug	1	

2. 上轴、挑线组件/Main shaft, take-up components

序号 NO.	公司件号 Part No.	名称 Part Name	零件描述 Description	数量 Num.
1	300092	K-8720/8900/6090系列上轮	Hand wheel	1
300453	K-608/609系列上轮	Hand wheel	1	
2	101515001	螺钉 SM15/64*28 L=15	Screw SM15/64*28 L=15	2
10122001	上轴	Main shaft	1	
10122024	K-910085系列上轴	Main shaft	1	
4	10122008	上轴油杯	Main shaft bushing/rear	1
5	10122001	上轴油杯套	Main shaft bushing/rear	1
6	10122001	上轴油杯套	Thrust collar asm.	1
7	101514001	上轴中套套螺母	Nut	2
10403023	K-8720/8900/608/609/6090系列上轴中套套	Brshg.intermediate	1	
12203002	K-910085系列上轴中套套	Brshg.intermediate	1	
9	101515006	螺钉 SM15/64*28 L=7	Screw SM15/64*28 L=7	1
10	101E+09	上轴前套分零件	Main shaft bushing front asm.	1
11	10122012	上轴孔盖	Rubber plug	1
12	101515001	螺钉 SM15/64*24 L=14	Screw SM15/64*24 L=14	1
300095	挑线杆护罩	Thread takeup lever cover	1	
300611	K-910085/608/609系列挑线杆护罩	Thread takeup lever cover	1	
10151004	螺钉 SM3/16*28 L=7	Screw SM3/16*28 L=7	1	
10140401	K-910085/910085-7/8900/8720/6090系列平衡重	Counterweight	1	
10404035	K-910085/8900H/8720H/608/609系列平衡重	Counterweight (H)	1	
10151003	螺钉 SM3/16*28 L=16	Screw SM3/16*28 L=16	1	
17	10151001	挑线杆(厚料)	Thread takeup lever(H)	1
10151006	挑线杆(薄料)	Thread takeup lever	1	
101515004	螺钉 SM3/16*28 L=16	Screw SM3/16*28 L=16	1	
19	10122003	杆身自锁护罩	Counterweight protecting plate	1
101E+09	K-8900/8720/6090系列平衡重	Needle bar crank asm.	1	
101E+09	K-910085/8900H/8720H/608/609系列平衡重	Needle bar crank asm. (H)	1	
10131002	K-910085/910085-7系列平衡重	Needle bar crank asm.	1	
21	101515002	螺钉 SM1/4*40 L=6	Screw SM1/4*40 L=6	2
101E+09	K-6090挑线杆分零件	Thread takeup lever asm.	1	
1234E+09	K-608/609挑线杆分零件	Thread takeup lever asm. (H)	1	
134E+09	K-910085/8900H/8720H/910085-7挑线杆分零件	Thread takeup lever asm. (H)	1	
1384E+09	K-8720/8900/910085挑线杆分零件	Thread takeup lever asm.	1	
23	10124001	挑线杆衬套	Needle bearing	1
10126001	挑线杆衬套(厚料)	Thread takeup crank shaft (H)	1	
10126010	挑线杆衬套(薄料)	Thread takeup crank shaft	1	
10126019	挑线杆衬套(薄料)	Thread takeup crank shaft	1	
25	101515001	螺钉 SM15/64*28 L=15	Screw SM15/64*28 L=15	1
101517001	螺钉 SM3/16*40 L=6	Screw SM3/16*40 L=6	1	

3. 杆、夹线组件/Needle bar, thread tension components

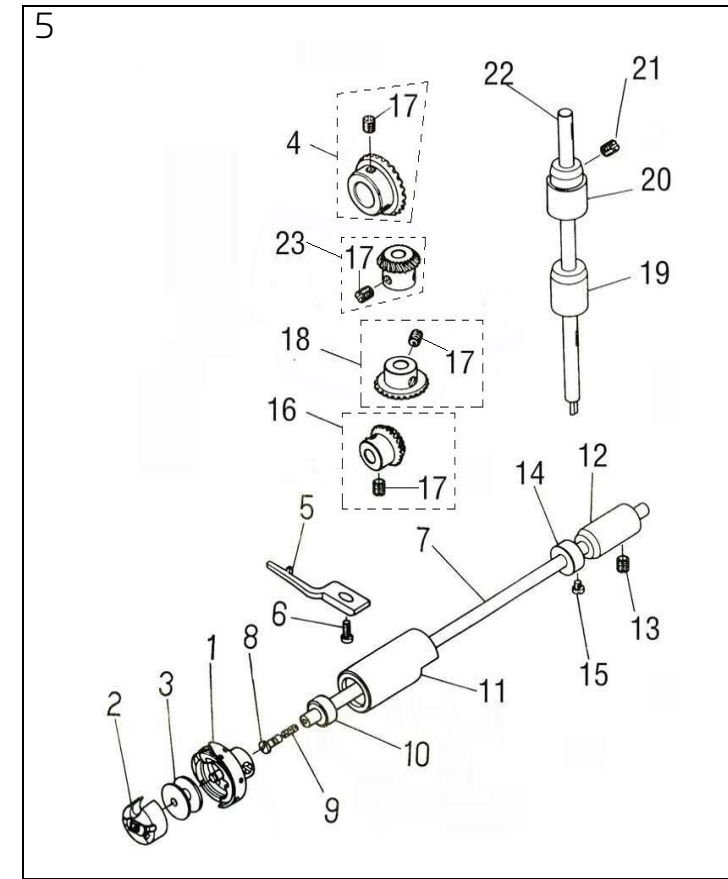
序号 NO.	公司件号 Part No.	名称 Part Name	零件描述 Description	数量 Num.
1	101515002	杆身衬套	Needle bar crank rod	1
2	10124001	挑线杆衬套	Needle bearing	1
3	10138002	杆身衬套	Needle bar connection asm.	1
4	101515005	螺钉 SM3/16*40 L=6	Screw SM3/16*40 L=6	1
5	10129001	杆身衬套	Needle bar bushing	1
6	10133009	杆身衬套	Needle bar bushing,upper	1
7	10122013	杆身衬套盖	Cap	1
8	10133010	K-910085/910085-7/8900/8720/6090系列杆身衬套	Needle bar bushing,lower	1
10133023	K-910085/8900H/8720H/608/609系列杆身衬套	Needle bar bushing,lower (H)	1	
10430001	K-910085/910085-7/8900/8720/6090系列杆身衬套	Needle bar thread guide	1	
10133005	K-910085/8900H/8720H/608/609系列杆身衬套	Needle bar thread guide (H)	1	
10122002	K-910085/910085-7/8900/8720/6090系列杆身衬套	Needle bar	1	
10122012	K-910085/8900H/8720H/608/609系列杆身衬套	Needle bar (H)	1	
10130002	K-910085/910085-7/8900/8720/6090系列杆身衬套	Needle bar thread guide	1	
10430063	K-910085/8900H/8720H/608/609系列杆身衬套	Needle bar thread guide (H)	1	
12	10151006	螺钉 SM1/8*44 L=4.5	Screw SM1/8*44 L=4.5	1
1017001	K-910085/910085-7/8900/8720/6090系列杆身衬套	Needle	1	
1017002	K-8900系列杆身衬套	Needle (H)	1	
10133003	二眼线钩	Twohole thread eyelet	1	
10151004	螺钉 SM3/16*28 L=7	Screw SM3/16*28 L=7	1	
10130004	杆身衬套	Frame thread guide/right	1	
17	10151007	螺钉 SM1/4*40 L=6	Screw SM1/4*40 L=6	1
18	10133005	左线钩	Frame thread guide/left	1
19	10151007	螺钉 SM1/4*40 L=6	Screw SM1/4*40 L=6	1
20	10133011	挑线杆调节片	Tension post socket	1
21	10127001	挑线簧	Takeup spring	1
22	101530002	挑线簧	Screw SM1/4*40 L=17.5	1
23	101515005	螺钉 SM3/16*40 L=5.5	Screw SM3/16*40 L=5.5	1
24	10126002	挑线钩	Thread release pin	1



4. 压杆组件/Presser bar components

序号 NO.	公司件号 Part No.	名称 Part Name	零件描述 Description	数量 Num.
1	101530004	K-8900调压螺钉	Presser spring regulator	1
1017034	K-890085调压螺钉	Presser spring regulator	1	
10181027	K-8720调压螺钉	Presser spring regulator	1	
101515002	K-8900调压螺母	Nut	1	
1017036	K-910085调压螺母	Nut	1	
10181028	K-8720调压螺母	Nut	1	
3	10122003	调压导杆	Presser guide bar	1
10127023	K-8720/8900/6090调压簧	Presser spring	1	
10427033	K-910085系列/8900H/8720H/608/609调压簧	Presser spring	1	
5	10120004	压杆	Presser bar	1
10409001	K-8720压杆导套	Needle bar guide bracket	1	
6	13809030	K-910085压杆导套	Needle bar guide bracket	1
7	101515007	螺钉 SM1/4*40 L=8	Screw SM1/4*40 L=8	1
10413003	挑线杆护罩	Thread takeup lever cover	1	
9	10151005	螺钉 SM3/16*40 L=6	Screw SM3/16*40 L=6	2
10133005	压杆衬套	Presser bar bushing/upper	1	
11	1132E+09	K-910085/910085-7/8900/8720/6090系列压脚	Presser foot asm.	1
1132E+09	K-910085/8900H/8720H/608/609系列压脚	Presser foot asm. (H)	1	
12	10151009	螺钉 SM3/16*40 L=10.5	Screw SM3/16*40 L=10.5	1
13	1017028	K-910085压脚垫圈	Hand lifter	1
10181029	K-8720压脚垫圈	Hand lifter	1	
14	10151010	螺钉 SM3/16*40 L=11	Screw SM3/16*40 L=11	1
15	101E+09	压脚垫圈衬套	Hand lifter cam asm.	1
16	101E+09	压脚垫圈衬套	Hand lifter cam asm. (H)	1
17	10121010	压脚垫圈衬套	Hand lifter cam asm.	1
18	1017001	压脚垫圈衬套	Hand lifter cam asm.	1
19	10151007	螺钉 SM1/4*40 L=6	Screw SM1/4*40 L=6	2
20	10122015	压脚垫圈衬套	Bushing,upper	1
21	10151005	压脚垫圈衬套	Lifting lever ring	1
22	10121012	压脚垫圈衬套	Tension release shaft	1
23	101510002	压脚垫圈衬套	Tension release shaft SM3/16*40 L=5.5	1
24	10122002	压脚垫圈衬套	Snap ring	2
25	10127008	压脚垫圈衬套	Tension release return spring	1
26	10121013	压脚垫圈衬套	Lifting lever connecting rod	1
27	10151003	压脚垫圈衬套	Snap ring	1
28	10121014	压脚垫圈衬套	Knee lifter back lever	1
29	101510003	压脚垫圈衬套	Hinge screw SM15/64*28 L=6.4	1
30	101510004	压脚垫圈衬套	Hinge screw SM3/16*32 L=5	1
31	10121015	压脚垫圈衬套	Connecting rod vertical	1
32	10128002	压脚垫圈衬套	Washer	1
33	10122022	压脚垫圈衬套	Pressure bar oil cover	1
34	10128015	压脚垫圈衬套	Washer	2
35	10128015	压脚垫圈衬套	Washer	1
101E+09	K-8900调压杆组件	Presser spring regulator asm.	1	
1013027	K-910085调压杆组件	Presser spring regulator asm.	1	
138E+09	K-8720调压杆组件	Presser spring regulator asm.	1	
37	10126005	压脚垫圈衬套	Presser foot lifting lever shaft	2
38	101E+09	压脚垫圈衬套	Hand lifter link asm.	1

25	10120005	挑线钩	Tension disc	2
26	10120006	挑线钩	Tension disc holder	1
27	10127002	挑线钩	Tension spring	1
28	10120007	挑线钩	Tension disc stopper	1
29	101516013	挑线钩	Tension nut SM1/4*40 L=10	1
30	400001	K-8900挑线钩	Thread tension asm.	1
400044	K-8900挑线钩	Thread tension asm.(H)	1	
400527	K-910085/8720H/608/609挑线钩	Thread tension asm.(H)	1	
400507	K-910085/910085-7/8720/6090挑线钩	Thread tension asm.	1	
31	10126003	挑线钩	Tension release supporting pin	1
32	10126003	挑线钩	Snap ring	1
33	10128001	挑线钩	Washer plate	1
34	10127003	挑线钩	Tension release pin spring	1
35	10129002	挑线钩	Needle bar trough	1
36	10151008	螺钉 SM1/4*40 L=8	Screw SM1/4*40 L=8	2
37	10128002	挑线钩	Oil left for needle bar	1
38	10122014	挑线钩	Rubber ring	1



5. 勾线组件/Hook driving shaft components

序号 NO.	公司件号 Part No.	名称 Part Name	零件描述 Description	数量 Num.
1	1018007	K-910085/8720H/8900H/608系列钩	Hook asm. (H)	1
1018006	K-910085/910085-7/6090/8720/8900系列钩	Hook asm.	1	
1018001	K-609大钩	Hook asm. (H)	1	
1018002	钩壳	Bobbin case asm.	1	
1018003	K-609钩壳	Bobbin case asm.	1	
1018001	609大钩	Bobbin	1	
10425004	上轴全齿轮	Gear asm.	1	
10425004	上轴全齿轮	Gear asm.	1	
10121016	定位指	Positioning finger	1	
10121021	K-910085/8720H/8900H/608/609系列定位指	Positioning finger (H)	1	
7	10151007	螺钉 SM1/4*40 L=9.5	Screw SM1/4*40 L=9.5	1
10120006	下轴	Hook driving shaft	1	
10202003	K-609下轴	Hook driving shaft	1	
10130005	螺钉 SM3/16*32 L=13	Screw SM3/16*32 L=13	1	
10123003	下轴油杯	Oil wick	1	
10121015	下轴油杯套	Oil wick	2	
10121016	下轴油杯套	Oil wick	2	
10121017	下轴油杯套	Oil wick	2	
10121018	下轴油杯套	Oil wick	2	
10121019	下轴油杯套	Oil wick	2	
10121020	下轴油杯套	Oil wick	2	
10121021	下轴油杯套	Oil wick	2	
10121022	下轴油杯套	Oil wick	2	
10121023	下轴油杯套	Oil wick	2	
10121024	下轴油杯套	Oil wick	2	
10121025	下轴油杯套	Oil wick	2	
10121026	下轴油杯套	Oil wick	2	
10121027	下轴油杯套	Oil wick	2	
10121028	下轴油杯套	Oil wick	2	
10121029	下轴油杯套	Oil wick	2	
10121030	下轴油杯套	Oil wick	2	
10121031	下轴油杯套	Oil wick	2	
10121032	下轴油杯套	Oil wick	2	
10121033	下轴油杯套	Oil wick	2	
10121034	下轴油杯套	Oil wick	2	
10121035	下轴油杯套	Oil wick	2	
10121036	下轴油杯套	Oil wick	2	
10121037	下轴油杯套	Oil wick	2	
10121038	下轴油杯套	Oil wick	2	
10121039	下轴油杯套	Oil wick	2	
10121040	下轴油杯套	Oil wick	2	
10121041	下轴油杯套	Oil wick	2	
10121042	下轴油杯套	Oil wick	2	
10121043	下轴油杯套	Oil wick	2	
10121044	下轴油杯套	Oil wick	2	
10121045	下轴油杯套	Oil wick	2	
10121046	下轴油杯套	Oil wick	2	
10121047	下轴油杯套	Oil wick	2	
10121048	下轴油杯套	Oil wick	2	
10121049	下轴油杯套	Oil wick	2	
10121050	下轴油杯套	Oil wick	2	
10121051	下轴油杯套	Oil wick	2	
10121052	下轴油杯套	Oil wick	2	
10121053	下轴油杯套	Oil wick	2	
10121054	下轴油杯套	Oil wick	2	
10121055	下轴油杯套	Oil wick	2	
10121056	下轴油杯套	Oil wick	2	
10121057	下轴油杯套	Oil wick	2	
10121058	下轴油杯套</			

