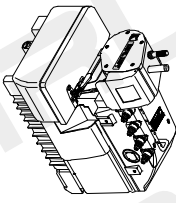
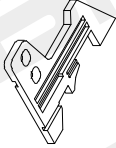
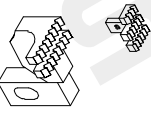
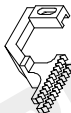








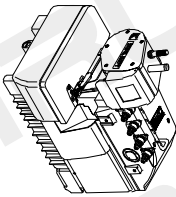
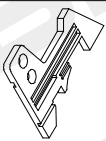
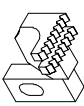



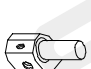





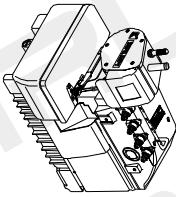
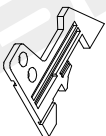
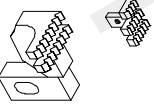


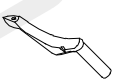
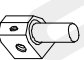



DTF拷克車規格件表 / CONVERSION CHART

機 型 MODEL	針板 NEEDLE PLATE	送 具 FEED DOG	送 具 FEED DOG	送 具 FEED DOG	押 具 PRESSER FOOT	勾 針 LOOPER	針 留 NEEDLE CLAMP	束 子 COLLER	衝 程 CRANK	衝 程 CRANK	針 號 NEEDLE
											
747DF-T-514H4-24	E919	D440	D095	H445	D453	LP38	KG142-E	KJ13F	TF157-A	KJ11B	DCX27#9*2
747DF-T-514H4-24/GB	E919	D440	D095	H445	D453	LP38	KG142-E	KJ13F	TF157-A	KJ11B	DCX27#9*2
747DF-T-514H4-24/GB/P	E919	D440	D095	H445	D453	LP38	KG142-E	KJ13F	TF157-A	KJ11B	DCX27#9*2
747DF-T-514M2-24	E919	D440	D095	H445	D453	LP38	KG142-E	KJ13F	TF157-A	KJ11B	DCX27#9*2
747DF-T-514M2-24/DT	E919C	D440	D095	H445	D453	LP38	KG142-E	KJ13F	TF157-A	KJ11B	DCX27#9*2
757DF-T-516H4-35	E861	D489	D502	H497	D469	LP38	KG153-E	KJ13F	TF157-A	KJ11B	DCX27#14*2
757DF-T-516H4-35/GB	E861	D489	D502	H497	D469	LP38	KG153-E	KJ13F	TF157-A	KJ11B	DCX27#14*2
757DF-T-516H4-35/GB/P	E861	D489	D502	H497	D469	LP38	KG153-E	KJ13F	TF157-A	KJ11B	DCX27#14*2
757DF-T-516H4-56	E866	D489	D502	H500	D469	LP38	KG155-E	KJ13F	TF157-A	KJ11B	DCX27#14*2
757DF-T-516H4-56/GB	E866	D489	D502	H500	D469	LP38	KG155-E	KJ13F	TF157-A	KJ11B	DCX27#14*2
757DF-T-516M2-35	E861	D489	D502	H497	D469	LP38	KG153-E	KJ13F	TF157-A	KJ11B	DCX27#18*2
757DF-T-516M2-35/DT	E861C	D489	D502	H497	D469	LP38	KG153-E	KJ13F	TF157-A	KJ11B	DCX27#18*2
757DF-T-516M2-56	E866	D489	D502	H500	D469	LP38	KG155-E	KJ13F	TF157-A	KJ11B	DCX27#14*2
757DF-T-516M2-56/DT	E866C	D489	D502	H500	D469	LP38	KG155-E	KJ13F	TF157-A	KJ11B	DCX27#14*2
747DRT-514M2-24	E919	D440	D095	H445	D070	LP38	KG142-E	KJ13F	TF157-A	KJ11B	DCX27#9*2
747DRT-514M2-24/DT	E919C	D440	D095	H445	D070	LP38	KG142-E	KJ13F	TF157-A	KJ11B	DCX27#9*2
757DRT-516M2-56	E129	D066	D067	H500	D064	LP38	KG155-E	KJ13F	TF157-A	KJ11B	DCX27#14*2
757DRT-516M2-56/DT	E129C	D066	D067	H500	D064	LP38	KG155-E	KJ13F	TF157-A	KJ11B	DCX27#14*2
757DRT-516M2-35	E169	D066	D067	H497	D064	LP38	KG153-E	KJ13F	TF157-A	KJ11B	DCX27#14*2
757DRT-516M2-35/DT	E169C	D066	D067	H497	D064	LP38	KG153-E	KJ13F	TF157-A	KJ11B	DCX27#14*2

TF 拷克車規格件表 / CONVERSION CHART

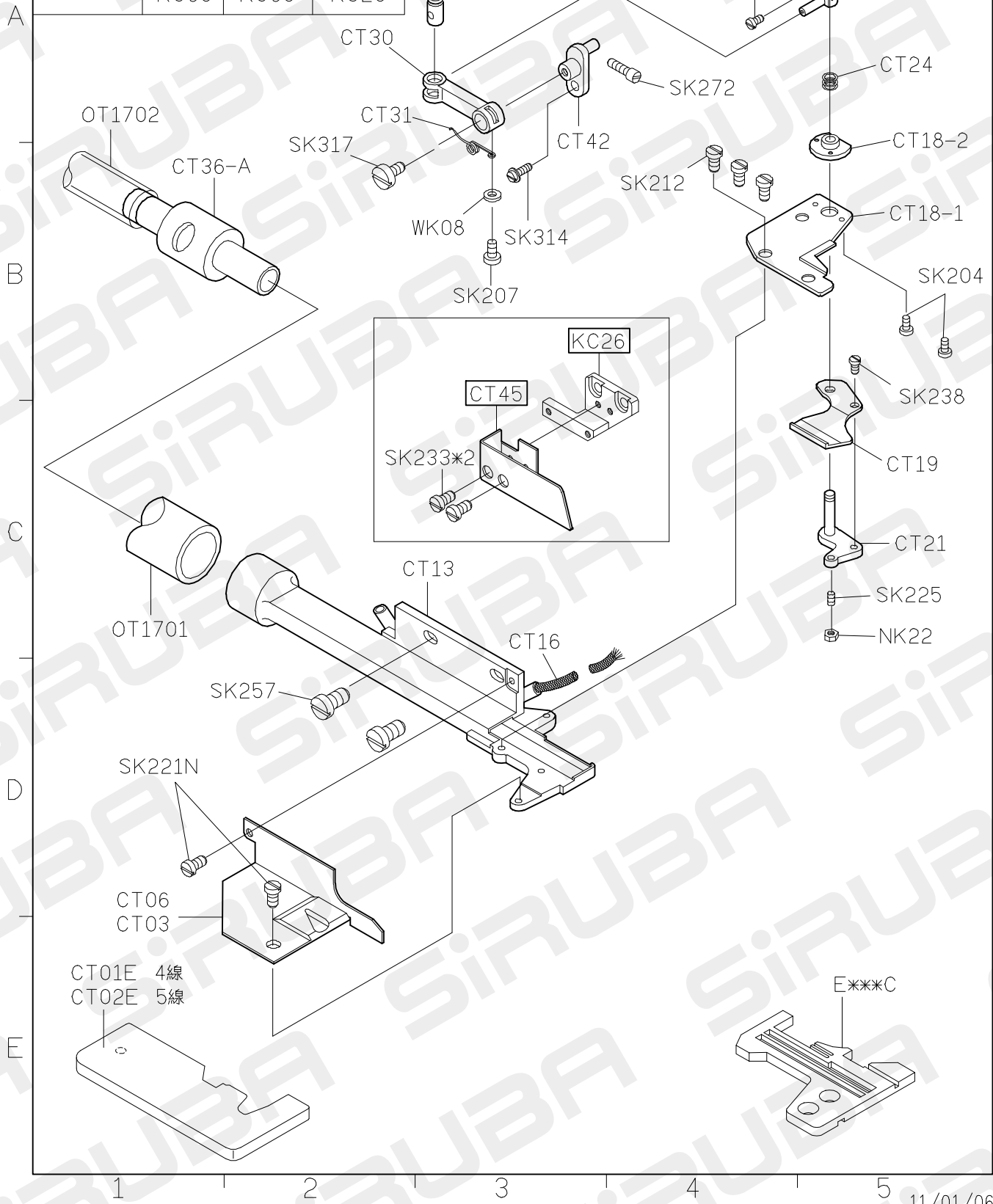
機 型 MODEL	針板 NEEDLE PLATE	送 具 FEED DOG	送 具 FEED DOG	押 具 PRESSER FOOT	勾 針 LOOPER	針 留 NEEDLE CLAMP	束 子 COLLER	衝 程 CRANK	衝 程 CRANK	針 號 NEEDLE
 747EFT-514H4-24	 E919	 D440 D095	 D453 H445	 P454-A	 LP38	 KG142-E	 KJ13F	 KF26-A	 KJ11B	DCX27#9*2
747EFT-514H4-24/GB	E919	D440 D095	D453 H445	P454-A	LP38	KG142-E	KJ13F	KF26-A	KJ11B	DCX27#9*2
747EFT-514H4-24/GB/P	E919	D440 D095	H445	P454P-A	LP38	KG142-E	KJ13F	KF26-A	KJ11B	DCX27#9*2
747EFT-514H4-24/GB/PB	E919	D440 D095	H445	P454-A	LP38	KG142-E	KJ13F	KF26-A	KJ11B	DCX27#9*2
747EFT-514M2-24	E919	D440 D095	H445	P454-A	LP38	KG142-E	KJ13F	KF26-A	KJ11B	DCX27#9*2
747EFT-514M2-24/DT	E919C	D440 D095	H445	P454-A	LP38	KG142-E	KJ13F	KF26-A	KJ11B	DCX27#9*2
757EFT-516H4-35	E861	D489 D502	H497	P466-A	LP38	KG153-E	KJ13F	KF26-A	KJ11B	DCX27#14*2
757EFT-516H4-35/GB	E861	D489 D502	H497	P466-A	LP38	KG153-E	KJ13F	KF26-A	KJ11B	DCX27#14*2
757EFT-516H4-35/GB/P	E861	D489 D502	H497	P466P-A	LP38	KG153-E	KJ13F	KF26-A	KJ11B	DCX27#14*2
757EFT-516H4-35/GB/PB	E861	D489 D502	H497	P466-A	LP38	KG153-E	KJ13F	KF26-A	KJ11B	DCX27#14*2
757EFT-516H4-56	E866	D489 D502	H500	P463-A	LP38	KG155-E	KJ13F	KF26-A	KJ11B	DCX27#14*2
757EFT-516H4-56/GB	E866	D489 D502	H500	P463-A	LP38	KG155-E	KJ13F	KF26-A	KJ11B	DCX27#14*2
757EFT-516H4-56/GB/P	E866	D489 D502	H500	P463P-A	LP38	KG155-E	KJ13F	KF26-A	KJ11B	DCX27#14*2
757EFT-516H4-56/GB/PB	E866	D489 D502	H500	P463-A	LP38	KG155-E	KJ13F	KF26-A	KJ11B	DCX27#14*2
757EFT-516M2-35	E861	D489 D502	H497	P466-A	LP38	KG153-E	KJ13F	KF26-A	KJ11B	DCX27#18*2
757EFT-516M2-35/DT	E861C	D489 D502	H497	P466-A	LP38	KG153-E	KJ13F	KF26-A	KJ11B	DCX27#18*2
757EFT-516M2-56	E866	D489 D502	H500	P463-A	LP38	KG155-E	KJ13F	KF26-A	KJ11B	DCX27#14*2
757EFT-516M2-56/DT	E866C	D489 D502	H500	P463-A	LP38	KG155-E	KJ13F	KF26-A	KJ11B	DCX27#14*2
747EFT-514M2-24	E919	D440 D095	H445	P068-4	LP38	KG142-E	KJ13F	KF26-A	KJ11B	DCX27#9*2
757EFT-516M2-56	E129	D066 D067	H500	P056-A	LP38	KG155-E	KJ13F	KF26-A	KJ11B	DCX27#14*2
757EFT-516M2-56/DT	E129C	D066 D067	H500	P056-A	LP38	KG155-E	KJ13F	KF26-A	KJ11B	DCX27#14*2
757EFT-516M2-35	E169	D066 D067	H497	P053-A	LP38	KG153-E	KJ13F	KF26-A	KJ11B	DCX27#14*2
757EFT-516M2-35/DT	E169C	D066 D067	H497	P053-A	LP38	KG153-E	KJ13F	KF26-A	KJ11B	DCX27#14*2

TF 拷克車規格件表 / CONVERSION CHART

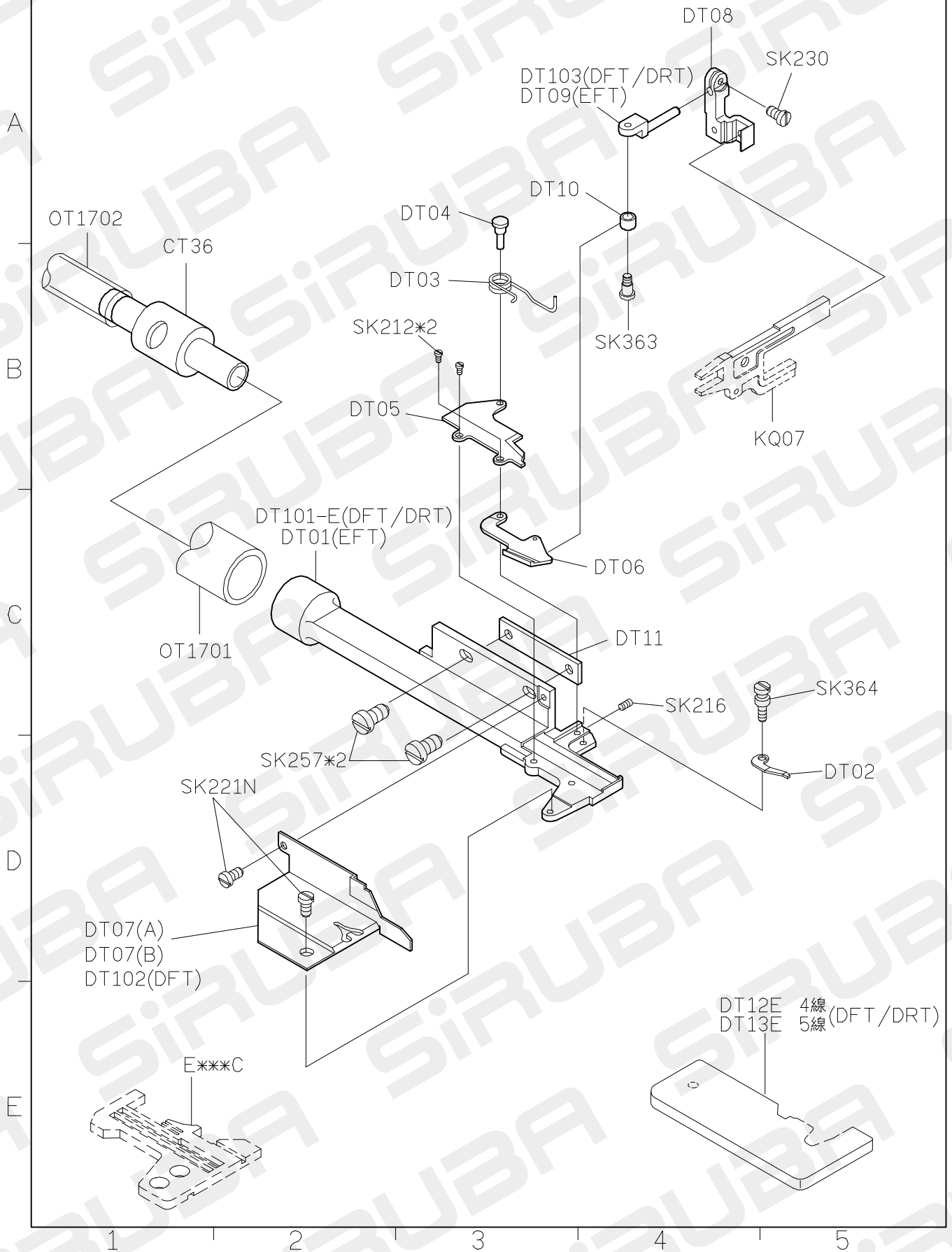
機 型 MODEL	針 板 NEEDLE PLATE	送 具 FEED DOG	送 具 FEED DOG	押 具 PRESSER FOOT	勾 針 LOOPER	針 留 NEEDLE CLAMP	束 子 COLLER	衝 程 CRANK	衝 程 CRANK	針 號 NEEDLE
 747FFT-514H4-24	 E919	 D440	 D095	 P454-A	 LP38	 KG142-E	 KJ13F	 TF157-E	 KJ11B	DCX27#9*2
747FFT-514H4-24/GB	E919	D440	D095	P454-A	LP38	KG142-E	KJ13F	TF157-E	KJ11B	DCX27#9*2
747FFT-514H4-24/GB/P	E919	D440	D095	P454P-A	LP38	KG142-E	KJ13F	TF157-E	KJ11B	DCX27#9*2
747FFT-514H4-24/GB/PB	E919	D440	D095	P454-A	LP38	KG142-E	KJ13F	TF157-E	KJ11B	DCX27#9*2
747FFT-514M2-24	E919	D440	D095	P454-A	LP38	KG142-E	KJ13F	TF157-E	KJ11B	DCX27#9*2
747FFT-514M2-24/DT	E919C	D440	D095	P454-A	LP38	KG142-E	KJ13F	TF157-E	KJ11B	DCX27#9*2
757FFT-516H4-35	E861	D489	D502	P466-A	LP38	KG153-E	KJ13F	TF157-E	KJ11B	DCX27#14*2
757FFT-516H4-35/GB	E861	D489	D502	P466-A	LP38	KG153-E	KJ13F	TF157-E	KJ11B	DCX27#14*2
757FFT-516H4-35/GB/P	E861	D489	D502	P466P-A	LP38	KG153-E	KJ13F	TF157-E	KJ11B	DCX27#14*2
757FFT-516H4-35/GB/PB	E861	D489	D502	P466-A	LP38	KG153-E	KJ13F	TF157-E	KJ11B	DCX27#14*2
757FFT-516H4-56	E866	D489	D502	P463-A	LP38	KG155-E	KJ13F	TF157-E	KJ11B	DCX27#14*2
757FFT-516H4-56/GB	E866	D489	D502	P463-A	LP38	KG155-E	KJ13F	TF157-E	KJ11B	DCX27#14*2
757FFT-516H4-56/GB/P	E866	D489	D502	P463P-A	LP38	KG155-E	KJ13F	TF157-E	KJ11B	DCX27#14*2
757FFT-516H4-56/GB/PB	E866	D489	D502	P463-A	LP38	KG155-E	KJ13F	TF157-E	KJ11B	DCX27#14*2
757FFT-516M2-35	E861	D489	D502	P466-A	LP38	KG153-E	KJ13F	TF157-E	KJ11B	DCX27#18*2
757FFT-516M2-35/DT	E861C	D489	D502	P466-A	LP38	KG153-E	KJ13F	TF157-E	KJ11B	DCX27#18*2
757FFT-516M2-56	E866	D489	D502	P463-A	LP38	KG155-E	KJ13F	TF157-E	KJ11B	DCX27#14*2
757FFT-516M2-56/DT	E866C	D489	D502	P463-A	LP38	KG155-E	KJ13F	TF157-E	KJ11B	DCX27#14*2
747FRT-514M2-24	E919	D440	D095	P068-4	LP38	KG142-E	KJ13F	TF157-E	KJ11B	DCX27#9*2
757FRT-516M2-56	E129	D066	D067	H500	LP38	KG155-E	KJ13F	TF157-E	KJ11B	DCX27#14*2
757FRT-516M2-56/DT	E129C	D066	D067	H500	LP38	KG155-E	KJ13F	TF157-E	KJ11B	DCX27#14*2
757FRT-516M2-35	E169	D066	D067	H497	LP38	KG153-E	KJ13F	TF157-E	KJ11B	DCX27#14*2
757FRT-516M2-35/DT	E169C	D066	D067	H497	LP38	KG153-E	KJ13F	TF157-E	KJ11B	DCX27#14*2

700DFT PARTS LIST FOR CT GROUP P.1/1

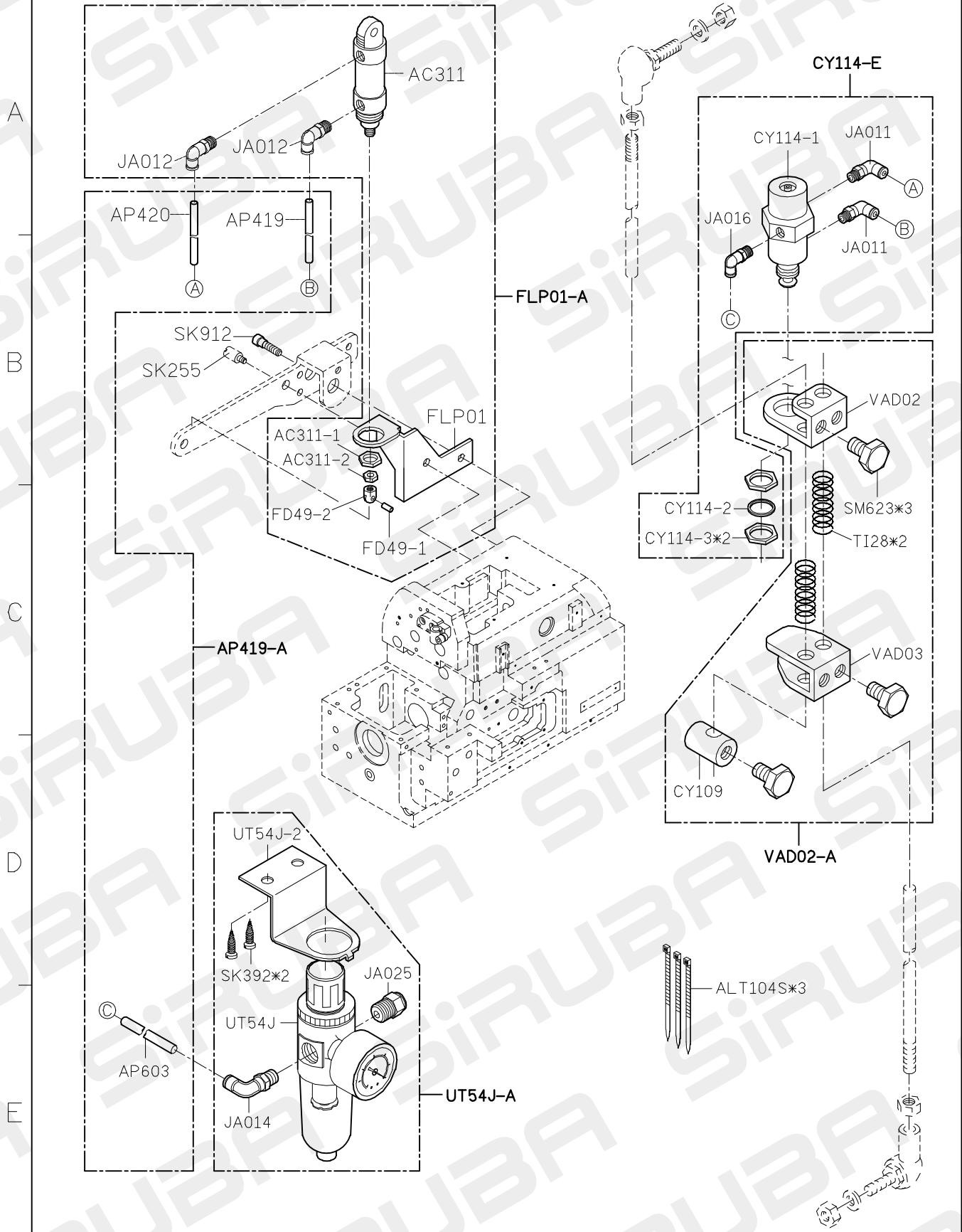
MODEL	500	700H 700HD	757UX
PARTS NO	CT46	CT46	CT45
	KC96	KC96	KC26



700DFT PARTS LIST FOR DT GROUP P.1/1



DFT PARTS LIST FOR FLP GROUP P.1/1



PARTS LIST FOR GB GROUP 系列圖 1

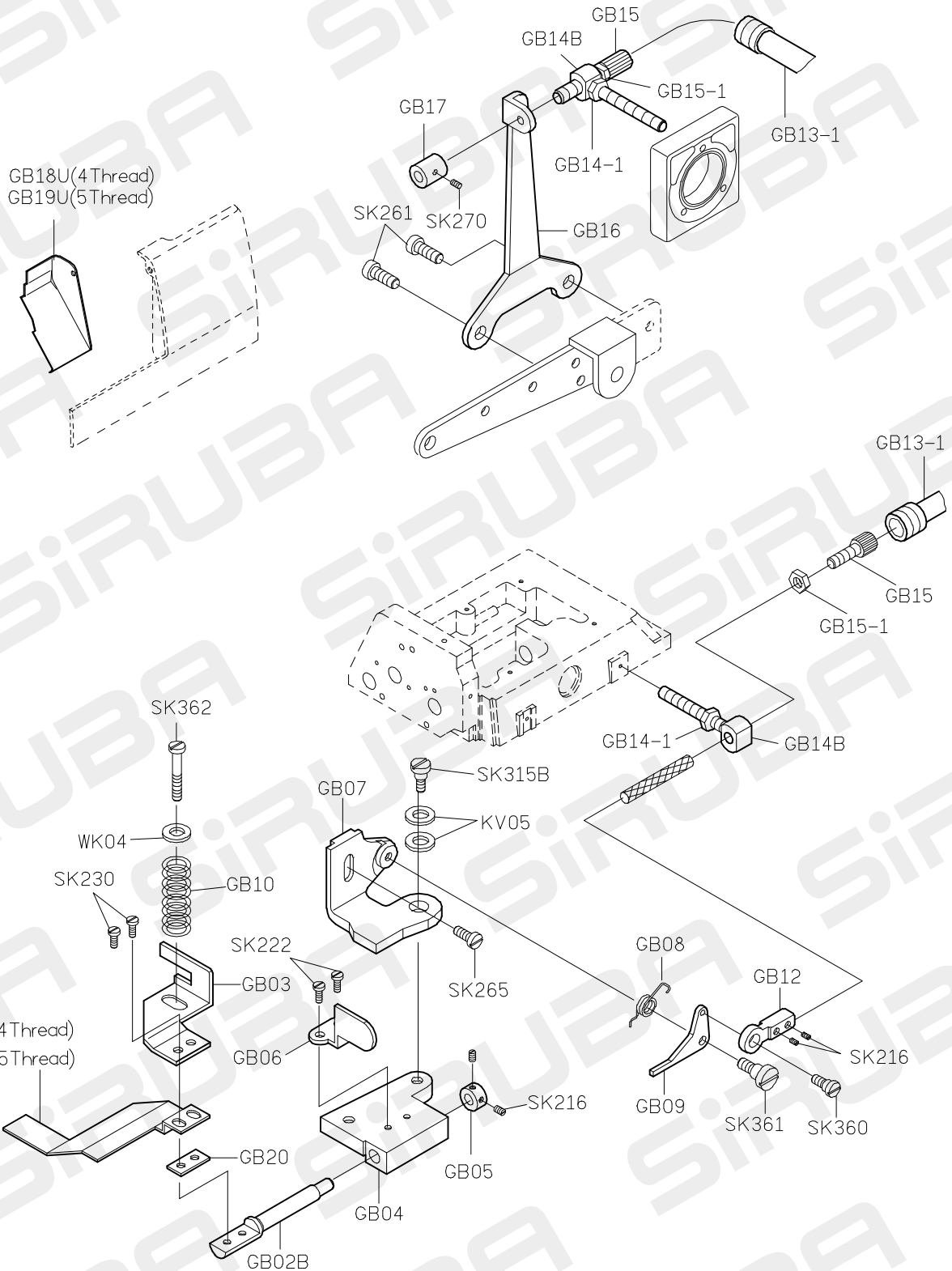
A

B

C

D

E



1

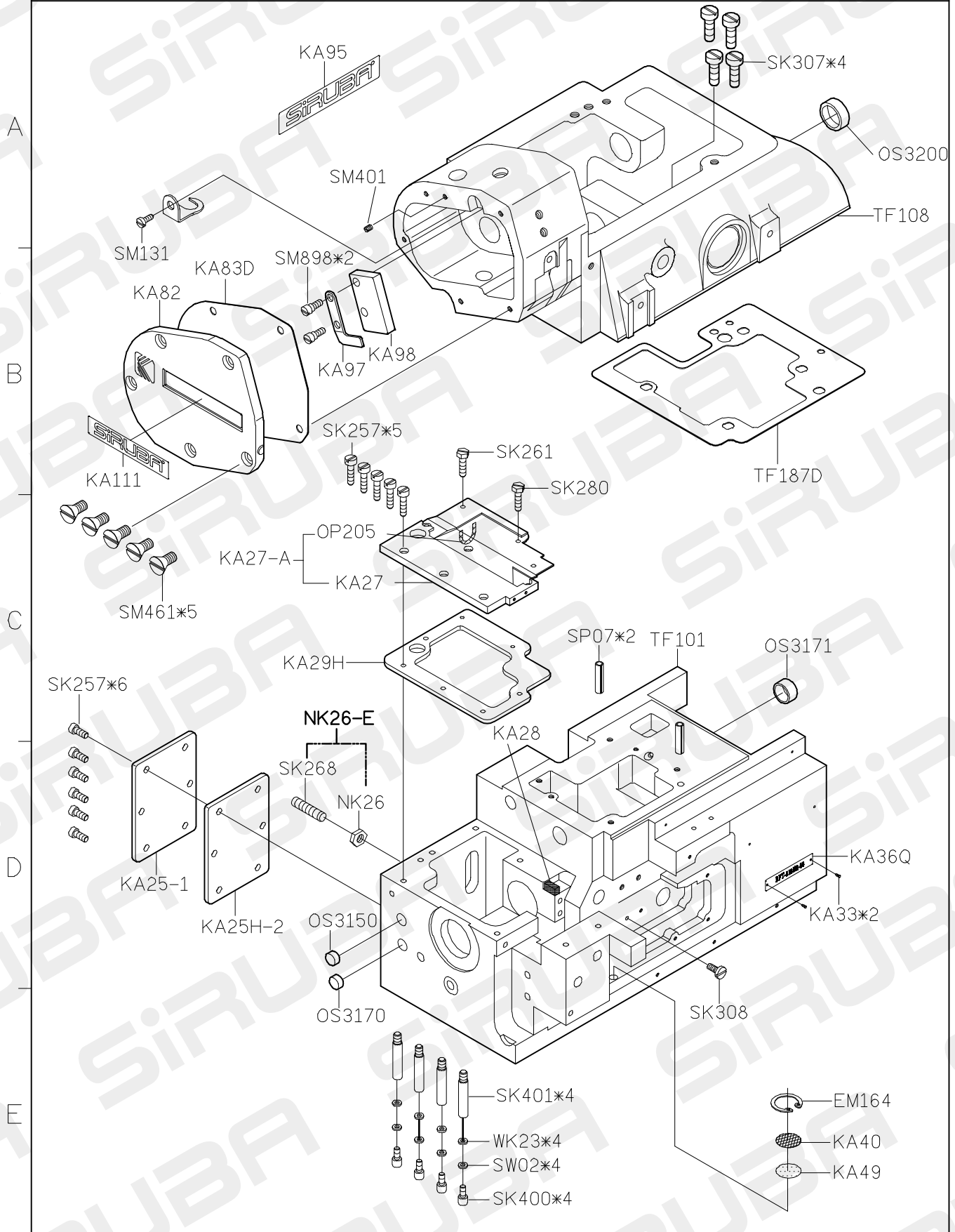
2

3

4

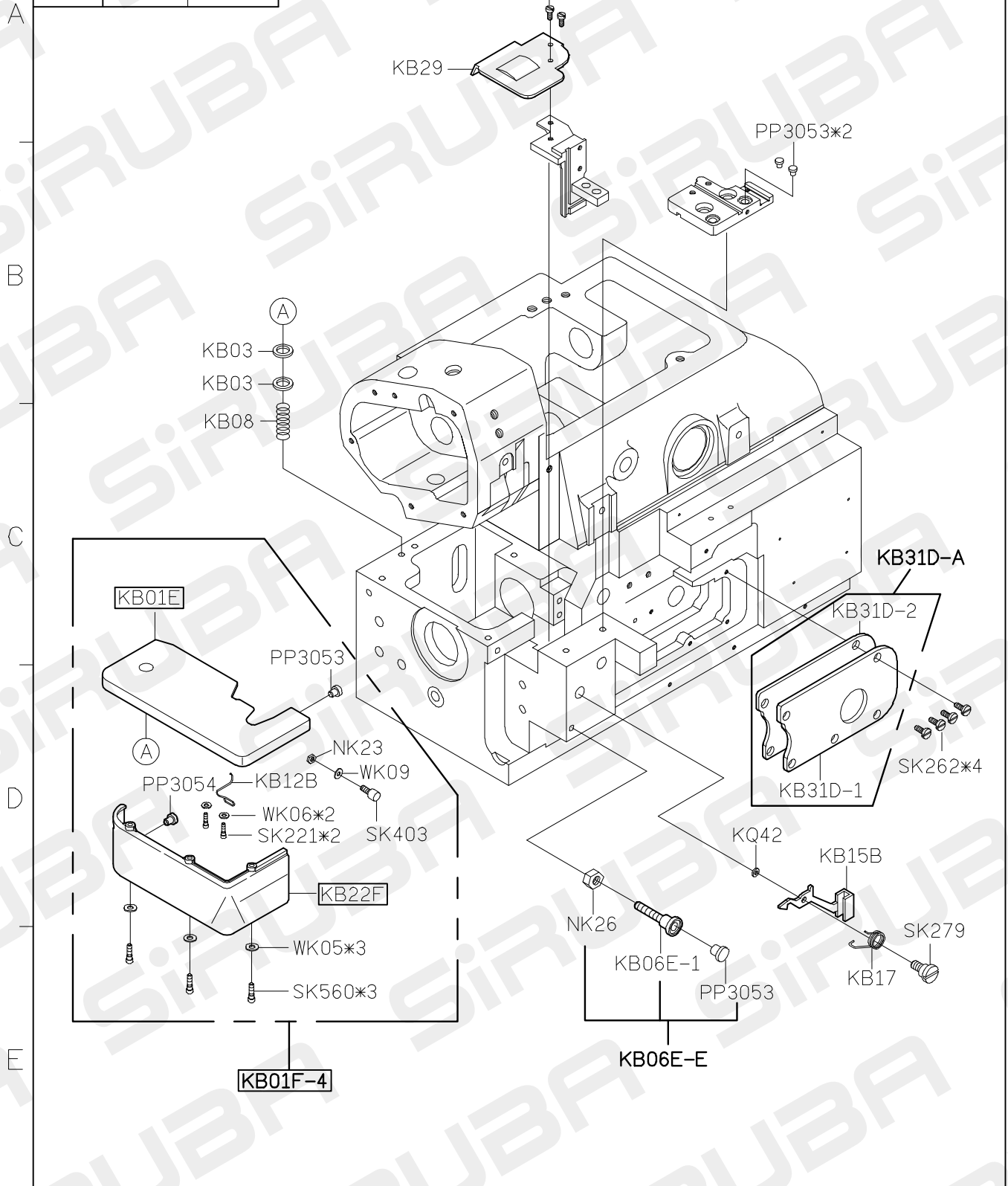
5

DFT PARTS LIST FOR KA GROUP P.1/1



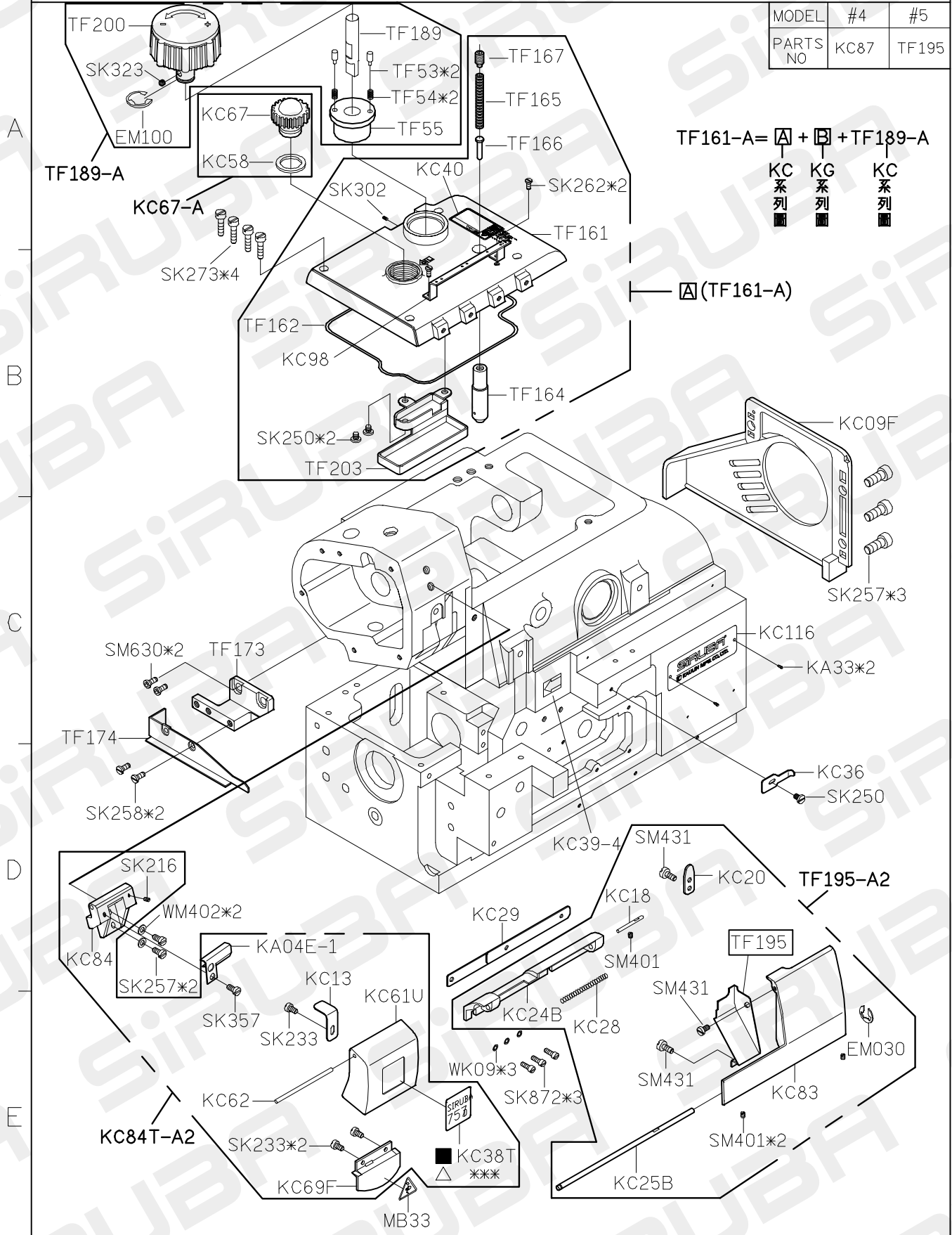
DFT PARTS LIST FOR KB GROUP P.1/1

MODEL	四線車	五線車
PARTS NO	KB01E KB22F KB01F-4	KB02E KB23F KB02F-5

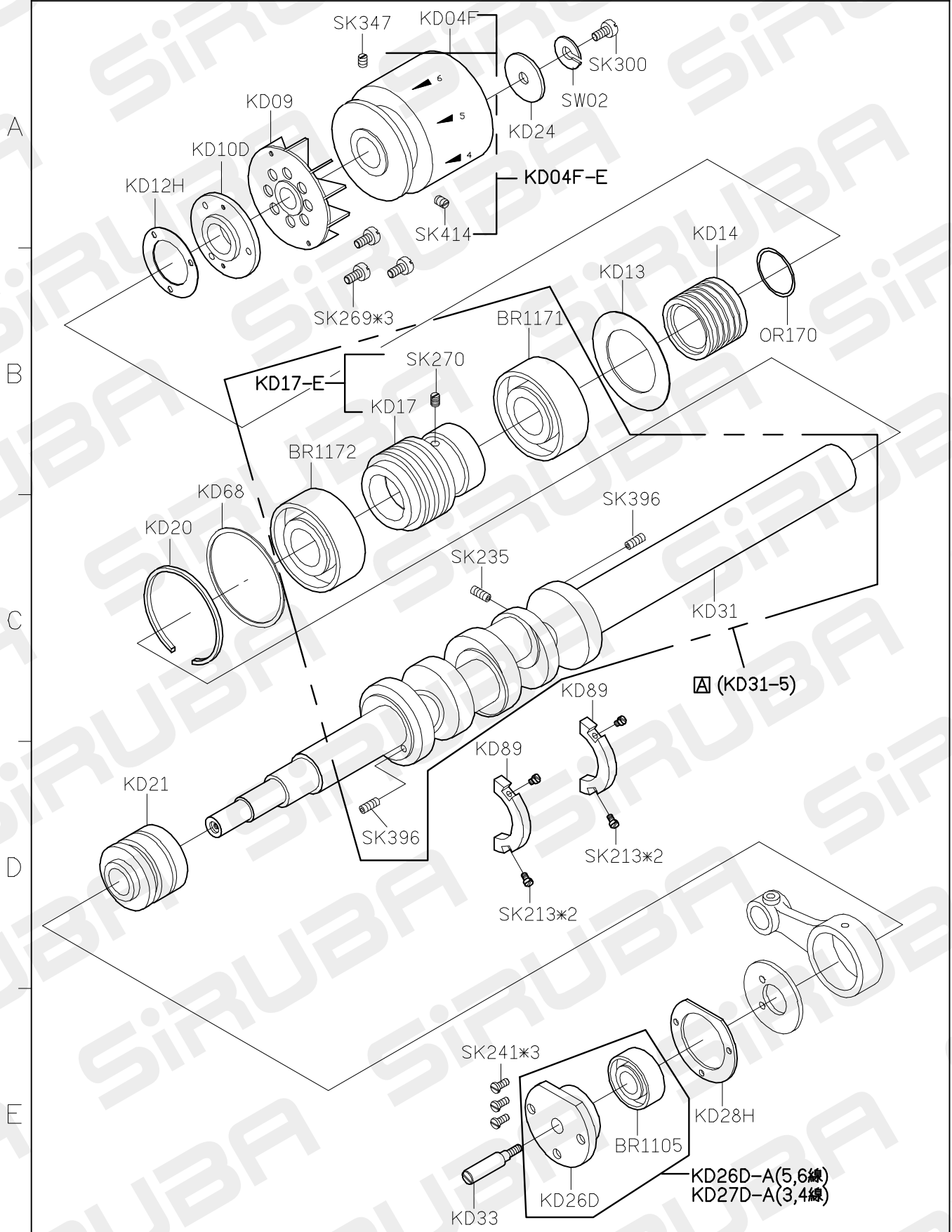


DFT PARTS LIST FOR KC GROUP P.1/1

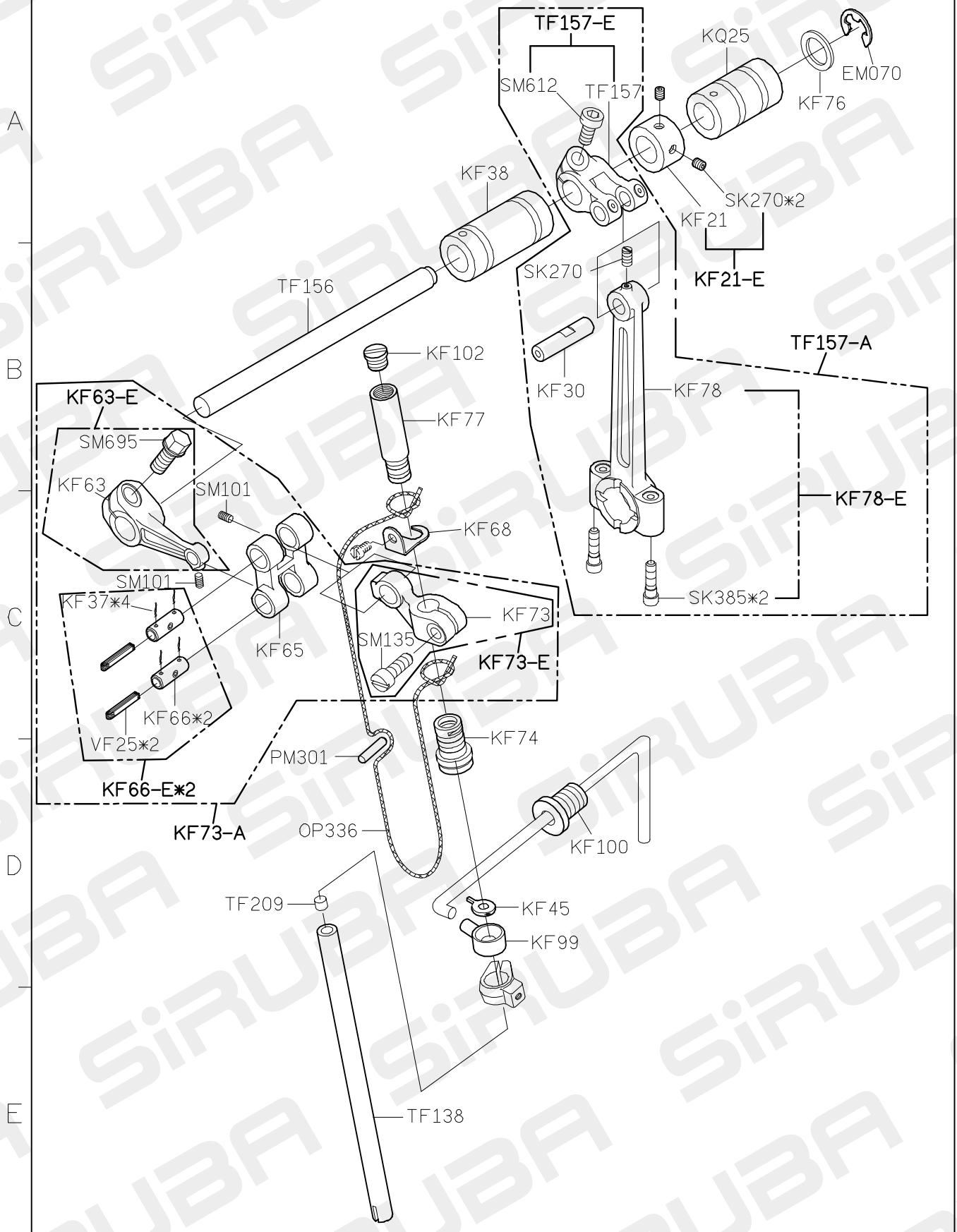
MODEL	#4	#5
PARTS NO	KC87	TF195



DFT PARTS LIST FOR KD GROUP P.1/1



700DFT PARTS LIST FOR KF GROUP P.1/1



700DFT PARTS LIST FOR KG GROUP P.1/1

MODEL	#4	#5
PARTS NO	TF205	KG51
	TF160	KG64
	TF163	KG65
	TF206	KG34
	KG52-4	KG52-5

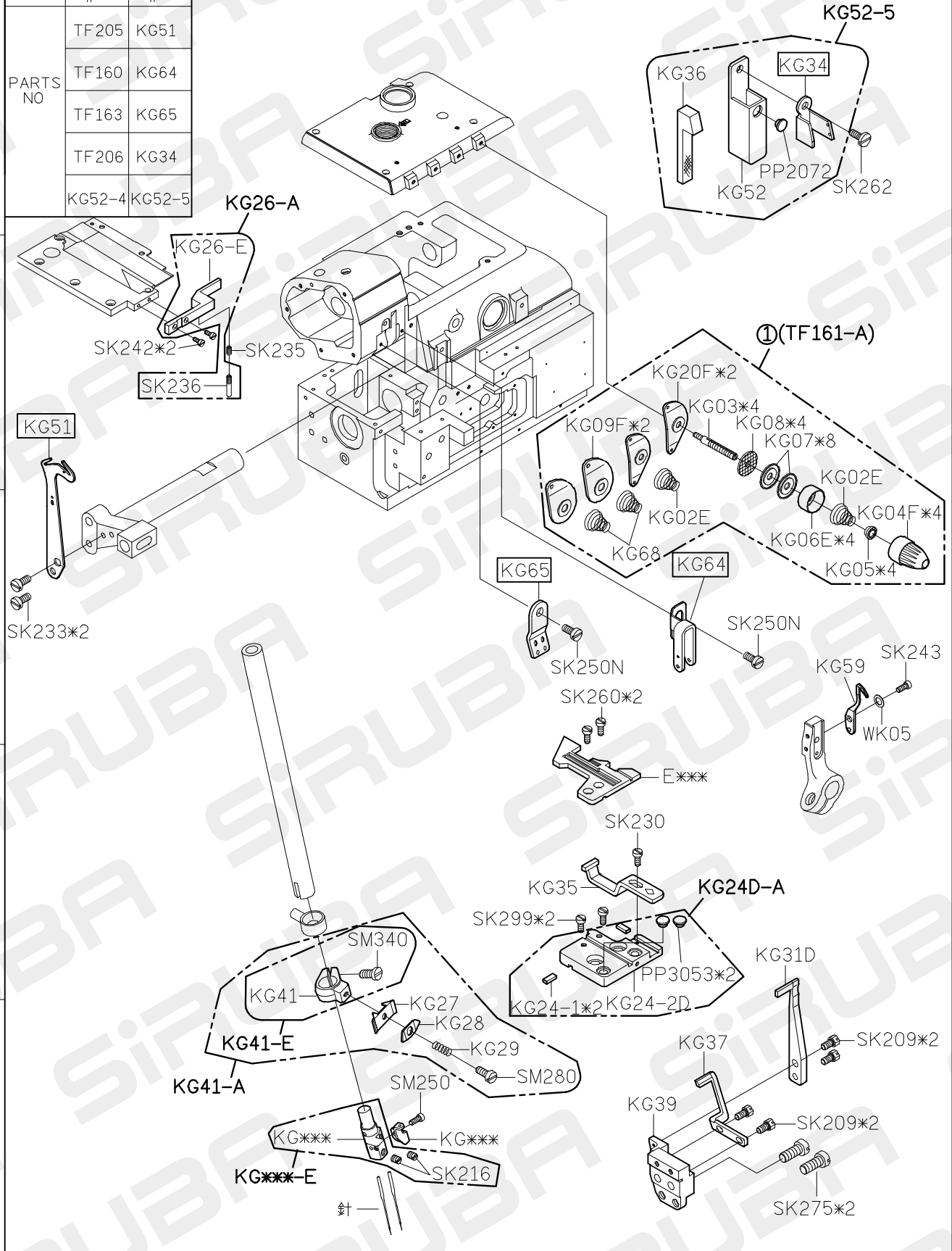
A

B

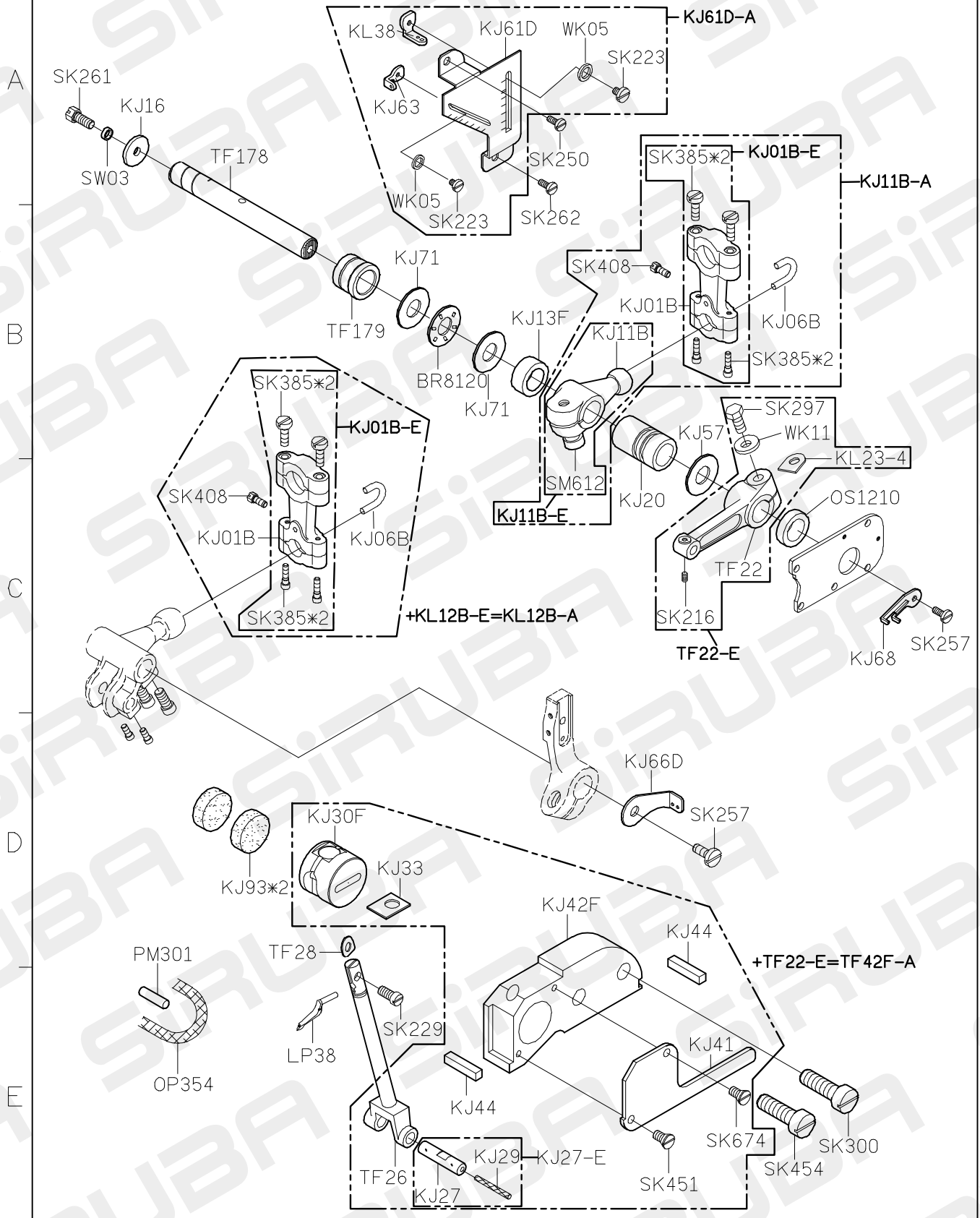
C

D

E

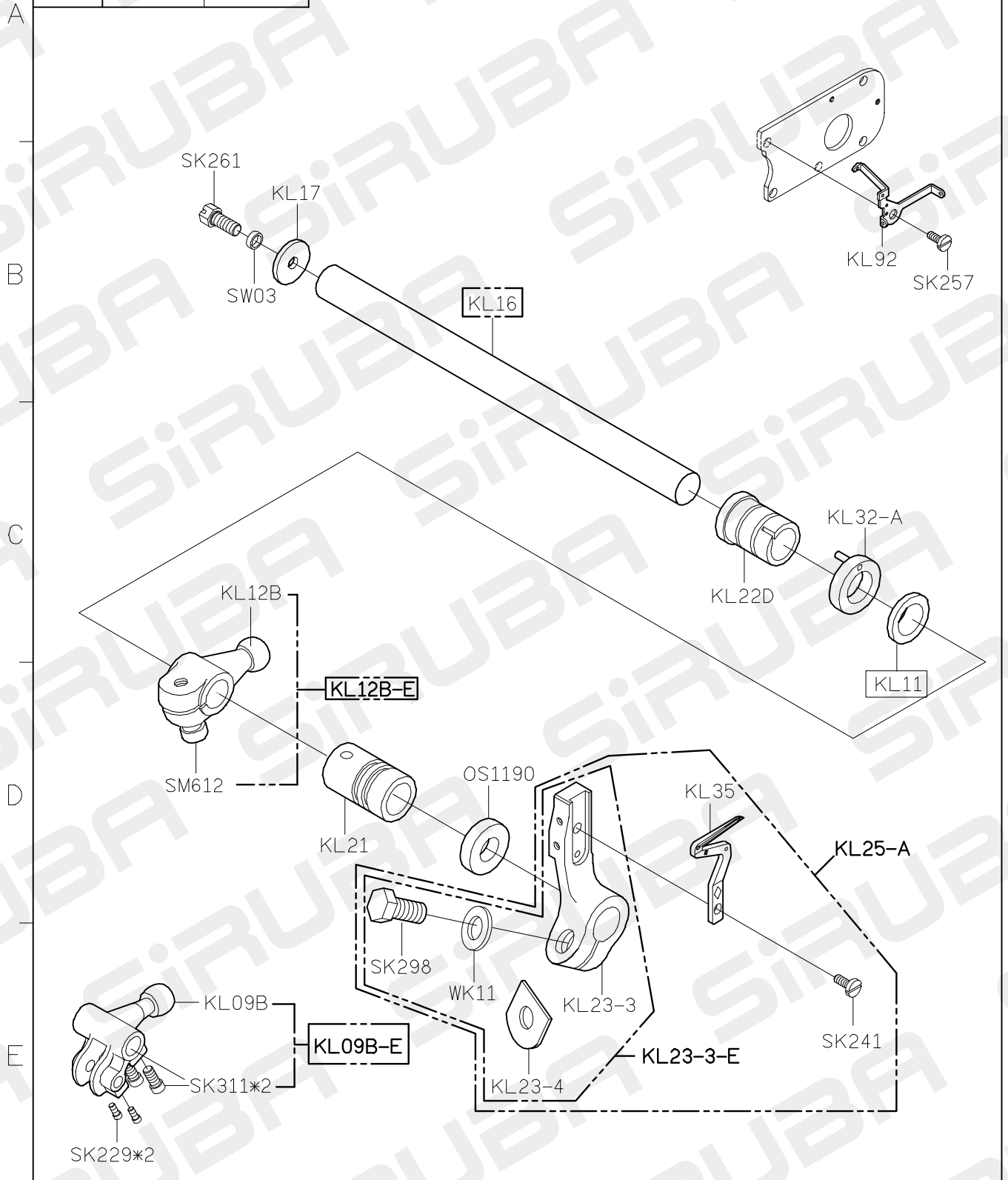


700DFT PARTS LIST FOR KJ GROUP P.1/1

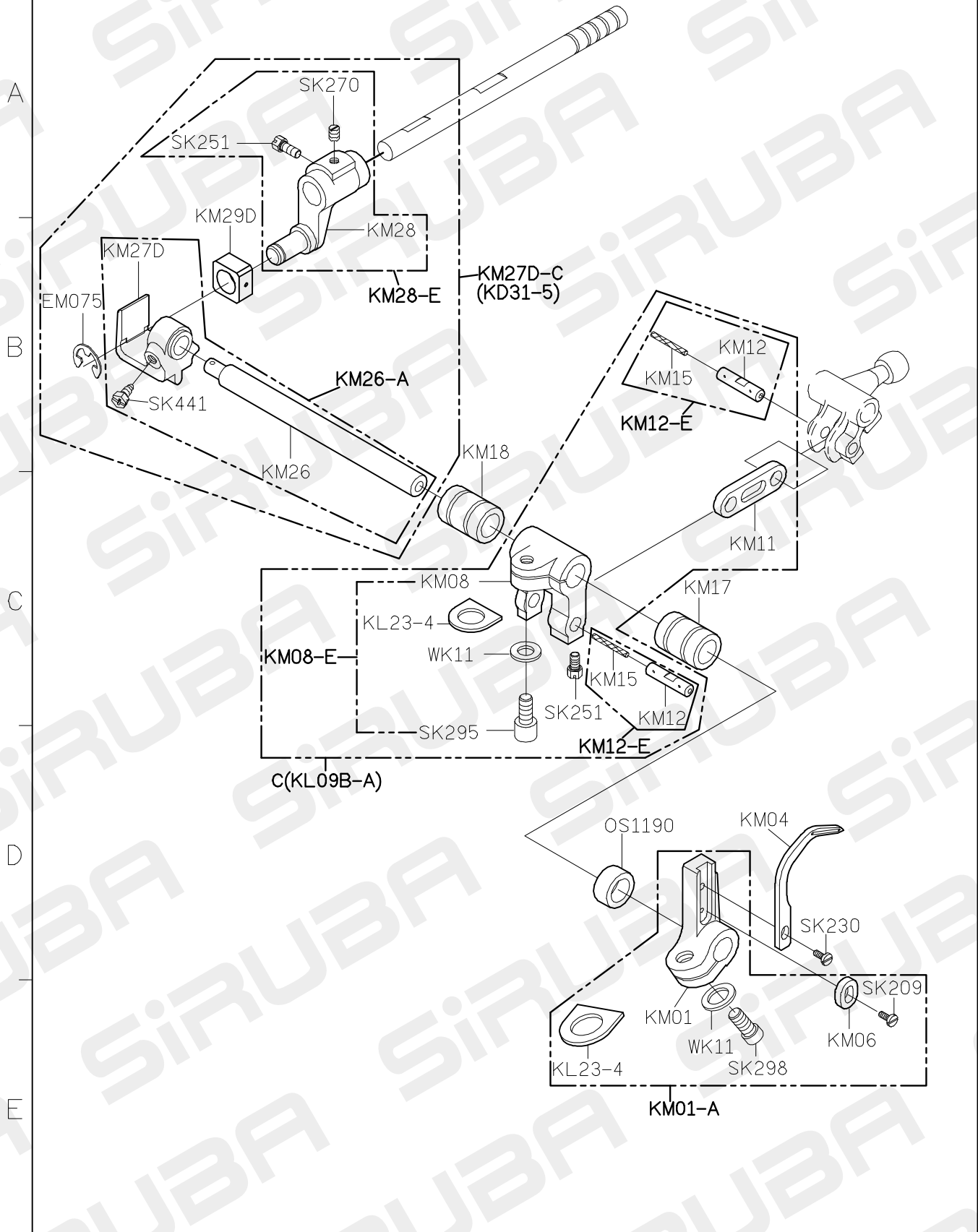


700DFT PARTS LIST FOR KL GROUP P.1/1

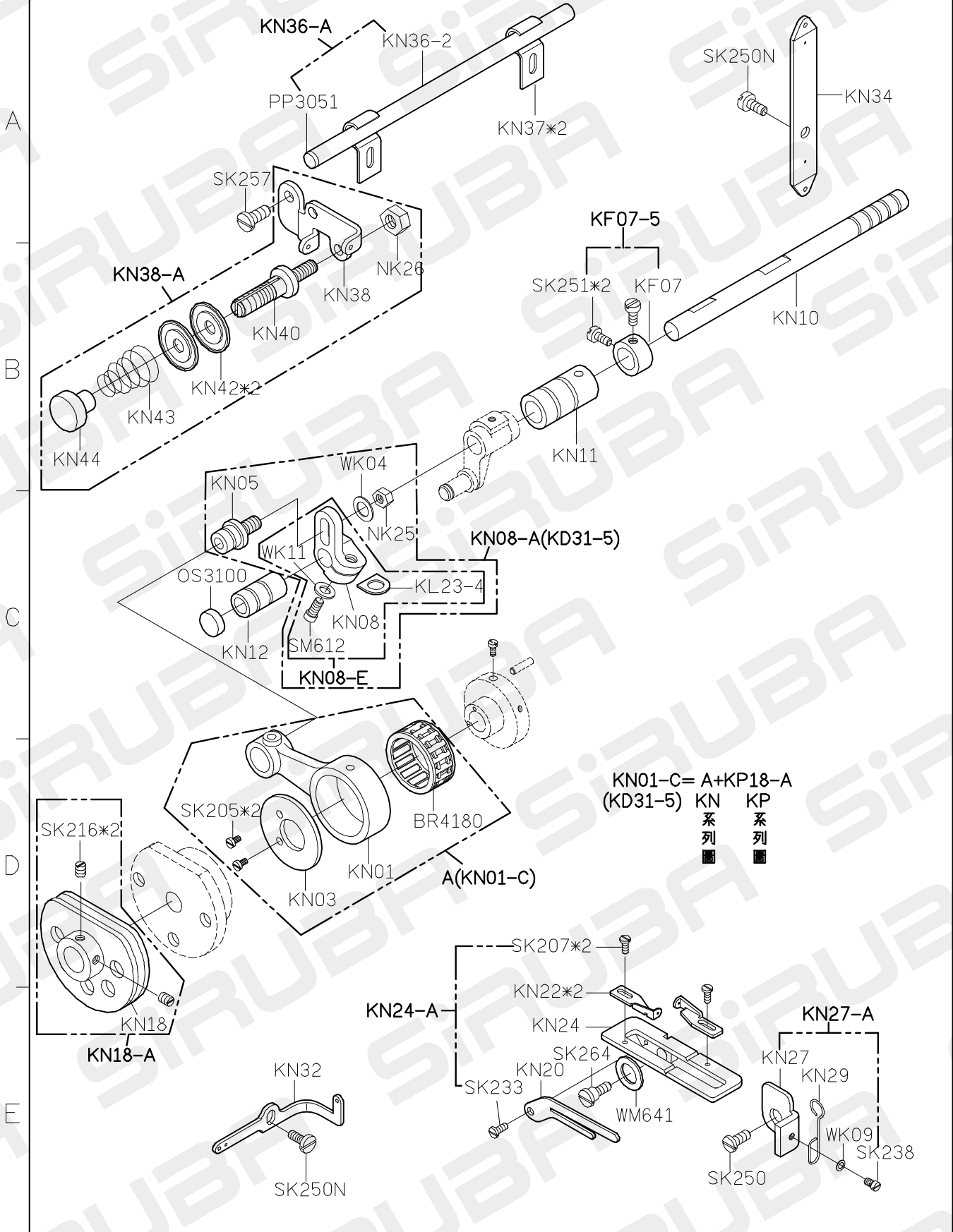
MODEL	#4	#5
	KL57	KL16
PARTS NO	KL15	KL11
	KL12B-E	KL09B-E



700DFT PARTS LIST FOR KM GROUP P.1/1



700DFT PARTS LIST FOR KN GROUP P.1/1



KN01-C= A+KP18-A
(KD31-5) KN KP
系列 系列

700DFT PARTS LIST FOR KP GROUP P.1/1

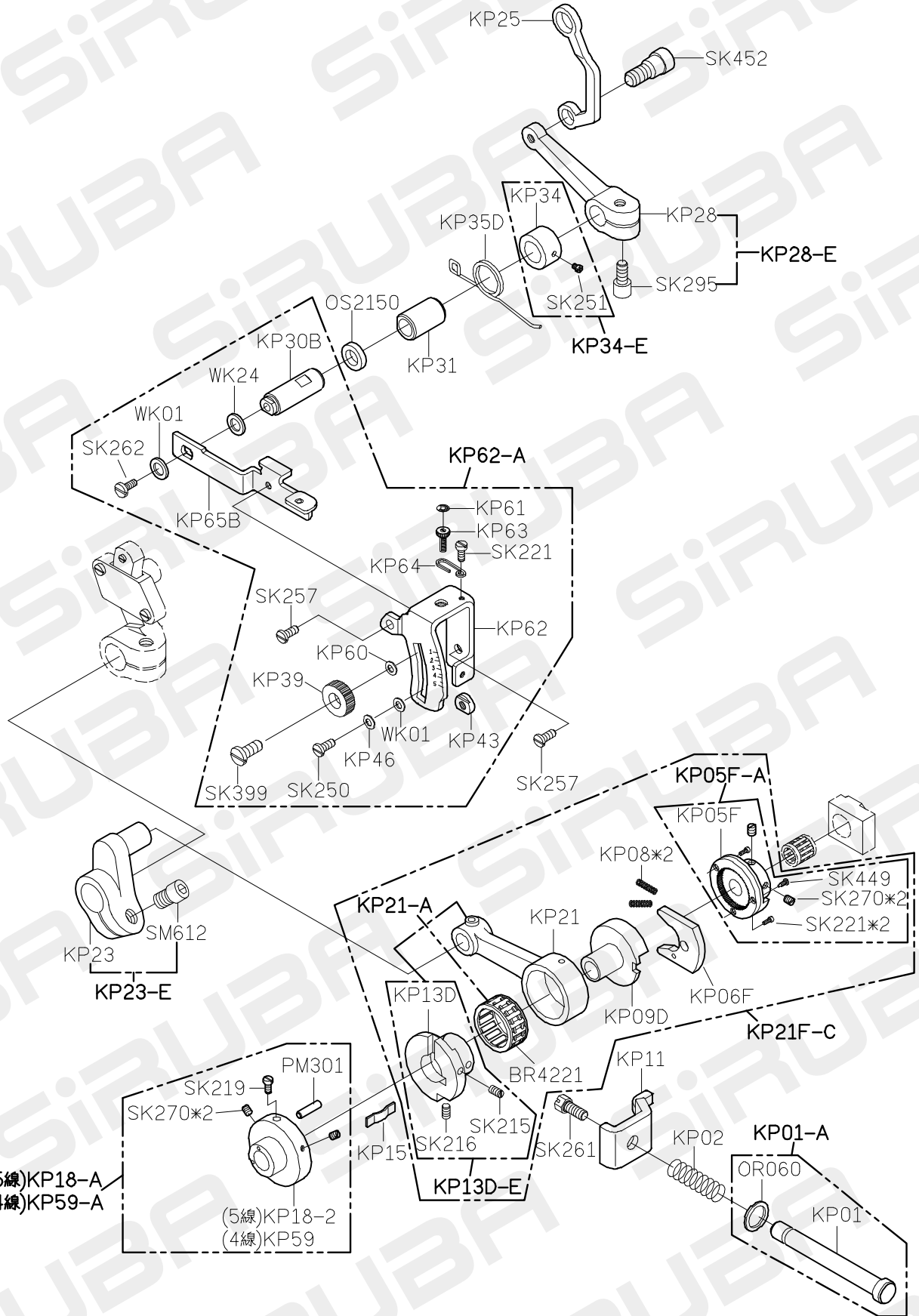
A

B

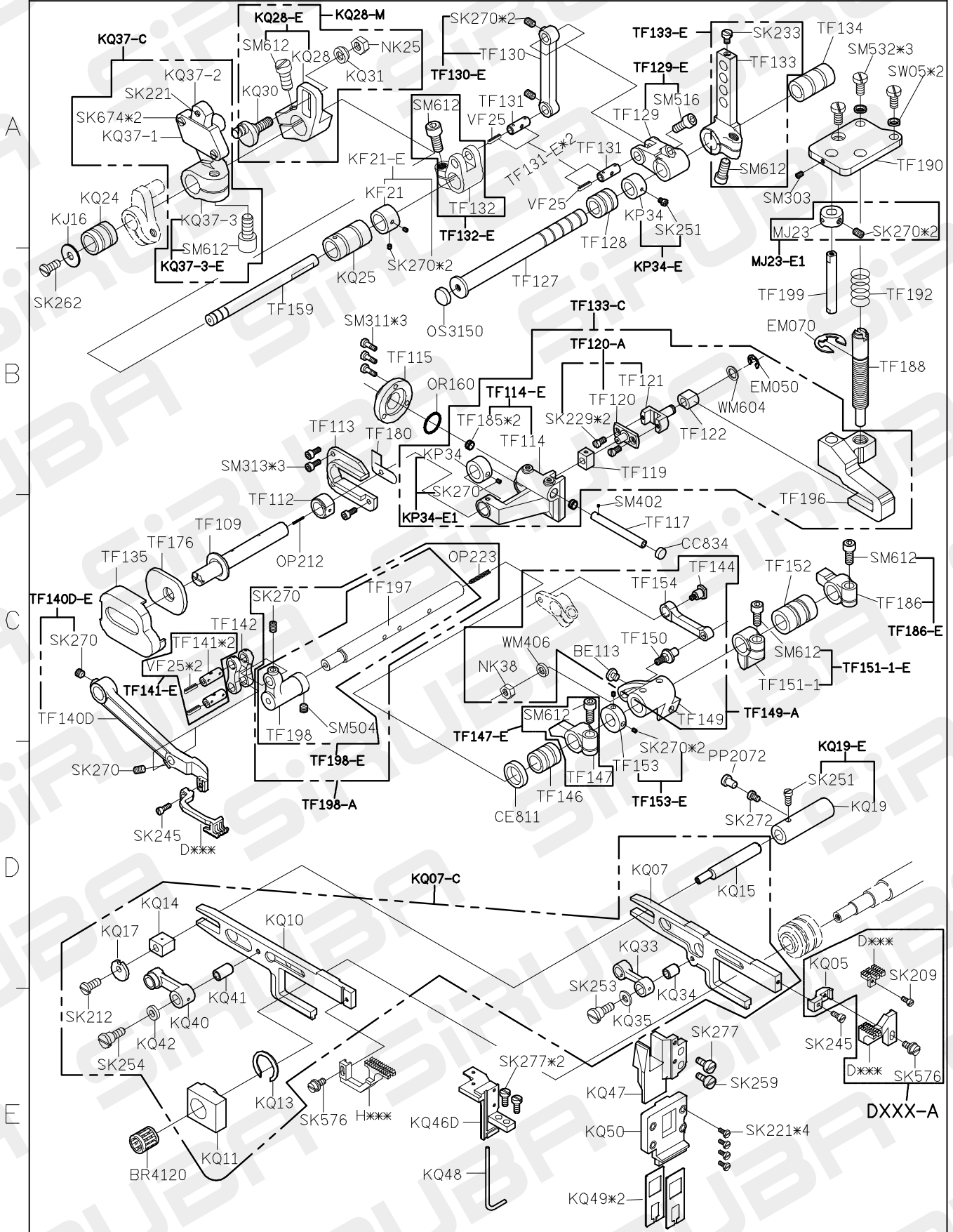
C

D

E



700DFT PARTS LIST FOR KQ GROUP P.1/1



700DFT PARTS LIST FOR KR GROUP P.1/1

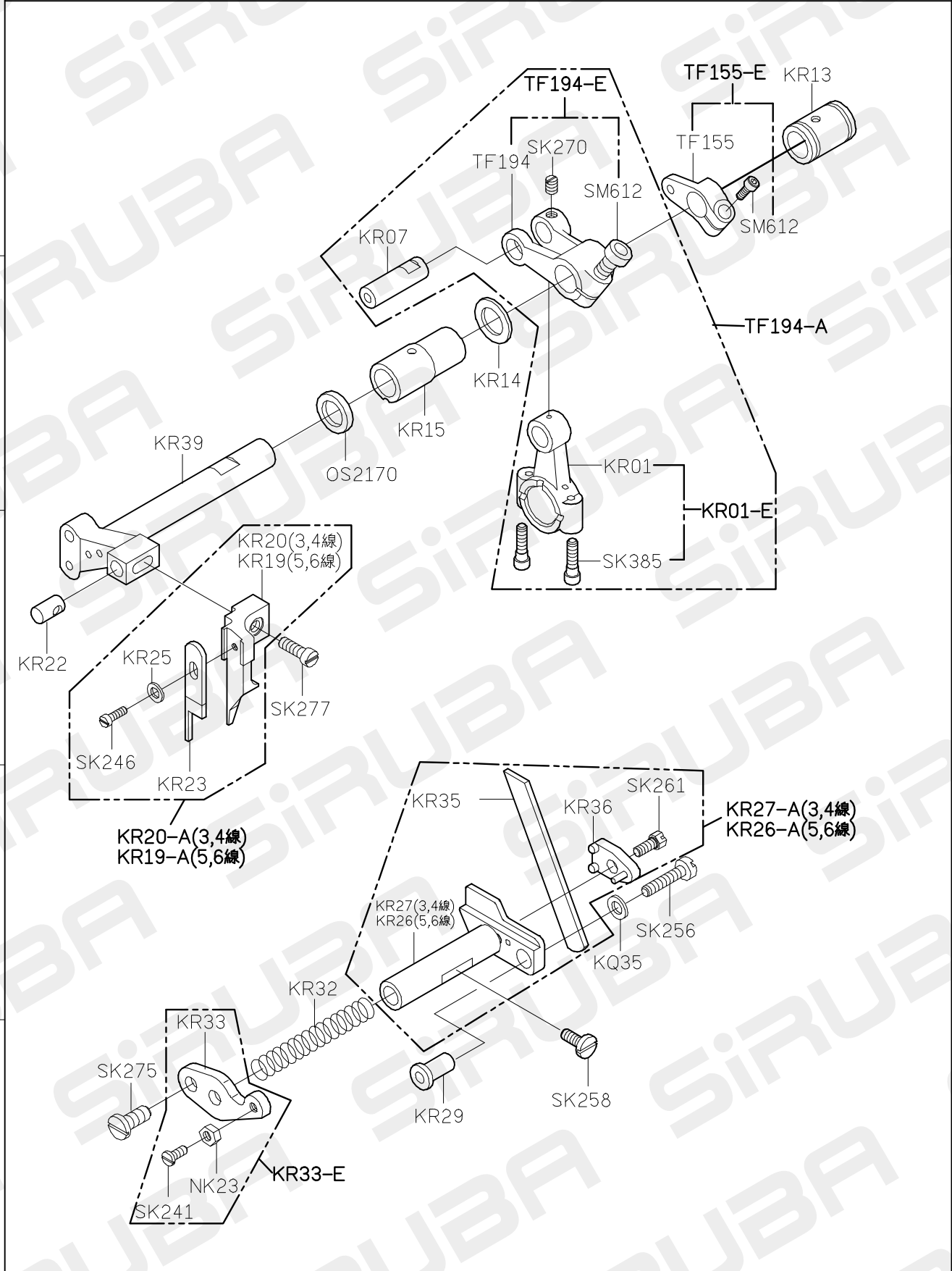
A

B

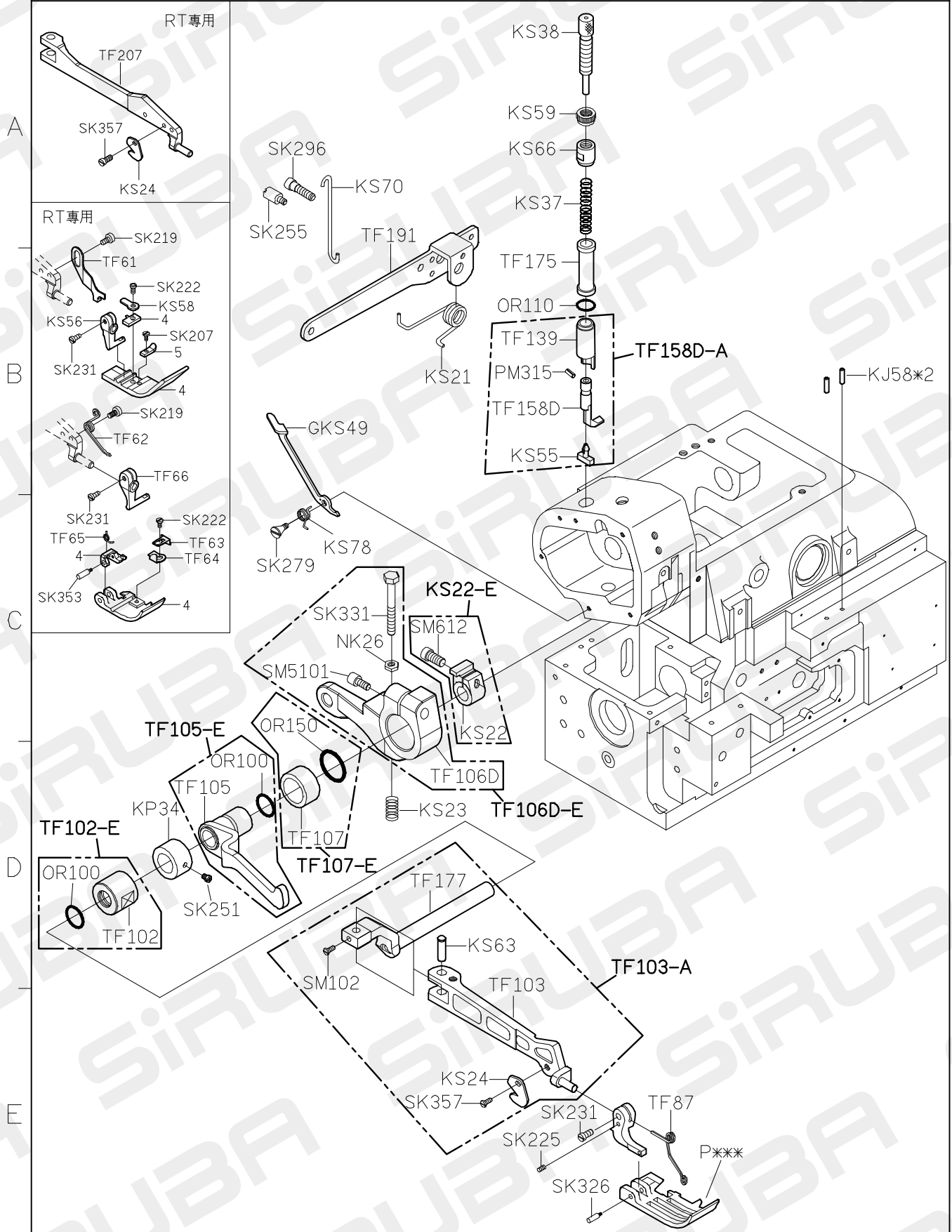
C

D

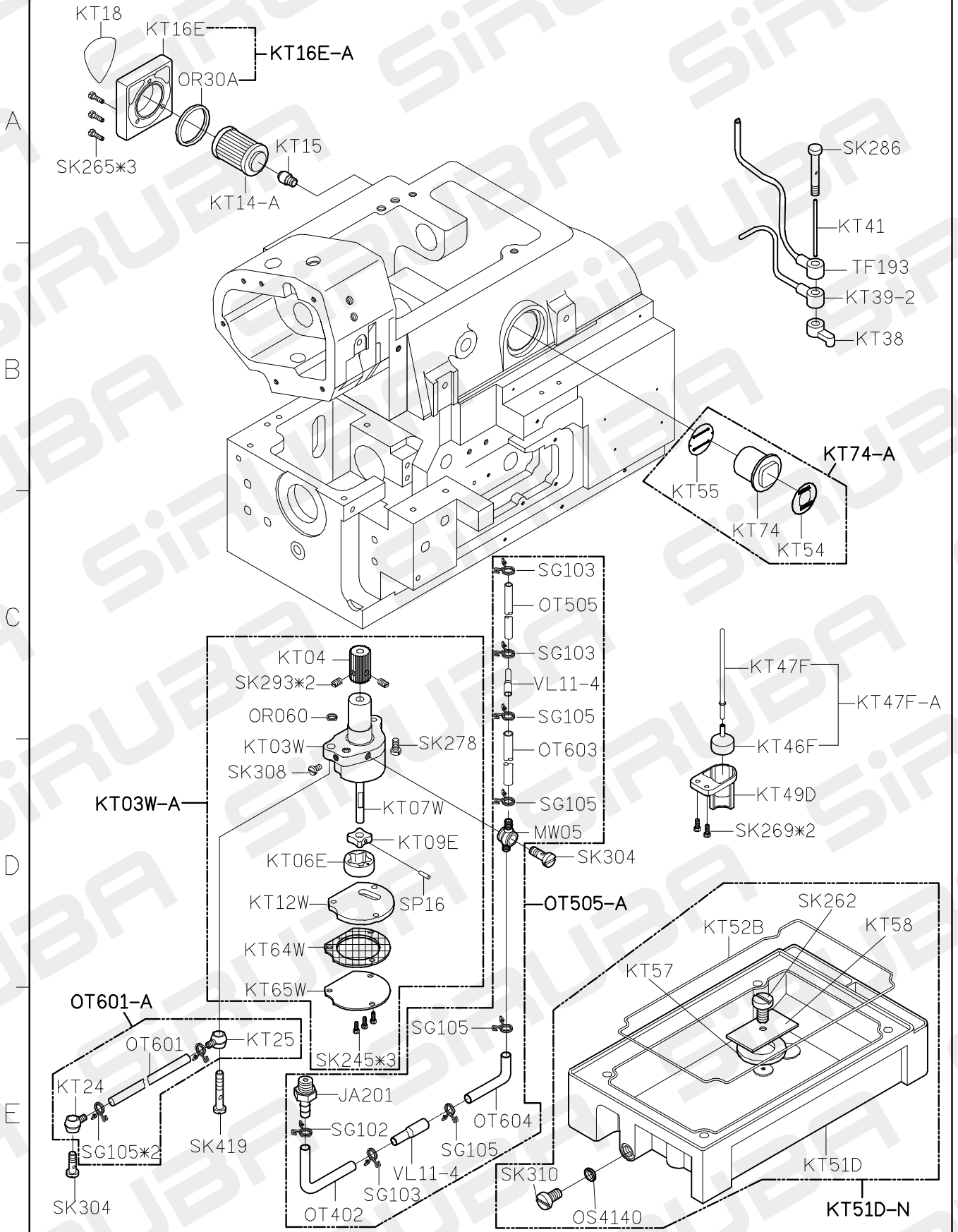
E



700DFT PARTS LIST FOR KS GROUP P.1/1



700DFT PARTS LIST FOR KT GROUP P.1/1



700DFT PARTS LIST FOR KU GROUP P.1/1

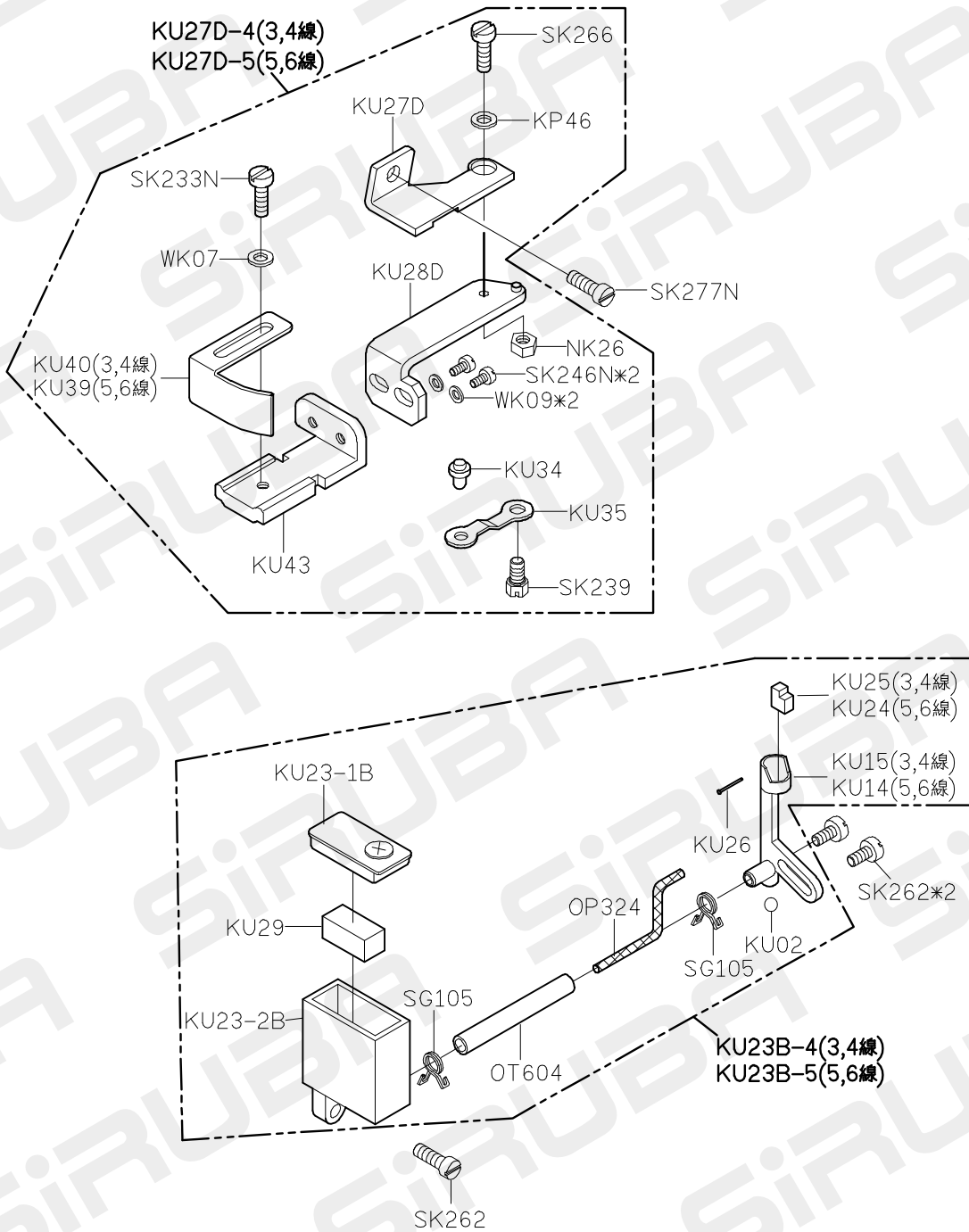
A

B

C

D

E



700DFT PARTS LIST FOR KW GROUP P.1

KW40E-5

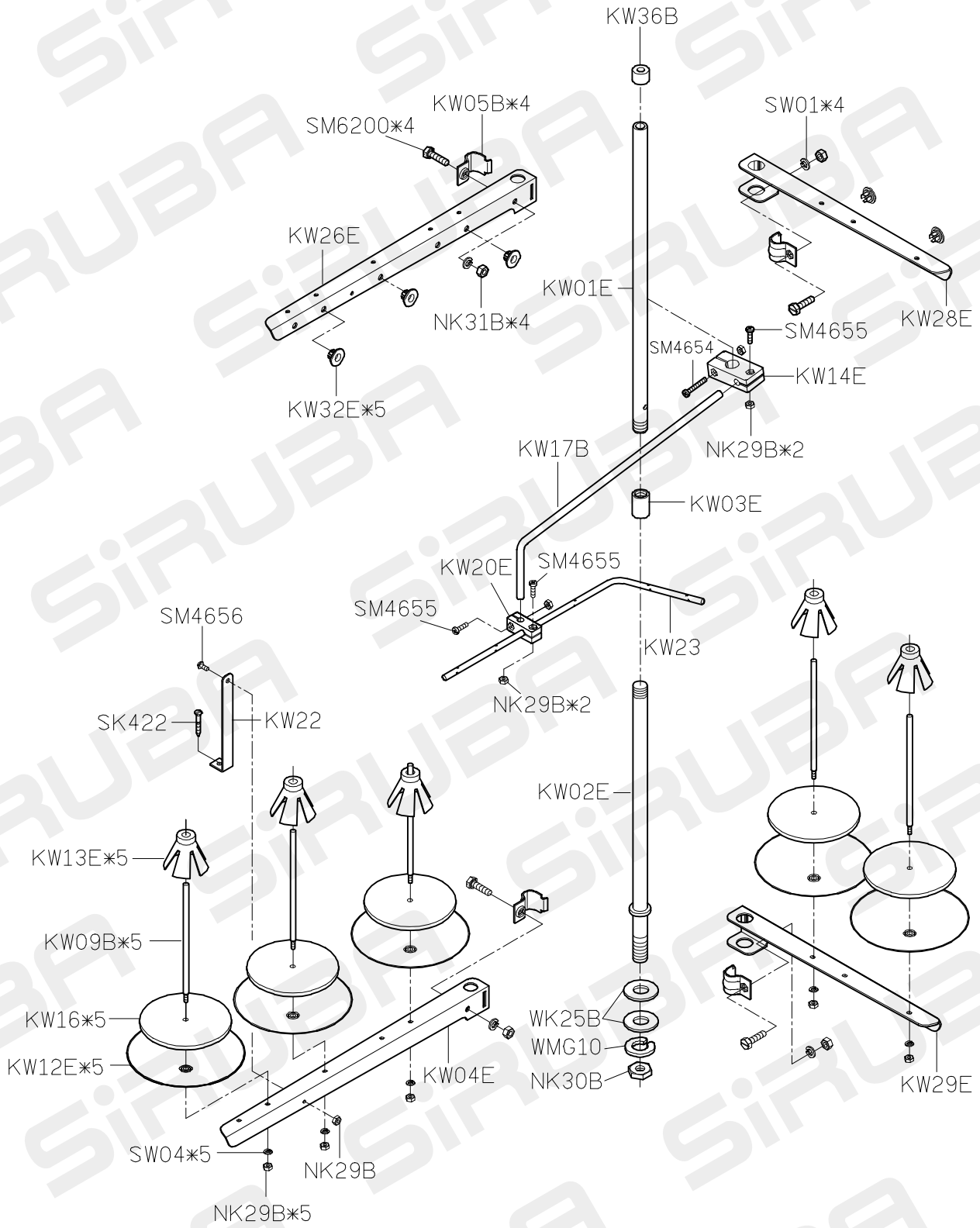
A

B

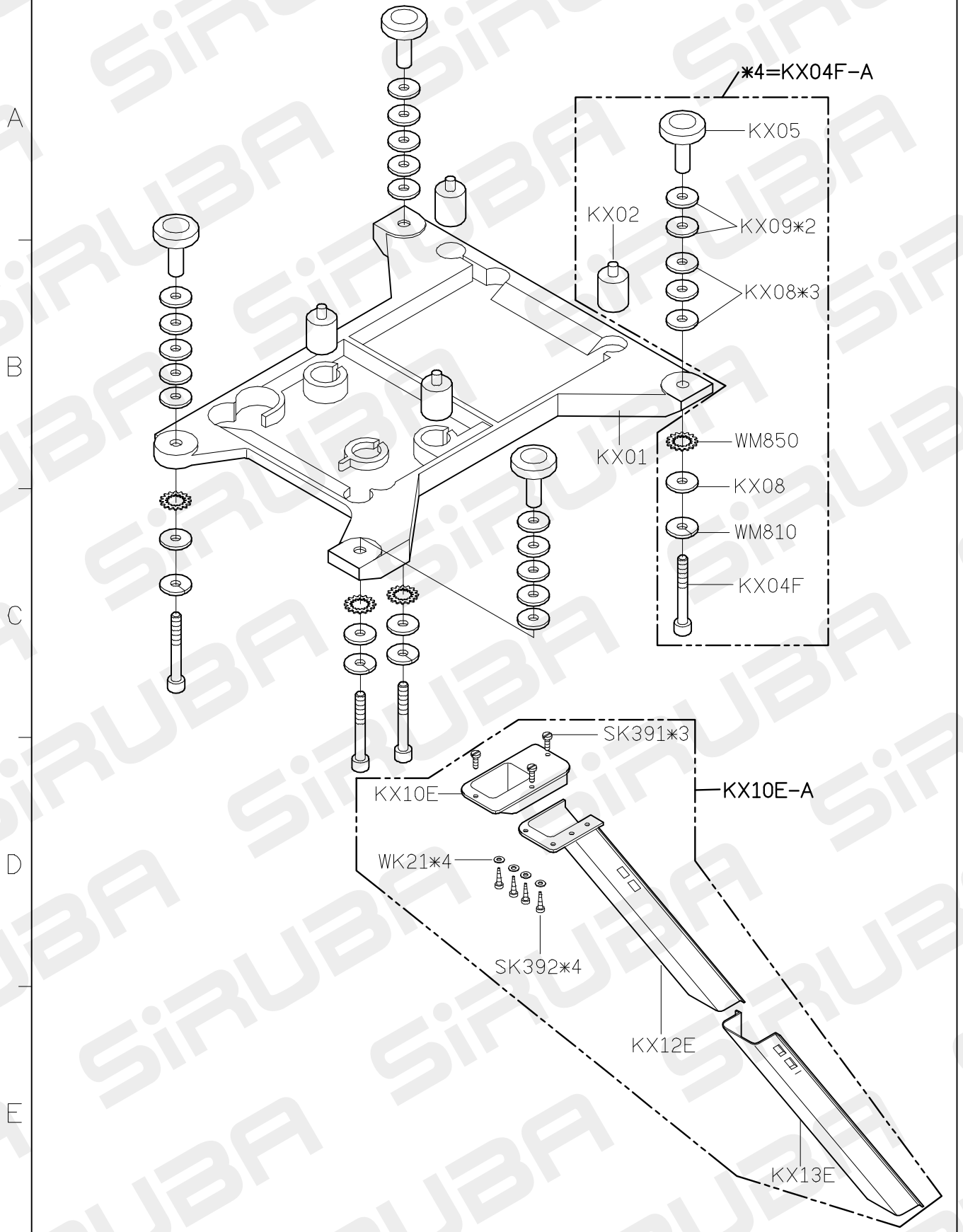
C

D

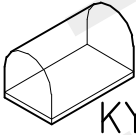
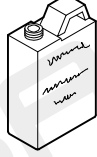




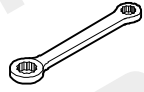
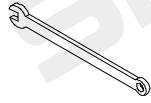



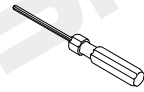
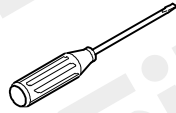










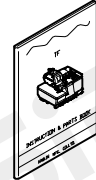


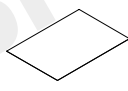
E



700DFT PARTS LIST FOR KX GROUP P.1/1



700DFT PARTS LIST FOR KY GROUP P.1/1

	GKY01 防塵罩	KY02-A 油罐	KY03 油壺	KY04 漏斗	KY05 油壺	KY30 針板紙
A						
	KY23-A		KY10-A			
	KY23 內六角板手	KY09 開口板手	KY10 六角板手	KY11 六角板手	KY12 六角板手	KY14 內六角螺絲起子
B						
	KY16-A					
	KY16 一字起子	KY17 一字起子	KY18 鑷子	KY19 穿線器	KY20D 腳踏板	KY21-A/MY21 鉤子/鍊條
C						
	KY201 工具袋	KR35 下刀片	KT14-A 濾油器	KZ03 乾燥劑	針*5 針	KZ08DFT/ KZ08DFT-1 使用說明書
D						
	SK216 螺絲	MY11 六角板手	KY30 針板紙			
E						

700DFT PARTS LIST FOR KZ GROUP P.1/1

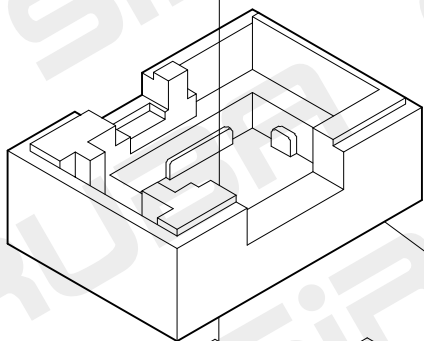
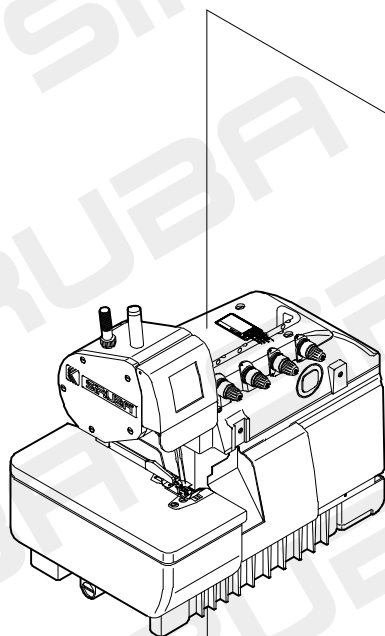
A

B

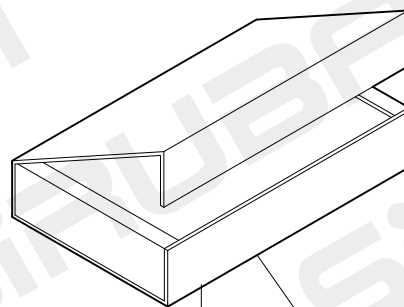
C

D

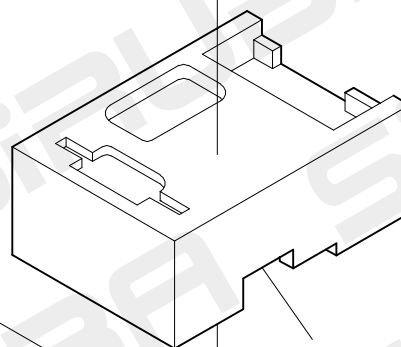
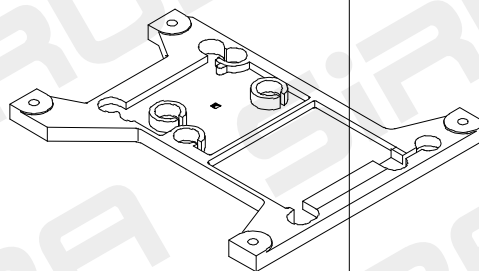
E



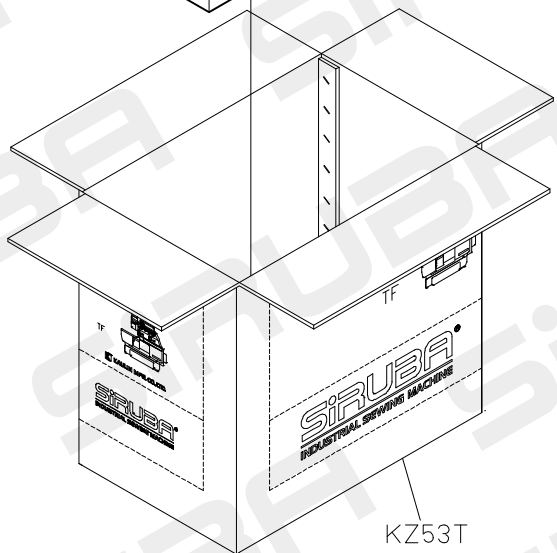
KZ26F-3



KW40E-5

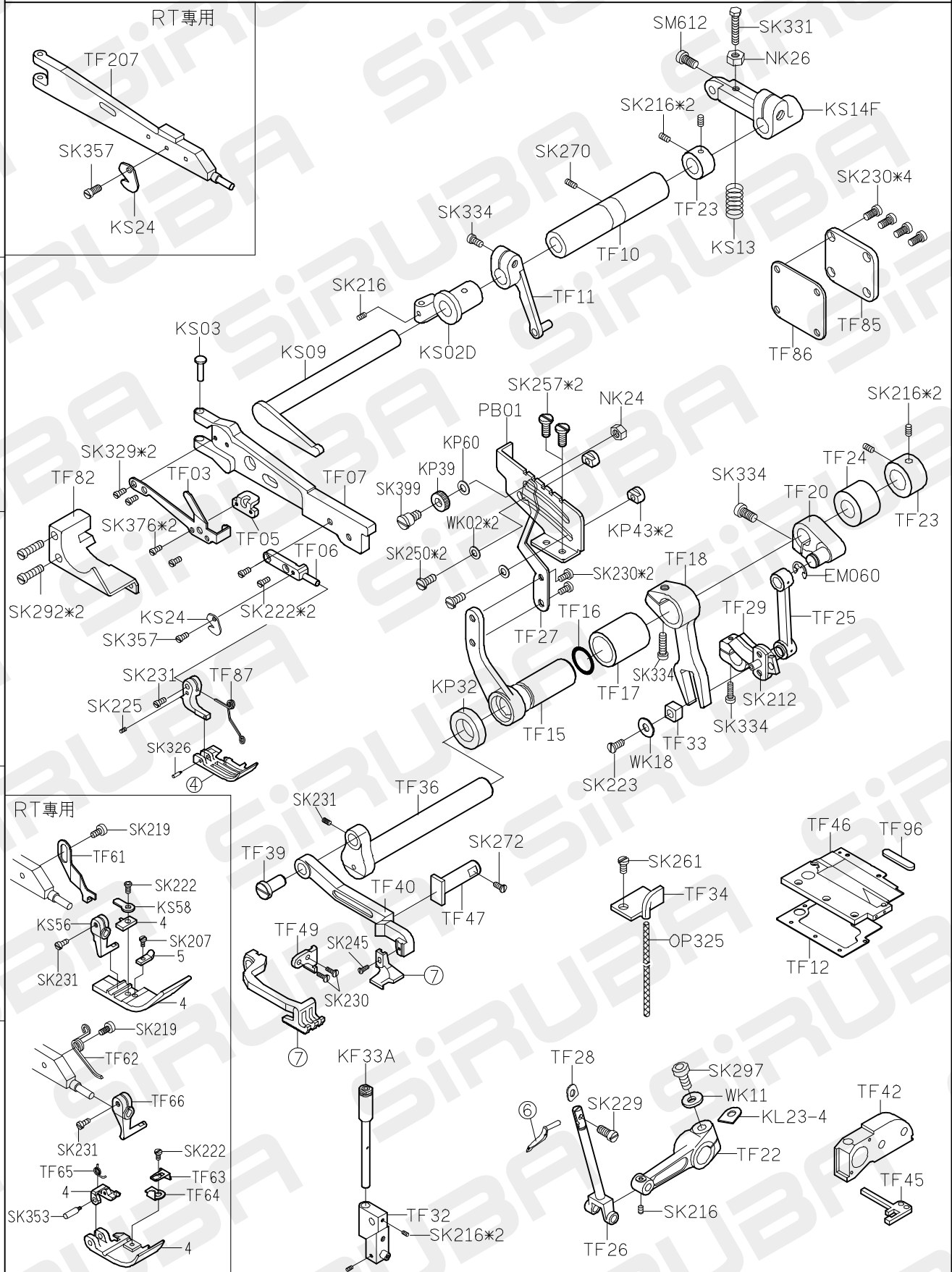


KZ26T-1



KZ53T

700DFT PARTS LIST FOR TF GROUP P.1/2



FOR DFT

700DFT PARTS LIST FOR TF GROUP P.2/2

A

B

C

D

E

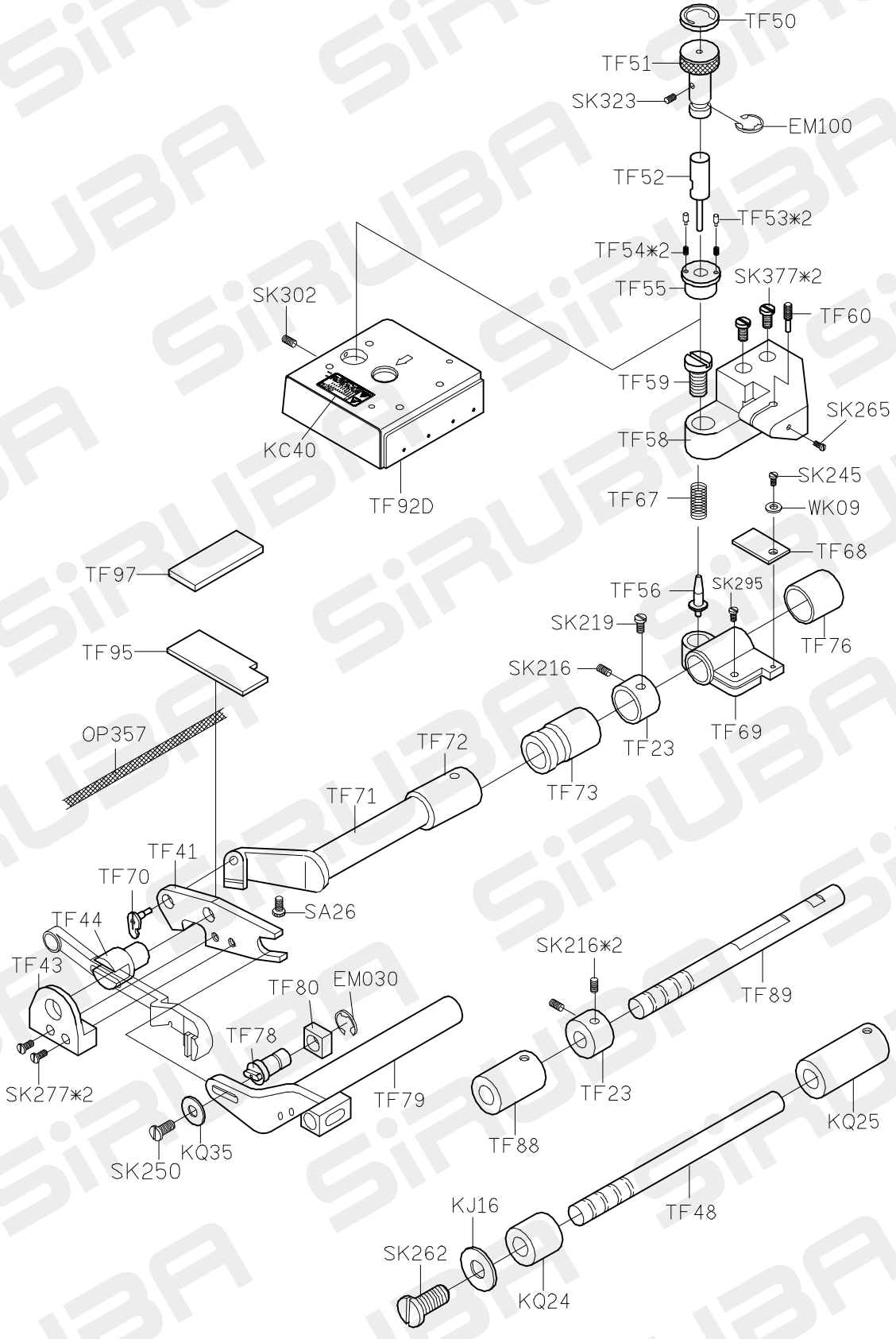


TABLE CUT-OUT OF 747DFT-T1

FOR DFT
 單位/UNIT:mm
 所有尺寸公差/DIFFERENCE:±2
 747DFT-T1-1070長度(L):1070/重量
 747DFT-T1長度(L):1200/重量
 全封邊灰格紋光塑面台板

