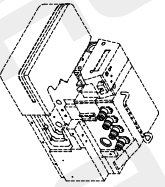
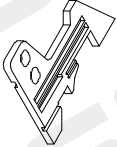
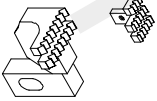










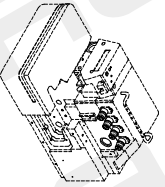
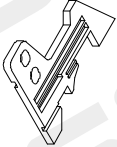
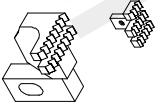



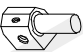




# 拷克車規格件表 / CONVERSION SHART

機 型 MODEL	針板 NEEDLE PLATE	送 具 FEED DOG	送 具 FEED DOG	押 具 PRESSER FOOT	勾 針 LOOPER	針留 NEEDLE CLAMP	束 子 COLLAR	衝 程 CRANK	衝 程 CRANK	針 號 NEEDLE	
737F-504M1-15	E934D	D438	D912	H442	P152D-2	LP26	KG131-E	KJ10F	KF25-A	KJ09B-E	DCX27#9
737F-504M2-04	E800	D440	D095	H445	P253E-3	LP26	KG131-E	KJ10F	KF25-A	KJ09B-E	DCX27#11
737F-504M2-04CT	E800C	D440	D095	H445	P253E-3	LP26	KG131-E	KJ10F	KF25-A	KJ09B-E	DCX27#11
737F-504M2-04LFC-2	E800	D440	D095	H445	P101-3	LP26	KG131-E	KJ10F	KF25-A	KJ09B-E	DCX27#11
737F-504M2-04LFC-2/EC	E800C	D440	D095	H445	P101-3	LP26	KG131-E	KJ10F	KF25-A	KJ09B-E	DCX27#11
737F-504M2-04TR	E011	D015	D011	H445	P101-3	LP26	KG131-E	KJ10F	KF25-A	KJ09B-E	DCX27#11
737F-504M2-04VT	E800	D440	D095	H445	P253E-3	LP26	KG131-E	KJ10F	KF25-A	KJ09B-E	DCX27#11
737F-504M2-04WR/LF-B	E001				LP26	KG131-E	KJ10F	KF25-A	KJ09B-E	DCX27#11	
737F-504M3-05PZ	E797	D440	D674	H445	PZ01-A	LP26	KG131-E	KJ10F	KF25-A	KJ09B-E	DCX27#18
737F-504M3-05	E797	D440	D674	H445	P230-3	LP26	KG131-E	KJ10F	KF25-A	KJ09B-E	DCX27#11
737F-504M3-05CT	E797C	D440	D674	H445	P230-3	LP26	KG131-E	KJ10F	KF25-A	KJ09B-E	DCX27#11
737F-504M3-05VT	E797	D440	D674	H445	P230-3	LP26	KG131-E	KJ10F	KF25-A	KJ09B-E	DCX27#11
737F-504M5-04BK	E589F	D969	D675	H974	P975-3	LP26	KG131-E	KJ10F	KF25-A	KJ09B-E	DCX27#11
737F-504M5-04BK/VT	E589F	D969	D675	H974	P975-3	LP26	KG131-E	KJ10F	KF25-A	KJ09B-E	DCX27#11
737F-505F1-04	E784	D438	D674	H442	P152D-3	LP26	KG131-E	KJ10F	KF25-A	KJ09B-E	DCX27#9
737F-505F1-04ES	E784	D438	D674	H442	P152D-3	LP26	KG131-E	KJ10F	KF25-A	KJ09B-E	DCX27#9
737F-505F1-04VT	E784	D438	D674	H442	P152D-3	LP26	KG131-E	KJ10F	KF25-A	KJ09B-E	DCX27#9
737F-504M3-04	E796	D440	D674	H445	P230-3	LP26	KG131-E	KJ10F	KF25-A	KJ09B-E	DCX27#11
737F-505F1-04ES/VT	E784	D438	D674	H442	P152D-3	LP26	KG131-E	KJ10F	KF25-A	KJ09B-E	DCX27#9
737F-504M2-04EC	E800C	D440	D095	H445	P253E-3	LP26	KG131-E	KJ10F	KF25-A	KJ09B-E	DCX27#11
737F-504M1-15VT	E934D	D438	D912	H442	P152D-5	LP26	KG131-E	KJ10F	KF25-A	KJ09B-E	DCX27#9
737F-504M2-04TR/EC	E011C	D011	D015	H445	P101-3	LP26	KG131-E	KJ10F	KF25-A	KJ09B-E	DCX27#11
737F-504F1-04	E784	D438	D674	H442	P152D-3	LP26	KG131-E	KJ10F	KF25-A	KJ09B-E	DCX27#9

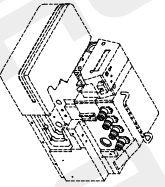
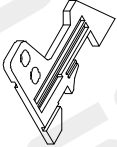
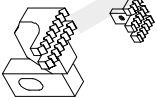








# 拷克車規格件表 / CONVERSION SHART

機 型 MODEL	針板 NEEDLE PLATE	送 具 FEED DOG	送 具 FEED DOG	押 具 PRESSER FOOT	勾 針 LOOPER	針留 NEEDLE CLAMP	束 子 COLLAR	衝 程 CRANK	衝 程 CRANK	針 號 NEEDLE
										
737F-504F1-15	E471	D471 D472	H471	P471-A	LP26	KG131-E	KJ10F	KF25-A	KJ09B-E	DCX27#9
747F-512M1-25	E920	D440 D095	H445	P253E-4	LP36	KG142-E	KJ13F	KF26-A	KJ11B-E	DCX27#11*2
747F-512M1-25CT	E920C	D440 D095	H445	P253E-4	LP36	KG142-E	KJ13F	KF26-A	KJ11B-E	DCX27#11*2
747F-514H4-24GA	E919	D958 D095	H959	P136-A	LP26	KG142-E	KJ13F	KF26-A	KJ11B-E	DCX27#11*2
747F-514H4-24GA/CT	E919C	D958 D095	H959	P136-A	LP26	KG142-E	KJ13F	KF26-A	KJ11B-E	DCX27#11*2
747F-514H4-24GA/EC	E919C	D958 D095	H959	P136-A	LP26	KG142-E	KJ13F	KF26-A	KJ11B-E	DCX27#11*2
747F-514H4-24GA/P	E919	D958 D095	H959	P136P-A	LP26	KG142-E	KJ13F	KF26-A	KJ11B-E	DCX27#11*2
747F-514M2-24	E919	D440 D095	H445	P253E-4	LP26	KG142-E	KJ13F	KF26-A	KJ11B-E	DCX27#11*2
747F-514M2-24CT	E919C	D440 D095	H445	P253E-4	LP26	KG142-E	KJ13F	KF26-A	KJ11B-E	DCX27#11*2
747F-514M2-24EC	E919C	D440 D095	H445	P253E-4	LP26	KG142-E	KJ13F	KF26-A	KJ11B-E	DCX27#11*2
747F-514M2-24LF-B	E919	D440 D095	H445	P101-4	LP26	KG142-E	KJ13F	KF26-A	KJ11B-E	DCX27#11*2
747F-514M2-24LFC-2	E919	D440 D095	H445	P101-4	LP26	KG142-E	KJ13F	KF26-A	KJ11B-E	DCX27#11*2
747F-514M2-24LFC-2/EC	E919C	D440 D095	H445	P101-4	LP26	KG142-E	KJ13F	KF26-A	KJ11B-E	DCX27#11*2
747F-514M2-24TG	E919	D440 D095	H445	P254G-4	LP26	KG142-E	KJ13F	KF26-A	KJ11B-E	DCX27#11*2
747F-514M2-24TG/EC	E919C	D440 D095	H445	P254G-4	LP26	KG142-E	KJ13F	KF26-A	KJ11B-E	DCX27#11*2
747F-514M2-24VT	E919	D440 D095	H445	P253E-4	LP26	KG142-E	KJ13F	KF26-A	KJ11B-E	DCX27#11*2
747F-514M2-25TG	E920	D440 D095	H445	P253G-4	LP26	KG142-E	KJ13F	KF26-A	KJ11B-E	DCX27#11*2
747F-514M2-25	E920	D440 D095	H445	P253E-4	LP26	KG142-E	KJ13F	KF26-A	KJ11B-E	DCX27#11*2
747F-514M2-25CT	E920C	D440 D095	H445	P253E-4	LP26	KG142-E	KJ13F	KF26-A	KJ11B-E	DCX27#11*2
747F-514M2-28	E992	D440 D095	H445	P992-A	LP26	KG142-E	KJ13F	KF26-A	KJ11B-E	DCX27#11*2
747F-514M4-23	E804	D440 D674	H445	P230-A	LP26	KG142-E	KJ13F	KF25-A	KJ11B-E	DCX27#11*2
747F-514M4-23CT	E804C	D440 D674	H445	P230-A	LP26	KG142-E	KJ13F	KF25-A	KJ11B-E	DCX27#11*2
747F-514M5-23BK	E591B	D969 D675	H974	P975-4	LP26	KG142-E	KJ13F	KF26-A	KJ11B-E	DCX27#11*2

# 拷克車規格件表 / CONVERSION SHART

機 型 MODEL	針板 NEEDLE PLATE	送 具 FEED DOG	送 具 FEED DOG	押 具 PRESSER FOOT	勾 針 LOOPER	針留 NEEDLE CLAMP	束 子 COLLAR	衝 程 CRANK	衝 程 CRANK	針 號 NEEDLE	
											
747F-514M7-23	E804A	D441	D674	H446	P230-A	LP38	KG142-E	KJ13F	KF26-A	KJ11B-E	DCX27#16*2
747F-514M7-23CT	E804AC	D441	D674	H446	P230-A	LP38	KG142-E	KJ13F	KF26-A	KJ11B-E	DCX27#11*2
747F-514M7-24	E919A	D441	D095	H446	P253E-4	LP38	KG142-E	KJ13F	KF26-A	KJ11B-E	DCX27#16*2
747F-514M7-24CT	E919AC	D441	D095	H446	P253E-4	LP38	KG142-E	KJ13F	KF26-A	KJ11B-E	DCX27#16*2
747F-514M7-24TG	E919A	D441	D095	H446	P254G-4	LP38	KG142-E	KJ13F	KF26-A	KJ11B-E	DCX27#16*2
747F-514M7-25	E920A	D441	D095	H446	P253E-4	LP38	KG142-E	KJ13F	KF26-A	KJ11B-E	DCX27#16*2
747F-514M7-25BK	E920B	D441B	D095	H446B	P253E-4	LP38	KG142-E	KJ13F	KF26-A	KJ11B-E	DCX27#16*2
747F-514M7-25BK/AN	E920B	D441B	D095	H446B	P253E-4	LP38	KG142-E	KJ13F	KF26-A	KJ11B-E	DCX27#16*2
747F-514M7-25AN	E920A	D441	D095	H446	P253E-4	LP38	KG142-E	KJ13F	KF26-A	KJ11B-E	DCX27#16*2
747F-514M7-25CT	E920AC	D441	D095	H446	P253E-4	LP38	KG142-E	KJ13F	KF26-A	KJ11B-E	DCX27#16*2
747F-514M7-25TG	E920A	D441	D095	H446	P254G-4	LP38	KG142-E	KJ13F	KF26-A	KJ11B-E	DCX27#16*2
747F-514M7-25TG/AN	E920A	D441	D095	H446	P254G-4	LP38	KG142-E	KJ13F	KF26-A	KJ11B-E	DCX27#16*2
747F-514F1-24	E990	D438	D674	H442	P152D-4	LP26	KG142-E	KJ13F	KF26-A	KJ11B-E	DCX27#11*2
747F-514M5-23BK/VT	E591B	D675	D969	H974	P975-4	LP26	KG142-E	KJ13F	KF26-A	KJ11B-E	DCX27#11*2
747F-512M1-34	E832	D440	D095	H447	P253E-A	LP36	KG143-E	KJ13F	KF26-A	KJ11B-E	DCX27#14*2
757F-401M1/TW	E110			H101	P767-A	LP26	KG153-E		KF26-A		DCX27#14*2
757F-401M2-50TA	E005	D005	D006	H005	P005-A		TA155-E		KF26-A		DCX27#14*2
757F-401M2-50TA/EC	E005C	D005	D006	H005	P005-A		TA155-E		KF26-A		DCX27#14*2
757F-516H2-56	E868	D490	D502	H501	P502-A	LP38	KG155-E	KJ13F	KF26-A	KJ11B-E	DCX27#18*2
757F-516H2-56CT	E868C	D490	D502	H501	P502-A	LP38	KG155-E	KJ13F	KF26-A	KJ11B-E	DCX27#18*2
757F-516H4-35GA	E982	D008	D502	H957	P508-A	LP26	KG153-E	KJ10F	KF25-A	KJ09B-E	DCX27#14*2
757F-516H4-35GA/EC	E982C	D008	D502	H957	P508-A	LP26	KG153-E	KJ10F	KF25-A	KJ09B-E	DCX27#14*2
757F-516H4-35GA/P	E982	D008	D502	H957	P508P-A	LP26	KG153-E	KJ10F	KF25-A	KJ09B-E	DCX27#14*2

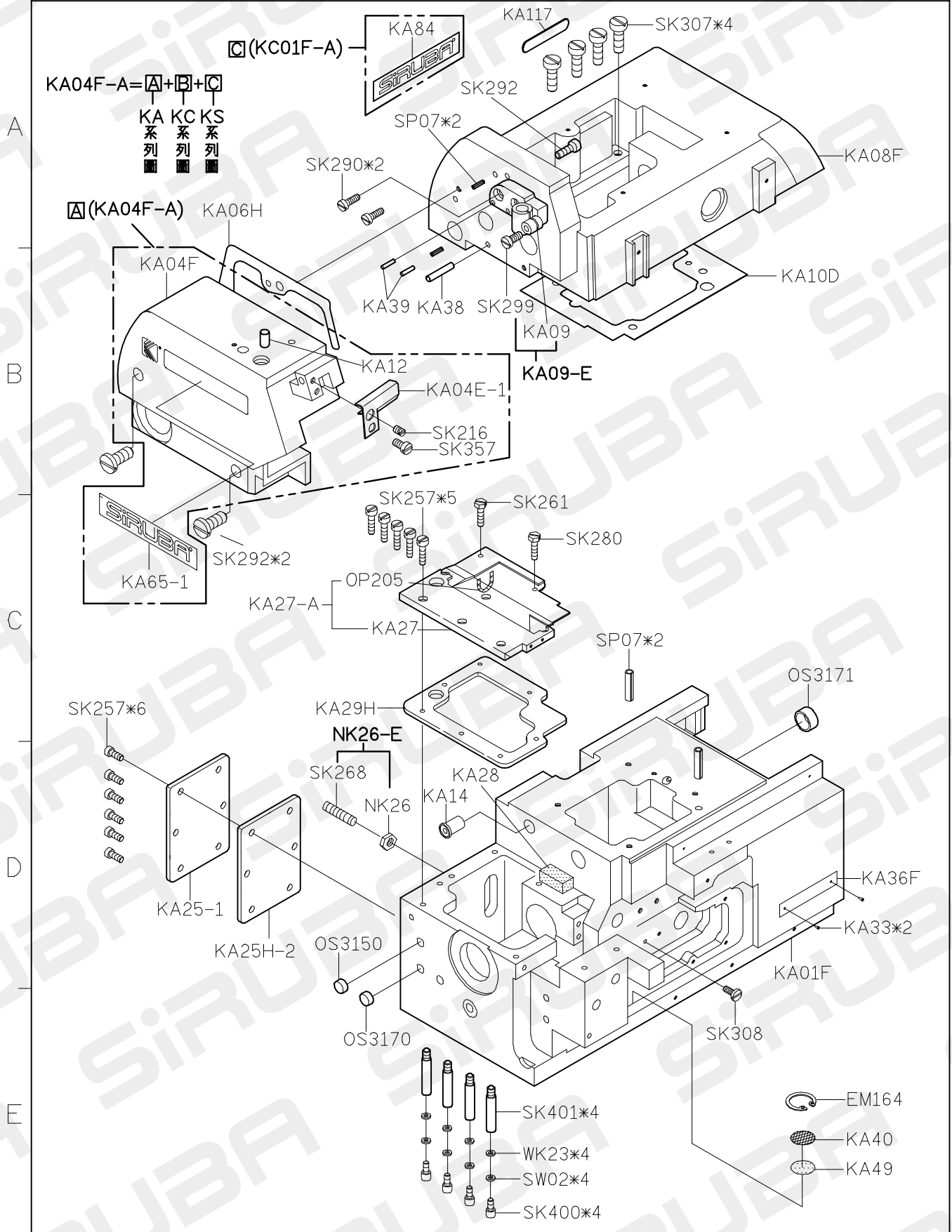
# 拷克車規格件表 / CONVERSION SHART

機 型 MODEL	針板 NEEDLE PLATE	送 具 FEED DOG	送 具 FEED DOG	押 具 PRESSER FOOT	勾 針 LOOPER	針留 NEEDLE CLAMP	束 子 COLLAR	衝 程 CRANK	衝 程 CRANK	針 號 NEEDLE
										
757F-516H4-35GA/P/EC	E9822C	D008 D502	H957	P508P-A	LP26	KG153-E	KJ10F	KF25-A	KJ09B-E	DCX27#14*2
757F-516H4-55GA	E986	D956 D502	H957	P509-A	LP26	KG155-E	KJ10F	KF25-A	KJ09B-E	DCX27#14*2
757F-516H4-55GA/EC	E986C	D956 D502	H957	P509-A	LP26	KG155-E	KJ10F	KF25-A	KJ09B-E	DCX27#14*2
757F-516H4-55GA/P	E986	D956 D502	H957	P509P-A	LP26	KG155-E	KJ10F	KF25-A	KJ09B-E	DCX27#14*2
757F-516H4-55GA/P/EC	E986C	D956 D502	H957	P509P-A	LP26	KG155-E	KJ10F	KF25-A	KJ09B-E	DCX27#14*2
757F-516L1-24	E834	D487 D060	H492	P500-A	LP26	KG152-E	KJ10F	KF25-A	KJ09B-E	DCX27#14*2
757F-516L1-24CT	E834C	D487 D060	H492	P500-A	LP26	KG152-E	KJ10F	KF25-A	KJ09B-E	DCX27#14*2
757F-516L1-35	E839	D487 D060	H492	P504-A	LP26	KG153-E	KJ10F	KF25-A	KJ09B-E	DCX27#14*2
757F-516L1-35CT	E839C	D487 D060	H492	P504-A	LP26	KG153-E	KJ10F	KF25-A	KJ09B-E	DCX27#14*2
757F-516M2-35	E982	D489 D502	H497	P504-A	LP26	KG153-E	KJ10F	KF25-A	KJ11B-E	DCX27#14*2
757F-516M2-35CT	E982C	D489 D502	H497	P504-A	LP26	KG153-E	KJ10F	KF25-A	KJ11B-E	DCX27#14*2
757F-516M2-35PS	E982S	D489 D502	H497	P504S-A	LP26	KG153-E	KJ10F	KF25-A	KJ11B-E	DCX27#14*2
757F-516M2-35PS/EC	E982SC	D489 D502	H497	P504S-A	LP26	KG153-E	KJ10F	KF25-A	KJ11B-E	DCX27#14*2
757F-516M2-55	E986	D489 D502	H500	P502-A	LP26	KG155-E	KJ10F	KF25-A	KJ11B-E	DCX27#14*2
757F-516M2-55CT	E986C	D489 D502	H500	P502-A	LP26	KG155-E	KJ10F	KF25-A	KJ11B-E	DCX27#14*2
757F-516M2-55PS	E986S	D489 D502	H497	P502S-A	LP26	KG155-E	KJ10F	KF25-A	KJ11B-E	DCX27#14*2
757F-516M2-55PS/EC	E986SC	D489 D502	H497	P502S-A	LP26	KG155-E	KJ10F	KF25-A	KJ11B-E	DCX27#14*2
757F-516X2-56	E870	D490 D502	H501	GP960-A	LP38	KG155-E	KJ13F	KF26-A	KJ11B-E	DCX27#18*2
757F-516X2-56CT	E870C	D490 D502	H501	GP960-A	LP38	KG155-E	KJ13F	KF26-A	KJ11B-E	DCX27#18*2
757F-516X3-56	E870	D490 D502	H501	GP960-A	LP38	KG155A-E	KJ13F	KF26-A	KJ11B-E	TVX64#21*2
757F-516X3-56CT	E870C	D490 D502	H501	GP960-A	LP38	KG155A-E	KJ13F	KF26-A	KJ11B-E	TVX64#21*2
757F-516M2-55/EC	E986C	D489 D502	H500	P502-A	LP26	KG155-E	KJ13F	KF25-A	KJ11B-E	DCX27#14*2
757F-401M1/TW/CT	E110C	/	H101	P767-A	LP26	KG153-E	KJ13F	KF25-A	KJ09B-E	DCX27#14*2

# 拷克車規格件表 / CONVERSION SHART

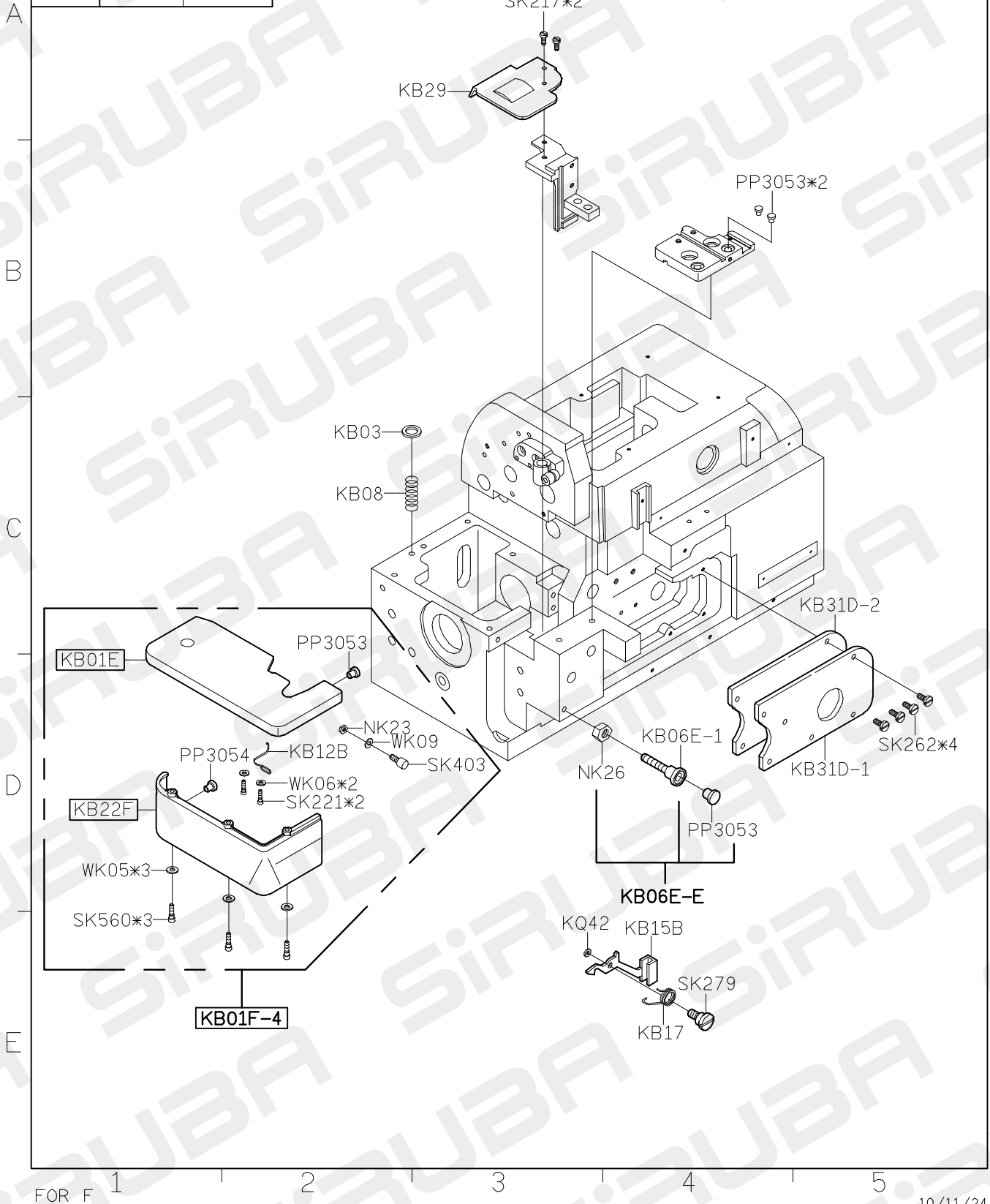
機 型 MODEL	針板 NEEDLE PLATE	送 具 FEED DOG	送 具 FEED DOG	押 具 PRESSER FOOT	勾 針 LOOPER	針留 NEEDLE CLAMP	束 子 COLLER	衝 程 CRANK	衝 程 CRANK	針 號 NEEDLE
767F-516M2-324	E989	D971	D502	H497	LP26	KG333-E	KJ13F	KF26-A	KJ11B-E	DCX27#11*3
767F-516M2-324/CT	E989C	D971	D502	H497	LP26	KG333-E	KJ13F	KF26-A	KJ11B-E	DCX27#11*3
767F-516M2-524	E988	D972	D502	H500	LP26	KG355-E	KJ13F	KF26-A	KJ11B-E	DCX27#11*3
767F-516M2-524CT	E988C	D972	D502	H500	LP26	KG355-E	KJ13F	KF26-A	KJ11B-E	DCX27#11*3

# 700F PARTS LIST FOR KA GROUP P.1/1



# 700F PARTS LIST FOR KB GROUP P.1/1

MODEL	三四線車	五六線車
	KB01E	KB02E
PARTS NO	KB22F	KB23F
	KB01F-4	KB02F-5



# 700F PARTS LIST FOR KC GROUP P.1/1







A


B

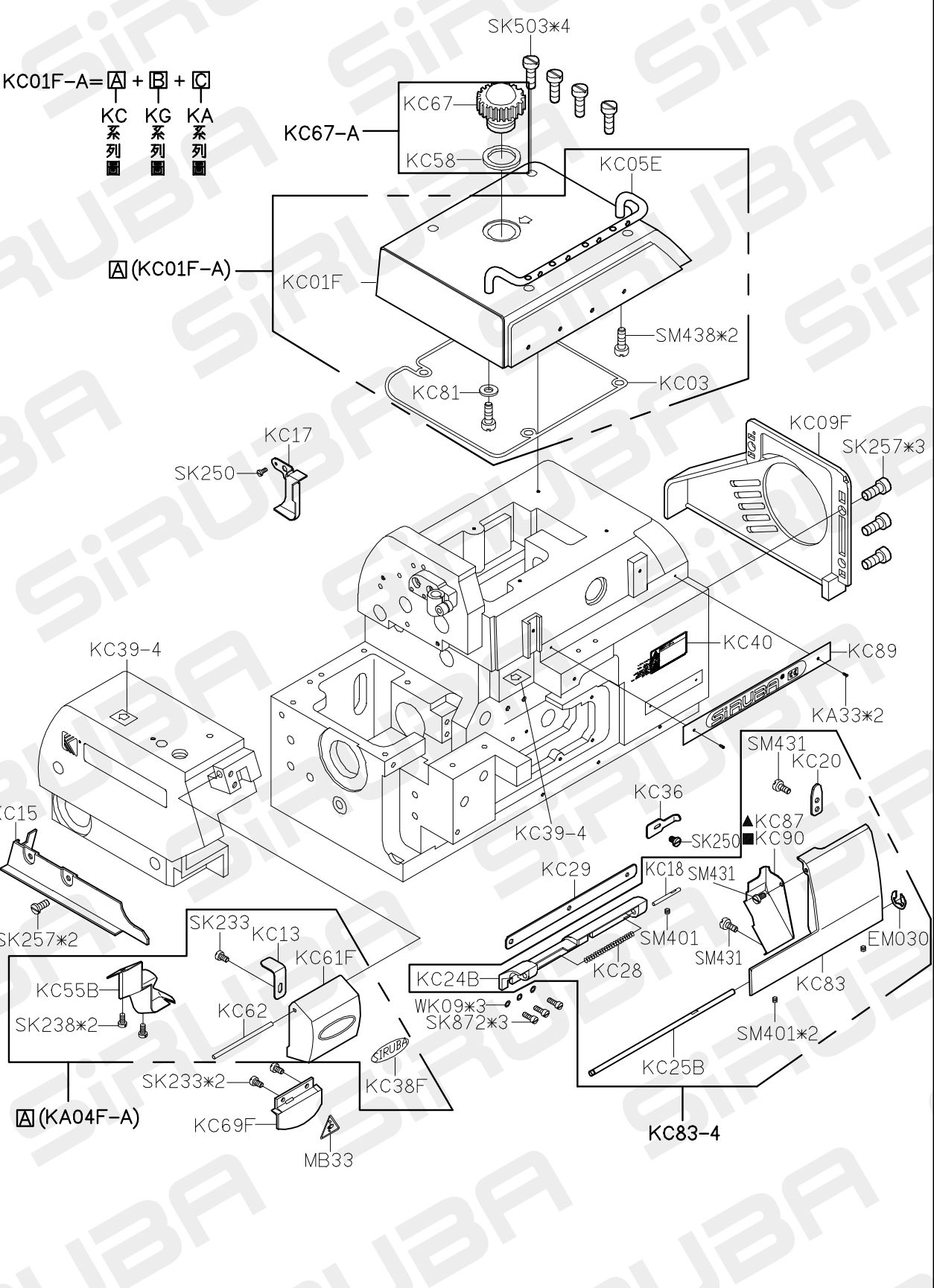
C

D

E

KC01F-A =  +  +   
 KC 系列     KG 系列     KA 系列 

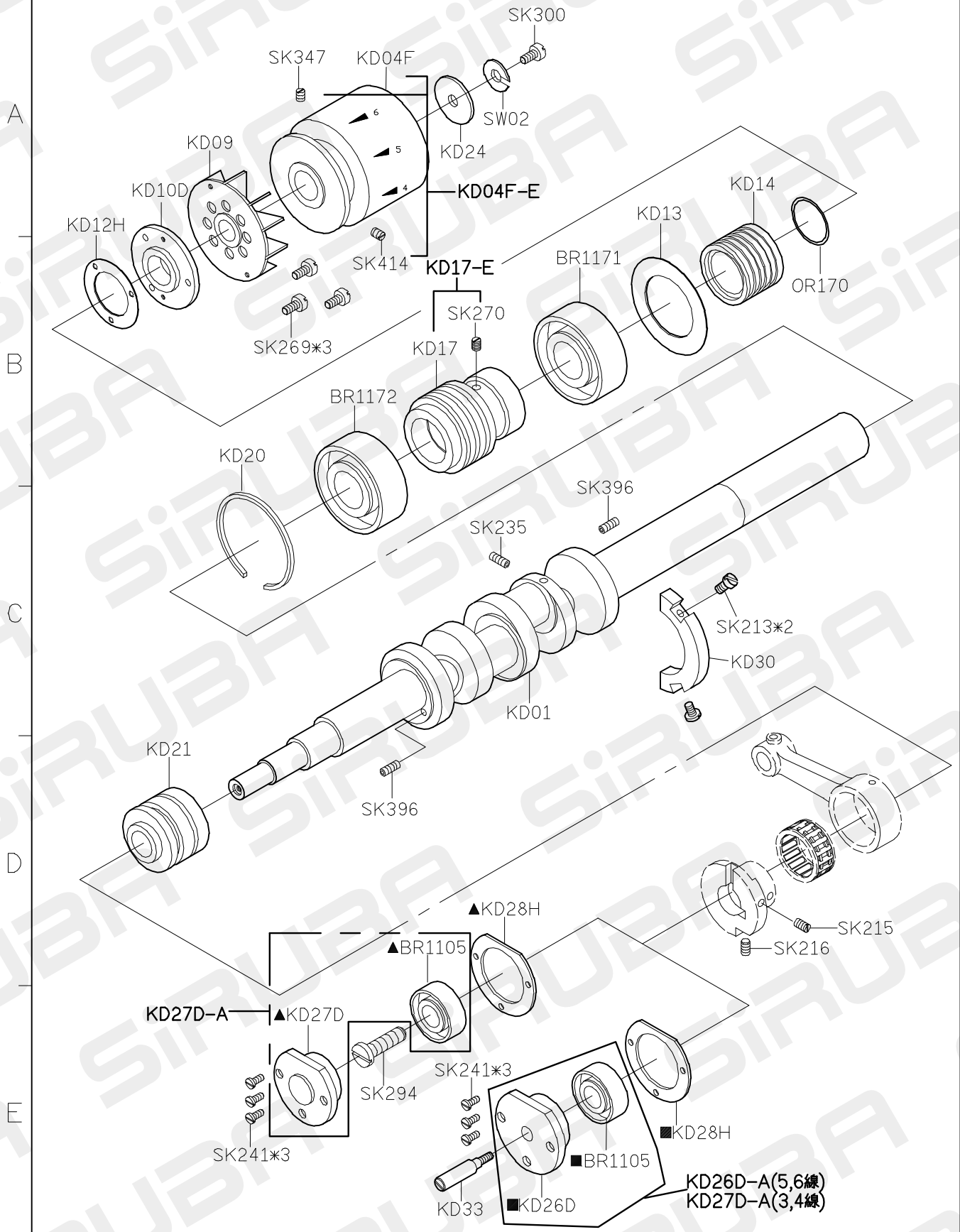
 (KC01F-A)



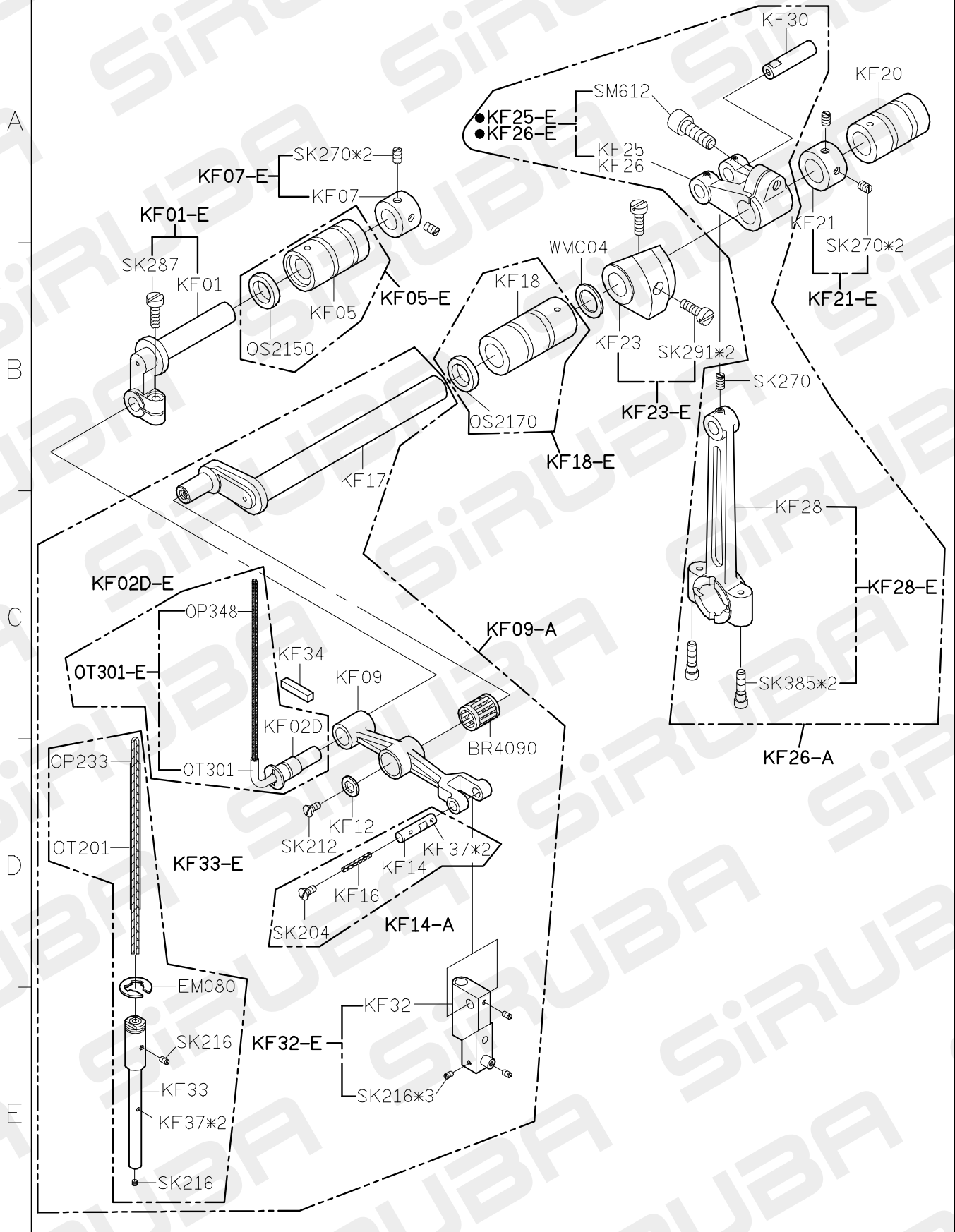
FOR F 1 2 3 4 5



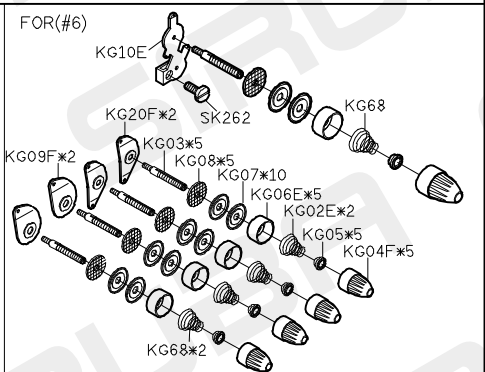
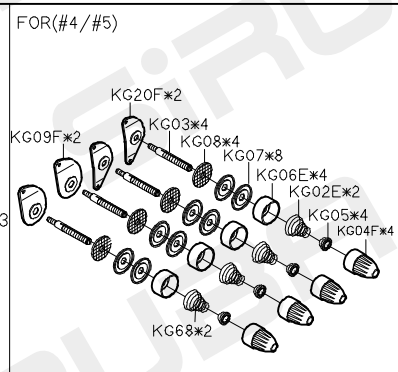
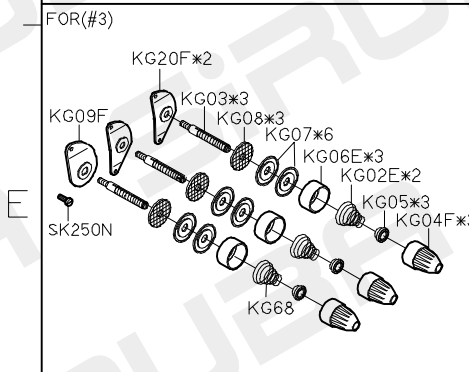
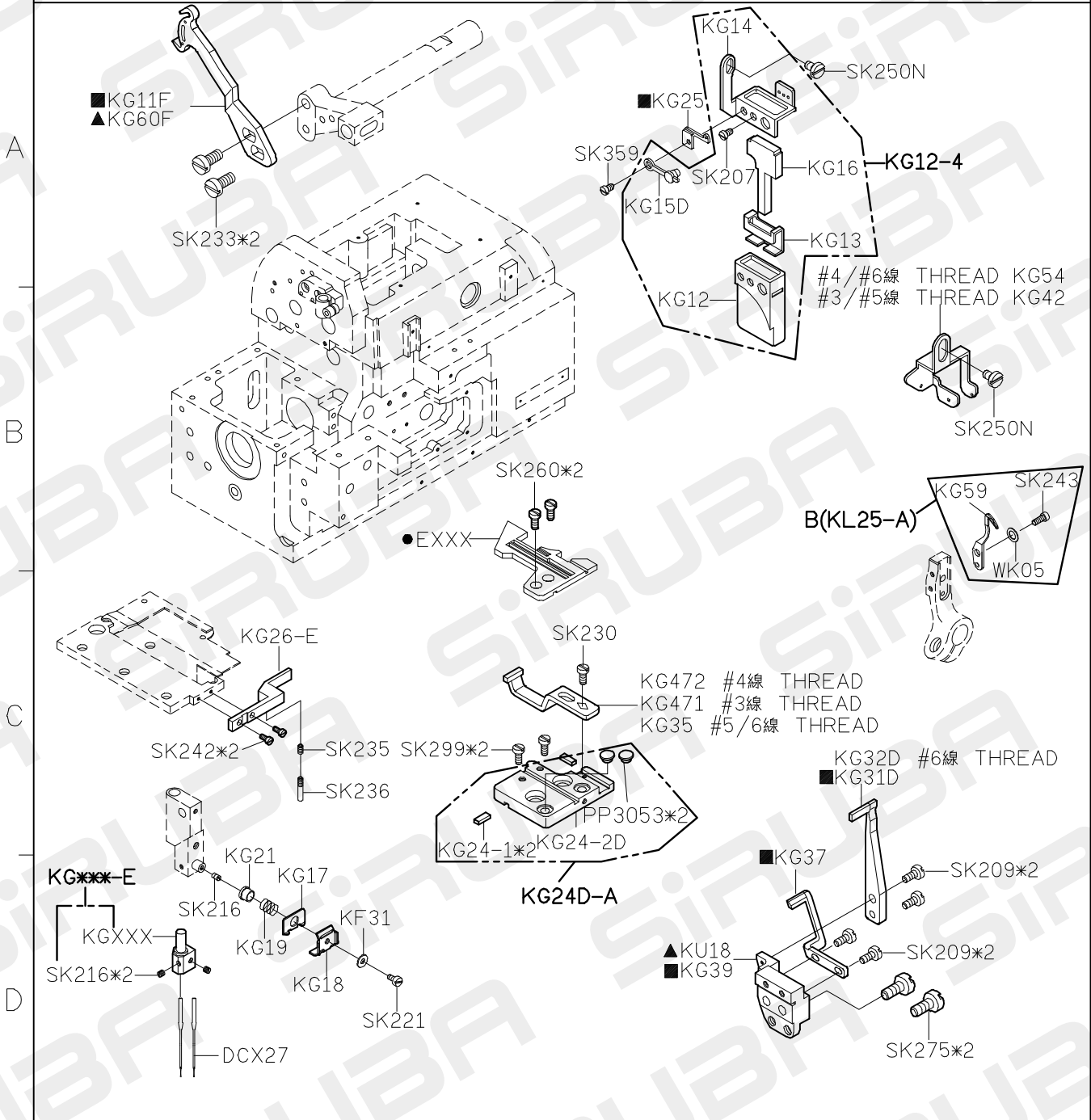
# 700F PARTS LIST FOR KD GROUP P.1/1



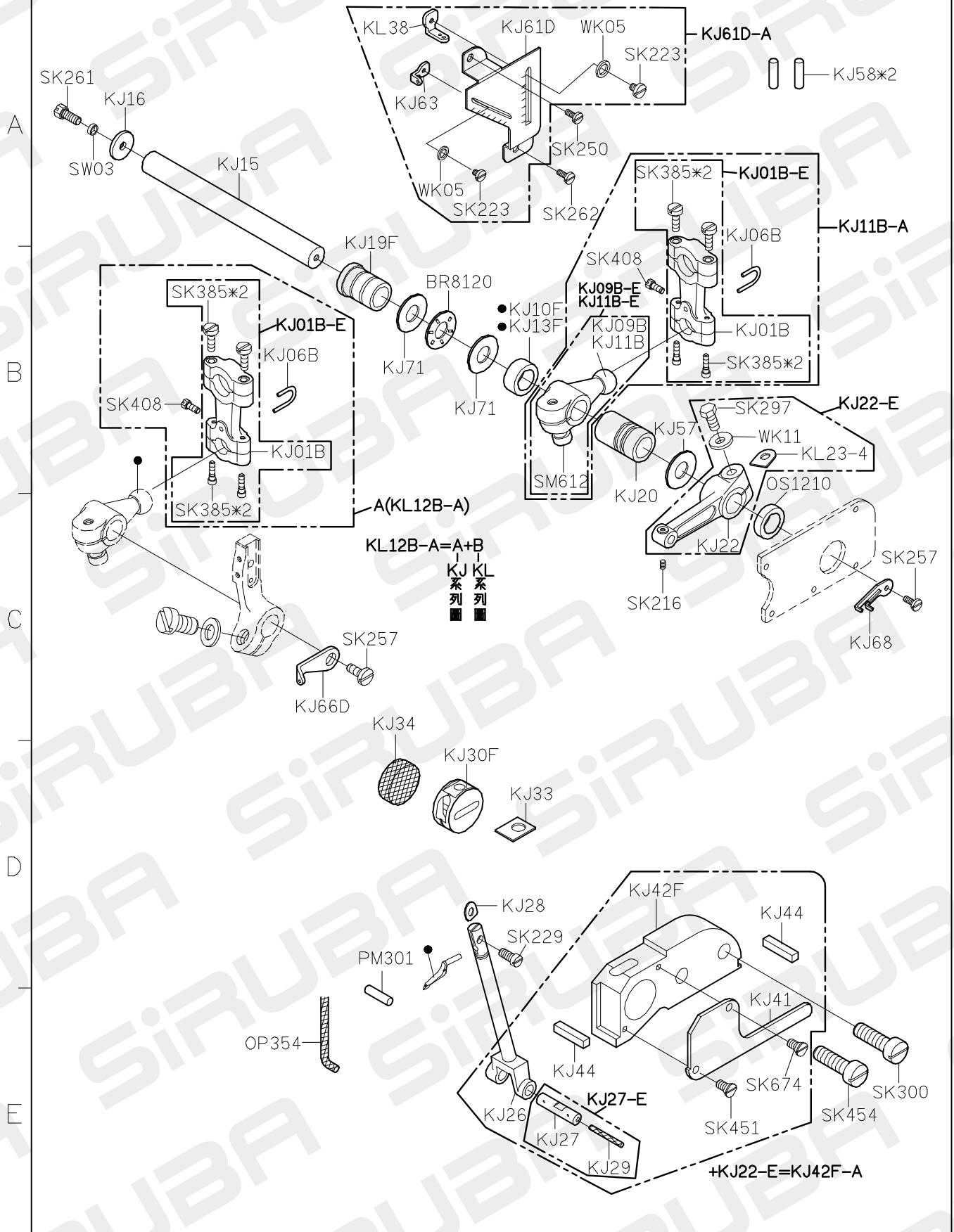
# 700F PARTS LIST FOR KF GROUP P.1/1



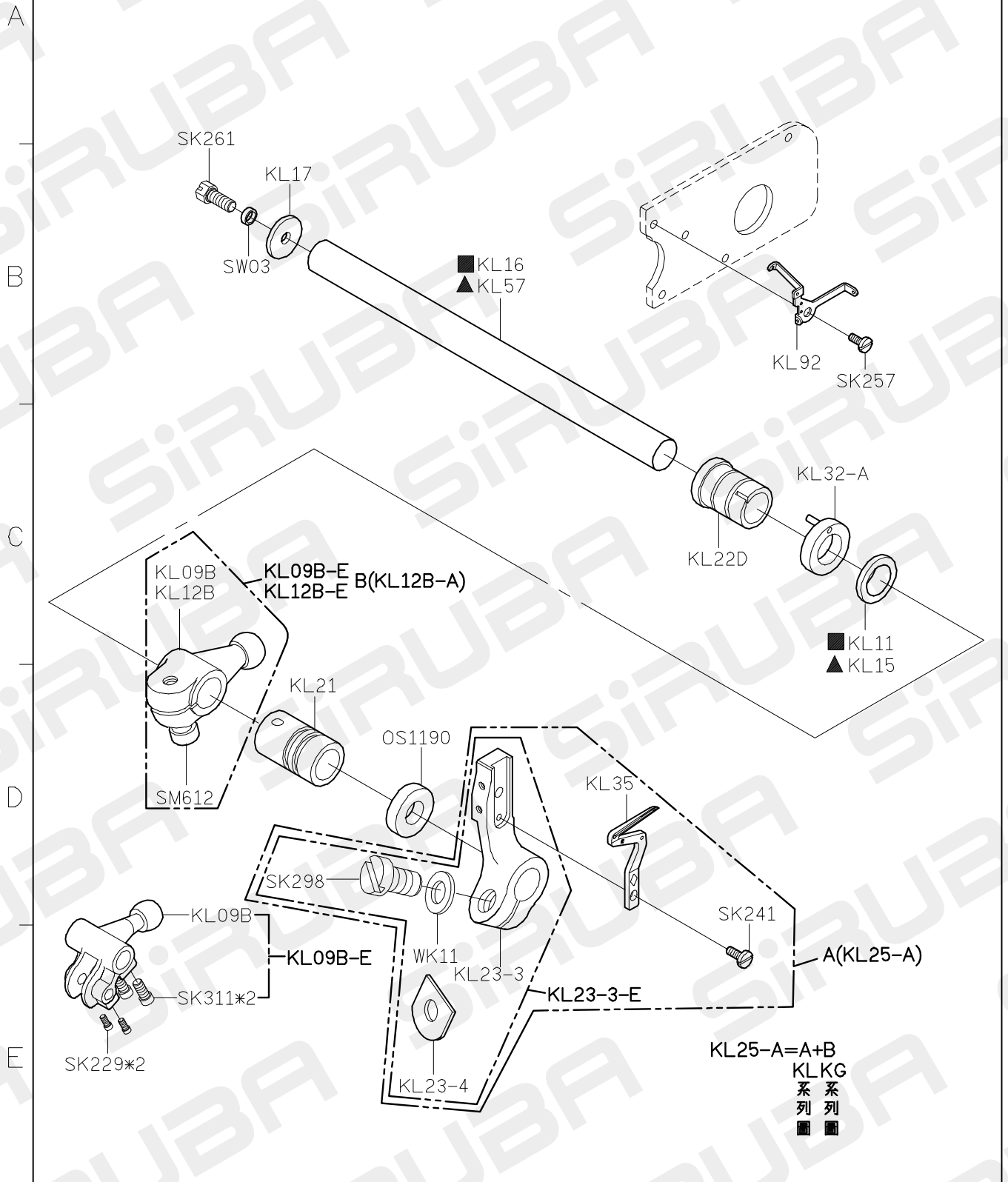
# 700F PARTS LIST FOR KG GROUP P.1/1



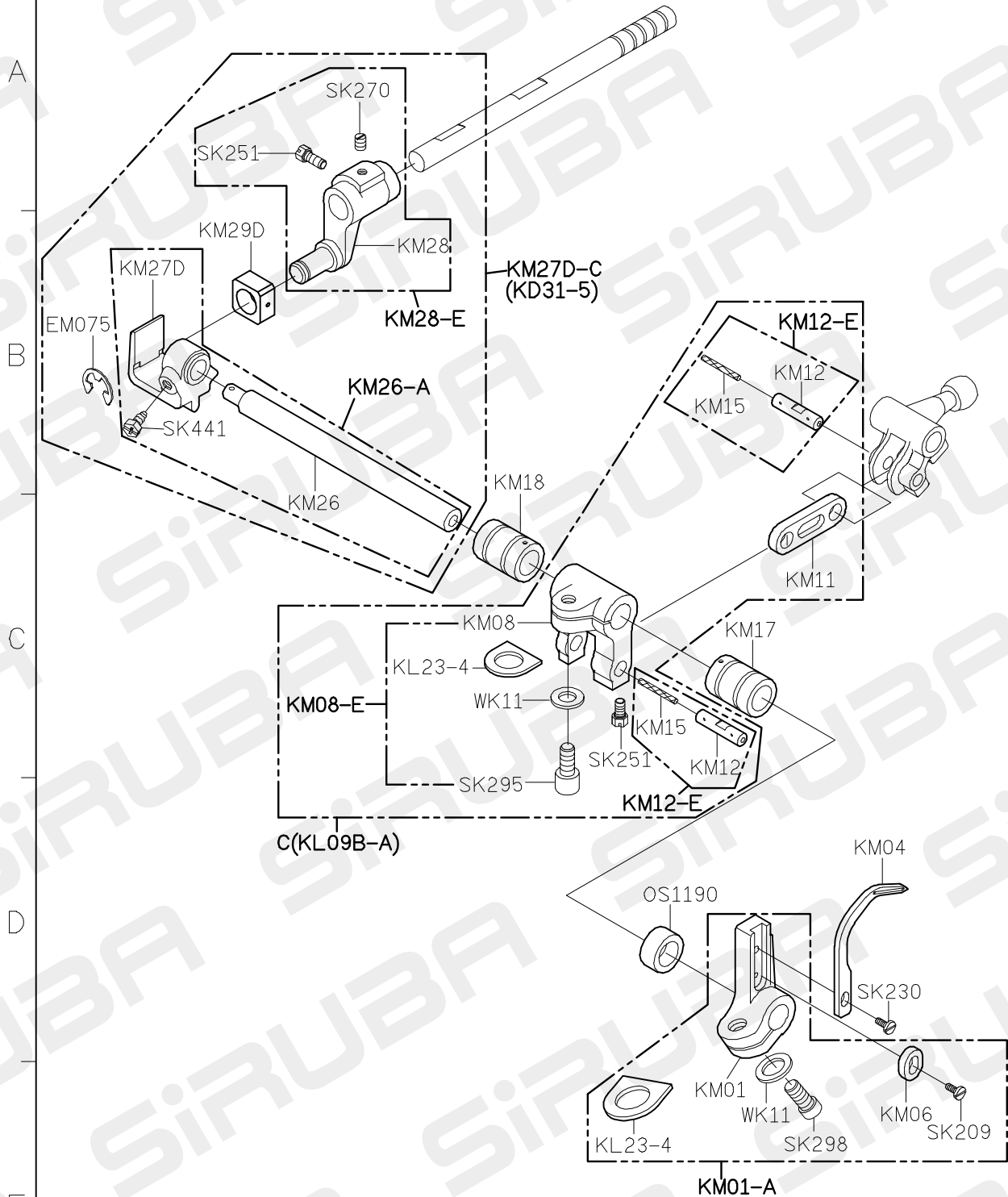
# 700F PARTS LIST FOR KJ GROUP P.1/1



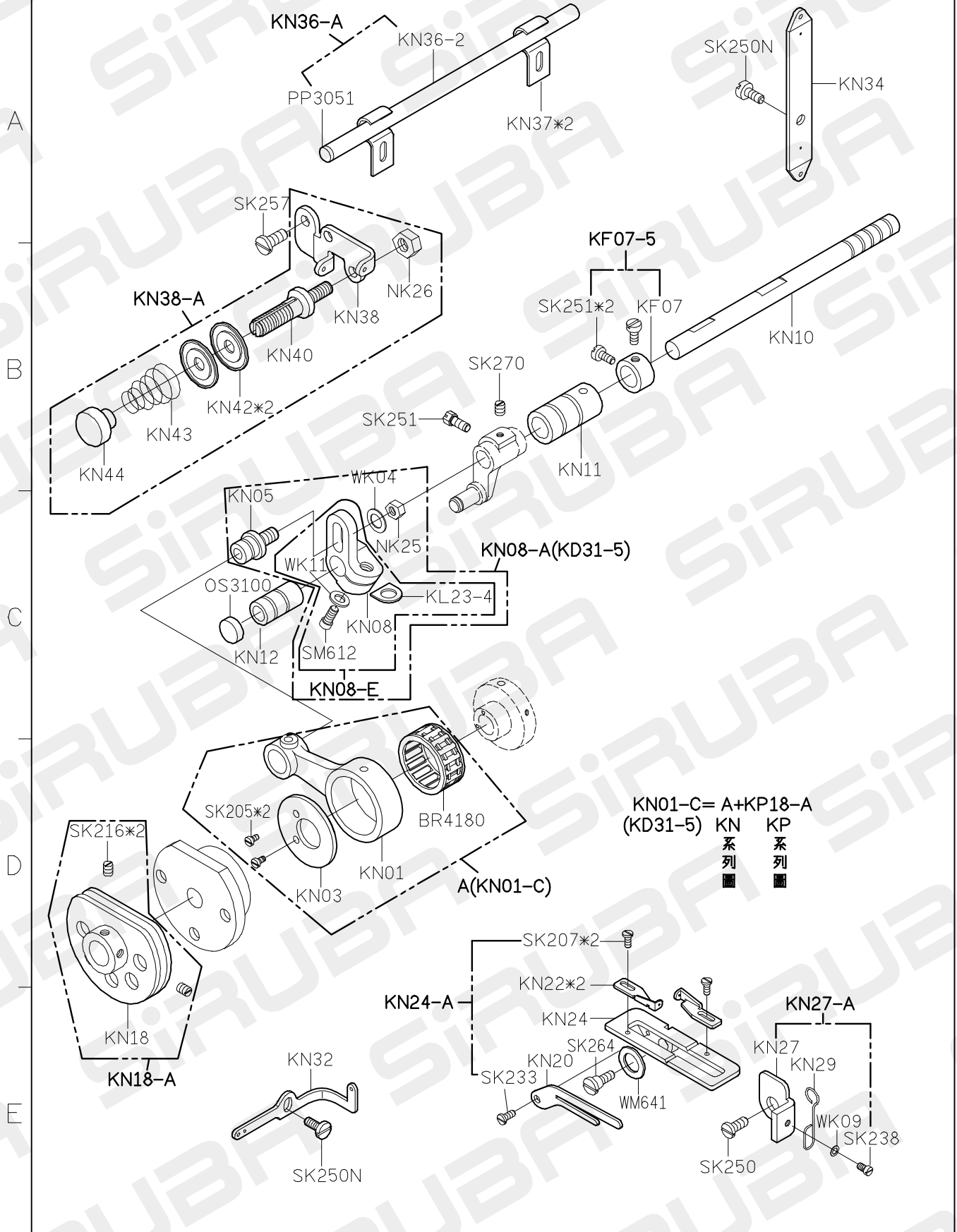
# 700F PARTS LIST FOR KL GROUP P.1/1



# 700F PARTS LIST FOR KM GROUP P.1/1



# 700F PARTS LIST FOR KN GROUP P.1/1



# 700F PARTS LIST FOR KP GROUP P.1/1

MODEL	三四線車	五六線車
PARTS NO	KP59	KP18-2

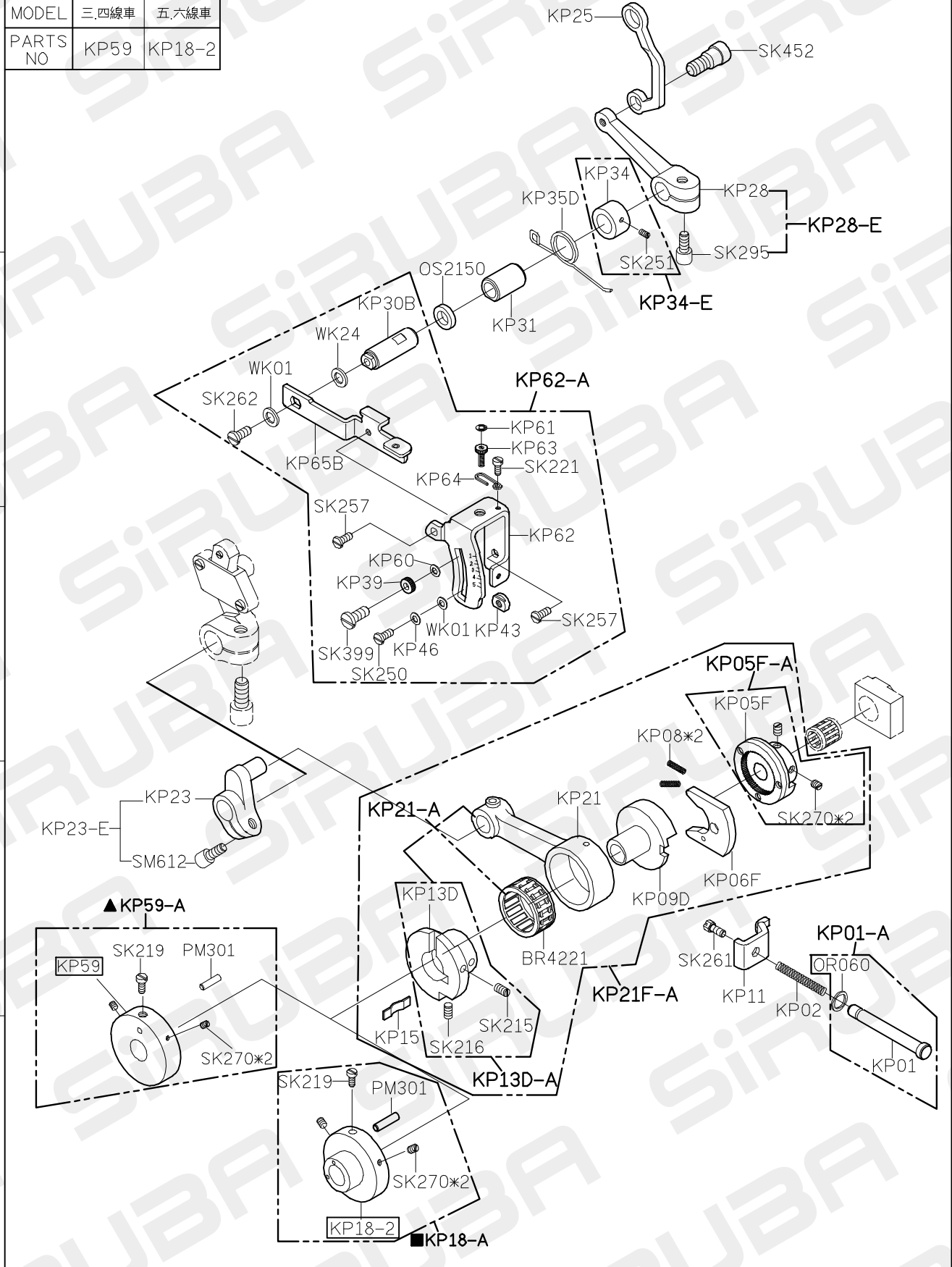
A

B

C

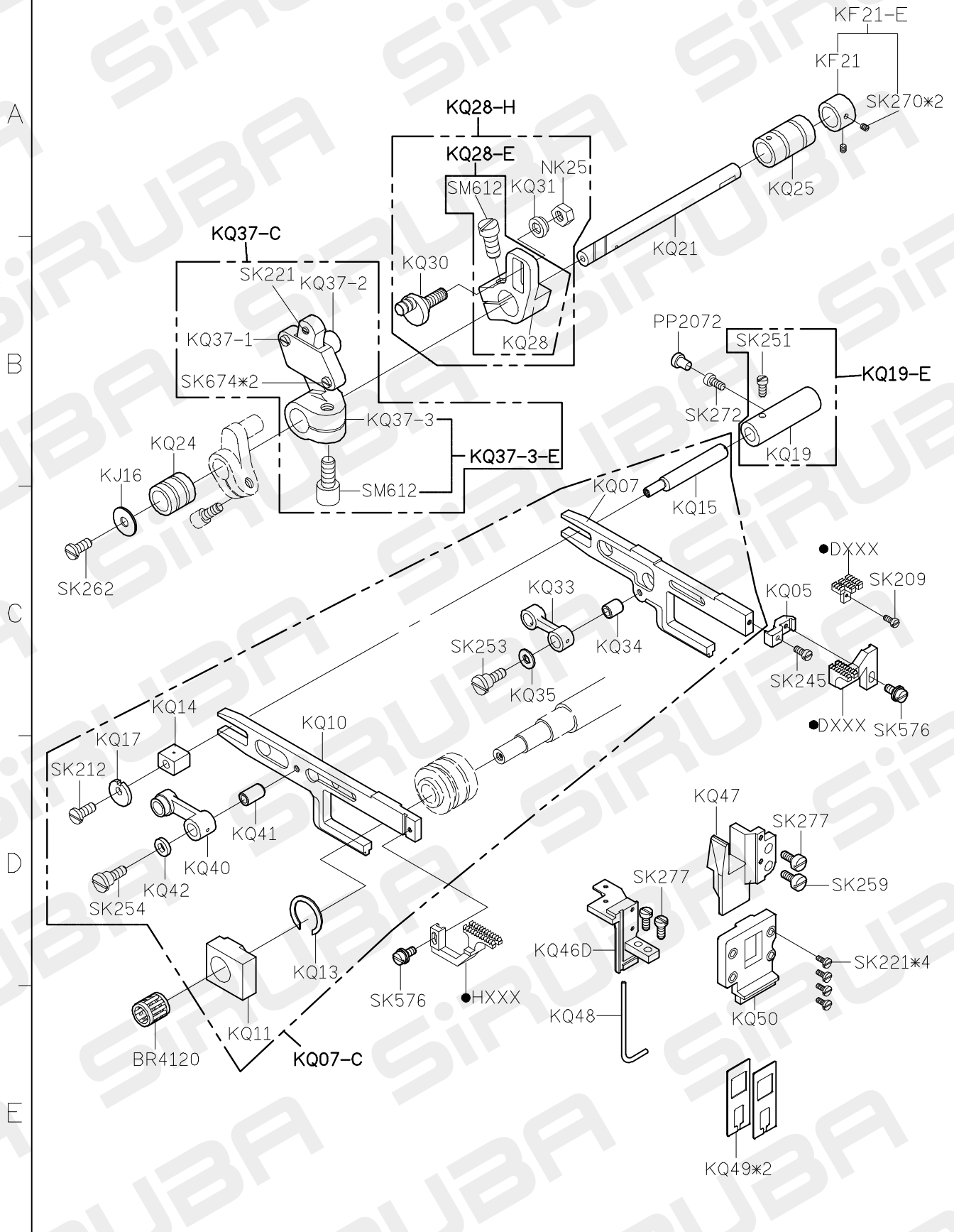
D

E





# 700F PARTS LIST FOR KQ GROUP P.1/1



# 700F PARTS LIST FOR KR GROUP P.1/1

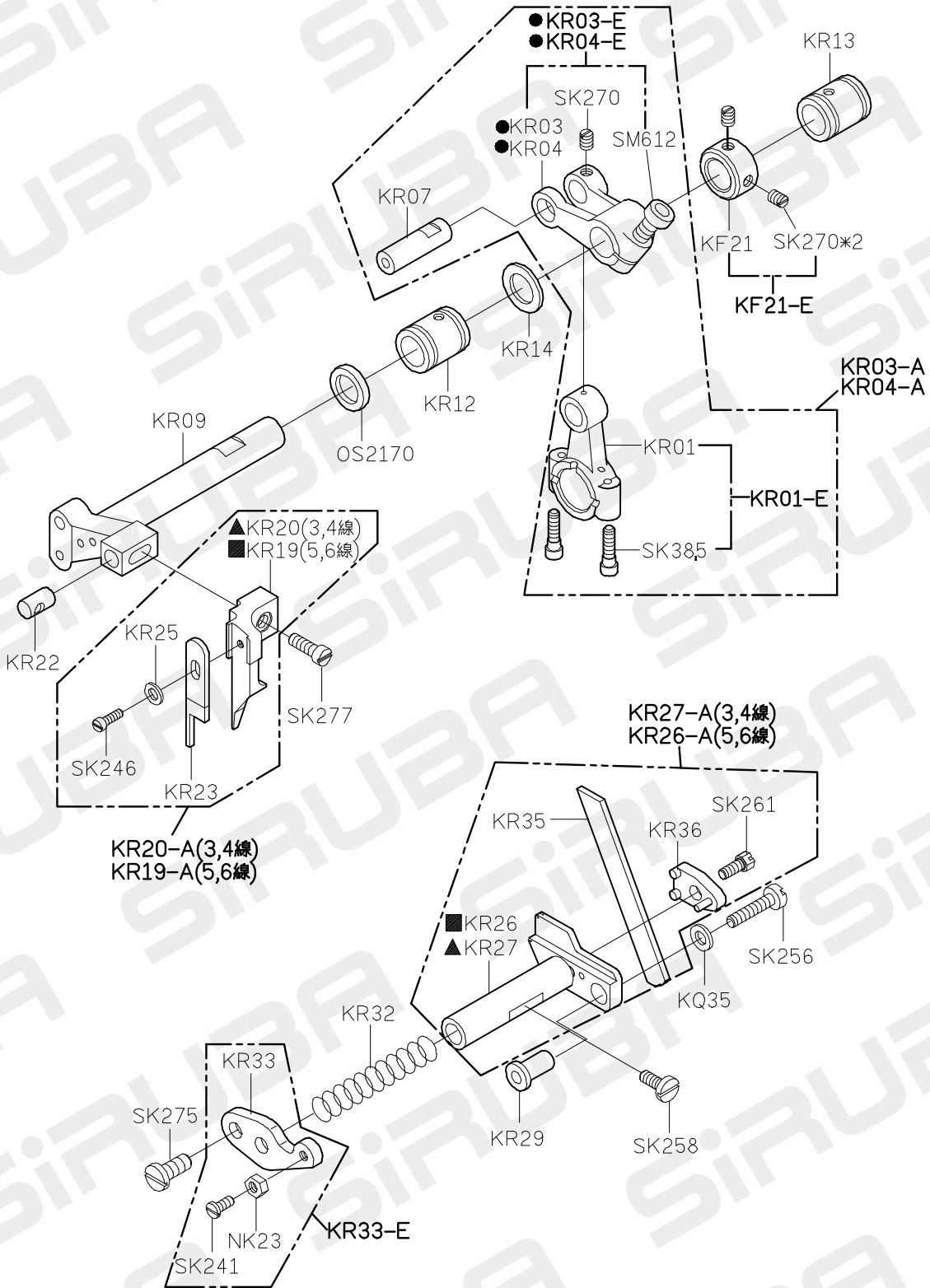
A

B

C

D

E



# 700F PARTS LIST FOR KS GROUP P.1/1

A

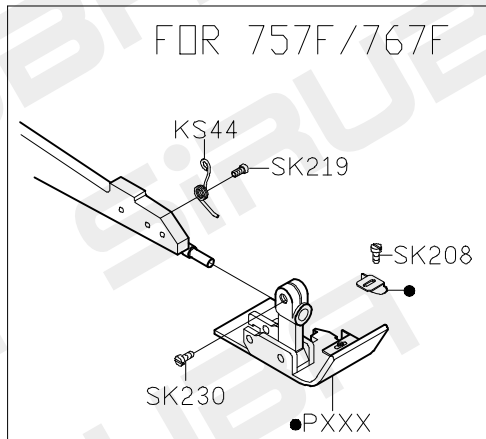
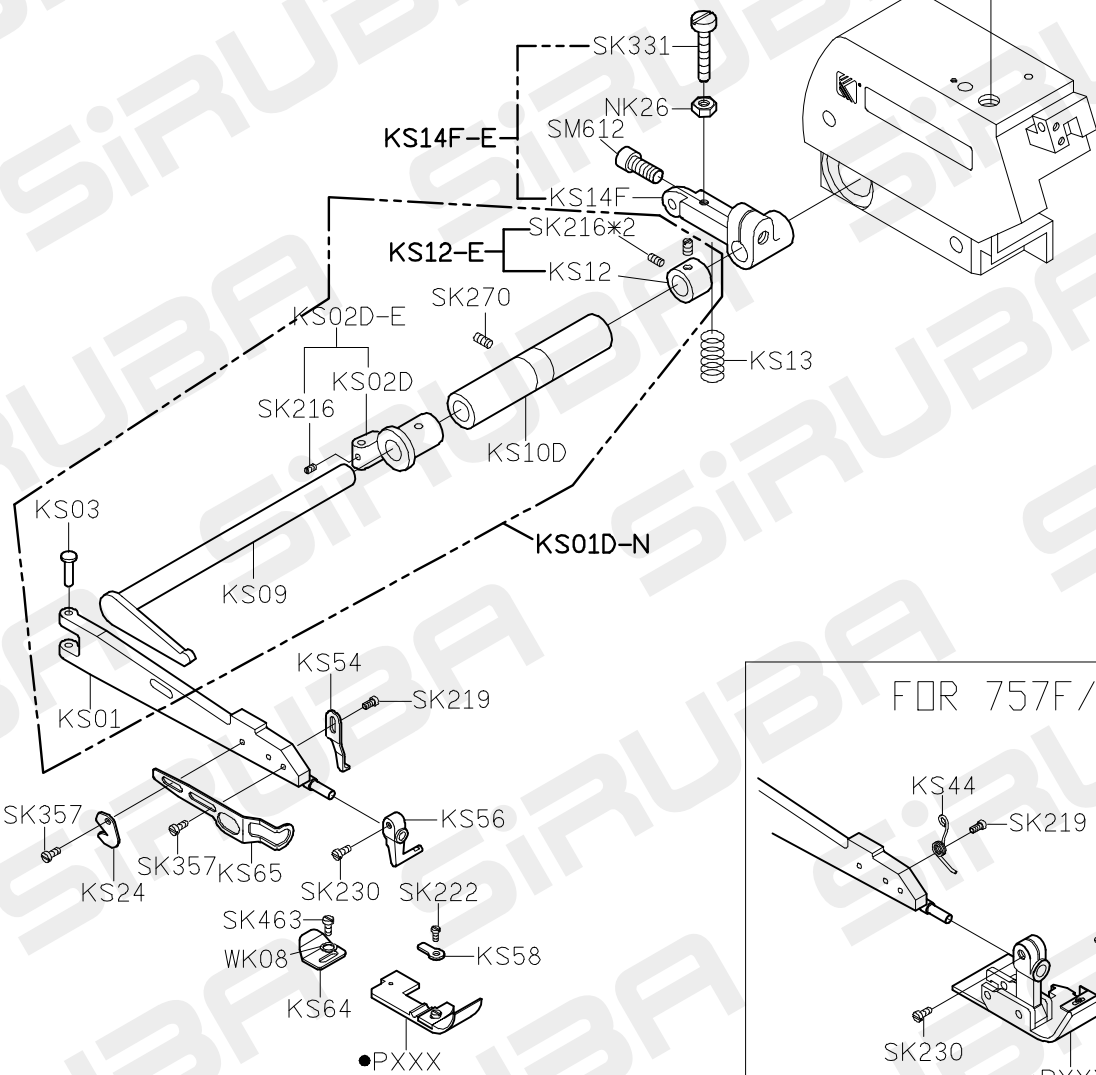
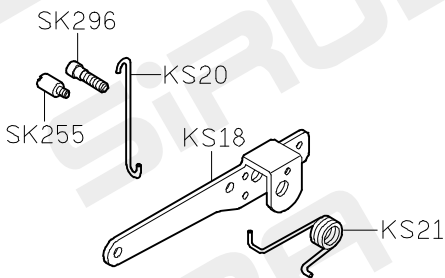
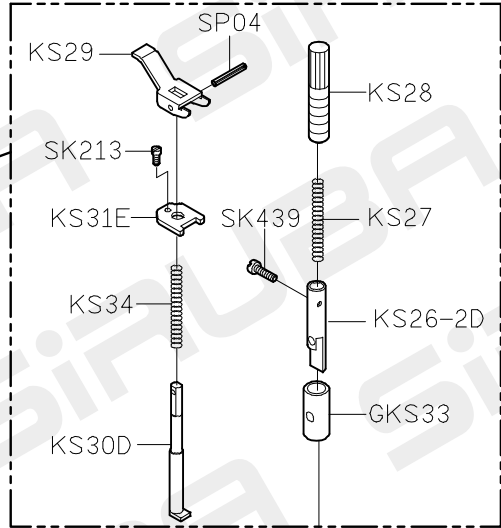
B

C

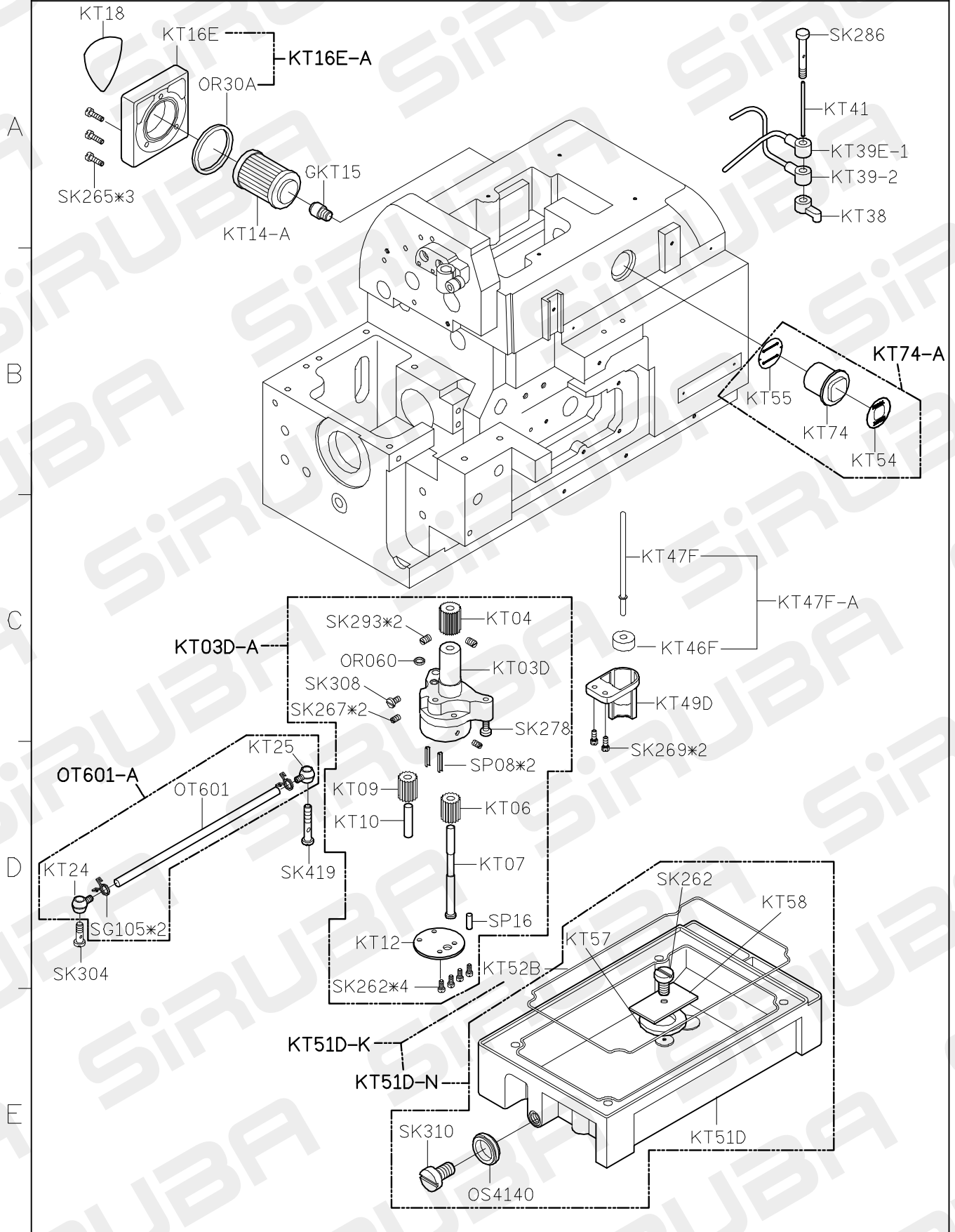
D

E

C  
(KA04F-A)



# 700F PARTS LIST FOR KT GROUP P.1/1



# 700F PARTS LIST FOR KU GROUP P.1/1

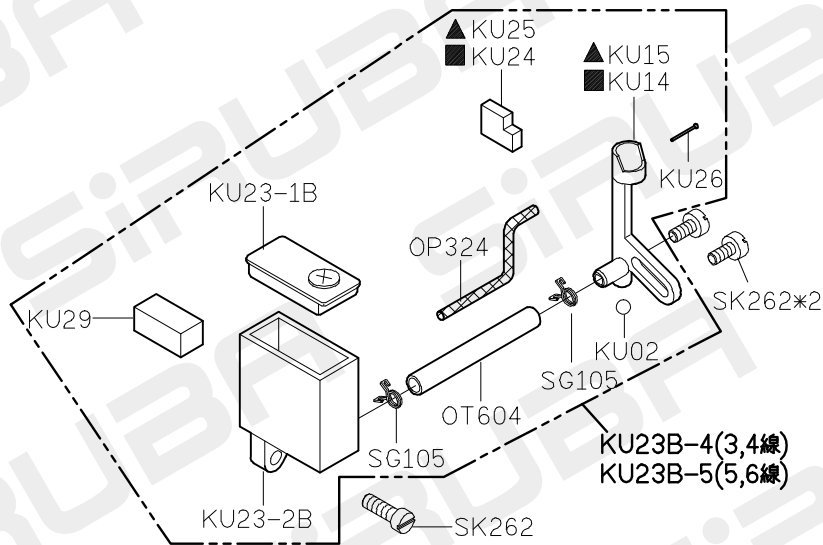
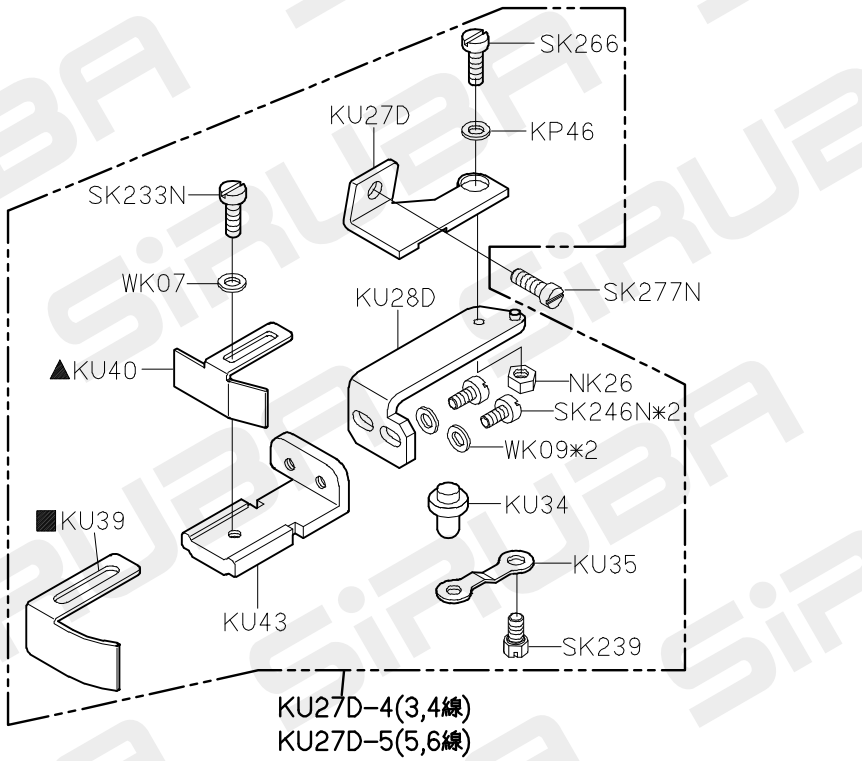
A

B

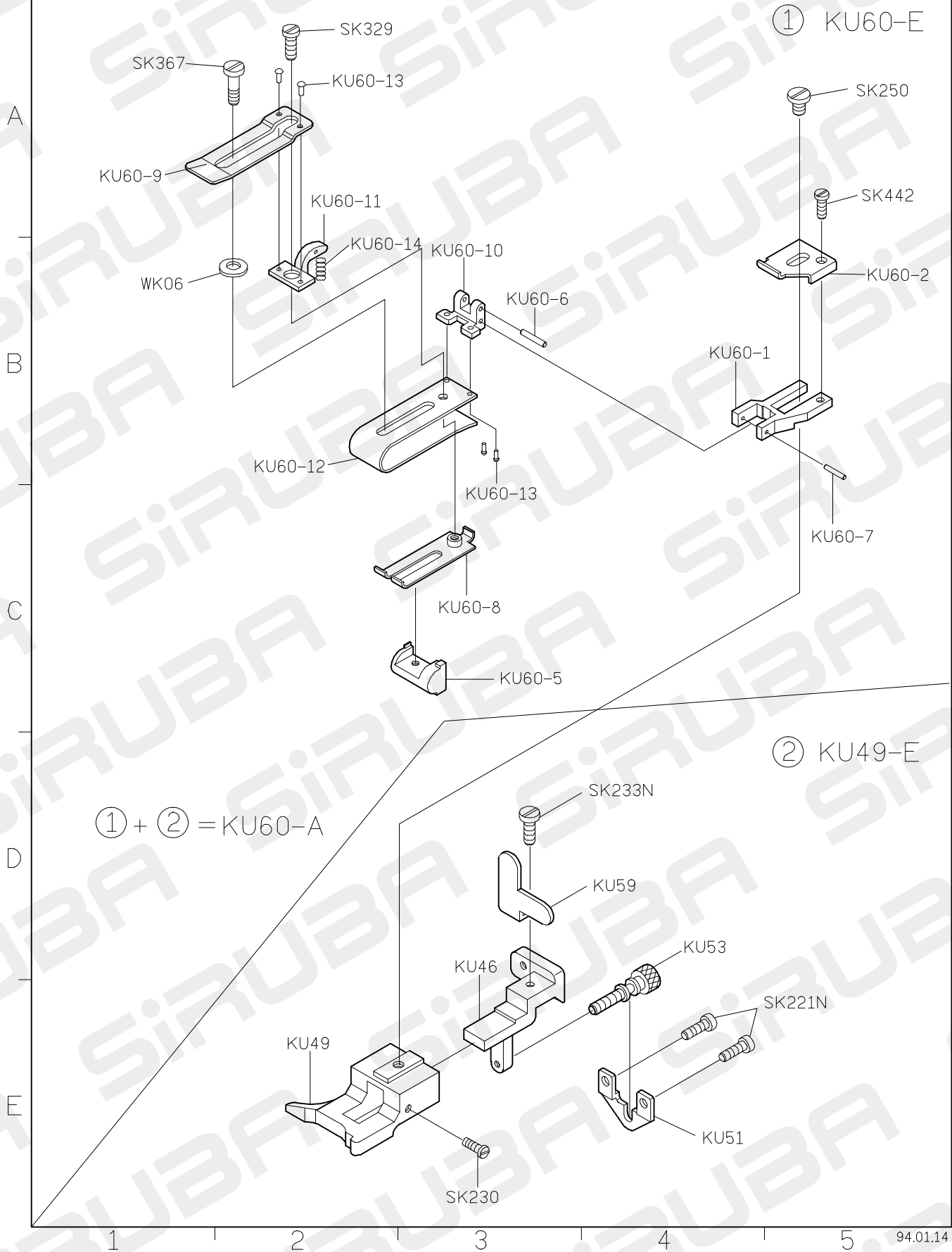
C

D

E



# PARTS LIST FOR KU60-A GROUP 系列圖 1



# 700F PARTS LIST FOR KW GROUP P.1

KW40E-3

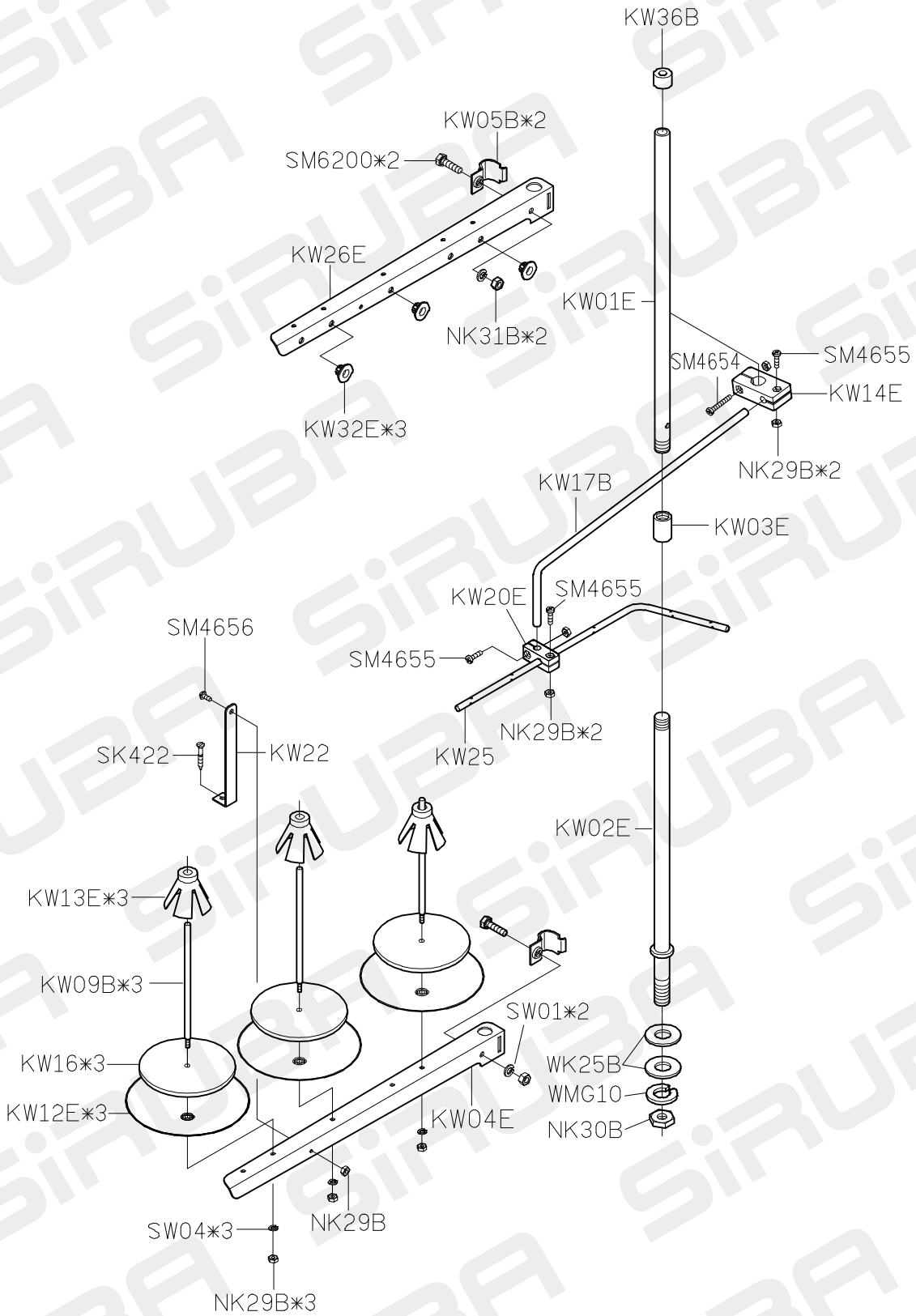
A

B

C

D

E



1

2

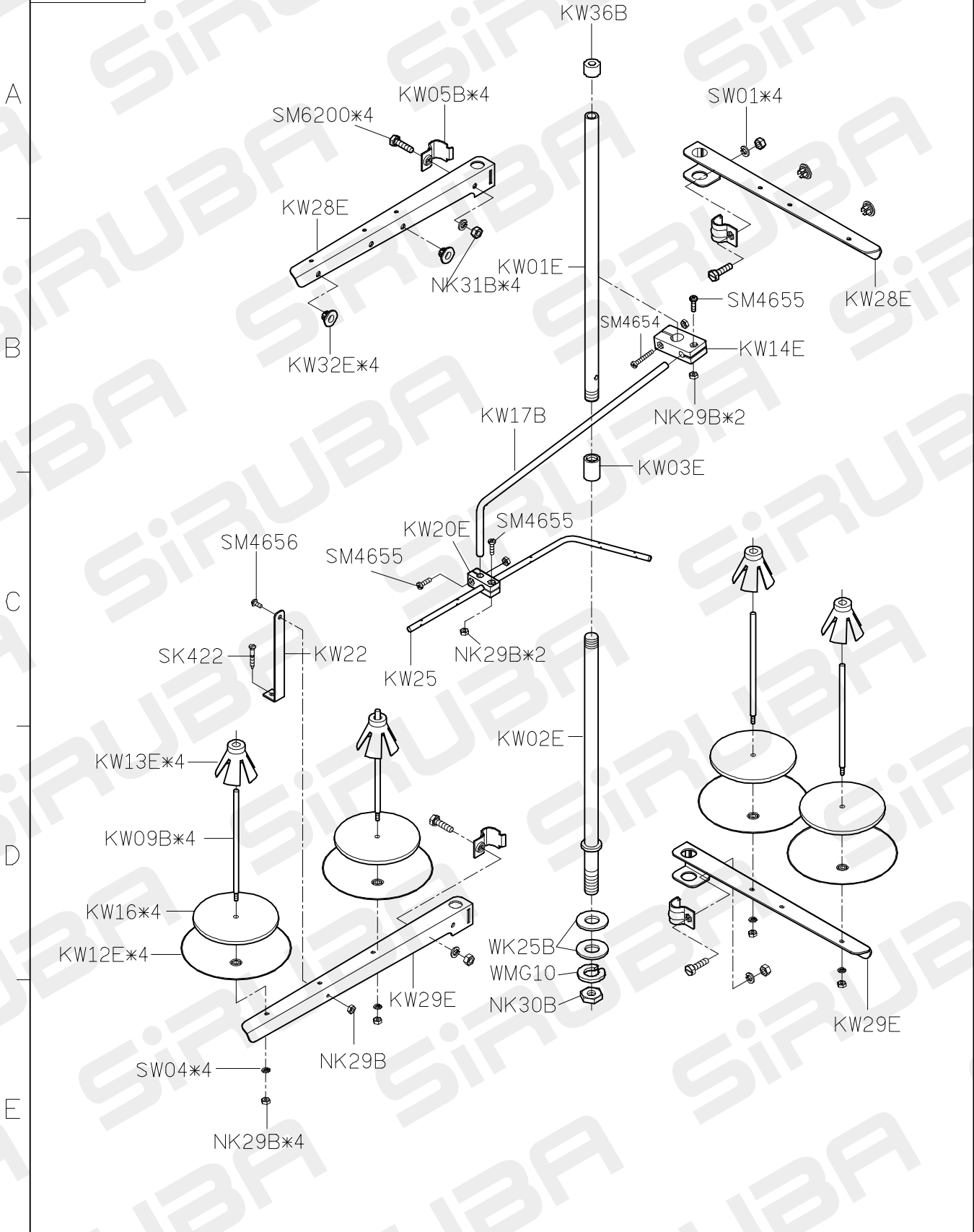
3

4

5

# 700F PARTS LIST FOR KW GROUP P.2

KW40E-4

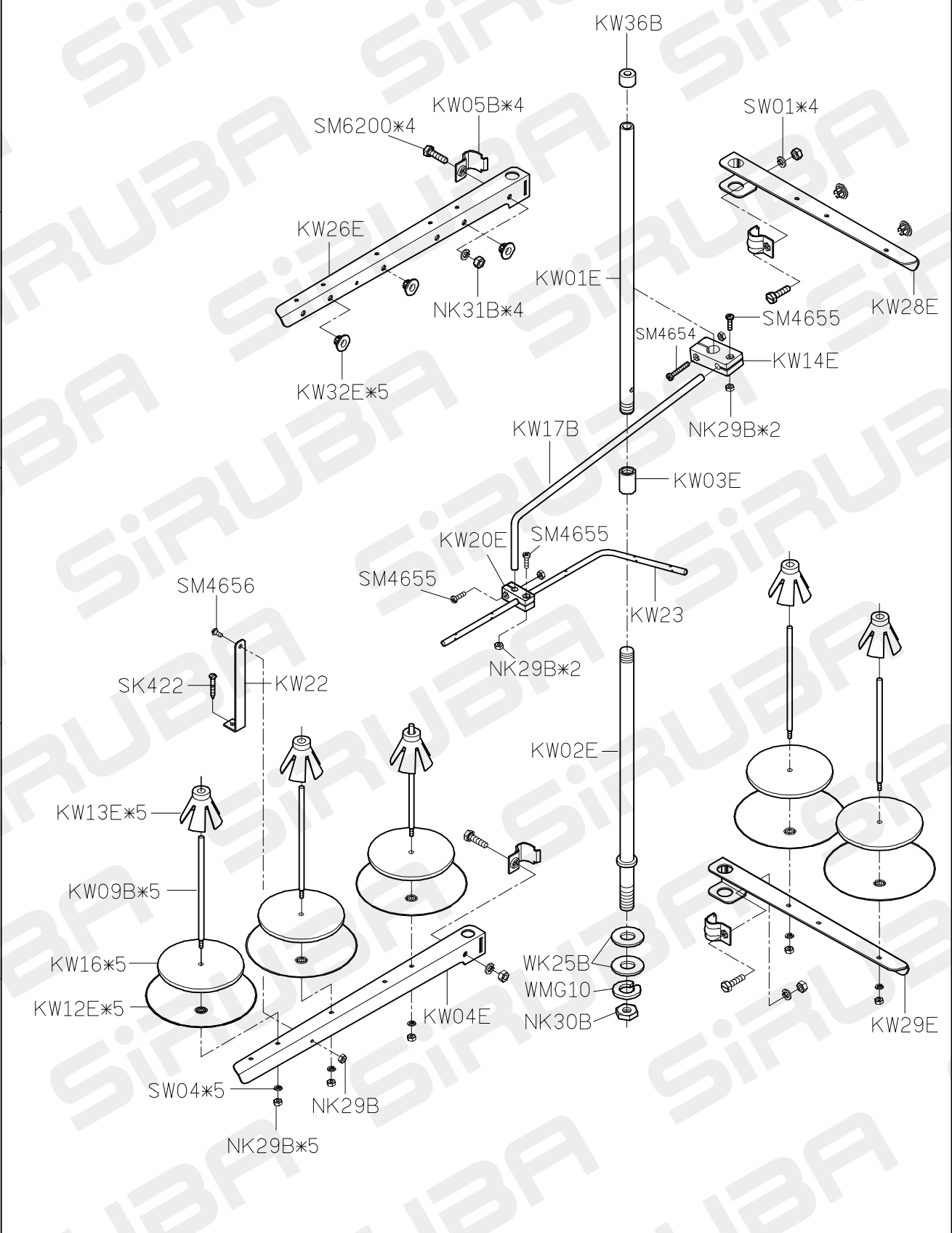




# 700F PARTS LIST FOR KW GROUP P.3

KW40E-5

A  
B  
C  
D  
E



1 2 3 4 5

# 700F PARTS LIST FOR KW GROUP P.4

KW40E-6

A

B

C

D

E

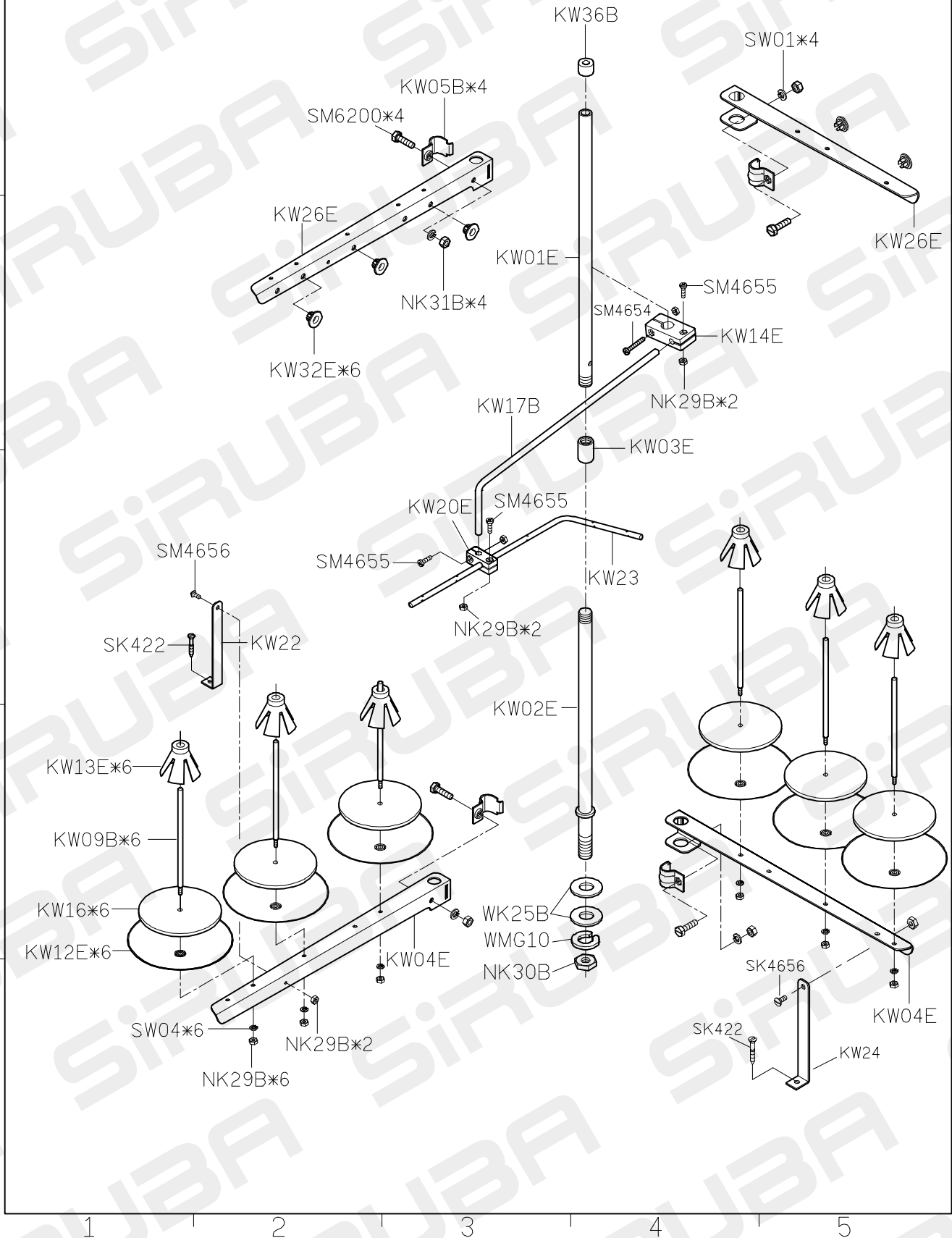
1

2

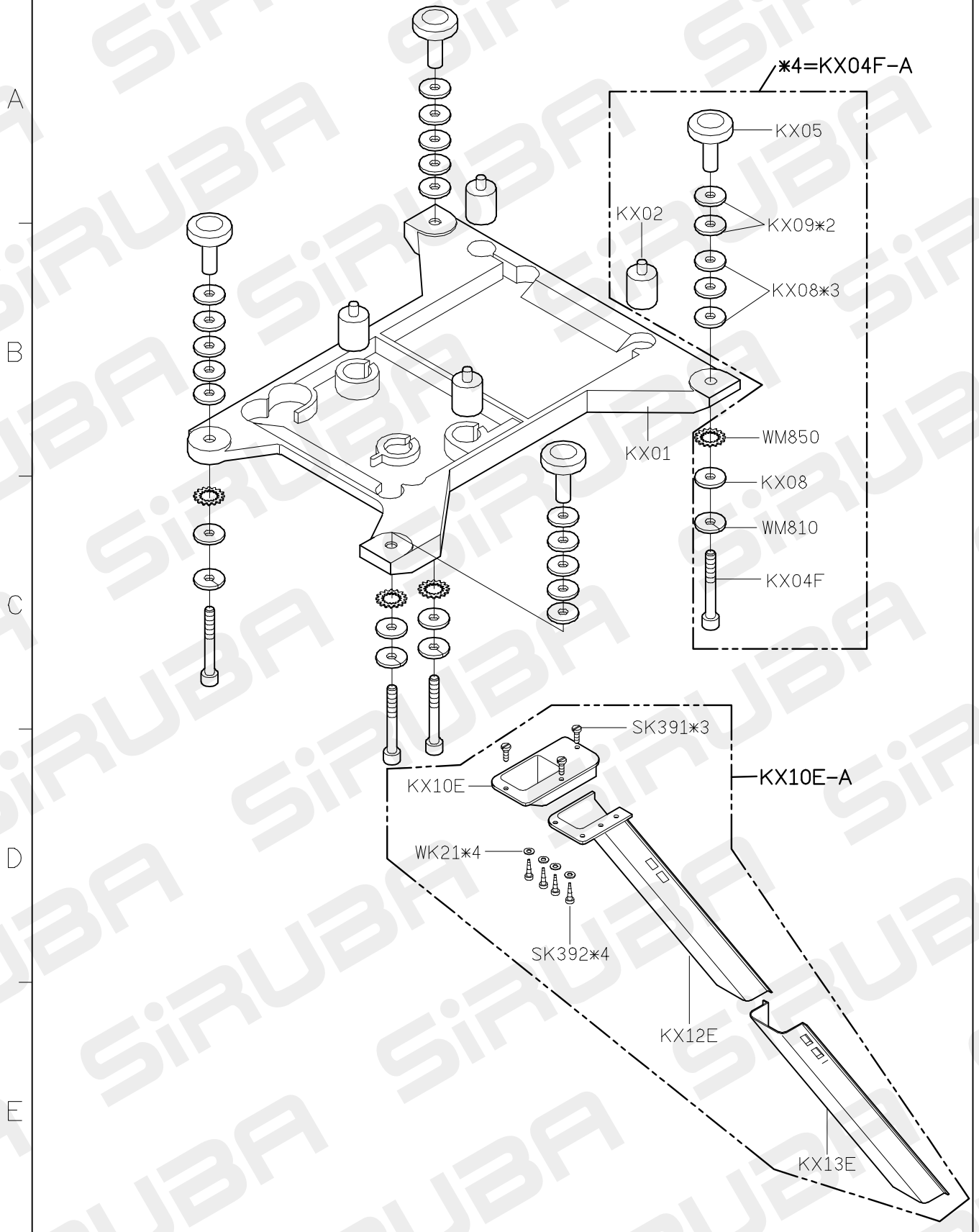
3

4

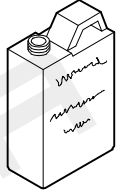


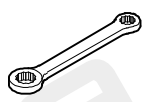
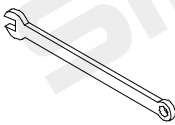


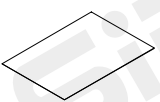
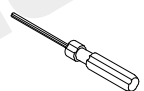
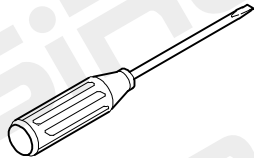

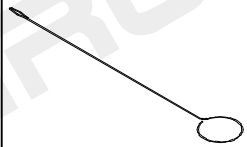
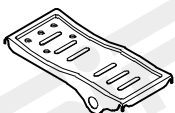






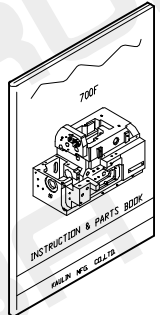


5



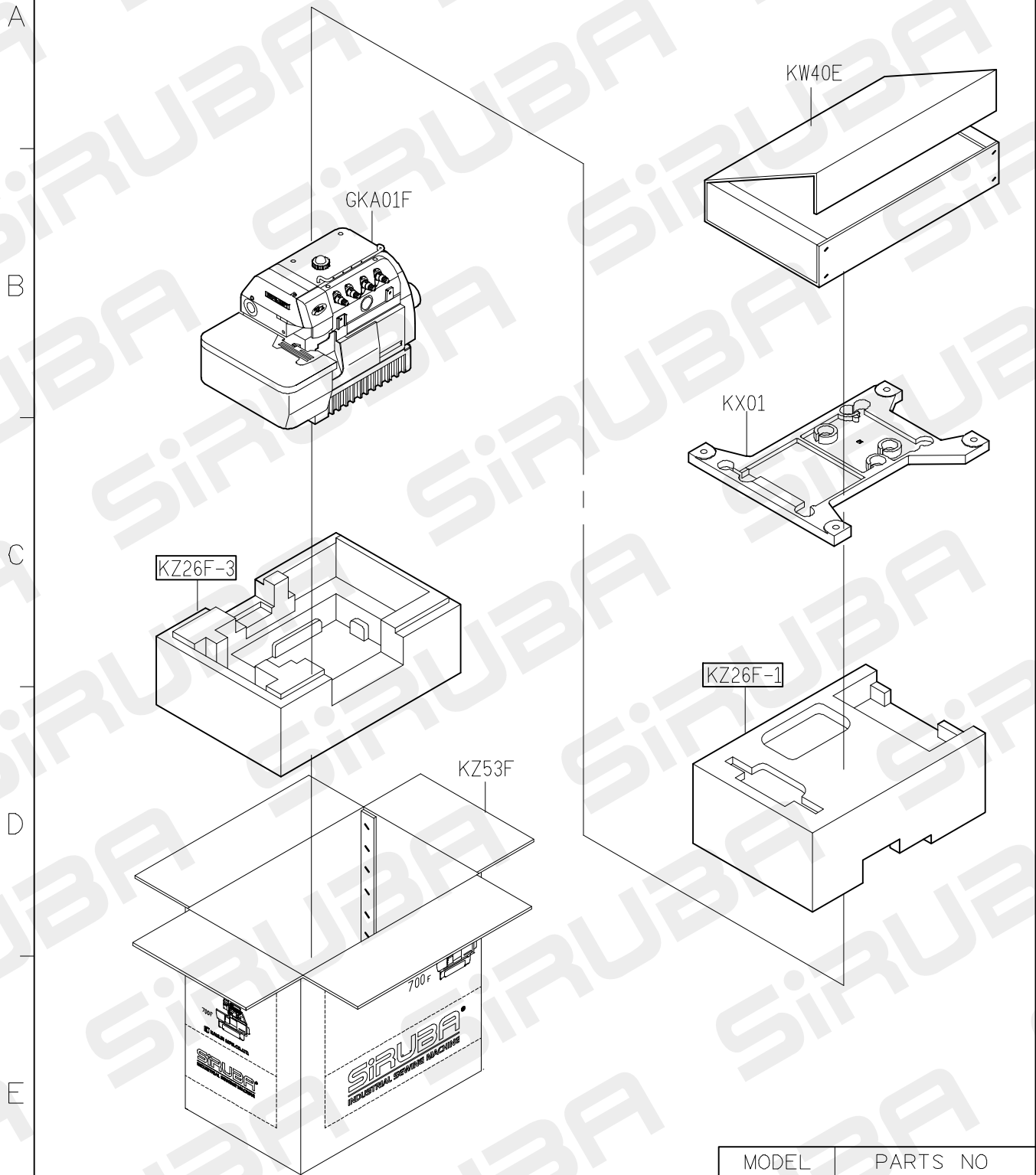
700F PARTS LIST FOR KX GROUP P.1/1



# 700F PARTS LIST FOR KY GROUP P.1/1

A	<p>KY01 防塵罩</p> 	<p>KY02-A 油罐</p> 	<p>KY03 油壺</p> 	<p>KY04 漏斗</p> 	<p>KY05 油壺</p> 
B	<p>KY23-A KY23 內六角扳手</p> 	<p>KY09 開口扳手</p> 	<p>KY10 六角扳手</p> 	<p>KY10-A KY11 六角扳手</p> 	<p>KY12 六角扳手</p> 
C	<p>KY30 針板紙</p> 	<p>KY14 內六角螺絲起子</p> 	<p>KY16-A KY16 一字起子</p> 	<p>KY17 一字起子</p> 	<p>KY18 鑷子</p> 
D	<p>KY19 穿線器</p> 	<p>KY20D 腳踏板</p> 	<p>KY21-A/MY21 鉤子/鍊條</p> 	<p>KY201 工具袋</p> 	<p>KR35 下刀片</p> 
E	<p>KT14-A 濾油器</p> 	<p>KZ03 乾燥劑</p> 	<p>針*4</p> 	<p>KZ08F 零件圖</p> 	<p>KZ08F-2 使用說明書</p> 
	<p>SK216 螺絲</p> 	<p>MY11 六角扳手</p> 			

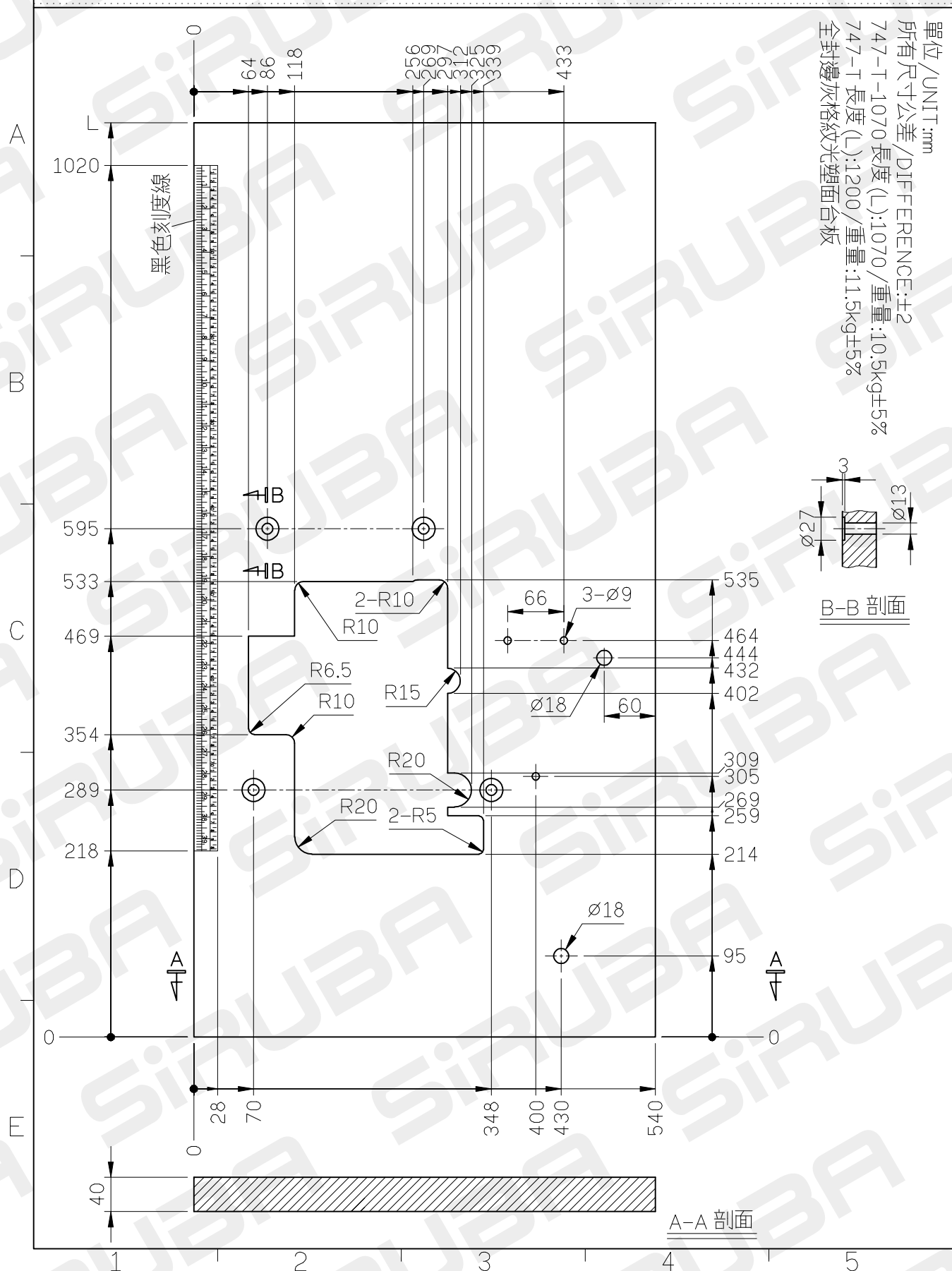
# 700F PARTS LIST FOR KZ GROUP P.1/1



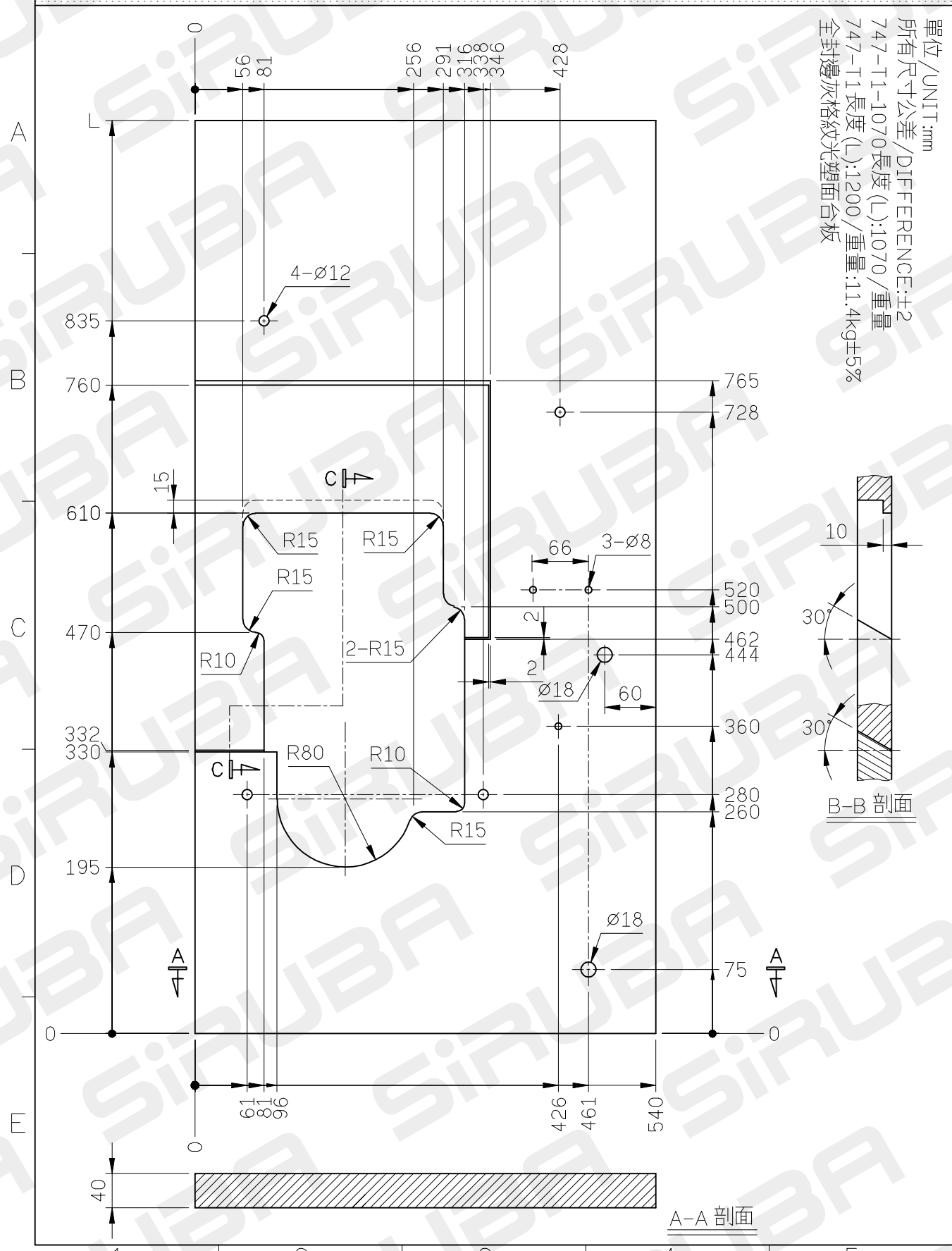
MODEL	PARTS NO	
700F	KZ26F-1	KZ26F-3
700F-LFC	KZ51F	KZ36E

# TABLE CUT-OUT OF 747-T

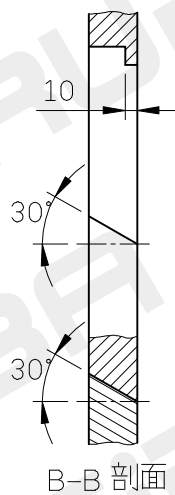
單位/UNIT:mm  
 所有尺寸公差/DIFFERENCE:±2  
 747-T-1070 長度(L):1070/重量:10.5kg±5%  
 747-T 長度(L):1200/重量:11.5kg±5%  
 全封邊 灰格紋光塑面台板



# TABLE CUT-OUT OF 747-T1



單位/UNIT:mm  
 所有尺寸公差/DIFFERENCE:±2  
 747-T1-1070長度(L):1070/重量  
 747-T1長度(L):1200/重量:11.4kg±5%  
 全封邊灰格紋光塑面台板



\*全沉式桌板