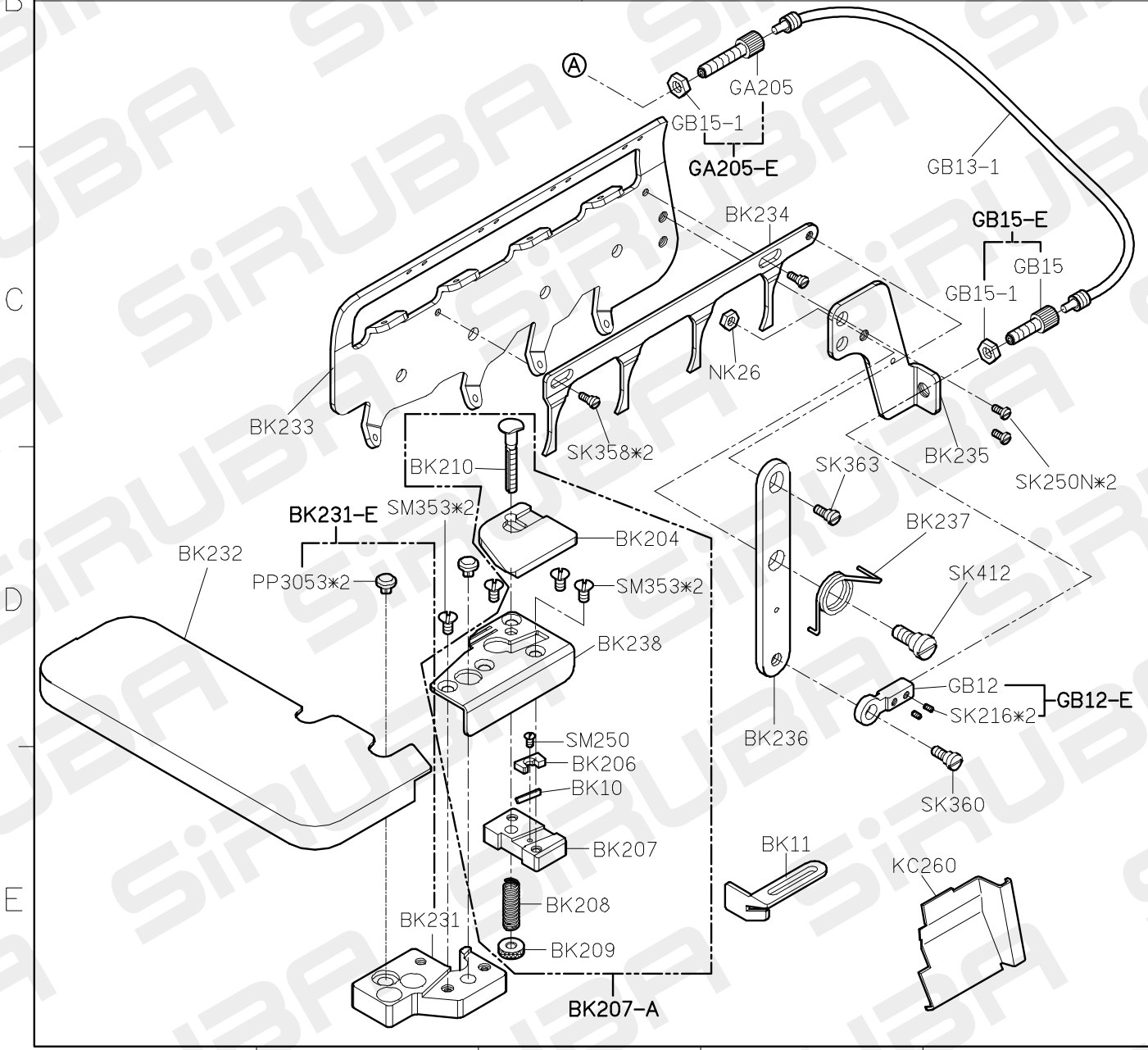
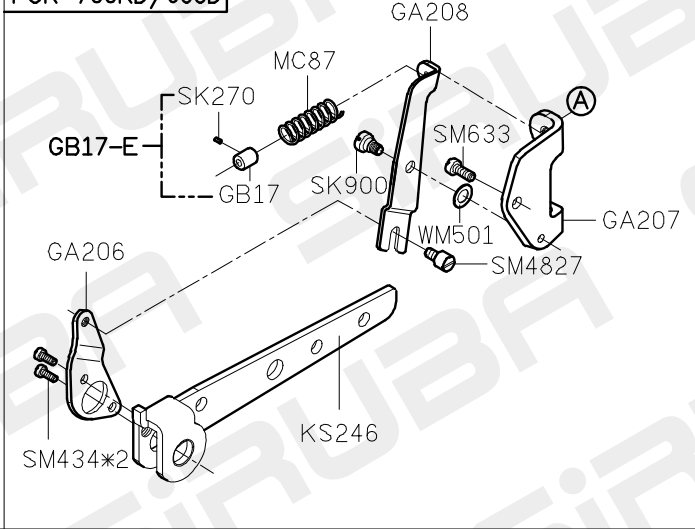
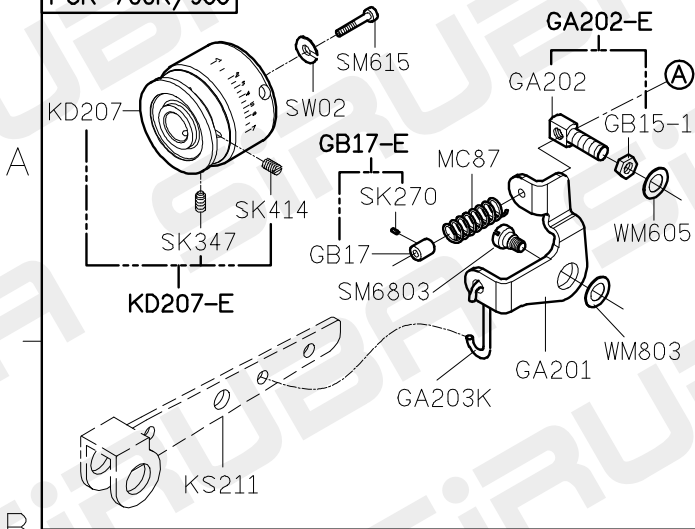


# 700K PARTS LIST FOR BK GROUP P.1/1

FOR 700K/988

FOR 700KD/988D



FOR 700K/700KD/988/988D

# 700K PARTS LIST

FOR

# CT

GROUP

P.1/1

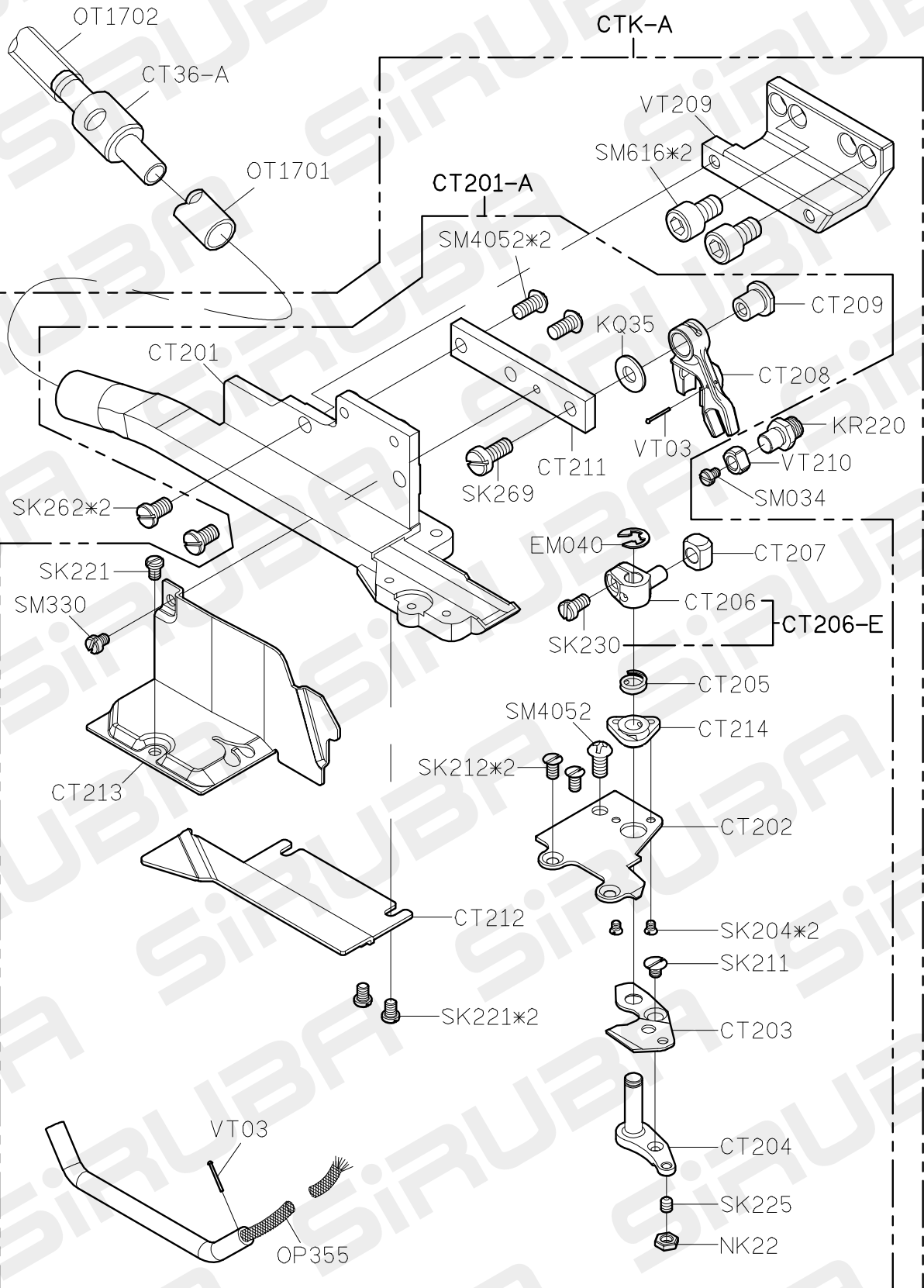
A

B

C

D

E



# 700K PARTS LIST FOR EC-K GROUP P.1/4

選配件：●長切刀用

A

●EC208 (長切刀用)

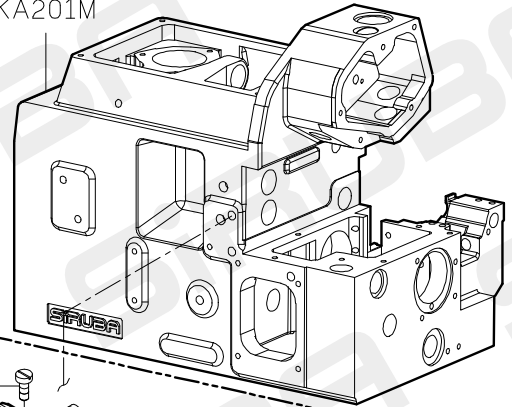


長刀適用範圍	1 1/4 吋
短刀適用範圍	1 吋

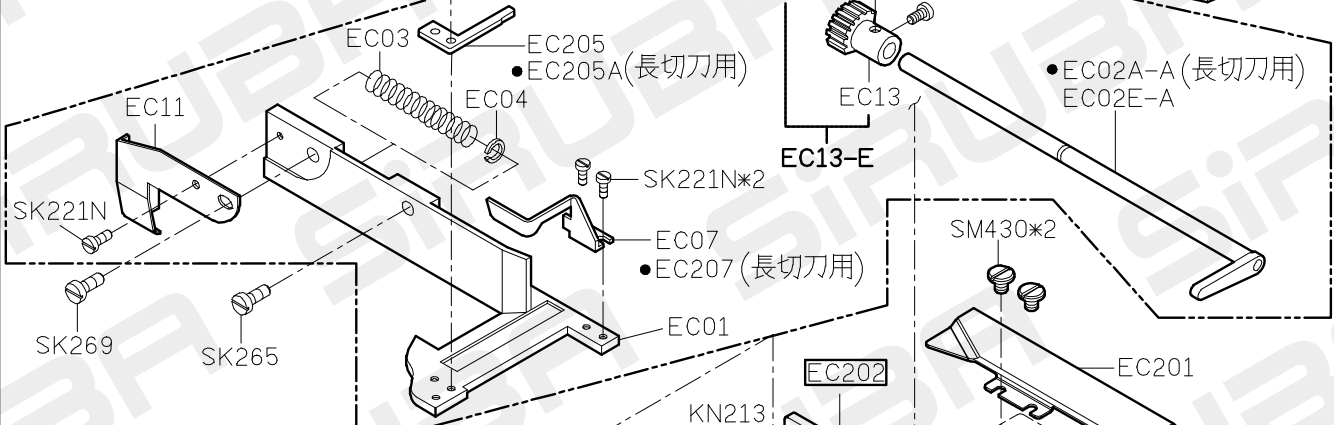
MODEL	EC	EC+BK	EC+GA
PARTS NO	EC202	EC215	EC215
	SK290	SK612	SK612

EC205-A

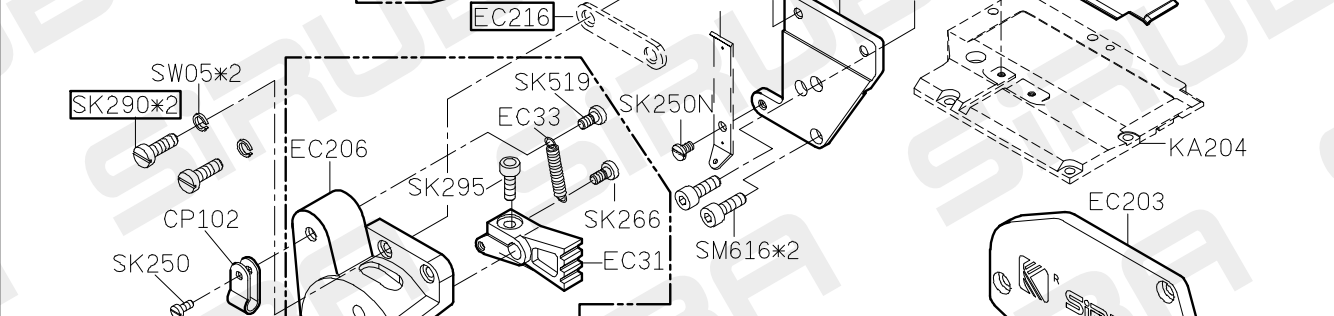
KA201E  
\*KA201M



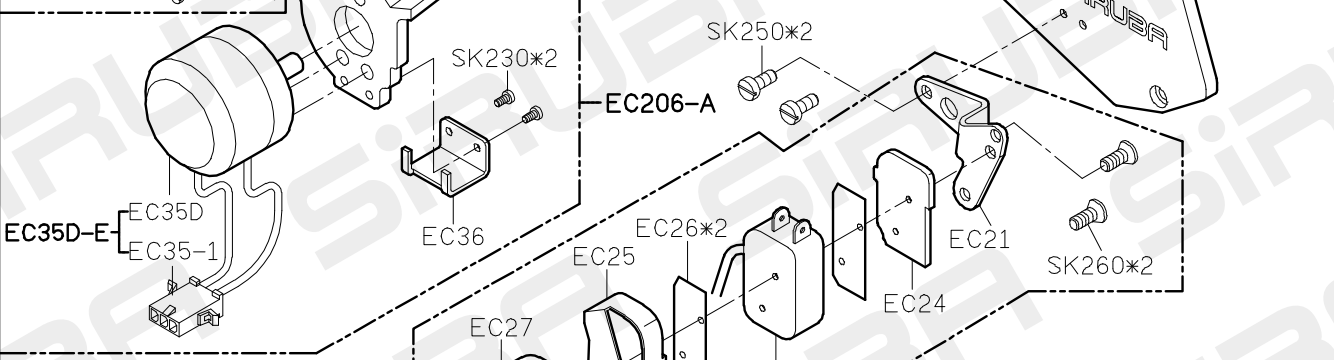
B



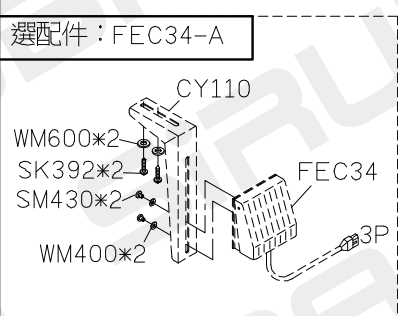
C



D

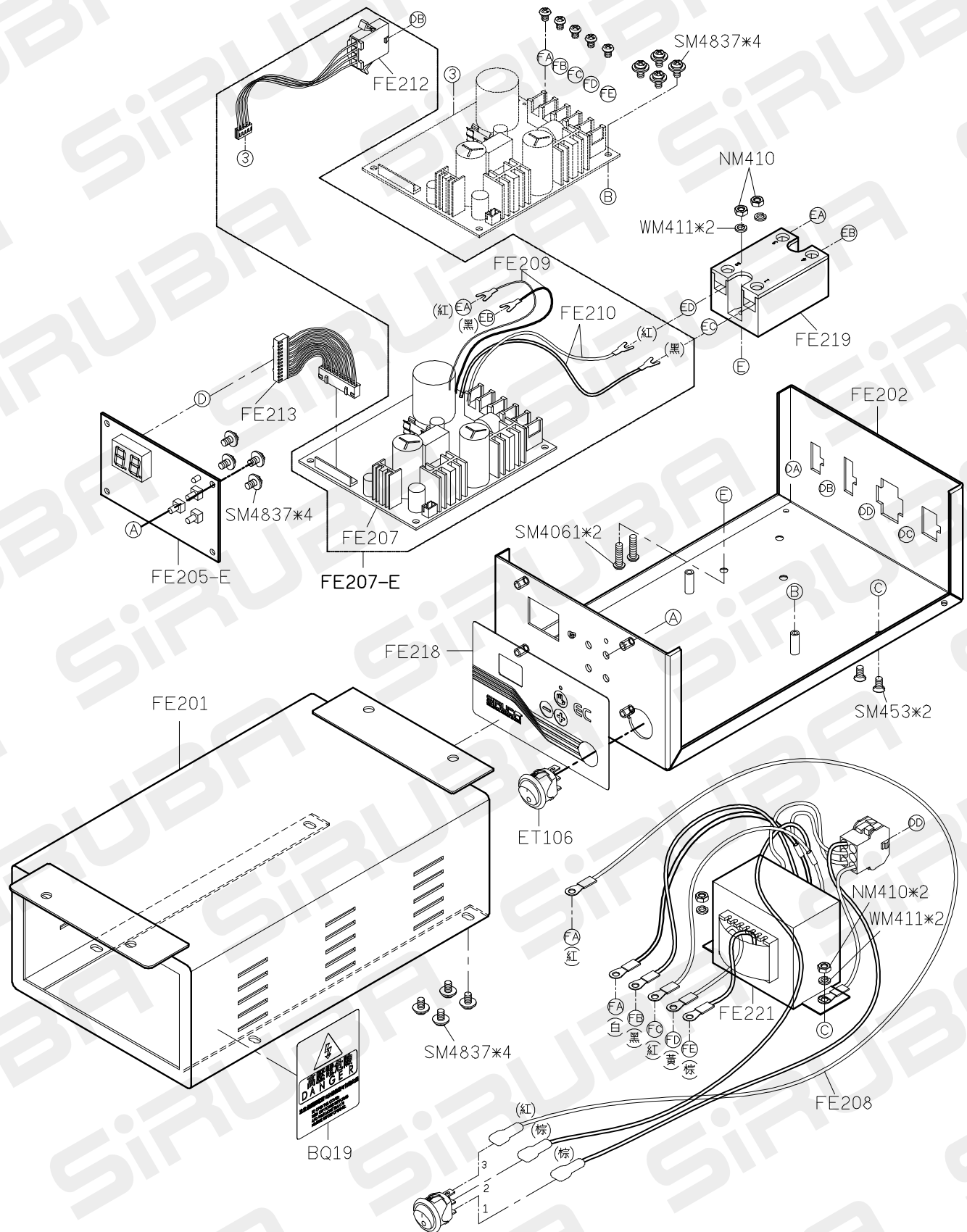


E

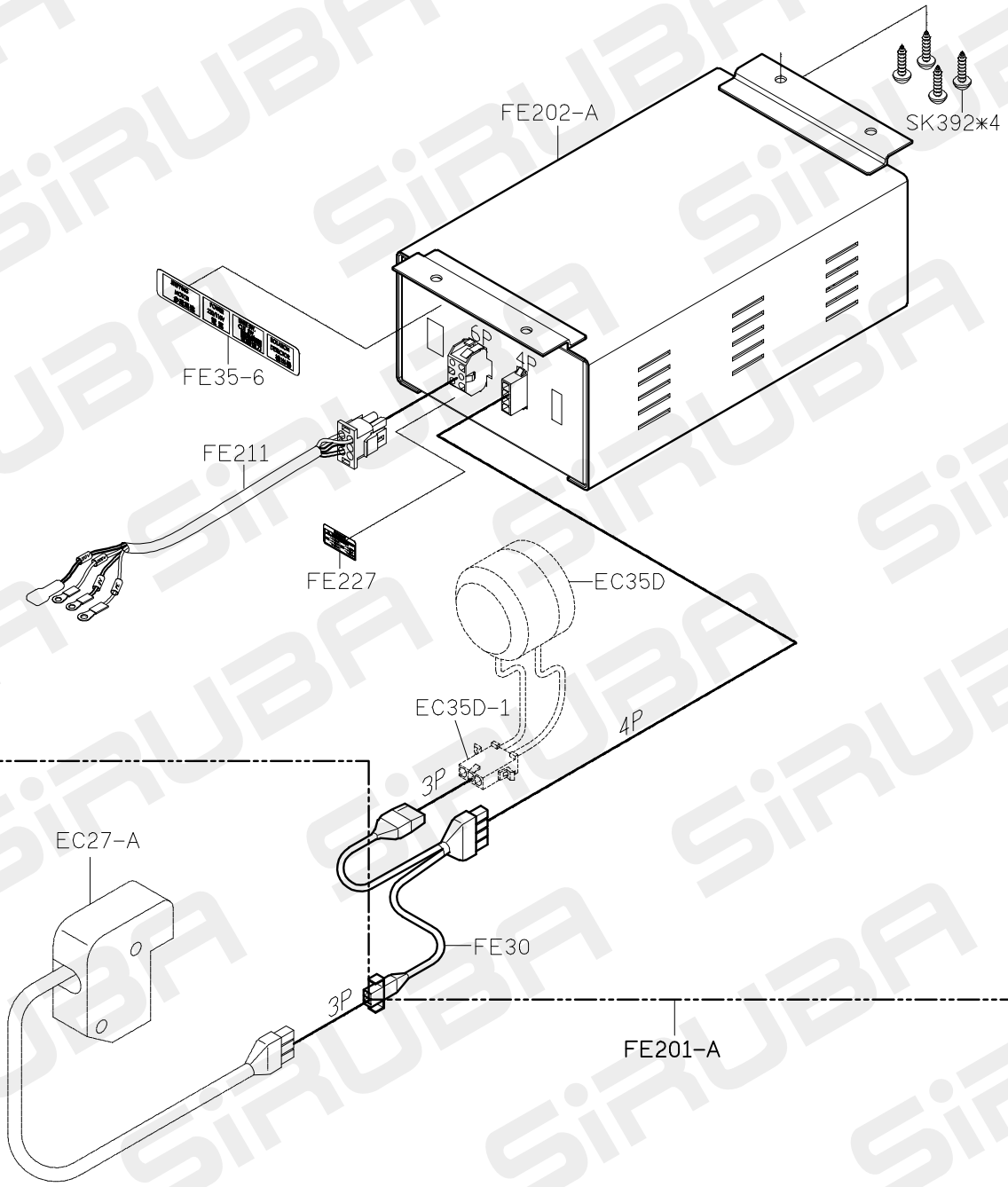


FE202-A

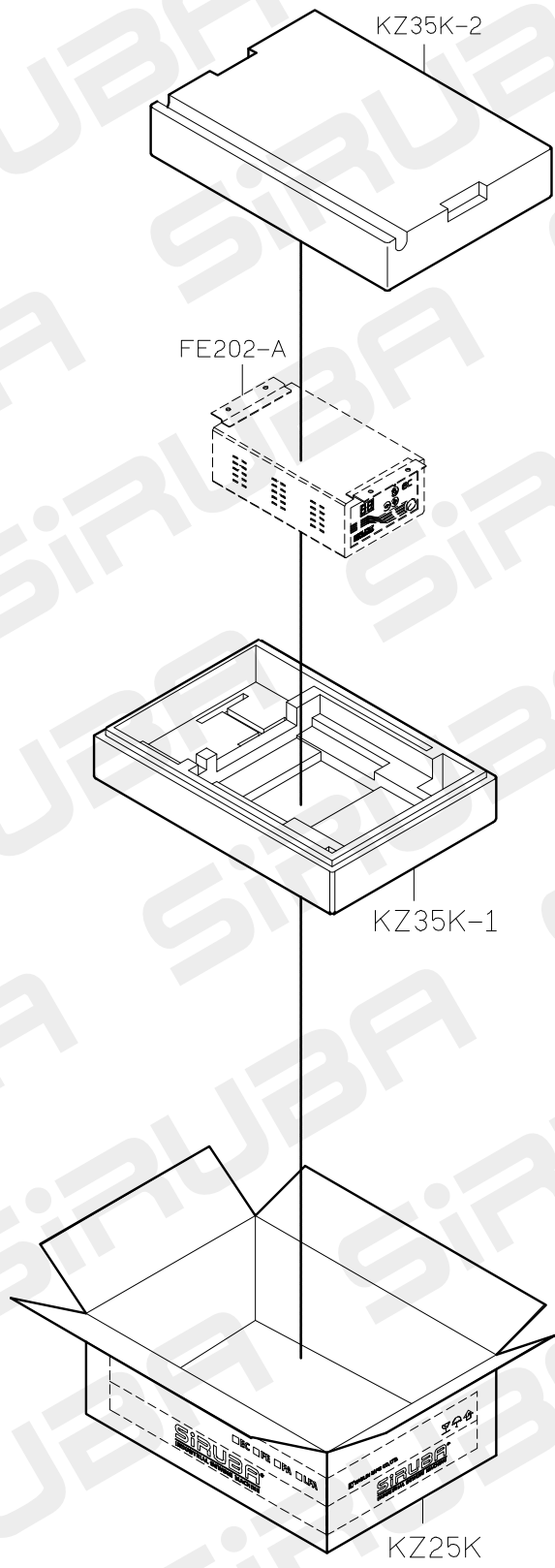
A  
B  
C  
D  
E



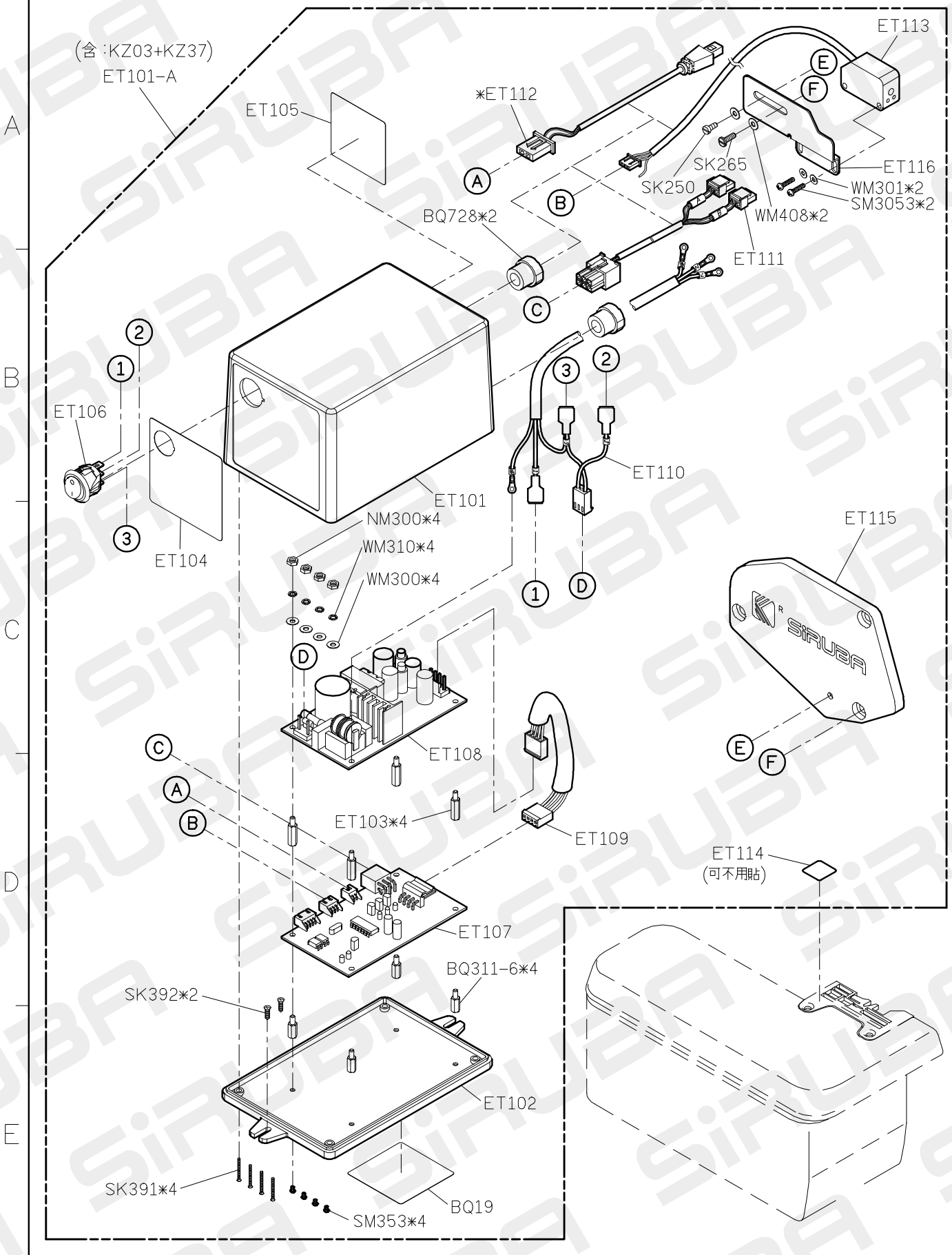
A  
B  
C  
D  
E



A  
B  
C  
D  
E



# 700K PARTS LIST FOR ET-K GROUP 1/3



FOR 700K/700KD/988/988D  
 \*USE FOR 700K/988

2010/07/12

# 700K PARTS LIST FOR ET-K GROUP 2/3

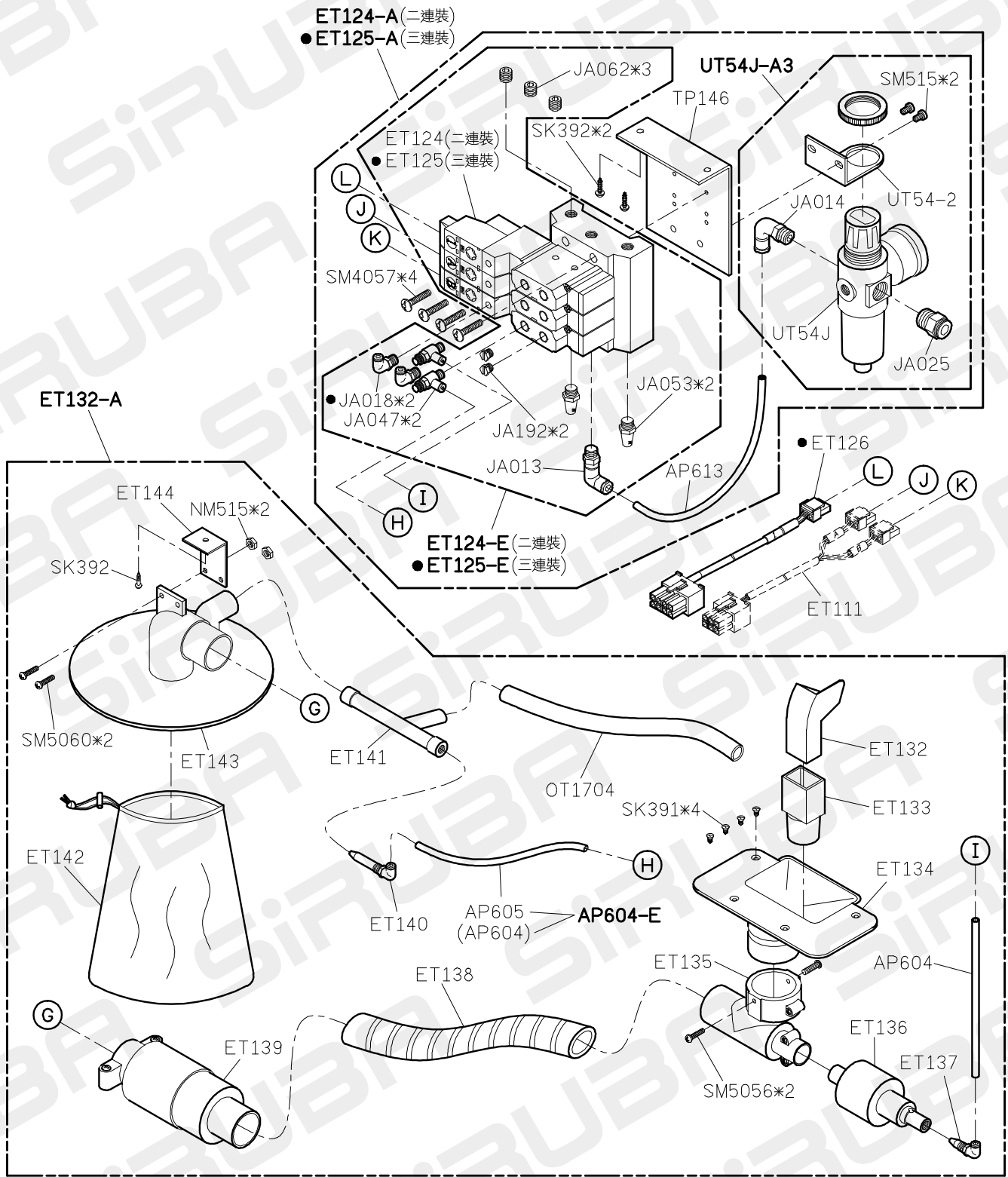
A

B

C

D

E

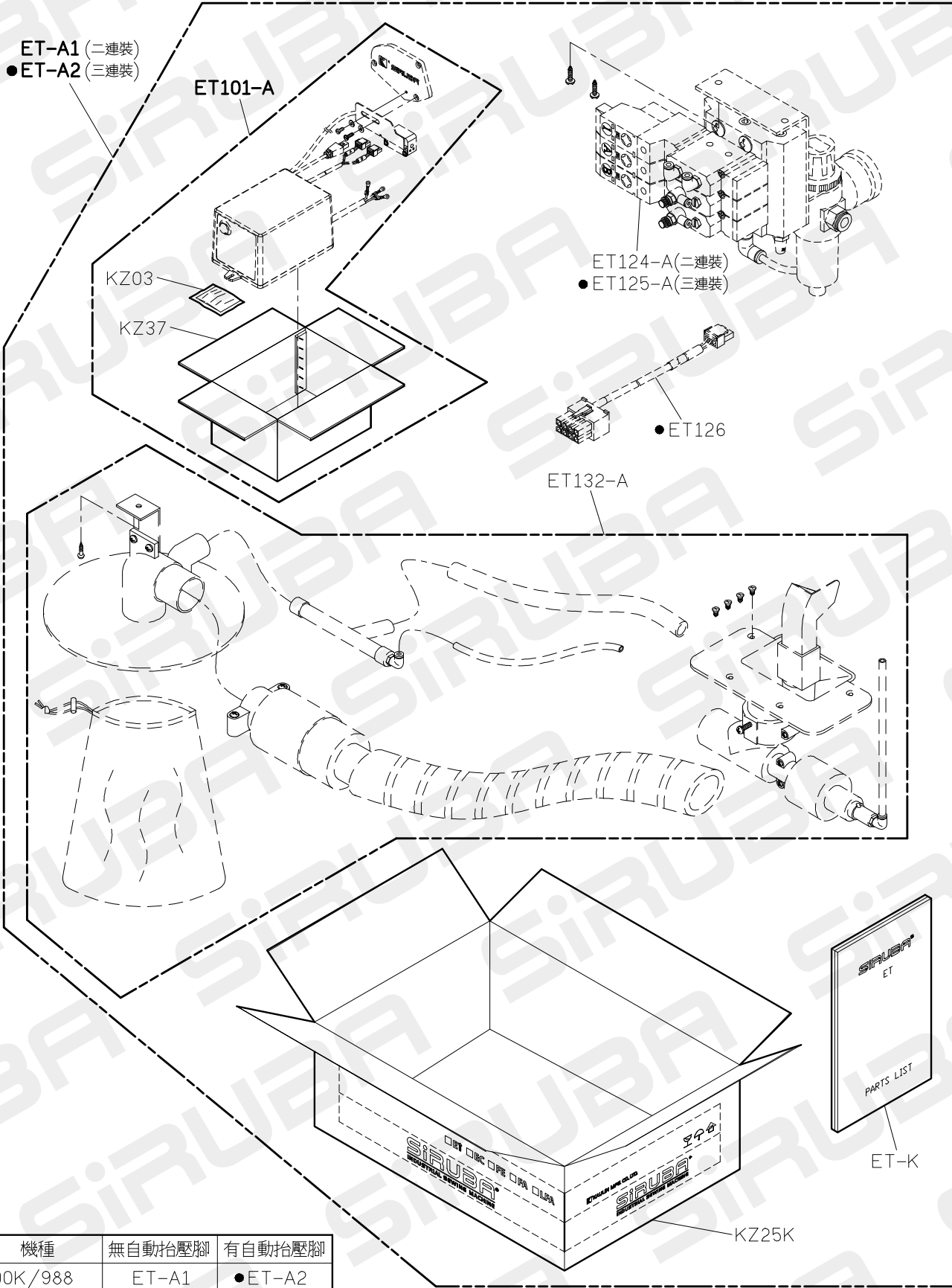


無自動台壓脚	有自動台壓脚
ET124	●ET125
	●ET126
	●JA018*2



# 700K PARTS LIST FOR ET-K GROUP 3/3

A  
B  
C  
D  
E



機種	無自動抬壓腳	有自動抬壓腳
700K/988	ET-A1	●ET-A2
700KD/988D	ET-A1	●ET-A2

1  
FOR 700K/700KD/988/988D

5  
2010/07/12

# PARTS LIST FOR ET-K1 GROUP 1/2

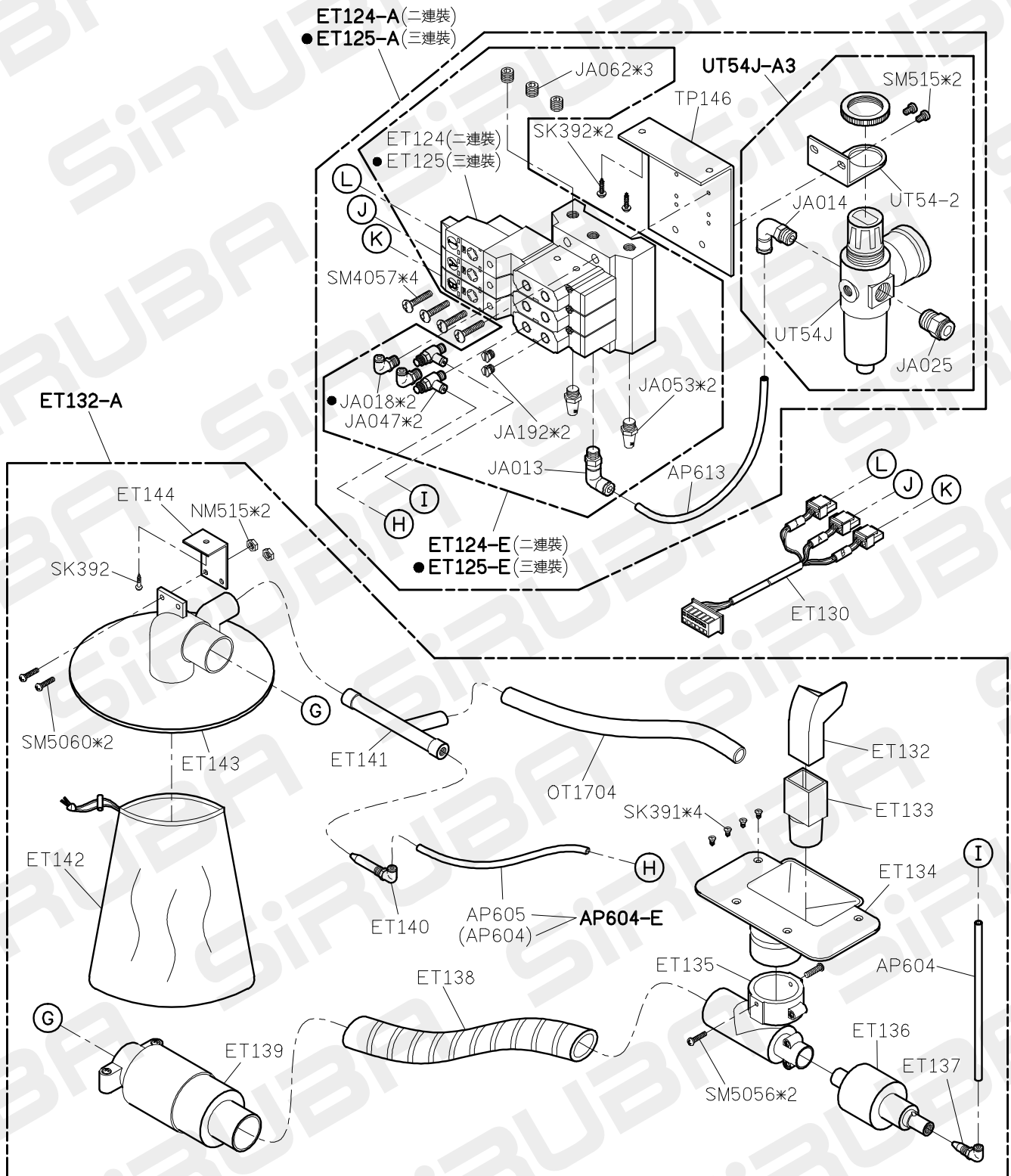
A

B

C

D

E



無自動抬壓腳	有自動抬壓腳
ET124	●ET125
	●JA018*2

1

2

3

4

5

FOR 700KD/988D ISM system

\*二連裝時ET130不需接 (L)

2010/07/12

# PARTS LIST FOR ET-K1 GROUP 2/2

A

ET-A3 (二連裝)  
●ET-A4 (三連裝)

ET115

ET131

ET124-A (二連裝)  
●ET125-A (三連裝)

B

SK250  
SK265

ET114  
(可不用貼)

WM408\*2

ET116  
WM301\*2  
SM3053\*2

ET130

ET132-A

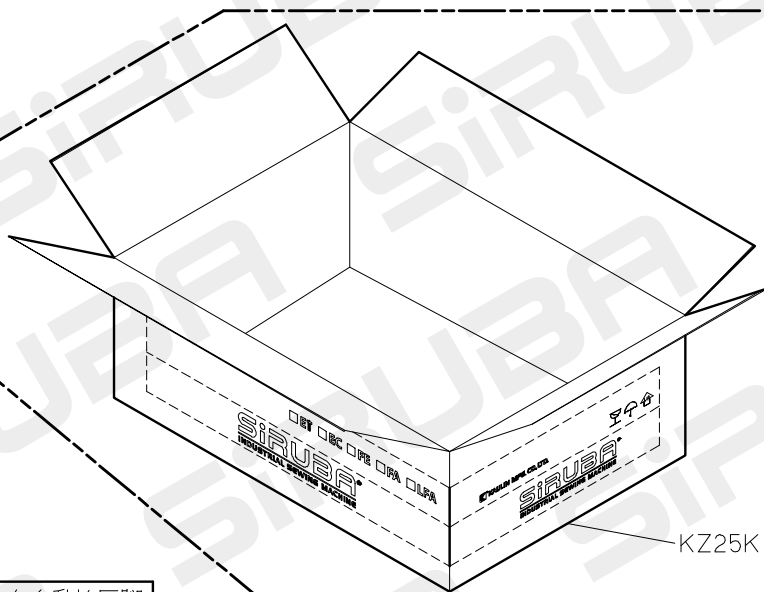
C

D

E



ET-K1



KZ25K

機種	無自動拾壓腳	有自動拾壓腳
700KD/988D	ET-A3	●ET-A4

1  
FOR 700KD/988D ISM system

3

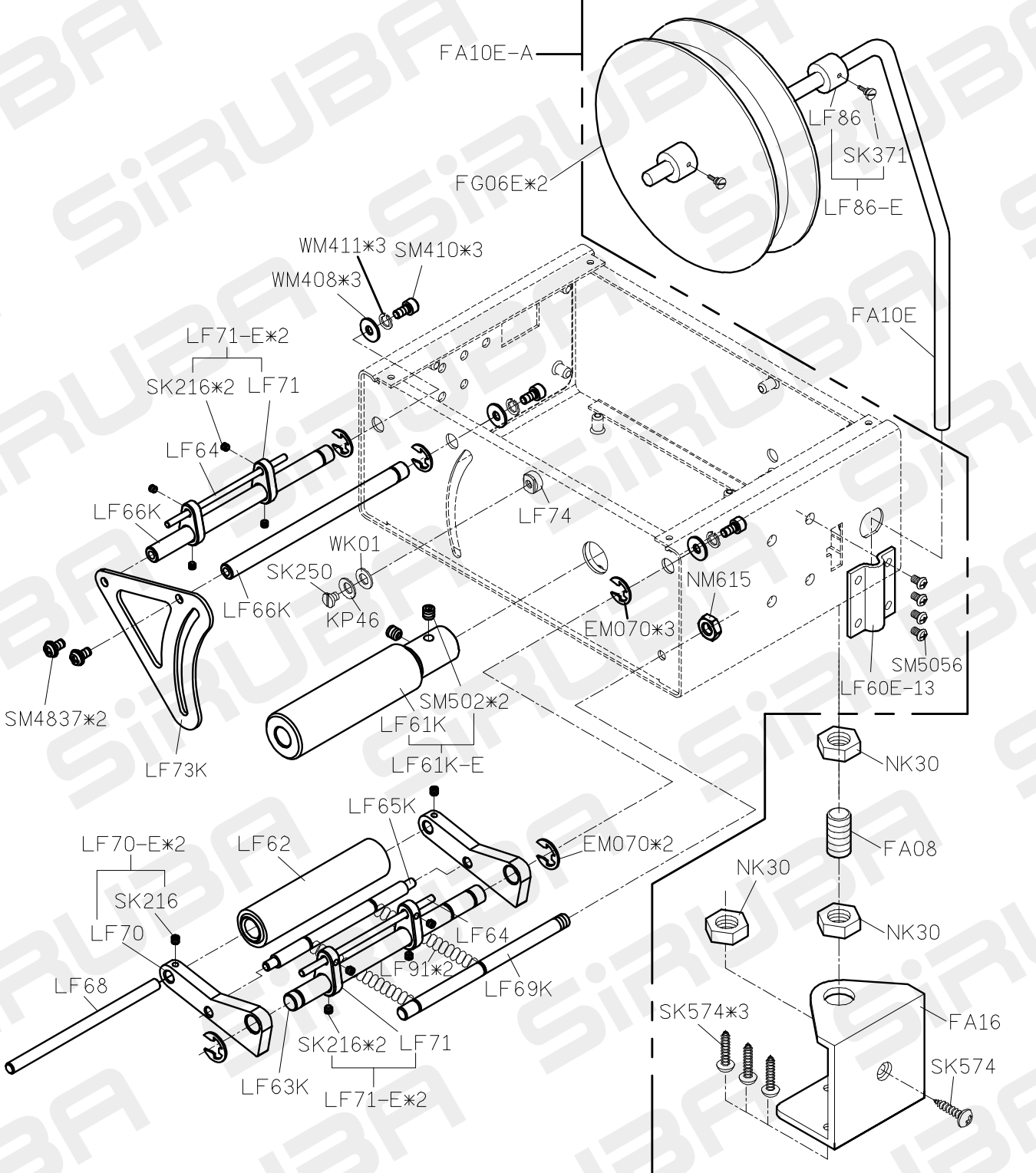
4

5

2010/07/12

# 700K PARTS LIST FOR FAK GROUP P.1/2

A  
B  
C  
D  
E



# 700K PARTS LIST FOR FAK GROUP P.2/2

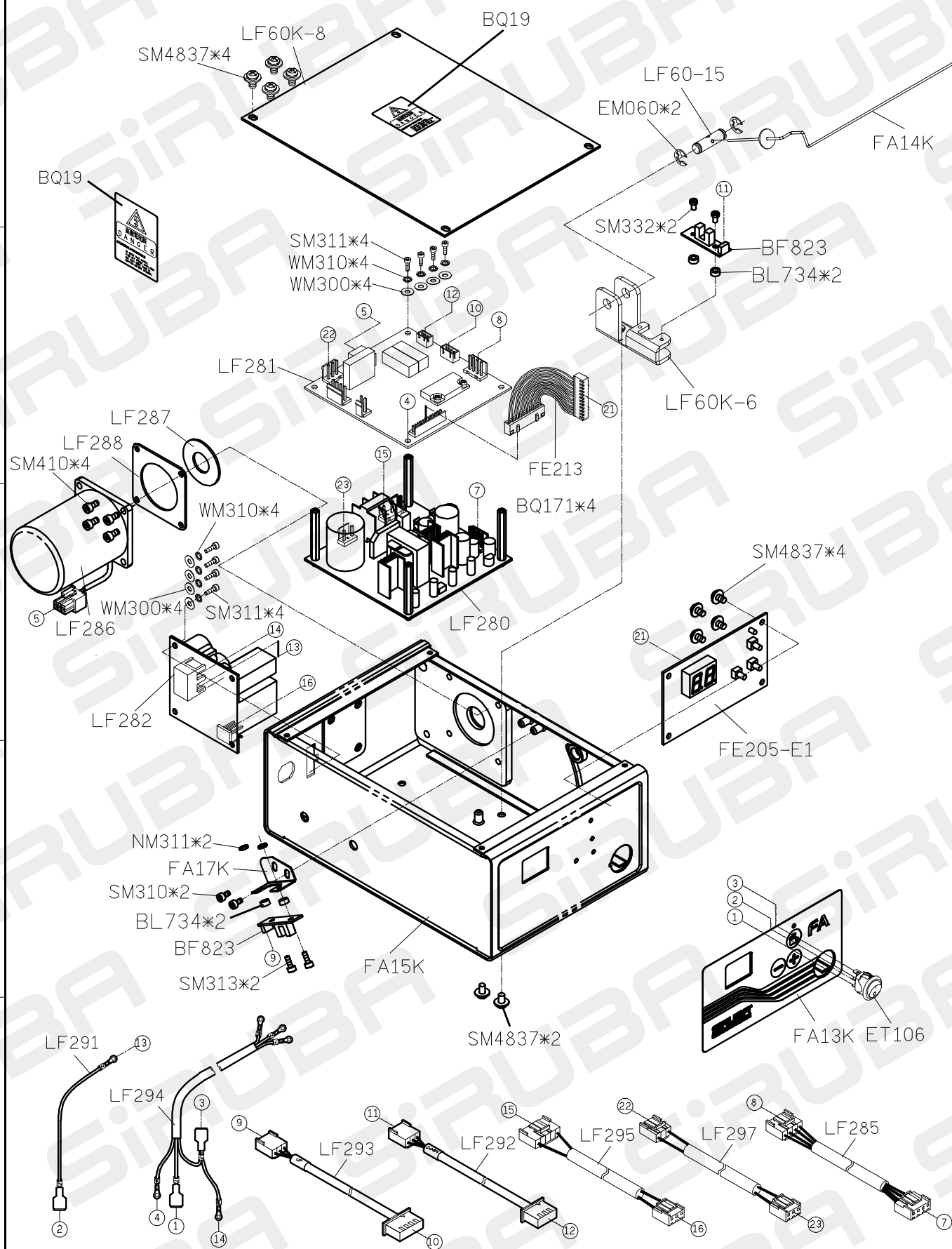
A

B

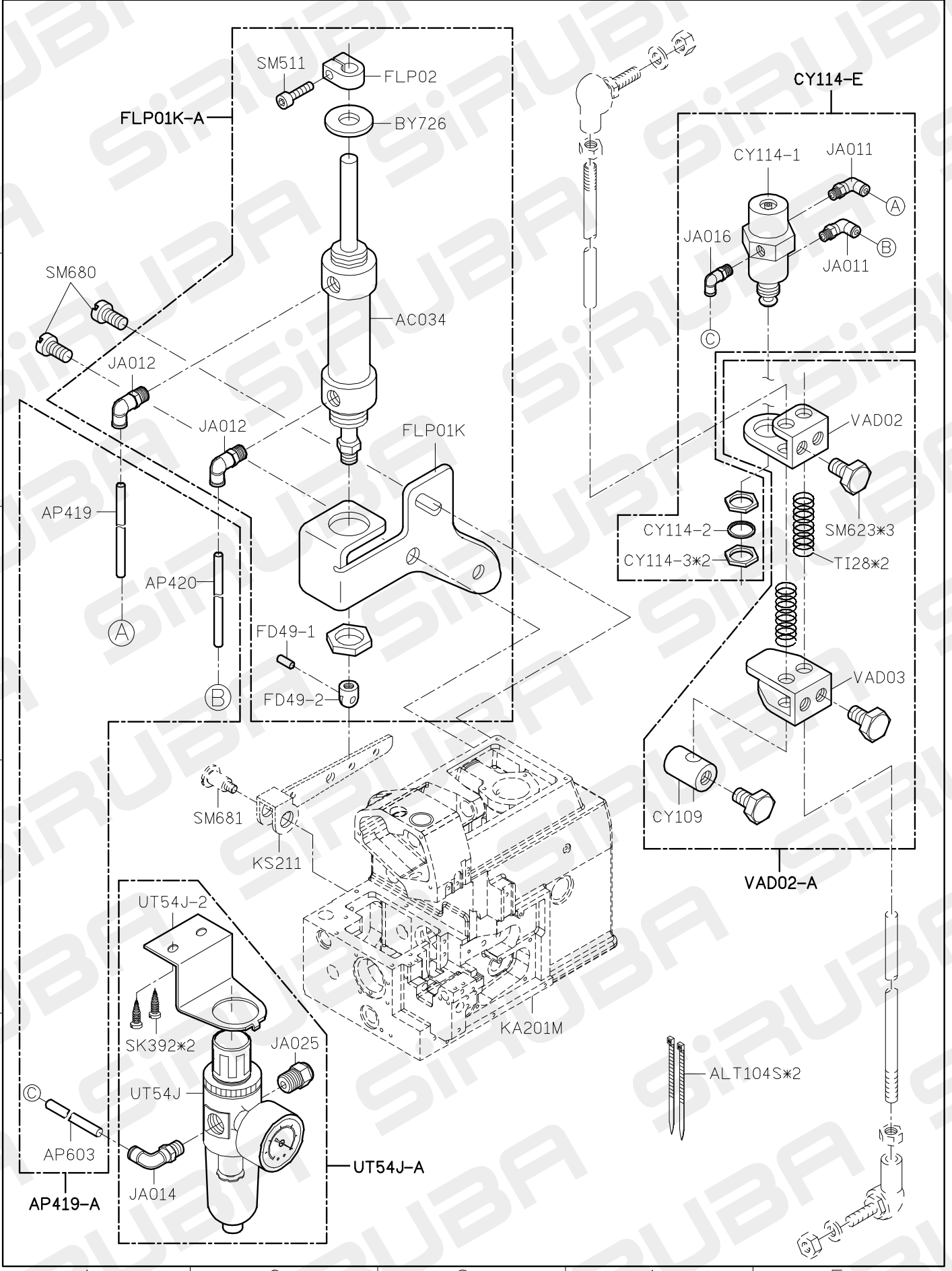
C

D

E



# 700K PARTS LIST FOR FLP GROUP P.1/1

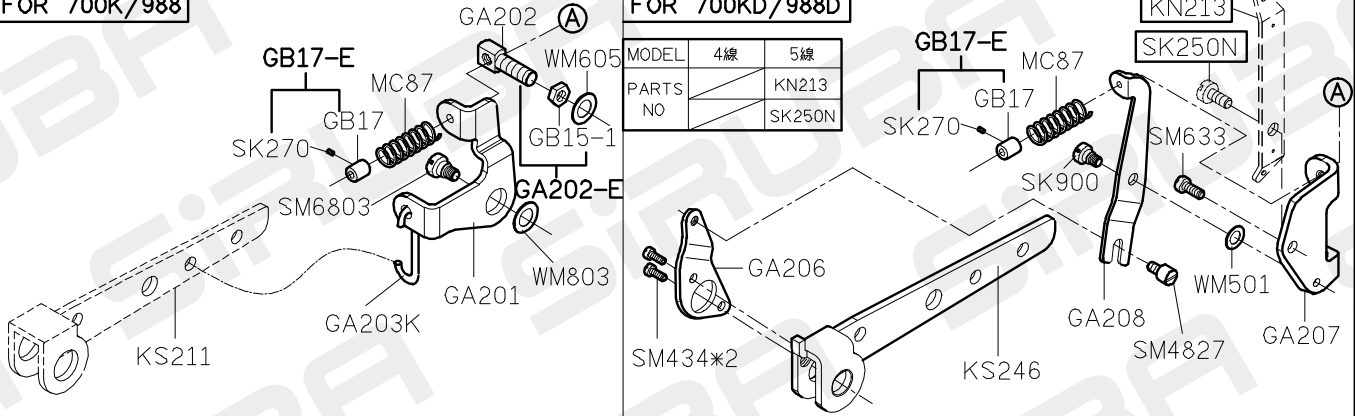


# 700K PARTS LIST FOR GA GROUP P.1/1

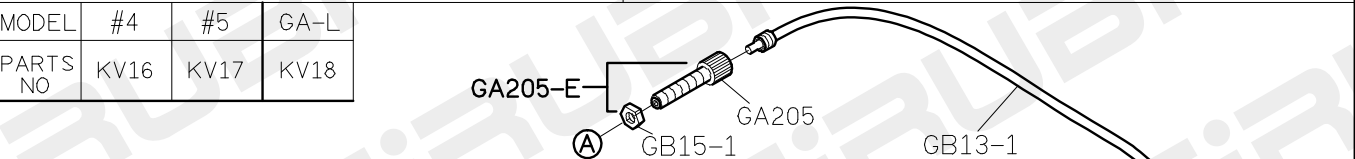
FOR 700K/988

FOR 700KD/988D

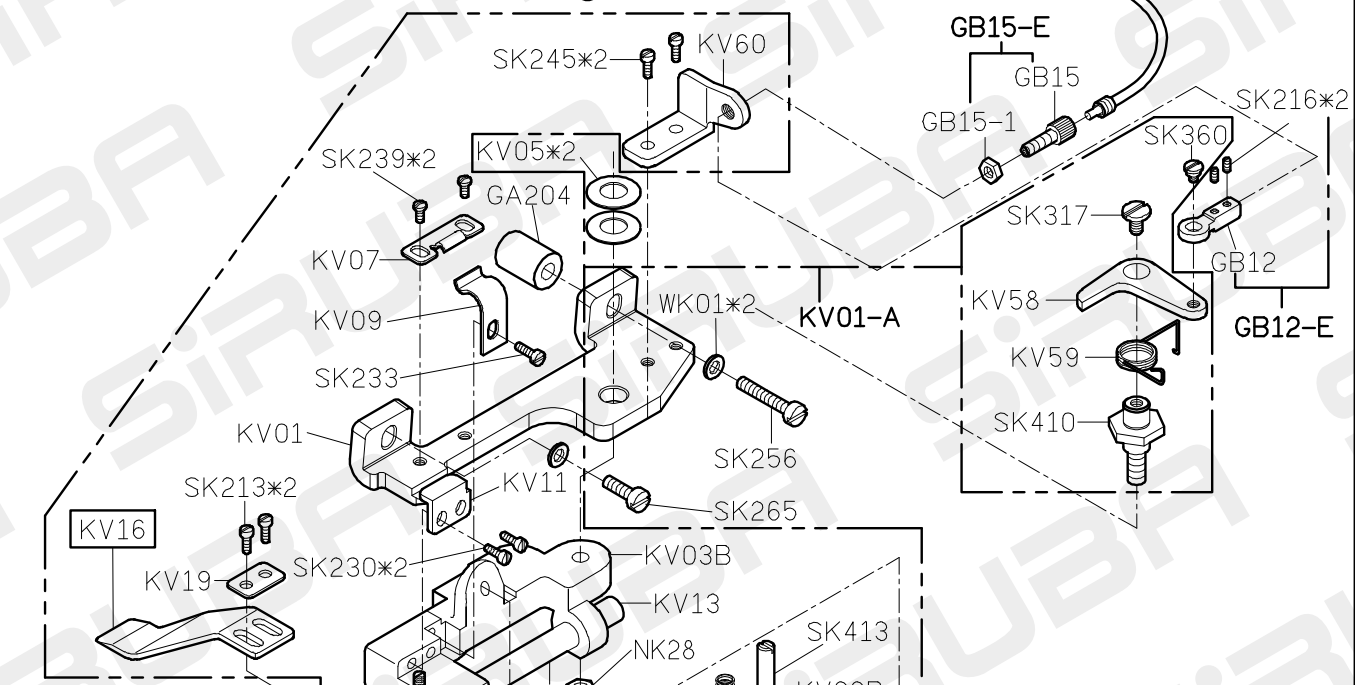
A



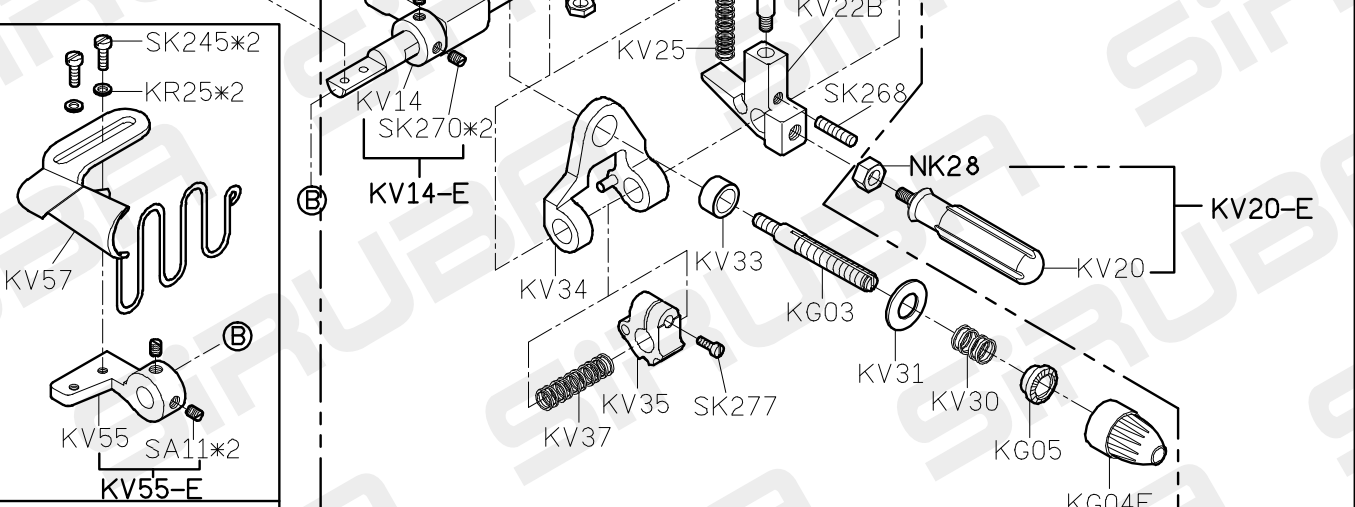
B



C



D

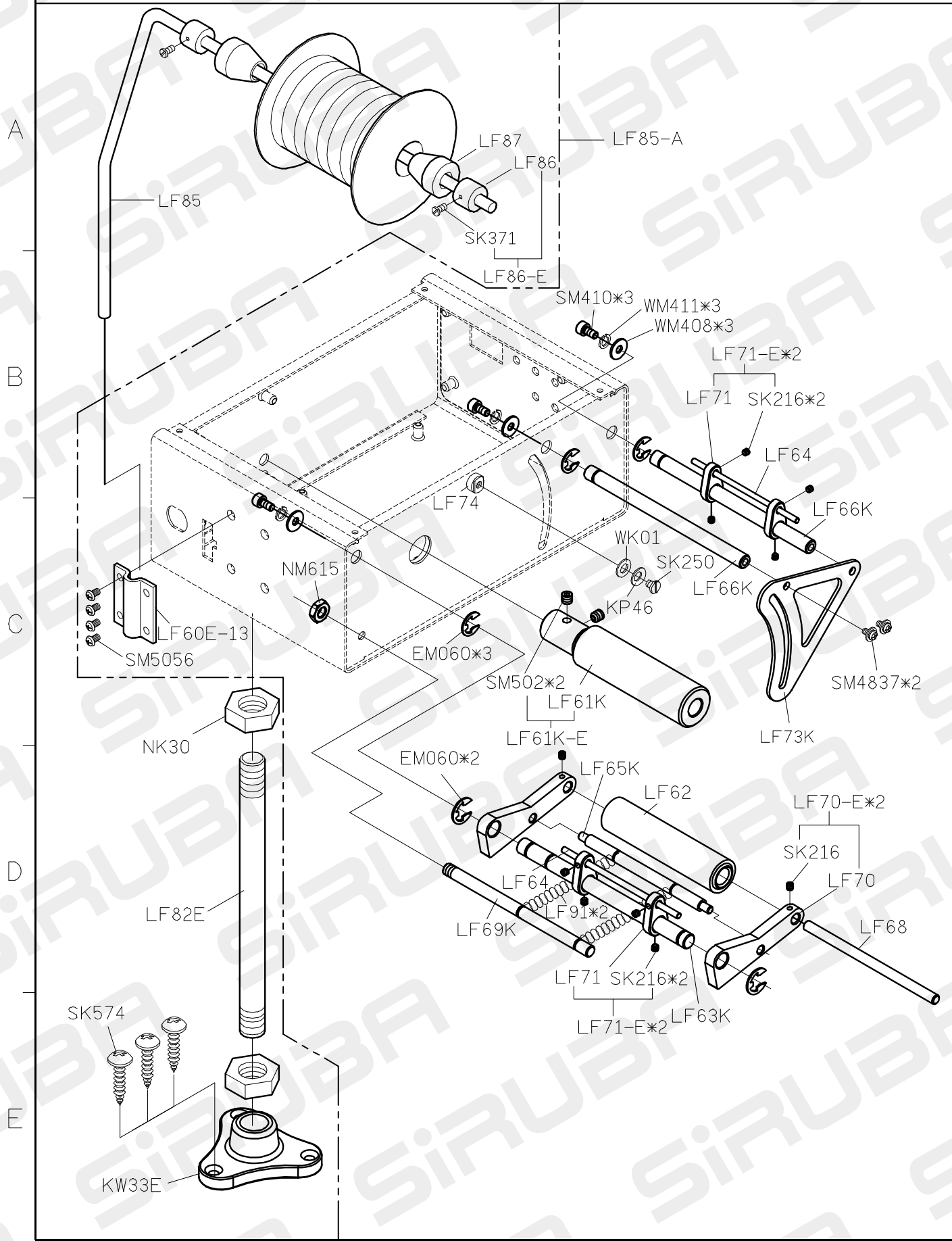


E

FOR GA/P

1 2 3 4 5

# 700K PARTS LIST FOR LFAK-A GROUP P.1/2





# 700K PARTS LIST FOR LFAK-A GROUP P.2/2

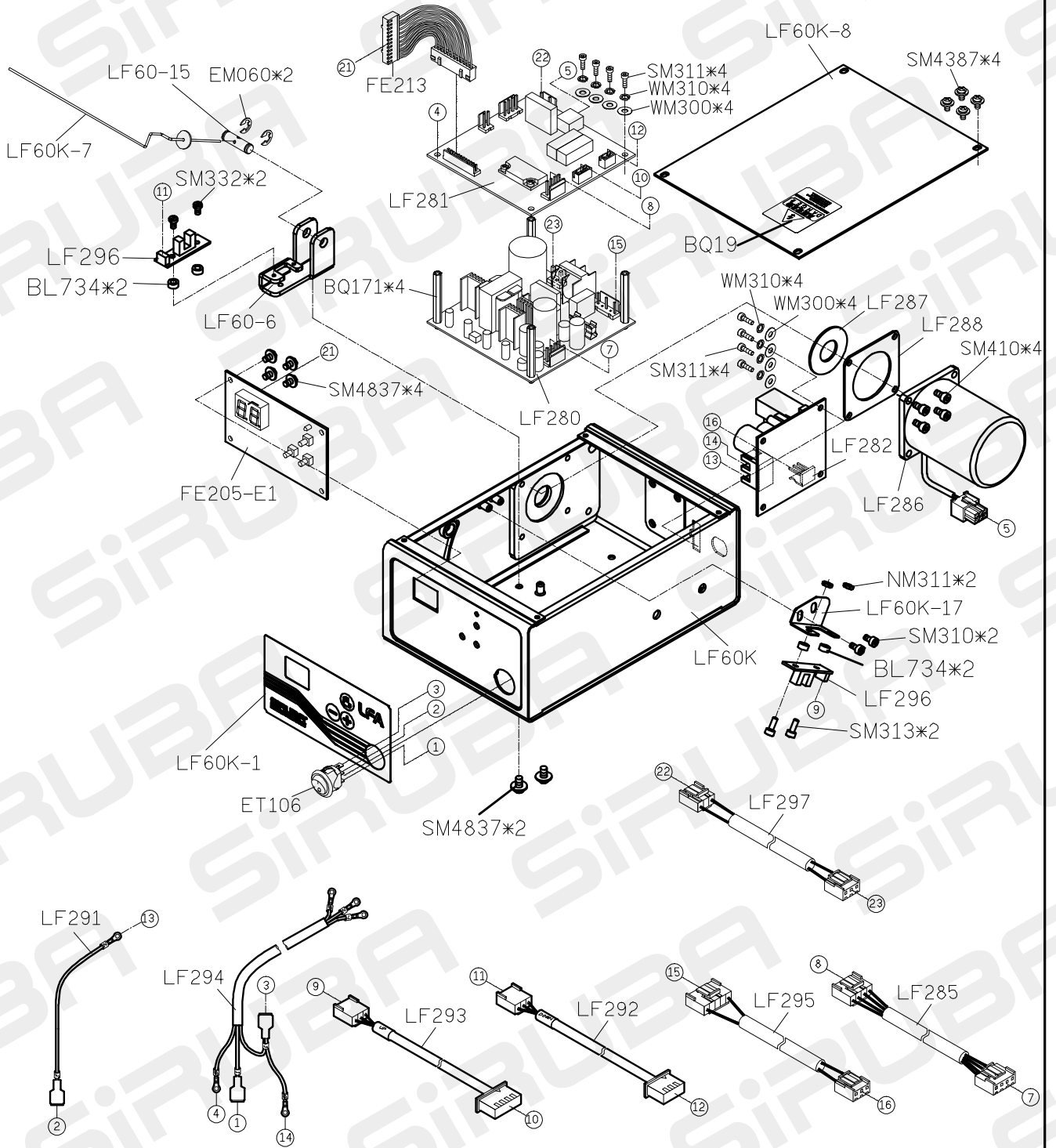
A

B

C

D

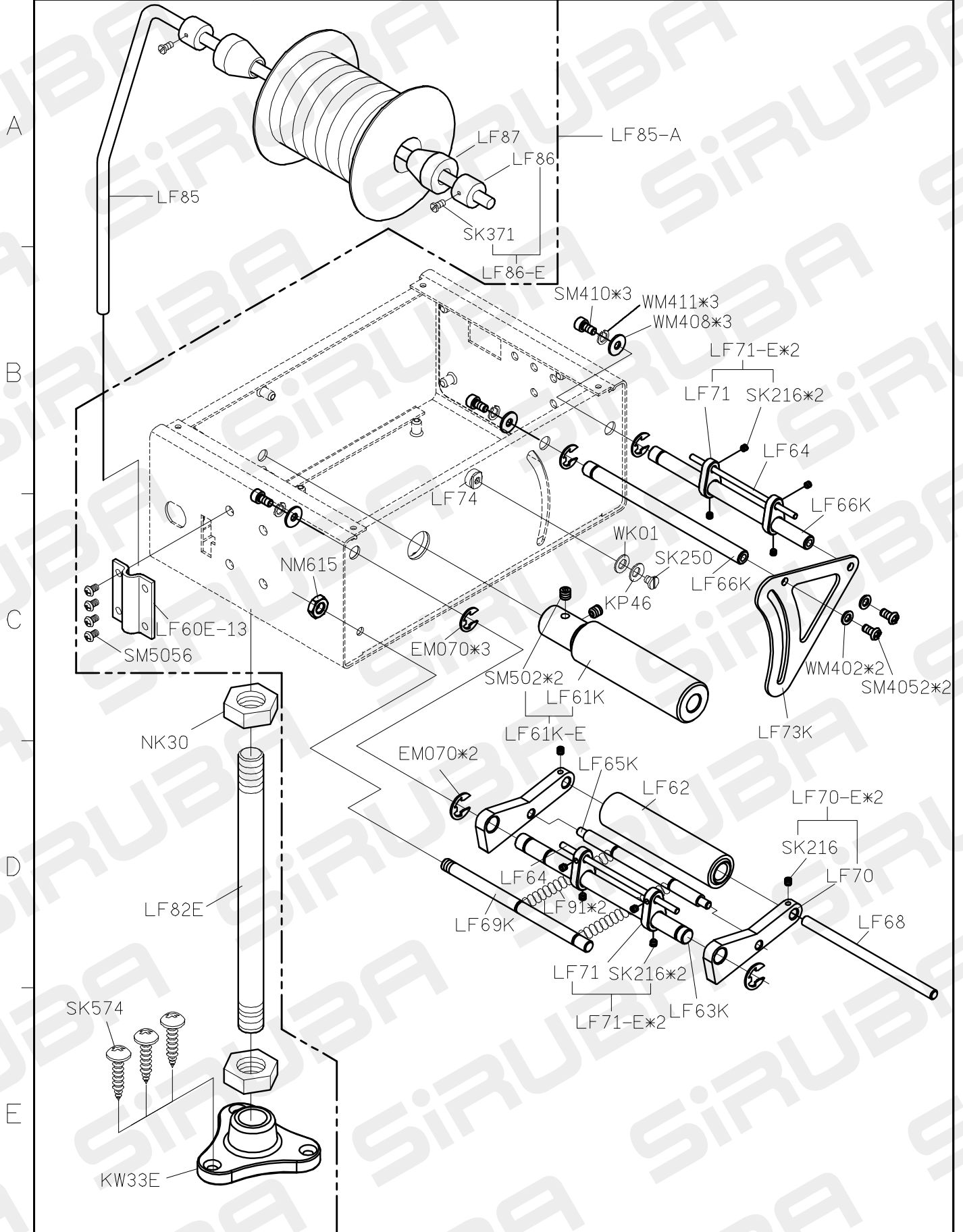
E



\* FOR 1 700K/F007K 2 3 4 5

10/04/22

# 700K PARTS LIST FOR LFAK-A1 GROUP P.1/2



\* FOR 1 700K/F007K 2 3 4 5

# 700K PARTS LIST FOR LFAK-A1 GROUP P.2/2

LF289-A

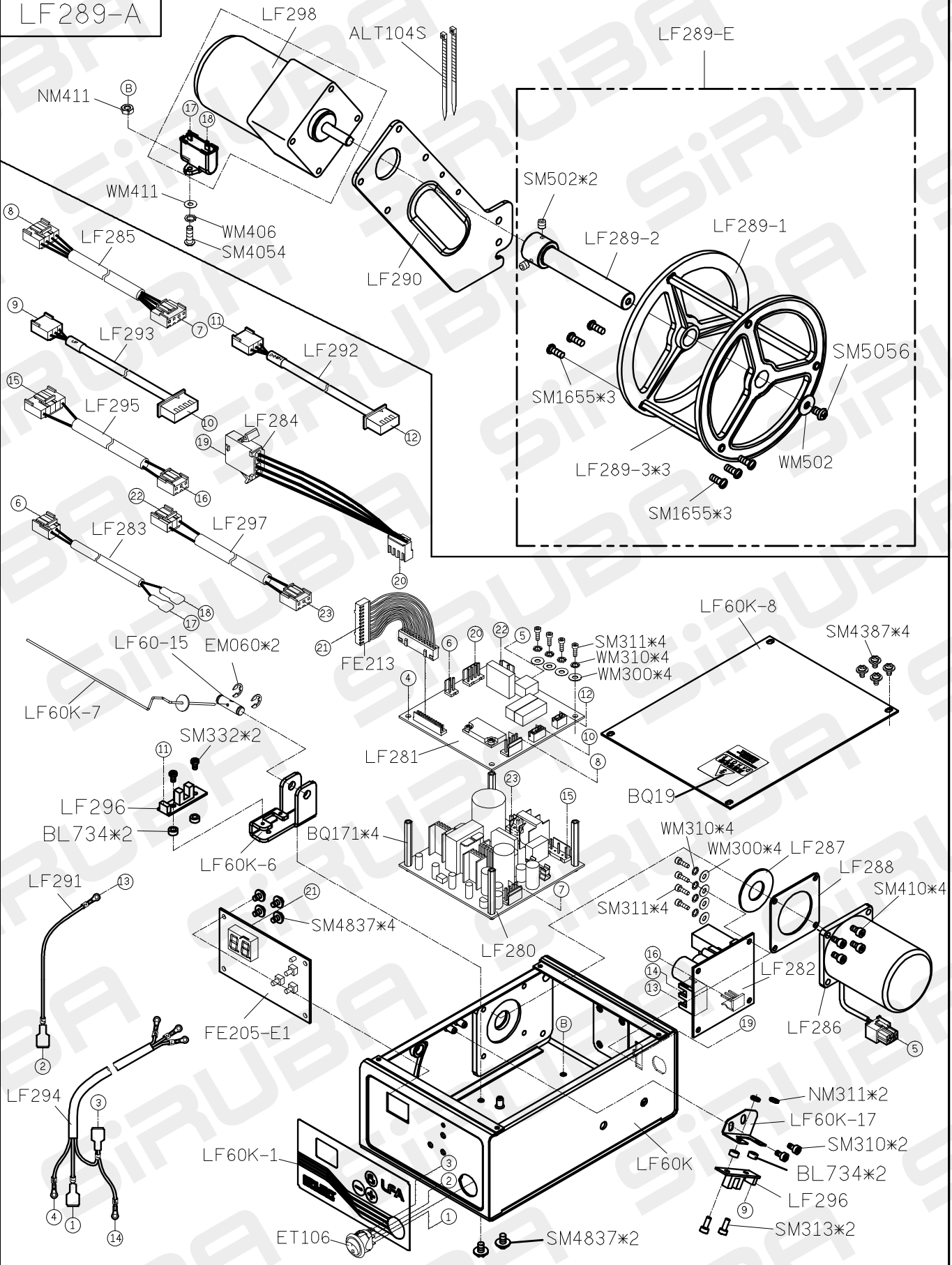
A

B

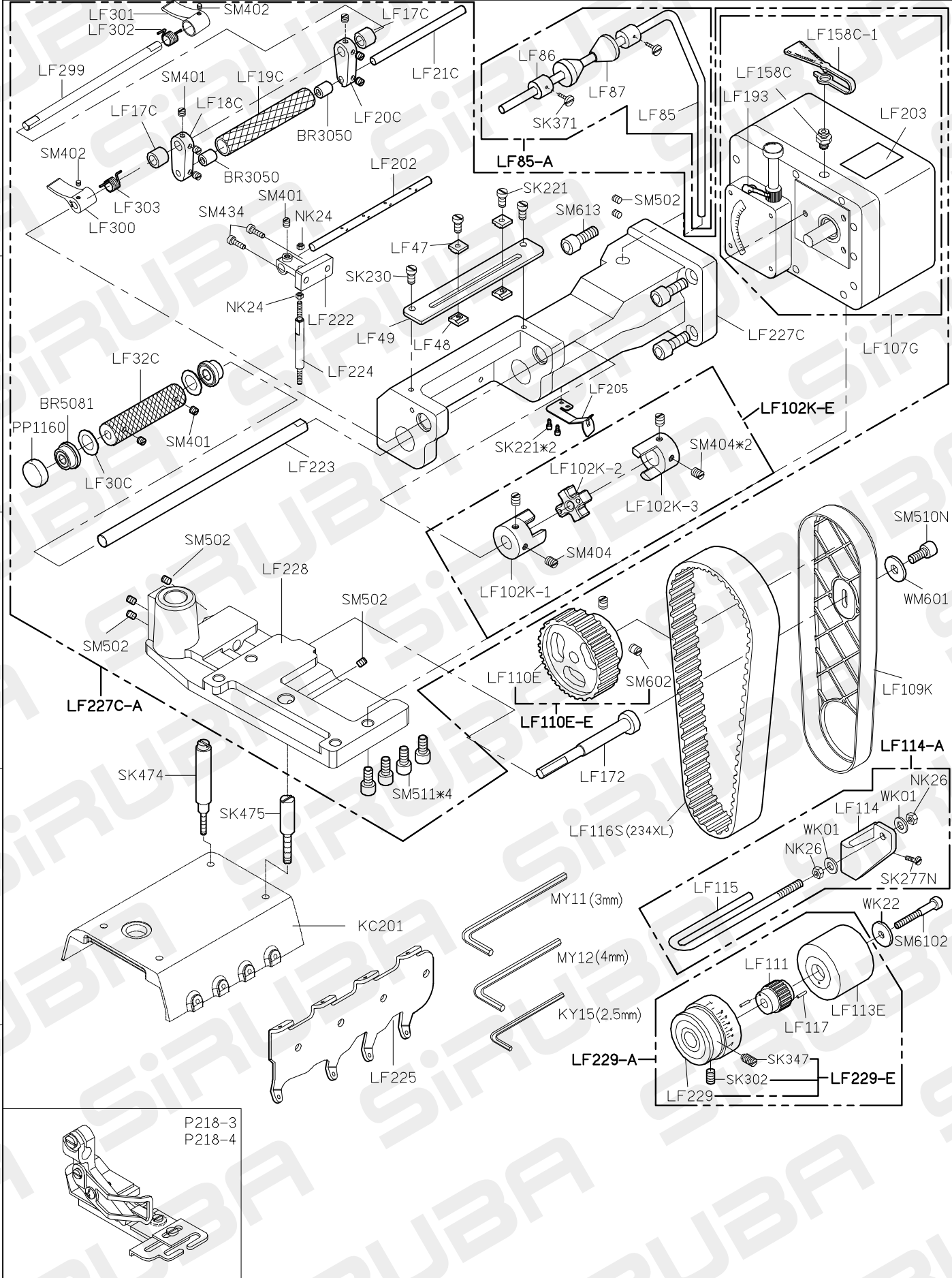
C

D

E



# PARTS LIST FOR LFC-3 GROUP P.1/1



# 700K PARTS LIST FOR PS-K GROUP P.1/1

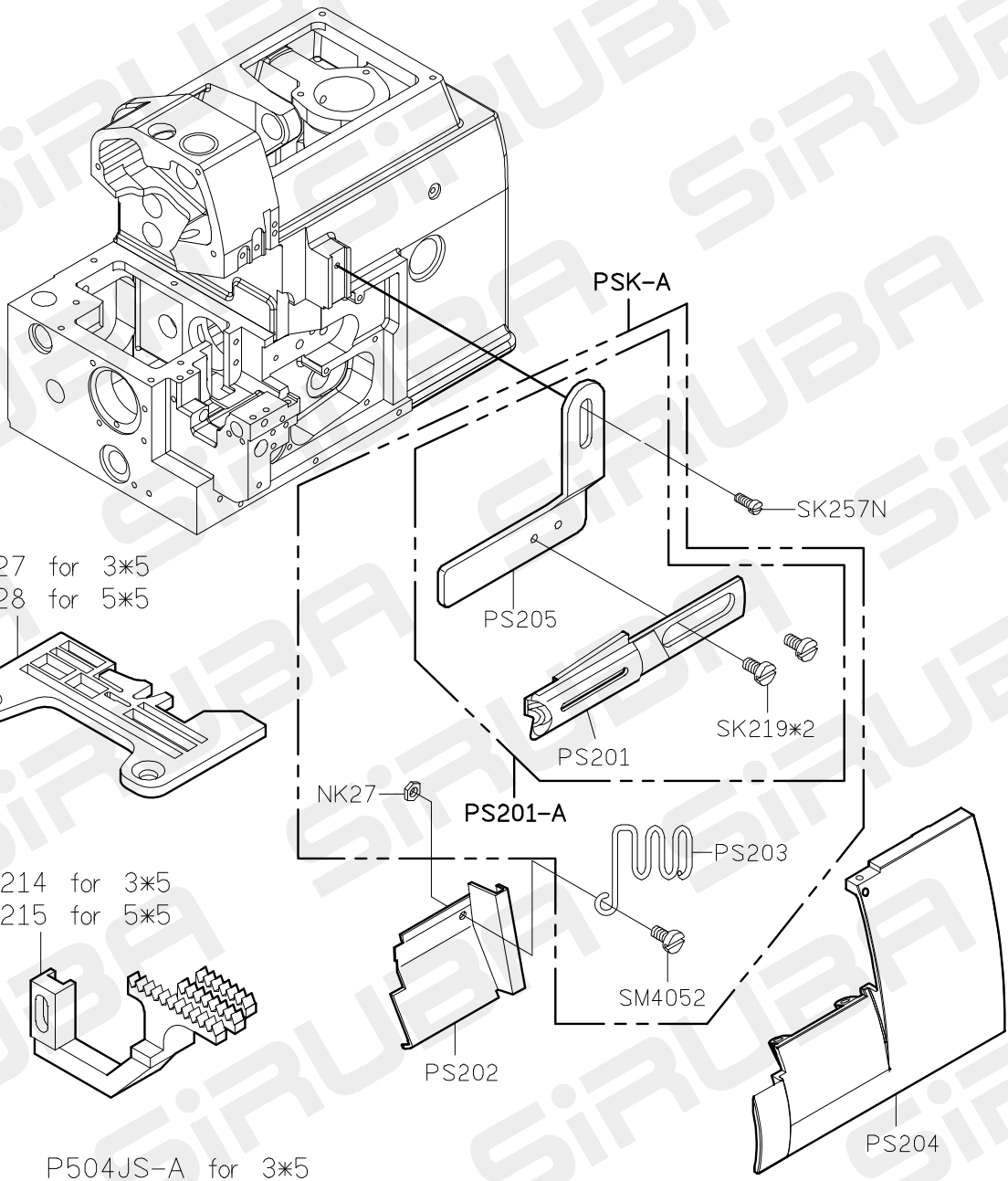
A

B

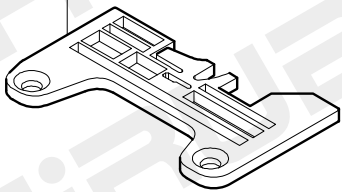
C

D

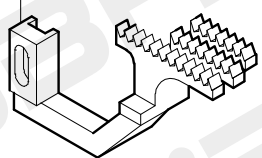
E



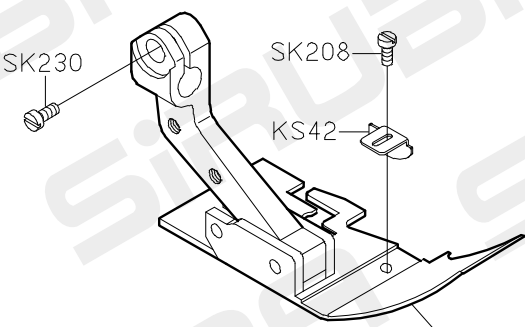
E227 for 3\*5  
E228 for 5\*5



H214 for 3\*5  
H215 for 5\*5



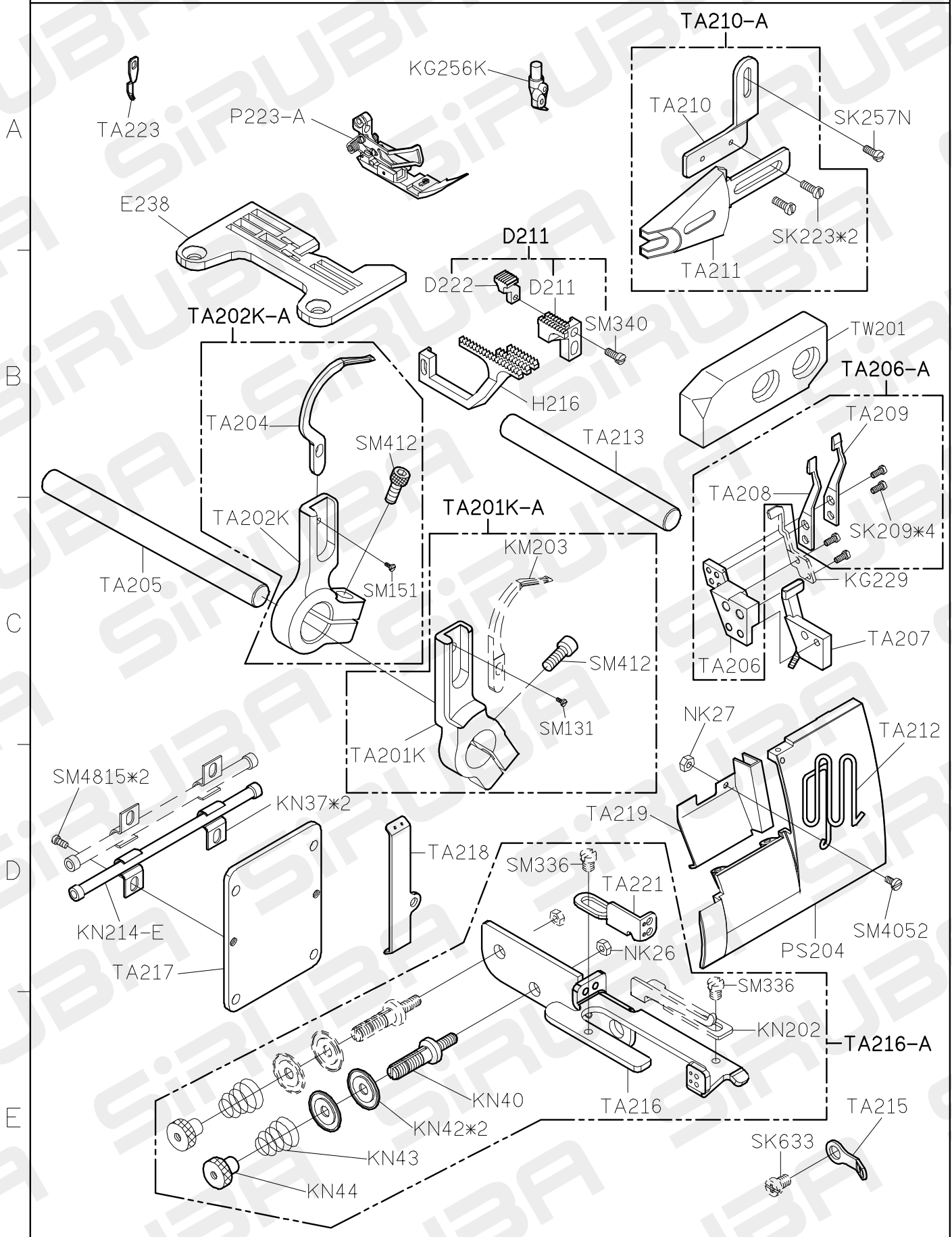
P504JS-A for 3\*5  
P502JS-A for 5\*5



P504S for 3\*5  
P502S for 5\*5

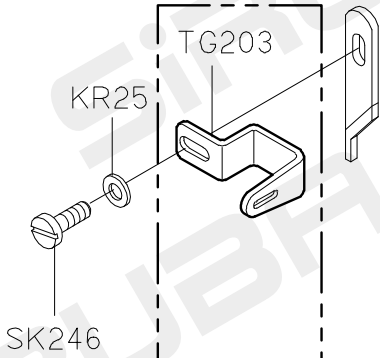
1 2 3 4 5

# 700K PARTS LIST FOR TA-K GROUP P.1/1

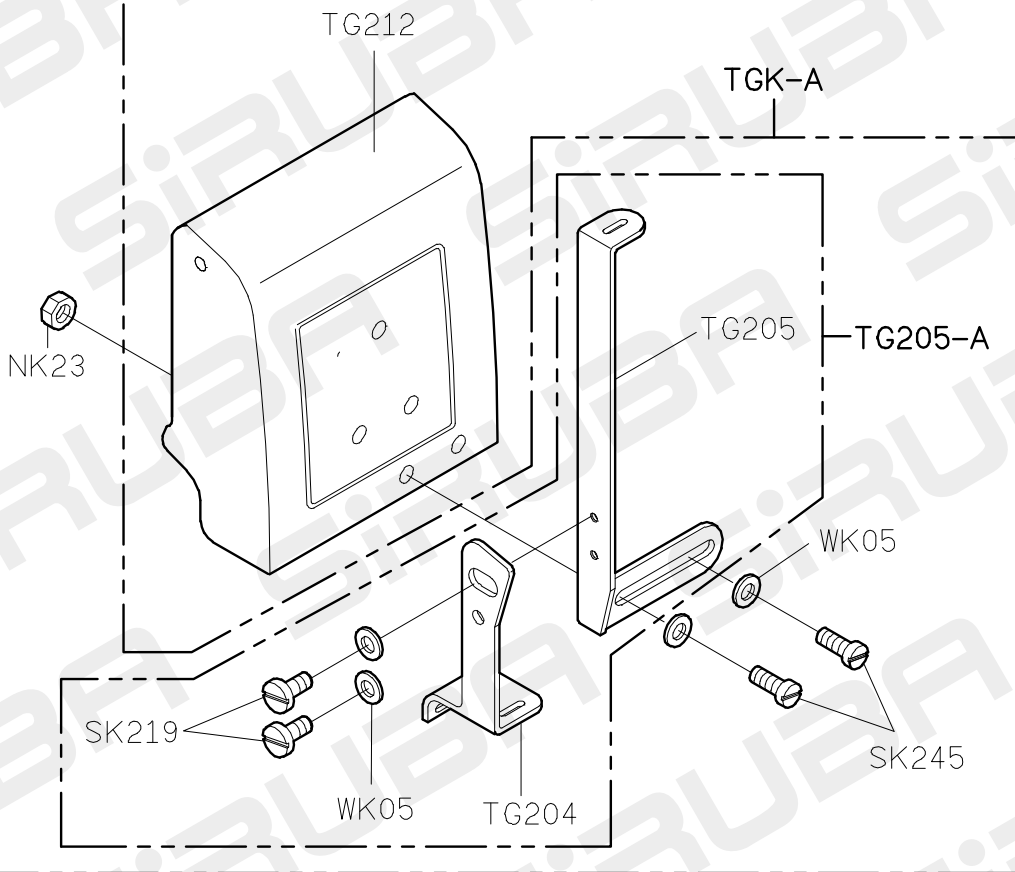


# 700K PARTS LIST FOR TG GROUP P.1/1

A



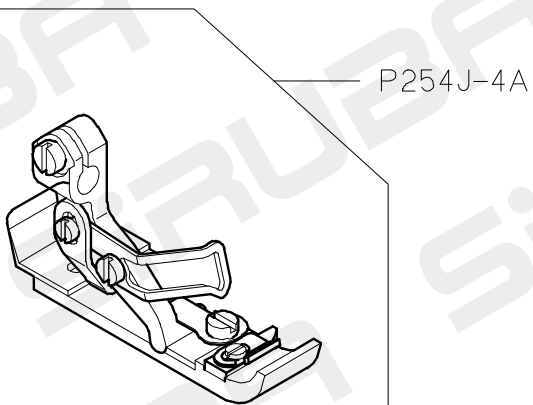
B



C

D

E



1

2

3

4

5

5

# 700K PARTS LIST FOR TR GROUP P.1/1

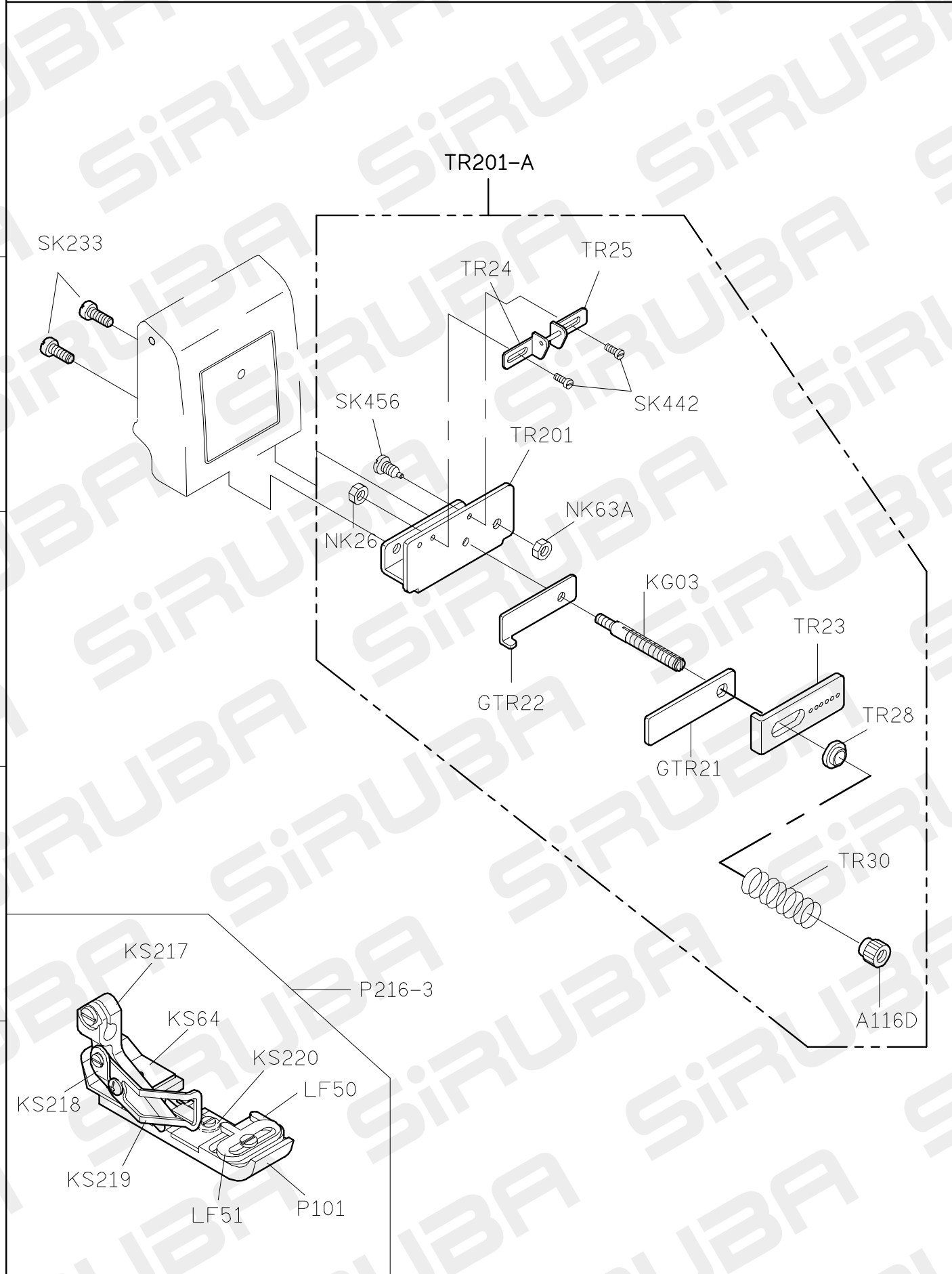
A

B

C

D

E



1

2

3

4

5



# 700K PARTS LIST FOR TW GROUP P.1/1

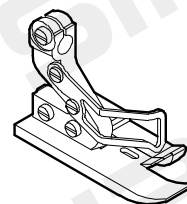
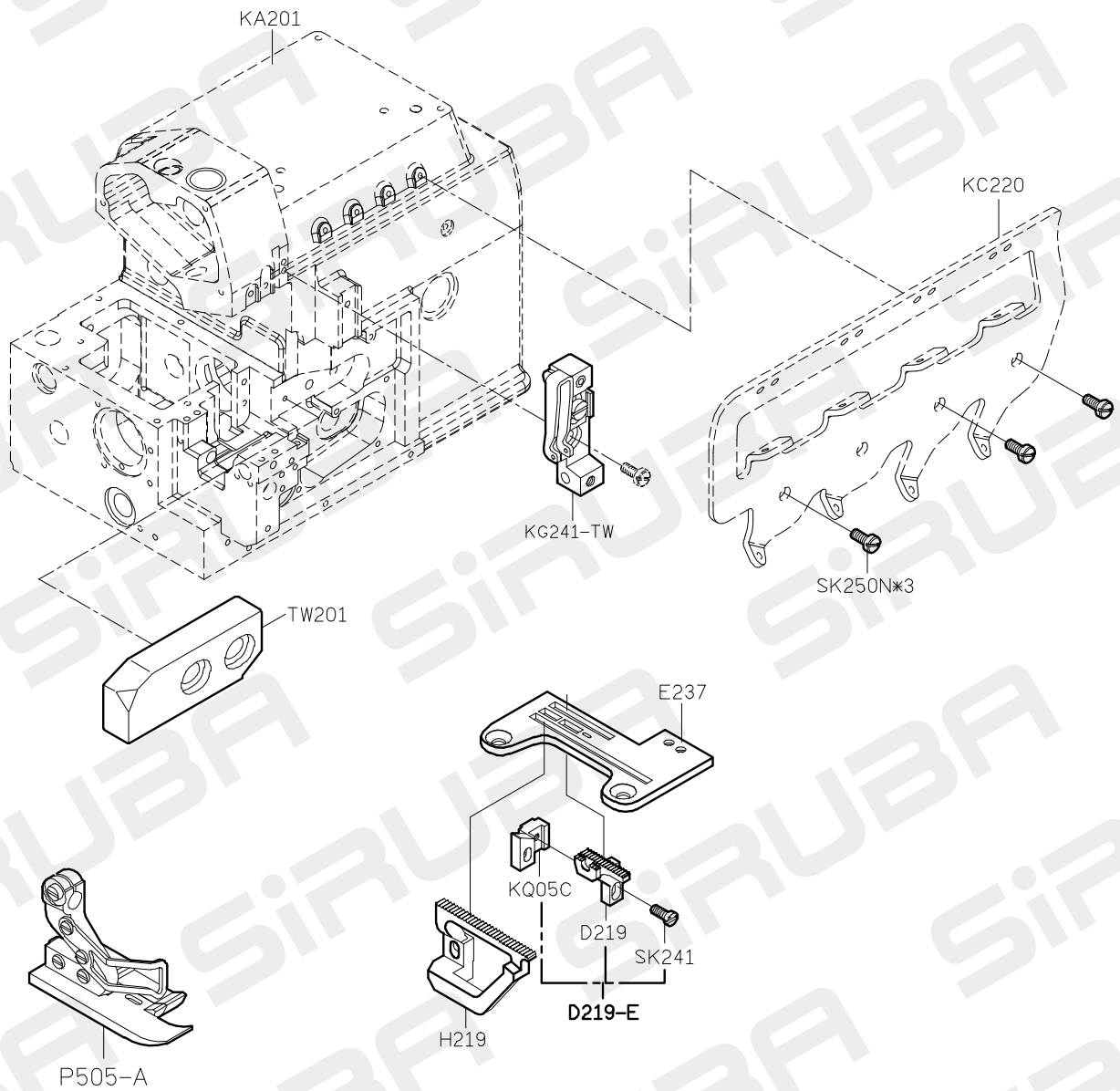
A

B

C

D

E

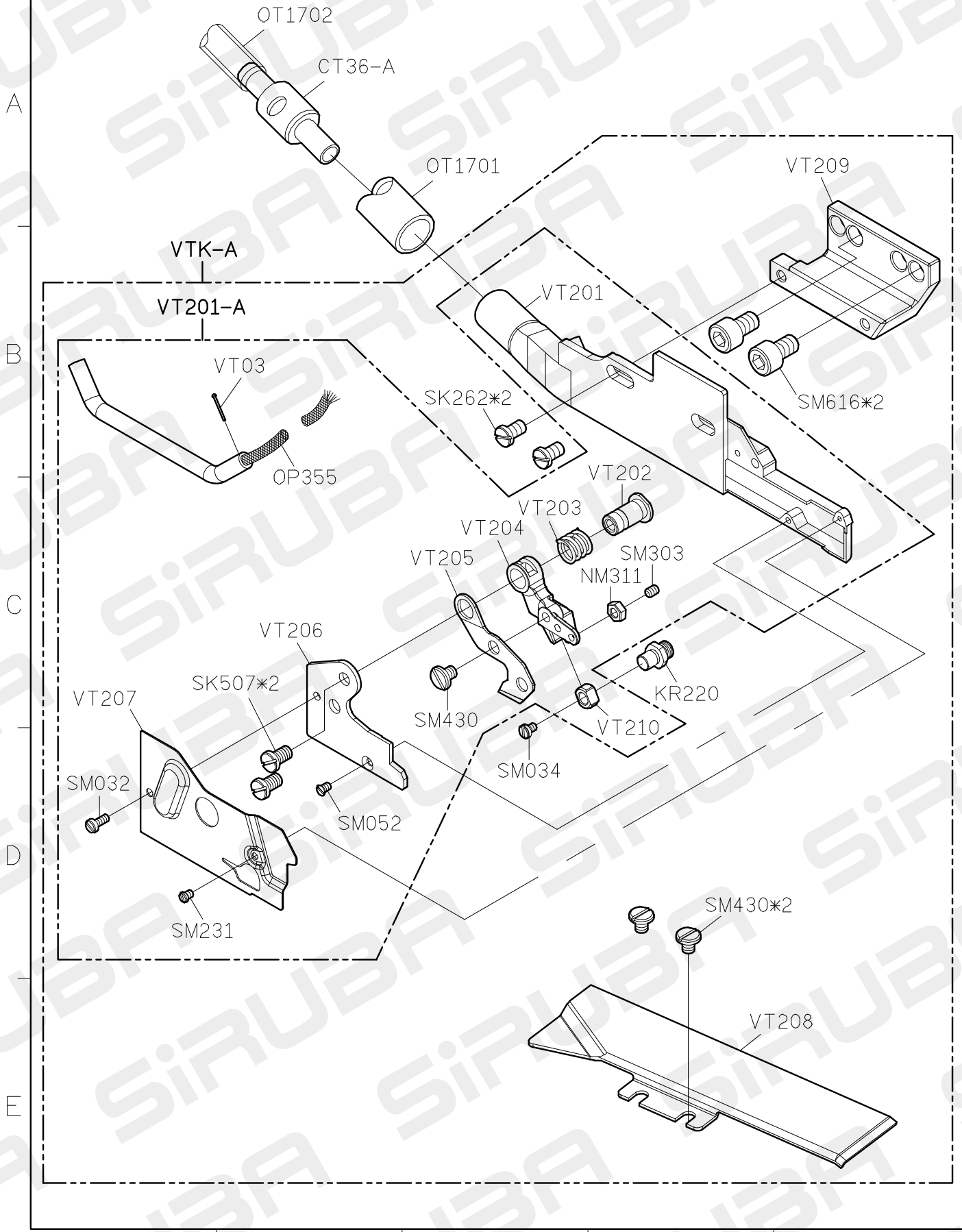


P506-A

● 客戶選購

PARTS NO	GAUGE
P506-2	5
P506-3	6

# 700K PARTS LIST FOR VT GROUP P.1/1



# 700K PARTS LIST FOR WR-K GROUP P.1/1

