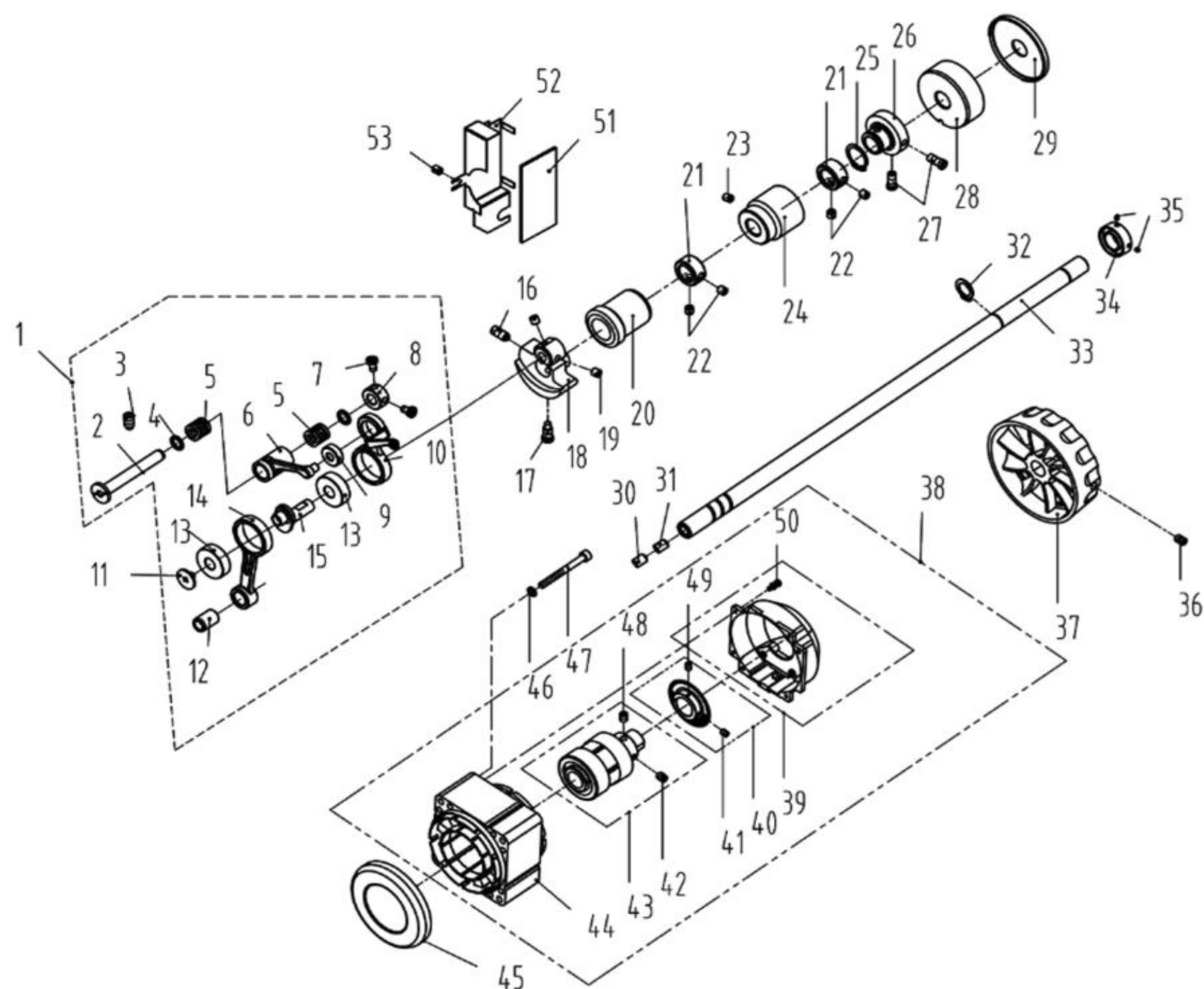


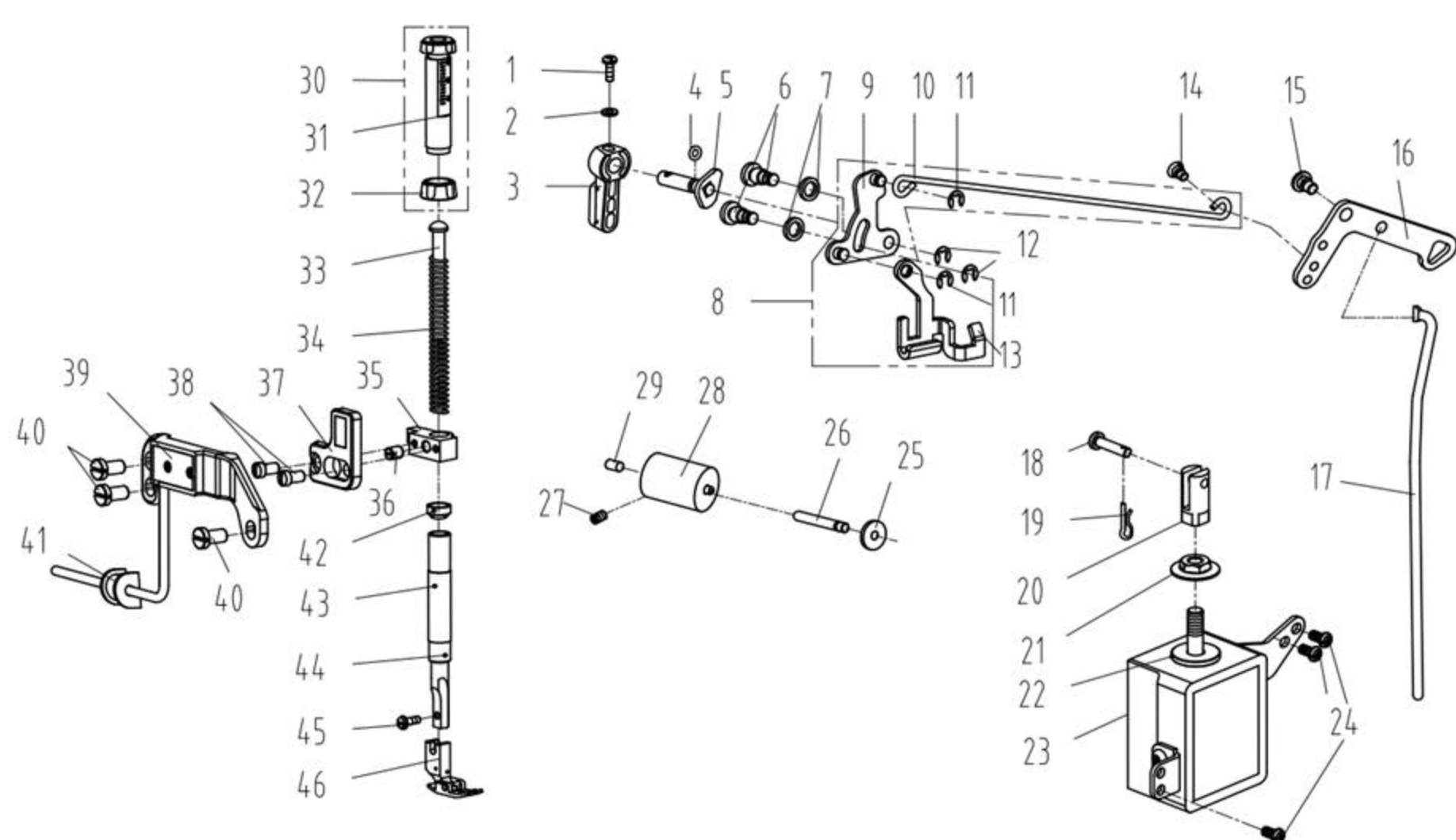
1. 机壳、外装部件/Machine Frame & Miscellaneous Cover Components

序号 NO	公司件号	Part NO	名称	PartName	零件描述	Description	数量	Number
1	101S11001		螺钉SM3/16"×28 L=9		Screw SM3/16"×28 L=9		15	
2	10122003		面板调节孔螺塞		Rubber plug		2	
3	14437001		面板商标牌		Head card		1	
4	930000774		面板(喷漆)		Face plate asm		1	
5	115201008		面板		Face plate asm		1	
6	101S11007		螺钉SM11/64"×40 L=6		Screw SM11/64"×40 L=6		2	
7	13813005		左线钩		Thread guide left		1	
8	14322006		面板垫		Face plate gasket		1	
9	S10007		螺钉M4 L=4		Screw M4 L=4		2	
10	101S11004		螺钉SM3/16"×28 L=7		Screw SM3/16"×28 L=7		2	
11	11523001400		倒缝开关组件(三开关)		Three switch components		1	
12	101S11026		螺钉SM15/64"×28 L=9		Screw SM15/64"×28 L=9		1	
13	13812018		挑线杆防护罩		Thread take-up lever cover		1	
14	13822001		操作屏孔塞		Rubber plug		4	
15	10122004		针杆曲柄螺孔塞		Rubber plug		1	
16	10122005		挑线连杆销螺孔塞		Rubber plug		2	
17	14437002		机头商标牌		Head brand		1	
18	114S11015		螺钉SM9/64"×40 L=6		Screw SM9/64"×40 L=6		2	
19	11419001		割线刀		Knife		1	
20	138S05001		螺钉M3 L=12		Screw M3 L=12		3	
21	20722002		油封		Rubber plug		1	
22	14112008		防油板		Oil preventing plate		1	
23	14123002		防油板油棉		Oil cotton		2	
24	141S11001		开槽圆柱头螺钉SM3/16"×28		Screw SM3/16"×28 L=9.5		1	
25	115222003		后窗板垫		Side plate gasket		1	
26	115212006		后窗板		Side plate		1	
27	930000773		后窗板(喷漆)		Side plate		1	
28	13812109		侧盖固定板		Fixed plate		1	
29	S04010		螺钉M4 L=5.5		Screw M4 L=5.5		1	
30	H05002		卡簧3		Circlip 3		1	
31	138S30007		侧盖螺钉SM3/16"×28		Screw SM3/16"×28		1	
32	113811004		尼龙扎带		Cable band		8	
33	115026002		电控罩壳销		Pin		1	
34	11523002100		一体机电控组件(众邦)(+)		Electronic components(Z)(+)		1	
35	114S13001		螺栓(内六角)M5 L=20		Screw M5 L=20		3	
36	114S30001		螺栓(内六角)M5 L=25		Screw M5 L=25		1	
37	W01009		垫圈 5		Washer 5		2	
38	114130006		无线通信模块		RF wireless data communication module		1	
39	10122007		下轴工艺孔塞		Rubber plug		1	
40	11523002300		电控面板组件(三合一屏)		Control panel (Three in one screen)		1	
41	138S08006		螺钉SM3/16"×28 L=7		Screw SM3/16"×28 L=7		1	
42	13810008		小夹线器螺柱		Thread tension post		1	
43	13812066		过线板		Thread tension guide plate		1	
44	14112017		小夹线板		Thread tension disk		2	
45	11227001		小夹线弹簧		Thread tension spring		1	
46	141S16019		小夹线器螺母		Thread tension nut		1	
47	1411300400		小夹线器组件		Thread tension asm		1	
48	11411300200		夹线器组件		Thread tension asm		1	
	1411300500		夹线器组件(厚料)		Thread tension asm(H)		1	
49	141S16013		夹线螺母		Thread tension nut		1	
50	10112007		夹线制动板		Thread disk rotating stopper		1	
51	10127002		夹线弹簧		Thread tension spring		1	
	11427050		夹线弹簧(厚料)		Thread tension spring A (H)		1	
52	14112016		松线板		Disk stopper		1	
53	14112015		夹线板		Thread tension disk		2	
54	141S30001		夹线螺钉		Thread tension post		1	
55	10127001		挑线簧		Thread take-up spring		1	
	10127031		挑线簧(厚料)		Thread take-up spring(H)		1	
56	10103011		挑线簧调节座		Thread tension base		1	
57	10122014		挑线簧调节座O型圈		Rubber ring		1	
58	101S15005		螺钉SM9/64"×40 L=5.5		Screw SM9/64"×40 L=5.5		1	
59	11326012		松线钉		Tension release pin		1	
60	11493000300		电子夹线器组件		Nest less e-device		1	
61	207S14007		凹端紧定螺钉 M4 L=6		Screw M4 L=6		1	
62	14322007		橡皮塞(双孔)		Rubber plug		1	
63	101S11007		螺钉SM11/64"×40 L=6		Screw SM11/64"×40 L=6		2	
64	10113004		右线钩		Thread guide right		1	
65	101S15010		螺钉SM15/64"×28 L=10.5		Screw SM15/64"×28 L=10.5		1	
66	401S16001		螺母SM11/64"×40		Nut SM9/64"×40		1	
67	11413011		固定式缓线钩		Thread guide		1	
68	101S11002		螺钉SM11/64"×40 L=5.5		Screw SM11/64"×40 L=5.5		1	
69	13812019		卷边器座		Ruler stop seat		1	
70	115215006		针板(2.0) (E14)		Needle plate(E14)		1	
	115215005		针板(2.0) (E18)		Needle plate(E18)		1	
	115215003		针板(2.0) (E16)		Needle plate(E16)		1	
	115215001		针板(2.0)		Needle plate (2.0)		1	
	11315001		针板(厚料)		Needle plate(H)		1	
71	104S17002		针板螺钉SM11/64"×40 L=6.5		Screw SM11/64"×40 L=6.5		2	
72	143S12002		底板支柱		Machine head stud		2	
73	101S11019		螺钉SM3/32"×56 L=2		Slide plate SM3/32×56 L=2		2	
74	10127009		推板簧		Slide plate spring		1	
75	10115002		推板		Slide plate		1	
	115215008		推板 (不锈钢)		Slide plate		1	



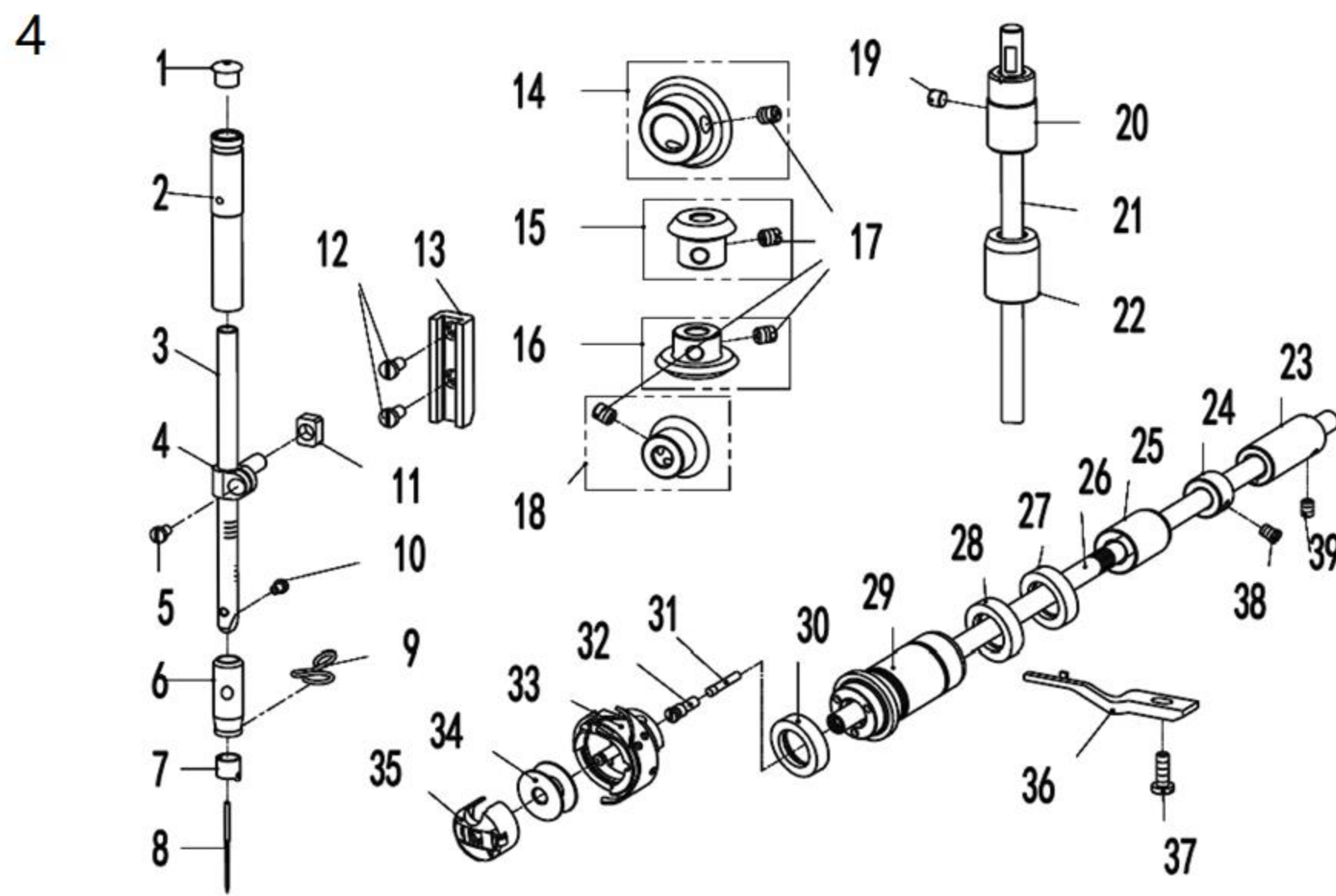
2. 上轴、挑线部件/Main Shaft & Thread Take-up Components

序号NO	公司件号	Part NO	名称	PartName	零件描述	Description	数量	Number
1	11413800400		挑线组件		Thread take-up asm		1	
	1143800500		挑线组件 (厚料)		Thread take-up asm (H)		1	
2	11426001		挑线连杆销		Thread take-up asm		1	
3	101S15001		螺钉SM15/64"x28 L=15		Screw SM15/64"x28 L=15		1	
4	11411005		轴承支撑挡圈		snap ring		2	
5	B08003		GB/T5801-1986滚针轴承K7x10x10		Bearing support		2	
6	11438004		挑线杆连杆		Thread take-up connecting rod		1	
7	114S14002		螺钉SM11/64"x40 L=4		Screw SM11/64"x40 L=4		2	
8	11408002		挡圈		snap ring		1	
9	B01013		GB/T 276-1994轴承605-ZZ		Bearing		1	
10	11438003		挑线杆		Thread take-up lever		1	
	11438006		挑线杆 (厚料)		Thread take-up lever (H)		1	
11	101S17001		螺钉SM9/64"x40 (左旋) L=4.8		Screw SM9/64"x40 (left hand) L=4.8		1	
12	12203004		针杆连杆铜套		needle-bar rod copper sleeve		1	
13	B01014		GB/T 276-1994轴承608-ZZ		Bearing		2	
14	11438002		针杆连杆		needle bar connecting rod		1	
15	11402007		挑线曲柄		Needle bar crand		1	
	11402042		挑线曲柄 (厚料)		Needle bar crand (H)		1	
16	101S15004		针杆曲柄紧固螺钉SM9/32"x28 L=16		Screw SM9/32"x28 L=16		1	
17	101S11003		针杆曲柄定位螺钉SM9/32"x28 L=16		Screw SM9/32"x28 L=16		1	
18	14104004		针杆曲柄		Needle bar crank		1	
19	101S15002		送料轴挡圈螺钉SM1/4"x40 L=6		Screw SM1/4"x40 L=6		2	
20	1410300200		上轴前轴套组件		Main shaft bushing front		1	
21	10108001		上轴挡圈		Main shaft thrust collar		2	
22	101S14001		上轴中套挡圈螺钉		Screw		4	
23	101S15006		夹线器螺钉SM15/64"x28 L=7		Screw SM15/64"x28 L=7		1	
24	12203002		主轴中轴套		Main shaft bushing mid		1	
25	H03002		挡圈20		Snap ring 20		1	
26	14310001		送料偏心轮		Feed eccentric cam		1	
	115210001		偏心轮 (-H)		Feed eccentric cam(-H)		1	
27	101S11013		送料偏心轮螺钉 SM1/4"x40 L=13		Screw SM1/4"x40 L=13		2	
28	13803002		上轴后轴套		The rear axle sleeve		1	
29	10122105		上轴后套挡油油封		Oil seal		1	
30	10122012		上轴孔塞		Rubber plug		1	
31	14123006		上轴毡塞		Rubber plug		1	
32	H03001		GB/T894.1-1986挡圈15		Snap ring 15		1	
33	115202003		上轴		Main shaft		1	
34	115008001		电机防尘套		Motor dust jacket		1	
35	S10005		螺钉M3 L=3		Screw M3 L=3		2	
36	S10009		螺钉		Screw		2	
37	302830		手轮(喷漆)		Handwheel		1	
38	114333016		光电伺服电机(众邦)		Motor(Z)		1	
39	95100172		电机罩壳组件		Motor cover asm		1	
40	95100116		电机光栅组件		Motor grating sensor asm		1	
41	S09022		螺钉M3 L=4		Screw M3 L=4		1	
42	S09162		内六角平端紧定螺钉M6 L=6		Screw M6 L=6		1	
43	95100182		电机转子总成		Motor rotor		1	
44	95100171		电机定子总成		Motor stator		1	
45	13811060		电机绝缘防护罩		Motor insulation shield		1	
46	W02058		GB 93-1987弹垫d5		Spring washer 5		3	
47	S05901		螺钉M5 L=50		Screw M5 L=50		3	
48	S09162		内六角平端紧定螺钉M6 L=6		Screw M6 L=6		1	
49	S09022		螺钉M3 L=4		Screw M3 L=4		1	
50	951S15011		螺钉组合件M3 L=12		Screw asm M3 L=12		5	
51	14123001		防油罩油棉		Oil cotton		1	
52	14112004		防油罩		Oil shield		1	
53	141S11002		圆柱头螺钉SM3/16"x28 L=4.5		Screw SM3/16"x28 L=4.5		1	



3 压料、自动抬压脚部件/Presser Bar & Auto Lifter Components

序号NO	公司件号	Part NO	名称	PartName	零件描述	Description	数量	Number
1	101S11010		压脚扳手螺钉SM9/64"x40 L=11		Screw SM9/64"x40 L=11		1	
2	10128002		压脚扳手螺钉垫圈		Washer		1	
3	13811029		压脚扳手		Hand lifter		1	
4	O01004		O型圈		Rubber ring		1	
5	1411000200		压脚扳手凸轮分部件		Hand lifter cam asm.		1	
6	101S20001		前杠杆螺纹销		Screw		2	
7	10128015		螺纹销橡胶垫圈		Washer		2	
8	11501203000		抬压脚前杠杆组件		Knee lifter lever asm		1	
9	1411201100		抬压脚前杠杆分部件		Lift front lever component		1	
10	14312012		抬压脚拉杆		Knee lifter pull rod		1	
11	H05003		GB/T896-1986挡圈 5		Snap ring		2	
12	11329020		挡圈 5		Snap ring		3	
13	114112028		压脚升降板		Lifting plate		1	
14	101S20004		抬压脚拉杆螺钉SM3/16"x32		Hinge Screw SM3/16"x32		1	
15	101S20003		后杠杆轴位螺钉SM15/64"x28		Hinge screw SM15/64"x28		1	
16	11312034		抬压脚后杠杆		Knee lifter back lever		1	
17	114112022		抬压脚顶杆		Knee lifter connecting rod		1	
18	11326005		销子		Pin		1	
19	113829001		R形弹性开口销φ1.5		Cotter pin		1	
20	11326006		电磁铁接头		Solenoid connector		1	
21	113S16004		法兰螺母M8		Flange nuts M8		1	
22	11322008		电磁铁上垫片		washer		1	
23	11493000600		抬压脚电磁铁组件		Solenoid asm.		1	
24	101S11001		螺钉SM3/16"×28 L=9		Screw SM3/16"×28 L=9		3	
25	10128001		松线辅钉垫片		Washer		1	
26	114126003		松线辅钉		Thread release supporting pin		1	
27	113S14010		螺钉SM15/64 " L=12		Screw SM15/64 " L=12		1	
28	11463000300		松线电磁铁组件		Solenoid		1	
29	12922015		橡皮塞		Spout plug		1	
30	11381101800		调压螺钉组件		Presser regulating screw nut asm.		1	
31	113811018		调压螺钉		Press regulating screw		1	
	1138NS30003		调压螺钉(厚料)		Press regulating screw (H)		1	
32	13811028		调压螺母		Press regulating nut		1	
	1138NS16005		调压螺母(厚料)		Press regulating nut(H)		1	
33	10102003		调压导杆		Press regulating guide bar		1	
34	113827010		调压簧		Press regulating spring		1	
	10127024		调压簧(厚料)		Press regulating spring(H)		1	
35	10409001		压杆导架		Presser bar guide bracket		1	
36	101S15007		螺钉 SM1/4"x40 L=8		Screw SM1/4"x40 L=8		1	
37	11493001000		薄厚检测磁铁组件		Thick and thin detection magnet		1	
38	114S11015		螺钉SM9/64"×40 L=6		Screw SM9/64"×40 L=6		2	
39	11493001100		薄厚检测装置组件		Thickness measuring device		1	
40	101S11007		螺钉SM11/64"×40 L=6		Screw SM11/64"×40 L=6		3	
41	14322004		厚薄检测橡胶塞		Rubber plug		1	
42	10122112		压杆防油套		Pressure bar oil cover		1	
43	14103012		压杆衬套		Presser bar bushing,lower		1	
44	11402009		压杆		Presser bar		1	
45	101S11009		螺钉SM9/64"x40 L=10.5		Screw SM9/64"x40 L=10.5		1	
46	11521600100		活压脚组件		Movable presser foot assembly		1	
	1131600300		压脚组件(厚料)		Presser foot asm(H)		1	
	1411600100		带刀压脚组件(-N)		Tool presser foot assembly (-N)		1	

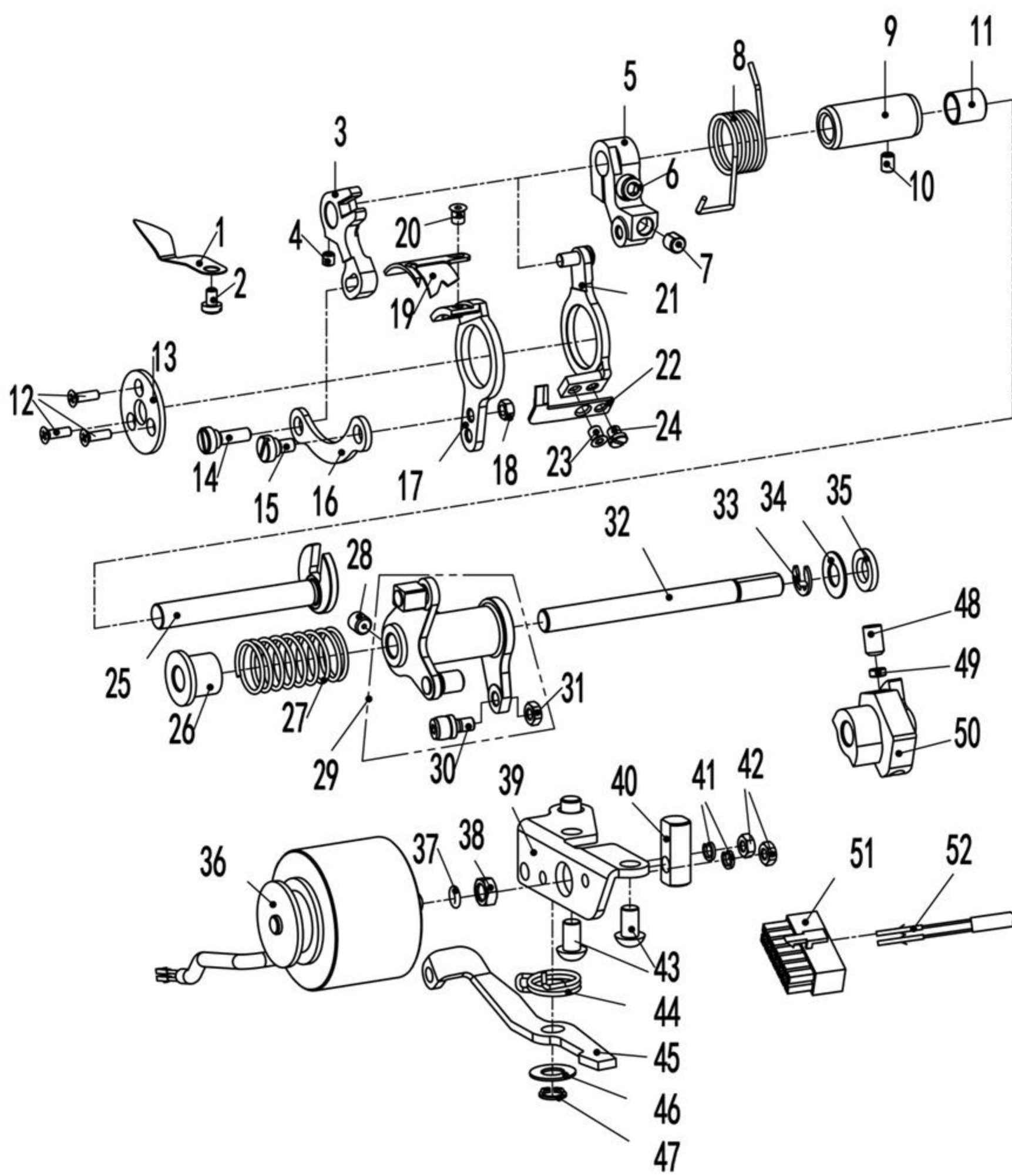


4. 针杆、竖轴、下轴部件/Needle bar & Upright Shaft & Hook Driving Shaft Components (1)

序号NO	公司件号	Part NO	名称	PartName	零件描述	Description	数量	Number
1	10122013		针杆上衬套孔塞		Rubber plug		1	
2	14103009		针杆上衬套		Needle bar bushing upper		1	
	10103009		针杆上衬套(厚料)		Needle bar bushing upper(H)		1	
3	11402034		针杆		Needle bar		1	
	11402035		针杆(厚料)		Needle bar (H)		1	
4	14104007		针杆连接柱		Needle bar connecting rod		1	
5	101S11005		螺钉SM9/64"x40 L=6		Screw SM9/64"x40 L=6		1	
6	14103010		针杆下衬套		Needle bar bushing lower		1	
	14103011		针杆下衬套(厚料)		Needle bar bushing lower(H)		1	
7	10113002		针杆线勾		Needle bar thread guide		1	
	11412063		针杆线勾(厚料)		Needle bar thread guide(H)		1	
8	11217001		机针DB×1 11#(日本风琴)		Needle		1	
	10117002		机针DP×5#21(厚料)		Needle(H)		1	
9	10413001		针杆下衬套线勾		Lower bushing thread guide		1	
	10113009		针杆下衬套线勾(厚料)		Lower bushing thread guide(H)		1	
10	104S11006		螺钉(进口) SM1/8"x44 L=4.5		Screw SM1/8"x44 L=4.5		1	
11	10109001		针杆连接柱滑块		Slide block		1	
12	101S11008		螺钉SM11/64"×40 L=8		Screw SM11/64"×40 L=8		2	
13	14109001		针杆接头滑块导轨		Needle bar guide		1	
14	10425004		上轴伞齿轮		Upper shaft bevel gear		1	
15	10425003		竖轴上伞齿轮		Upper small bevel gear asm		1	
16	10425002		竖轴下伞齿轮		Lower large bevel gear asm		1	
17	101S15014		螺钉SM1/4"x40 L=7		Screw SM1/4"x40 L=7		8	
20	10403020		竖轴上轴套		Upright shaft bushing upper		1	
21	115002008		竖轴		Upright shaft		1	
22	113803004		竖轴下轴套		Upright shaft bushing lower		1	
23	10403019		下轴后轴套		Hook driving shaft bushing back		1	
24	115008002		下轴挡圈		Hook driving shaft snap ring		1	
25	14003004		下轴中套		Lower shaft middle bushing		1	
26	14402003		下轴		Hook driving shaft		1	

序号NO	公司件号	Part NO	名称	PartName	零件描述	Description	数量	Number
27	11522001		油封组件12		Oil seal 12		1	
28	11522012		下轴前套油封(大)		Oil seal		1	
29	14103004		下轴前轴套组件		Hook driving shaft bushing front		1	
30	11522001		油封组件12		Oil seal 12		1	
31	13823001		下轴限油芯		Oil wick		1	
32	101S30005		下轴限油螺钉SM3/16"×32		Set screw SM3/16"×32		1	
33	114118001		薄料旋梭(精品)		Hook asm(-C)		1	
	11418002		德盛有尾巴厚料旋梭(方德款)(-CH)		Hook asm (China Desheng) (-CH)		1	
	11418004		广濑厚料旋梭(新)(有尾巴)(厚料)		Hook asm(Hirose)(H)		1	
	11418003		广濑中厚料旋梭(扩大缝纫范围)		Hook asm (Hirose)		1	
34	10118003		梭心		Bobbin		1	
35	11218504		梭壳		Bobbin case asm.		1	
36	10112016		旋梭定位钩		Finger postioner		1	
	10112032		旋梭定位钩(厚料)		Finger postioner(H)		1	
37	116S11005		螺钉SM11/64"×40 L=13		Screw SM11/64"×40 L=13		1	
38	101S11012		螺钉SM11/64"×40 L=4.8		Screw SM11/64"×40 L=4.8		2	
39	113S14020		螺钉SM11/64"×40 L=6		Screw SM11/64"×40 L=6		1	

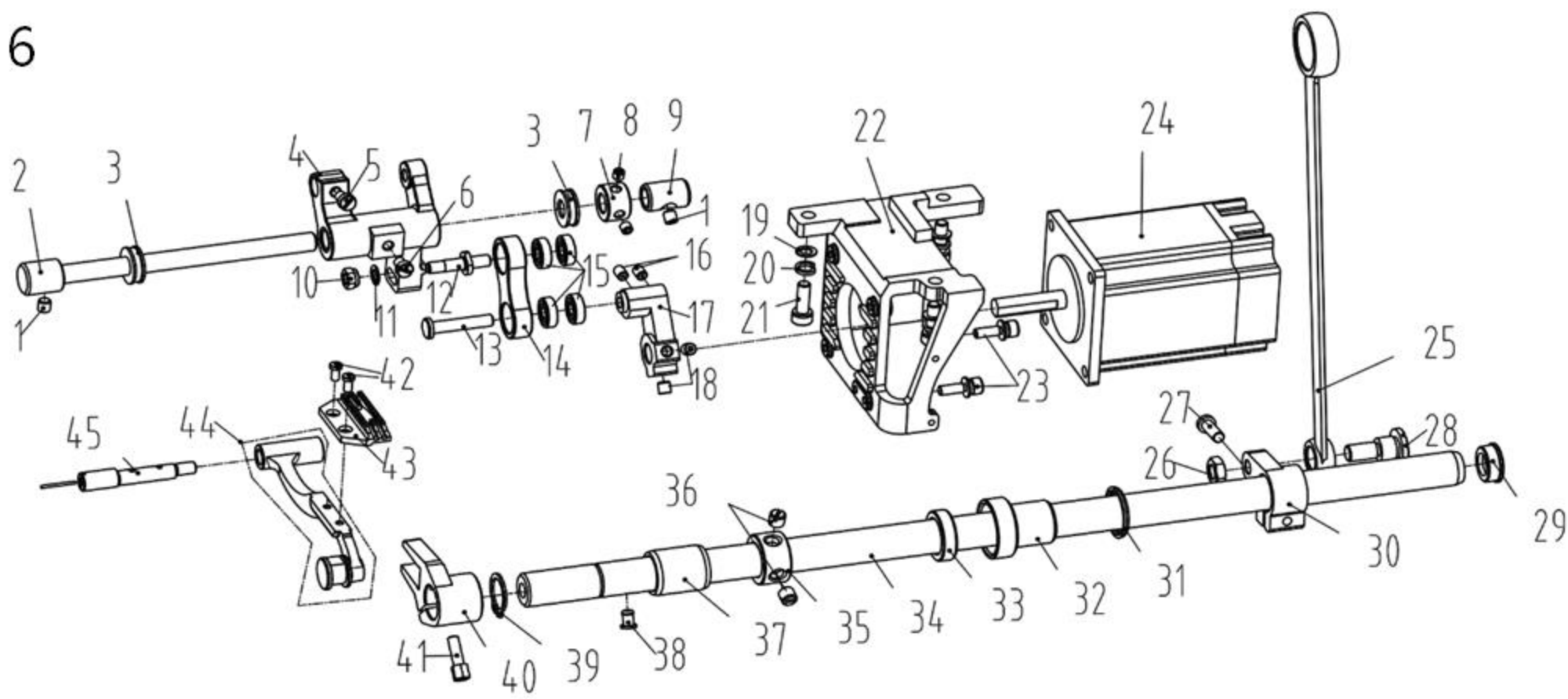
5



5. 切线部件/Thread Trimmer Components

序号NO	公司件号	Part NO	名称	PartName	零件描述	Description	数量	Number
1	14112001		分线片		Needle guard patch		1	
2	125S11020		螺钉SM9/64"×40 L=6		Screw SM9/64"×40 L=5.5		1	
3	14304003		剪线辅曲柄		Crank		1	
4	S10007		螺钉M4 L=4		Screw M4 L=4		1	
5	14304002		切线曲柄		Crank		1	
6	S05004		螺钉M5 L=14		Screw M5 L=14		1	
7	115222001		驱动曲柄止动块		Crank driver stopper block		1	
8	14327001		剪线复位簧		Spring		1	
9	14103003		切线轴套		Thread cutting shaft bushing		1	
10	113S14020		螺钉SM11/64"×40 L=6		Screw SM11/64"×40 L=6		1	
11	11503005		驱动曲柄轴衬套		Crank drive shaft bushing		1	
12	114S17001		螺钉M3 L=8.5		Screw M3 L=8.5		3	
13	14112005		刀架压板		Eccentric connecting rod		1	
14	141S20002		剪线曲柄轴位螺钉SM11/64"×40		Screw		1	
15	113S20001		连杆螺钉SM11/64"×40		Hinge Screw SM11/64"×40		1	
16	14312005		连杆		Connecting rod		1	
17	14307002		剪线刀架		Knife bracket		1	
18	114S16004		螺母SM11/64"×40		Nut SM11/64"×40		1	
19	14119001		活动刀		Motorial knife		1	
20	113S17002		螺钉SM11/64"×40 L=4.4		Screw SM11/64"×40 L=4.4		2	
21	1410700200		剪线辅刀架组件		Knife bracket		1	
22	14119005		辅助动刀(厚料)		Knife (H)		1	
23	113S17002		螺钉SM11/64"×40 L=4.4		Screw SM11/64"×40 L=4.4		1	
24	131S01002		螺钉SM11/64"×40 L=4		Screw SM11/64"×40 L=4		1	
25	14104002		切线凸轮曲柄轴		Crank shaft		1	
26	11322002		扭簧端盖		Spring cover		1	
27	11327002		弹簧		Spring		1	
28	101S14001		螺钉SM1/4"×40 L=6		Screw SM1/4"×40 L=6		1	
29	1400400100		剪线驱动组件		Thread trimmer drive asm.		1	
30	11324001		滚柱		Roolling pin		1	
31	1138NS16007		驱动组件螺母		Nut SM11/64"×40		1	
32	14002004		切线驱动轴		Shaft		1	
33	H05013		GB/T896-1986挡圈6		Snap ring 6		1	
34	10112003		针杆曲柄护板		Cunter weight protecting		1	
35	11322003		电磁铁缓冲片		Solenoid cushion rubber		1	
36	11523001800		剪线电磁铁组件		Thread trimmer solenoid asm.		1	
37	113822005		电磁铁橡胶垫		Washer		1	
38	112S16006		螺母SM1/4"×40		Nut SM1/4"×40		1	
39	1401200200		切线电磁铁支架组件		Bracket		1	
40	11309001		切线电磁铁顶销		Solenoid pin		1	
41	W02018		GB/T93-1987弹簧垫圈 4		Washer		2	
42	N01005		螺母 M4		Nut M4		2	
43	S17002		螺钉M6 L=10		Screw M6 L=10		2	
44	14127003		弹簧		Spring		1	
47	H03015		GB/T894.1 卡簧8		Ring 8		1	
48	116S14005		螺钉SM1/4"×40 L=10		Screw SM1/4"×40 L=10		2	
49	11309030		凸轮顶柱		Push rod		1	
50	114110002		剪线凸轮		Cam		1	
51	14130001		12孔接线器		Plug		1	
52	11230005		电线插针		Pin		2	

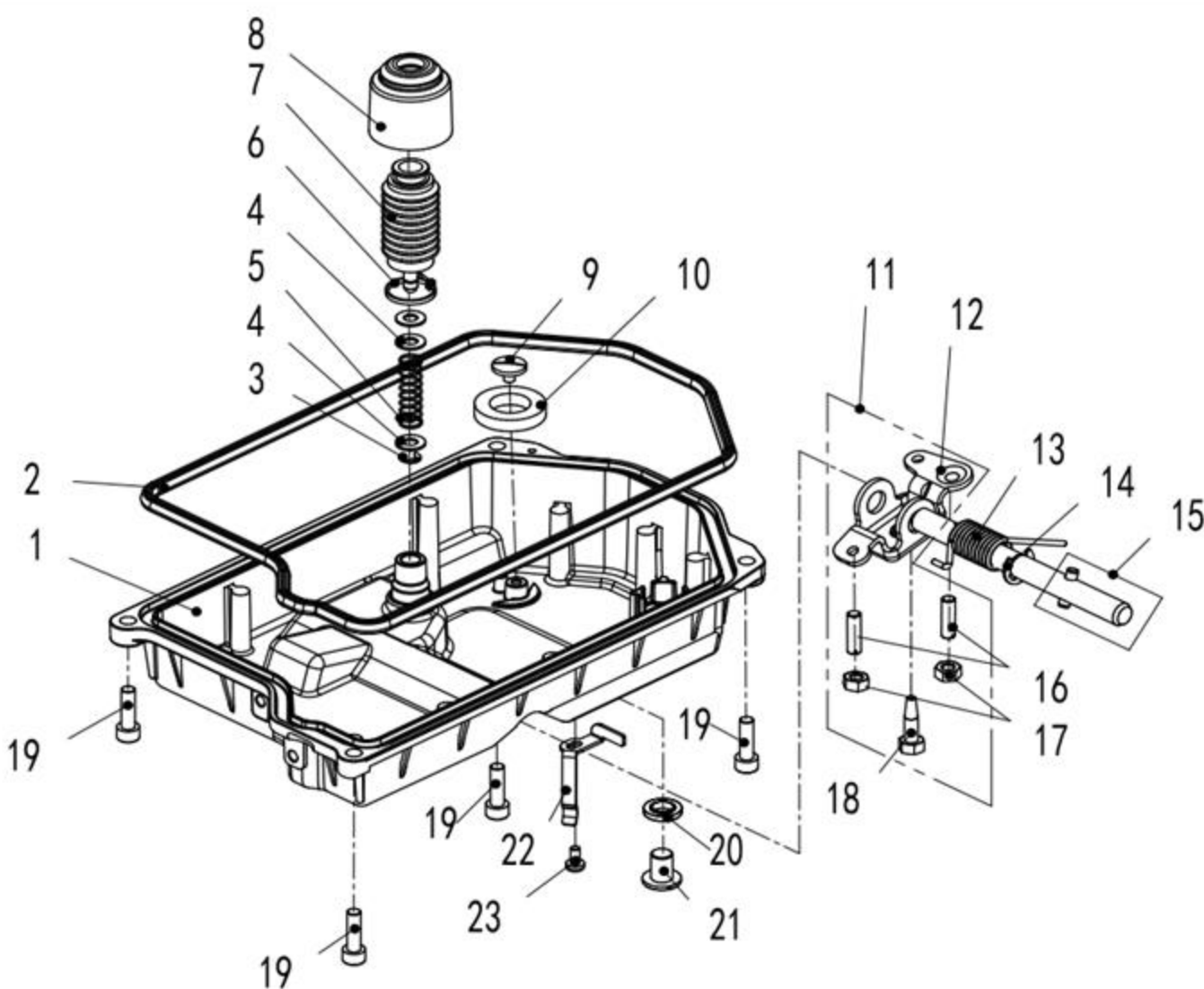
6



6. 送料部件/Feed Mechanism Components

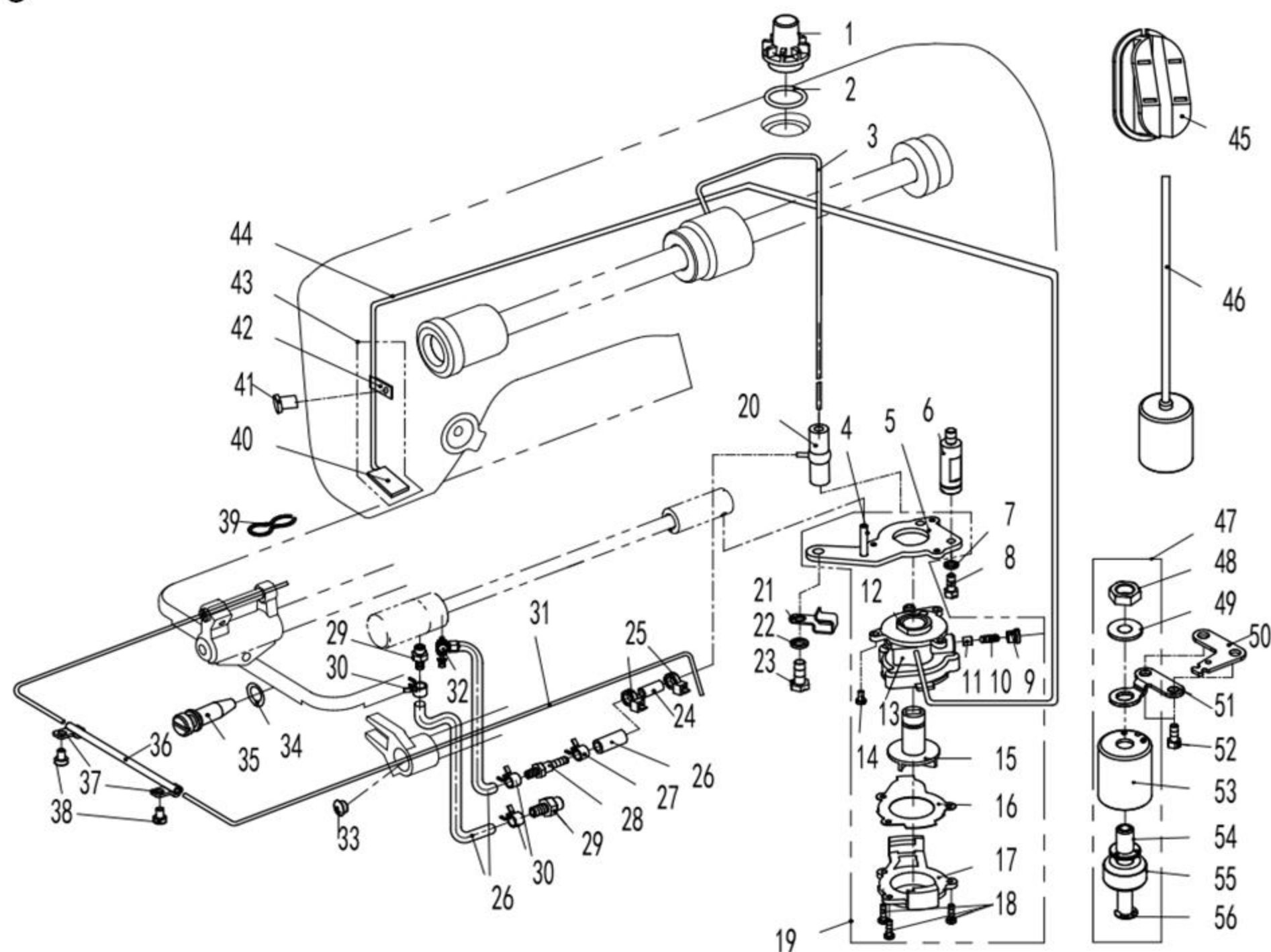
序号NO	公司件号	Part NO	名称	PartName	零件描述	Description	数量	Number
1	S09019		螺钉M5 L=5		Screw M5 L=5			2
2	14302001		送料轴		Feed rocker shaft			1
3	115224001		推力球轴承		Thrust ball bearing			2
4	11520700100		牙架座组件		Bracket assembly			1
5	101S11025		螺钉SM11/64"x40 L=7		Screw SM11/64"x40 L=7			1
6	101S11002		螺钉SM11/64"x40 L=5.5		Screw SM11/64"x40 L=5.5			1
7	14308002		送料轴挡圈		Feed rocker shaft snap ring			1
8	209S14008		螺钉SM11/64"x40 L=4.5		Screw SM11/64"x40 L=4.5			2
9	14303001		送料轴后轴套		Axle sleeve			1
10	407N01001		自锁螺母M5		Nut M5			1
11	30228003		垫圈		Washer			1
12	115226002		送料传动销		Feed drive pin			1
13	14326001		送料曲柄连接销		Feed crank connecting pin			1
14	14305001		送料连杆		Rocker shaft connecting rod			1
15	B04020		GB/278轴承695ZZ		bearing			4
16	201S14002		螺钉SM11/64"x40 L=5		Screw SM11/64"x40 L=5			2
17	14304001		送料曲柄		Feed rocker shaft crank			1
18	S09019		螺钉M5 L=5		Screw M5 L=5			2
19	10128003		牙架座螺钉垫圈		Washer			3
20	W03002		弹簧垫圈 5		Spring washer 5			3
21	114S13001		螺栓(内六角)M5 L=20		Screw M5 L=20			3
22	115201004		电机安装支架		Motor mounting bracket			1
23	417S30034		螺栓(带垫圈)M4x14		Bolt (with washer)M4X14			4
24	115233004		步进电机		Stepper motor			1
25	115405003		抬牙连杆		Connecting rod			1
26	101S16003		抬牙连杆轴位螺母 SM9/32"x28		Hinge Screw SM9/32"x28			1
27	101S11016		螺钉SM3/16"x28 L=14		Screw SM3/16"x28 L=14			1
28	101S20005		抬牙连杆轴位螺钉 SM9/32"x28		Hinge Screw SM9/32"x28			1
29	114022002		橡皮塞15.5		Rubber plug 15.5			1
30	10104004		抬牙后曲柄		Feed driving shaft crank			1
31	114022001		送料轴后轴套密封圈		Rubber sleeve			1
32	14003002		送料轴后轴套		Axle sleeve			1
33	1142200800		油封组件22		Oil seal			1
34	14402007		抬牙轴		Feed driving shaft			1
35	10108003		送料轴挡圈		Feed rocker shaft snap ring			1
36	101S15002		螺钉SM1/4"x40 L=6		Screw SM1/4"x40 L=6			2
37	10403015		轴套		Bushing			1
38	14022008		送料轴油线孔塞		Plug			1
39	H03001		GB/T894.1-1986挡圈 15		Snap ring 15			1
40	113804011		抬牙叉形曲柄		Driving shaft crank			1
41	1138NS30004		螺钉SM11/64"x40 L=10.5		Screw SM11/64"x40 L=10.5			1
42	101S11018		螺钉 SM1/8"x44 L=6		Screw SM1/8"x44 L=6			2
43	115214001		送料牙		Feed dog			1
44	11520700400		牙架组件(-H)		Feed bar asm(-H)			1
45	11226001		牙架销		Feed bar pin			1

7



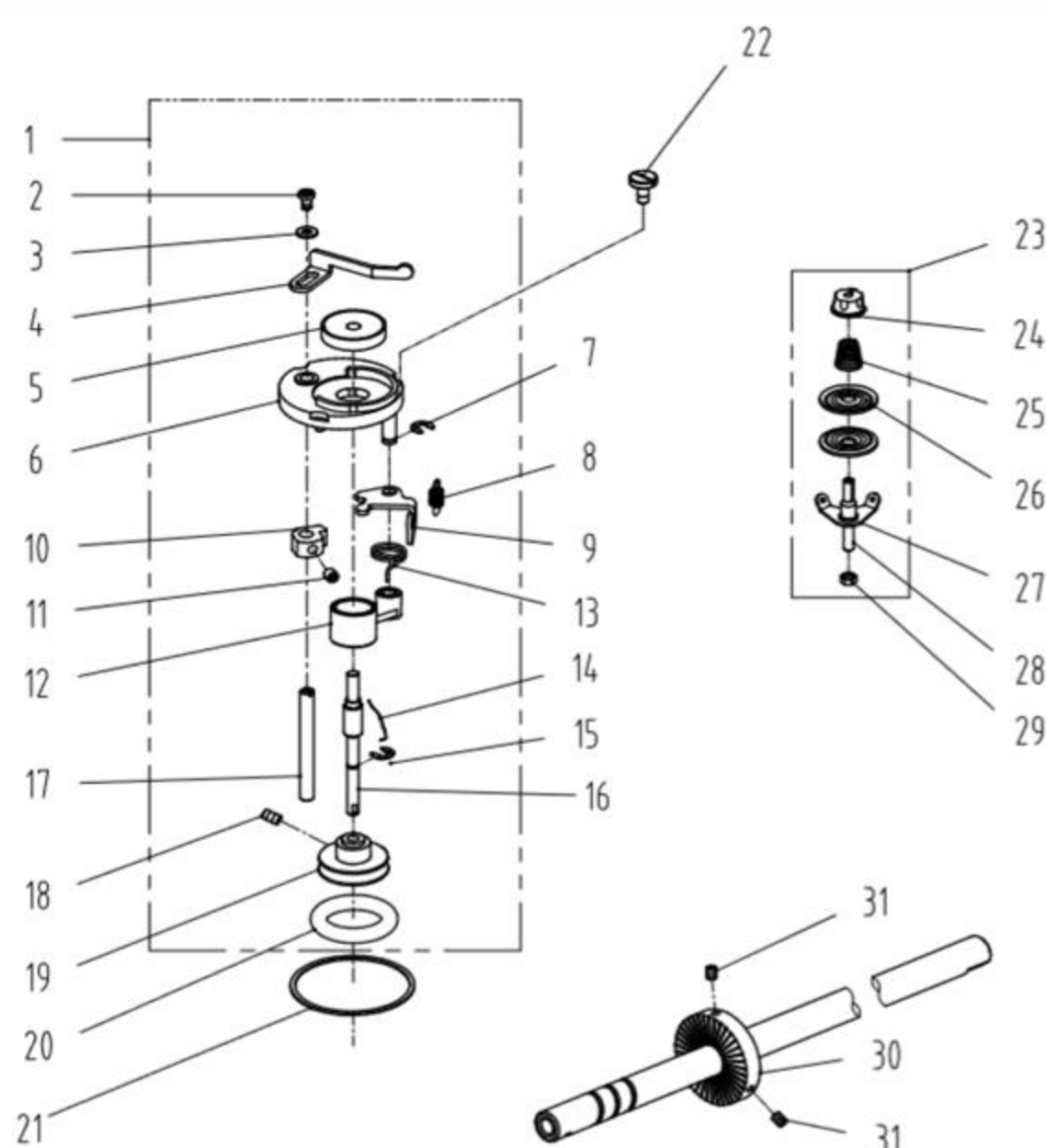
7. 油盘、膝抬压脚部件/Oil Reservoir & Knee Lifter Components

序号NO	公司件号	Part NO	名称	PartName	零件描述	Description	数量	Number
1	115201007		油盘		Oil reservoir			1
2	14022001		油盘密封垫		Seal			1
3	H05012		开口挡圈4(日标)		Snap ring 4			1
4	40128013		垫圈 6.2x13x1		washer 6.2x13x1			2
5	14327002		顶帽弹簧		Knee lifter push rod Spring			1
6	113811004		尼龙扎带		Cable band			1
7	114111012		顶帽组件		Knee lifter push rod			1
8	114122009		顶帽防护帽		Knee lifter push rod hat			1
9	101S11023		螺钉SM3/16"x28 L=6.5		Screw SM3/16"x28 L=6.5			1
10	10131001		油盘磁铁		Oil reservoir magnet			1
11	1401202700		抬压脚双向曲柄组件		Lifting foot bidirectional crank asm.			1
12	10112027		抬压脚双向曲柄		Knee lifter crank			1
13	14027016		双向曲柄扭簧		Knee lifter spring			1
14	H05010		挡圈9		Snap ring 9			1
15	1400200100		抬压脚轴组件		Knee lifter shaft			1
16	S07020		螺钉M6 L=20		Screw M6 L=20			2
19	S05240		螺钉M6 L=20		Screw M6 L=20			4
20	20528014		油盘放油垫圈		Ring			1
21	301S11015		螺钉SM3/8"x28 L=13		Screw SM3/8"x28 L=13			1
22	115212002		后电线压板		Wire clamp			1
23	113S11004		螺钉M4 L=8		Screw M4 L=8			1



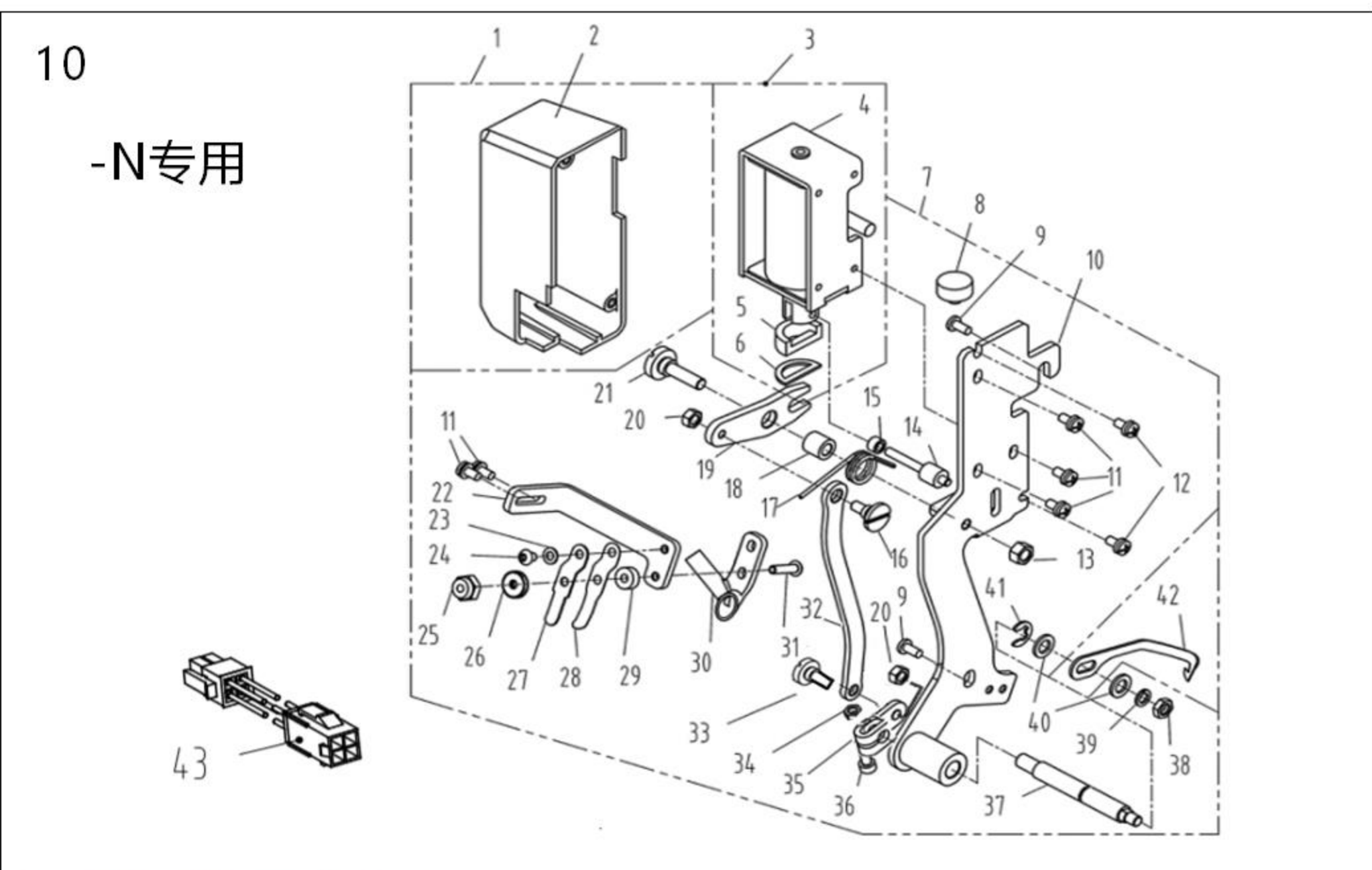
8. 润滑、油量检测部件/Oil Lubrication & Oil Measuring Components

序号NO	公司件号	Part NO	名称	PartName	零件描述	Description	数量	Number
1	11211004		油窗		Oil sight window		1	
2	10122019		油窗O形圈		Rubber ring		1	
3	14121001		上轴供油管		Main shaft oil tube		1	
4	10121001		下轴供油管		Hook driving shaft oil tube		1	
5	10112020		油泵安装板		Oil pump installing base		1	
6	101S30008		油泵连接螺柱		Oil pump connecting stud		1	
7	W03002		弹垫		Spring washer		1	
8	209S12001		螺钉SM11/64"×40 L=10.5		Screw SM11/64"×40 L=10.5		1	
9	101S30007		螺钉M7X0.75 L=5		Screw M7X0.75 L=5		1	
10	10127013		柱塞簧		Plunger spring		1	
11	10122018		回油柱塞		Plunger		1	
12	10103022		油泵体衬套		Oil pump bushing		1	
13	10120001		油泵体		Oil pump		1	
14	S04093		螺钉M3 L=6		Screw M3 L=6		3	
15	10111003		油泵叶轮		Oil pump impeller		1	
16	10112021		油泵叶轮托板		Oil pump impeller cover		1	
17	10111007		油泵盖		Lubricating oil pump cover		1	
18	101S30006		螺钉ST2.9 L=10		Screw ST2.9 L=10		3	
19	1012000100		油泵组件		Lubricating oil pump component		1	
20	10136001		供油管接头		Rubber joint		1	
21	14112007		过线勾		Thread hook		1	
22	W02004		GB/T93-1987弹垫M6		Spring Washer M6		1	
23	116S30003		螺钉SM15/64"×28 L=14.5		Screw SM15/64"×28 L=14.5		1	
24	14021003		铝油管		Aluminum tubing		1	
25	113811004		尼龙扎带		Cable band		2	
26	14021001		PVC油管		Tubing		0.48mm	
27	30129007		油管卡簧		Oil pipe clamp spring		1	
28	14036004		油盘油嘴		Oil nozzle		1	
29	14036002		回油嘴		Oil nozzle		2	
30	20429001		油管卡簧		Oil pipe clamp spring		3	
31	10123010		油线		Oil wick		1.5	
32	115036001		油量调节接头		Oil volume regulating connector		1	
33	14022003		送料轴前孔塞		Spout plug		1	
34	14022011		O型圈		Rubber ring		1	
35	140S30001		油量调节螺钉		Oil volume adjusting screw		1	
36	115221001		铝油管		Aluminum tubing		1	
37	115212004		铝油管压板		Aluminum tubing pressing plate		2	
38	S04010		螺钉M4 L=5.5		ScrewM4 L=5.5		2	
39	10127015		回油毡夹		Oil felt clamp		1	
40	10123006		回油毡		Oil felt felt		1	
41	101S11004		螺钉SM3/16"×28 L=7		Screw SM3/16"×28 L=7		1	
42	10112023		回油管夹		Oil tube clamp		1	
43	10121007		回油管组件		Oil return tube component		1	
44	10121008		回油管		Oil return tube		1	
45	13811015		油窗		Oil window		1	
46	11412200200		油标组件		Buoy		1	
47	11523000400		油量检测装置组件		Oil measuring device		1	
48	140S16001		螺母		Nut		1	
49	14028001		弹性垫圈		Washer		1	
50	13812081		拉簧固定板		Spring fixing plate		1	
51	14012006		油量检测装置固定板		Pull spring fixing plate		1	
52	101S11026		螺钉SM15/64"×28 L=9		Screw SM15/64"×28 L=9		2	
53	14011004		油量检测罩壳		Shell		1	
54	14002005		导向支柱		Guide pillar		1	
55	11493000700-02		浮子		Float		1	
56	H05040		开口挡圈6		Ring 6		1	



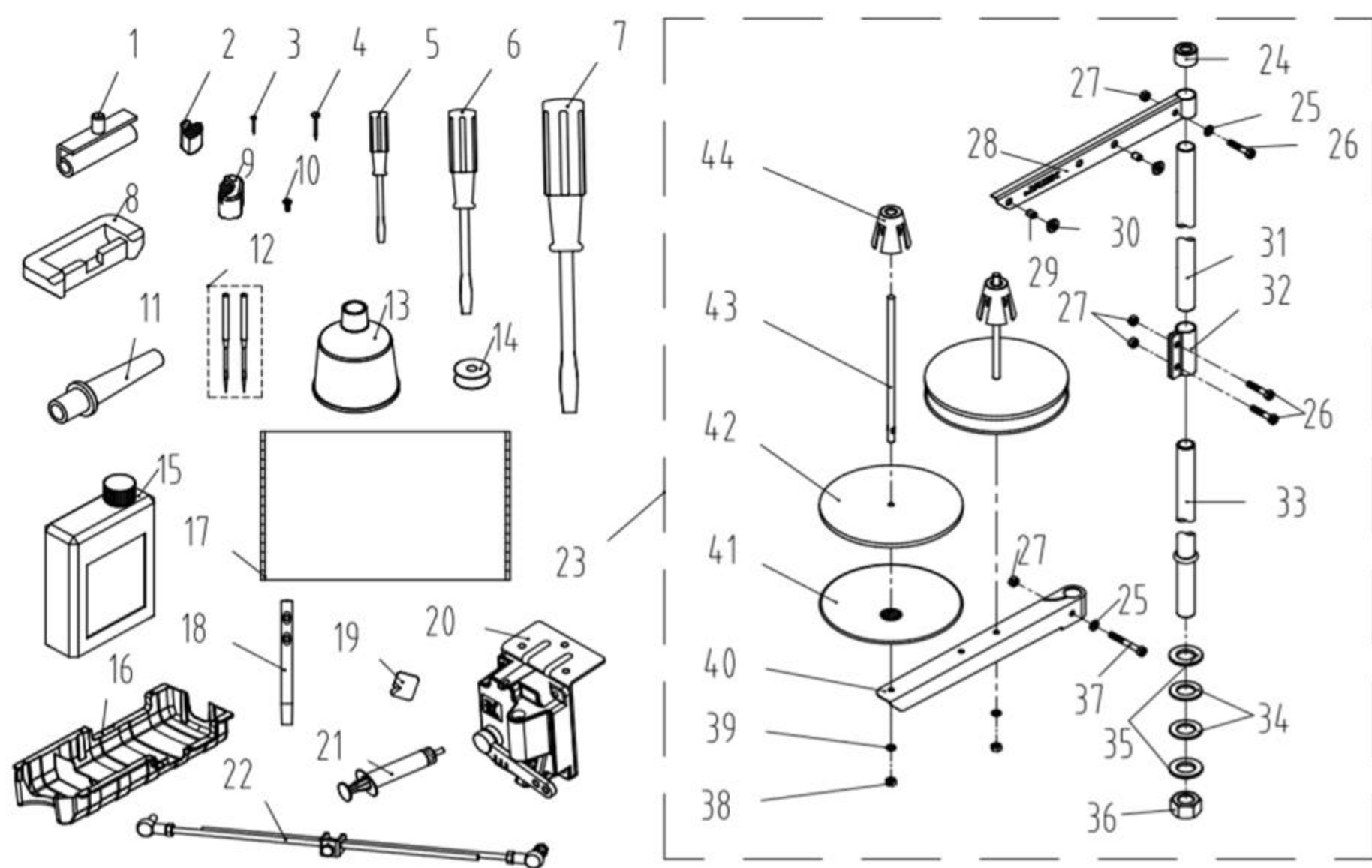
9. 绕线部件/ Bobbin Components

序号NO	公司件号 Part NO	名称 PartName	零件描述 Description	数量 Number
1	1383103900	绕线器组件	Bobbin winder asm	1
2	114S11008	螺钉M4 L=6	Screw M4 L=6	1
3	W01142	垫圈4	Washer 4	1
4	10113030	压线控制板	Thread press control plate	1
5	10111120	绕线衬垫	Winding pad	1
6	13831101	绕线器装置主座	Bobbin winder bed	1
7	H05006	开口挡圈5	Snap ring 5	1
8	10127061	复位板拉簧	Spring	1
9	13812110	调节板	Regulating plate	1
10	10110030	绕线凸轮	Bobbin winder cam	1
11	S09045	螺钉M5 L=5	Screw M5 L=5	1
12	1380510600	绕线器连杆组件	Bobbin winder connecting rod	1
13	13827103	满线复位簧	spring	1
14	10127060	弹簧	Spring	1
15	GB/T 896-1986	开口挡圈4	Snap ring 4	1
16	13802111	绕线器主轴	Bobbin winder mian shaft	1
17	13802026	绕线凸轮轴	Bobbin winder cam shaft	1
18	S09103	绕线轮螺钉M4 L=4	Screw M4 L=4	2
19	13831102	绕线轮	Bobbin winder wheel	1
20	O01110	O型圈	Ring	1
21	11422062	密封垫	Washer	1
22	114S11003	螺钉SM3/16"×28 L=10	Screw SM3/16"×28 L=10	3
23	1411300600	底线夹线器	Bobbin thread tension asm	1
24	141S16019	夹线螺母	Thread tension nut	1
25	11427006	小夹线弹簧	Spring	1
26	14112015	夹线板	Thread tension disk	2
27	11413022	夹线过线板	Thread tension guide plate	1
28	112S13004	夹线螺钉	Screw	1
29	114S16001	螺母SM11/64"×40	Nut SM11/64"×40	1
30	11435013	绕线器驱动轮	Driving wheel	1
31	S10009	螺钉M6 L=8	Screw M6 L=8	2



10. 少鸟巢装置/ No Bird's Nest Components

序号 NO	公司件号 Part NO	名称 PartName	零件描述 Description	数量 Number
1	11503005500	勾线装置组件	Wire laying device asm	1
2	14411003	罩壳	Shell	1
3	11503004300	拨线电磁铁组件	Dial the line electromagnet	1
4	/	拨线电磁铁	Dial the line electromagnet	1
5	14022026	橡皮垫	Rubber mat	1
6	14028020	缓冲垫片	Buffer gasket	1
7	1401200400	勾线支架组件 (含吸嘴)	Hook bracket asm (including suction)	1
8	14022027	橡皮垫块	Rubber pad	1
9	101S11001	后窗板螺钉SM3/16"×28 L=9	After throwing a screw	2
10	1401200700	拨线电磁铁支架组件	Dial the line electromagnet stent	1
11	S15010	螺钉组合件M3 L=6	Screw asm M3 L=6	5
12	S15011	螺钉组合件M3 L=8	Screw asm M3 L=8	2
13	140S16008	拨线传动板轴位螺母	Dial the line shaft drive plate a nut	1
14	14026004	拨线传动销	Dial the line drive pin	1
15	14008001	滑动衬套	The sliding sleeve	1
16	140S20021	拨线连杆轴位螺钉	Dial the line connecting rod shaft screw	1
17	14027020	复位弹簧	Reset spring	1
18	14003008	复位衬套	Reset the bushing	1
19	14012024	拨线传动板	Dial the line drive board	1
20	140S16007	拨线连杆轴位螺母	Dial the line connecting rod shaft nut	2
21	140S20020	拨线传动板轴位螺钉	Dial the line drive board shaft screw	1
22	14012021	压片支架	Tablet bracket	1
23	W01099	平垫圈3	Wwasher 3	2
24	S17885	螺钉M3 L=6	Screw M3 L=6	1
25	N08004	螺母M3	Nut M3	1
26	N06013	滚花螺母3	Knurl nut M3	1
27	14013011	压片	Tablet	1
28	14013010	滑压片	Sliding tablet	1
29	14022025	橡胶圈	Rubber ring	1
30	14011005	吸嘴	Suction nozzle	1
31	S17886	螺钉M3 L=16	Screw M3 L=16	1
32	14012020	拨线连杆	Dial the line connecting rod	1
33	1141NS20002	拨线连杆轴位螺钉	Dial the line connecting rod shaft	1
34	N01050	螺母M3	Nut M3	1
35	14012023	拨线驱动连杆	Line drive connecting rod	1
36	S05973	螺钉M3 L=14	Screw M3 L=14	1
37	14002008	拨线驱动轴	Line drive shaft	1
38	N01110	螺母M4	Nut M8	1
39	W02018	弹簧垫圈4×0.8	Spring washer 4×0.8	1
40	W01098	垫圈5×1	Washer 5×1	2
41	11329020	开口挡圈5	Open ring	1
42	14013009	线勾	Wire hook	1
43	115011009	吸风装置转接线	Suction device adapter	1



11. 机头附件/Machine Head Accessories

序号 NO	公司件号	Part NO	名称	PartName	零件描述	Description	数量	Number
1	1011203100		机头连接钩部件		Hinge component		2	
2	14022022		机头座垫		Die cushion		2	
3	101S30010		机头连接钩座钉P19		Nail P19		2	
4	1141NS30001		机头连接钩座钉P25		Nail P25		4	
5	10131004		螺丝刀(小)		Screw driver,small		1	
6	10131003		螺丝刀(中)		Screw driver,medium		1	
7	20731047		螺丝刀(大)		Screw driver,large		1	
8	10122060		机头连接钩座		Head connecting rubber cushion		2	
9	14022023		机头支架		Nose support		2	
10	101S30014		螺钉M4 L=20		Wood screw M4 L=20		6	
11	115011003		机头支柱		Machine head rest pin		1	
12	11217001		机针DB×11#(日本风琴)		Needle		4	
	10117002		机针DP×5#21(厚料)		Needle(H)		4	
13	20131039		漏斗		Funnel		1	
14	10118003		梭芯		Bobbin		1	
15	1381101200		油壶组件		Oiler component		1	
16	115211002		油盘托盘		Disk tray		1	
17	114131001		防尘罩		Dust cover		1	
18	11212001		过线柱		Crossing post		1	
19	14019001		压脚刀片(-N专用)		Presser foot blade (-N)		1	
20	10130044		塑壳调速器(平缝A2)		Moulded case governor (flat seam A2)		1	
21	113831011		注射器(含黄油)		Injector (Grease)		1	
22	20730335		拉杆		pull rod		1	
23	1383100300		线架组件		Thread stand asm.		1	
24	20131019		线架杆顶防护橡皮		Spool rest rod rubber cap		1	
25	W01047		平垫圈5		Washer 5		2	
26	S04050		螺栓M5 L=16		Screw M5 L=16		1	
27	N01034		螺母M5		Nut M5		4	
28	13831022		上线架过线杆		Spool rest arm upper		1	
29	10113011		过线圈(内)		Thread guide ring		2	
30	10113010		过线圈(外)		Thread guide ring		2	
31	13831019		线架杆上节		Spool rest rod upper		1	
32	13831021		线架杆接头		Spool rest rod joint		1	
33	13831020		线架杆下节		Spool rest rod lower		1	
34	10122106		橡胶垫圈		Spool rest rod rubber ring		2	
35	W01052		平垫圈16		Washer 16		2	
36	N02004		螺母M16×1.5		Nut M16×1.5		1	
37	S04051		螺栓M5 L=31.5		Screw M5 L=31.5		1	
38	N01034		螺母M5		Nut M5		2	
39	W03002		弹簧垫圈5		Spring washer 5		2	
40	13831023		下线架过线杆		Spool rest arm lower		1	
41	13831024		线盘		Spool rest		2	
42	20131010		线盘垫		Spool rest cushion		2	
43	20131006		线托棒		Spool pin		2	
44	13831025		线团防松垫		Spool retainer		2	

杰克科技股份有限公司

杰克缝纫机
全球销量遥遥领先

公司地址(Address of Company):
中国浙江省台州市椒江区三甲东海大道东段1008号
NO.1008, DONGHAI AVENUE EAST, JIAOJIANG DISTRICT,TAIZHOU CITY, ZHEJIANG

邮编(Zip Code): 318000

国内销售部(Domestic Trade Department):

电话(TEL): 0086-0576-88177788 88177789

传真(FAX): 0086-0576-88177758

国贸销售部(International Trade Department):

电话(TEL): 0086-0576-88177782 88177774

传真(FAX): 0086-0576-88177787

服务热线: 400-8876858

<http://www.chinajack.com>

资料如有更改, 恕不另行通知, 以实物为准。

You will be not informed if the file has been revised.Please set sample as standard.

日期: 2022.09.08



请您扫下杰克服务号