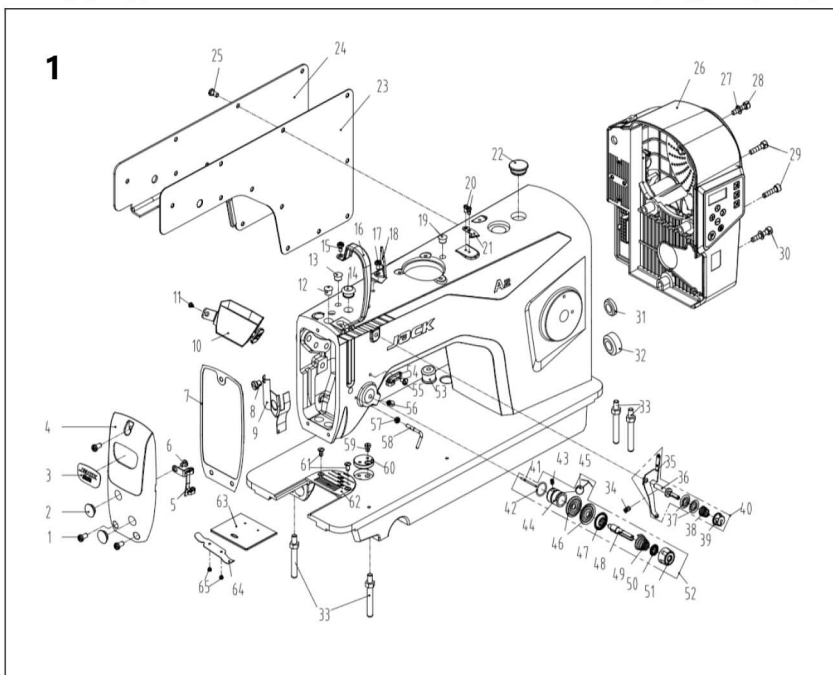


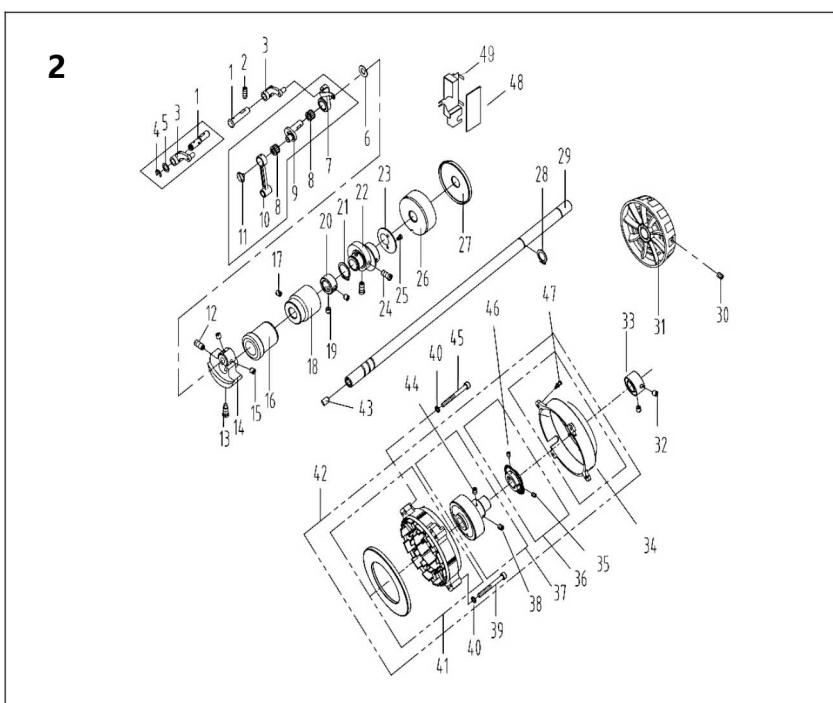
A2系列 A2 Series

零件手册 Parts Manual



1. 机壳、外装分组件/Machine Frame & Miscellaneous Cover Components

序号 NO	公司件号 Part NO	零件描述 Description	数量 Number	序号 NO	公司件号 Part NO	零件描述 Description	数量 Number
1	101S11001	Screw SM3/16"×28 L=9	3	36	13810008	Thread tension post	1
2	10122003	Rubber plug	2	37	11212004	Thread tension disk	2
3	13837002	Head card	1	38	11227001	Thread tension spring	1
4	110212002	Face plate	1	39	138516019	Thread tension nut	1
5	13813005	Thread guide left	1	40	1381300400	Thread tension asm.	1
6	101S11007	Screw SM11/64"×40 L=6	1	41	10126030	Thread release pin	1
7	115022005	Face plate gasket	1	42	10122014	Rubber ring	1
8	101S11027	Screw SM1/8"×44 L=3.4	1	43	101S15005	Screw SM9/64"×40 L=5.5	1
9	11412082	Face oil shield asm (H)	1	44	10103011	Thread tension base	1
10	11023000900	LED asm	1	45	10127001	Thread take-up spring	1
11	101S11001	Screw SM3/16"×28 L=9	1	46	10127031	Thread take-up spring (H)	1
12	10122013	Rubber plug	1	47	10112005	Thread tension disk	2
13	10122005	Rubber plug	1	48	10112006	Disk stopper	1
14	10122004	Rubber plug	1	49	101S30002	Thread tension post	1
15	101S11004	Screw SM3/16"×28 L=7	1	50	10127002	Thread tension spring	1
16	13812018	Thread take-up lever cover	1	51	11427050	Thread tension spring (H)	1
17	101S11004	Screw SM3/16"×28 L=7	1	52	10112007	Thread disk rotating stopper	1
18	13512004	3-hole thread guide	1	53	138516013	Thread tension nut	1
19	10122005	Rubber plug	1	54	1381300500	Thread tension asm	1
20	114S11015	Screw SM9/64"×40 L=6	2	55	1381300700	Thread tension asm (H)	1
21	11419001	Knife	1	56	10122110	Rubber plug (one-hole)	1
22	20722002	Rubber plug	1	57	10113004	Thread guide right	1
23	115022004	Side plate gasket	1	58	101S11007	Screw SM11/64"×40 L=6	1
24	110212003	Side plate	1	59	101S15010	Screw SM15/64"×28 L=10.5	1
25	101S11001	Screw SM3/16"×28 L=9	11	60	401S16001	Nut SM9/64"×40	1
26	11023000800	Electronic control box	1	61	11413011	Thread guide	1
27	W01009	Wsher 5	2	62	101S11002	Screw SM11/64"×40 L=5.5	1
28	114S13001	Screw M5 L=20	2	63	13812019	Ruler stop seat	1
29	114S30001	Screw M5 L=25	3	64	104S17002	Screw SM11/64"×40 L=6.5	2
30	114S30018	Screw M5 L=37	1	65	11414006	Needle plate	1
31	10122006	Rubber plug	1		11315001	Needle plate (H)	1
32	10122007	Rubber plug	1		10115002	Slide plate	1
33	101S12001	Machine head stud	4		10127009	Slide plate spring	1
34	138S08006	Screw SM3/16"×28 L=7	1		101S11019	Screw SM3/32"×56 L=2	2
35	13812066	Thread tension guide plate	1				

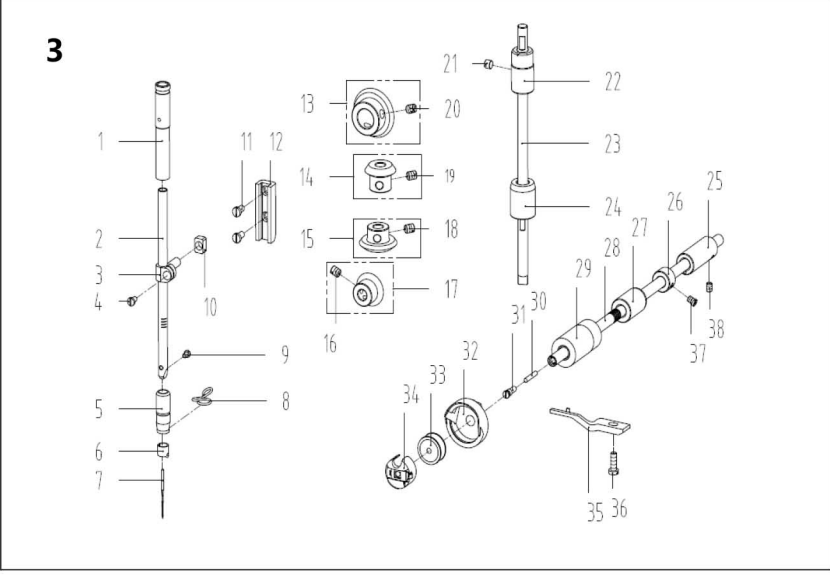


2. 上轴挑线分组件/Main Shaft & Thread Take-up Components

序号 NO	公司件号 Part NO	零件描述 Description	数量 Number	序号 NO	公司件号 Part NO	零件描述 Description	数量 Number
1	11326013	Thread take-up connecting rod pin	1	19	101S14001	Screw SM 1/4"×40 L=6	2
2	10126001	Thread take-up connecting rod pin	1	20	10108001	Main shaft thrust collar	1
3	101S15001	Screw SM15/64"×28 L=15	1	21	H03002	Snap ring 20	1
4	10105001	Thread take-up connecting rod (H)	1	22	11310014	Feed eccentric cam	1
5	11305010	Thread take-up connecting rod	1		400006	Feed eccentric cam (H-M)	1
6	H05013	Snap ring 6	1		400006	Feed eccentric cam (H)	1
7	11328010	washer	1	23	10112017	Cover plate	1
8	10112003	Needle bar crank protecting plate	1	24	101S11013	Screw SM1/4"×40 L=13	2
9	1013800100	Thread take-up lever asm	1	25	113S11003	Screw SM9/64"×40 L=5	2
10	1133800200	Thread take-up lever asm (H)	1	26	10103026	The rear axle sleeve	1
11	10124001	Needle bearing	2	27	10122105	Oil seal	1
12	11310012	Thread take-up crank	1	28	H03001	Snap ring 15	1
13	11310010	Thread take-up crank (H-M)	1	29	10202002	Main shaft	1
14	1011000400	Thread take-up crank (H)	1	30	S10009	Screw M6 L=8	2
15	10105002	Needle bar connecting rod	1	31	113835001	Handwheel	1
16	101S17001	Screw SM9/64×40 (left hand) L=4.8	1	32	S10013	Screw M6 L=6	2
17	101S15004	Screw SM9/32"×28 L=16	1	33	10208001	Motor dust cover	1
18	101S11003	Screw SM9/32"×28 L=16	1	34	95100220	Motor cover asm	1
19	10404001	Needle bar crank	1	35	S09022	Screw M3 L=4	2
20	11404035	Needle bar crank (H)	1	36	95100116	Motor grating sensor asm	1
21	101S15002	Screw SM1/4"×40 L=6	2	37	95300004	Motor rotor	1
22	1010300400	Main shaft bushing front	1	38	S09113	Screw M6 L=6	2
23	101S15006	Screw SM15/64"×28 L=7	1	39	951S15010	Screw M5 L=20	1
24	12203002	Main shaft bushing mid	1	40	W03002	Washer 5	3

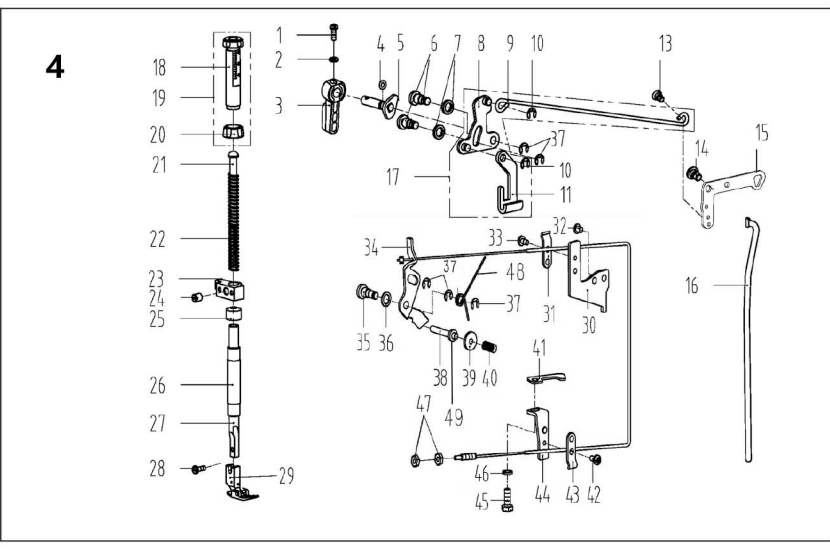
2. 上轴挑线分组件/Main Shaft & Thread Take-up Components

序号 NO	公司件号 Part NO	零件描述 Description	数量 Number	序号 NO	公司件号 Part NO	零件描述 Description	数量 Number
41	95300005	Motor stator	1	46	S09022	Screw M3 L=4	1
42	10233034	Motor	1	47	951515016	Screw asm M4 L=28	4
43	10122012	Rubber plug	1	48	14112004	Oil shield	1
44	S09113	Screw M6 L=6	1	49	14123001	Oil cotton	1
45	951515010	Screw M5 L=20	2				



3. 针杆、竖轴、下轴部件/Needle bar & Upright Shaft & Hook Driving Shaft Components

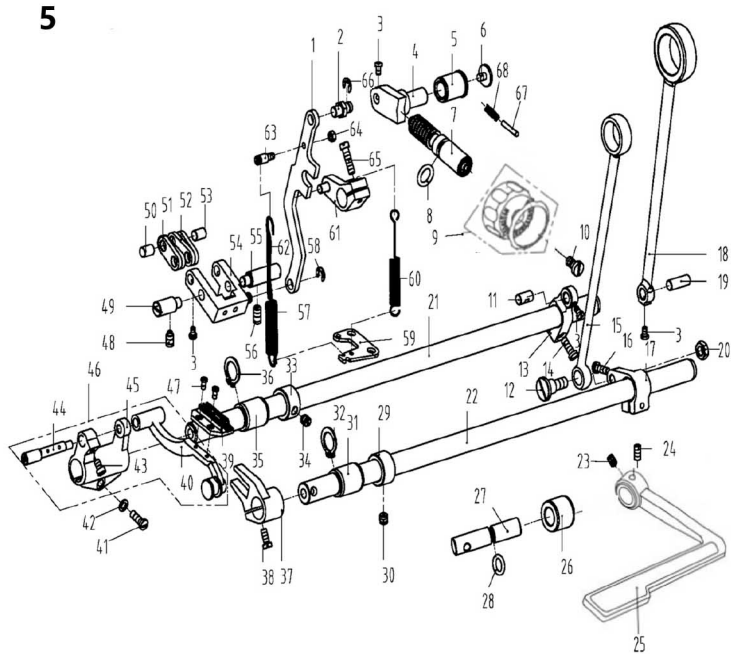
序号 NO	公司件号 Part NO	零件描述 Description	数量 Number	序号 NO	公司件号 Part NO	零件描述 Description	数量 Number
1	10103009	Needle bar bushing upper	1	19	101515007	Screw SM1/4"x40 L=7	2
2	10102002	Needle bar	1	20	101515007	Screw SM1/4"x40 L=7	2
	10102021	Needle bar (H)	1	21	113511036	Screw SM15/64"x28 L=4.7	1
3	10138002	Needle bar connecting rod	1	22	113803012	Upright shaft bushing upper	1
4	101511005	Screw SM9/64"x40 L=6	1	23	10102007	Upright shaft	1
	10103010	Needle bar bushing lower	1	24	10403013	Upright shaft bushing lower	1
5	10103023	Needle bar bushing lower (H)	1	25	113803014	Hook driving shaft bushing back	1
	10113002	Needle bar thread guide	1	26	10108002	Hook driving shaft snap ring	1
6	11412063	Needle bar thread guide (H)	1	27	11303021	Lower shaft middle bushing	1
	10117001	Needle DBx1#14	1	28	13802303	Hook driving shaft	1
7	10117002	Needle DPx5#21 (H)	1	29	13803320	Hook driving shaft bushing front	1
	10413001	Lower bushing thread guide	1	30	11303001	Hook driving shaft bushing front (H)	1
8	10113009	Lower bushing thread guide (H)	1	31	101530005	set screw	1
9	104511006	Screw SM1/8"x44 L=4.5	1	32	11418007	Hook asm	1
10	10109001	Slide block	1		11418002	Hook asm (H)	1
11	101511008	Screw SM11/64"x40 L=8	2	33	10118003	Bobbin	1
12	10109002	Needle bar guide	1	34	11218504	Bobbin case asm	1
13	10425004	Upper shaft bevel gear	1	35	10112016	Finger postioner	1
14	10425003	Upper small bevel gear asm	1		10112032	Finger postioner (H)	1
15	10425002	lower large bevel gear asm	1	36	116511005	Screw SM11/64"x40 L=13	1
16	101515007	Screw SM1/4"x40 L=7	2	37	101511012	Screw SM11/64"x40 L=4.8	2
17	10425001	Hook drive shaft bevel gear	1	38	113514020	Screw SM11/64"x40 L=7	1
18	101515007	Screw SM1/4"x40 L=7	2				



4. 压料、自动抬压脚分组件/Presser Bar & Auto Lifter Components

序号 NO	公司件号 Part NO	零件描述 Description	数量 Number	序号 NO	公司件号 Part NO	零件描述 Description	数量 Number
1	101511010	Screw SM9/64"x40 L=11	1	25	10122112	Pressure bar oil cover	1
2	10128002	Washer	1	26	10103012	Presser bar bushing	1
3	13811029	Hand lifter	1	27	10102004	Presser bar	1
4	O01004	Rubber ring	1	28	101511009	Screw SM9/64"x40 L=10.5	1
5	1011000200	Hand lifter cam asm	1	29	1131600600	Presser foot asm	1
6	101520001	Screw	2		1131600100	Presser foot asm(H)	1
7	10128015	Washer	2	30	11212009	Wire release bracket upper	1
8	1011200100	Lift front lever component	1	31	11212008	Wire release press plate	1
9	10112013	Knee lifter pull rod	1	32	101511004	Screw SM3/16"x28 L=7	1
10	H05003	Snap ring 5	2	33	113511004	Screw M4 L=8	1
11	10112010	Lifting plate	1	34	1141206000	Wire release plate asm	1
13	101520004	Hinge Screw SM3/16"x32	1	35	101520002	Wire release plate pin	1
14	101520003	Hinge screw SM15/64"x28	1	36	10128015	Washer	1
15	10112014	Knee lifter back lever	1	37	11329020	Snap ring 5	5
16	10112015	Knee lifter connecting rod	1	38	10126003	Thread release supporting pin	1
17	1011200200	Knee lifter lever asm	1	39	10128001	washer	1
18	113811018	Press regulating screw	1	40	10127003	Spring	1
	1138NS30003	Press regulating screw (H)	1	41	10112022	Tube press plate	1
19	11381101800	Presser regulating screw nut asm	1	42	113511004	Screw M4 L=8	1
	13811028	Press regulating nut	1	43	11212008	Wire presser	1
20	1138NS16005	Press regulating nut (H)	1	44	11312001	Wire release bracket lower	1
	10102003	Press regulating guide bar	1	45	116530003	Screw SM15/64"x28 L=14.5	1
21	113827010	Press regulating spring	1	46	W02004	Spring washer	1
22	10127024	Press regulating spring (H)	1	47	113512001	Nut M5	2
23	13809030	Presser bar guide bracket	1	48	11427009	Reset spring	1
24	101515007	Screw SM1/4"x40 L=8	1	49	H05012	Snap ring	1

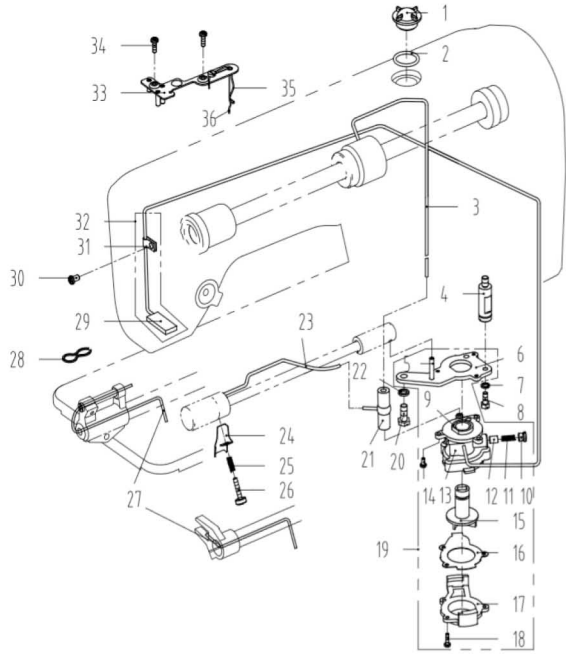
5



5. 送料分组件/Feed Mechanism Components

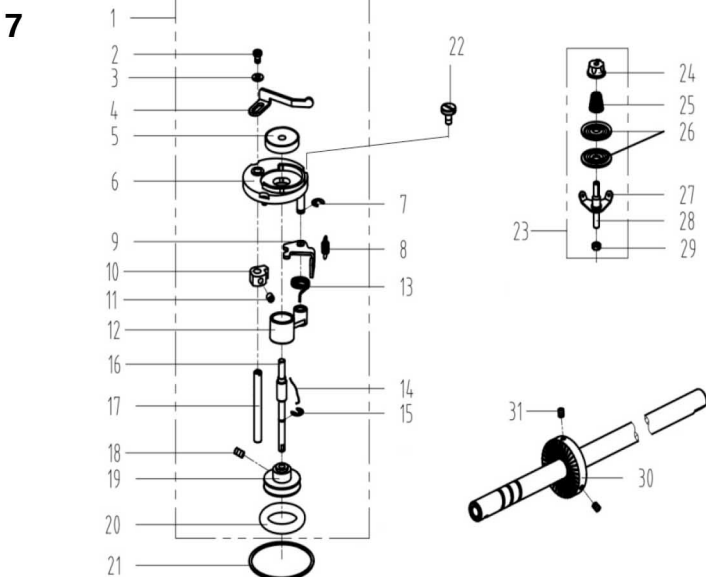
序号 NO	公司件号 Part NO	零件描述 Description	数量 Number	序号 NO	公司件号 Part NO	零件描述 Description	数量 Number
1	10105007	Reverse feed connecting rod	1	34	101S15002	Screw SM1/4"x40 L=6	2
2	11426021	Connecting rod pin	1	35	10403015	Bushing	2
	11326011	Connecting rod pin (-7)	1	36	H03001	Snap ring 15	1
3	101S11005	Screw SM9/64"x40 L=6	6	37	10104007	Driving shaft crank	1
4	10101053	Feed regulator	1	38	116S11005	Screw SM11/64"x40 L=13	1
5	10403017	Feed regulator bushing	1	39	11414002	Feed dog	1
6	101S11023	Screw SM3/16"x28 L=6.5	1		11314001	Feed dog (H)	1
7	10126045	Feed regulator stud	1	40	470060	Feed bar asm.	1
8	10122016	Rubber ring	1	41	101S11016	Screw SM3/16"x28 L=14	1
9	1011107000	Knob component	1	42	10128003	Washer	1
	1011107100	Knob component (-7)	1	43	101S11025	Screw SM11/64"x40 L=7	1
10	101S11022	Screw SM3/16"x28 L=18	1	44	10401007	Feed bar pin	1
11	10126011	Feed rocker crank pin	1	45	480095	Feed bar bed	1
12	101S20005	hinge Screw SM9/32"x28	1	46	11380700300	Feed bar sam	1
13	10104002	Feed rocker shaft crank	1	47	101S11018	Screw SM1/8"x44 L=6	2
	11304010	Feed rocker shaft crank (-7)	1	48	113S14019	Screw SM15/64"x28 L=10.5	1
14	101S11016	Screw SM3/16"x28 L=14	1	49	10126009	Left pin	1
15	400093	Connecting rod	1	50	10126007	Connecting pin	1
16	101S11016	Screw SM3/16"x28 L=14	1	51	10109005	Feed short shaking plate	2
17	10104004	Feed driving shaft crank	1	52	10109004	Feed long shaking plate	2
	400091	Rocker shaft connecting rod	1	53	10126007	Connecting pin	1
18	400083	Rocker shaft connecting rod (-7)	1	54	1010100200	Feed shaking plate bed	1
	10126006	Connecting rod pin	1	55	10126010	Component right pin	1
19	11326011	Connecting rod pin (-7)	1	56	101S15010	Screw SM15/64"x28 L=10.5	1
	101S16003	Hinge Screw SM9/32"x28	1	57	11427011	Spring	1
21	10102008	Feed rocker shaft	1	58	11329020	Snap ring 5	1
22	11202001	Feed driving shaft	1	59	13812081	Pull spring fixing plate	1
23	101S15006	Screw SM15/64"x28 L=7	1	60	10127011	Reverse feed pull spring	1
24	101S15013	Screw SM15/64"x28 L=10	1	61	1140402700	Feed reverse crank asm	1
25	10131086	Reverse feed lever	1		1130402800	Feed reverse crank asm (-7)	1
26	10103024	Reverse feed shaft bushing back	1	62	11321005	Tube	1
27	10102023	Reverse feed shaft	1	63	114S30007	Screw SM11/64"x40 L=7.5	1
28	10122017	Rubber ring	1	64	114S16004	Nut SM11/64"x40	1
29	10108003	Feed rocker shaft snap ring	1	65	S01102	Screw SM3/16"x28 L=18	1
30	101S15002	Screw SM1/4"x40 L=6	2	66	11329020	Snap ring 5	1
31	10403015	Bushing	2	67	10126015	Pin	1
32	H03001	Snap ring 15	1	68	10127010	Spring	1
33	10108003	Feed rocker shaft snap ring	1				

6



6. 润滑、油量检测组件/Oil Lubrication & Oil Measuring Components

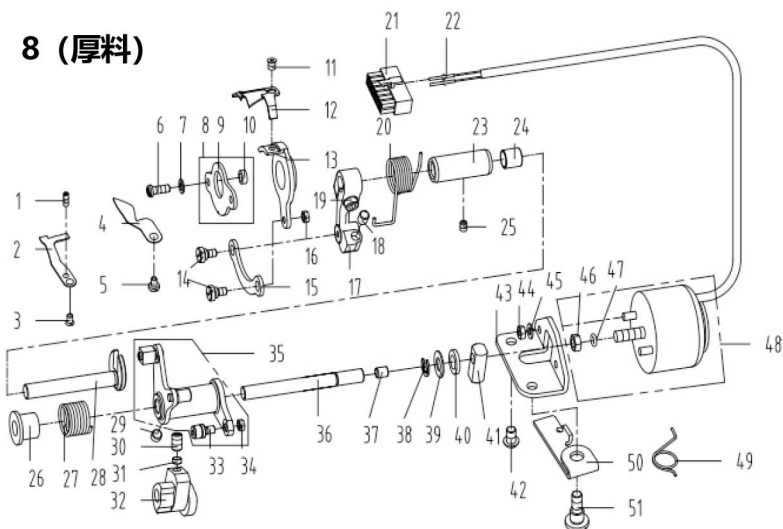
序号 NO	公司件号 Part NO	零件描述 Description	数量 Number	序号 NO	公司件号 Part NO	零件描述 Description	数量 Number
1	10111004	Oil sight window	1	19	1012000100	Lubricating oil pump component	1
2	10122019	Rubber ring	1	20	101S11026	Screw SM15/64"x28 L=9	1
3	14121001	Main shaft oil tube	1	21	10136001	Rubber joint	1
4	101S30008	Oil pump connecting stud	1	22	W02004	Spring Washer M6	1
5	10121001	Hook driving shaft oil tube	1	23	13821303	Hook oil tube	1
6	10112020	Oil pump installing base	1	24	11312031	Oil shield cover (H)	1
7	W03002	Spring washer	1	25	13827014	Spring	1
8	209S12001	Screw SM11/64"x40 L=10.5	1	26	113S30001	Screw SM11/64"x40 L=19	1
9	10103022	Oil pump bushing	1	27	10423005	Oil wick	1
10	101S30007	Plunger Screw M7X0.75 L=5	1	28	10127015	Oil felt clamp	1
11	10127013	Plunger spring	1	29	10123006	Oil felt felt	1
12	10122018	Plunger	1	30	101S11004	Screw SM3/16"x28 L=7	1
13	10120001	Oil pump	1	31	10112053	Oil tube clamp	1
14	S04093	Screw M3 L=6	3	32	11502100100	Oil return tube component	1
15	10111003	Oil pump impeller	1	33	10112025	Oil wick fixing plate	1
16	10112021	Oil pump impeller cover	1	34	101S11010	Screw SM9/64"x40 L=11	2
17	10111007	Lubricating oil pump cover	1	35	10123010	Oil wick	1
18	101S30006	Screw ST2.9 L=10	3	36	10112053	Wick	1



7. 绕线器组件/ Bobbin Components

序号 NO	公司件号 Part NO	零件描述 Description	数量 Number	序号 NO	公司件号 Part NO	零件描述 Description	数量 Number
1	1383103900	Bobbin winder asm.	1	17	13802026	Bobbin winder cam shaft	1
2	114S11008	Screw M4 L=6	1	18	S09103	Screw M4 L=4	2
3	W01142	Washer 4	1	19	13831102	Bobbin winder wheel	1
4	10113030	Thread press control plate	1	20	O01110	Ring	1
5	10111120	Winding pad	1	21	11422062	Washer	1
6	13831101	Bobbin winder bed	1	22	114S11003	Screw SM3/16"×28 L=10	3
7	H05006	Snap ring	1	23	1381300600	Bobbin thread tension asm.	1
8	10127061	Spring	1	24	138s16019	Thread tension nut	1
9	13812110	Regulating plate	1	25	11427006	Spring	1
10	10110030	Bobbin winder cam	1	26	10112005	Thread tension disk	2
11	S09045	Screw M5 L=5	1	27	11413022	Thread tension guide plate	1
12	1380510600	Bobbin winder connecting rod	1	28	112S13004	Screw	1
13	13827103	spring	1	29	114S16001	Nut SM11/64"×40	1
14	10127060	Spring	1	30	11435013	Driving wheel	1
15	H05909	Snap ring 4	1	31	S10009	Screw M6 L=8	2
16	13802111	Bobbin winder mian shaft	1				

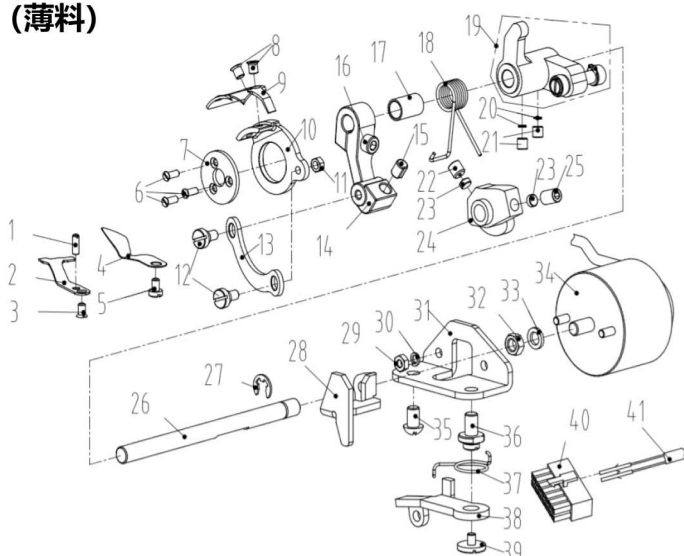
8 (厚料)



8. 切线装置部件 (厚料) /Thread Trimmer Components (H)

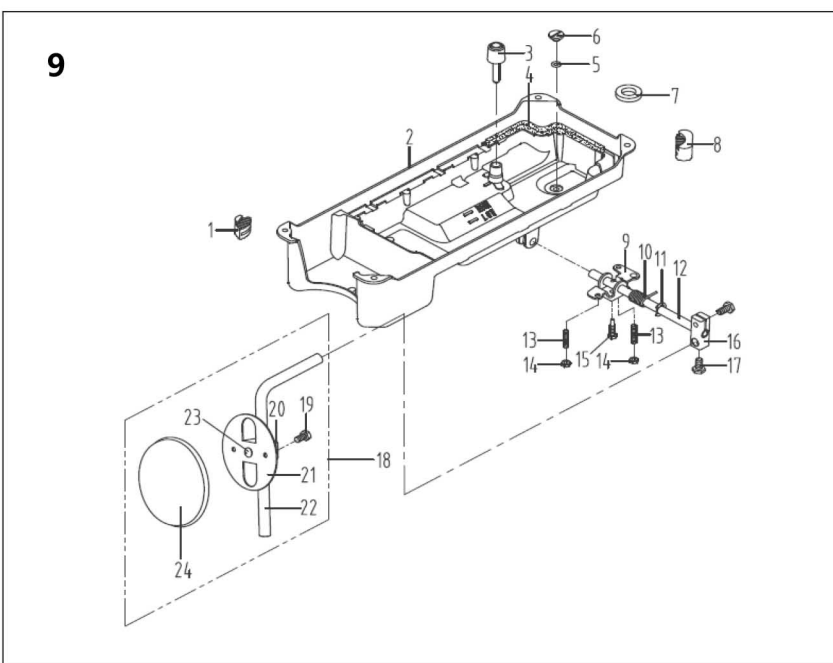
序号 NO	公司件号 Part NO	零件描述 Description	数量 Number	序号 NO	公司件号 Part NO	零件描述 Description	数量 Number
1	113S15002	Screw SM1/8"×44 L=9.5	1	27	11327002	Spring	1
2	115019001	Secant knife	1	28	11304002	Crank shaft	1
3	113S17001	Screw SM9/64×40 L=6	1	29	101S14001	Screw SM1/4"×40 L=6	1
4	11312003	Needle guard patch	1	30	116S14005	Screw SM1/4"×40 L=10	2
5	201S11009	Screw SM9/64"×40 L=5.5	1	31	11309030	Push rod	2
6	113S11001	Screw SM11/64"×40 L=12	2	32	11310011	Cam	1
7	10128003	Washer	2	33	11324001	Roolling pin	1
8	1381203100	Knife bracket press component	1	34	1138NS16007	Nut SM11/64"×40	1
9	13812031	Knife bracket press	1	35	1130400500	Thread trimmer drive asm	1
10	13803012	Short bushing	2	36	11302002	Shaft	1
11	113S17002	Screw SM11/64"×40 L=4.4	2	37	11322001	Positioning block	1
12	114119002	Moterial knife	1	38	H05013	Snap ring 6	1
13	11307001	Knife bracket	1	39	10112003	Cunter weight protecting	1
14	113S20001	Screw SM11/64×40 L=6.5	2	40	11322003	Solenoid cushion rubber	1
15	11312005	Connecting rod	1	41	11309001	Solenoid pin	1
16	114S16004	Nut SM11/64"×40	1	42	101S11026	Screw SM15/64"×28 L=9	1
17	11304001	Crank	1	43	11312006	Solenoid bracket	1
18	113822014	Crank driver stopper block	1	44	N01005	Nut M4	2
19	S05004	Screw M5 L=14	1	45	W02018	Washer 4	2
20	11327001	Spring	1	46	112S16006	Nut SM11/4"×40	1
21	11230004	Plug	1	47	113822005	Washer	1
22	11230005	Pin	1	48	1023000100	Thread trimmer solenoid asm.	1
23	11303003	Thread cutting shaft bushing	1	49	11327003	Spring	1
24	11503005	Crank drive shaft bushing	1	50	11312007	Thread release bed	1
25	113S14020	Screw SM11/64"×40 L=6	1	51	113S20002	Screw SM1/4×28 L=13	1
26	11322002	Spring cover	1				

8 (薄料)



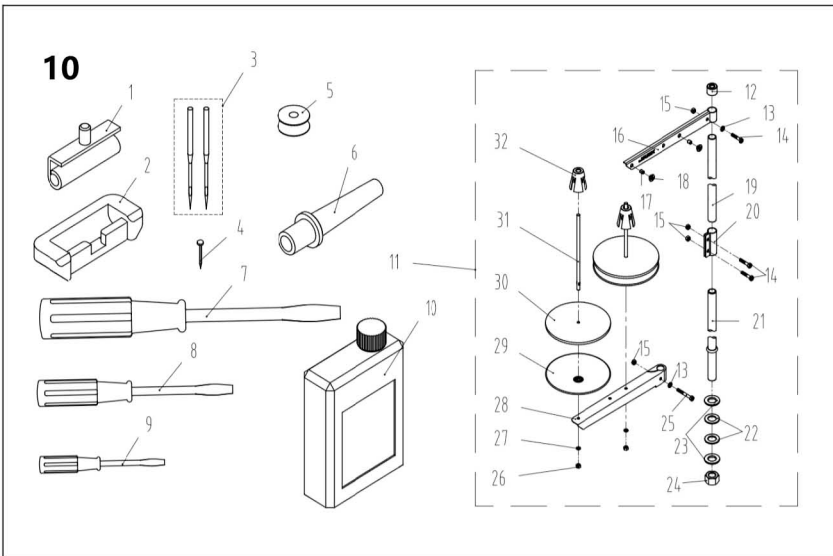
8. 切线装置部件 (薄料) /Thread Trimmer Components

序号 NO	公司件号 Part NO	零件描述 Description	数量 Number	序号 NO	公司件号 Part NO	零件描述 Description	数量 Number
1	113S15002	Screw SM1/8"x44 L=9.5	1	22	101S14001	Screw SM1/4"x40 L=6	1
2	115019001	Secant knife	1	23	11309030	Push rod	2
3	113S17001	Screw SM9/64"x40 L=6	1	24	13810306	Cam	1
4	11312003	Needle guard patch	1	25	116S14005	Screw SM1/4"x40 L=10	1
5	201S11009	Screw SM9/64"x40 L=5.5	2	26	13802320	Tangent drive shaft	1
6	138S17301	Screw M3 L=8	3	27	H05013	Snap ring 6	1
7	13812303	Knife bracket press	1	28	13812370	Push plate	1
8	113S17002	Screw SM11/64"x40 L=4.4	2	29	N01005	Nut M4	2
9	11319002	Motorial knife	1	30	W02018	Washer 4	2
10	13807303	Knife bracket	1	31	11312006	Solenoid bracket	1
11	114S16004	Nut SM11/64"x40	1	32	112S16006	Nut SM1/4"x40	1
12	113S20001	hinge Screw SM11/64"x40	2	33	113822005	Washer	1
13	13812302	Connecting rod	1	34	1383003300	Thread trimmer solenoid asm.	1
14	13804301	Thread Crank	1	35	101S11026	Screw SM15/64"x28 L=9	1
15	11322001	Crank driver stopper block	1	36	138S30301	Screw	1
16	S05004	Screw M5 L=14	1	37	13827303	Loose wire torsion spring	1
17	113803003	Tangent crank locating sleeve	1	38	13812304	Thread release bed	1
18	13827304	Spring	1	39	138S01302	Screw M4 L=5	1
19	1380432400	Crank asm	1	40	11230004	Plug	1
20	113809001	Washer	2	41	11230005	Pin	1
21	S09019	Screw M5 L=5	2				



9. 油盘、膝抬压脚分组件/Oil Ceservoir & Knee Lifter Components

序号 NO	公司件号 Part NO	零件描述 Description	数量 Number	序号 NO	公司件号 Part NO	零件描述 Description	数量 Number
1	10122022	Oil reservoir rubber cushion	2	13	101S15012	Screw M6 L=30	2
2	13801020	Oil Reservoir	1	14	101S16004	Nut M6 L=4	2
3	10111005	Knee lifter push rod	1	15	101S12002	Screw M6 L=26	1
4	10122020	Oil Reservoir gasket	1	16	10101008	Bearing bracket	1
5	10122021	Rubber ring	1	17	101S12003	Screw M8 L=16	2
6	101S11028	Screw SM5/16"x24 L=7	1	18	1011202800	Knee press plate asm	1
7	10131001	Oil reservoir magnet	1	19	101S12004	Screw M6 L=11	1
8	10122023	Oil reservoir rubber cushion	2	20	10112030	Knee press plate holder	1
9	10112027	Knee lifter crank	1	21	10112029	Knee press plate	1
10	10127016	Knee lifter spring	1	22	10112028	Knee lifter plate rod	1
11	H05010	Snap ring 10	1	23	10122025	Rubber	1
12	10102011	Knee lifter shaft	1	24	10122024	Knee press plate cover	1



10. 机头附件/Machine Head Accessories

序号 NO	公司件号 Part NO	零件描述 Description	数量 Number	序号 NO	公司件号 Part NO	零件描述 Description	数量 Number
1	1011203100	Hinge component	2	17	10113011	Thread guide ring	2
2	10122060	Head connecting rubber cushion	2	18	10113010	Thread guide ring	2
3	10117012	NeedleDBx1#14	10	19	13831019	Spool rest rod upper	1
4	10117002	NeedleDPx5#21 (H)	4	20	13831021	Spool rest rod joint	1
5	101S30010	Nail (P19)	6	21	13831020	Spool rest rod lower	1
6	10118003	Bobbin	3	22	10122106	Spool rest rod rubber ring	2
7	10111011	Machine head rest pin	1	23	W01052	Washer M16	2
8	20731047	Screw driver (large)	1	24	N02008	Spool rest rod nut M16	1
9	10131003	Screw driver (medium)	1	25	S04051	screw M5 L=31.5	1
10	10131004	Screw driver (small)	1	26	N01034	Nut M5	2
11	1381101200	Oiler component	1	27	W03002	Spring washer 5	2
12	1383100300	Thread stand asm	1	28	13831023	Spool rest arm lower	1
13	20131019	Spool rest rod rubber cap	1	29	13831024	Spool rest	2
14	W01047	Washer M5	2	30	20131010	Spool rest cushion	2
15	S04050	Screw M5 L=16	3	31	20131006	Spool pin	2
16	N01034	Nut M5	4	32	13831025	Spool retainer	2
17	13831022	Spool rest arm upper	1				

杰克缝纫机股份有限公司

杰克缝纫机
全球销量遥遥领先

公司地址(Address of Company) :

中国浙江省台州市椒江区三甲东海大道东段1008号

NO.1008, DONGHAI AVENUE EAST, JIAOJIANG DISTRICT,TAIZHOU CITY, ZHEJIANG

邮编(Zip Code) : 318000

国内销售部(Domestic Trade Department):

电话(TEL): 0086-0576-88177788 88177789

传真(FAX): 0086-0576-88177758

国贸销售部(International Trade Department):

电话(TEL): 0086-0576-88177782 88177774

传真(FAX): 00

服务热线: 400

http://www.ch

资料如有更改, 恕不另行通知, 以实物为准。

You will be not informed if the file has been revised.Please set sample as standard.

日期: 2021.4.12



请您扫下杰克服务号