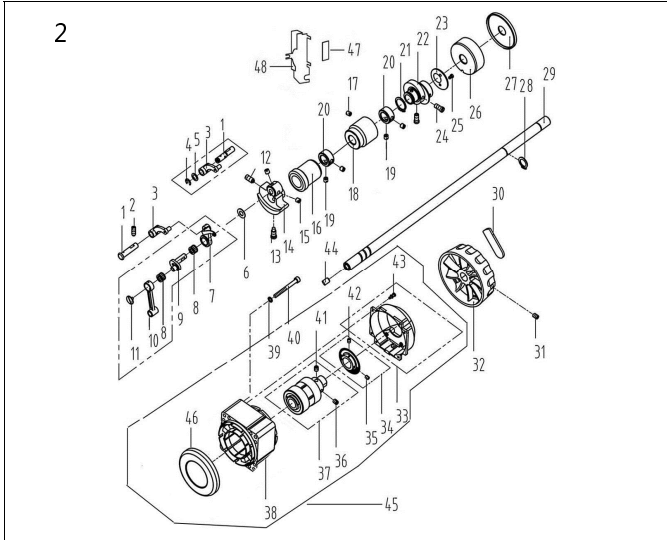


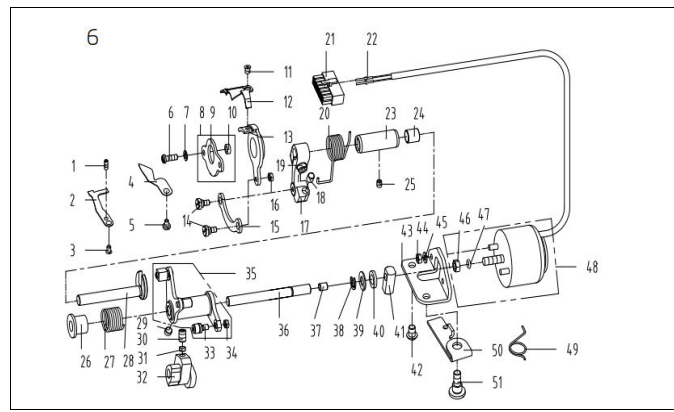
1. 机壳、外装组件/Machine Frame & Miscellaneous Cover Components

序号NO.	公司件号	Part NO.	名称	PartName	零件描述	Description	数量	Number
1	10151001	后盖板螺钉 SM3/16 x 28 L=9	后盖板螺钉 SM3/16 x 28 L=9	Screw SM3/16x28 L=9			3	3
2	10122003	压板调节孔螺塞	压板调节孔螺塞	Rubber plug			2	2
3	13837002	商标牌	商标牌	Head card			1	1
4	302591	压板(喷漆)	压板(喷漆)	Face plate asm			1	1
5	13813005	左线钩	左线钩	Thread guide left			1	1
6	10151007	右线钩螺钉 SM11/64 x 40 L=6	右线钩螺钉 SM11/64 x 40 L=6	Screw SM11/64x40 L=6			1	1
7	13822006	压板垫	压板垫	Face plate gasket			1	1
8	10151027	防油板螺钉 SM1/8 x 44 L=3.4	防油板螺钉 SM1/8 x 44 L=3.4	Screw SM1/8x44 L=3.4			1	1
9	10122007	防油板	防油板	Face oil shield asm.			1	1
10	10120282	防油板(厚料)	防油板(厚料)	Face oil shield asm(H)			1	1
11	10122013	杆杆上杆套孔塞	杆杆上杆套孔塞	Rubber plug			1	1
12	10122005	线钩轴衬套	线钩轴衬套	Rubber plug			1	1
13	10122004	杆杆轴衬套	杆杆轴衬套	Rubber plug			1	1
14	10151004	线钩杆护罩螺钉 SM3/16 x 28 L=7	线钩杆护罩螺钉 SM3/16 x 28 L=7	Screw SM3/16x28 L=7			1	1
15	13812018	线钩杆护罩	线钩杆护罩	Thread take-up lever cover			1	1
16	10151004	线钩杆护罩螺钉 SM3/16 x 28 L=7	线钩杆护罩螺钉 SM3/16 x 28 L=7	Screw SM3/16x28 L=7			1	1
17	13812004	三孔轴导	三孔轴导	3-hole thread guide			1	1
18	10122005	线钩轴衬套	线钩轴衬套	Rubber plug			1	1
19	10151015	割线刀螺钉 SM9/64 x 40 L=6	割线刀螺钉 SM9/64 x 40 L=6	Screw SM9/64x40 L=6			2	2
20	10149001	割线刀	割线刀	Knife			1	1
21	20722002	油塞	油塞	Rubber plug			1	1
22	13822001	操作罩孔塞	操作罩孔塞	Rubber plug			1	1
23	13822007	后盖板垫	后盖板垫	Side plate gasket			1	1
24	302592	后盖板(喷漆)	后盖板(喷漆)	Side plate			1	1
25	10151001	后盖板螺钉 SM3/16 x 28 L=9	后盖板螺钉 SM3/16 x 28 L=9	Screw SM3/16x28 L=9			1	1
26	1381025000	一体机电控罩壳组件(施麦克斯)	一体机电控罩壳组件(施麦克斯)	Electronic control box			1	1
27	1012009	GB/T994.1-1986挡圈 5	挡圈 5	Washer 5			2	2
28	10151001	双簧电机螺钉 M5x20	双簧电机螺钉 M5x20	Screw M5x20			3	3
29	10151003	橡胶(内六角)MS x25	橡胶(内六角)MS x25	Screw MSx25			1	1
30	13833024	一体机电控罩壳(施麦克斯)	一体机电控罩壳(施麦克斯)	Electronic control box(O)			1	1
31	13833042	一体机电控罩壳(施麦克斯)	一体机电控罩壳(施麦克斯)	Electronic control box			1	1
32	10122006	送料调节器孔塞	送料调节器孔塞	Rubber plug			1	1
33	10122007	下轴工艺孔塞	下轴工艺孔塞	Rubber plug			1	1
34	138505001	操作罩板螺钉	操作罩板螺钉	Screw			2	2
35	13833018	一体机电控罩壳组件(坊屋)	一体机电控罩壳组件(坊屋)	Control panel(O)			1	1
36	13833041	一体机电控罩壳组件(施麦克斯)	一体机电控罩壳组件(施麦克斯)	Control panel			1	1
37	10151001	底座支柱	底座支柱	Machine head stud			2	2
38	13822002	装饰条	装饰条	Decorative article			1	1
39	10151004	螺钉	螺钉	Screw			2	2
40	1381300400	小夹线器组件	小夹线器组件	Thread tension asm.			1	1
41	138516019	小夹线器螺母	小夹线器螺母	Disc stopper			1	1
42	10122002	小夹线器垫圈	小夹线器垫圈	Thread tension spring			1	1
43	10122004	小夹线器	小夹线器	Thread tension post			2	2
44	138130008	小夹线器螺母	小夹线器螺母	Thread tension disk			1	1
45	138508006	小夹线器固定螺钉 SM3/16 x 28 L=7	小夹线器固定螺钉 SM3/16 x 28 L=7	Screw SM3/16x28 L=7			1	1
46	13812066	注线板	注线板	Thread tension guide plate			1	1
47	13822008	橡胶垫(二孔)	橡胶垫(二孔)	Rubber plug			1	1
48	10131004	右线钩	右线钩	Thread guide right			1	1
49	10151007	右线钩螺钉 SM11/64 x 40 L=6	右线钩螺钉 SM11/64 x 40 L=6	Screw SM11/64x40 L=6			1	1
50	10151010	左线钩螺钉 SM15/64 x 28 L=10.5	左线钩螺钉 SM15/64 x 28 L=10.5	Screw SM15/64x28 L=10.5			1	1
51	10126030	松线钩	松线钩	Tension release pin			1	1
52	10122014	线钩调节器 O形圈	线钩调节器 O形圈	Rubber ring			1	1
53	10151005	夹线器固定螺钉 SM9/64 x 40 L=5.5	夹线器固定螺钉 SM9/64 x 40 L=5.5	Screw SM9/64x40 L=5.5			1	1
54	10122001	线钩调节器	线钩调节器	Thread take-up spring			1	1
55	10127031	线钩翼(厚料)	线钩翼(厚料)	Thread take-up spring(H)			1	1
56	10130101	线钩翼调节器	线钩翼调节器	Thread tension base			1	1
57	10122005	夹线板	夹线板	Thread tension disk			2	2
58	10122006	松线板	松线板	Disc stopper			1	1
59	10130002	线钩翼	线钩翼	Thread tension post			1	1
60	10127002	线钩翼	线钩翼	Thread tension spring A			1	1
61	10127004	线钩翼	线钩翼	Thread tension disk			1	1
62	10127005	线钩翼(厚料)	线钩翼(厚料)	Thread tension spring A (H)			1	1
63	10122007	夹线器动板	夹线器动板	Thread disk rotating stopper			1	1
64	138516013	夹线器螺母	夹线器螺母	Thread tension nut			1	1
65	1381300500	夹线器组件	夹线器组件	Thread tension asm.			1	1
66	1381300700	夹线器(厚)	夹线器(厚)	Thread tension asm.(H)			1	1
67	1383002700	电子夹线器组件	电子夹线器组件	Nest less-e-device			1	1
68	20754007	回弹器螺钉 M4X6	回弹器螺钉 M4X6	Screw M4X6			1	1
69	10143001	固定式限位钩	固定式限位钩	Thread guide			1	1
70	401516001	螺母 SM9/64 x 40	螺母 SM9/64 x 40	Nut SM9/64x40			1	1
71	13851002	限位器螺钉 SM11/64 x 40 L=5.5	限位器螺钉 SM11/64 x 40 L=5.5	Screw SM11/64x40 L=5.5			1	1
72	13821011	限位器座	限位器座	Ruler stop seat			1	1
73	101457002	杆钩螺钉(进口) SM11/64 x 40	杆钩螺钉(进口) SM11/64 x 40	Screw SM11/64x40			2	2
74	10140006	杆钩	杆钩	Needle plate			1	1
75	10151001	杆钩(厚料)	杆钩(厚料)	Needle plate(H)			1	1
76	10151002	杆钩(-7)	杆钩(-7)	Needle plate(-7)			1	1
77	10151003	杆钩	杆钩	Side plate			1	1
78	10127009	限位板	限位板	Slide plate spring			1	1
79	10151012	限位板螺钉 SM3/32 x 56 L=2	限位板螺钉 SM3/32 x 56 L=2	Screw SM3/32x56 L=2			2	2
80	10128016	橡胶垫(橡胶垫圈)	橡胶垫(橡胶垫圈)	Washer			1	1
81	13812007	卡簧	卡簧	Buckle			1	1
82	504021	螺钉	螺钉	Screw			1	1
83	12922015	橡胶垫	橡胶垫	Rubber plug			1	1
84	13826009	罩壳台销钉	罩壳台销钉	Pin			1	1
85	1012002	底座座(亚克力)	底座座(亚克力)	Panel seat			1	1



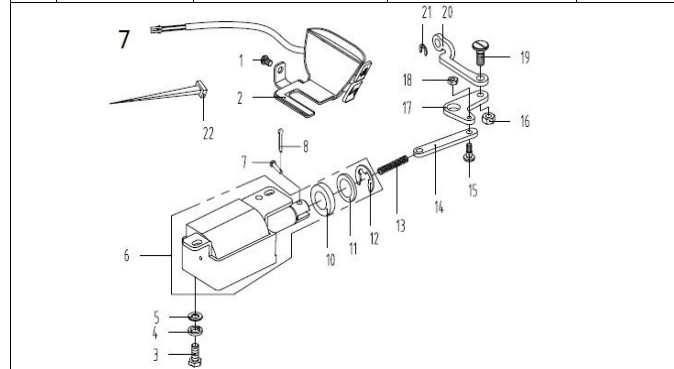
2. 上轴挑线组件/Main Shaft & Thread Take-up Components

序号NO.	公司件号	Part NO.	名称	PartName	零件描述	Description	数量	Number
1	10126001	挑线轴衬套	挑线轴衬套	Thread take-up connecting rod pin(H)			1	1
2	13826003	挑线轴衬套	挑线轴衬套	Thread take-up connecting rod pin			1	1
3	10151001	上轴螺钉 SM15/64 x 28 L=15	上轴螺钉 SM15/64 x 28 L=15	Screw SM15/64x28 L=15			1	1
4	10151001	挑线轴衬套	挑线轴衬套	Thread take-up connecting rod(H)			1	1
5	10151001	挑线轴衬套	挑线轴衬套	Thread take-up connecting rod			1	1
6	4015013	GB/T896-1986挡圈	挡圈	Snap ring			1	1
7	13828010	垫片	垫片	washer			1	1
8	10122003	针杆轴衬套	针杆轴衬套	Needle bar crank protecting plate			1	1
9	1013800100	挑线轴衬套	挑线轴衬套	Thread take-up lever asm.			1	1
10	1013800200	挑线轴衬套(厚料)	挑线轴衬套(厚料)	Thread take-up lever asm.(H)			1	1
11	10124001	挑线轴衬套	挑线轴衬套	Needle bearing			2	2
12	1310001	挑线轴衬套	挑线轴衬套	Thread take-up crank			1	1
13	101300400	挑线轴衬套(厚料)	挑线轴衬套(厚料)	Thread take-up crank(H)			1	1
14	10130010	挑线轴衬套(厚料)	挑线轴衬套(厚料)	Thread take-up crank(H-M)			1	1
15	10105002	针杆轴衬套	针杆轴衬套	Needle bar connecting rod			1	1
16	10151001	挑线轴衬套(左翼)	挑线轴衬套(左翼)	Screw			1	1
17	10151004	针杆轴衬套	针杆轴衬套	Screw SM9/32x28 L=16			1	1
18	10151003	针杆轴衬套	针杆轴衬套	Screw SM9/32x28 L=16			1	1
19	10151003	针杆轴衬套	针杆轴衬套	Screw SM9/32x28 L=16			1	1
20	10151003	针杆轴衬套	针杆轴衬套	Screw SM9/32x28 L=16			1	1
21	10151003	针杆轴衬套	针杆轴衬套	Screw SM9/32x28 L=16			1	1
22	10151003	针杆轴衬套	针杆轴衬套	Screw SM9/32x28 L=16			1	1
23	10151003	针杆轴衬套	针杆轴衬套	Screw SM9/32x28 L=16			1	1
24	10151003	针杆轴衬套	针杆轴衬套	Screw SM9/32x28 L=16			1	1
25	10151003	针杆轴衬套	针杆轴衬套	Screw SM9/32x28 L=16			1	1
26	10151003	针杆轴衬套	针杆轴衬套	Screw SM9/32x28 L=16			1	1
27	10151003	针杆轴衬套	针杆轴衬套	Screw SM9/32x28 L=16			1	1
28	10151003	针杆轴衬套	针杆轴衬套	Screw SM9/32x28 L=16			1	1
29	10151003	针杆轴衬套	针杆轴衬套	Screw SM9/32x28 L=16			1	1
30	10151003	针杆轴衬套	针杆轴衬套	Screw SM9/32x28 L=16			1	1
31	10151003	针杆轴衬套	针杆轴衬套	Screw SM9/32x28 L=16			1	1
32	10151003	针杆轴衬套	针杆轴衬套	Screw SM9/32x28 L=16			1	1
33	10151003	针杆轴衬套	针杆轴衬套	Screw SM9/32x28 L=16			1	1
34	10151003	针杆轴衬套	针杆轴衬套	Screw SM9/32x28 L=16			1	1
35	10151003	针杆轴衬套	针杆轴衬套	Screw SM9/32x28 L=16			1	1
36	10151003	针杆轴衬套	针杆轴衬套	Screw SM9/32x28 L=16			1	1
37	10151003	针杆轴衬套	针杆轴衬套	Screw SM9/32x28 L=16			1	1
38	10151003	针杆轴衬套	针杆轴衬套	Screw SM9/32x28 L=16			1	1
39	10151003	针杆轴衬套	针杆轴衬套	Screw SM9/32x28 L=16			1	1
40	10151003	针杆轴衬套	针杆轴衬套	Screw SM9/32x28 L=16			1	1
41	10151003	针杆轴衬套	针杆轴衬套	Screw SM9/32x28 L=16			1	1
42	10151003	针杆轴衬套	针杆轴衬套	Screw SM9/32x28 L=16			1	1
43	10151003	针杆轴衬套	针杆轴衬套	Screw SM9/32x28 L=16			1	1
44	10151003	针杆轴衬套	针杆轴衬套	Screw SM9/32x28 L=16			1	1
45	10151003	针杆轴衬套	针杆轴衬套	Screw SM9/32x28 L=16			1	1
46	10151003	针杆轴衬套	针杆轴衬套	Screw SM9/32x28 L=16			1	1
47	10151003	针杆轴衬套	针杆轴衬套	Screw SM9/32x28 L=16			1	1
48	10151003	针杆轴衬套	针杆轴衬套	Screw SM9/32x28 L=16			1	1
49	10151003	针杆轴衬套	针杆轴衬套	Screw SM9/32x28 L=16			1	1
50	10151003	针杆轴衬套	针杆轴衬套	Screw SM9/32x28 L=16			1	1
51	10151003	针杆轴衬套	针杆轴衬套	Screw SM9/32x28 L=16			1	1
52	10151003	针杆轴衬套	针杆轴衬套	Screw SM9/32x28 L=16			1	1
53	10151003	针杆轴衬套	针杆轴衬套	Screw SM9/32x28 L=16			1	1
54	10151003	针杆轴衬套	针杆轴衬套	Screw SM9/32x28 L=16			1	1
55	10151003	针杆轴衬套	针杆轴衬套	Screw SM9/32x28 L=16			1	1
56	10151003	针杆轴衬套	针杆轴衬套	Screw SM9/32x28 L=16			1	1
57	10151003	针杆轴衬套	针杆轴衬套	Screw SM9/32x28 L=16			1	1
58	10151003	针杆轴衬套	针杆轴衬套	Screw SM9/32x28 L=16			1	1
59	10151003	针杆轴衬套	针杆轴衬套	Screw SM9/32x28 L=16			1	1
60	10151003	针杆轴衬套	针杆轴衬套	Screw SM9/32x28 L=16			1	1
61	10151003	针杆轴衬套	针杆轴衬套	Screw SM9/32x28 L=16			1	1
62	10151003	针杆轴衬套	针杆轴衬套	Screw SM9/32x28 L=16			1	1
63	10151003	针杆轴						



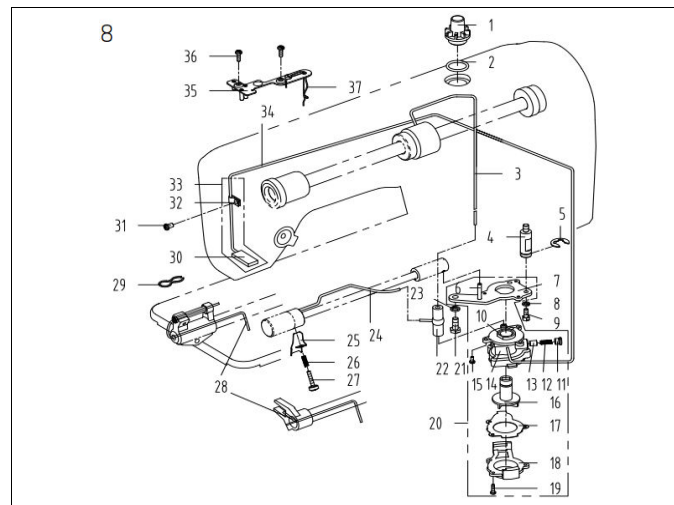
6. 切线装置部件/Thread Trimmer Components

序号NO.	公司件号	Part NO.	名称	PartName	零件描述	Description	数量	Number
1	11355002		定刀/剪刀	Screw SM1/8"x4 L=9.5	Screw SM1/8"x4 L=9.5		1	1
2	1139001		定刀	Screw SM9/64"x40	Screw SM9/64"x40		1	1
3	11357001		护片	Screw SM11/64"x40 L=12	Screw SM11/64"x40 L=12		2	2
4	1132003		护片	Washer	Washer		2	2
5	20151009		护片	Knife bracket press component	Knife bracket press component		1	1
6	11351001		护片	Knife bracket press	Knife bracket press		1	1
7	10128003		护片	Knife bracket press	Knife bracket press		1	1
8	113820300		护片	Knife bracket press	Knife bracket press		1	1
9	11382031		护片	Knife bracket press	Knife bracket press		1	1
10	11382032		护片	Knife bracket press	Knife bracket press		1	1
11	11357002		护片	Knife bracket press	Knife bracket press		1	1
12	1139002		护片	Knife bracket press	Knife bracket press		1	1
13	1139003		护片	Knife bracket press	Knife bracket press		1	1
14	1139001		护片	Knife bracket press	Knife bracket press		1	1
15	1132001		护片	Knife bracket press	Knife bracket press		1	1
16	1132005		护片	Knife bracket press	Knife bracket press		1	1
17	1132004		护片	Knife bracket press	Knife bracket press		1	1
18	1132001		护片	Knife bracket press	Knife bracket press		1	1
19	1132005		护片	Knife bracket press	Knife bracket press		1	1
20	1132001		护片	Knife bracket press	Knife bracket press		1	1
21	1132004		护片	Knife bracket press	Knife bracket press		1	1
22	1132005		护片	Knife bracket press	Knife bracket press		1	1
23	11303003		护片	Knife bracket press	Knife bracket press		1	1
24	11503005		护片	Knife bracket press	Knife bracket press		1	1
25	11354002		护片	Knife bracket press	Knife bracket press		1	1
26	11322002		护片	Knife bracket press	Knife bracket press		1	1
27	11327002		护片	Knife bracket press	Knife bracket press		1	1
28	11304002		护片	Knife bracket press	Knife bracket press		1	1
29	11654003		护片	Knife bracket press	Knife bracket press		1	1
30	11654005		护片	Knife bracket press	Knife bracket press		1	1
31	11309030		护片	Knife bracket press	Knife bracket press		1	1
32	11310004		护片	Knife bracket press	Knife bracket press		1	1
33	1131001		护片	Knife bracket press	Knife bracket press		1	1
34	11324001		护片	Knife bracket press	Knife bracket press		1	1
35	11360002		护片	Knife bracket press	Knife bracket press		1	1
36	1130400500		护片	Knife bracket press	Knife bracket press		1	1
37	1132001		护片	Knife bracket press	Knife bracket press		1	1
38	1132001		护片	Knife bracket press	Knife bracket press		1	1
39	1132003		护片	Knife bracket press	Knife bracket press		1	1
40	1132003		护片	Knife bracket press	Knife bracket press		1	1
41	1132001		护片	Knife bracket press	Knife bracket press		1	1
42	11310206		护片	Knife bracket press	Knife bracket press		1	1
43	11310206		护片	Knife bracket press	Knife bracket press		1	1
44	11310206		护片	Knife bracket press	Knife bracket press		1	1
45	11310206		护片	Knife bracket press	Knife bracket press		1	1
46	11310206		护片	Knife bracket press	Knife bracket press		1	1
47	11310206		护片	Knife bracket press	Knife bracket press		1	1
48	113030300		护片	Knife bracket press	Knife bracket press		1	1
49	1132003		护片	Knife bracket press	Knife bracket press		1	1
50	1132007		护片	Knife bracket press	Knife bracket press		1	1
51	1132002		护片	Knife bracket press	Knife bracket press		1	1



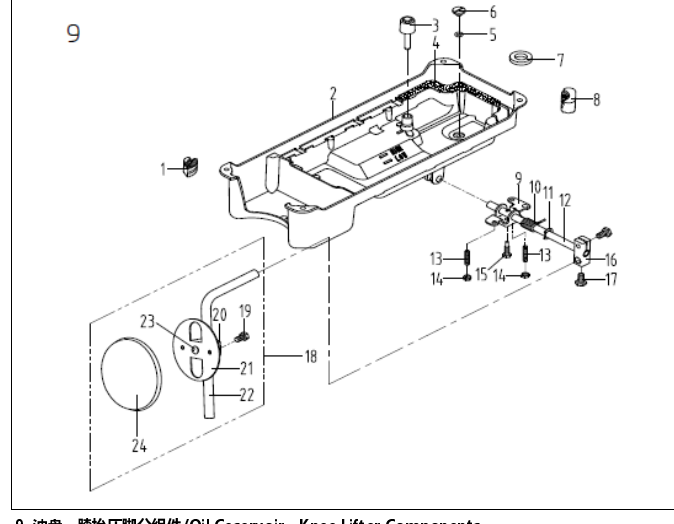
7. 自动倒送料开关、感应抬压脚组件/Automatic Reverse Feed Components

序号NO.	公司件号	Part NO.	名称	PartName	零件描述	Description	数量	Number
1	10151004		铁线杆护套	Screw SM3/16"x28 L=7	Screw SM3/16"x28 L=7		1	1
2	1138300700		双开夹组件	Auto reverse feed switch asm	Auto reverse feed switch asm		1	1
3	116530003		指叉固定螺栓	Screw SM15/64"x28 L=14.5	Screw SM15/64"x28 L=14.5		2	2
4	1132004		指叉固定螺栓	Spring washer M6	Spring washer M6		2	2
5	11628005		指叉固定螺栓	Washer	Washer		2	2
6	11383003400		自动倒送料电磁阀	Auto reverse feed solenoid	Auto reverse feed solenoid		1	1
7	11383003500		自动倒送料电磁阀 (-1)	Auto reverse feed solenoid (-1)	Auto reverse feed solenoid (-1)		1	1
8	11326005		销子	Pin	Pin		1	1
9	11326001		开口销	Cotter pin	Cotter pin		1	1
10	11322040		橡胶垫片	Rubber plunger	Rubber plunger		1	1
11	11328031		垫片	Washer	Washer		1	1
12	1105014		销环	Snap ring	Snap ring		1	1
13	11227006		自动倒送料连杆弹簧	Plunger spring	Plunger spring		1	1
14	11382034		自动倒送料连杆	Auto reverse feed connecting rod	Auto reverse feed connecting rod		1	1
15	11252002		轴承	Screw SM11/64"x40	Screw SM11/64"x40		1	1
16	11252007		轴承	Nut SM11/64"x28	Nut SM11/64"x28		1	1
17	1124003		自动倒送料曲柄	Auto reverse feed crank	Auto reverse feed crank		1	1
18	11252008		轴承	Nut SM11/64"x40	Nut SM11/64"x40		1	1
19	11252001		轴承	Hinge Screw SM11/64"x28	Hinge Screw SM11/64"x28		1	1
20	11212029		自动倒送料连杆	Auto reverse feed pull shaft	Auto reverse feed pull shaft		1	1
21	11382371		自动倒送料连杆 (-1)	Auto reverse feed pull shaft (-1)	Auto reverse feed pull shaft (-1)		1	1
22	11 (029)03		轴用弹性挡圈(厚0.8mm)x1	Snap ring 7	Snap ring 7		1	1
23	11212005		尼龙扎带	Cable band	Cable band		4	4



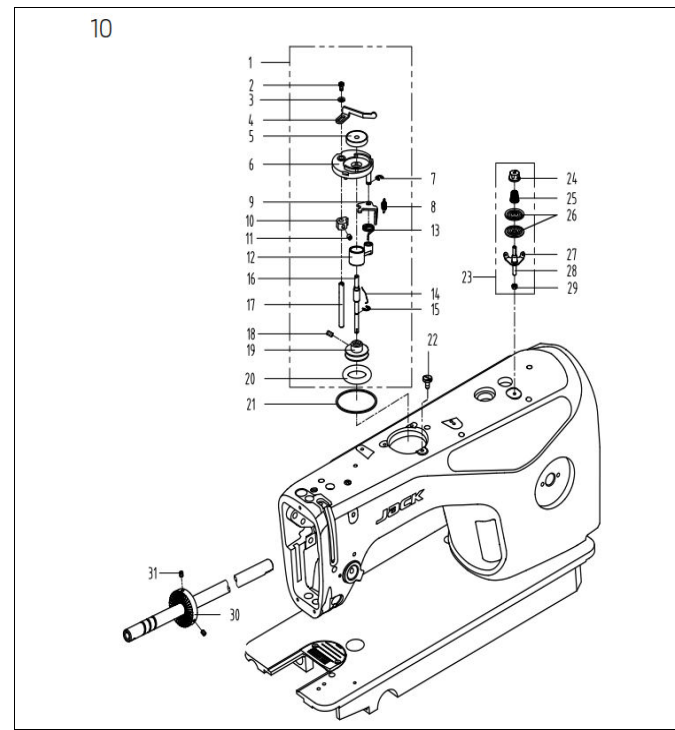
8. 润滑油、油量检测组件/Oil Lubrication, Oil Measuring Components

序号NO.	公司件号	Part NO.	名称	PartName	零件描述	Description	数量	Number
1	11211004		油窗	Oil sight window	Oil sight window		1	1
2	10122019		油窗O形圈	Rubber ring	Rubber ring		1	1
3	11421001		主油供油管	Main shaft oil tube	Main shaft oil tube		1	1
4	112530005		油泵进油螺柱	Oil pump connecting stud	Oil pump connecting stud		1	1
5	11329010		开口销	Snap ring 10	Snap ring 10		1	1
6	10121001		主油供油管	Hook driving shaft oil tube	Hook driving shaft oil tube		1	1
7	10121001		油泵安装板	Oil pump installing base	Oil pump installing base		1	1
8	1130202		弹簧	Spring washer	Spring washer		1	1
9	209532001		压缩螺柱	Screw SM11/64"x40 L=10.5	Screw SM11/64"x40 L=10.5		1	1
10	10103022		油泵体衬套	Oil pump bushing	Oil pump bushing		1	1
11	101530007		柱塞螺柱	Plunger Screw	Plunger Screw		1	1
12	10127013		柱塞簧	Plunger spring	Plunger spring		1	1
13	10122018		回油柱塞	Plunger	Plunger		1	1
14	10120001		油泵体	Oil pump	Oil pump		1	1
15	504003		油泵螺柱	Screw	Screw		3	3
16	10111013		油泵叶轮	Oil pump impeller	Oil pump impeller		1	1
17	10121021		油泵叶轮托板	Oil pump impeller cover	Oil pump impeller cover		1	1
18	10111007		油泵盖	Lubricating oil pump cover	Lubricating oil pump cover		1	1
19	101530006		螺柱	Screw	Screw		3	3
20	101200100		油泵分部件	Lubricating oil pump component	Lubricating oil pump component		1	1
21	113530003		指叉固定螺柱	Screw SM15/64"x28 L=14.5	Screw SM15/64"x28 L=14.5		1	1
22	10136001		指叉簧	Rubber joint	Rubber joint		1	1
23	11022004		指叉簧	Spring Washer M6	Spring Washer M6		1	1
24	11382010		指叉簧	Hook oil tube	Hook oil tube		1	1
25	11321031		指叉簧	Oil shield cover	Oil shield cover		1	1
26	11382014		油窗调节螺柱	Spring	Spring		1	1
27	113530001		油窗调节螺柱	Screw	Screw		1	1
28	10423005		油窗	Oil wick	Oil wick		1	1
29	10127015		回油毡垫	Oil felt clamp	Oil felt clamp		1	1
30	10123006		回油毡	Oil felt felt	Oil felt felt		1	1
31	10151004		回油毡	Screw SM3/16"x28 L=7	Screw SM3/16"x28 L=7		1	1
32	10121023		回油管夹	Oil tube clamp	Oil tube clamp		1	1
33	10121007		回油管部件	Oil return tube component	Oil return tube component		1	1
34	10121008		回油管	Oil return tube	Oil return tube		1	1
35	10121025		油窗固定板	Oil wick fixing plate	Oil wick fixing plate		1	1
36	10151010		螺柱	Screw SM9/64"x40 L=11	Screw SM9/64"x40 L=11		2	2
37	10123010		油窗	Oil wick	Oil wick		1	1



9. 油盘、膝抬压脚分组件/Oil Reservoir, Knee Lifter Components

序号NO.	公司件号	Part NO.	名称	PartName	零件描述	Description	数量	Number
1	10122022		油盘橡胶垫	Oil reservoir rubber cushion	Oil reservoir rubber cushion		2	2
2	11380120		油盘	Oil Reservoir	Oil Reservoir		1	1
3	10111005		膝抬压脚杆	Knee lifter push rod	Knee lifter push rod		1	1
4	10122020		油盘垫	Oil Reservoir gasket	Oil Reservoir gasket		1	1
5	10122021		O形圈	Rubber ring	Rubber ring		2	2
6	10151028		排油孔螺柱	Screw SM5/16"x24 L=7	Screw SM5/16"x24 L=7		2	2
7	10131001		油盘磁铁	Oil reservoir magnet	Oil reservoir magnet		1	1
8	10122023		油盘支架	Oil reservoir rubber cushion	Oil reservoir rubber cushion		2	2
9	10121027		膝抬脚双向曲柄	Knee lifter crank	Knee lifter crank		4	4
10	10127016		双向曲柄弹簧	Knee lifter spring	Knee lifter spring		1	1
11	1105010		销环	Snap ring 10	Snap ring 10		1	1
12	10102011		抬压脚轴	Knee lifter shaft	Knee lifter shaft		1	1
13	10151012		双向曲柄限位	Screw M6 L=30	Screw M6 L=30		1	1
14	10151004		双向曲柄限位	Nut M6 L=4	Nut M6 L=4		2	2
15	10152002		双向曲柄限位	Screw M6 L=26	Screw M6 L=26		1	1
16	10101009		抬压脚螺柱	Bearing bracket	Bearing bracket		1	1
17	10152003		抬压脚螺柱	Screw M6 L=16	Screw M6 L=16		2	2
18	10122020		抬压脚螺柱	Knee press plate asm	Knee press plate asm		1	1
19	10152004		抬压脚螺柱	Screw M6 L=11	Screw M6 L=11		1	1
20	10121030		抬压脚螺柱	Knee press plate holder	Knee press plate holder		1	1
21	10121029		抬压脚螺柱	Knee press plate	Knee press plate		1	1
22	10121028		抬压脚螺柱	Knee lifter plate rod	Knee lifter plate rod		1	1
23	10122025		抬压脚螺柱	Rubber	Rubber		1	1
24	10122024		抬压脚螺柱	Knee press plate cover	Knee press plate cover		1	1



10. 绕线器组件/Bobbin Components

序号NO.	公司件号	Part NO.	名称	PartName	零件描述	Description	数量	Number
1	113830300		绕线器组件	Bobbin winder asm.	Bobbin winder asm.		1	1
2	11451008		螺柱	Screw M4x6	Screw M4x6		1	1
3	GB/T1971		垫圈	Washer	Washer		1	1
4	10113030		绕线器盖板	Thread press control plate	Thread press control plate		1	1
5	1011120		绕线器垫	Winding pad	Winding pad		1	1
6	11383101		绕线器底座	Bobbin winder bed	Bobbin winder bed		1	1
7	GB/T 896-1986		开口销	Snap ring	Snap ring		1	1
8	10127061		绕线器簧	Spring	Spring		1	1
9	11382110		绕线器簧	Regulating plate	Regulating plate		1	1
10	10110030		绕线器凸轮	Bobbin winder cam	Bobbin winder cam		1	1
11	109045		螺柱	Screw	Screw		1	1
12	1138016000		绕线器连接杆	Bobbin winder connecting rod	Bobbin winder connecting rod		1	1
13	113827103		绕线器簧	Spring	Spring		1	1
14	10127060		簧	Spring	Spring		1	1
15	GB/T 896-1986		开口销	Snap ring	Snap ring		1	1
16	11380211		绕线器主轴	Bobbin winder main shaft	Bobbin winder main shaft		1	1
17	113802026		绕线器凸轮轴	Bobbin winder cam shaft	Bobbin winder cam shaft		1	1
18	109103		绕线器螺柱	Screw	Screw		2	2
19	11381102		绕线器轮	Bobbin winder wheel	Bobbin winder wheel		1	1
20	101110		O形圈	Ring	Ring		1	1
21	11422062		垫片	Washer	Washer		1	1
22	11451003		螺柱	Screw SM3/16"x28 L=10	Screw SM3/16"x28 L=10		3	3
23	113830600		绕线器头	Bobbin thread				