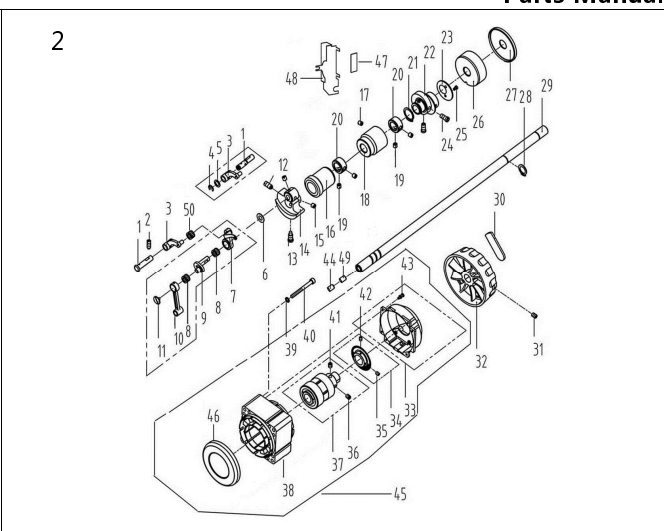


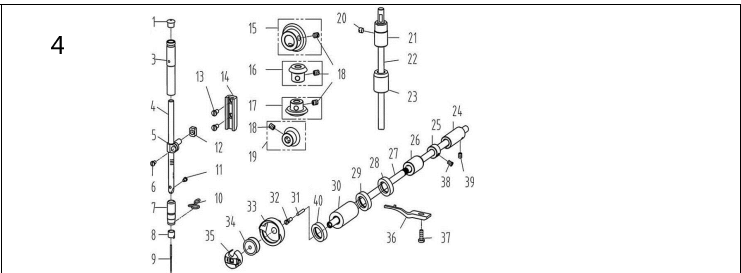
1. 机壳、外装组件件/Machine Frame & Miscellaneous Cover Components

Table with 5 columns: 序号 NO, 公司件号 Part NO, 名称 PartName, 零件描述 Description, 数量 Number. Lists parts for the machine frame and cover, including screws, plates, and structural components.



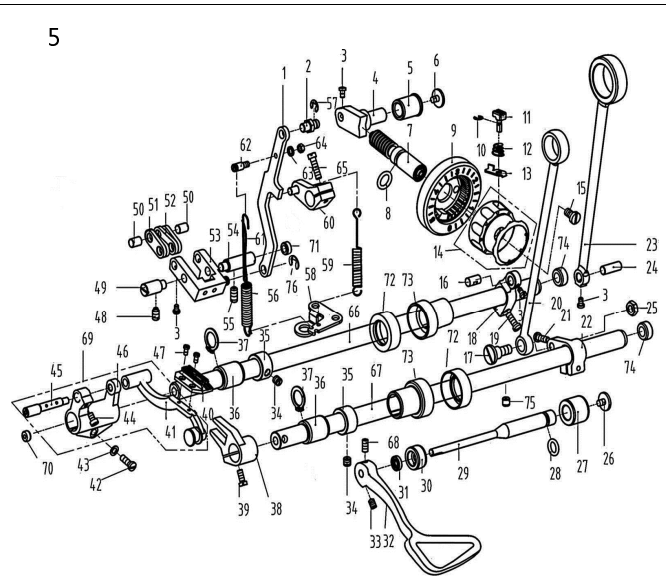
2. 上轴排线分组件/Main Shaft & Thread Take-up Components

Table with 5 columns: 序号 NO, 公司件号 Part NO, 名称 PartName, 零件描述 Description, 数量 Number. Lists parts for the main shaft and thread take-up mechanism, including shafts, bearings, and levers.



4. 针杆、竖轴、下轴部件/Needle bar,Upright Shaft & Hook Driving Shaft Components

Table with 5 columns: 序号 NO, 公司件号 Part NO, 名称 PartName, 零件描述 Description, 数量 Number. Lists parts for the needle bar, upright shaft, and hook driving shaft, including needles, guides, and shafts.



5. 送料分组件件/Feed Mechanism Components

Table with 5 columns: 序号 NO, 公司件号 Part NO, 名称 PartName, 零件描述 Description, 数量 Number. Lists parts for the feed mechanism, including rollers, guides, and drive components.

3. 压料、自动抬脚分组件/Presser Bar , Auto Lifter Components

Table with 5 columns: 序号 NO, 公司件号 Part NO, 名称 PartName, 零件描述 Description, 数量 Number. Lists parts for the presser bar and auto lifter, including levers, springs, and rollers.

