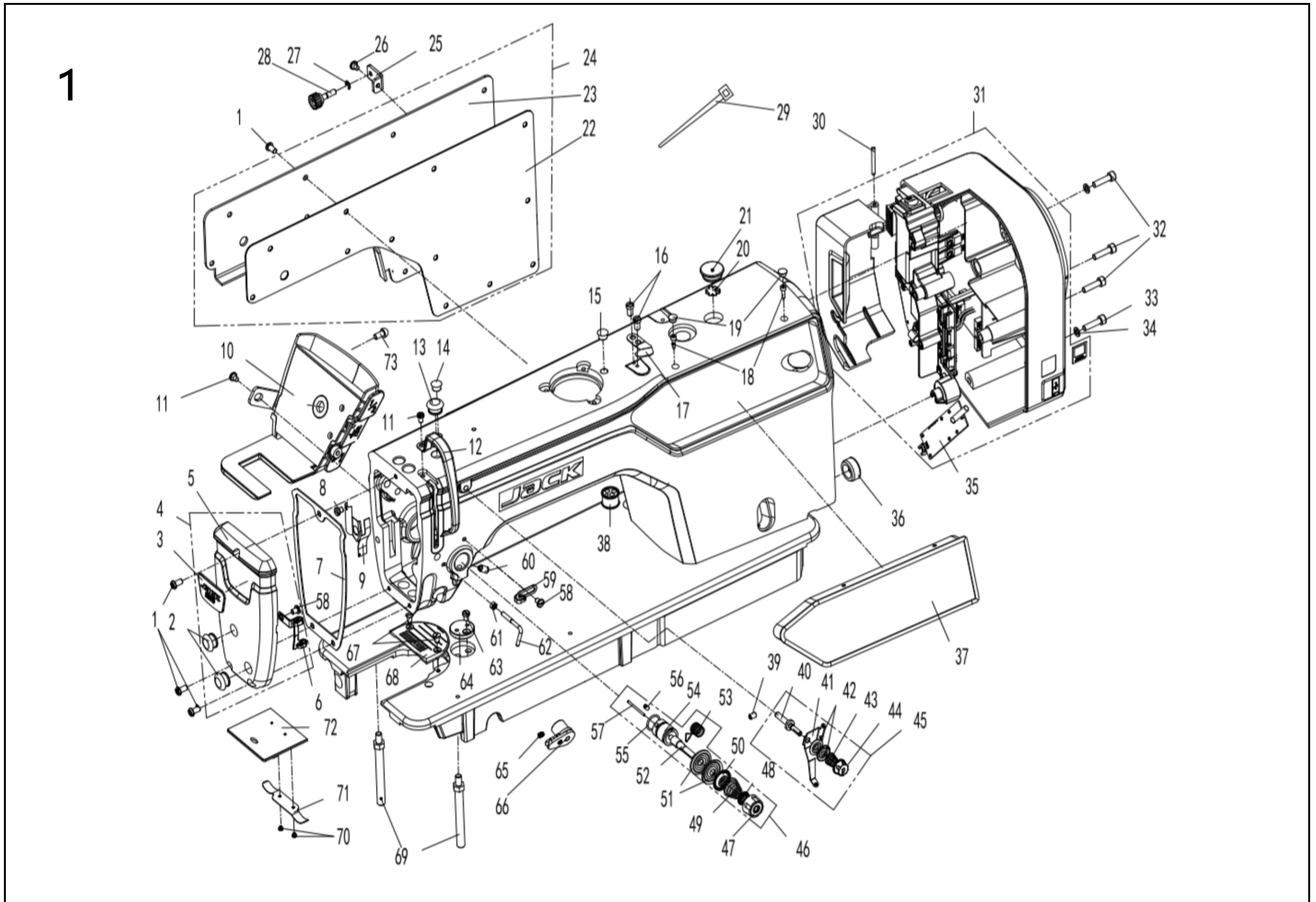


JACK 杰克

快速服务 100%

A7/A7⁺ 系列
A7/A7⁺ Series

零件手册
Parts Manual

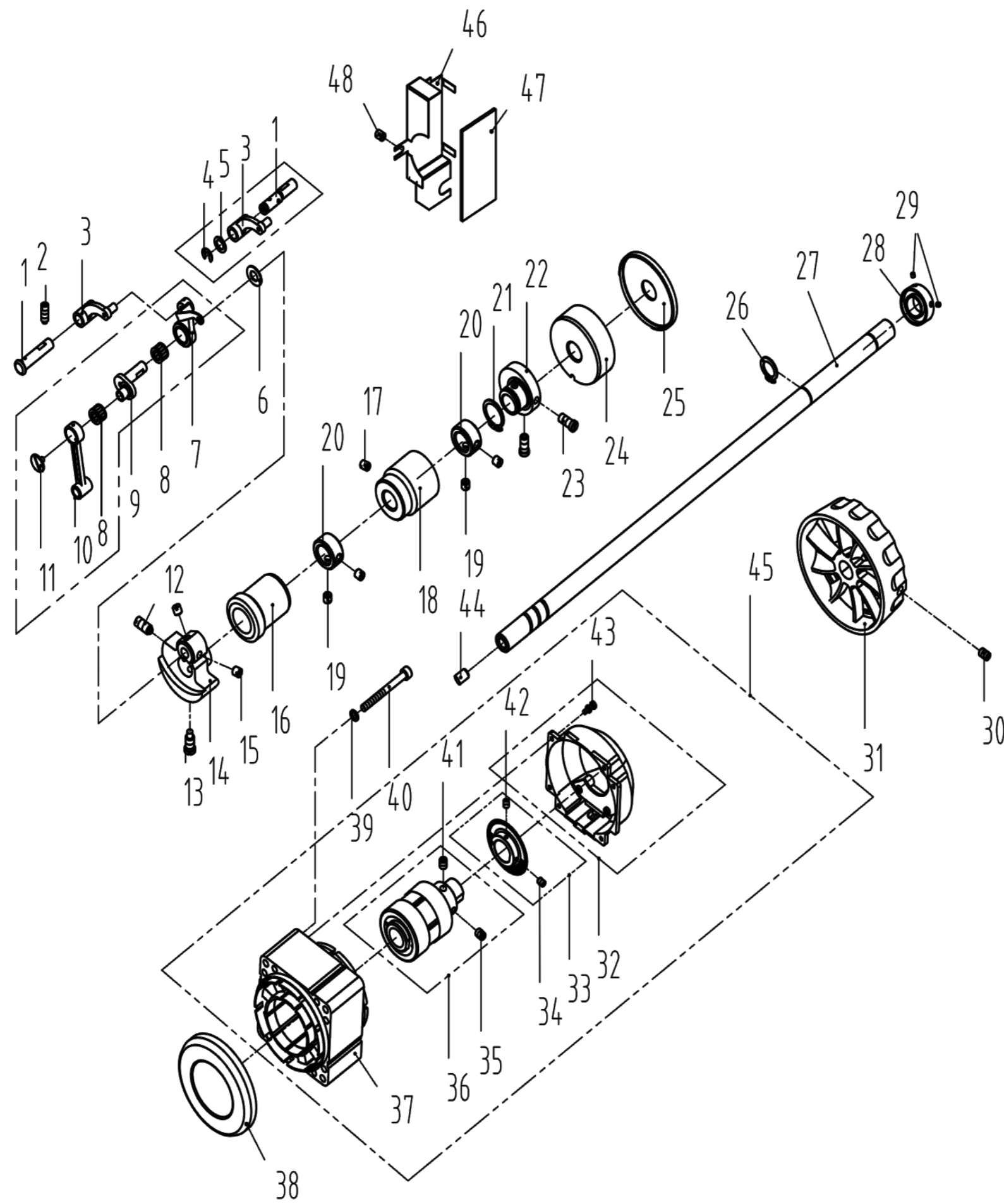


1. 机壳、外装部件/Machine Frame & Miscellaneous Cover Components

序号 NO	公司件号 Part NO	名称 PartName	零件描述 Description	数量 Number
1	101S11001	螺钉SM3/16"×28 L=9	Screw SM3/16"×28 L=9	14
2	10122003	面板调节孔螺塞	Rubber plug	2
3	115037001	面板商标牌	Head card	1
4	930000555	面板(喷漆)	Face plate asm	1
5	115201005	面板	Face plate asm	1
6	13813005	左线钩	Thread guide left	1
7	115022002	面板垫	Face plate gasket	1
8	101S11027	螺钉SM1/8"×44 L=3.4	Screw SM1/8"×44 L=3.4	1
9	113812019	面部防油板	Face oil shield asm	1
	11412082	面部防油板(厚料)	Face oil shield asm(H)	1
10	11523000600	倒缝开关组件(三开关)	Three switch components	1
11	101S11004	螺钉SM3/16"×28 L=7	Screw SM3/16"×28 L=7	2
12	13812018	挑线杆防护罩	Thread take-up lever cover	1
13	10122004	针杆曲柄螺孔塞	Rubber plug	1
14	10122005	挑线连杆销螺孔塞	Rubber plug	1
15	10122005	挑线连杆销螺孔塞	Rubber plug	1
16	114S11015	螺钉SM9/64"×40 L=6	Screw SM9/64"×40 L=6	2
17	11419001	割线刀	Knife	1
18	138S05001	螺钉M3 L=12	Screw M3 L=12	2
19	13822001	操作屏孔塞	Rubber plug	2
20	21012018	油封垫	Oil sealing washer	1
21	21022007	油封	Rubber plug	1
22	115022001	后窗板垫	Side plate gasket	1

23	115012001	后窗板	Side plate	1
24	930000263	后窗板(喷漆)	Side plate	1
25	13812109	侧盖固定板	Fixed plate	1
26	S04010	螺钉M4 L=5.5	ScrewM4 L=5.5	1
27	H05002	卡簧3	Circlip 3	1
28	138S30007	侧盖螺钉SM3/16"×28	Screw SM3/16"×28	1
29	113811004	尼龙扎带	Cable band	8
30	115026002	电控罩壳销	Pin	1
31	11433000400	一体机电控组件(众邦)	Electronic components(Z)	1
	11523000900	一体机电控组件(众邦)(+)	Electronic components(Z)(+)	1
32	114S13001	螺栓(内六角)M5 L=20	Screw M5 L=20	3
33	114S30001	螺栓(内六角)M5 L=25	Screw M5 L=25	1
34	W01009	垫圈 5	Washer 5	2
35	114130006	无线通信模块(+)	RF wireless data communication module(+)	1
36	10122007	下轴工艺孔塞	Rubber plug	1
37	11433000500	一体机电控面板组件(众邦)	Control panel(Z)	1
	11523001000	一体机电控面板组件(众邦)(+)	Control panel(Z)(+)	1
38	14322007	橡皮塞(双孔)	Rubber plug	1
39	138S08006	螺钉SM3/16"×28 L=7	Screw SM3/16"×28 L=7	1
40	13810008	小夹线器螺柱	Thread tension post	1
41	13812066	过线板	Thread tension guide plate	1
42	14112017	小夹线板	Thread tension disk	2
43	11227001	小夹线弹簧	Thread tension spring	1
44	141S16019	小夹线器螺母	Thread tension nut	1
45	1411300400	小夹线器组件	Thread tension asm	1
46	11411300200	夹线器组件	Thread tension asm	1
	1411300500	夹线器组件(厚料)	Thread tension asm(H)	1
47	141S16013	夹线螺母	Thread tension nut	1
48	10112007	夹线制动板	Thread disk rotating stopper	1
49	10127002	夹线弹簧	Thread tension spring	1
	11427050	夹线弹簧(厚料)	Thread tension spring A (H)	1
50	14112016	松线板	Disk stopper	1
51	14112015	夹线板	Thread tension disk	2
52	141S30001	夹线螺钉	Thread tension post	1
53	10127001	挑线簧	Thread take-up spring	1
	10127031	挑线簧(厚料)	Thread take-up spring(H)	1
54	10103011	挑线簧调节座	Thread tension base	1
55	10122014	挑线簧调节座O型圈	Rubber ring	1
56	101S15005	螺钉SM9/64"x40 L=5.5	Screw SM9/64"x40 L=5.5	1
57	11326012	松线钉	Tension release pin	1
58	101S11007	螺钉SM11/64"×40 L=6	Screw SM11/64"×40 L=6	2
59	10113004	右线勾	Thread guide right	1
60	101S15010	螺钉SM15/64"×28 L=10.5	Screw SM15/64"×28 L=10.5	1
61	401S16001	螺母SM11/64"×40	Nut SM9/64"x40	1
62	11413011	固定式缓线钩	Thread guide	1
63	101S11002	螺钉SM11/64"×40 L=5.5	Screw SM11/64"×40 L=5.5	1
64	13812019	卷边器座	Ruler stop seat	1
65	207S14007	凹端紧定螺钉 M4 L=6	Screw M4 L=6	1
66	11523000800	电子夹线器组件	Nest less e-device	1
67	104S17002	针板螺钉SM11/64"×40 L=6.5	Screw SM11/64"×40 L=6.5	2
68	13815011	针板(2.0)	Needle plate	1
	11315001	针板(厚料)	Needle plate(H)	1
	10815001	针板(-7)	Needle plate(-7)	1
69	143S12002	底板支柱	Machine head stud	2
70	101S11019	螺钉SM3/32"×56 L=2	Slide plate SM3/32×56 L=2	2
71	10127009	推板簧	Slide plate spring	1
72	10115002	推板	Screw SM3/32"x56 L=2	1
73	101S11026	螺钉SM15/64"×28 L=9	Screw SM15/64"X28 L=9	1

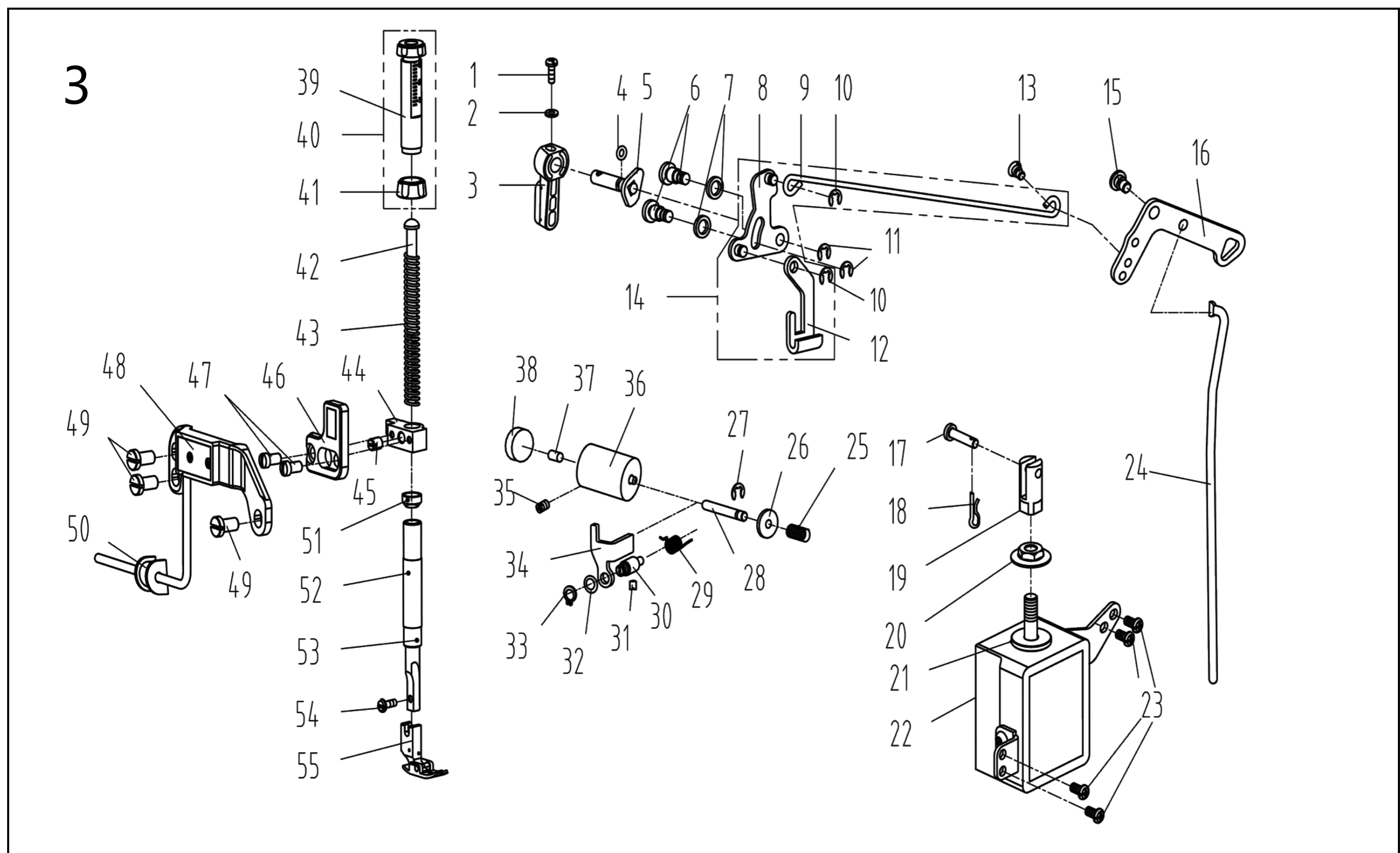
2



2. 上轴、挑线部件/Main Shaft & Thread Take-up Components

序号NO	公司件号	Part NO	名称	PartName	零件描述	Description	数量	Number
1	10126001		挑线连杆销		Thread take-up connecting rod pin		1	
	11326013		挑线连杆销(中厚料)		Thread take-up connecting rod pin (H-M)		1	
2	101S15001		上轮螺钉SM15/64"x28 L=15		Screw SM15/64"x28 L=15		1	
3	11305010		挑线连杆		Thread take-up connecting rod		1	
	10105001		挑线连杆(厚料)		Thread take-up connecting rod (H)		1	
4	11328010		垫片(中厚料)		washer(H-M)		1	
5	H05013		GB/T 896-1986挡圈6(中厚料)		Snap ring 6 (H-M)		1	
6	10112003		针杆曲柄护板		Needle bar crank protecting plate		1	
7	1013800100		挑线杆分组件		Thread take-up lever asm		1	
	1133800200		挑线杆组件(厚料)		Thread take-up lever asm(H)		1	
8	10124001		挑线杆滚针轴承		Needle bearing		2	
9	1011000100		挑线曲柄分部件		Thread take-up crank		1	
	1011000400		挑线曲柄分部件(厚料)		Thread take-up crank(H)		1	
	11310010		挑线曲柄分部件(中厚料)		Thread take-up crank(H-M)		1	
10	10105002		针杆连杆		Needle bar connecting rod		1	
11	101S17001		螺钉SM9/64"×40(左旋) L=4.8		Screw SM9/64"×40(左旋) L=4.8		1	
12	101S15004		螺钉SM9/32"x28 L=16		Screw SM9/32"x28 L=16		1	
13	101S11003		螺钉SM9/32"x28 L=16		Screw SM9/32"x28 L=16		1	
14	10404001		针杆曲柄		Needle bar crank		1	
	11404035		针杆曲柄(厚料)		Needle bar crank(H)		1	
15	101S15002		螺钉SM1/4"x40 L=6		Screw SM1/4"x40 L=6		2	
16	1140300200		上轴前轴套组件		Main shaft bushing front		1	
17	101S15006		螺钉SM15/64"x28 L=7		Screw SM15/64"x28 L=7		1	
18	12203002		主轴中轴套		Main shaft bushing mid		1	
19	101S14001		螺钉SM1/4"×40 L=6		Screw SM1/4"×40 L=6		4	
20	10108001		上轴挡圈		Main shaft thrust collar		2	
21	H03002		挡圈20		Snap ring 20		1	
22	14310001		送料偏心轮		Feed eccentric cam		1	
	115210001		偏心轮 (-H)		Feed eccentric cam(-H)		1	
23	101S11013		螺钉SM1/4"x40 L=13		Screw SM1/4"x40 L=13		2	
24	13803002		上轴后轴套		The rear axle sleeve		1	
25	10122105		上轴后套挡油油封		Oil seal		1	

26	H03001	GB/T894.1-1986挡圈15	Snap ring 15	1
27	115202002	上轴	Main shaft	1
28	115008001	电机防尘套	Motor dust jacket	1
29	S10026	螺钉M3 L=3	Screw M3 L=3	2
30	S10009	螺钉	Screw	2
31	302830	手轮(喷漆)	Handwheel	1
32	95100172	电机罩壳组件(配鲍麦)	Motor cover asm(Power Max)	1
33	95100116	电机光栅组件(配鲍麦)	Motor grating sensor asm(Power Max)	1
34	S09022	内六角平端紧定螺钉M3 L=4	Screw M3 L=4	1
35	S09162	内六角平端紧定螺钉M6 L=6	Screw M6 L=6	1
36	95100182	电机转子总成	Motor rotor	1
37	95100171	电机定子总成	Motor stator	1
38	13811060	电机绝缘防护罩	Motor insulation shield	1
39	W02058	GB 93-1987弹垫d5	Spring washer 5	3
40	S05901	螺钉M5 L=50	Screw M5 L=50	3
41	S09162	内六角平端紧定螺钉M6 L=6	Screw M6 L=8	1
42	S09022	内六角平端紧定螺钉M3 L=4	Screw M3 L=4	1
43	951S15011	螺钉组合件M3 L=12	Screw Asm M3 L=12	5
44	10122012	上轴孔塞	Rubber plug	1
45	114333016	光电伺服电机(众邦)	Motor(Z)	1
46	14112004	防油罩	Oil shield	1
47	14123001	防油罩油棉	Oil cotton	1
48	141S11002	螺钉SM3/16"×28 L=4.5	Screw SM3/16"×28 L=4.5	1



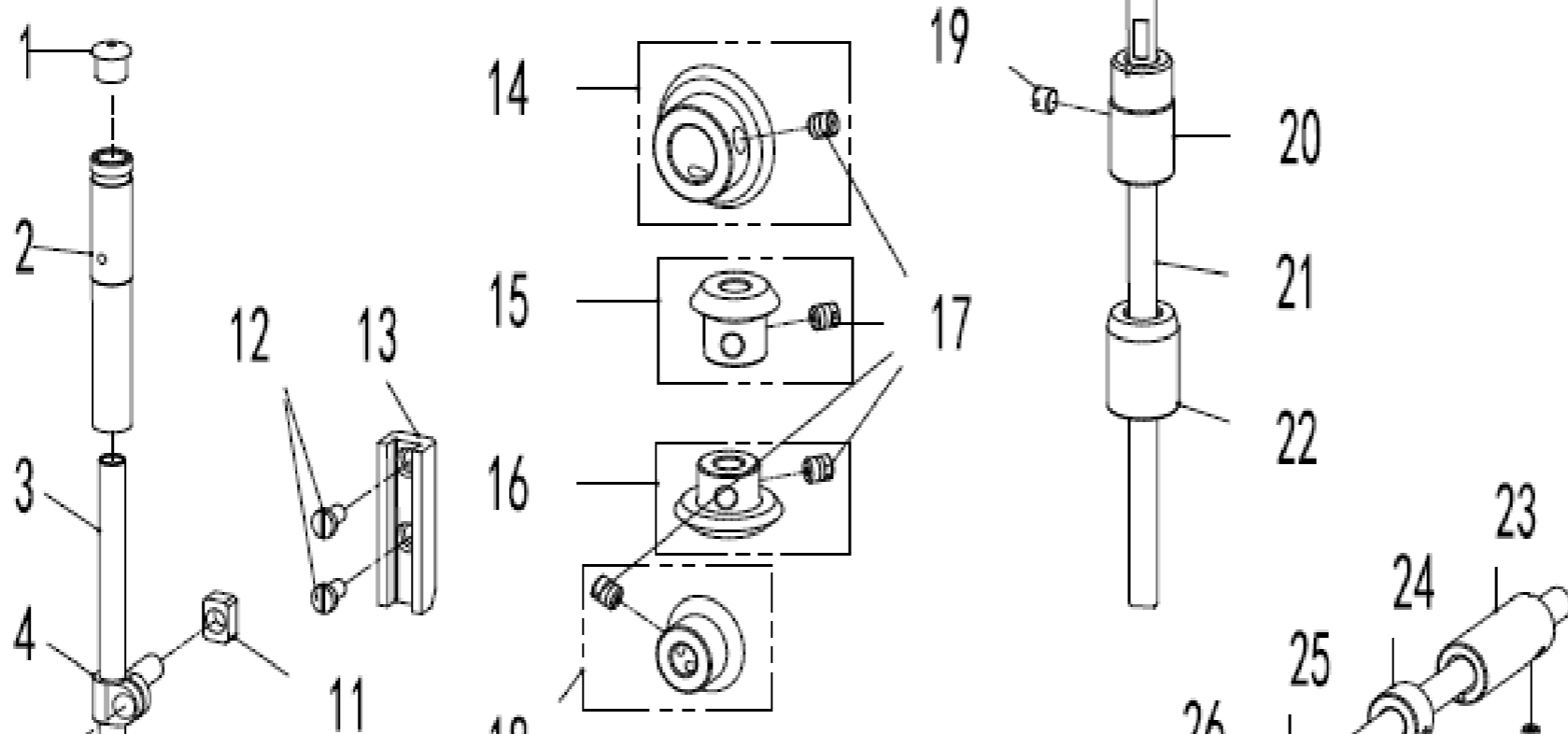
3. 压料、自动抬压脚部件/Presser Bar & Auto Lifter Components (1)

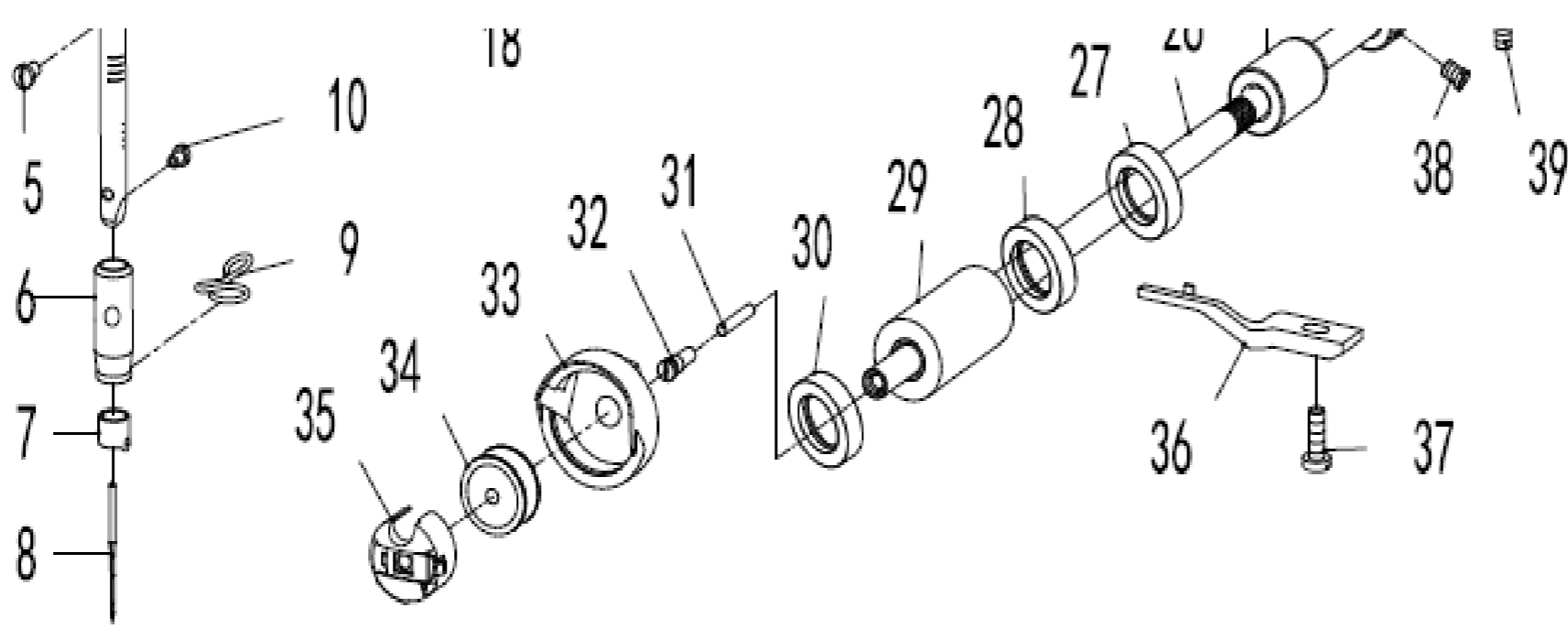
序号NO	公司件号	Part NO	名称	PartName	零件描述	Description	数量	Number
1	101S11010		压脚扳手螺钉SM9/64"x40 L=11		Screw SM9/64"x40 L=11		1	
2	10128002		压脚扳手螺钉垫圈		Washer		1	
3	13811029		压脚扳手		Hand lifter		1	
4	O01004		O型圈		Rubber ring		1	
5	1411000200		压脚扳手凸轮分部件		Hand lifter cam asm.		1	
6	101S20001		前杠杆螺纹销		Screw		2	
7	10128015		螺纹销橡胶垫圈		Washer		2	
8	1411201100		抬压脚前杠杆分部件		Lift front lever component		1	
9	10112013		抬压脚拉杆		Knee lifter pull rod		1	
10	H05003		GB/T896-1986挡圈 5		Snap ring		2	

3. 压料、自动抬压脚部件/Presser Bar & Auto Lifter Components (2)

序号NO	公司件号 Part NO	名称 PartName	零件描述 Description	数量 Number
11	11329020	挡圈 5	Snap ring	2
12	13712004	压脚升降板	Lifting plate	1
13	101S20004	抬压脚拉杆螺钉SM3/16"x32	Hinge Screw SM3/16"x32	1
14	1411200300	抬压脚前杠杆组件	Knee lifter lever asm	1
15	101S20003	后杠杆轴位螺钉SM15/64"x28	Hinge screw SM15/64"x28	1
16	11312034	抬压脚后杠杆	Knee lifter back lever	1
17	11326005	销子	Pin	1
18	113829001	R形弹性开口销φ1.5	Cotter pin	1
19	11326006	电磁铁接头	Solenoid connector	1
20	113S16004	法兰螺母M8	Flange nuts M8	1
21	11322008	电磁铁上垫片	washer	1
22	11493000600	抬压脚电磁铁组件	Solenoid asm.	1
23	101S11001	螺钉SM3/16"×28 L=9	Screw SM3/16"×28 L=9	4
24	114112022	抬压脚顶杆	Knee lifter connecting rod	1
25	10127003	松线辅钉弹簧	Spring	1
26	10128001	松线辅钉垫片	Washer	1
27	H05012	挡圈4 (日标)	Snap ring	1
28	10126003	松线辅钉	Thread release supporting pin	1
29	114127002	松线顶板复位簧	Spring	1
30	115026001	松线顶板连接销	Pin	1
31	138S08006	螺钉SM3/16 "x28 L=7	Screw SM3/16"x28 L=7	1
32	14128001	松线顶板垫片	Loose top gasket	1
33	H03054	GB/T894.1-1986挡圈6	Snap ring 6	1
34	14101017	松线顶板	Wire release plate	1
35	138S08006	螺钉SM3/16 " L=7	Screw SM3/16" L=7	1
36	11413001800	松线电磁铁组件	Solenoid	1
37	12922015	橡皮塞	Spout plug	1
38	114122006	松线油封	Oil seal	1
39	113811018	调压螺钉	Press regulating screw	1
	1138NS30003	调压螺钉(厚料)	Press regulating screw (H)	1
40	11381101800	调压螺钉组件	Presser regulating screw nut asm.	1
41	13811028	调压螺母	Press regulating nut	1
	1138NS16005	调压螺母(厚料)	Press regulating nut(H)	1
42	10102003	调压导杆	Press regulating guide bar	1
43	113827010	调压簧	Press regulating spring	1
	10127024	调压簧(厚料)	Press regulating spring(H)	1
44	10409001	压杆导架	Presser bar guide bracket	1
45	101S15007	螺钉 SM1/4"x40 L=8	Screw SM1/4"x40 L=8	1
46	11493001000	薄厚检测磁铁组件	Thick and thin detection magnet	1
47	114S11015	螺钉SM9/64"×40 L=6	Screw SM9/64"×40 L=6	2
48	11493001100	薄厚检测装置组件	Thickness measuring device	1
49	101S11007	螺钉SM11/64"×40 L=6	Screw SM11/64"×40 L=6	3
50	14322004	厚薄检测橡胶塞	Rubber plug	1
51	10122112	压杆防油套	Pressure bar oil cover	1
52	113803007	压杆衬套	Presser bar bushing,lower	1
53	113802009	压杆	Presser bar	1
54	101S11009	螺钉SM9/64"x40 L=10.5	Screw SM9/64"x40 L=10.5	1
55	1131600600	压脚组件	Presser foot asm	1
	1131600300	压脚组件(厚料)	Presser foot asm(H)	1

4

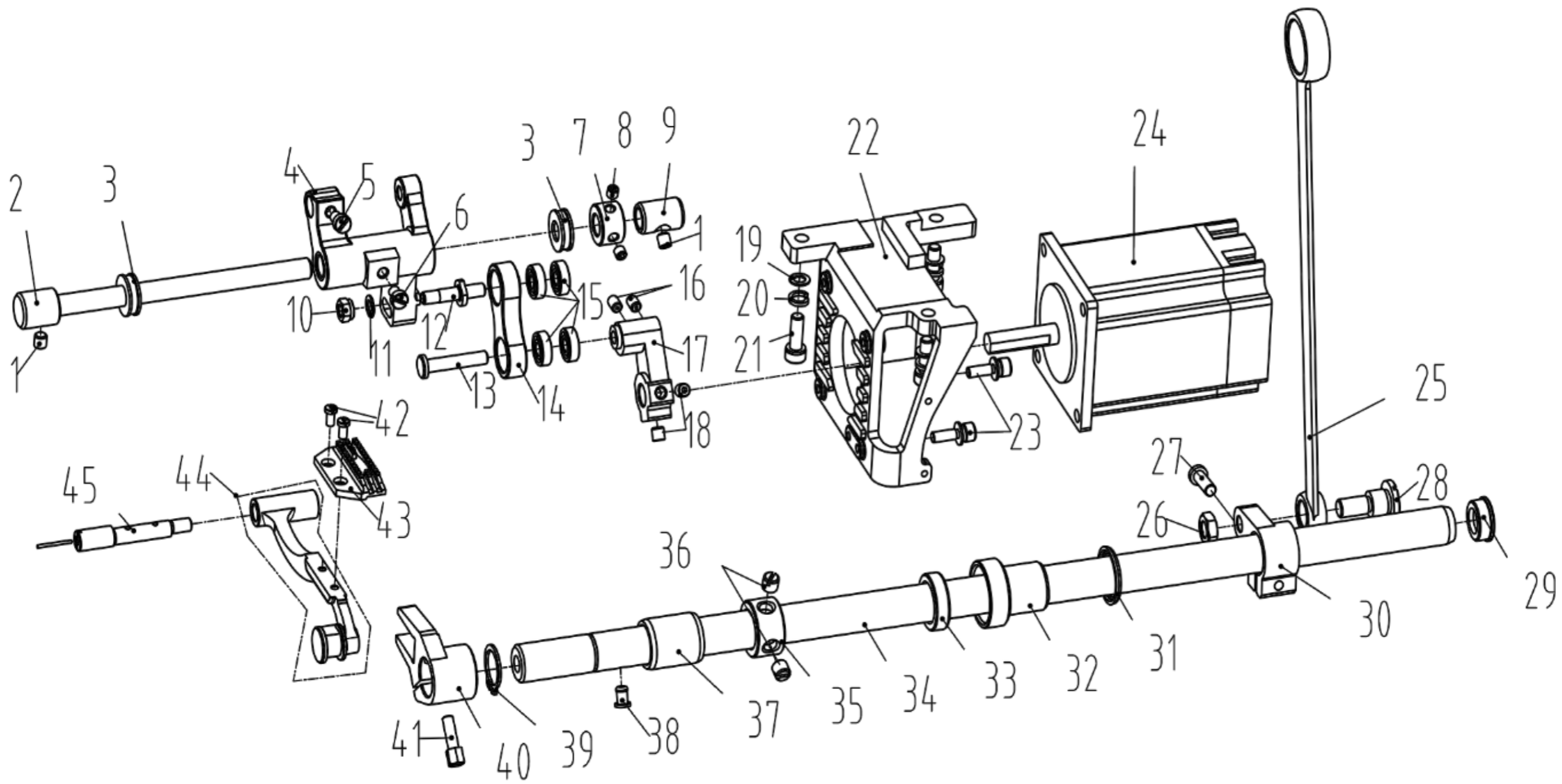




4. 针杆、竖轴、下轴部件/Needle bar & Upright Shaft & Hook Driving Shaft Components

序号NO	公司件号	Part NO	名称	PartName	零件描述	Description	数量	Number
1	10122013		针杆上衬套孔塞		Rubber plug		1	
2	14103009		针杆上衬套		Needle bar bushing upper		1	
	10103009		针杆上衬套(厚料)		Needle bar bushing upper(H)		1	
3	11402039		针杆		Needle bar		1	
	10102021		针杆(厚料)		Needle bar (H)		1	
4	10138002		针杆连接柱		Needle bar connecting rod		1	
5	101S11005		螺钉SM9/64"x40 L=6		Screw SM9/64"x40 L=6		1	
6	10103010		针杆下衬套		Needle bar bushing lower		1	
	11303023		针杆下衬套(厚料)		Needle bar bushing lower(H)		1	
7	10113002		针杆线勾		Needle bar thread guide		1	
	11412063		针杆线勾(厚料)		Needle bar thread guide(H)		1	
8	13817001		机针(定位14#)		Needle		1	
	10117001		机针(14#)		Needle		1	
	10117002		机针DP×5#21(厚料)		Needle(H)		1	
9	10413001		针杆下衬套线勾		Lower bushing thread guide		1	
	10113009		针杆下衬套线勾(厚料)		Lower bushing thread guide(H)		1	
10	104S11006		螺钉(进口) SM1/8"x44 L=4.5		Screw SM1/8"x44 L=4.5		1	
11	10109001		针杆连接柱滑块		Slide block		1	
12	101S11008		螺钉SM11/64"x40 L=8		Screw SM11/64"x40 L=8		2	
13	10109002		针杆接头滑块导轨		Needle bar guide		1	
14	10425004		上轴伞齿轮		Upper shaft bevel gear		1	
15	10425003		竖轴上伞齿轮		Upper small bevel gear asm		1	
16	10425002		竖轴下伞齿轮		Lower large bevel gear asm		1	
17	101S15014		螺钉SM1/4"x40 L=7		Screw SM1/4"x40 L=7		8	
18	10425001		下轴伞齿轮		Hook drive shaft bevel gear		1	
19	113S11036		螺钉SM15/64"x28 L=4.7		Screw SM15/64"x28 L=4.7		1	
20	10403020		竖轴上轴套		Upright shaft bushing upper		1	
21	10102007		竖轴		Upright shaft		1	
22	113803004		竖轴下轴套		Upright shaft bushing lower		1	
23	10403019		下轴后轴套		Hook driving shaft bushing back		1	
24	115008002		下轴挡圈		Hook driving shaft snap ring		1	
25	14003004		下轴中套		Lower shaft middle bushing		1	
26	11304003		下轴		Hook driving shaft		1	
27	11522001		油封组件12		Oil seal 12		1	
28	114122004		下轴前套油封(大)		Oil seal		1	
29	14003001		下轴前轴套组件		Hook driving shaft bushing front		1	
30	1142201600		油封组件		Oil seal		1	
31	13823001		下轴限油芯		Oil wick		1	
32	101S30005		下轴限油螺钉SM3/16"×32		Set screw SM3/16"×32		1	
33	115018001		薄料旋梭(精品)		Hook asm(-C)		1	
	11418002		德盛有尾巴厚料旋梭(方德款)(-CH)		Hook asm (China Desheng) (-CH)		1	
	11418004		广濑厚料旋梭(新)(有尾巴)(厚料)		Hook asm(Hirose)(H)		1	
34	10118003		梭心		Bobbin		1	
35	11218504		梭壳		Bobbin case asm.		1	
36	10112016		旋梭定位钩		Finger postioner		1	
	10112032		旋梭定位钩(厚料)		Finger postioner(H)		1	
37	116S11005		螺钉SM11/64"×40 L=13		Screw SM11/64"×40 L=13		1	
38	101S11012		螺钉SM11/64"×40 L=4.8		Screw SM11/64"×40 L=4.8		2	
39	113S14020		螺钉SM11/64"×40 L=6		Screw SM11/64"×40 L=6		1	

5

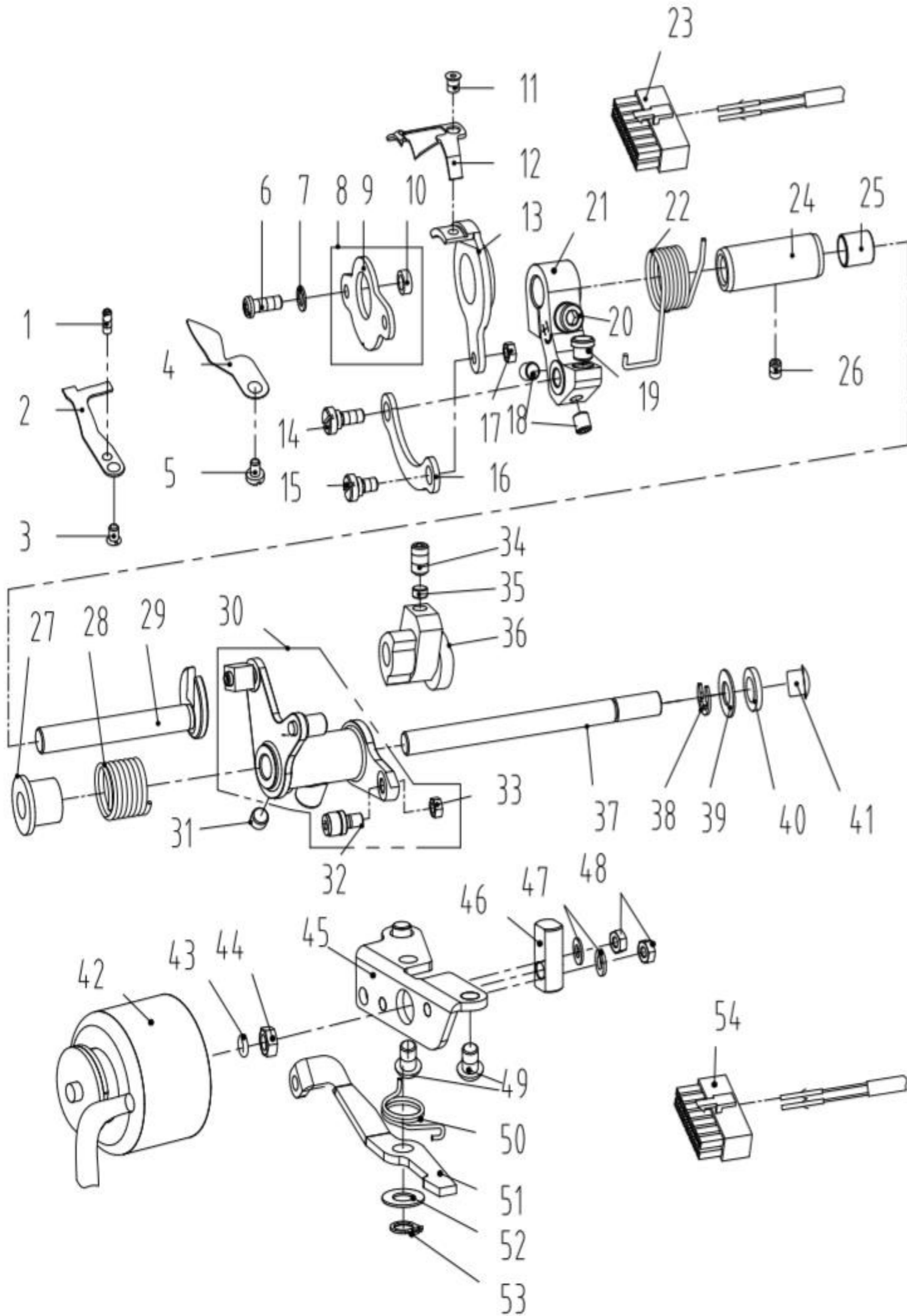


5. 送料部件/Feed Mechanism Components

序号NO	公司件号	Part NO	名称	PartName	零件描述	Description	数量	Number
1	S09019		螺钉M5 L=5		Screw M5 L=5		2	
2	14302001		送料轴		Feed rocker shaft		1	
3	115224001		推力球轴承		Thrust ball bearing		2	
4	11520700100		牙架座组件		Bracket assembly		1	
5	101S11025		螺钉SM11/64"x40 L=7		Screw SM11/64"x40 L=7		1	
6	101S11002		螺钉SM11/64"x40 L=5.5		Screw SM11/64"x40 L=5.5		1	
7	14308002		送料轴挡圈		Feed rocker shaft snap ring		1	
8	209S14008		螺钉SM11/64"×40 L=4.5		Screw SM11/64"×40 L=4.5		2	
9	14303001		送料轴后轴套		Axle sleeve		1	
10	407N01001		自锁螺母M5		Nut M5		1	
11	30228008		垫圈		Washer		1	
12	115226002		送料传动销		Feed drive pin		1	
13	14326001		送料曲柄连接销		Feed crank connecting pin		1	
14	14305001		送料连杆		Rocker shaft connecting rod		1	
15	B04020		GB/278轴承695ZZ		bearing		4	
16	209S14008		螺钉SM11/64"x40 L=4.5		Screw SM11/64"x40 L=4.5		2	
17	14304001		送料曲柄		Feed rocker shaft crank		1	
18	S09019		螺钉M5 L=5		Screw M5 L=5		2	
19	10128003		牙架座螺钉垫圈		Washer		3	
20	W03002		弹簧垫圈 5		Spring washer 5		3	
21	114S13001		螺栓(内六角)M5 L=20		Screw M5 L=20		3	
22	115201004		电机安装支架		Motor mounting bracket		1	
23	417S30034		螺栓(带垫圈)M4×14		Bolt (with washer)M4X14		4	
24	115233004		步进电机		Stepper motor		1	
25	400093		抬牙连杆		Connecting rod		1	
26	101S16003		抬牙连杆轴位螺母 SM9/32"x28		Hinge Screw SM9/32"x28		1	
27	101S11016		螺钉SM3/16"x28 L=14		Screw SM3/16"x28 L=14		1	
28	101S20005		抬牙连杆轴位螺钉 SM9/32"x28		Hinge Screw SM9/32"x28		1	
29	114022002		橡皮塞15.5		Rubber plug 15.5		1	
30	10104004		抬牙后曲柄		Feed driving shaft crank		1	
31	114022001		送料轴后轴套密封圈		Rubber ring		1	

32	14003002	送料轴后轴套	Axle sleeve	1
33	1142200800	油封组件22	Oil seal	1
34	14402007	抬牙轴	Feed driving shaft	1
35	10108003	送料轴挡圈	Feed rocker shaft snap ring	1
36	101S15002	螺钉SM1/4"x40 L=6	Screw SM1/4"x40 L=6	2
37	10403015	轴套	Bushing	1
38	14022008	送料轴油线孔塞	Plug	1
39	H03001	GB/T894.1-1986挡圈 15	Snap ring 15	1
40	10104003	抬牙叉形曲柄	Driving shaft crank	1
41	1138NS30004	螺钉SM11/64"x40 L=10.5	Screw SM11/64"x40 L=10.5	1
42	101S11018	螺钉 SM1/8"x44 L=6	Screw SM1/8"x44 L=6	2
43	13814005	送料牙	Feed dog	1
44	11520700300	牙架组件	Feed bar asm.	1
	11520700400	牙架组件 (H)	Feed bar asm.	1
45	11226001	牙架销	Feed bar pin	1

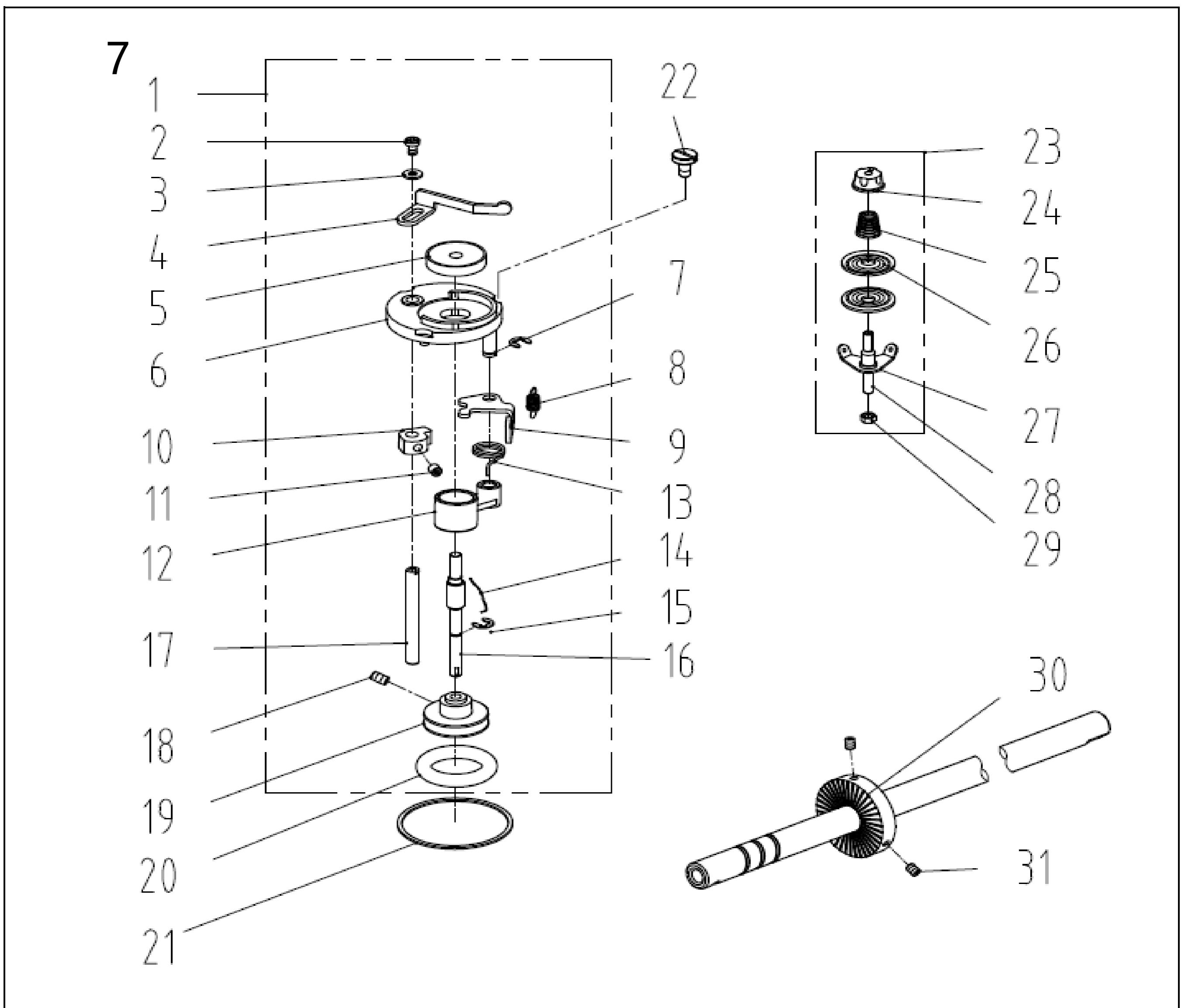
6



6. 切线部件/Thread Trimmer Components

序号NO	公司件号	Part NO	名称	PartName	零件描述	Description	数量	Number
1	113S15002		螺钉SM1/8"x44 L=9.5		Screw SM1/8"x44 L=9.5		1	
2	115019001		定刀		Secant knife		1	
3	113S17001		螺钉SM9/64"x40		Screw SM9/64"x40		1	
4	11312003		护针片		Needle guard patch		1	
5	201S11009		螺钉SM9/64"x40 L=5.5		Screw SM9/64"x40 L=5.5		1	
6	113S11001		螺钉SM11/64"x40 L=12		Screw SM11/64"x40 L=12		2	
7	10128003		牙架座螺钉垫圈		Washer		2	

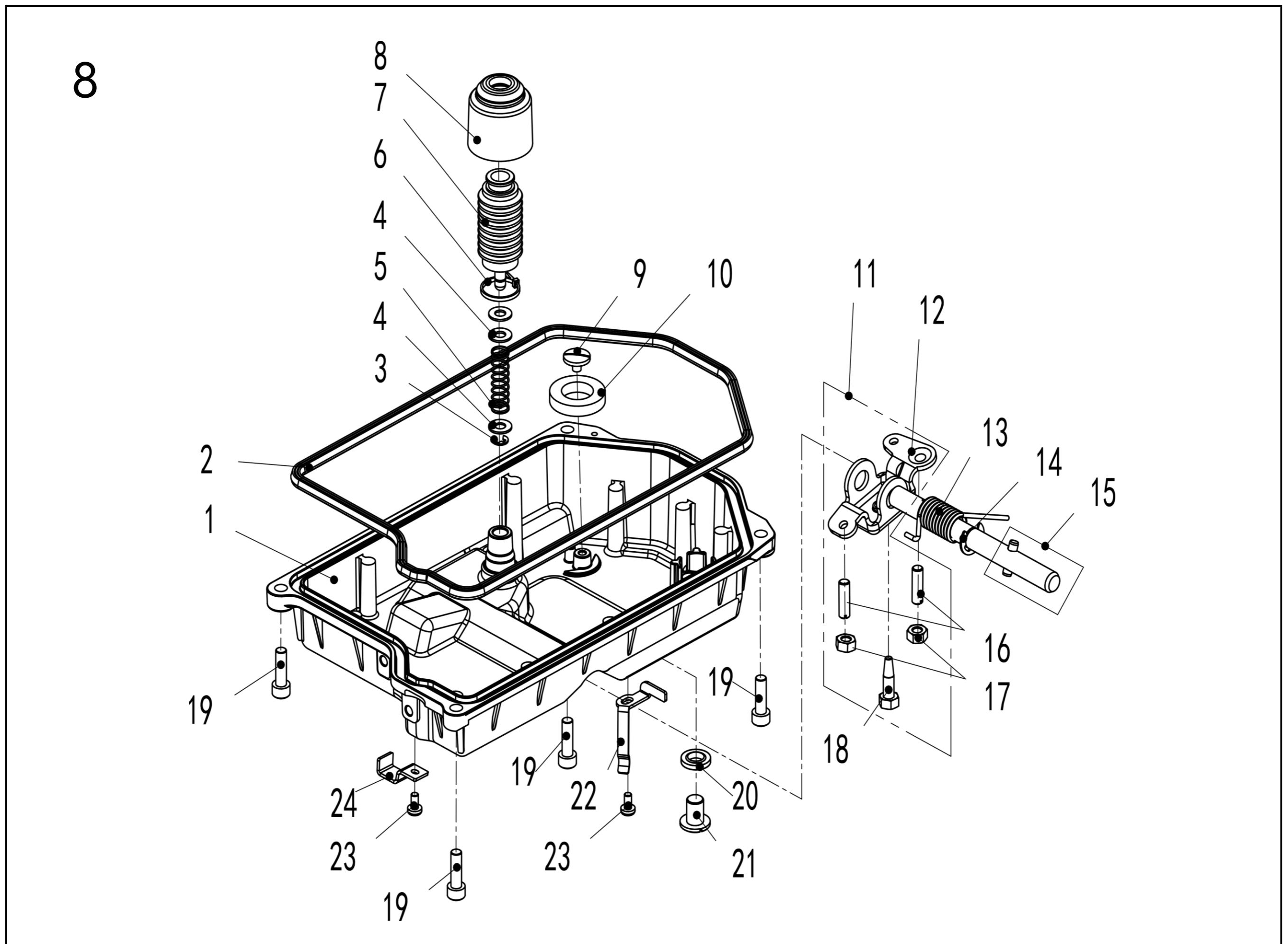
8	115212005	刀架压板组件	Knife bracket press component	1
9	115212001	刀架压板	Eccentric connecting rod	1
10	11303012	短套	Short bushing	2
11	113S17002	螺钉SM11/64"x40 L=4.4	Screw SM11/64"x40 L=4.4	2
12	14019004	活动刀(薄料短槽)	Motorial knife(FOR THE NO BIRD'S NEST Components)	1
	114119002	活动刀(厚料短槽)	Motorial knife(H)	1
13	115219001	剪线刀架	Knife bracket	1
14	115226001	剪线连杆偏心销	Eccentric pin of thread cutting link	1
15	113S20001	连杆螺钉SM11/64"x40	Hinge Screw SM11/64"x40	1
16	114112013	连杆	Connecting rod	1
17	114S16004	螺母SM11/64"x40	Nut SM11/64"x40	1
18	S09019	螺钉M5 L=5	Screw M5 L=5	2
19	115222001	驱动曲柄止动块	Crank driver stopper block	1
20	S05004	螺钉M5 L=14	Screw M5 L=14	1
21	115204001	切线曲柄	Crank	1
22	115227002	剪线复位簧	Spring	1
23	11230004	18孔接线器	Plug	1
24	11303003	切线轴套	Thread cutting shaft bushing	1
25	11503005	驱动曲柄轴衬套	Crank drive shaft bushing	1
26	113S14020	螺钉SM11/64"x40 L=6	Screw SM11/64"x40 L=6	1
27	11322002	扭簧端盖	Spring cover	1
28	11327002	弹簧	Spring	1
29	11304002	切线凸轮曲柄轴	Crank shaft	1
30	1400400100	剪线驱动组件	Thread trimmer drive asm.	1
31	101S14001	螺钉SM1/4"x40 L=6	Screw SM1/4"x40 L=6	1
32	11324001	滚柱	Roolling pin	1
33	1138NS16001	螺母SM11/64"x40	Nut SM11/64"x40	1
34	116S14005	螺钉SM1/4"x40 L=10	Screw SM1/4"x40 L=10	2
35	11309030	凸轮顶柱	Push rod	2
36	114110002	剪线凸轮	Cam	1
	11310011	剪线凸轮(厚料)	Cam(H)	1
37	14002004	切线驱动轴	Shaft	1
38	H05013	GB/T896-1986挡圈6	Snap ring 6	1
39	10112003	针杆曲柄护板	Cunter weight protecting	1
40	11322003	电磁铁缓冲片	Solenoid cushion rubber	1
41	14022013	孔塞8.5	spout plug 8.5	1
42	1413003400	剪线电磁铁组件	Thread trimmer solenoid asm.	1
43	113822005	电磁铁橡胶垫	Washer	1
44	112S16006	螺母SM1/4"X40	Nut SM1/4"X40	1
45	1401200200	切线电磁铁支架组件	Bracket	1
46	11309001	切线电磁铁顶销	Solenoid pin	1
47	W02018	GB/T93-1987弹簧垫圈 4	Washer	2
48	N01005	螺母 M4	Nut M4	2
49	S17002	螺钉M6 L=10	Screw M6 L=10	2
50	11327001	弹簧	Spring	1
51	14112022	切线杠杆	Tangent lever	1
52	10112003	针杆曲柄护板	Needle bar crank protecting plate	1
53	H03015	GB/T894.1 卡簧8	Ring 8	1
54	11230004	12孔接线器	Plug	1



7. 绕线部件/ Bobbin Components

序号NO	公司件号	Part NO	名称	PartName	零件描述	Description	数量	Number
1	1383103900		绕线器组件		Bobbin winder asm		1	
2	114S11008		螺钉M4 L=6		Screw M4 L=6		1	
3	W01142		垫圈4		Washer 4		1	
4	10113030		压线控制板		Thread press control plate		1	
5	10111120		绕线衬垫		Winding pad		1	
6	13831101		绕线器装置主座		Bobbin winder bed		1	
7	H05006		开口挡圈5		Snap ring 5		1	
8	10127061		复位板拉簧		Spring		1	
9	13812110		调节板		Regulating plate		1	
10	10110030		绕线凸轮		Bobbin winder cam		1	
11	S09045		螺钉M5 L=5		Screw M5 L=5		1	
12	1380510600		绕线器连杆组件		Bobbin winder connecting rod		1	
13	13827103		满线复位簧		spring		1	
14	10127060		弹簧		Spring		1	
15	GB/T 896-1986		开口挡圈4		Snap ring 4		1	
16	13802111		绕线器主轴		Bobbin winder mian shaft		1	
17	13802026		绕线凸轮轴		Bobbin winder cam shaft		1	
18	S09103		螺钉M4 L=4		Screw M4 L=4		2	
19	13831102		绕线轮		Bobbin winder wheel		1	
20	O01110		O型圈		Ring		1	
21	11422062		密封垫		Washer		1	
22	114S11003		螺钉SM3/16"×28 L=10		Screw SM3/16"×28 L=10		3	
23	1411300600		底线夹线器		Bobbin thread tension asm		1	
24	141S16019		夹线螺母		Thread tension nut		1	
25	11427006		小夹线弹簧		Spring		1	
26	14112015		夹线板		Thread tension disk		2	
27	11413022		夹线过线板		Thread tension guide plate		1	

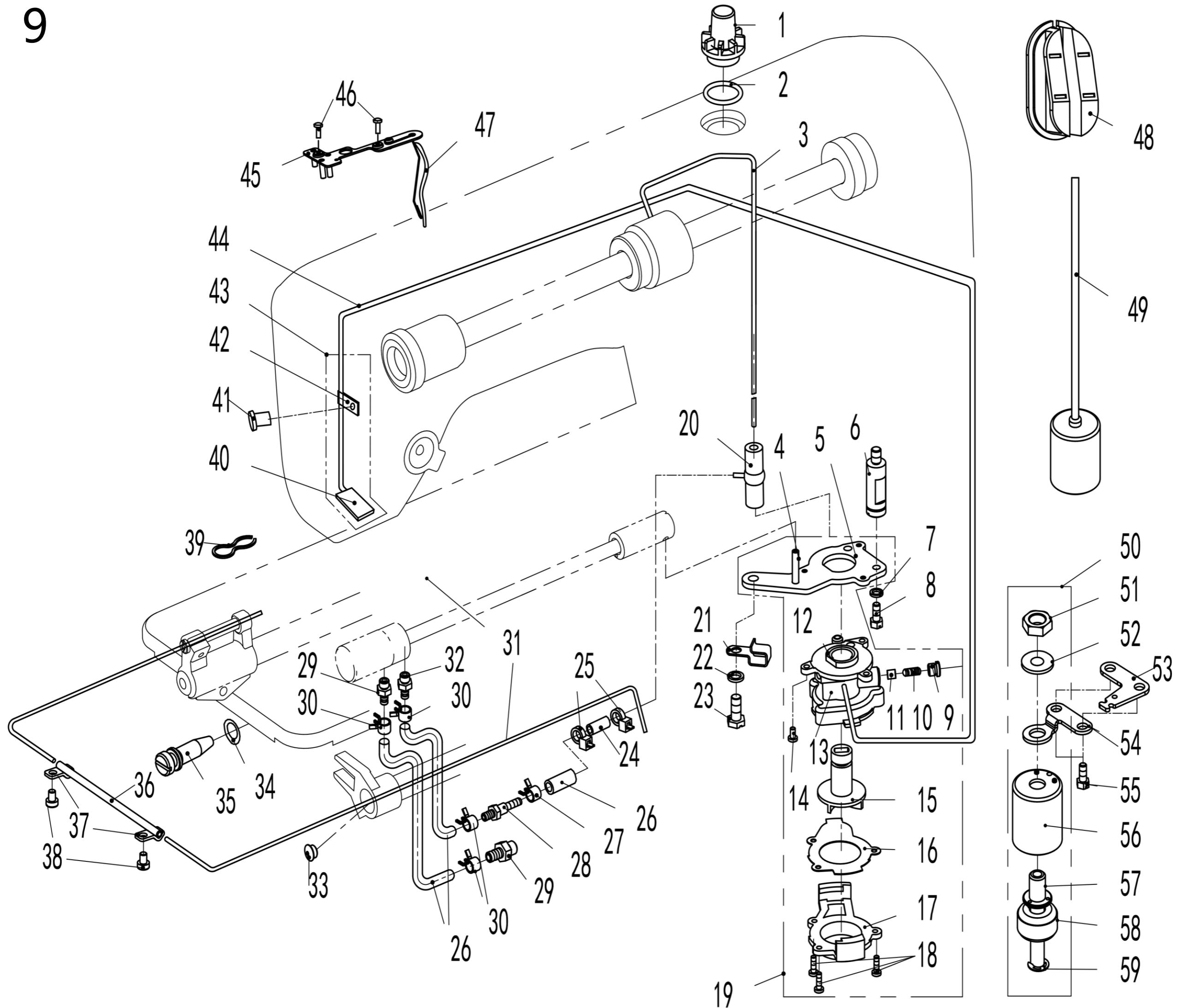
28	112S13004	夹线螺钉	Screw	1
29	114S16001	螺母SM11/64"×40	Nut SM11/64"×40	1
30	11435013	绕线器驱动轮	Driving wheel	1
31	S10009	螺钉M6 L=8	Screw M6 L=8	2



8. 油盘、膝抬压脚部件/Oil Reservoir & Knee Lifter Components

序号NO	公司件号	Part NO	名称	PartName	零件描述	Description	数量	Number
1	115201007		油盘		Oil reservoir		1	
2	14022001		油盘密封垫		Seal		1	
3	H05012		开口挡圈4(日标)		Snap ring 4		1	
4	40128013		垫圈 6.2×13×1		washer 6.2×13×1		2	
5	14327002		顶帽弹簧		Knee lifter push rod Spring		1	
6	113811004		尼龙扎带		Cable band		1	
7	114111012		顶帽组件		Knee lifter push rod		1	
8	114122009		顶帽防护帽		Knee lifter push rod hat		1	
9	101S11023		螺钉SM3/16"×28 L=6.5		Screw SM3/16"×28 L=6.5		1	
10	10131001		油盘磁铁		Oil reservoir magnet		1	
11	1401202700		抬压脚双向曲柄组件		Lifting foot bidirectional crank asm.		1	
12	10112027		抬压脚双向曲柄		Knee lifter crank		1	
13	14027016		双向曲柄扭簧		Knee lifter spring		1	
14	H05010		挡圈9		Snap ring 9		1	
15	1400200100		抬压脚轴组件		Knee lifter shaft		1	
16	S07020		螺钉M6 L=20		Screw M6 L=20		2	
17	101S16004		螺母M6		Nut M6		2	
18	101S12002		螺钉M6 L=24.5		Screw M6 L=24.5		1	
19	S05240		螺钉M6 L=20		Screw M6 L=20		4	
20	20528014		油盘放油垫圈		Ring		1	
21	301S11015		螺钉SM3/8"×28 L=13		Screw SM3/8"×28 L=13		1	
22	115212002		后电线压板		Wire clamp		1	
23	113S11004		螺钉M4 L=8		Screw M4 L=8		2	
24	115212003		前电线压板		Wire clamp		1	

9

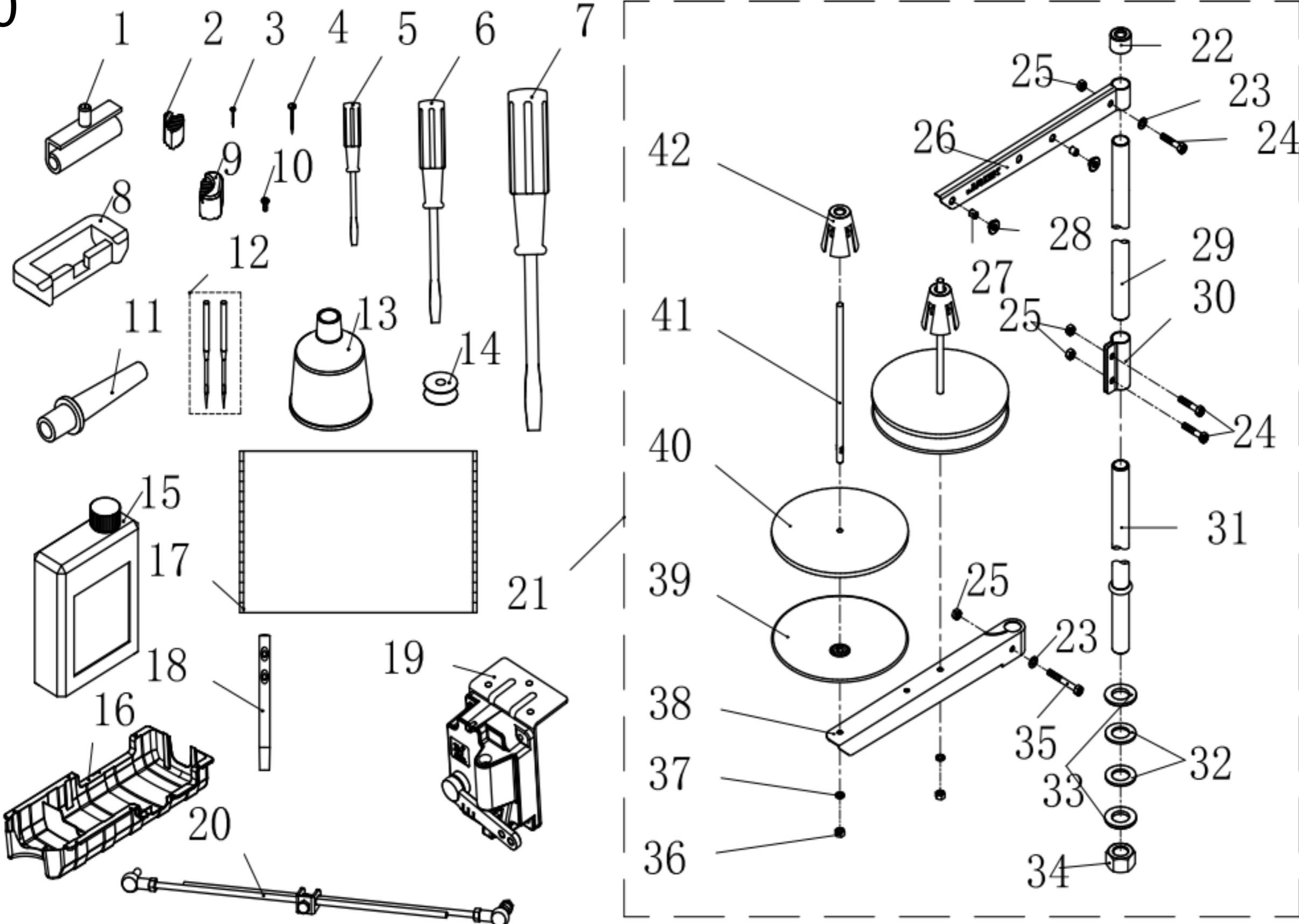


9. 润滑、油量检测部件/Oil Lubrication & Oil Measuring Components

序号NO	公司件号	Part NO	名称	PartName	零件描述	Description	数量	Number
1	11211004		油窗		Oil sight window		1	
2	10122019		油窗O形圈		Rubber ring		1	
3	14121001		上轴供油管		Main shaft oil tube		1	
4	10121001		下轴供油管		Hook driving shaft oil tube		1	
5	10112020		油泵安装板		Oil pump installing base		1	
6	101S30008		油泵连接螺柱		Oil pump connecting stud		1	
7	W03002		弹垫		Spring washer		1	
8	209S12001		螺钉SM11/64"×40 L=10.5		Screw SM11/64"×40 L=10.5		1	
9	101S30007		螺钉M7X0.75 L=5		Screw M7X0.75 L=5		1	
10	10127013		柱塞簧		Plunger spring		1	
11	10122018		回油柱塞		Plunger		1	
12	10103022		油泵体衬套		Oil pump bushing		1	
13	10120001		油泵体		Oil pump		1	
14	S04093		螺钉M3 L=6		Screw M3 L=6		3	
15	10111003		油泵叶轮		Oil pump impeller		1	
16	10112021		油泵叶轮托板		Oil pump impeller cover		1	
17	10111007		油泵盖		Lubricating oil pump cover		1	
18	101S30006		螺钉ST2.9 L=10		Screw ST2.9 L=10		3	
19	1012000100		油泵组件		Lubricating oil pump component		1	
20	10136001		供油管接头		Rubber joint		1	
21	14112007		过线勾		Thread hook		1	
22	W02004		GB/T93-1987弹垫M6		Spring Washer M6		1	
23	116S30003		螺钉SM15/64"×28 L=14.5		Screw SM15/64"×28 L=14.5		1	
24	14021003		铝油管		Aluminum tubing		1	
25	113811004		尼龙扎带		Cable band		2	
26	14021001		PVC油管		Tubing		0.4mm	

27	30129007	油管卡簧	Oil pipe clamp spring	1
28	14036004	油盘油嘴	Oil nozzle	1
29	14036002	回油嘴	Oil nozzle	2
30	20429001	油管卡簧	Oil pipe clamp spring	4
31	10123010	油线	Oil wick	1.5
32	14036003	供油嘴	Oil nozzle	1
33	14022003	送料轴前孔塞	Spout plug	1
34	14022011	O型圈	Rubber ring	1
35	140S30001	油量调节螺钉	Oil volume adjusting screw	1
36	115221001	铝油管	Aluminum tubing	1
37	115212004	铝油管压板	Aluminum tubing pressing plate	2
38	S04010	螺钉M4 L=5.5	ScrewM4 L=5.5	2
39	10127015	回油毡夹	Oil felt clamp	1
40	10123006	回油毡	Oil felt felt	1
41	101S11004	螺钉SM3/16"×28 L=7	Screw SM3/16"×28 L=7	1
42	10112023	回油管夹	Oil tube clamp	1
43	10121007	回油管组件	Oil return tube component	1
44	10121008	回油管	Oil return tube	1
45	10112025	油线固定板	Oil wick fixing plate	1
46	101S11010	螺钉SM9/64"×40 L=11	Screw SM9/64"×40 L=11	2
47	10123010	油线	Oil wick	0.5
48	13811015	油窗	Oil window	1
49	11412200200	油标组件	Buoy	1
50	11523000400	油量检测装置组件	Oil measuring device	1
51	140S16001	螺母	Nut	1
52	14028001	弹性垫圈	Washer	1
53	13812081	拉簧固定板	Spring fixing plate	1
54	14012006	油量检测装置固定板	Pull spring fixing plate	1
55	101S11026	螺钉SM15/64"×28 L=9	Screw SM15/64"×28 L=9	2
56	14011004	油量检测罩壳	Shell	1
57	14002005	导向支柱	Guide pillar	1
58	11493000700-02	浮子	Float	1
59	H05040	开口挡圈6	Ring 6	1

10



10. 机头附件/Machine Head Accessories

序号 NO	公司件号 Part NO	名称 PartName	零件描述 Description	数量 Number
1	1011203100	机头连接钩部件	Hinge component	2
2	14022022	机头座垫	Die cushion	2
3	101S30010	机头连接钩座钉P19	Nail P19	2
4	1141NS30001	机头连接钩座钉P25	Nail P25	4
5	10131004	螺丝刀 (小)	Screw driver,small	1
6	10131003	螺丝刀 (中)	Screw driver,medium	1
7	20731047	螺丝刀 (大)	Screw driver,large	1
8	10122060	机头连接钩座	Head connecting rubber cushion	2
9	14022023	机头支架	Nose support	2
10	101S30014	螺钉M4 L=20	Wood screw M4 L=20	6
11	115011003	机头支柱	Machine head rest pin	1
12	13817001	机针	Needle	4
	10117001	机针 (定位14#)	Needle	4
	10117002	机针DP×5#21 (厚料)	Needle(H)	4
13	20131039	漏斗	Funnel	1
14	10118003	梭芯	Bobbin	1
15	1381101200	油壶组件	Oiler component	1
16	115211001	油盘托盘	Disk tray	1
17	114131001	防尘罩	Dust cover	1
18	11212001	过线柱	Crossing post	1
19	10130044	塑壳调速器(平缝A2)	Moulded case governor (flat seam A2)	1
20	20730335	拉杆	pull rod	1
21	1383100300	线架组件	Thread stand asm.	1
22	20131019	线架杆顶防护橡皮	Spool rest rod rubber cap	1
23	W01047	平垫圈5	Washer 5	2
24	S04050	螺栓M5 L=16	Screw M5 L=16	1
25	N01034	螺母M5	Nut M5	4
26	13831022	上线架过线杆	Spool rest arm upper	1
27	10113011	过线圈 (内)	Thread guide ring	2
28	10113010	过线圈 (外)	Thread guide ring	2
29	13831019	线架杆上节	Spool rest rod upper	1
30	13831021	线架杆接头	Spool rest rod joint	1
31	13831020	线架杆下节	Spool rest rod lower	1
32	10122106	橡胶垫圈	Spool rest rod rubber ring	2
33	W01052	平垫圈16	Washer 16	2
34	N02004	螺母M16×1.5	Nut M16×1.5	1
35	S04051	螺栓M5 L=31.5	Screw M5 L=31.5	1
36	N01034	螺母M5	Nut M5	2
37	W03002	弹簧垫圈 5	Spring washer 5	2
38	13831023	下线架过线杆	Spool rest arm lower	1
39	13831024	线盘	Spool rest	2
40	20131010	线盘垫	Spool rest cushion	2
41	20131006	线托棒	Spool pin	2
42	13831025	线团防松垫	Spool retainer	2

公司地址(Address of Company) :

中国浙江省台州市椒江区三甲东海大道东段1008号

NO.1008 , DONGHAI AVENUE EAST, JIAOJIANG DISTRICT,TAIZHOU CITY , ZHEJIANG

邮编(Zip Code): 318000

国内销售部(Domestic Trade Department):

电话(TEL): 0086-0576-88177788 88177789

传真(FAX): 0086-0576-88177758

国贸部(International Trade Department):

电话(TEL): 0086-0576-88177782 88177774

传真(FAX): 0086-0576-88177787

服务热线: 400-8876858

http://www.chinajack.com

资料如有更改, 恕不另行通知, 以实物为准。

You will be not informed if the file has been revised.Please set sample as standard.



www.chinajack.com

