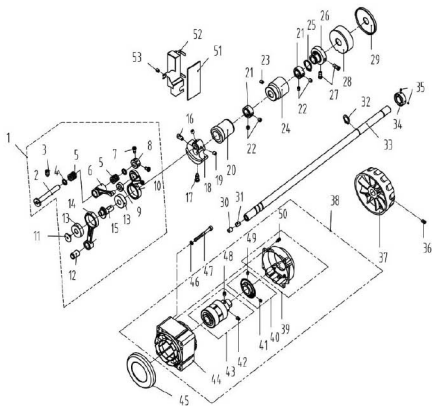


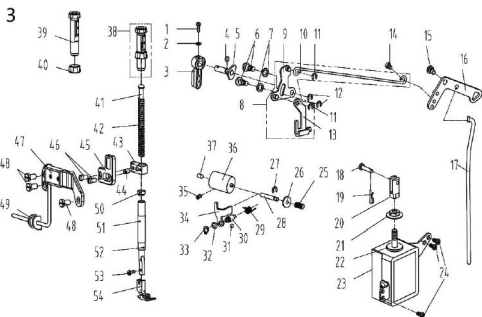
1. 机壳、外装部件/Machine Frame & Miscellaneous Cover Components

序号 NO	公司件号 Part NO	名称 PartName	零件描述 Description	数量 Number
1	101511001	螺钉SM3/16"×28 L=9	Screw SM3/16"×28 L=9	15
2	10122003	面板调节孔螺塞	Rubber plug	2
3	115037001	面板商标牌	Head card	1
4	930000734	面板(喷漆)	Face plate asm	1
5	115201008	面板	Face plate asm	1
6	101511007	螺钉SM11/64"×40 L=6	Screw SM11/64"×40 L=6	2
7	13813005	左线钩	Thread guide left	1
8	14322006	面板垫	Face plate gasket	1
9	S10007	螺钉M4 L=4	Screw M4 L=4	2
10	101511004	螺钉SM3/16"×28 L=7	Screw SM3/16"×28 L=7	2
11	11523001400	倒顺开关组件(三开关)	Three switch components	1
12	101511026	螺钉SM15/64"×28 L=9	Screw SM15/64"×28 L=9	1
13	13812018	挑线杆防护罩	Thread take-up lever cover	1
14	13822001	操作屏孔塞	Rubber plug	3
15	10122004	针杆曲柄螺孔塞	Rubber plug	1
16	10122005	挑线连杆螺孔塞	Rubber plug	2
17	114511015	螺钉SM9/64"×40 L=6	Screw SM9/64"×40 L=6	2
18	11419001	割线刀	Knife	1
19	138505001	螺钉M3 L=12	Screw M3 L=12	2
20	21012018	油封垫	Oil sealing washer	1
21	21022007	油封	Rubber plug	1
22	14112008	防油板	Oil preventing plate	1
23	14123002	防油板油棉	Oil cotton	2
24	141511001	开槽圆柱头螺钉SM3/16"×28	Screw SM3/16"×28 L=9.5	1
25	114922003	后盖板垫	Side plate gasket	1
26	114912001	后盖板	Side plate	1
27	930000236	后盖板(喷漆)	Side plate	1
28	13812109	侧盖固定板	Fixed plate	1
29	S04010	螺钉M4 L=5.5	Screw M4 L=5.5	1
30	H05002	卡簧3	Circlip 3	1
31	138530007	侧盖螺钉SM3/16"×28	Screw SM3/16"×28	1
32	113811004	尼龙扎带	Cable band	8
33	115026002	电控罩壳销	Pin	1
34	11523001900	一体机电控组件(众邦)(+)	Electronic components(Z)(+)	1
35	114513001	螺栓(内六角)M5 L=20	Screw M5 L=20	3
36	114530001	螺栓(内六角)M5 L=25	Screw M5 L=25	1
37	W01009	垫圈 5	Washer 5	2
38	114130006	无线通信模块	RF wireless data communication modul	1
39	10122007	下轴工艺孔塞	Rubber plug	1
40	11523001500	一体机电控面板组件(众邦)(+)	Control panel(Z)(+)	1
41	138508006	螺钉SM3/16"×28 L=7	Screw SM3/16"×28 L=7	1
42	13810008	小夹线器螺柱	Thread tension post	1
43	13812066	过线板	Thread tension guide plate	1
44	14112017	小夹线板	Thread tension disk	2
45	11227001	小夹线弹簧	Thread tension spring	1
46	141516019	小夹线器螺母	Thread tension nut	1
47	1411300400	小夹线器组件	Thread tension asm	1
48	11411300200	夹线器组件	Thread tension asm	1
	1411300500	夹线器组件(厚料)	Thread tension asm(H)	1
49	141516013	夹线螺母	Thread tension nut	1
50	10112007	夹线制动板	Thread disk rotating stopper	1
	10127002	夹线弹簧	Thread tension spring	1
51	11427050	夹线弹簧(厚料)	Thread tension spring A (H)	1
52	14112016	松线板	Disk stopper	1
53	14112015	夹线板	Thread tension disk	2
54	141530001	夹线螺钉	Thread tension post	1
	10127001	挑线簧	Thread take-up spring	1
55	10127031	挑线簧(厚料)	Thread take-up spring(H)	1
56	10103011	挑线簧调节座	Thread tension base	1
57	10122014	挑线簧调节座O型圈	Rubber ring	1
58	101515005	螺钉SM9/64"×40 L=5.5	Screw SM9/64"×40 L=5.5	1
59	11326012	松线钉	Tension release pin	1
60	11493000300	电子夹线器组件	Nest less e-device	1
61	207514007	凹端固定螺钉 M4 L=6	Screw M4 L=6	1
62	14322007	橡皮塞(双孔)	Rubber plug	1
63	101511007	螺钉SM11/64"×40 L=6	Screw SM11/64"×40 L=6	2
64	10113004	右线钩	Thread guide right	1
65	101515010	螺钉SM15/64"×28 L=10.5	Screw SM15/64"×28 L=10.5	1
66	401516001	螺母SM11/64"×40	Nut SM9/64"×40	1
67	11413011	固定式导线钩	Thread guide	1
68	101511002	螺钉SM11/64"×40 L=5.5	Screw SM11/64"×40 L=5.5	1
69	13812019	卷边器座	Ruler stop seat	1
	13815011	针板(2.0)	Needle plate	1
70	11315001	针板(厚料)	Needle plate(H)	1
	10815001	针板(-7)	Needle plate(-7)	1
71	104S17002	针板螺钉SM11/64"×40 L=6.5	Screw SM11/64"×40 L=6.5	2
72	143512002	底板支柱	Machine head stud	2
73	101511019	螺钉SM3/32"×56 L=2	Slide plate SM3/32"×56 L=2	2
74	10127009	推板簧	Slide plate spring	1
75	10115002	推板	Screw SM3/32"×56 L=2	1



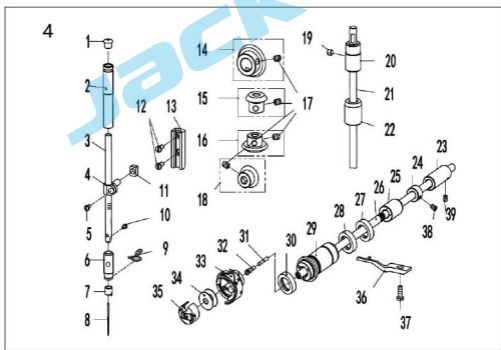
2. 上轴、挑线部件/Main Shaft & Thread Take-up Components

序号NO	公司件号	Part NO	名称	PartName	零件描述	Description	数量	Number
1	1413800100		挑线组件		Thread take-up asm		1	
2	1143800500		挑线组件 (厚料)		Thread take-up asm (H)		1	
3	11426001		挑线连杆柄		Thread take-up asm		1	
4	101515001		螺钉SM15/64"x28 L=15		Screw SM15/64"x28 L=15		1	
5	11411005		轴承支撑挡圈		snap ring		2	
6	B08003		GB/T5801-1986滚针轴承K7x10x10		Bearing support		2	
7	11438004		挑线杆		Thread take-up connecting rod		1	
8	114514002		螺钉SM11/64"x40 L=4		Screw SM11/64"x40 L=4		2	
9	11408002		挡圈		snap ring		1	
10	B01013		GB/T 276-1994轴承605-ZZ		Bearing		1	
11	11438003		挑线杆		Thread take-up lever		1	
12	11438006		挑线杆 (厚料)		Thread take-up lever (H)		1	
13	101517001		螺钉SM9/64"x40 (左旋) L=4.8		Screw SM9/64"x40 (left hand) L=4.8		1	
14	12203004		针杆连杆铜套		needle-bar rod copper sleeve		1	
15	B01014		GB/T 276-1994轴承608-ZZ		Bearing		2	
16	11438002		针杆连杆		needle bar connecting rod		1	
17	11402007		挑线曲柄		Needle bar crand		1	
18	11402042		挑线曲柄 (厚料)		Needle bar crand (H)		1	
19	101515004		针杆曲柄固定螺钉SM9/32"x28 L=16		Screw SM9/32"x28 L=16		1	
20	101511003		针杆曲柄定位螺钉SM9/32"x28 L=16		Screw SM9/32"x28 L=16		1	
21	14104004		针杆曲柄		Needle bar crank		1	
22	101515002		送料轴挡圈螺钉SM1/4"x40 L=6		Screw SM1/4"x40 L=6		2	
23	1410300200		上轴前轴套组件		Main shaft bushing front		1	
24	10108001		上轴挡圈		Main shaft thrust collar		2	
25	101514001		上轴中套挡圈螺钉		Screw		4	
26	101515006		主线轴螺钉SM15/64"x28 L=7		Screw SM15/64"x28 L=7		1	
27	12203002		主轴中轴套		Main shaft bushing mid		1	
28	H03002		挡圈20		Snap ring 20		1	
29	14310001		送料偏心轮		Feed eccentric cam		1	
30	115210001		偏心轮 (-H)		Feed eccentric cam(-H)		1	
31	101511013		送料偏心轮螺钉 SM1/4"x40 L=13		Screw SM1/4"x40 L=13		2	
32	13803002		上轴后轴套		The rear axle sleeve		1	
33	10122105		上轴后套挡油封		Oil seal		1	
34	10122012		上轴孔塞		Rubber plug		1	
35	14123006		上轴堵塞		Rubber plug		1	
36	H03001		GB/T894.1-1986挡圈15		Snap ring 15		1	
37	115202003		上轴		Main shaft		1	
38	115008001		电机防尘套		Motor dust jacket		1	
39	S10026		螺钉M3 L=3		Screw M3 L=3		2	
40	S10009		螺钉		Screw		2	
41	302830		手轮(喷漆)		Handwheel		1	
42	114333016		光电伺服电机(众邦)		Motor(Z)		1	
43	95100172		电机罩壳组件		Motor cover asm		1	
44	95100116		电机光栅组件		Motor grating sensor asm		1	
45	S09022		螺钉M3 L=4		Screw M3 L=4		1	
46	S09162		内六角平端紧定螺钉M6 L=6		Screw M6 L=6		1	
47	95100182		电机转子总成		Motor rotor		1	
48	95100171		电机定子总成		Motor stator		1	
49	13811060		电机绝缘防护罩		Motor insulation shield		1	
50	W02058		GB 93-1987弹垫d5		Spring washer 5		3	
51	S05901		螺钉M5 L=50		Screw M5 L=50		3	
52	S09162		内六角平端紧定螺钉M6 L=6		Screw M6 L=6		1	
53	S09022		螺钉M3 L=4		Screw M3 L=4		1	
54	951515011		螺钉组合件M3 L=12		Screw asm M3 L=12		5	
55	14123001		防油罩油棉		Oil cotton		1	
56	14112004		防油罩		Oil shield		1	
57	141511002		圆柱头螺钉SM3/16"x28 L=4.5		Screw SM3/16"x28 L=4.5		1	



3 压料、自动抬压脚部件/Presser Bar & Auto Lifter Components

序号NO	公司件号	Part NO	名称	PartName	零件描述	Description	数量	Number
1	101S11010		压脚扳手螺钉SM9/64"x40 L=11		Screw SM9/64"x40 L=11		1	
2	10128002		压脚扳手螺钉垫圈		Washer		1	
3	13811029		压脚扳手		Hand lifter		1	
4	O01004		O型圈		Rubber ring		1	
5	1411000200		压脚手凸轮分部件		Hand lifter cam asm.		1	
6	101S20001		前杠杆螺栓垫圈		Screw		2	
7	10128015		螺栓销橡胶垫圈		Washer		2	
8	1431201200		抬压脚前杠杆组件		Knee lifter lever asm		1	
9	1411201100		抬压脚前杠杆分部件		Lift front lever component		1	
10	14312012		抬压脚杠杆		Knee lifter pull rod		1	
11	H05003		GB/T896-1986挡圈 5		Snap ring		2	
12	11329020		挡圈 5		Snap ring		3	
13	14112018		压脚升降板		Lifting plate		1	
14	101S20004		抬压脚拉杠螺钉SM3/16"x32		Hinge Screw SM3/16"x32		1	
15	101S20003		后杠杆轴位螺钉SM15/64"x28		Hinge screw SM15/64"x28		1	
16	11312034		抬压脚后杠杆		Knee lifter back lever		1	
17	114112022		抬压脚顶杆		Knee lifter connecting rod		1	
18	11326005		销子		Pin		1	
19	113829001		R形弹性开口销φ1.5		Cotter pin		1	
20	11326006		电磁铁接头		Solenoid connector		1	
21	113S16004		法兰螺母M8		Flange nuts M8		1	
22	11322008		电磁铁上垫片		washer		1	
23	11493000600		抬压脚电磁铁组件		Solenoid asm.		1	
24	101S11001		螺钉SM3/16"x28 L=9		Screw SM3/16"x28 L=9		3	
25	10127003		松线轴钉弹簧		Spring		1	
26	10128001		松线轴钉垫片		Washer		1	
27	H05012		挡圈4 (日标)		Snap ring		1	
28	10126003		松线轴钉		Thread release supporting pin		1	
29	114127002		松线顶板复位簧		Spring		1	
30	115026001		松线顶板连接销		Pin		1	
31	138S08006		螺钉SM3/16 "x28 L=7		Screw SM3/16 "x28 L=7		1	
32	14128001		松线顶板垫片		Loose top gasket		1	
33	H03054		GB/T894.1-1986挡圈6		Snap ring 6		1	
34	14101017		松线顶板		Wire release plate		1	
35	138S08006		螺钉SM3/16 " L=7		Screw SM3/16 " L=7		1	
36	11463000300		松线电磁铁组件		Solenoid		1	
37	12922015		橡皮塞		Spout plug		1	
38	11381101800		调压螺钉组件		Presser regulating screw nut asm.		1	
39	113811018		调压螺钉		Press regulating screw		1	
	1138NS30003		调压螺钉(厚料)		Press regulating screw (H)		1	
40	13811028		调压螺母		Press regulating nut		1	
	1138NS16005		调压螺母(厚料)		Press regulating nut(H)		1	
41	10102003		调压导杆		Press regulating guide bar		1	
	113827010		调压簧		Press regulating spring		1	
42	10127024		调压簧(厚料)		Press regulating spring(H)		1	
43	10409001		压杆导架		Presser bar guide bracket		1	
44	101S15007		螺钉 SM1/4"x40 L=8		Screw SM1/4"x40 L=8		1	
45	11493001000		薄厚检测磁铁组件		Thick and thin detection magnet		1	
46	114S11015		螺钉SM9/64"x40 L=6		Screw SM9/64"x40 L=6		2	
47	11493001100		薄厚检测装置组件		Thickness measuring device		1	
48	101S11007		螺钉SM11/64"x40 L=6		Screw SM11/64"x40 L=6		3	
49	14322004		薄厚检测橡胶塞		Rubber plug		1	
50	10122112		压杆防油塞		Pressure bar oil cover		1	
51	14103012		压杆衬套		Presser bar bushing,lower		1	
52	11402009		压杆		Presser bar		1	
53	101S11009		螺钉SM9/64"x40 L=10.5		Screw SM9/64"x40 L=10.5		1	
	1131600600		压脚组件		Presser foot asm		1	
54	1131600300		压脚组件(厚料)		Presser foot asm(H)		1	

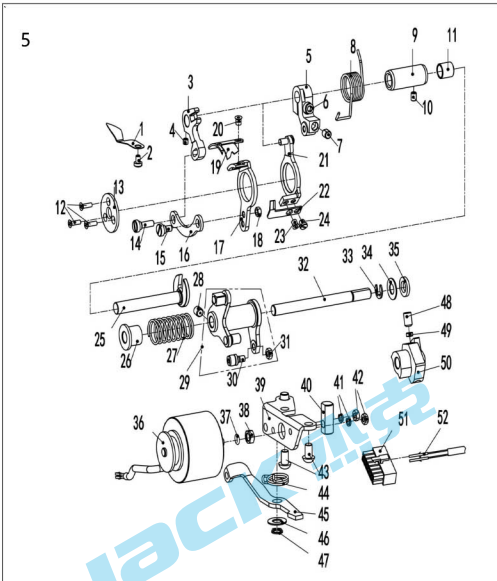


4.1 针杆、竖轴、下轴部件/Needle bar & Upright Shaft & Hook Driving Shaft Components

序号NO	公司件号	Part NO	名称	PartName	零件描述	Description	数量	Number
1	10122013		针杆上衬套孔塞		Rubber plug		1	
2	14103009		针杆上衬套		Needle bar bushing upper		1	
	10103009		针杆上衬套(厚料)		Needle bar bushing upper(H)		1	
3	11402034		针杆		Needle bar		1	
	10102021		针杆(厚料)		Needle bar (H)		1	
4	14104007		针杆连接柱		Needle bar connecting rod		1	
5	101S11005		螺钉SM9/64"x40 L=6		Screw SM9/64"x40 L=6		1	
6	14103010		针杆下衬套		Needle bar bushing lower		1	
	14103011		针杆下衬套(厚料)		Needle bar bushing lower(H)		1	
7	10113002		针杆线勾		Needle bar thread guide		1	
	11412063		针杆线勾(厚料)		Needle bar thread guide(H)		1	
8	10117001		机针DB×1 14#(日本凤琴)		Needle		1	
	10117002		机针DP×5#21(厚料)		Needle(H)		1	
	10413001		针杆下衬套线勾		Lower bushing thread guide		1	
	10113009		针杆下衬套线勾(厚料)		Lower bushing thread guide(H)		1	
10	104S11006		螺钉(进口) SM1/8"x44 L=4.5		Screw SM1/8"x44 L=4.5		1	
11	10109001		针杆连接柱滑块		Slide block		1	
12	101S11008		螺钉SM11/64"x40 L=8		Screw SM11/64"x40 L=8		2	
13	14109001		针杆接头滑块导轨		Needle bar guide		1	
14	10425004		上轴伞齿轮		Upper shaft bevel gear		1	
15	10425003		竖轴上伞齿轮		Upper small bevel gear asm		1	
16	10425002		竖轴下伞齿轮		Lower large bevel gear asm		1	
17	101S15014		螺钉SM1/4"x40 L=7		Screw SM1/4"x40 L=7		8	
18	10425001		下轴伞齿轮		Hook drive shaft bevel gear		1	
19	113S11036		螺钉SM15/64"x28 L=4.7		Screw SM15/64"x28 L=4.7		1	
20	10403020		竖轴上轴套		Upright shaft bushing upper		1	
21	10102007		竖轴		Upright shaft		1	
22	113803004		竖轴下轴套		Upright shaft bushing lower		1	
23	10403019		下轴后轴套		Hook driving shaft bushing back		1	
24	115008002		下轴挡圈		Hook driving shaft snap ring		1	
25	14003004		下轴中套		Lower shaft middle bushing		1	
26	14402003		下轴		Hook driving shaft		1	

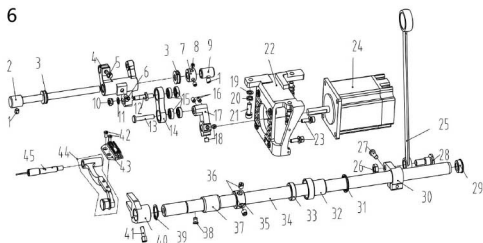
4.2 针杆、竖轴、下轴部件/Needle bar & Upright Shaft & Hook Driving Shaft Components

序号NO	公司件号	Part NO	名称	PartName	零件描述	Description	数量	Number
27	11522001		油封组件12		Oil seal 12		1	
28	114122004		下轴前套油封(大)		Oil seal		1	
29	14103004		下轴前轴套组件		Hook driving shaft bushing front		1	
30	11522001		油封组件12		Oil seal 12		1	
31	13823001		下轴限油芯		Oil limiter		1	
32	101530005		下轴限油螺钉SM3/16"×32		Set screw SM3/16"×32		1	
33	115018001		薄料旋梭(精品)		Hook asm(-C)		1	
	11418002		德盛有尾巴厚料旋梭(方德款) (-CH)		Hook asm (China Desheng) (-CH)		1	
	11418004		广溯厚料旋梭(新)(有尾巴)(厚料)		Hook asm(Hirose)(H)		1	
	11418003		广溯中厚料旋梭(扩大缝切范围)		Hook asm (Hirose)		1	
34	10118003		梭心		Bobbin		1	
35	11218504		梭壳		Bobbin case asm.		1	
36	10112016		旋梭定位钩		Finger postioner		1	
	10112032		旋梭定位钩(厚料)		Finger postioner(H)		1	
37	116511005		螺钉SM11/64"×40 L=13		Screw SM11/64"×40 L=13		1	
38	101511012		螺钉SM11/64"×40 L=4.8		Screw SM11/64"×40 L=4.8		2	
39	113514020		螺钉SM11/64"×40 L=6		Screw SM11/64"×40 L=6		1	



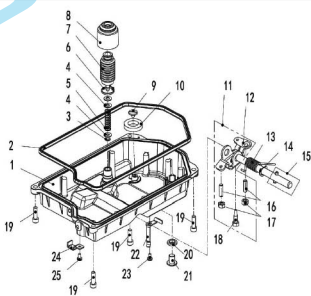
5. 切线部件/Thread Trimmer Components

序号NO	公司件号	Part NO	名称	PartName	零件描述	Description	数量	Number
1	14112001		分线片		Needle guard patch		1	
2	201511009		螺钉SM9/64"×40 L=5.5		Screw SM9/64"×40 L=5.5		1	
3	14304003		剪线轴柄		Crank		1	
4	S10007		螺钉M4 L=4		Screw M4 L=4		1	
5	14304002		剪线轴柄		Crank		1	
6	S05004		螺钉M5 L=14		Screw M5 L=14		1	
7	115222001		驱动轴柄止动块		Crank driver stopper block		1	
8	14327001		剪线复位簧		Spring		1	
9	14103003		切线轴套		Thread cutting shaft bushing		1	
10	113514020		螺钉SM11/64"×40 L=6		Screw SM11/64"×40 L=6		1	
11	11503005		驱动轴柄轴衬套		Crank drive shaft bushing		1	
12	114517001		螺钉M3 L=8.5		Screw M3 L=8.5		3	
13	14112005		刀架压板		Eccentric connecting rod		1	
14	141520002		剪线轴柄轴衬套螺钉SM11/64"×40		Screw		1	
15	113520001		连杆螺钉SM11/64"×40		Hinge Screw SM11/64"×40		1	
16	14312005		连杆		Connecting rod		1	
17	14307002		剪线刀架		Knife bracket		1	
18	114516004		螺母SM11/64"×40		Nut SM11/64"×40		1	
19	14119001		活动刀		Motorial knife		1	
20	113517002		螺钉SM11/64"×40 L=4.4		Screw SM11/64"×40 L=4.4		2	
21	1410700200		剪线轴柄刀架组件		Knife bracket		1	
22	14119005		辅助动刀(厚料)		Knife (H)		1	
23	113517002		螺钉SM11/64"×40 L=4.4		Screw SM11/64"×40 L=4.4		1	
24	131501002		螺钉SM11/64"×40 L=4		Screw SM11/64"×40 L=4		1	
25	14104002		切线凸轮轴衬套		Crank shaft		1	
26	11322002		扭簧端盖		Spring cover		1	
27	11327002		弹簧		Spring		1	
28	101514001		螺钉SM1/4"×40 L=6		Screw SM1/4"×40 L=6		1	
29	1400400100		剪线驱动组件		Thread trimmer drive asm.		1	
30	11324001		滚柱		Rolling pin		1	
31	1138N516007		驱动组件螺母		Nut SM11/64"×40		1	
32	14002004		切线驱动轴		Shaft		1	
33	H05013		GB/T896-1986挡圈6		Snap ring 6		1	
34	10112003		针杆轴柄护板		Cunter weight protecting		1	
35	11322003		电磁铁缓冲片		Solenoid cushion rubber		1	
36	11523001800		剪线电磁铁组件		Thread trimmer solenoid asm.		1	
37	113822005		电磁铁橡胶垫		Washer		1	
38	112516006		螺母SM1/4"×40		Nut SM1/4"×40		1	
39	1401200200		切线电磁铁支架组件		Bracket		1	
40	11309001		切线电磁铁顶销		Solenoid pin		1	
41	W02018		GB/T93-1987弹簧垫圈 4		Washer		2	
42	N01005		螺母 M4		Nut M4		2	
43	S17002		螺钉M6 L=10		Screw M6 L=10		2	
44	14127003		弹簧		Spring		1	
45	14012001		切线杆		Tangent lever		1	
46	10112003		针杆轴柄护板		Needle bar crank protecting plate		1	
47	H03015		GB/T894.1-卡簧8		Ring 8		1	
48	116514005		螺钉SM1/4"×40 L=10		Screw SM1/4"×40 L=10		2	
49	11309030		凸轮顶柱		Push rod		1	
50	114110002		剪线凸轮		Cam		1	
51	14130001		12孔接线器		Plug		1	
52	11230005		电线插针		Pin		2	



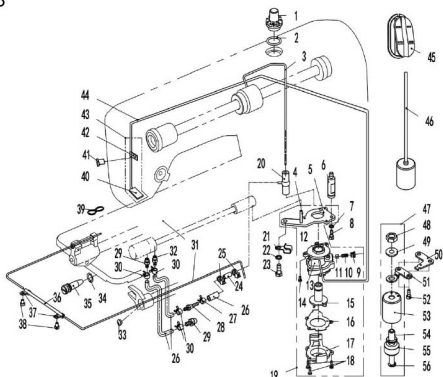
6. 送料部件/Feed Mechanism Components

序号NO	公司件号	Part NO	名称	PartName	零件描述	Description	数量	Number
1	S09019		螺钉M5 L=5		Screw M5 L=5		2	
2	14302001		送料轴		Feed rocker shaft		1	
3	115224001		推力球轴承		Thrust ball bearing		2	
4	11520700300		牙架座组件		Bracket assembly		1	
5	101S11025		螺钉SM11/64"x40 L=7		Screw SM11/64"x40 L=7		1	
6	101S11002		螺钉SM11/64"x40 L=5.5		Screw SM11/64"x40 L=5.5		1	
7	14308002		送料轴挡圈		Feed rocker shaft snap ring		1	
8	209S14008		螺钉SM11/64"x40 L=4.5		Screw SM11/64"x40 L=4.5		2	
9	14303001		送料轴后轴套		Axle sleeve		1	
10	407N01001		自锁螺母M5		Nut M5		1	
11	30228003		垫圈		Washer		1	
12	115226002		送料传动销		Feed drive pin		1	
13	14326001		送料曲柄连接销		Feed crank connecting pin		1	
14	14305001		送料连杆		Rocker shaft connecting rod		1	
15	B04020		GB/278轴承695ZZ		bearing		4	
16	209S14008		螺钉SM11/64"x40 L=4.5		Screw SM11/64"x40 L=4.5		2	
17	14304001		送料曲柄		Feed rocker shaft crank		1	
18	S09019		螺钉M5 L=5		Screw M5 L=5		2	
19	10128003		牙架座螺钉垫圈		Washer		3	
20	W03002		弹簧垫圈 5		Spring washer 5		3	
21	114S13001		螺钉(内六角)M5 L=20		Screw M5 L=20		3	
22	115201004		电机安装支架		Motor mounting bracket		1	
23	417S30034		螺栓(带垫圈)M4x14		Bolt (with washer)M4x14		4	
24	115233004		步进电机		Stepper motor		1	
25	400093		拾牙连杆		Connecting rod		1	
26	101S16003		拾牙连杆轴位螺母 SM9/32"x28		Hinge Screw SM9/32"x28		1	
27	101S11016		螺钉SM3/16"x28 L=14		Screw SM3/16"x28 L=14		1	
28	101S20005		拾牙连杆轴位螺钉 SM9/32"x28		Hinge Screw SM9/32"x28		1	
29	114022002		橡皮塞15.5		Rubber plug 15.5		1	
30	10104004		拾牙后曲柄		Feed driving shaft crank		1	
31	114022001		送料轴后轴套密封圈		Rubber ring		1	
32	14003002		送料轴后轴套		Axle sleeve		1	
33	1142200800		油封组件22		Oil seal		1	
34	14402007		拾牙轴		Feed driving shaft		1	
35	10108003		送料轴挡圈		Feed rocker shaft snap ring		1	
36	101S15002		螺钉SM1/4"x40 L=6		Screw SM1/4"x40 L=6		2	
37	10403015		轴套		Bushing		1	
38	14022008		送料轴油线孔塞		Plug		1	
39	H03001		GB/T894.1-1986挡圈 15		Snap ring 15		1	
40	10104003		拾牙叉形曲柄		Driving shaft crank		1	
41	1138NS30004		螺钉SM11/64"x40 L=10.5		Screw SM11/64"x40 L=10.5		1	
42	101S11018		螺钉 SM1/8"x44 L=6		Screw SM1/8"x44 L=6		2	
43	13814005		送料牙		Feed dog		1	
44	11520700300		牙架组件		Feed bar asm.		1	
45	11226001		牙架销		Feed bar pin		1	



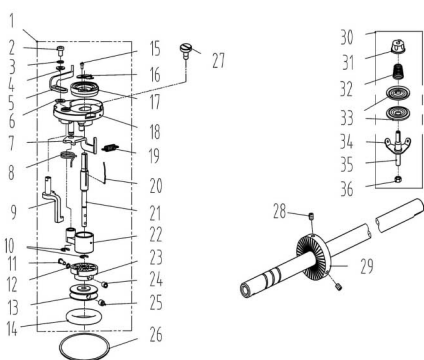
7. 油盘、膝抬压脚部件/Oil Ceservoir & Knee Lifter Components

序号NO	公司件号	Part NO	名称	PartName	零件描述	Description	数量	Number
1	115201007		油盘		Oil reservoir		1	
2	14022001		油盘密封垫		Seal		1	
3	H05012		开口挡圈4(白标)		Snap ring 4		1	
4	40128013		垫圈 6.2x13x1		washer 6.2x13x1		2	
5	14327002		顶帽弹簧		Knee lifter push rod Spring		1	
6	113811004		尼龙扎带		Cable band		1	
7	114111012		顶帽组件		Knee lifter push rod		1	
8	114122009		顶帽防护帽		Knee lifter push rod hat		1	
9	101S11023		螺钉SM3/16"x28 L=6.5		Screw SM3/16"x28 L=6.5		1	
10	10131001		油盘磁铁		Oil reservoir magnet		1	
11	1401202700		抬压脚双向曲柄组件		Lifting foot bidirectional crank asm.		1	
12	10112027		抬压脚双向曲柄		Knee lifter crank		1	
13	14027016		双向曲柄扭簧		Knee lifter spring		1	
14	H05010		挡圈9		Snap ring 9		1	
15	1400200100		抬压脚轴组件		Knee lifter shaft		1	
16	S07020		螺钉M6 L=20		Screw M6 L=20		2	
17	101S16004		螺母M6		Nut M6		2	
18	101S12002		螺钉M6 L=24.5		Screw M6 L=24.5		1	
19	S05240		螺钉M6 L=20		Screw M6 L=20		4	
20	20528014		油盘放油轮圈		Ring		1	
21	301S11015		螺钉SM3/8"x28 L=13		Screw SM3/8"x28 L=13		1	
22	115212002		后电线压板		Wire clamp		1	
23	113S11004		螺钉M4 L=8		Screw M4 L=8		1	
24	115212003		前电线压板		Wire clamp		1	
25	S04010		螺钉M4 L=5.5		Screw M4 L=5.5		1	



8. 润滑、油量检测部件/Oil Lubrication & Oil Measuring Components

序号NO	公司件号	Part NO	名称	PartName	零件描述	Description	数量	Number
1	11211004		视窗		Oil sight window		1	
2	10122019		视窗O形圈		Rubber ring		1	
3	14121001		上轴供油管		Main shaft oil tube		1	
4	10121001		下轴供油管		Hook driving shaft oil tube		1	
5	10112020		油泵安装板		Oil pump installing base		1	
6	101530008		油泵连接螺柱		Oil pump connecting stud		1	
7	W03002		弹垫		Spring washer		1	
8	209512001		螺钉SM11/64"×40 L=10.5		Screw SM11/64"×40 L=10.5		1	
9	101530007		螺钉M7X0.75 L=5		Screw M7X0.75 L=5		1	
10	10127013		柱塞簧		Plunger spring		1	
11	10122018		回油柱塞		Plunger		1	
12	10103022		油泵体衬套		Oil pump bushing		1	
13	10120001		油泵体		Oil pump		1	
14	S04093		螺钉M3 L=6		Screw M3 L=6		3	
15	10111003		油泵叶轮		Oil pump impeller		1	
16	10112021		油泵叶轮托板		Oil pump impeller cover		1	
17	10111007		油泵盖		Lubricating oil pump cover		1	
18	101530006		螺钉ST2.9 L=10		Screw ST2.9 L=10		3	
19	1012000100		油泵组件		Lubricating oil pump component		1	
20	10136001		供油管接头		Rubber joint		1	
21	14112007		过线勾		Thread hook		1	
22	W02004		GB/T93-1987弹垫M6		Spring Washer M6		1	
23	116530003		螺钉SM15/64"×28 L=14.5		Screw SM15/64"×28 L=14.5		1	
24	14021003		铝油管		Aluminum tubing		1	
25	113811004		尼龙扎带		Cable band		2	
26	14021001		PVC油管		Tubing		0.48mm	
27	30129007		油管卡簧		Oil pipe clamp spring		1	
28	14036004		油盅喷嘴		Oil nozzle		1	
29	14036002		回油嘴		Oil nozzle		2	
30	20429001		油管卡簧		Oil pipe clamp spring		4	
31	10123010		油线		Oil wick		1.5	
32	14036003		供油嘴		Oil nozzle		1	
33	14022003		送料轴前孔塞		Spout plug		1	
34	14022011		O形圈		Rubber ring		1	
35	140530001		油量调节螺钉		Oil volume adjusting screw		1	
36	115221001		铝油管		Aluminum tubing		1	
37	115212004		铝油管压板		Aluminum tubing pressing plate		2	
38	S04010		螺钉M4 L=5.5		ScrewM4 L=5.5		2	
39	10127015		回油毡夹		Oil felt clamp		1	
40	10123006		回油毡		Oil felt felt		1	
41	101511004		螺钉SM3/16"×28 L=7		Screw SM3/16"×28 L=7		1	
42	10112023		回油管夹		Oil tube clamp		1	
43	10121007		回油管组件		Oil return tube component		1	
44	10121008		回油管		Oil return tube		1	
45	13811015		视窗		Oil window		1	
46	11412200200		油标组件		Buoy		1	
47	11523000400		油量检测装置组件		Oil measuring device		1	
48	140516001		螺母		Nut		1	
49	14028001		弹性垫圈		Washer		1	
50	13812081		拉簧固定板		Spring fixing plate		1	
51	14012006		油量检测装置固定板		Pull spring fixing plate		1	
52	101511026		螺钉SM15/64"×28 L=9		Screw SM15/64"×28 L=9		2	
53	14011004		油量检测罩壳		Shell		1	
54	14002005		导向支柱		Guide pillar		1	
55	11493000700-02		浮子		Float		1	
56	H05040		开口挡圈6		Ring 6		1	

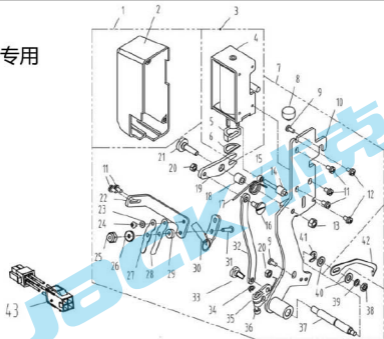


9. 绕线部件/ Bobbin Components

序号NO	公司件号	Part NO	名称	PartName	零件描述	Description	数量	Number
1	1413104900		绕线器组件		Bobbin winder asm		1	
2	114511008		螺钉M4 L=6		Screw M4 L=6		1	
3	W02863		GB 93弹簧垫圈4		Washer 4		1	
4	W01142		GB/T 97.1平垫圈4		Washer 4		1	
5	14113002		压线控制板		Pressure line control board		1	
6	14112020		垫圈		Washer		1	
7	13812110		调节板		Regulating plate		1	
8	13827013		消线复位簧		Reset spring		1	
9	1411000300		绕线凸轮组件		Winding cam asm.		1	
10	11329020		开口挡圈5		Ring 5		2	
11	1141NS10001		复合圈盒头螺钉SM9/64*×40		Screw SM9/64*×40		1	
12	W02865		GB 93弹簧垫圈3		Washer 3		1	
13	14111004		绕线轮		Winding wheel		1	
14	O01110		O型圈25x7		O ring 25x7		1	
15	S04090		螺钉M2 L=4		Screw M2 L=4		1	
16	14119003		割线刀		Secant cutter		1	
17	14111002		绕线衬垫		Winding gasket		1	
18	113831002		绕线器装置主座		The main seat		1	
19	10127061		复位板拉簧		Drag spring		2	
20	14127060		弹簧		Spring		1	
21	14102003		绕线轴主轴		principal axis		1	
22	1410510600		绕线器连杆组件		Bobbin connecting rod asm		1	
23	14111006		止动轮		Driven wheel		1	
24	N07008		螺母SM9/64*×40		Nut SM9/64*×40		1	
25	S09103		螺钉M4 L=4		Screw M4 L=4		2	
26	11422062		密封垫		Washer		1	
27	114511003		螺钉SM3/16*×28 L=10		Screw SM3/16*×28 L=10		3	
28	S10009		螺钉M6 L=8		Screw M6 L=8		2	
29	11435013		绕线器驱动轮		Driving wheel		1	
30	1411300600		底线夹线器		Bobbin thread tension asm.		1	
31	141S16019		小夹线器螺母		Thread tension nut		1	
32	11427006		小夹线弹簧		Spring		1	
33	14112015		夹线板		Thread tension disk		2	
34	11413022		夹线过线板		Thread tension guide plate		1	
35	112S13004		夹线螺钉		Screw		1	
36	114S16001		螺母SM11/64*×40		Nut SM11/64*×40		1	

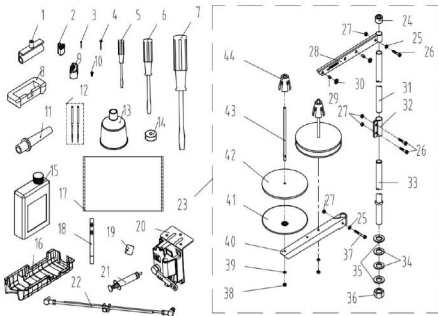
10

-N专用



10. 少鸟巢装置/ No Bird's Nest Components

序号NO	公司件号	Part NO	名称	PartName	零件描述	Description	数量	Number
1	11503005500		勾线装置组件		Wire laying device asm		1	
2	14411003		罩壳		Shell		1	
3	11503004300		接线电磁铁组件		Dial the line electromagnet		1	
4	/		接线电磁铁		Dial the line electromagnet		1	
5	14022026		橡皮垫		Rubber mat		1	
6	14028020		缓冲垫片		Buffer gasket		1	
7	1401200400		勾线支架组件 (含吸嘴)		Hook bracket asm (including suction)		1	
8	14022027		橡皮垫块		Rubber pad		1	
9	101S11001		后盖板螺钉SM3/16*×28 L=9		After throwing a screw		2	
10	1401200700		接线电磁铁支架组件		Dial the line electromagnet stent		1	
11	S15010		螺钉组合件M3 L=6		Screw asm M3 L=6		5	
12	S15011		螺钉组合件M3 L=8		Screw asm M3 L=8		2	
13	140S16008		接线传动板轴位螺母		Dial the line shaft drive plate a nut		1	
14	14026004		接线传动销		Dial the line drive pin		1	
15	14008001		滑动衬套		The sliding sleeve		1	
16	140S20021		接线连杆轴位螺钉		Dial the line connecting rod shaft		1	
17	14027020		复位弹簧		Reset spring		1	
18	14003008		复位衬套		Reset the bushing		1	
19	14012024		接线传动板		Dial the line drive board		1	
20	140S16007		接线连杆轴位螺母		Dial the line connecting rod shaft nut		2	
21	140S20020		接线传动板轴位螺钉		Dial the line drive board shaft screw		1	
22	14012021		压片支架		Tablet bracket		1	
23	W01099		平垫圈3		Wwasher 3		2	
24	S17885		螺钉M3 L=6		Screw M3 L=6		1	
25	N08004		螺母M3		Nut M3		1	
26	N06013		滚花螺母3		Knurl nut M3		1	
27	14013011		压片		Tablet		1	
28	14013010		滑动压片		Sliding tablet		1	
29	14022025		橡胶圈		Rubber ring		1	
30	14011005		吸嘴		Suction nozzle		1	
31	S17886		螺钉M3 L=16		Screw M3 L=16		1	
32	14012020		接线连杆		Dial the line connecting rod		1	
33	1141NS20002		接线连杆轴位螺钉		Dial the line connecting rod shaft		1	
34	N01050		螺母M3		Nut M3		1	
35	14012023		接线驱动连杆		Line drive connecting rod		1	
36	S05973		螺钉M3 L=14		Screw M3 L=14		1	
37	14002008		接线驱动轴		Line drive shaft		1	
38	N01110		螺母M4		Nut M8		1	
39	W02018		弹簧垫圈4×0.8		Spring washer 4×0.8		1	
40	W01098		垫圈5×1		Washer 5×1		2	
41	11329020		开口挡圈5		Open ring		1	
42	14013009		线勾		Wire hook		1	
43	115011009		吸风装置转接线		Suction device adapter		1	



11. 机头附件/Machine Head Accessories

序号 NO	公司件号	Part NO	名称	PartName	零件描述	Description	数量	Number
1	1011203100		机头连接钩部件		Hinge component		2	
2	14022022		机头座垫		Die cushion		2	
3	101S30010		机头连接钩座钉P19		Nail P19		2	
4	1141NS30001		机头连接钩座钉P25		Nail P25		4	
5	10131004		螺丝刀 (小)		Screw driver,small		1	
6	10131003		螺丝刀 (中)		Screw driver,medium		1	
7	20731047		螺丝刀 (大)		Screw driver,large		1	
8	10122060		机头连接钩座		Head connecting rubber cushion		2	
9	14022023		机头支架		Nose support		2	
10	101S30014		螺钉M4 L=20		Wood screw M4 L=20		6	
11	115011003		机头支柱		Machine head rest pin		1	
12	10117001		机针DB×1 14#(日本风琴)		Needle		4	
	10117002		机针DP×5#21 (厚料)		Needle(H)		4	
13	20131039		漏斗		Funnel		1	
14	10118003		梭心		Bobbin		2	
15	1381101200		油盘组件		Oiler component		1	
16	115211002		油盘托盘		Disk tray		1	
17	114131001		防尘罩		Dust cover		1	
18	11212001		过线柱		Crossing post		1	
19	14019001		压脚刀片 (-N专用)		Presser foot blade (-N)		1	
20	10130044		塑壳调速器(平缝A2)		Moulded case governor (flat seam		1	
21	113831011		注射器(含黄油)		Injector (Grease)		1	
22	20730335		拉杆		pull rod		1	
23	1383100300		线架组件		Thread stand asm.		1	
24	20131019		线架杆顶防护橡皮		Spool rest rod rubber cap		1	
25	W01047		平垫圈5		Washer 5		2	
26	S04050		螺栓M5 L=16		Screw M5 L=16		1	
27	N01034		螺母M5		Nut M5		4	
28	13831022		上线架过线杆		Spool rest arm upper		1	
29	10113011		过线圈 (内)		Thread guide ring		2	
30	10113010		过线圈 (外)		Thread guide ring		2	
31	13831019		线架杆上节		Spool rest rod upper		1	
32	13831021		线架杆接头		Spool rest rod joint		1	
33	13831020		线架杆下节		Spool rest rod lower		1	
34	10122106		橡胶垫圈		Spool rest rubber ring		2	
35	W01052		平垫圈16		Washer 16		2	
36	N02004		螺母M16×1.5		Nut M16×1.5		1	
37	S04051		螺栓M5 L=31.5		Screw M5 L=31.5		1	
38	N01034		螺母M5		Nut M5		2	
39	W03002		弹簧垫圈 5		Spring washer 5		2	
40	13831023		下线架过线杆		Spool rest arm lower		1	
41	13831024		线盘		Spool rest		2	
42	20131010		线盘垫		Spool rest cushion		2	
43	20131006		线杆棒		Spool pin		2	
44	13831025		线团防松垫		Spool retainer		2	

公司地址(Address of Company) :

中国浙江省台州市椒江区三甲东大道东段1008号

NO.1008, DONGHAI AVENUE EAST, JIAOJIANG DISTRICT,TAIZHOU CITY, ZHEJIANG

邮编(Zip Code) : 318000

国内销售部(Domestic Trade Department):

电话(TEL): 0086-0576-88177788 88177789

传真(FAX): 0086-0576-88177758

国际贸易部(International Trade Department):

电话(TEL): 0086-0576-88177782 88177774

传真(FAX): 0086-0576-88177787

服务热线: 400-8876858

http://www.chinajack.com

资料如有更改,恕不另行通知,以实物为准。

You will be not informed if the file has been revised.Please set sample as standard.

日期: 2021.3.29



请您扫下杰克服务号

www.chinajack.com