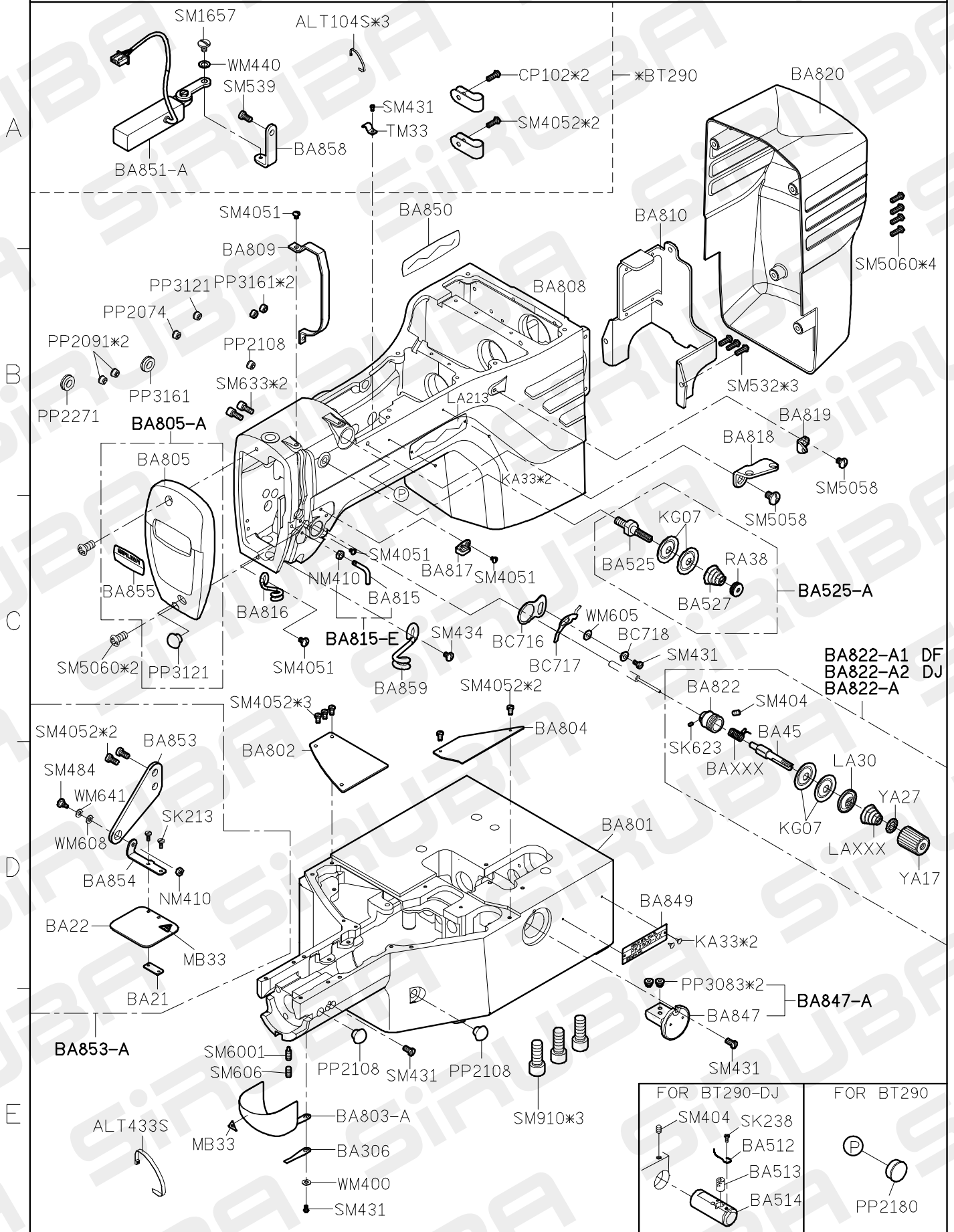


BT290 規格件表 / CONVERSION CHART

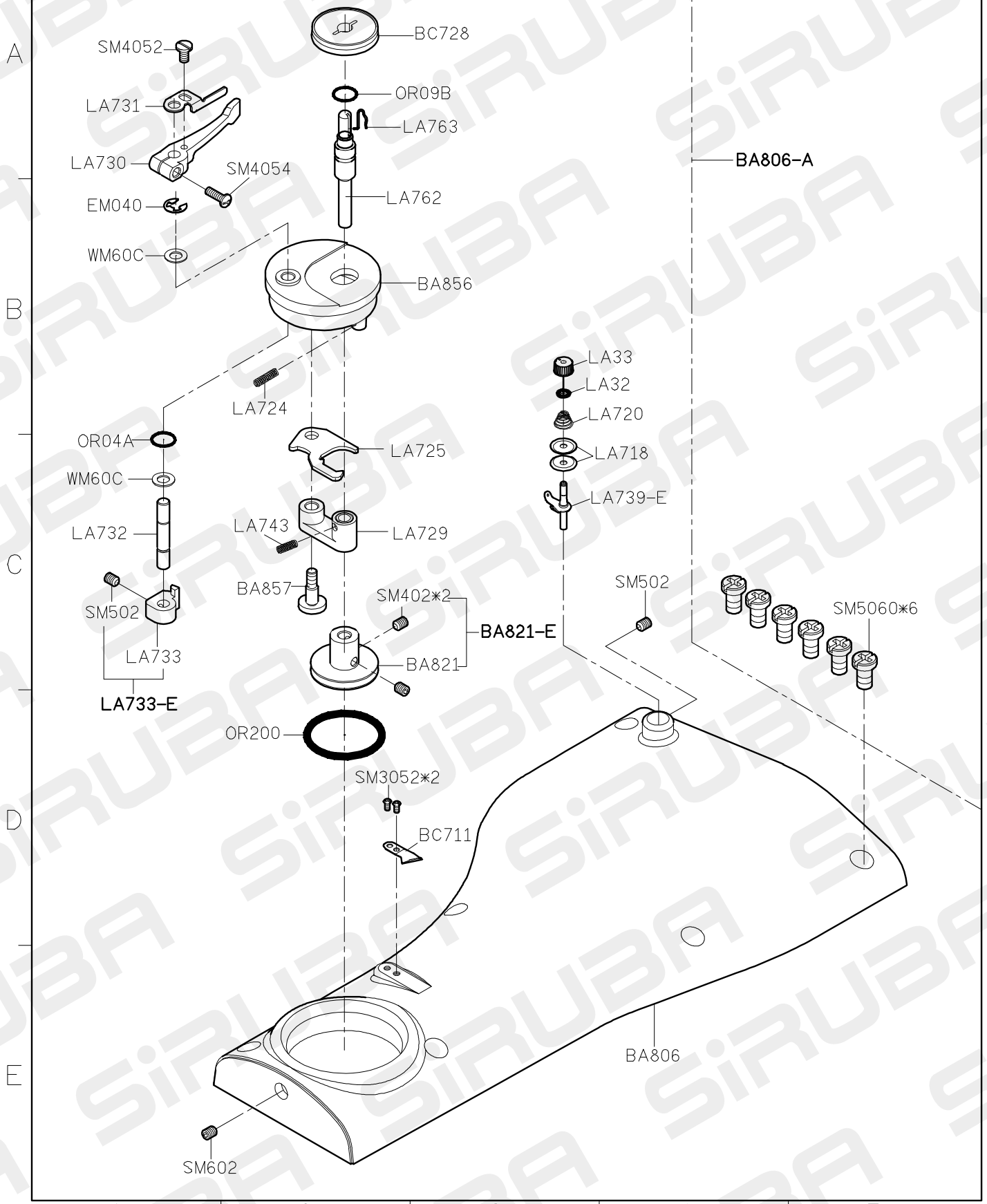
MODEL	SUB-CLASS	NEEDLE PLATE	FEED PLATE	PRESSER FOOT	PRESSER FOOT	LARGE SHUTTLE HOOK	THREAD TAKE-UP SPRING	SPRING	HOOK ASSY	BOBBIN CASE ASSY	HOOK DRIVER	BOBBIN	NEEDLE
機 型	規 格	針 板	送 料 具	左 押 具	右 押 具	梭 匣 外 蓋	挑 線 彈 簧	彈 簧	梭 頭	梭 殼	梭 殼 推 動 器	梭 子	針 號
BT290-DJ	標 準 STANDARD	E150	D801	P801L	P801R	BC836B	BA145	LA31	G186	G260	BC835	G311	DP*5#14
BT290-DJ	厚 布 類 WEIGHT MATERIAL	E152	D814	P804L	P804R	BC836C	BA515	LA131	G185	G260	BC835C	G311	DP*17#19
BT290-DJ	內 衣 LIGHT MATERIAL	E151	D811	P801L	P801R	BC836B	LA227	LA231	G186	G260	BC835	G311	DP*5#11
BT290-DJA	厚 布 類 WEIGHT MATERIAL	E152	D814	P804L	P804R	BC836C	BA515	LA131	G185	G260	BC835C	G311	DP*17#19
BT290-A1	標 準 STANDARD	E154	D826	BF389	BF390	BC836B	BA145	LA31	G186	G260	BC835	G311	DP*17#14
BT290-A2	標 準 STANDARD	E150	BF877	P809	-	BC836B	BA145	LA31	G186	G260	BC835	G311	TOX7#14

PARTS LIST FOR BA GROUP 1/2



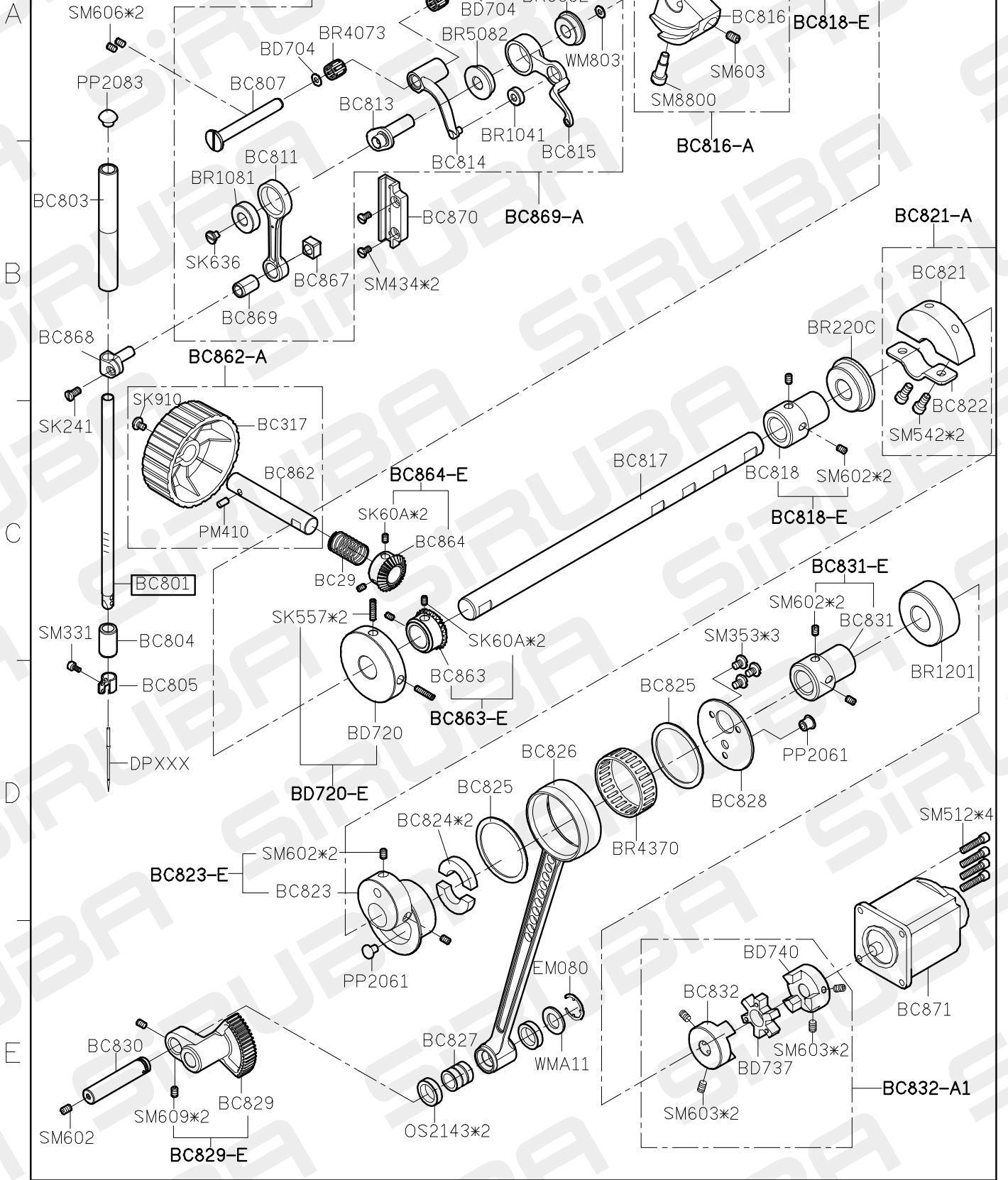
BT290
*BT290 進階型

PARTS LIST FOR BA GROUP 2/2

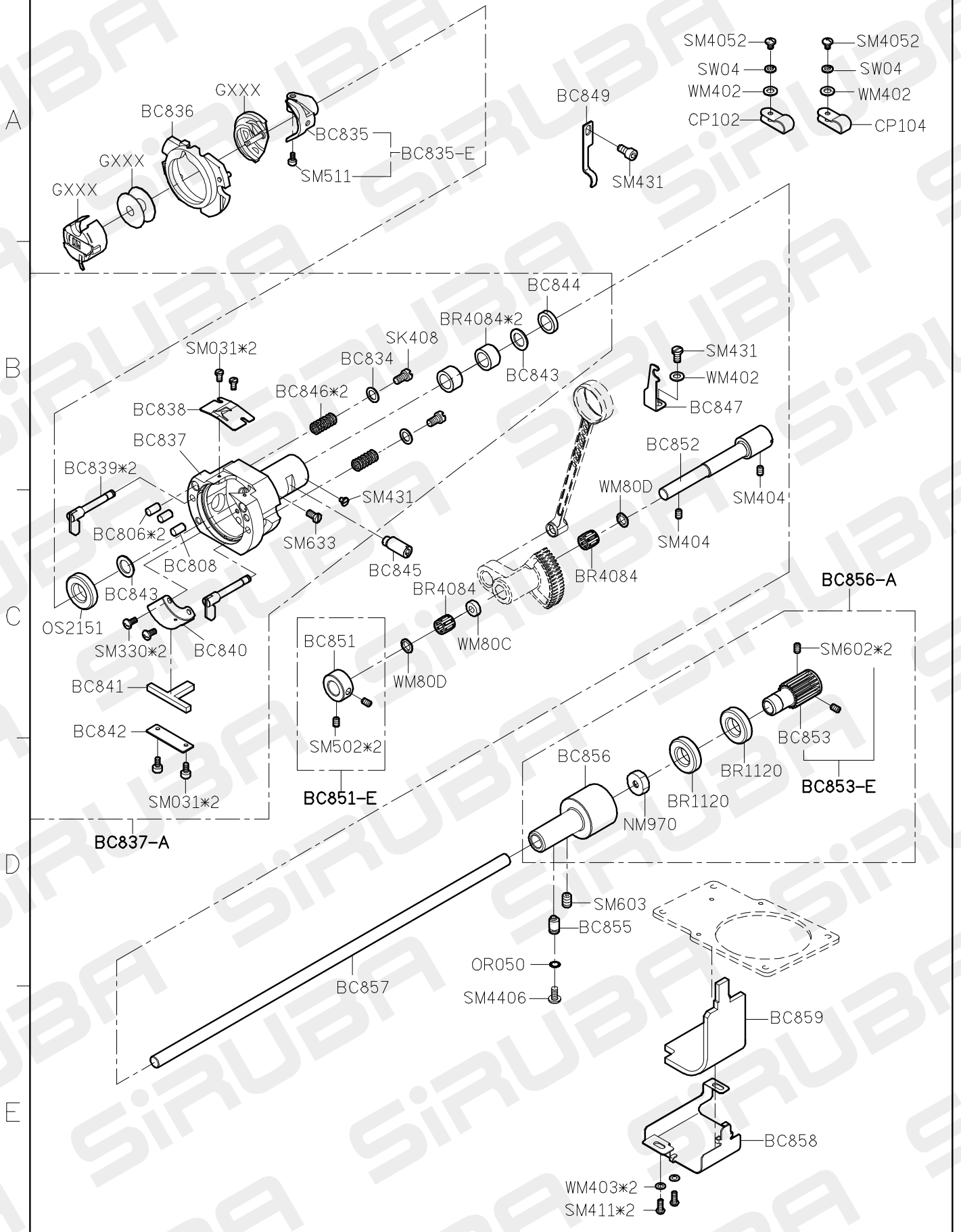


PARTS LIST FOR BC GROUP 1/2

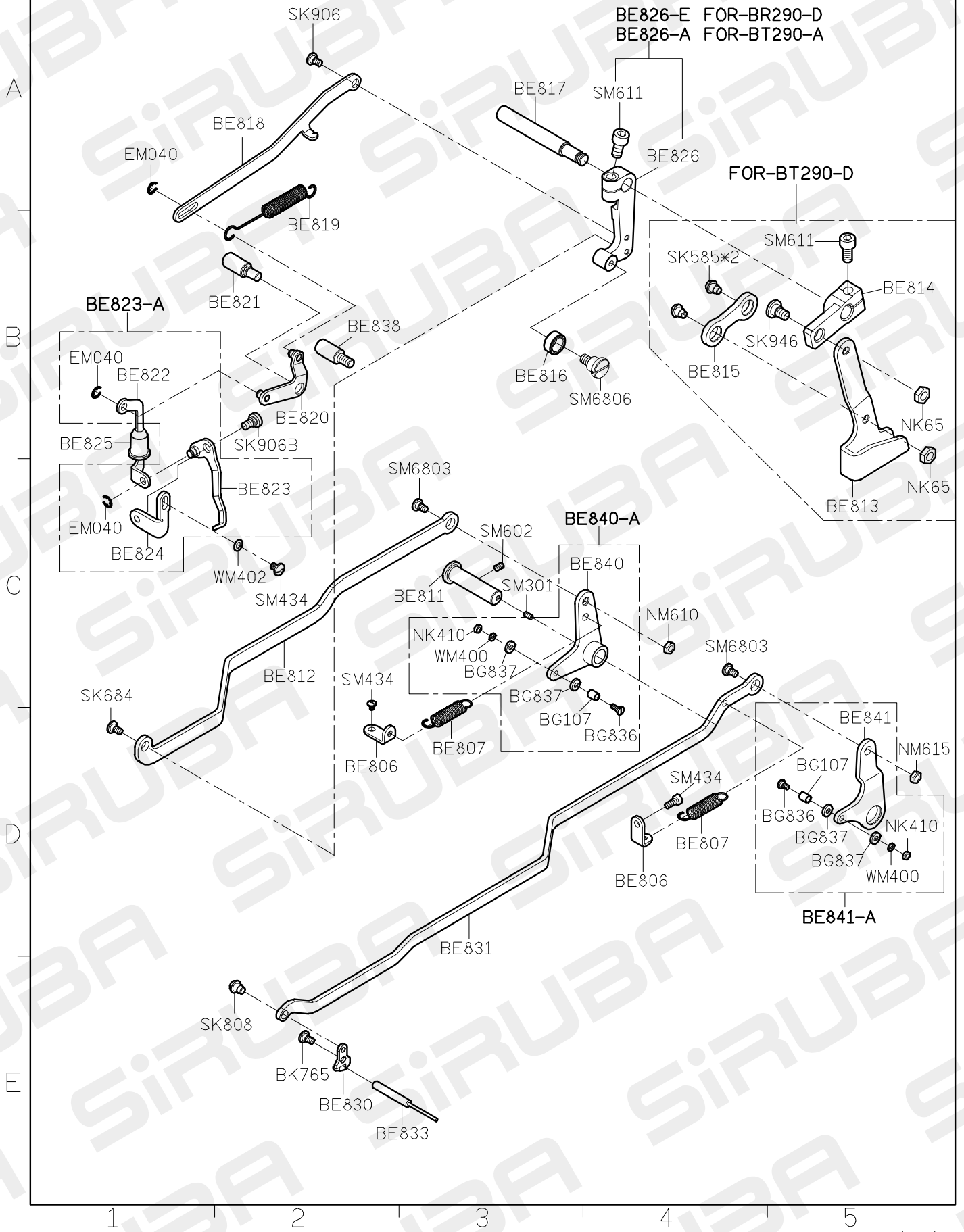
MODEL	BT290-DS BT290-AS	BT290-AU
PARTS NO	BC801	BC810



PARTS LIST FOR BC GROUP 2/2



PARTS LIST FOR BE GROUP 1/1



PARTS LIST FOR BF-D GROUP 1/3

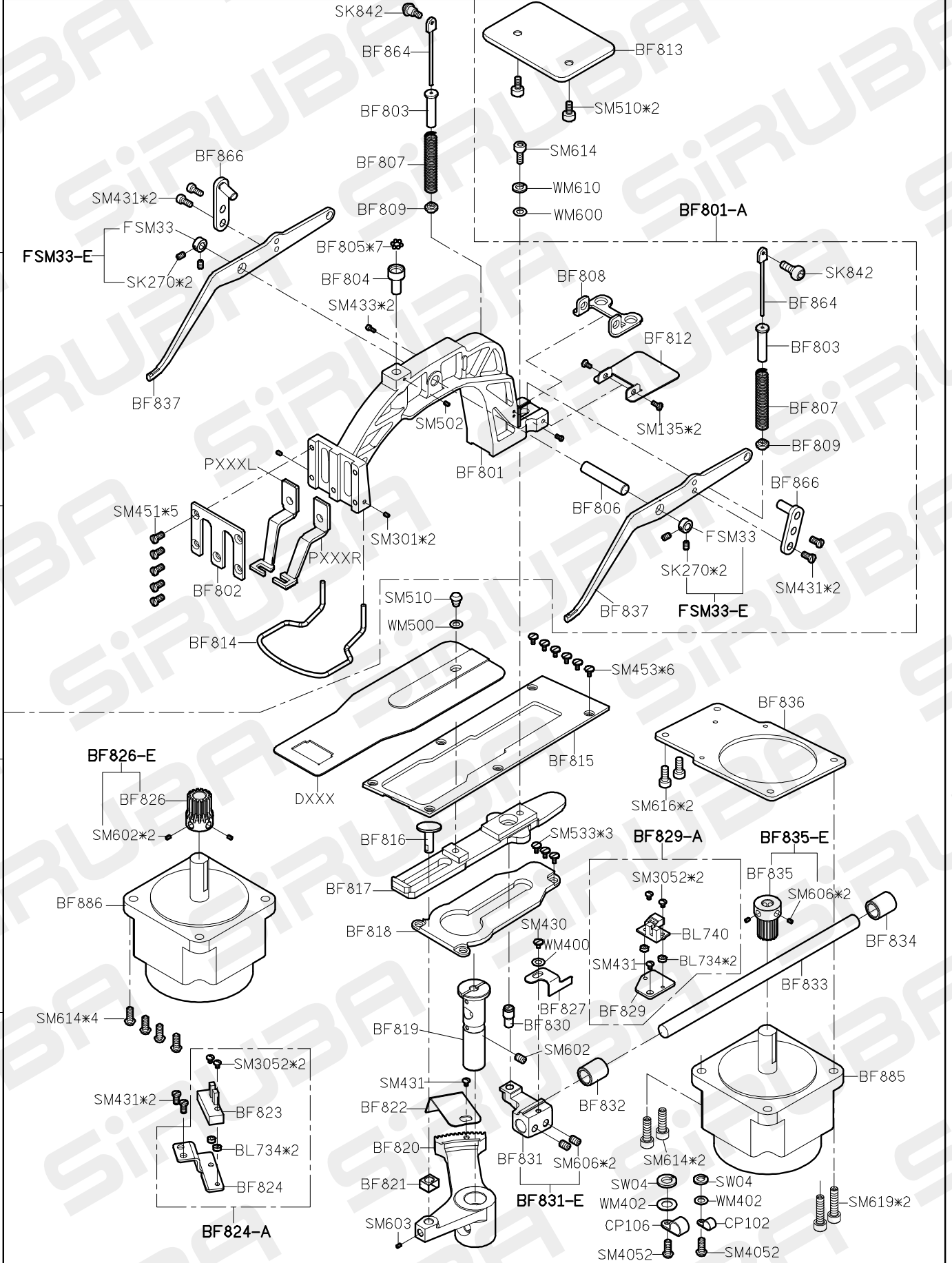
A

B

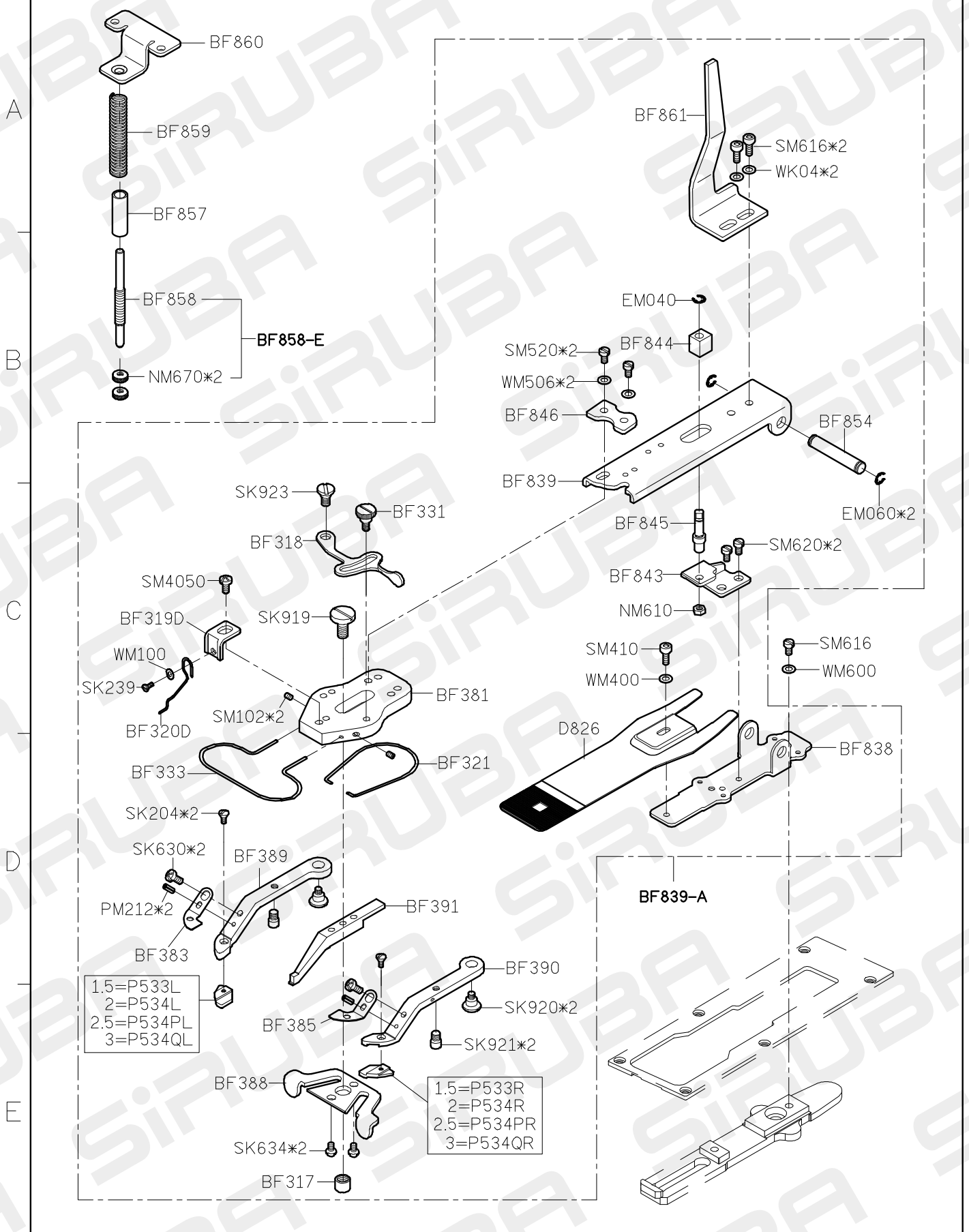
C

D

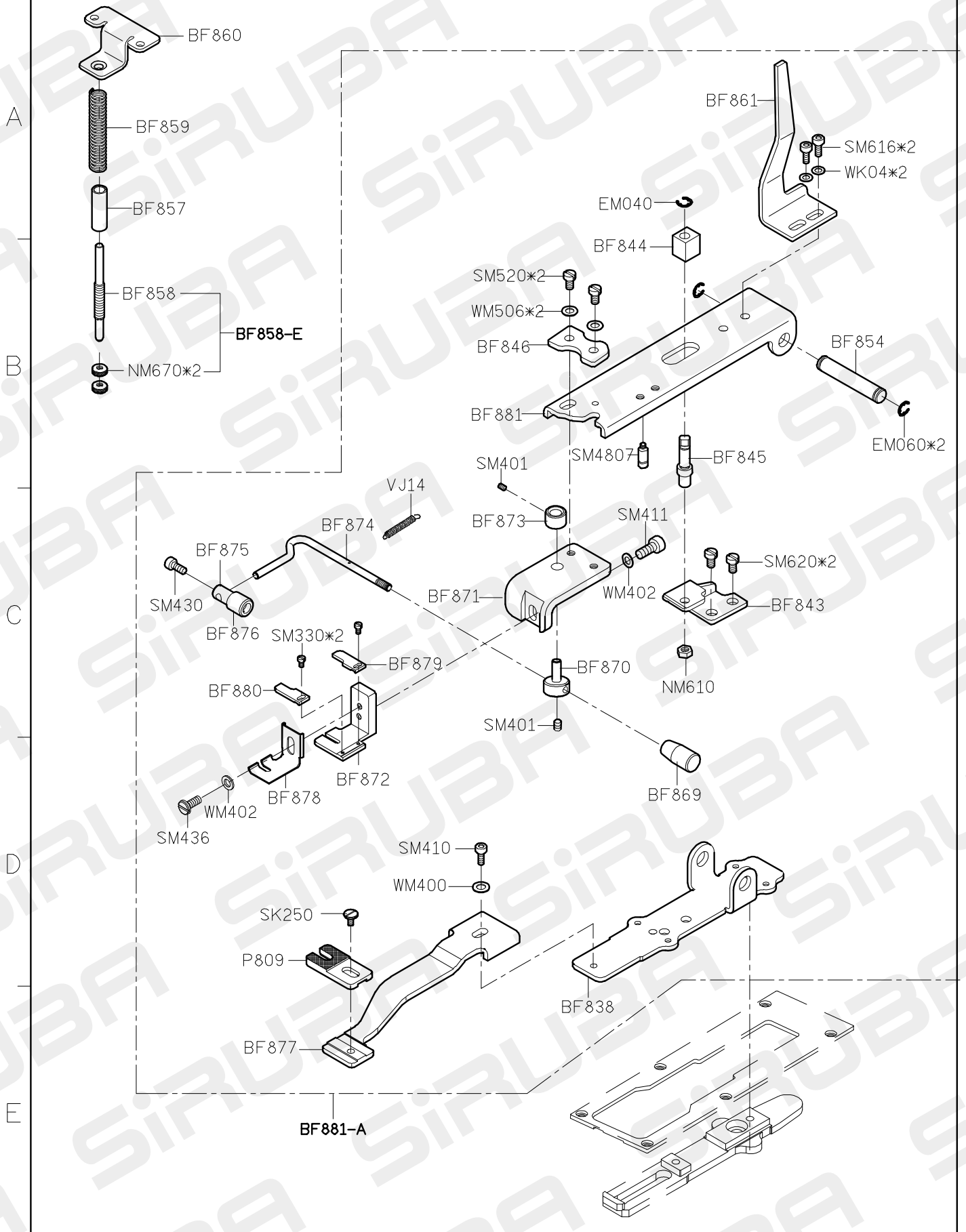
E



PARTS LIST FOR BF-A1 GROUP 2/3



PARTS LIST FOR BF-A2 GROUP 3/3



PARTS LIST FOR BG GROUP 1/1

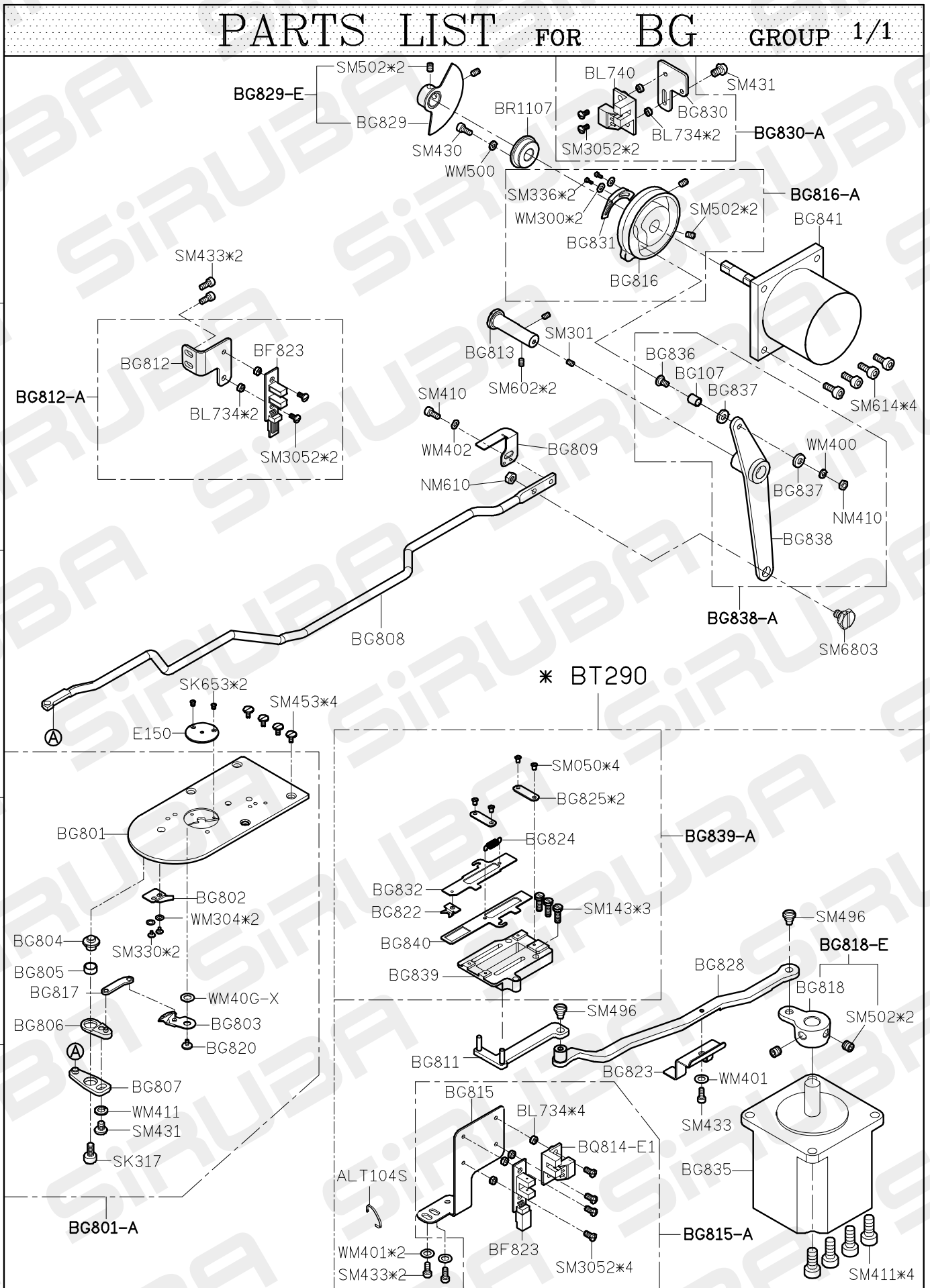
A

B

C

D

E



* BT290

PARTS LIST FOR BM GROUP 1/1

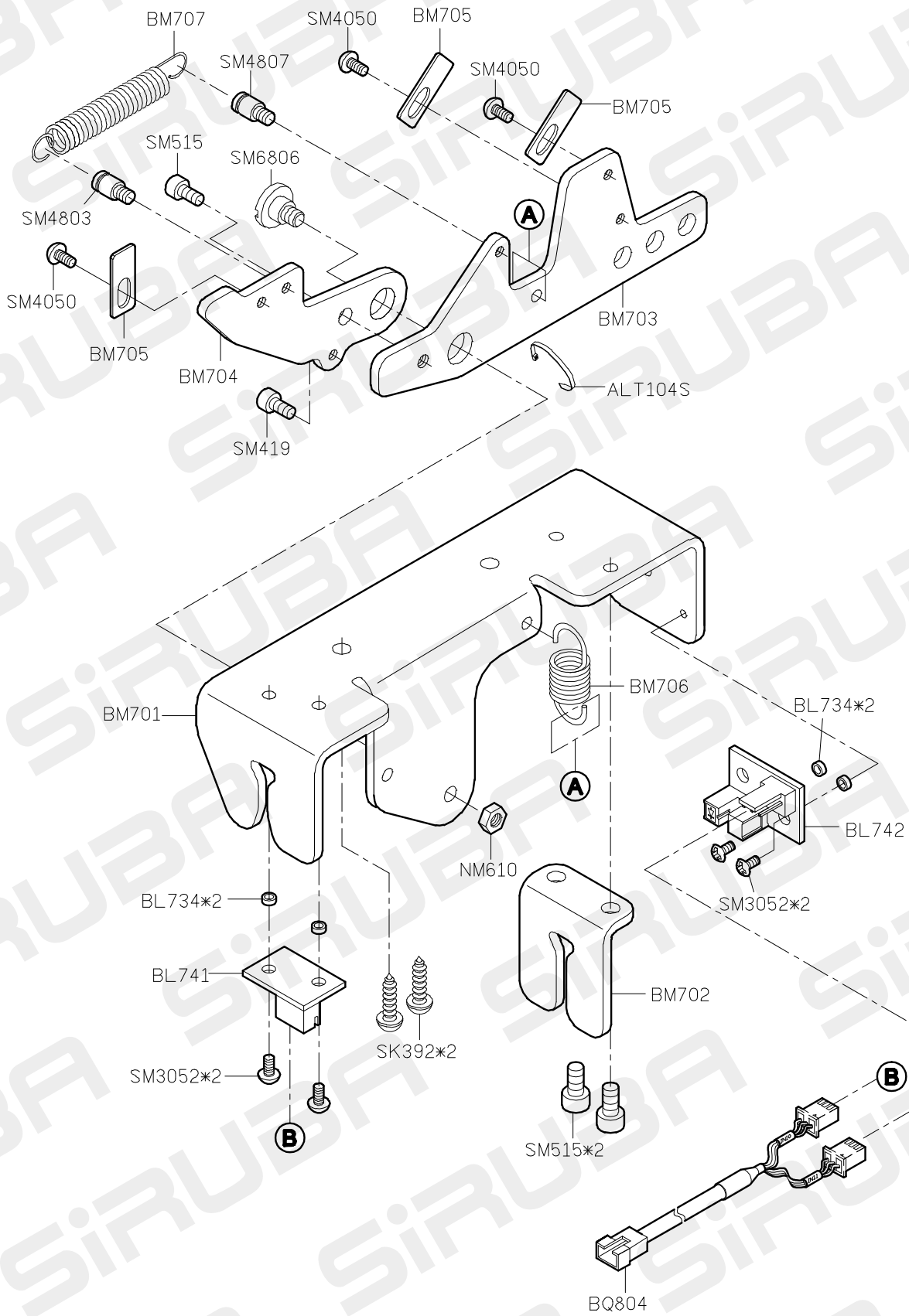
A

B

C

D

E



1

2

3

4

5

PARTS LIST FOR BM GROUP 1/2

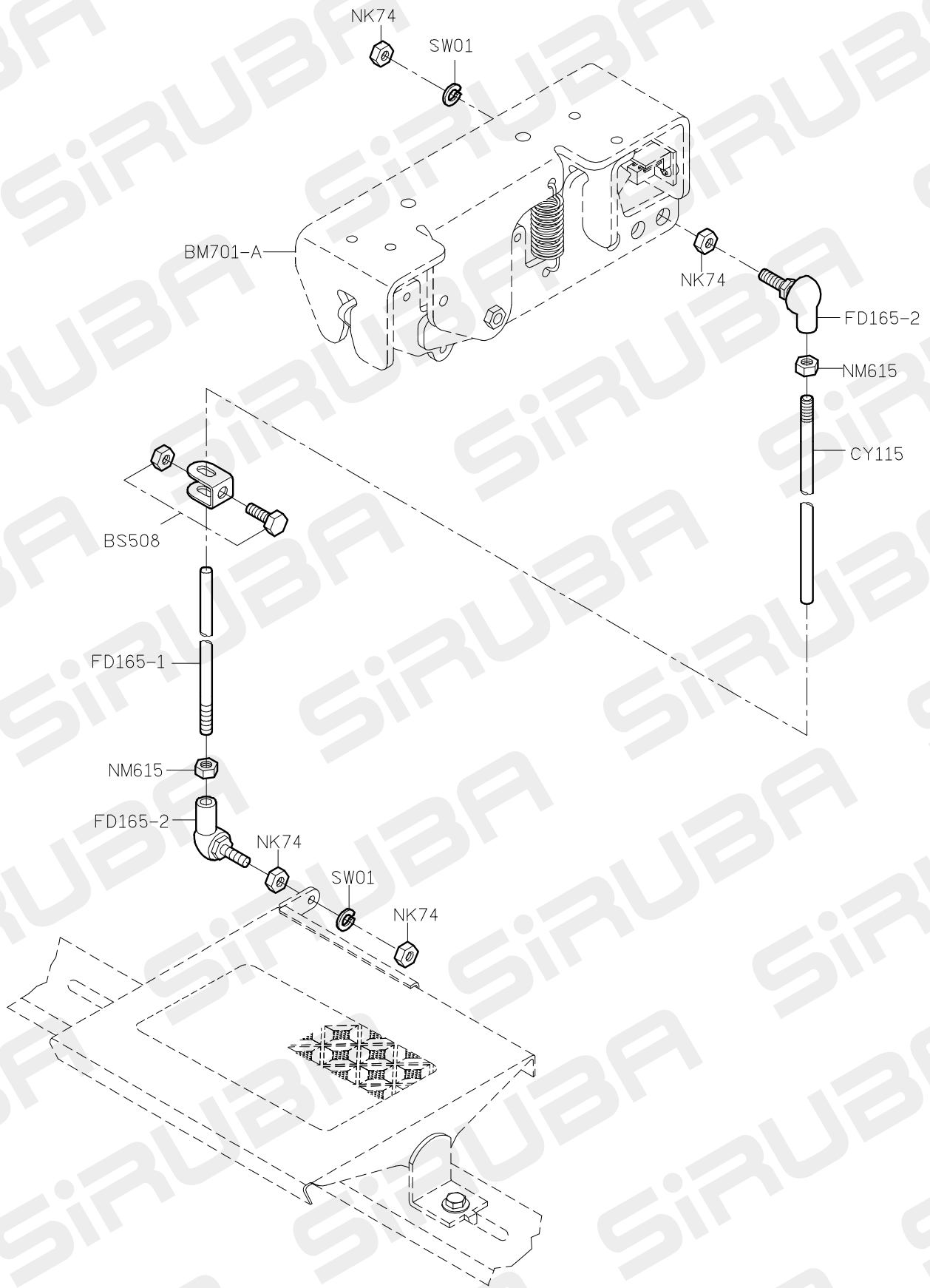
A

B

C

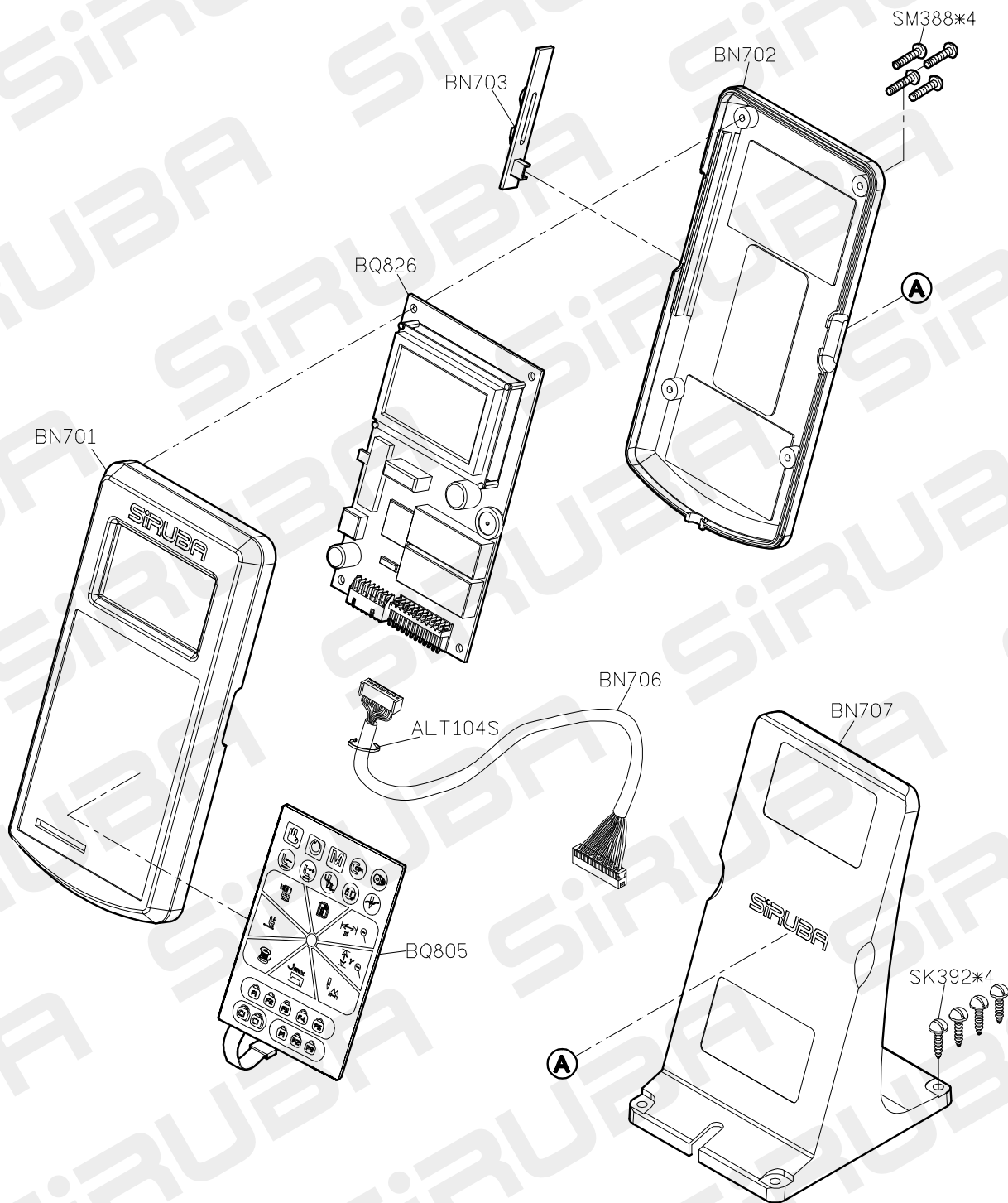
D

E



PARTS LIST FOR BQ GROUP 1/5

A
B
C
D
E



PARTS LIST FOR BQ GROUP 2/5

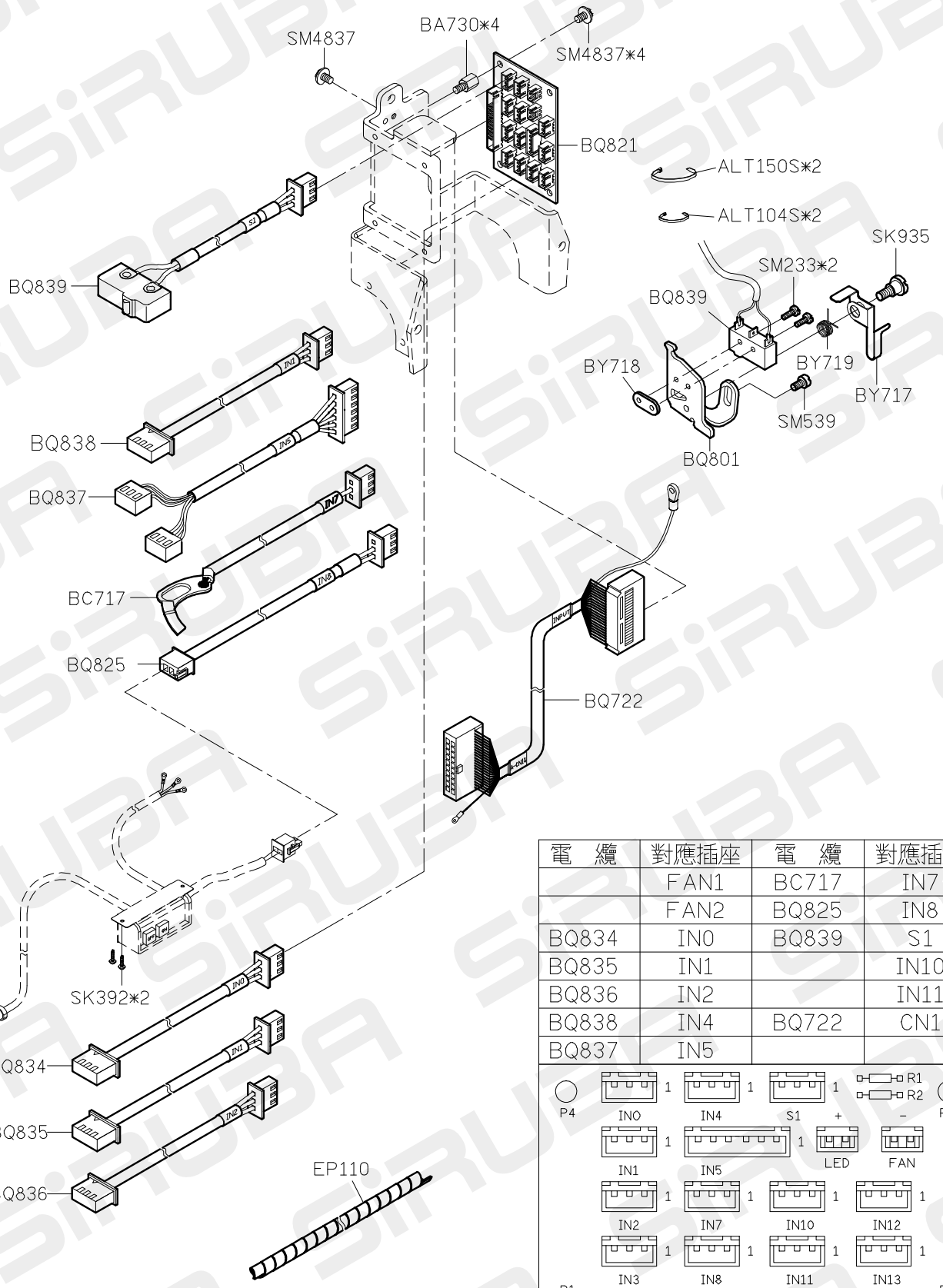
A

B

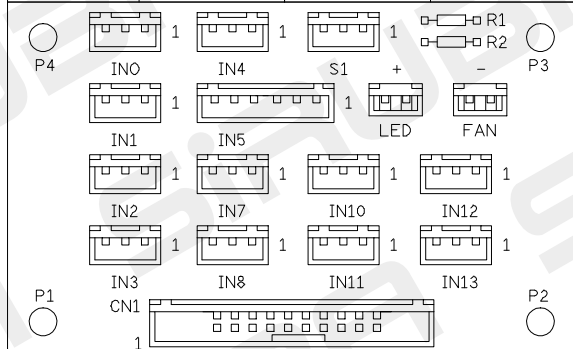
C

D

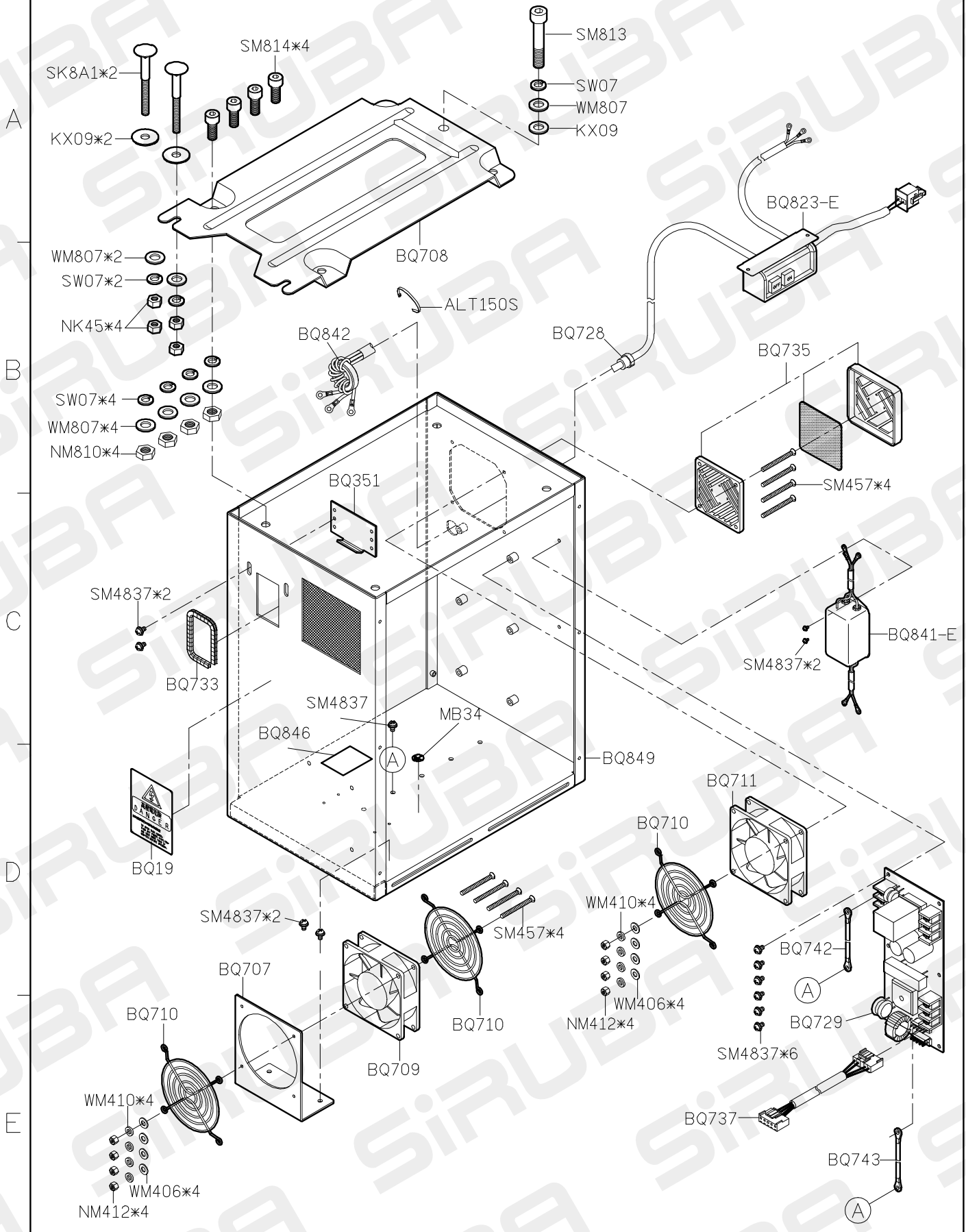
E



電 纜	對應插座	電 纜	對應插座
	FAN1	BC717	IN7
	FAN2	BQ825	IN8
BQ834	IN0	BQ839	S1
BQ835	IN1		IN10
BQ836	IN2		IN11
BQ838	IN4	BQ722	CN1
BQ837	IN5		

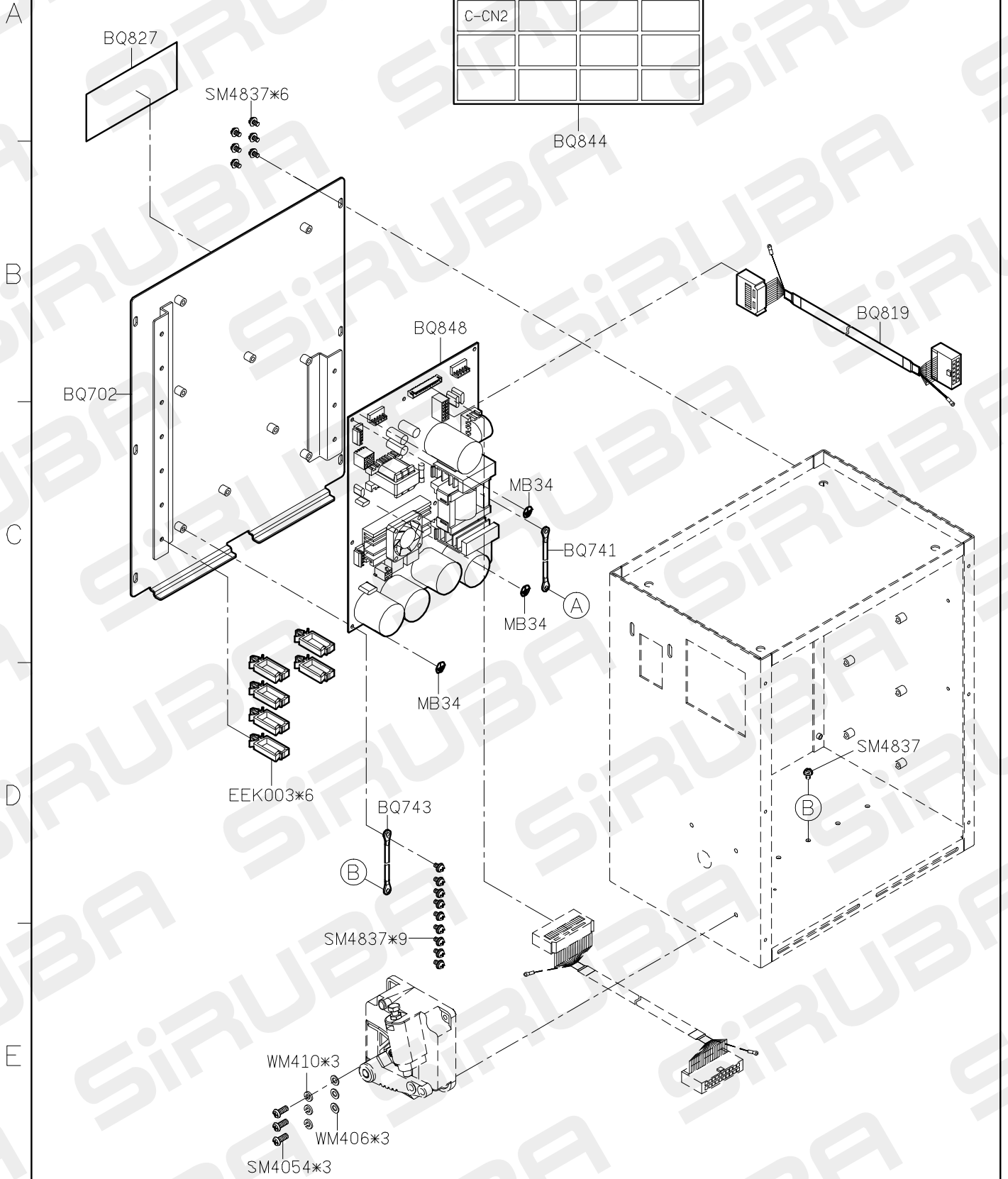


PARTS LIST FOR BQ GROUP 3/5



PARTS LIST FOR BQ GROUP 4/5

A-CN1	A-CN3	A-CN6	A-CN11
A-CN18	A-CN22	B-CN2	B-CN6
C-CN2			



PARTS LIST FOR BQ GROUP 5/5

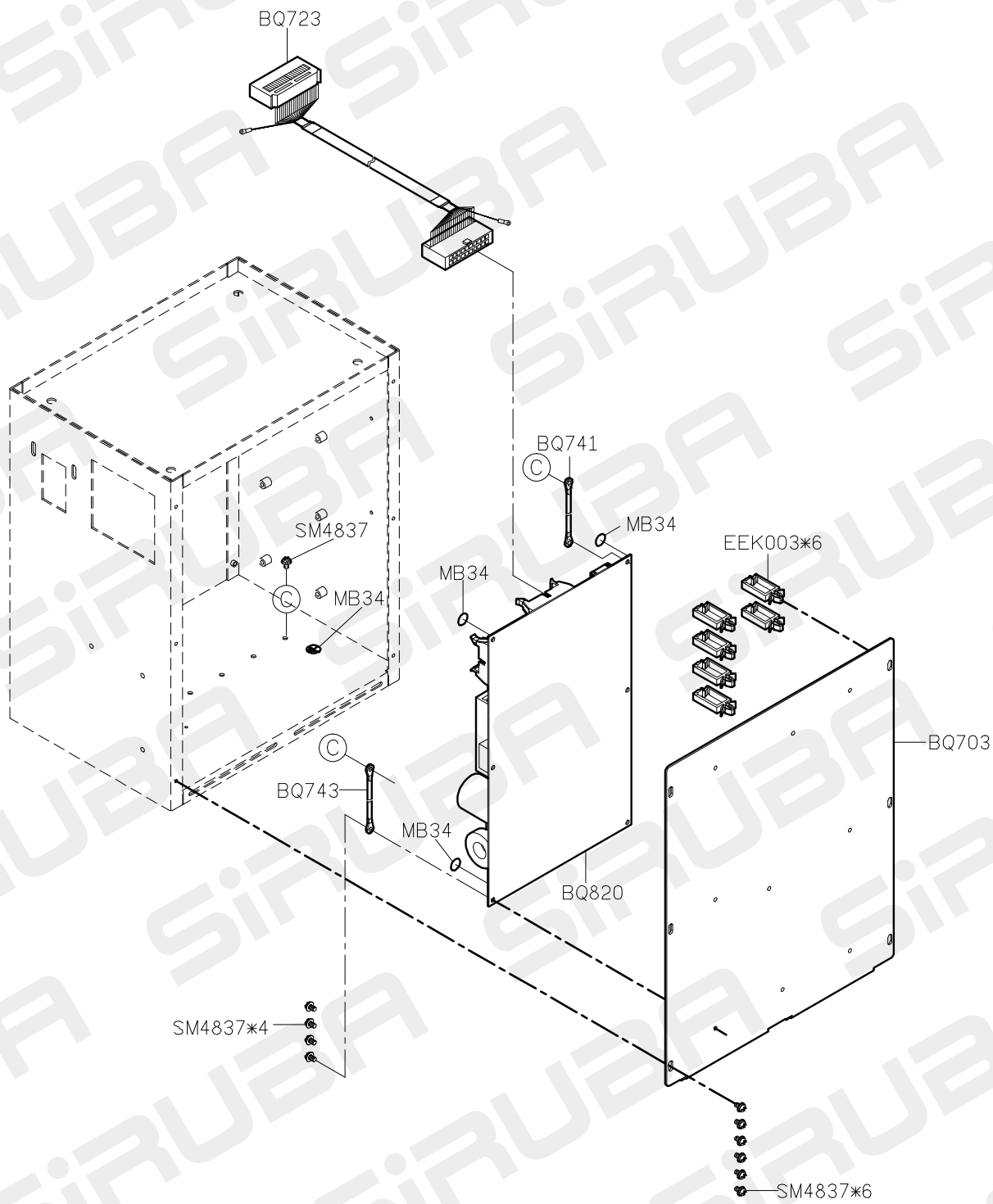
A

B

C

D

E



PARTS LIST FOR BY GROUP 2/2

BY124-A

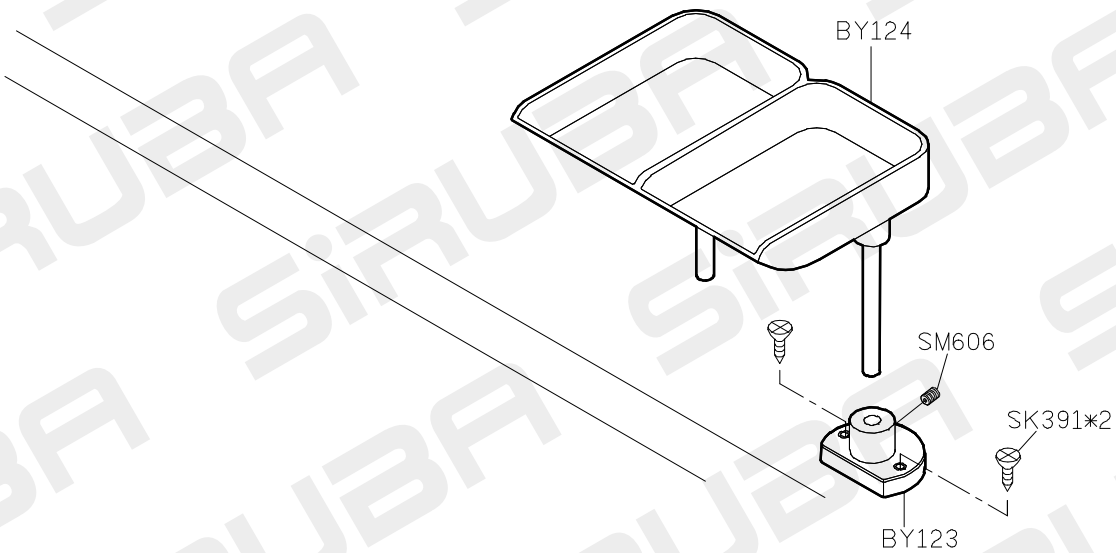
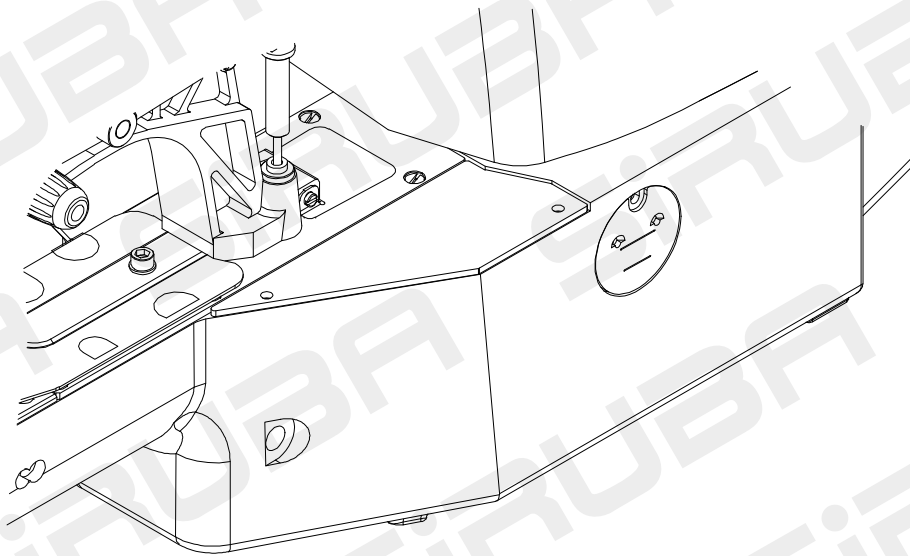
A

B

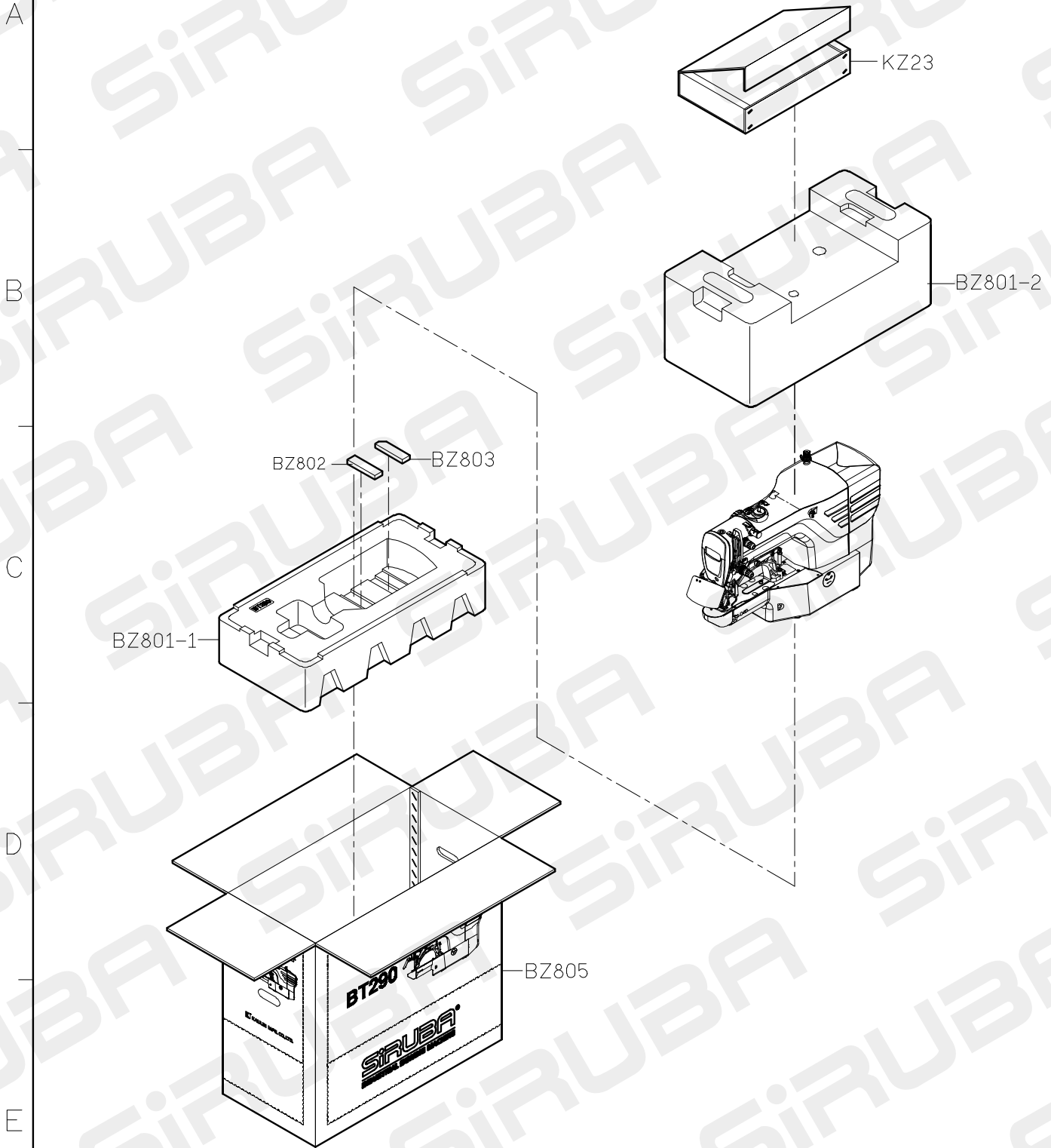
C

D

E



PARTS LIST FOR BZ GROUP 1



PARTS LIST FOR BZ GROUP 2

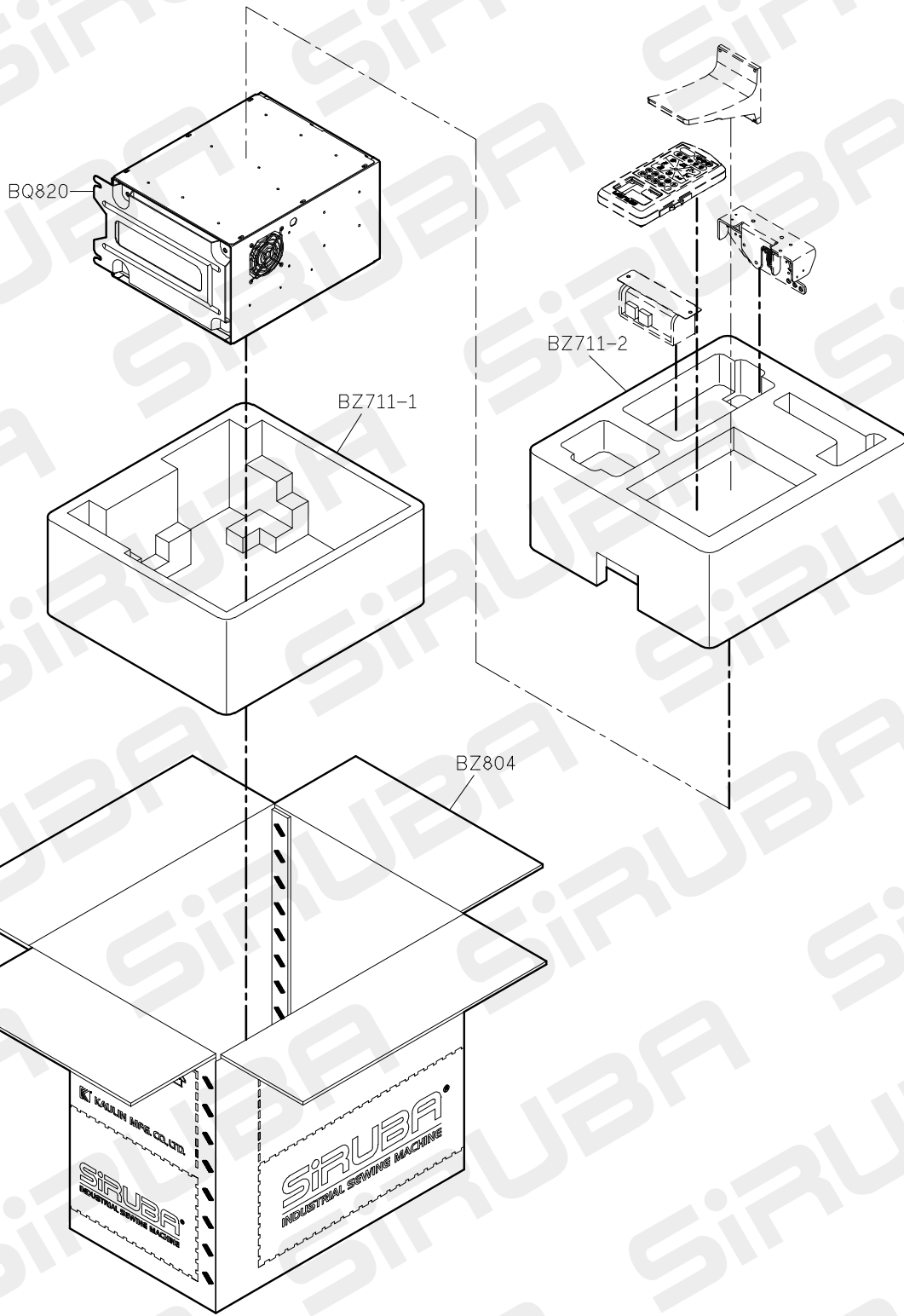
A

B

C

D

E



1

2

3

4

5

PARTS LIST FOR CS GROUP P.1/1

A

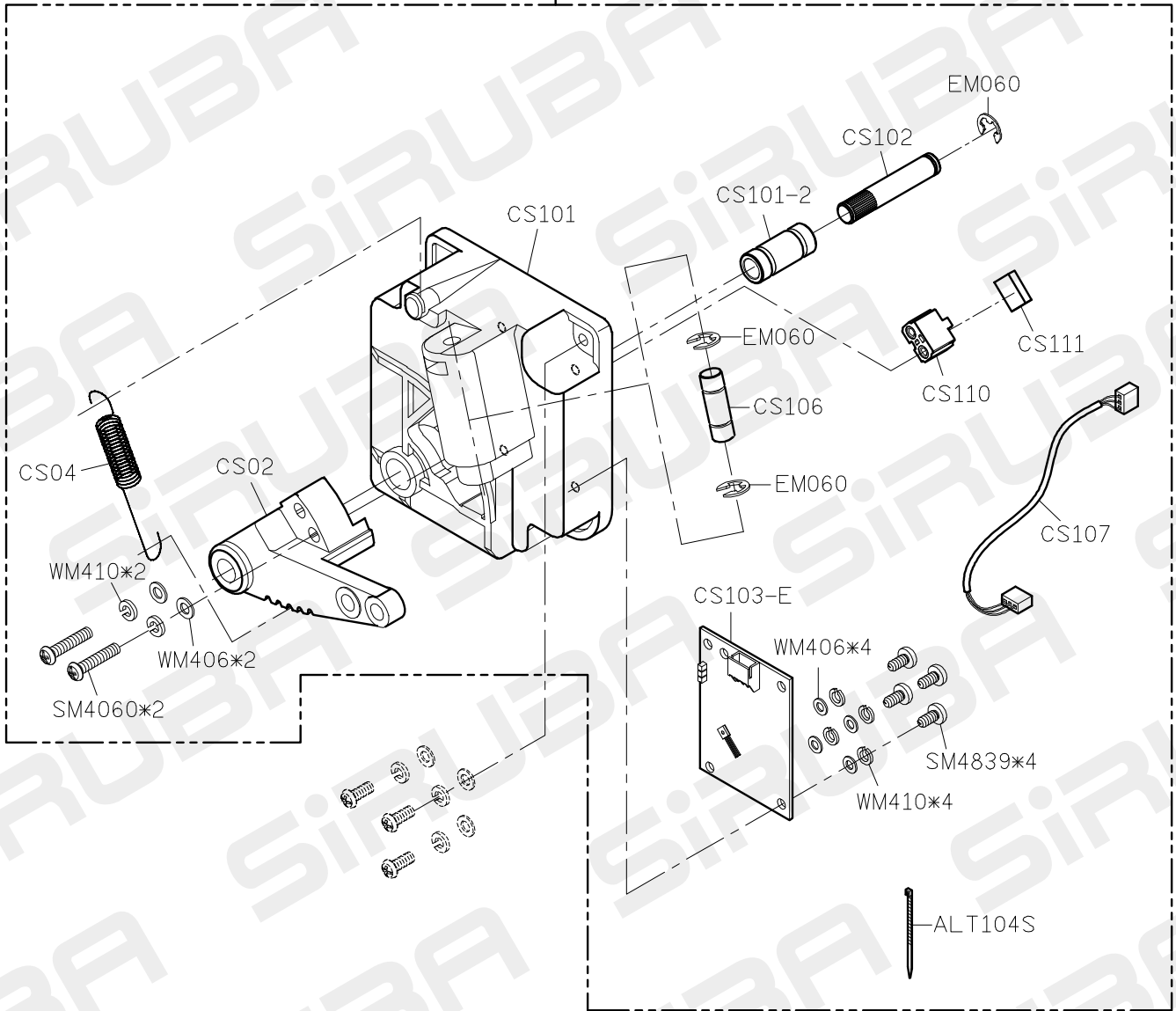
CS101-A

B

C

D

E



1

2

3

4

5

TABLE CUT-OUT OF BT290-T1

單針電子鎖眼縫紉機上乘式桌板圖
 BT290 TABLE CUT-OUT SEMI-SUBMERGED
 單位/UNIT:mm
 所有尺寸公差/DIFFERENCE:±2
 BT290-T1-1070(長度(L):1070/重量
 BT290-T1長度(L):1200/重量
 全封邊灰格紋光塑面台板

