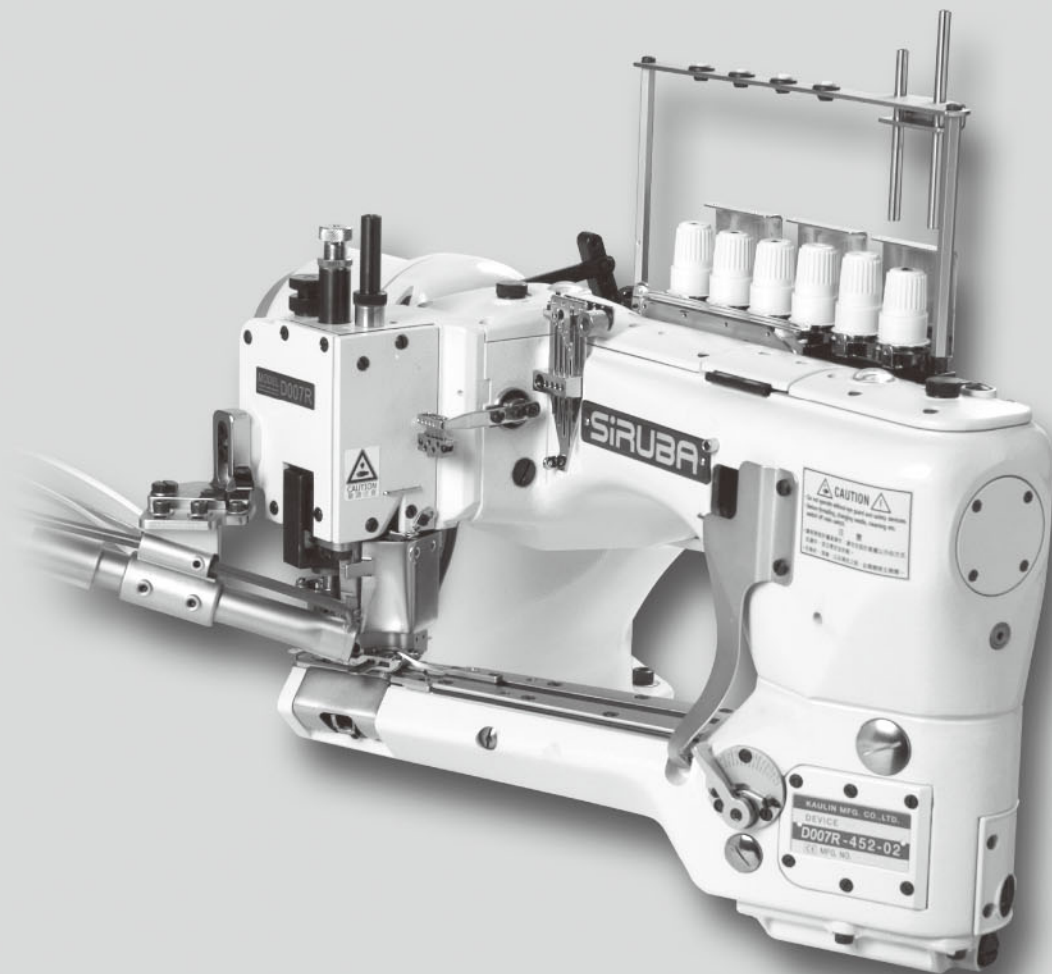


## 零件圖 PARTS LIST

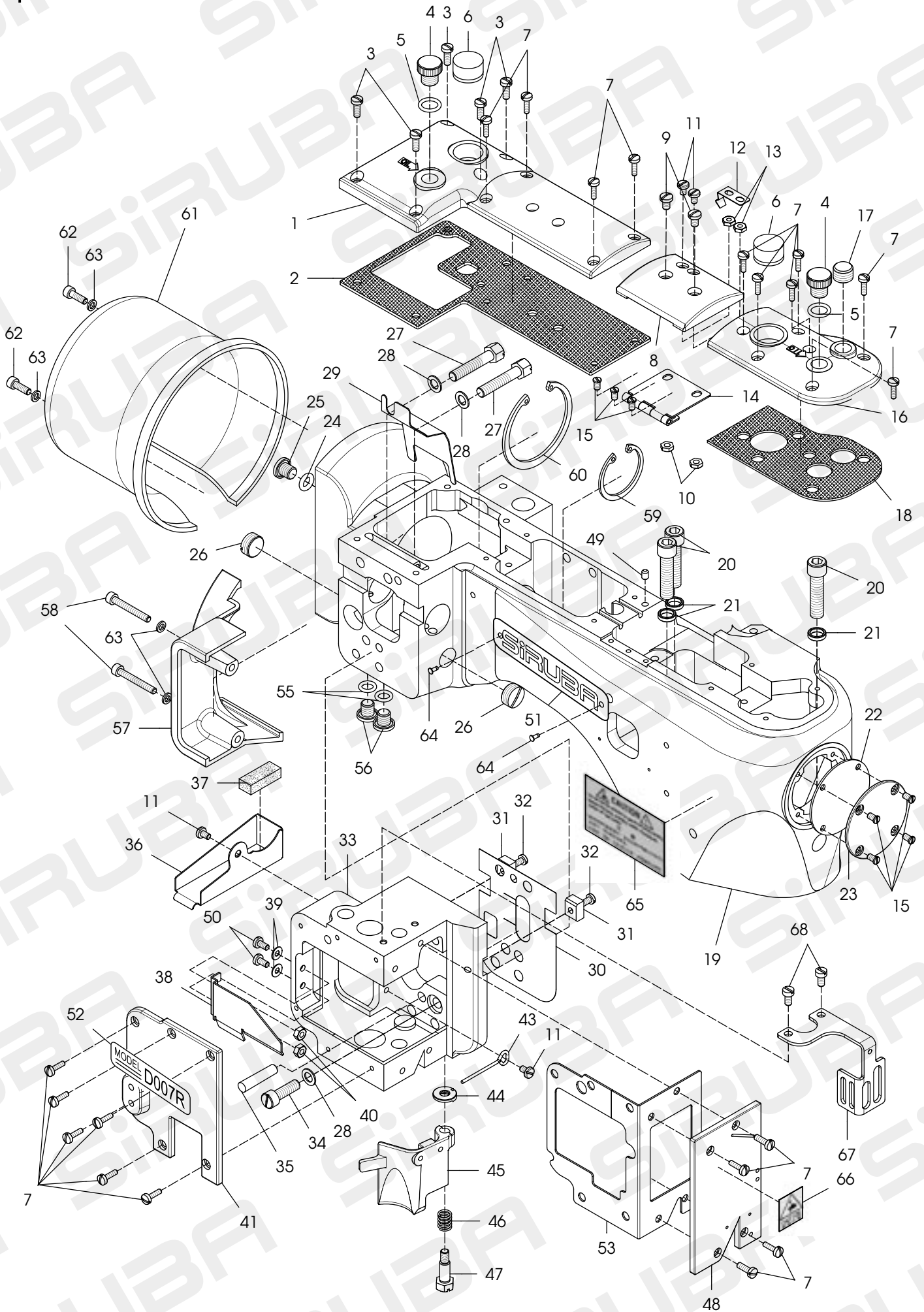


# CONTENTS

# 目

# 次

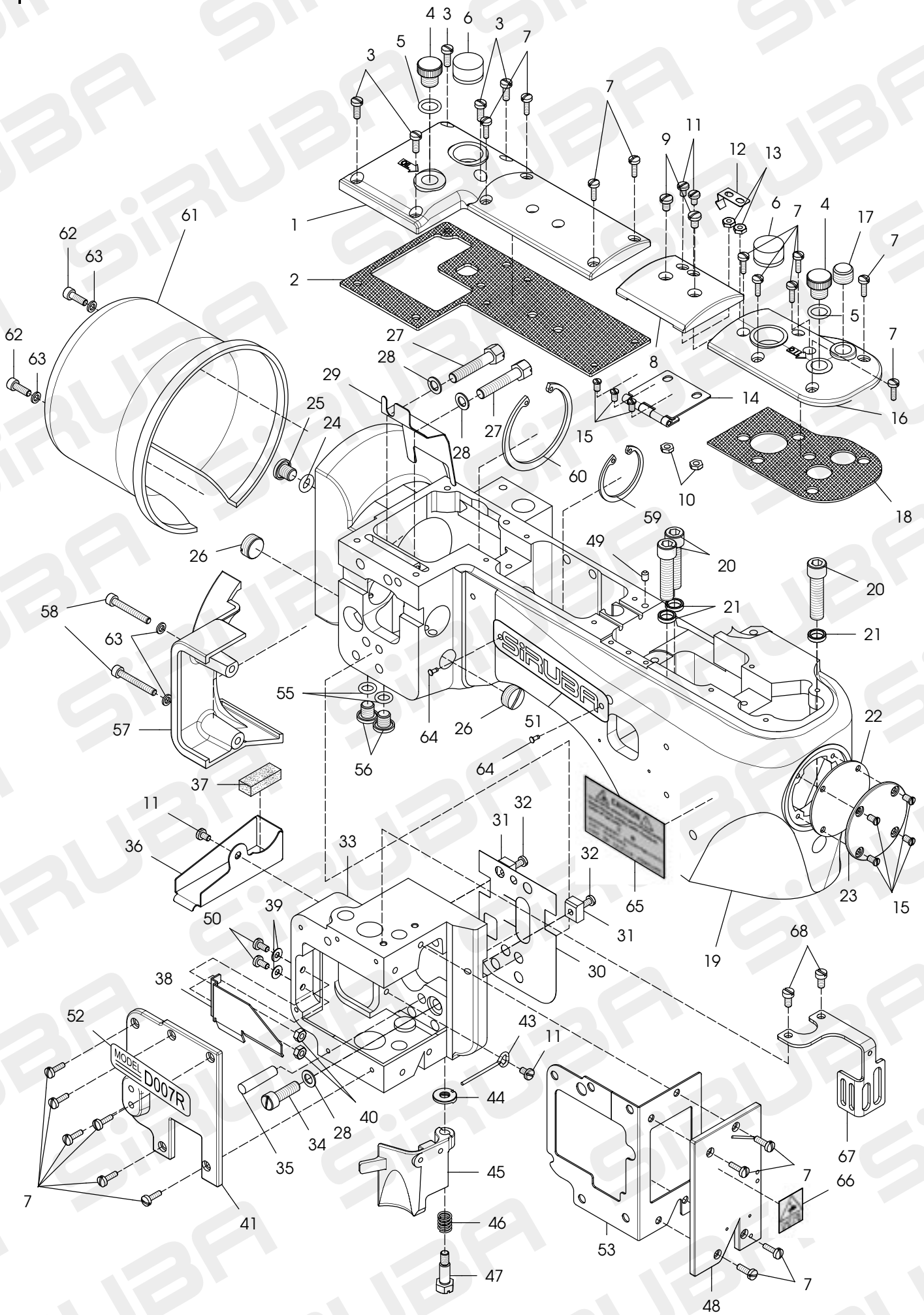
MISCELLANEOUS COVERS(1).....	機殼機構(1).....	1
MISCELLANEOUS COVERS(2).....	機殼機構(2).....	2
MISCELLANEOUS THREAD EYELETS-4NEEDLE.....	過線機構-四針六線.....	3
MISCELLANEOUS BUSHINGS.....	套管機構.....	4
MAIN SHAFT DRIVING MECHANISM.....	上主軸與針棒機構.....	5
ONE SIDE CUT PRESSER FOOT MECHANISM.....	單切押腳與押腳驅動機構.....	6
UPPER KNIFE , CARRIER AND HOOK DRIVING MECHANISM...	上切刀及上勾針驅動機構.....	7
LOOPER DRIVING MECHANISM.....	下勾針驅動機構.....	8
FEED DRIVING MECHANISM.....	送料具驅動機構.....	9
FEED DRIVING CONTROL MECHANISM.....	送料具調節機構.....	10
LUBRICATING MECHANISM.....	給油機構.....	11
DEIRCTLY DRIVING TYPE MINI-SERVO MOTOR C.SET.....	伺服馬達機構.....	12
TABLE.....	桌板圖.....	13
SUPPORTING BLOCK MECHANISM.....	車台固定座機構.....	14
" AW1" DEVICE C.SET (SELECT DEVICE).....	外接式吸布屑組-AW1 (選擇配備).....	15
" AW2" DEVICE C.SET (SELECT DEVICE).....	密封式(箱型)吸布屑組-AW2 (選擇配備)...	16
THREAD STAND.....	線架組.....	17
DOBLE SIDE CUT PRESSER FOOT MECHANISM.....	雙切押腳機構.....	18
ATTACHMENT BOX.....	附件盒.....	19
ACCESSORIES.....	附件箱.....	20
SELECT DEVICE (02-T1) .....	選擇配備(02-T1)-織帶.....	21
SELECT DEVICE (01-T2) .....	選擇配備(01-T2)-貼條.....	22
SELECT DEVICE (S) .....	選擇配備(S)-襪子.....	23
SELECT DEVICE (01-DS)-452.460.....	選擇配備(01-DS)-452.460 潛水衣..	24
SELECT DEVICE(02R).....	選擇配備(02R)-弧狀車縫.....	25
SELECT DEVICE(02H) .....	選擇配備(02H)-包縫過骨/特厚刷毛... 26	
SELECT DEVICE(02RH) .....	選擇配備(02RH)-弧狀車縫包縫過骨... 27	
SELECT DEVICE (02-T2) .....	選擇配備(02-T2) -貼條.....	28
SELECT DEVICE (FEED DOG).....	特殊勾齒(膠齒) .....	29
SELECT DEVICE (AK).....	選擇配備(AK)-自動切線 .....	30
SELECT DEVICE (AK PRESSER FOOT).....	選擇配備(AK)-押腳.....	31
AK DUST-COLLECTING EQUIPMENT (SELECT DEVICE).....	AK 集塵裝置(選擇配備).....	32
SELECT DEVICE (MISCELLANEOUS THREAD EYELETS-5NEEDLE)..	選擇配備(過線機構-五針七線).....	33
SELECT DEVICE (01-DS)-470.480.....	選擇配備(01-DS)-470.480 潛水衣..	34
SELECT DEVICE (02-4L20).....	選擇配備(02-4LXX)-段差厚料.....	35
STITCH LENGTH SPECIFICATION.....	針距規格表.....	附件 1



MISCELLANEOUS COVERS (1)

機殼機構(1)

Ref.	Parts			Amt.
<u>No.</u>	<u>No.</u>	<u>Description</u>	<u>品 名</u>	<u>Req.</u>
1	07400101	Crank Chamber Cover.....	曲軸室上蓋.....	1
2	07400102	Crank Chamber Cover Gasket.....	曲軸室墊片.....	1
3	07400103	Screw(11/64-40X10.5).....	螺絲.....	5
4	07400104	Screw(M12-1.75X9).....	螺絲.....	2
5	07400105	O-Ring.....	O 型橡膠環.....	2
6	07400106	Oil Sight Top Window.....	上油鏡.....	2
7	07400107	Screw (9/64-40X10.8).....	螺絲.....	20
8	07400108	Top Cover (Middle).....	上蓋(中).....	1
9	07400109	Screw (11/64-40X6.5).....	螺絲.....	2
10	07400110	Nut.....	螺帽.....	2
11	07400111	Screw (9/64-40X5.6).....	螺絲.....	4
12	07400112	Top Cover (Middle) Spring.....	上蓋(中)彈簧.....	1
13	07400113	Nut.....	螺帽.....	2
14	07400114	Top Cover (Middle) Hinge.....	上翻蓋.....	1
15	07400115	Screw (9/64-40X6).....	螺絲.....	7
16	07400116	Top Cover (Front).....	上蓋(前).....	1
17	07400117	Plug Screw (M12-1.75X7).....	止油螺絲.....	1
18	07400118	Top Cover (Front) Gasket.....	上蓋墊片(前).....	1
19	07400119	Machine Frame.....	機殼.....	1
20	07400120	Screw (5/16-24X32).....	螺絲.....	3
21	07400121	Washer.....	墊片.....	3
22	07400122	Machine Frame End Cover Gasket.....	防油墊片.....	1
23	07400123	Machine Frame End Cover.....	前方圓蓋.....	1
24	07400124	O-Ring.....	O 型橡膠環.....	1
25	07400125	Screw (3/8-24X8).....	螺絲.....	1
26	07400126	Plug Screw (M14-1X4).....	止油螺絲.....	2
27	07400127	Screw (1/4-28X32.5).....	螺絲.....	2
28	07400128	Washer.....	墊片.....	3
29	07400129	Crank Chamber Cover Oil Shield.....	上座防油擋板.....	1
30	07400130	Sewing Head Oil Defense.....	車台結合防油擋板.....	1
31	07400131	Sewing Head Key.....	車台四角固定銷.....	2
32	07400132	Screw (9/64-40X8).....	螺絲.....	2
33	07400133	Sewing Head.....	車頭.....	1
34	07400134	Screw (1/4-28X20).....	螺絲.....	1
35	07400135	Pin.....	插銷.....	1
36	07400136	Knife Driving Connection Oil Guard.....	油槽.....	1
37	07400137	Knife Driving Connection Felt.....	油棉.....	1
38	07400138	Thread Carrier and Hook Driving Rod Oil Guard.....	前座防油擋板.....	1

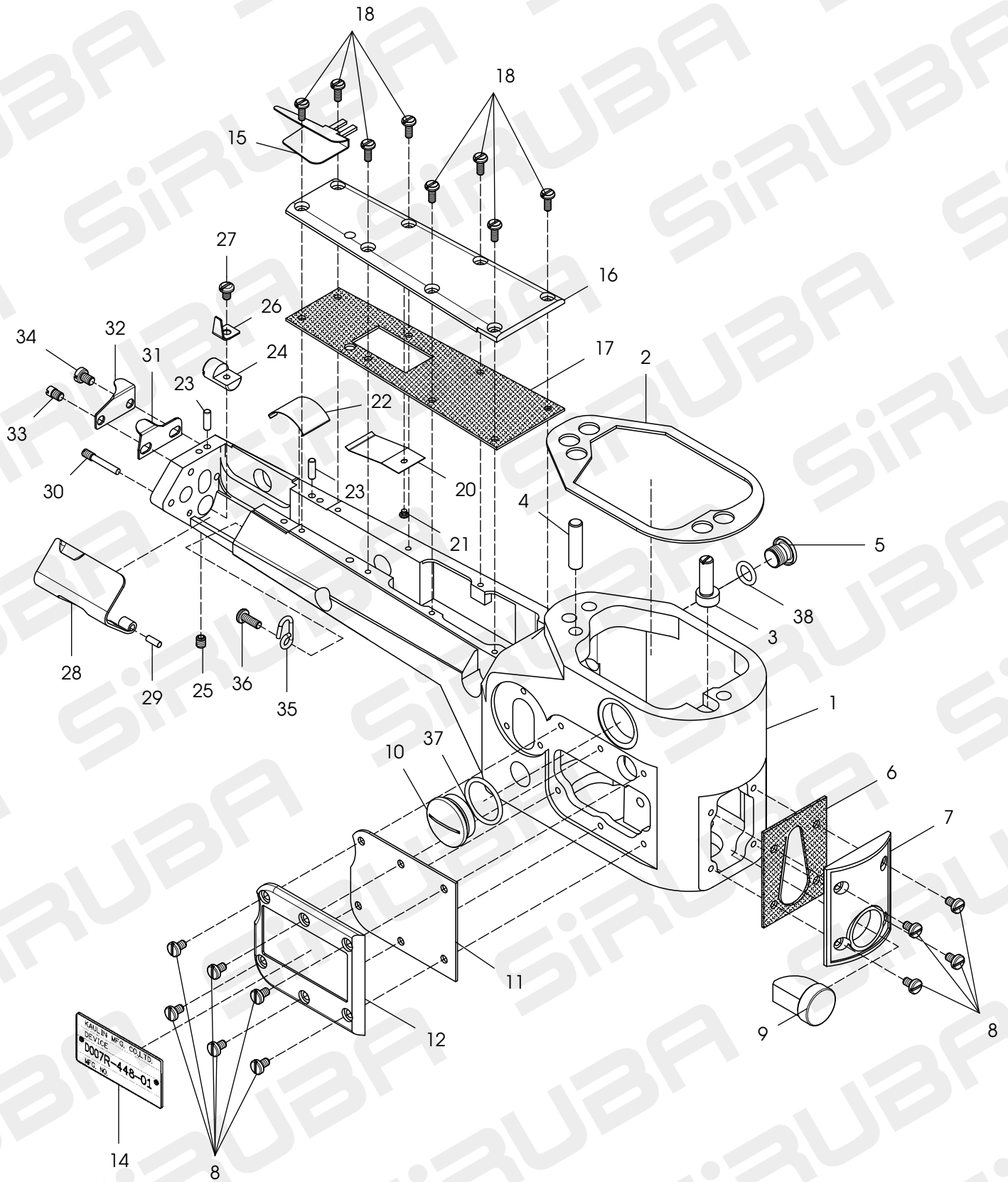


MISCELLANEOUS COVERS (1)

機殼機構(1)

1

Ref.	Parts			Amt.
<u>No.</u>	<u>No.</u>	<u>Description</u>	<u>品 名</u>	<u>Req.</u>
39	07400139	Seal.....	墊片.....	2
40	07400140	Nut.....	螺帽.....	2
41	07400141	Sewing Head Cover(Left).....	螺頭蓋(左).....	1
43	07400143	Oil Guide Wire.....	導油棉線固定架.....	1
44	07400144	Frame Chip Guard Washer.....	導布蓋固定墊片.....	1
45	07400145	Frame Chip Guard.....	導布蓋.....	1
46	07400146	Frame Chip Guard Spring.....	導布蓋彈簧.....	1
47	07400147	Screw (M5-0.8X8.5).....	螺絲.....	1
48	07400148	Sewing Head Cover (Front).....	車台前蓋.....	1
49	07400149	Oil Seal Plug.....	止油塞.....	1
50	07400150	Screw (9/64-40X7).....	螺絲.....	2
51	07400151	Emblem.....	銘牌.....	1
52	07400152	Emblem.....	銘牌.....	1
53	07400153	Seal Gasket.....	止油墊片.....	1
55	07400155	O-Ring.....	O 型橡膠環.....	2
56	07400156	Screw (M8-1.25X5.5).....	螺絲.....	2
57	07400157	Cover.....	馬達側蓋.....	1
58	07400158	Screw (M4-0.7X30).....	螺絲.....	2
59	07400159	Retaining Ring.....	扣環.....	1
60	07400160	Retaining Ring.....	扣環.....	1
61	07400161	Motor Cover.....	馬達護蓋.....	1
62	07400162	Screw (M4-0.7X12).....	螺絲.....	2
63	07400163	Washer.....	墊片.....	4
64	07400164	Rivet.....	鉚釘.....	2
65	07400165	Warning Sticker.....	警告貼紙.....	1
66	07400166	Warning Sticker.....	警告貼紙.....	1
67	07400167	Cover.....	打線器護蓋.....	1
68	07400168	Screw (M4-0.7X8).....	螺絲.....	2



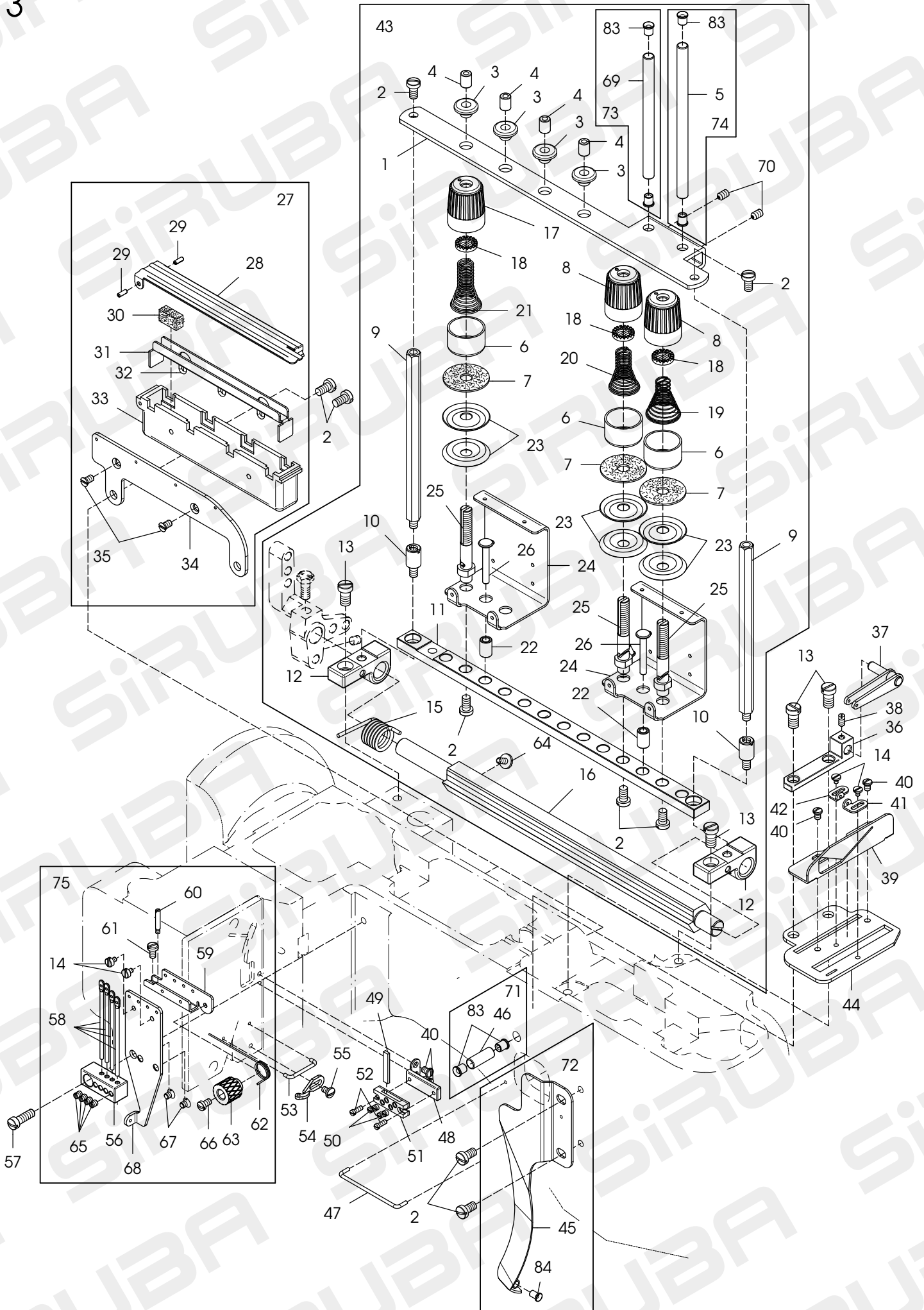
## MISCELLANEOUS COVERS (2)

機殼機構(2)

2

Ref.	Parts			Amt.
No.	No.	Description	品名	Req.
1	07400201	Cylinder Frame.....	圓筒部機殼.....	1
2	07400202	Sewing Head Oil Defense.....	防油擋板.....	1
3	07400203	Alignment Pin.....	調節插銷.....	1
4	07400204	Knock Pin.....	頂出銷.....	1
5	07400205	Screw(3/8-24X6).....	螺絲.....	1
6	07400206	Seal Gasket.....	止油墊片.....	1
7	07400207	Cylinder Frame Cover (Front).....	前蓋.....	1
8	07400208	Screw (9/64-40X8).....	螺絲.....	10
9	07400209	Oil Gauge.....	油錶.....	1
10	07400210	Screw (M22-1.5X4.5).....	螺絲.....	1
11	07400211	Seal Gasket.....	止油墊片.....	1
12	07400212	Cylinder Frame Cover (Left).....	左蓋.....	1
14	07400214	Model Plate.....	型號銘牌.....	1
15	07400215	Folder.....	導布器.....	1
16	07400216	Cylinder Frame Cover (Upper).....	上蓋.....	1
17	07400217	Seal Gasket.....	止油墊片.....	1
18	07400218	Screw (1/8-44X8).....	螺絲.....	8
20	07400220	Dust Defender (Upper).....	防塵蓋(上).....	1
21	07400221	Screw (3/32-56X1.8).....	螺絲.....	1
22	07400222	Dust Defender (Lower).....	防塵蓋(下).....	1
23	07400223	Pin.....	插銷.....	2
24	07400224	Looper Cover Spring Support.....	彈簧片座.....	1
25	07400225	Screw (11/64-40X4).....	螺絲.....	1
26	07400226	Looper Cover Spring.....	下勾針蓋彈簧片.....	1
27	07400227	Screw (9/64-40X5).....	螺絲.....	1
28	07400228	Lopper Cover.....	下勾針蓋.....	1
29	07400229	Pin.....	插銷.....	1
30	07400230	Screw (9/64-40X5.7).....	螺絲.....	1
31	07400231	Chain-off Cutting Knife.....	割線刀.....	1
32	07400232	Chain-off Cutting Knife Guard.....	割線刀擋.....	1
33	07400233	Screw (M4-0.7X4.5).....	螺絲.....	1
34	07400234	Screw (M4-0.7X5.7).....	螺絲.....	1
35	07400235	Looper Thread Guide Wire.....	過線圈.....	1
36	07400236	Screw (9/64-40X10).....	螺絲.....	1
37	07400237	O-Ring.....	O型橡膠環.....	1
38	07400238	O-Ring.....	O型橡膠環.....	1



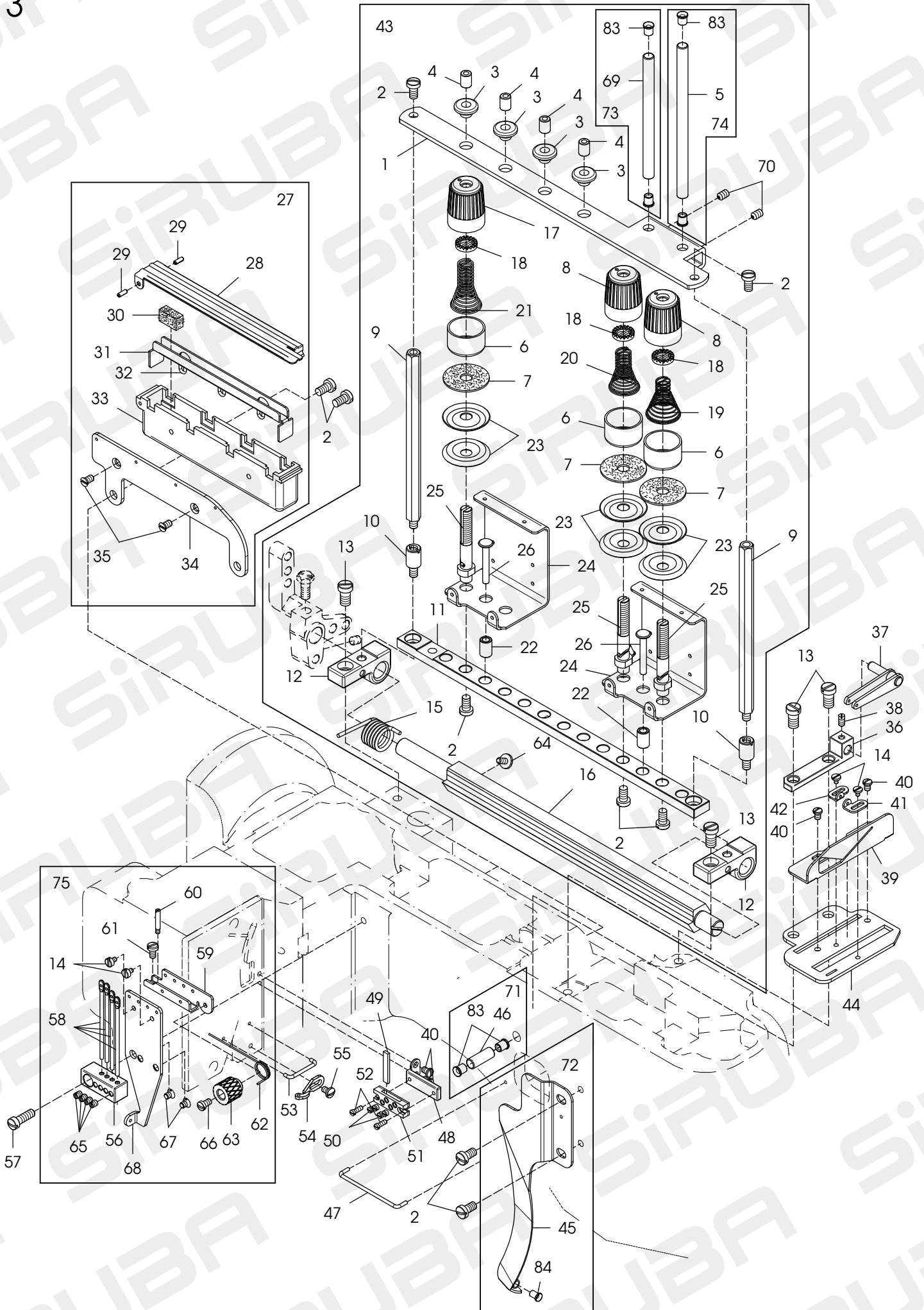


MISCELLANEOUS THREAD EYELETS-4NEEDLE

過線機構-四針六線

3

Ref.	Parts			Amt.
No.	No.	Description	品名	Req.
1	07400301	Thread Guide Plate.....	線架板.....	1
2	07400302	Screw (11/64-40X7.8).....	螺絲.....	12
3	07400303	Thread Eyelet Bushing.....	過線孔套圈.....	4
4	07400304	Thread Eyelet.....	過線孔.....	4
5	07400305	Thread Pipe (Long).....	過線管(長).....	1
6	07400306	Spring Retainer.....	彈簧固定座.....	6
7	07400307	Felt.....	氈墊.....	6
8	07400308	Spring Cap.....	彈簧調整鈕.....	2
9	07400309	Thread Guide Plate Support.....	線架板支撐棒.....	2
10	07400310	Screw (11/64-40X7).....	螺絲.....	2
11	07400311	Thread Tension Support.....	上線張力固定座.....	1
12	07400312	Thread Tension Support Bracket.....	上線張力固定座支架.....	2
13	07400313	Screw (7/32-32X9.5).....	螺絲.....	4
14	07400314	Screw (3/32-56X3.1).....	螺絲.....	4
15	07400315	Tension Release Shaft Spring.....	張力釋放軸彈簧.....	1
16	07400316	Tension Release Shaft.....	張力釋放軸.....	1
17	07400317	Spring Cap.....	彈簧調整鈕.....	4
18	07400318	Tension Spring Disc Support.....	張力彈簧調整圓盤.....	6
19	07400319	Looper Thread Tension Spring.....	下勾針張力彈簧.....	1
20	07400320	Top Cover Thread Tension Spring.....	上飾線張力彈簧.....	1
21	07400321	Needle Thread Tension Spring.....	針線張力彈簧.....	4
22	07400322	Tension Release Pin Bushing.....	張力釋放插銷套管.....	7
23	07400323	Thread Tension Disc.....	張力調整盤.....	12
24	07400324	Thread Tension Disc Eyelet.....	張力調整過線架.....	3
25	07400325	Tension Post.....	張力彈簧支柱.....	6
26	07400326	Tension Release Pin.....	張力釋放插銷.....	7
27	07400327	SP Device , Complete C. Set.....	針線矽油組.....	1
28	07400328	Oil Cup Lip.....	矽油儲存槽蓋.....	1
29	07400329	Hinge Pin.....	鉸鏈插銷.....	2
30	07400330	SP Felt.....	SP 吸油氈.....	4
31	07400331	SP Felt Stay.....	SP 吸油氈支柱.....	1
32	07400332	Oil Wick.....	油芯.....	1
33	07400333	SP Container.....	矽油儲存槽.....	1
34	07400334	SP Container Support.....	矽油儲存槽固定座.....	1
35	07400335	Screw (9/64-40X4.6).....	螺絲.....	2
36	07400336	Thread Take-up Eyelet Holder.....	提線桿托架.....	1
37	07400337	Thread Take-up Eyelet.....	提線桿.....	1
38	07400338	Screw (1/8-44X5).....	螺絲.....	1
39	07400339	Looper Thread Take-up Guide.....	下勾針提線桿護架.....	1
40	07400340	Screw (1/8-44X4.3).....	螺絲.....	4



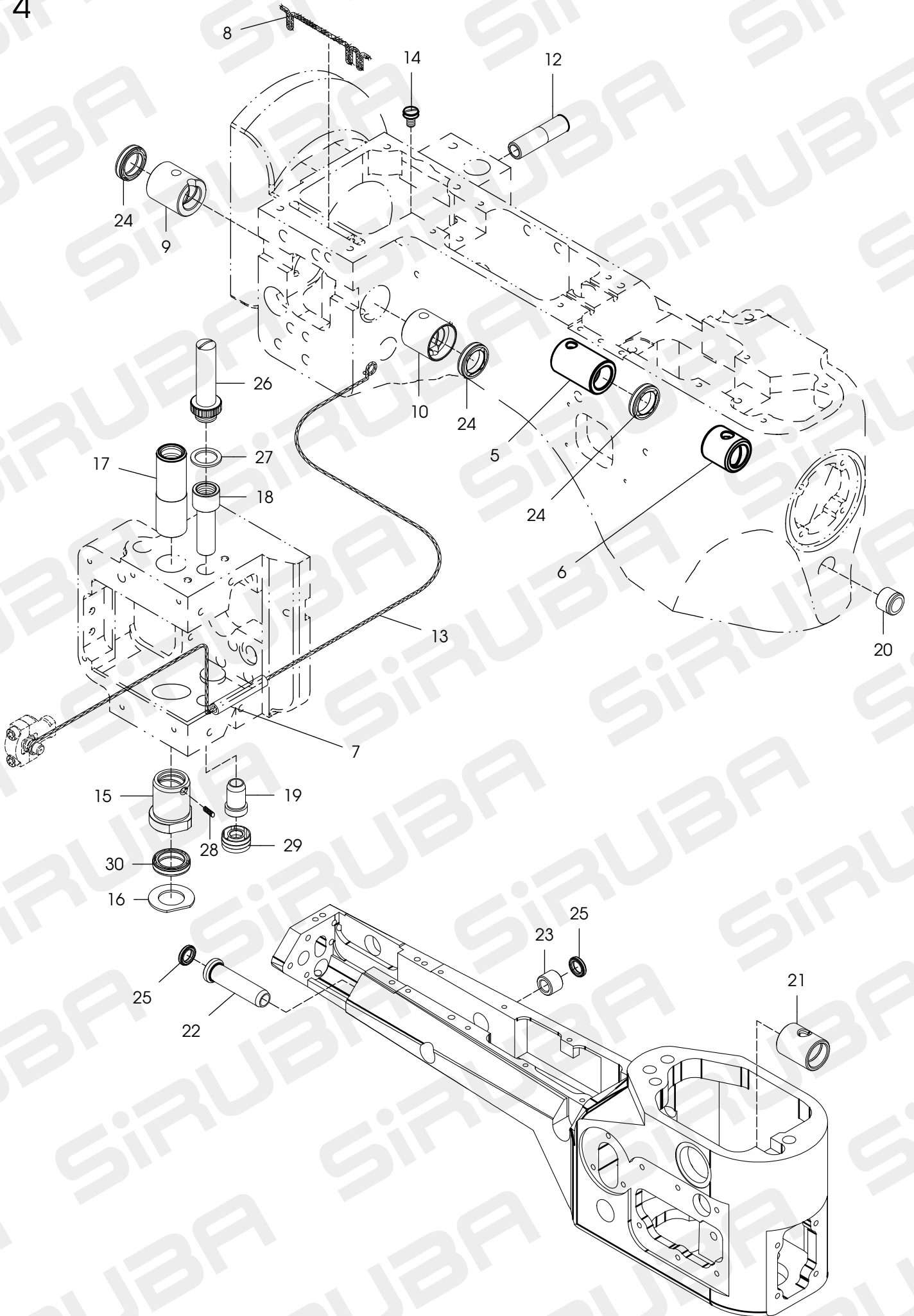
MISCELLANEOUS THREAD EYELETS-4NEEDLE

過線機構-四針六線

3

Ref.	Parts			Amt.
No.	No.	Description	品名	Req.
41	07400341	Looper Thread Take-up Eyelet(Front).....	下勾針提線桿.....	1
42	07400342	Looper Thread Take-up Eyelet(Rear).....	下勾針提線桿.....	1
43	07400343	Thread Guide C.Set (4 Needle).....	線架組(四針六線).....	1
44	07400344	Eyelet Supporting Plate.....	提線桿固定板.....	1
45	07400345	Looper Thread Guard.....	下勾針線導架.....	1
46	07400346	Top Cover Thread Pipe.....	上飾線過線導管.....	1
47	07400347	Looper Thread Guide Wire (Upper).....	下勾針線導架金屬線.....	1
48	07400348	Needle Thread Strike-off Pin Holder Bracket....	打線片固定架.....	1
49	07400349	Needle Thread Strike-off Pin.....	打線片.....	4
50	07400350	Screw (1/8-44X2).....	螺絲.....	4
51	07400351	Needle Thread Strike-off Pin Holder.....	打線片固定座.....	1
52	07400352	Screw (3/32-56X6.2).....	螺絲.....	2
53	07400353	Needle Thread Guide Wire.....	針線導架金屬線.....	1
54	07400354	Head Cover Thread Eyelet.....	車台前蓋過線孔.....	1
55	07400355	Screw (1/8-44X4.4).....	螺絲.....	1
56	07400356	Needle Thread Eyelet Holder.....	針線過線棒座.....	1
57	07400357	Screw (11/64-40X13).....	螺絲.....	1
58	07400358	Needle Thread Eyelet.....	針線過線棒.....	4
59	07400359	Stitch Unlocker Mounting Bracket.....	過線架.....	1
60	07400360	Screw (M2.3-0.4X3).....	螺絲.....	1
61	07400361	Screw (1/8-44X5.9).....	螺絲.....	1
62	07400362	Stitch Unlocking Spring.....	過線彈簧.....	1
63	07400363	Stitch Unlocking Spring Holder.....	過線彈簧調節鈕.....	1
64	07400364	Screw (1/8-44X6.4).....	螺絲.....	1
65	07400365	Screw (1/8-44X3.4).....	螺絲.....	4
66	07400366	Screw (1/8-44X5.7).....	螺絲.....	1
67	07400367	Screw (1/8-44X2.7).....	螺絲.....	2
68	07400368	Stitch Unlocking Holder.....	過線座.....	1
69	07400369	Thread Pipe (Short).....	過線管(短).....	1
70	07400370	Screw (M4-0.7X6).....	螺絲.....	2
71	07400371	Top Cover Thread Pipe C.Set.....	上飾線過線導管組.....	1
72	07400372	Looper Thread Guard C.Set.....	下勾針線導架組.....	1
73	07400373	Thread Pipe C.Set (Short).....	過線管組(短).....	1
74	07400374	Thread Pipe C.Set (Long).....	過線管組(長).....	1
75	07400375	Needle Thread Eyelet C.Set.....	針線過線棒組.....	1
83	07400383	Thread Eyelet.....	過線陶瓷(深灰).....	6
84	07400384	Thread Eyelet.....	過線陶瓷(深灰).....	1

4



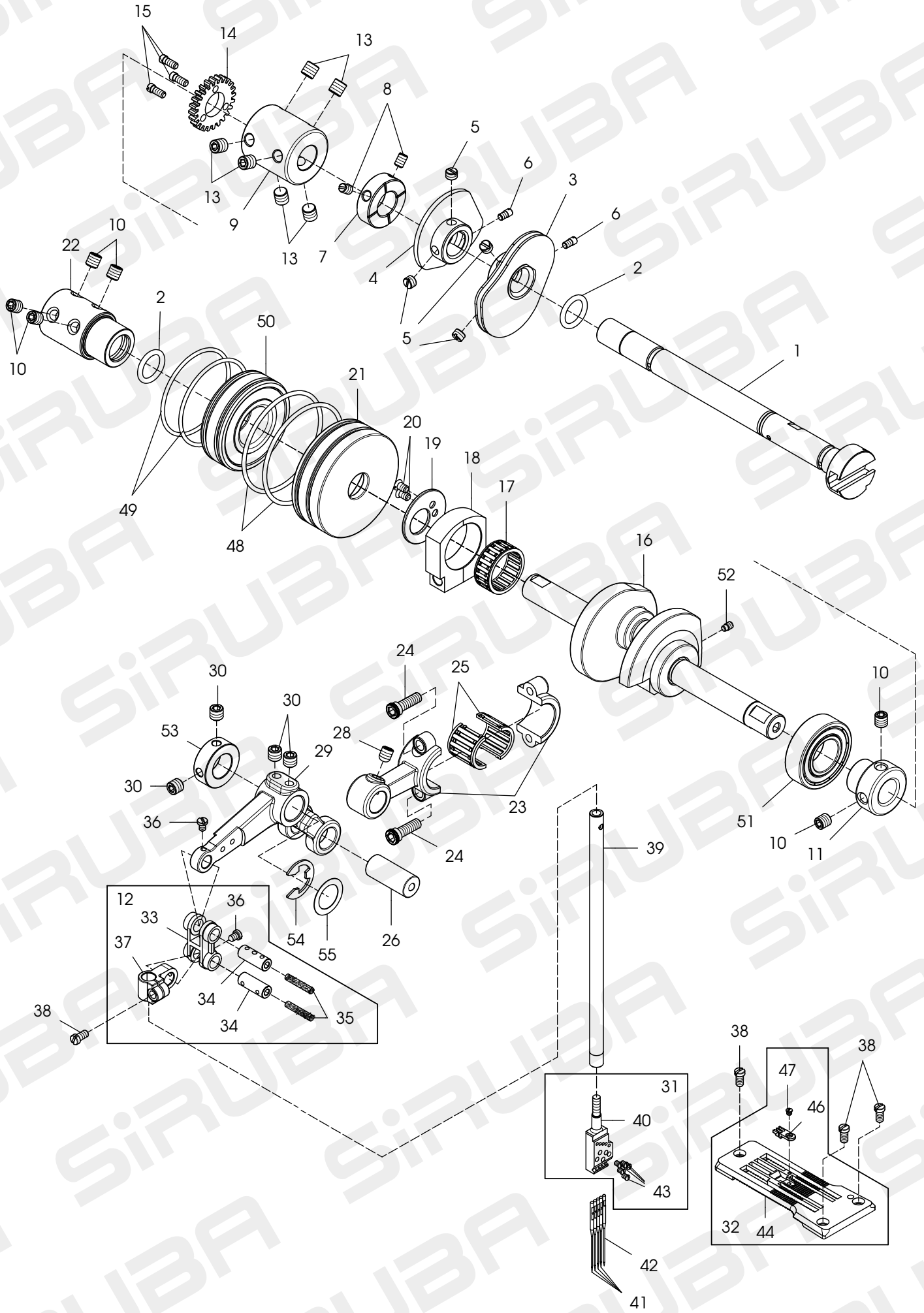
MISCELLANEOUS BUSHINGS

套管機構

4

Ref.	Parts			Amt.
<u>No.</u>	<u>No.</u>	<u>Description</u>	<u>品 名</u>	<u>Req.</u>
5	07400405	Main Shaft Bushing (Rear).....	主軸套管(後).....	1
6	07400406	Main Shaft Bushing (Front).....	主軸套管(前).....	1
7	07400407	Plastic Pipe.....	塑膠管.....	1
8	07400408	Oil Wick (Laced Wire).....	油芯.....	1
9	07400409	Knife Driving Lever Bushing (Rear).....	傳動刀軸銅套(後).....	1
10	07400410	Knife Driving Lever Bushing (Front).....	傳動刀軸銅套(前).....	1
12	07400412	Presser Foot Lifter Stop Plunger Bushing...	抬押腳軸套管.....	1
13	07400413	Oil Wick.....	油芯.....	1
14	07400414	Screw (11/64-40X6.4).....	螺絲.....	1
15	07400415	Thread Carrier and Hook Sleeve Bushing.....	上飾線銅套.....	1
16	07400416	Bushing Ring.....	墊片.....	1
17	07400417	Presser Bar Bushing.....	押腳套管.....	1
18	07400418	Needle Bar Bushing(Upper).....	針柱套管(上).....	1
19	07400419	Needle Bar Bushing(Lower).....	針柱套管(下).....	1
20	07400420	Looper Driving Lever Shaft Bushing.....	下勾針驅動軸套管.....	1
21	07400421	Looper Rocker Shaft Bushing (Front).....	下勾針搖桿軸套管(前)....	1
22	07400422	Looper Rocker Shaft Bushing (Rear).....	下勾針搖桿軸套管(後)....	1
23	07400423	Feed Bar Eccentric Pin Bushing.....	送料具偏心銷套管.....	1
24	07400424	Oil Seal.....	油封.....	3
25	07400425	Oil Seal.....	油封.....	2
26	07400426	Needle Bar Bushing(Upper)Lid.....	針柱套管(上)蓋.....	1
27	07400427	Gasket.....	墊片.....	1
28	07400428	SP Felt.....	SP 吸油氈.....	1
29	07400429	Oil Seal.....	油封.....	1
30	07400430	Oil Seal.....	油封.....	1

5



MAIN SHAFT DRIVING MECHANISM

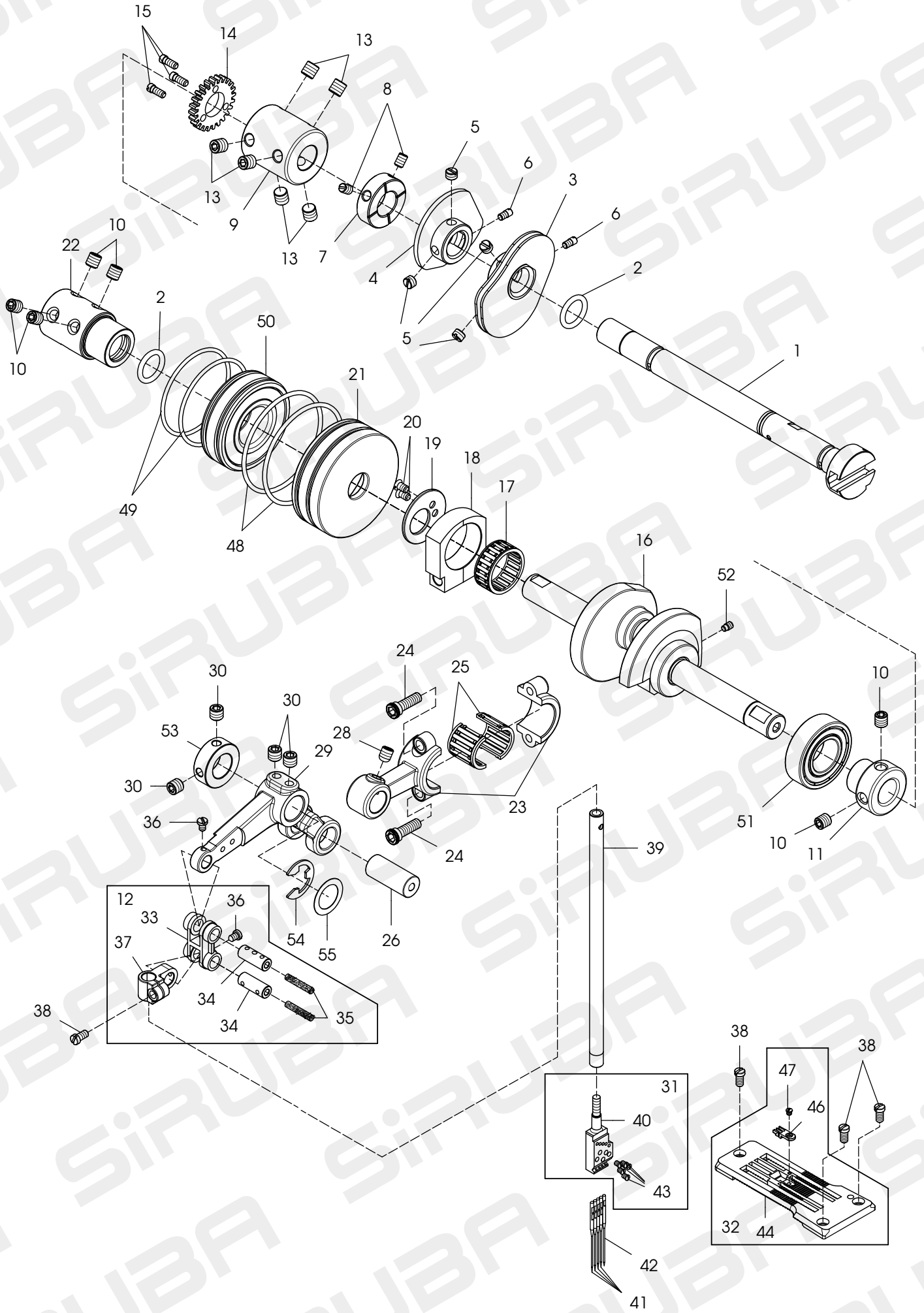
上主軸與針棒機構

5

Ref.	Parts			Amt.
No.	No.	Description	品 名	Req.
1	07400501	Main Shaft.....	主軸.....	1
2	07400502	O-ring.....	O 型橡膠環.....	2
3	07400503	Looper Thread Take-Up.....	底線提線凸輪.....	1
4	07400504	Top Cover Thread Take-Up.....	上飾線提線凸輪.....	1
5	07400505	Screw (7/32-32X3.6).....	螺絲.....	4
6	07400506	Positioning Screw (1/8-44X4).....	螺絲.....	2
7	07400507	Collar.....	軸環.....	1
8	07400508	Screw (11/64-40X6).....	螺絲.....	2
9	07400509	Front and Rear Connecting Sleeve.....	前後軸連接襯套.....	1
10	07400510	Screw (M6-1X6).....	螺絲.....	6
11	07400511	Collar.....	固定軸環.....	1
12	07400512	Needle Bar Connecting Link C.Set.....	針柱連桿組.....	1
13	07400513	Screw (1/4-28X6.3).....	螺絲.....	6
14	07400514	Pump Driving Gear.....	油泵驅動齒輪.....	1
15	07400515	Screw (1/8-44X6).....	螺絲.....	3
16	07400516	Crankshaft.....	曲軸.....	1
17	07400517	Needle Bearing.....	滾針軸承.....	1
18	07400518	Thread Carrier and Hook Driving Rod (Right)...	上飾線驅動培林外殼.....	1
19	07400519	Needle Bearing Retaining Plate.....	滾針軸承扣板.....	1
20	07400520	Screw (9/64-40X4.8).....	螺絲.....	2
21	07400521	Bearing Sleeve.....	培林襯套.....	1
22	07400522	Motor Connecting Rod Sleeve.....	馬達連接襯套.....	1
23	07400523	Needle Bar Lever Connecting Rod.....	針柱槓桿連桿.....	1
24	07400524	Screw (3/16-32X14).....	螺絲.....	2
25	07400525	Needle Bearing.....	滾針軸承.....	1
26	07400526	Needle Bar Lever Connecting Rod Pin.....	針柱槓桿連桿插銷.....	1
28	07400528	Screw (7/32-32X4.5).....	螺絲.....	1
29	07400529	Needle Bar Lever.....	針柱槓桿.....	1
30	07400530	Screw (M5-0.8X5).....	螺絲.....	4
31	07400531	Needle Clamp C.Set.....	針鉗組.....	1
32	07400532	Stitch Plate C.Set.....	針板組.....	1
33	07400533	Needle Bar Connecting Link.....	針柱連桿.....	1
34	07400534	Needle Bar Connecting Link Pin.....	針柱連桿插銷.....	2
35	07400535	Oil Wick.....	吸油繩.....	2
36	07400536	Screw (1/8-44X5).....	螺絲.....	2
37	07400537	Needle Bar Connecting Bracket.....	針柱連結架.....	1
38	07400538	Screw (9/64-40X7.4).....	螺絲.....	4
39	07400539	Needle Bar.....	針柱.....	1



5



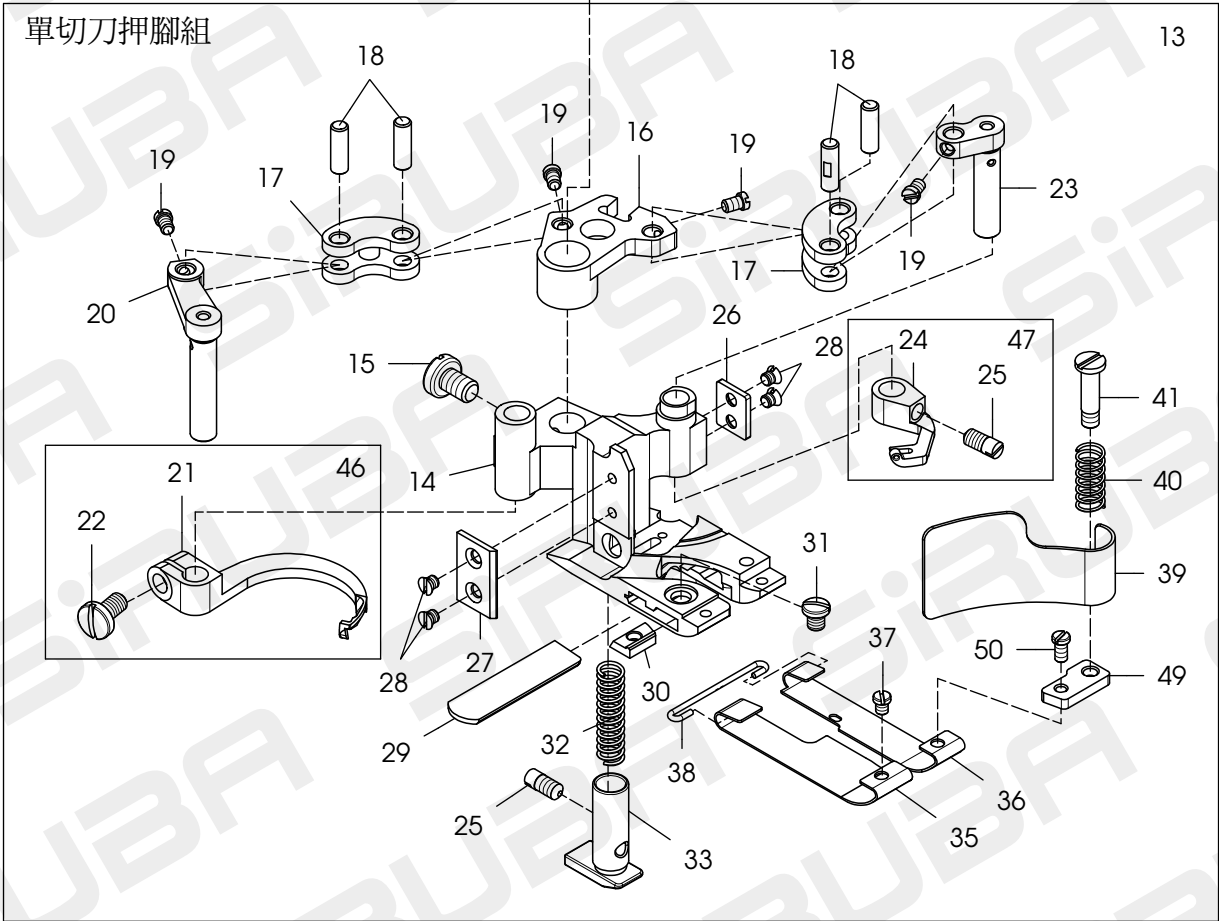
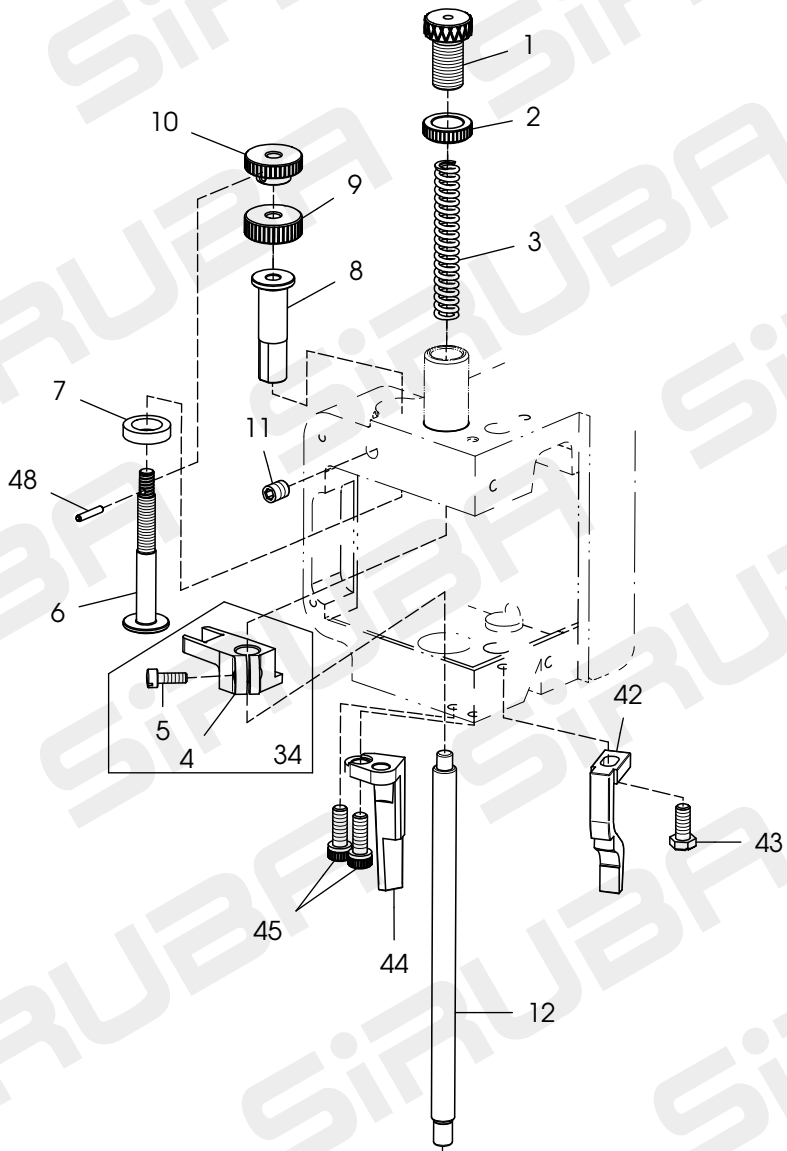
MAIN SHAFT DRIVING MECHANISM

上主軸與針棒機構

5

Ref. No.	Parts No.	Description	品名	Amt. Req.
40	★	Needle Clamp.....	針錙.....	1
41	★ 07400541	Needle.....	擊針.....	4
42	★ 07400542	Retainer.....	假針.....	1
43	07400543	Screw (3/32-56X2.5).....	螺絲.....	5
44	★	Stitch Plate.....	單切針板.....	1
46	★	Stitch Plate Tongue.....	針板舌.....	1
47	07400547	Screw (3/32-56X2).....	螺絲.....	1
48	07400548	O-ring.....	O 型橡膠環.....	2
49	07400549	O-ring.....	O 型橡膠環.....	2
50	07400550	Ball Bearing.....	滾珠軸承.....	1
51	07400551	Ball Bearing.....	滾珠軸承.....	1
52	07400552	Seal Plug.....	止油塞.....	1
53	07400553	Collar.....	軸環.....	1
54	07400554	Retaining Ring.....	E 型扣環.....	1
55	07400555	Thrust Ring.....	墊片.....	1

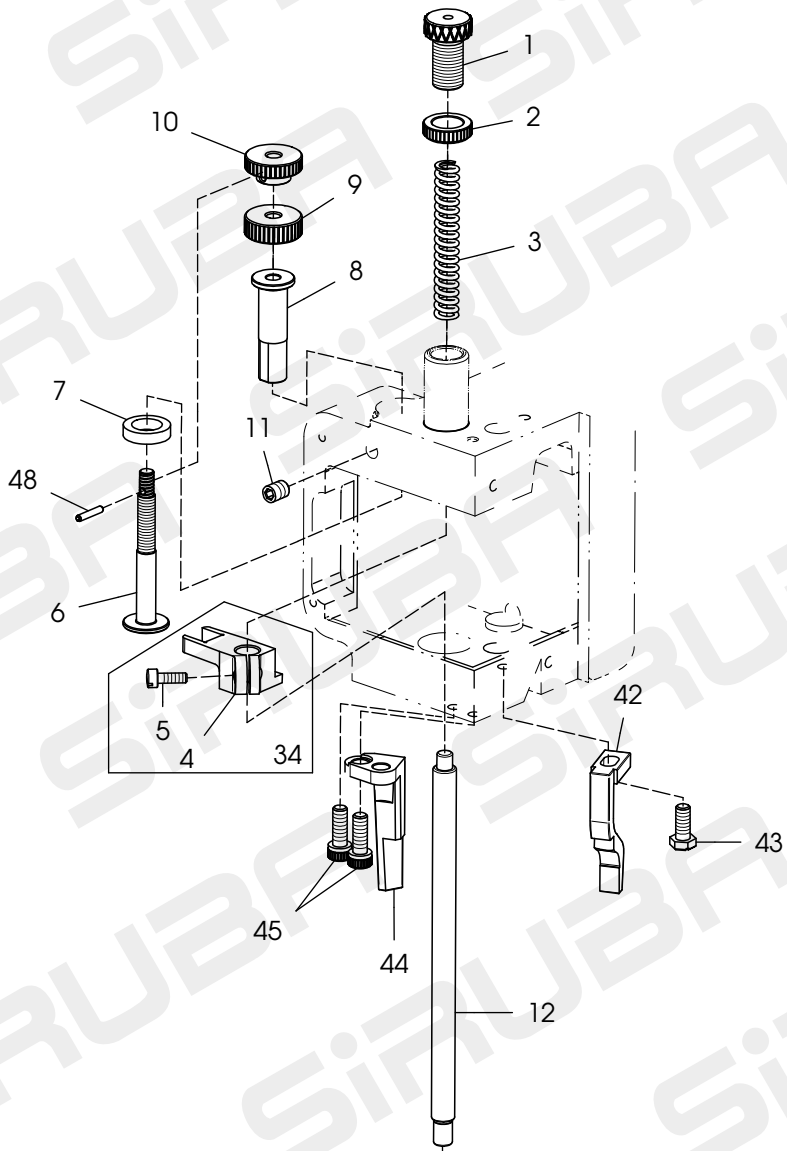
★ 請參照附件 1【針距規格表】



ONE SIDE CUT PRESSER FOOT MECHANISM

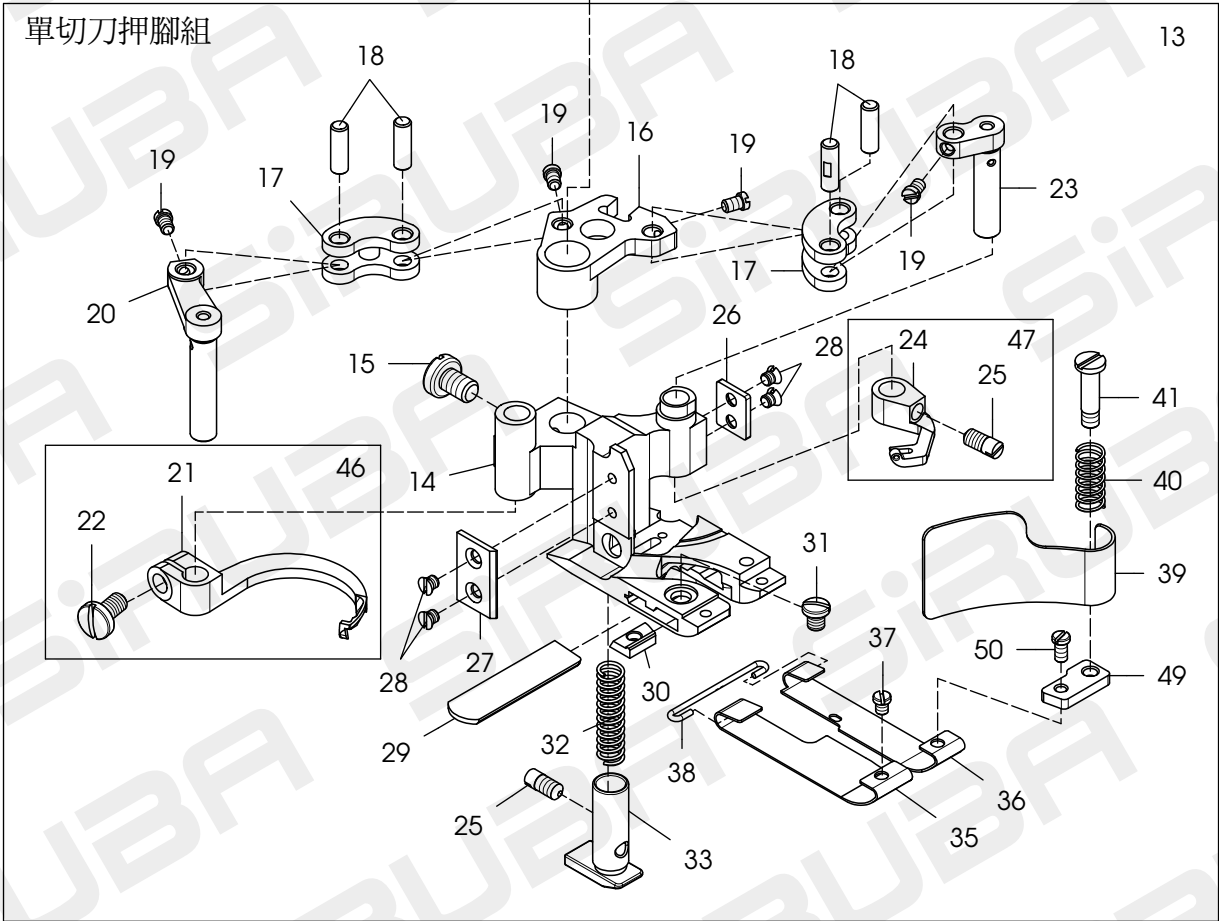
Ref.	Parts			Amt.
No.	No.	Description	品 名	Req.
1	07400601	Adjusting Screw (M12-1X17).....	調節螺絲.....	1
2	07400602	Lock Nut.....	保險螺帽.....	1
3	07400603	Presser Spring.....	押腳彈簧.....	1
4	07400604	Presser Bar Connecting Bracket.....	押腳推桿連結架.....	1
5	07400605	Screw (11/64-40X10.3).....	螺絲.....	1
6	07400606	Presser Foot Adjusting Screw.....	押腳調節彈簧.....	1
7	07400607	Connecting Bracket Cushion.....	連結架襯墊.....	1
8	07400608	Presser Bar Guide.....	押腳導件.....	1
9	07400609	Lock Nut.....	保險螺帽.....	1
10	07400610	Adjusting Nut.....	調節螺帽.....	1
11	07400611	Screw (M6-1X8).....	螺絲.....	1
12	07400612	Presser Bar.....	押腳推桿.....	1
13	★ 07400613	One Side Cut Presser Foot C. Set.....	單切押具組.....	1
14	★ 07400614	One Side Cut Presser Foot.....	單切押腳.....	1
15	07400615	Screw (11/64-40X6.3).....	螺絲.....	1
16	07400616	Carrier/Hook Driving Segment.....	上勾針驅動扇形片.....	1
17	07400617	Carrier/Hook Driving Lever Link.....	上勾針驅動連桿.....	2
18	07400618	Link Pin.....	連桿插銷.....	4
19	07400619	Screw (3/32-56X3.3).....	螺絲.....	4
20	07400620	Thread Hook Driving Lever.....	勾針驅動槓桿.....	1
21	★ 07400621	Top Cover Thread Hook.....	上飾線勾針(長).....	1
22	07400622	Screw (9/64-40X6.8).....	螺絲.....	1
23	07400623	Top Cover Thread Carrier Driving Lever... ..	上飾線托架驅動槓桿.....	1
24	★ 07400624	Top Cover Thread Carrier.....	上飾線勾針(短).....	1
25	07400338	Screw (1/8-44X5).....	螺絲.....	2
26	07400626	Presser Foot Attach Piece (Right).....	押腳連接片(右).....	1
27	07400627	Presser Foot Attach Piece (Left).....	押腳連接片(左).....	1
28	07400628	Screw(3/32-56X1.5).....	螺絲.....	4
29	★ 07400629	Lower Knife.....	下切刀片.....	1
30	★ 07400630	Lower Knife Clamp.....	下刀片夾板.....	1
31	07400631	Screw (1/8-44X3.5).....	螺絲.....	1
32	07400632	Yielding Section Spring.....	押腳輔助座彈簧.....	1
33	★ 07400633	Yielding Section.....	押具輔助座.....	1
34	07400634	Presser Bar Connecting Bracket C.Set.....	押腳推桿連結架組.....	1
35	★ 07400635	Presser Foot Spring Plate (Left).....	押具押板(左).....	1
36	★ 07400636	Presser Foot Spring Plate (Right).....	押具押板(右).....	1
37	07400637	Screw (3/32-56X2.6).....	螺絲.....	1
38	07400638	Spring Plate Holder.....	彈簧片固定座.....	1
39	07400639	Chip Guard.....	切角防護片.....	1

★ 請參照附件 1【針距規格表】



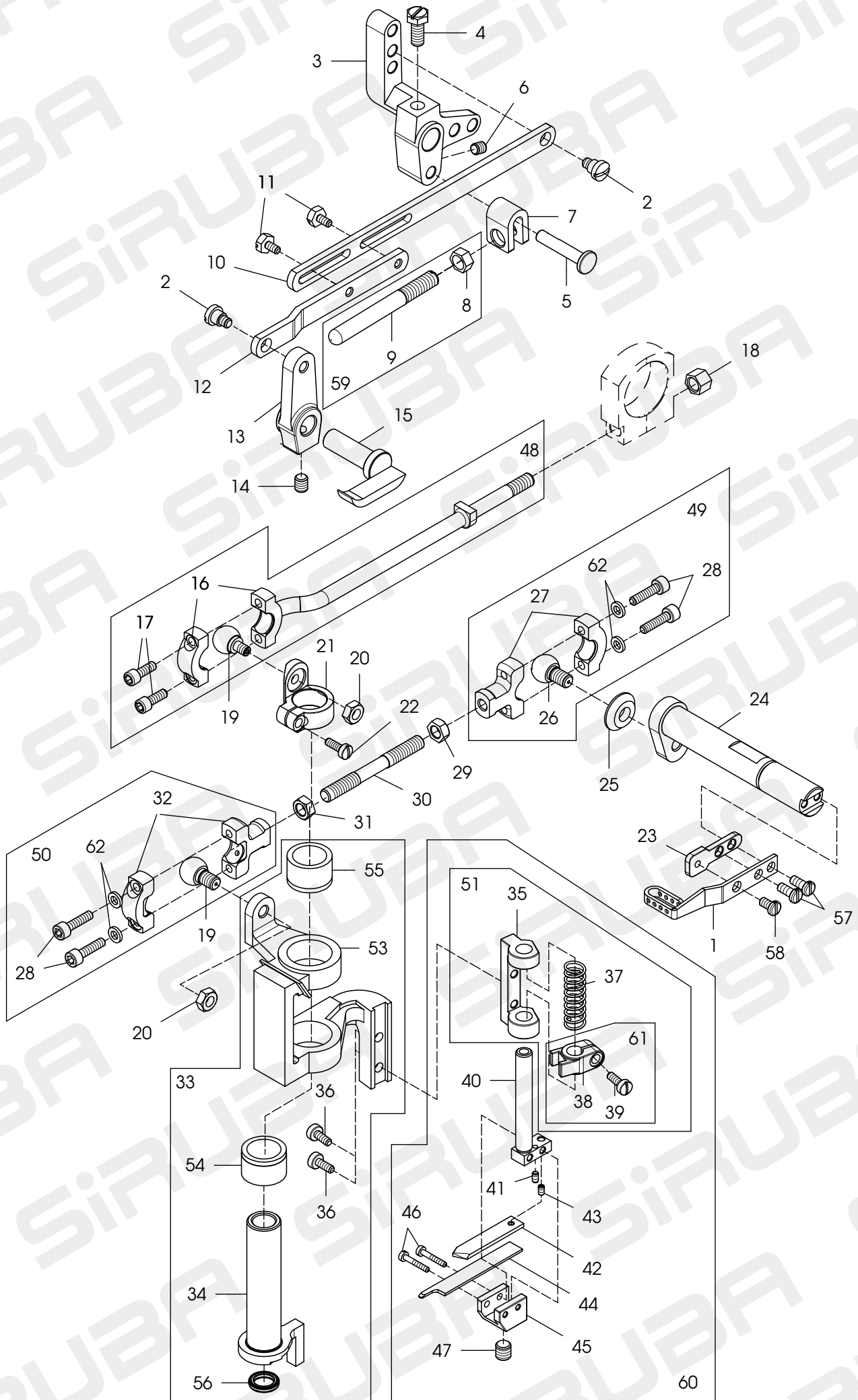
單切刀押腳組

13



ONE SIDE CUT PRESSER FOOT MECHANISM

Ref.	Parts		Amt.
<u>No.</u>	<u>No.</u>	<u>Description</u>	<u>Req.</u>
		<u>品 名</u>	
40	07400640	Chip Guard Spring.....	切角防護片彈簧..... 1
41	07400641	Screw (1/8-44X3.4).....	螺絲..... 1
42	07400642	Presser Foot Guide (Right).....	押腳導件(右)..... 1
43	07400643	Screw (M5-0.8X12).....	螺絲..... 1
44	07400644	Presser Foot Guide (Left).....	押腳導件(左)..... 1
45	07400645	Screw (M5-0.8X14).....	螺絲..... 2
46	07400646	Top Cover Thread Hook C.Set.....	上飾線勾針組(長)..... 1
47	07400647	Top Cover Thread Carrier C.Set.....	上飾線勾針組(短)..... 1
48	07400648	Pin.....	插銷..... 1
49	07400649	Spacer.....	墊塊..... 1
50	07400650	Screw (3/32-56X4.3).....	螺絲..... 1



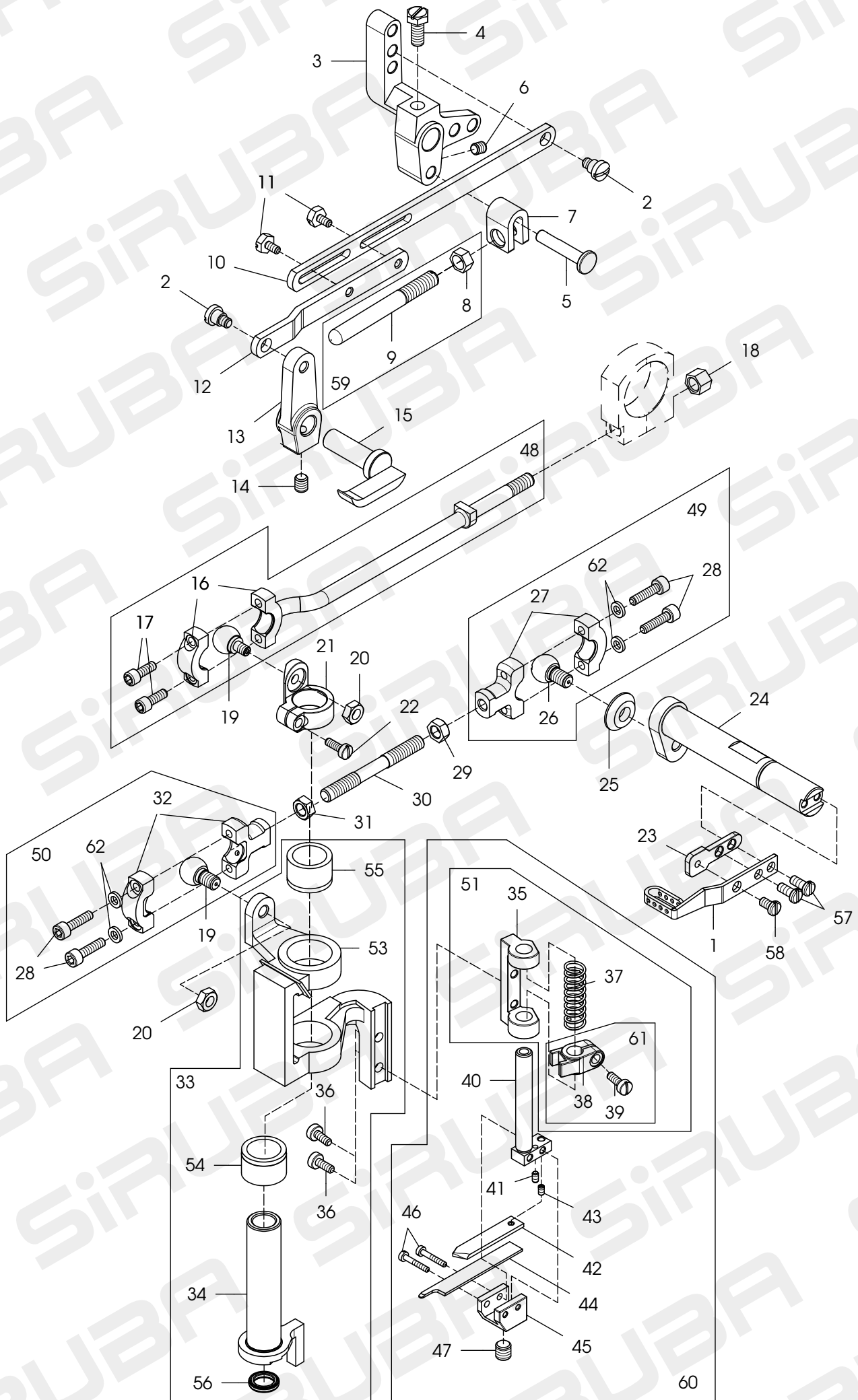
## UPPER KNIFE · CARRIER AND HOOK DRIVING MECHANISM

上切刀及上勾針驅動機構 7

Ref.	Parts			Amt.
No.	No.	Description	品名	Req.
1	07400701	Needle Thread Take-up.....	導線架.....	1
2	07400702	Screw (3/16-32X4).....	螺絲.....	2
3	07400703	Presser Bar Lifter Lever (Large).....	押腳升降槓桿(大).....	1
4	07400704	Screw (7/32-32X12).....	螺絲.....	1
5	07400705	Stop Plunger Segment pin.....	抬押腳插銷.....	1
6	07400530	Screw (M5-0.8X5).....	螺絲.....	1
7	07400707	Stop Plunger Segment.....	抬押腳扣.....	1
8	07400708	Nut.....	螺帽.....	1
9	07400709	Presser Foot Lifter Stop Plunger.....	抬押腳軸.....	1
10	07400710	Presser Foot Lifter Lever Link (Long).....	押腳升降槓桿連桿(長)....	1
11	07400711	Screw (9/64-40X6.1).....	螺絲.....	2
12	07400712	Presser Foot Lifter Lever Link (Short).....	押腳升降槓桿連桿(短)....	1
13	07400713	Presser Bar Lifter Lever (Small).....	押腳升降槓桿(小).....	1
14	07400714	Screw (7/32-32X6).....	螺絲.....	1
15	07400715	Presser Bar Lifter Lever.....	押腳拉桿.....	1
16	07400716	Carrier Hook Driving Rod (Left).....	上飾線驅動珠殼.....	1
17	07400717	Screw (9/64-40X10).....	螺絲.....	2
18	07400718	Nut.....	螺帽.....	1
19	07400719	Rod Ball (Left).....	傳動連結球(左).....	2
20	07400720	Nut.....	螺帽.....	2
21	★ 07400721	Carrier Hook Sleeve Lever.....	勾夾襯套.....	1
22	07400722	Screw(9/64-40X9).....	螺絲.....	1
23	07400723	Bracket.....	托架固定座.....	1
24	07400724	Knife Driving Lever.....	上切刀傳動槓桿.....	1
25	07400725	Steady Washer.....	穩定墊圈.....	1
26	07400726	Knife Driving Connection Ball(Right).....	上切刀驅動連結球(右)....	1
27	07400727	Knife Driving Connection(Right).....	上切刀驅動連結桿(右)....	1
28	07400728	Screw (M3.5-0.6X14).....	螺絲.....	4
29	07400729	Nut (Left-handed Screw).....	螺帽.....	1
30	07400730	Knife Driving Connecting Rod.....	上切刀驅動連結桿.....	1
31	07400731	Nut.....	螺帽.....	1
32	07400732	Knife Driving Connection (Left).....	上切刀驅動連結桿(左)....	1
33	07400733	Knife Holder Bracket C. Set.....	上切刀固定座托架組.....	1
34	07400734	Carrier/Hook Driving Sleeve.....	上飾線驅動襯套.....	1
35	07400735	Knife Holder Shank Support.....	上切刀固定座支架.....	1
36	07400736	Screw (9/64-40X8).....	螺絲.....	2
37	07400737	Knife Holder Spring.....	上切刀固定座彈簧.....	1
38	07400738	Knife Holder Guide Collar.....	刀台襯套.....	1
39	07400739	Screw (9/64-40X9).....	螺絲.....	1

★ 請參照附件 1【針距規格表】



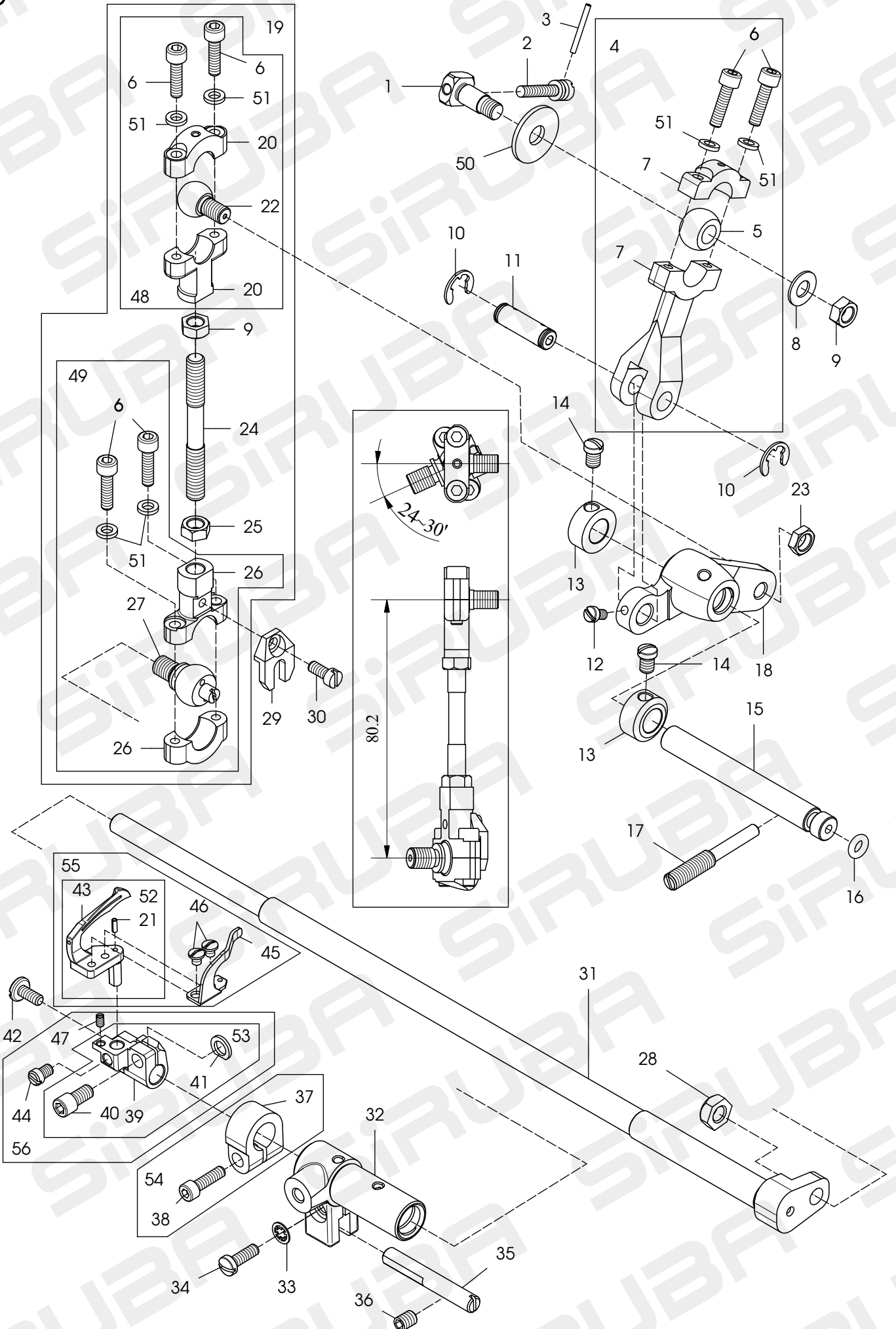


SPREADER MECHANISM

上切刀及上勾針驅動機構 7

Ref. No.	Parts No.	Description	品名	Amt. Req.
40	07400740	Knife Holder Shank.....	上切刀固定座柄.....	1
41	07400741	Screw (3/32-56X3.8).....	螺絲.....	1
42	07400742	Knife Support.....	上切刀支架.....	1
43	07400743	Screw (3/32-56X1.2).....	螺絲.....	1
44	★ 07400744	Upper Knife.....	上切刀片.....	1
45	07400745	Knife Holder.....	上刀片固定座.....	1
46	07400746	Screw (3/32-56X7).....	螺絲.....	2
47	07400747	Screw (1/4-40X6).....	螺絲.....	1
48	07400748	Carrier/Hook Driving Rod C. (Left).....	上飾線驅動珠桿組.....	1
49	07400749	Knife Driving Connection (Right) C. Set... ..	上切刀傳動連結桿(右)組... ..	1
50	07400750	Knife Driving Connection (Left) C. Set.....	上切刀傳動連結桿(左)組.....	1
51	07400751	Knife Holder Guide Collar C. Set.....	刀台組.....	1
53	07400753	Knife Holder Guide Collar.....	刀台座.....	1
54	07400754	Knife Holder Guide Collar Bushing(Top).....	刀台座銅套(上).....	1
55	07400755	Knife Holder Guide Collar Bushing(Under).....	刀台座銅套(下).....	1
56	07400556	Oil Seal.....	油封.....	1
57	07400557	Screw (M3.5-0.6X8).....	螺絲(一字頭).....	2
58	07400558	Screw (M3.5-0.6X6).....	螺絲(一字頭).....	1
59	07400759	Presser Foot Lifter Stop Plunger C.Set.....	抬押腳軸組.....	1
60	07400760	Knife Holder C.Set.....	上刀片固定座組.....	1
61	07400761	Knife Holder Guide Collar C.Set.....	刀台襯套組.....	1
62	07400851	Washer.....	墊片.....	4

★ 請參照附件 1【針距規格表】

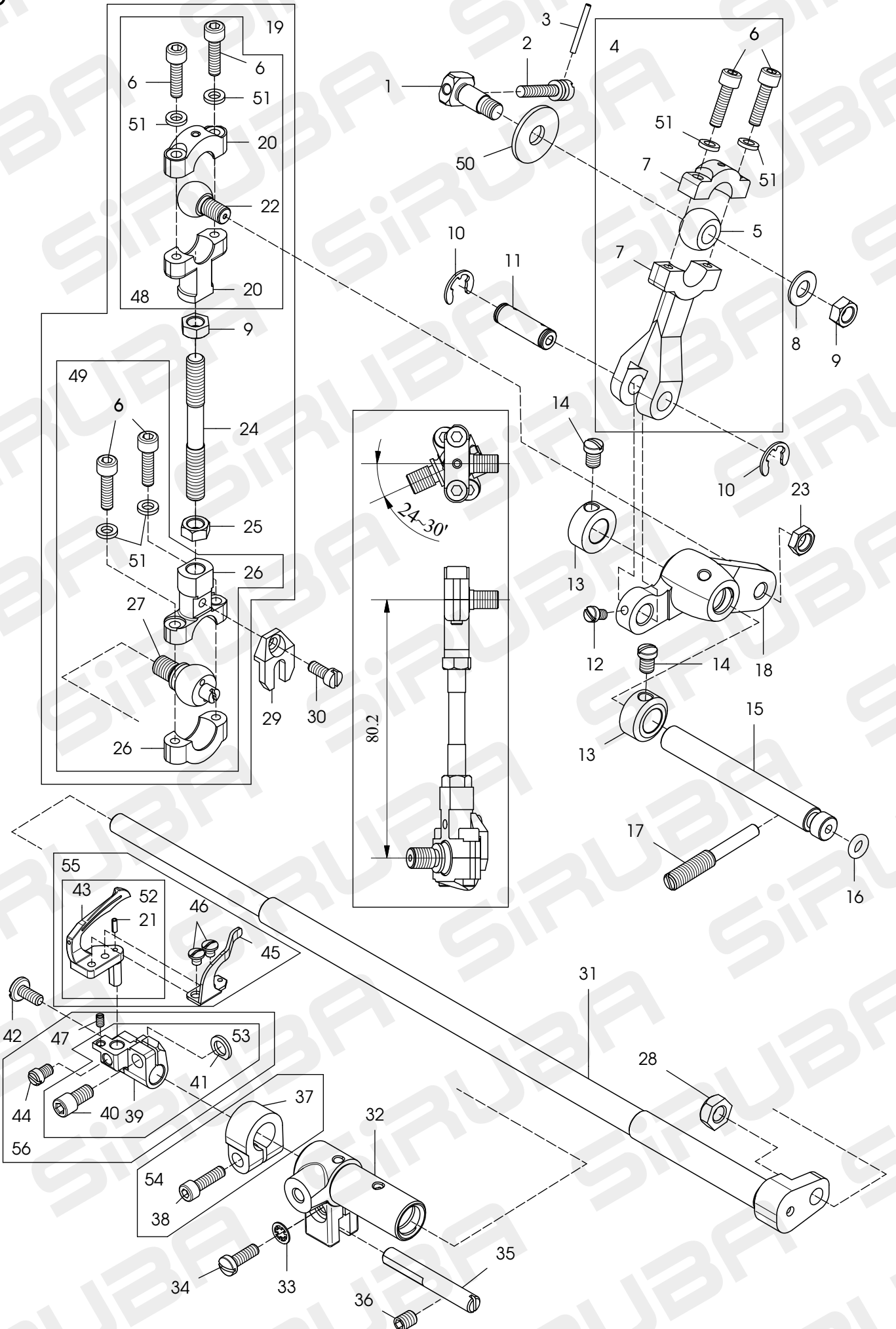


LOOPER DRIVING MECHANISM

下勾針驅動機構

8

Ref.	Parts			Amt.
No.	No.	Description	品名	Req.
1	07400801	Looper Driving Crank Pin.....	下勾針驅動曲柄插銷.....	1
2	07400802	Screw (9/64-40X16.3).....	螺絲.....	1
3	07400803	Roll Pin for Main Shaft.....	插銷.....	1
4	07400804	Looper Lever Driving Rod C. Set.....	下勾針驅動桿組.....	1
5	07400805	Looper Lever Driving Rod Ball.....	下勾針驅動桿球.....	1
6	07400728	Screw (M3.5-0.6X14).....	螺絲.....	6
7	07400807	Looper Lever Driving Rod.....	下勾針驅動桿.....	1
8	07400808	Washer.....	墊片.....	1
9	07400729	Nut (Left-handed Screw).....	螺帽.....	2
10	07400810	Retaining Ring.....	扣環.....	2
11	07400811	Looper Lever Driving Rod Pin.....	下勾針驅動桿插銷.....	1
12	07400812	Screw (1/8-44X5).....	螺絲.....	1
13	07400813	Collar.....	軸環.....	2
14	07400814	Screw (11/64-40X5.8).....	螺絲.....	2
15	07400815	Looper Lever Shaft.....	下勾針槓桿軸.....	1
16	07400816	O-ring.....	O 型橡膠環.....	1
17	07400817	Screw (7/32-32X18).....	螺絲.....	1
18	07400818	Looper Lever.....	下勾針槓桿.....	1
19	07400819	Looper Driving Connection Rod C. Set.....	下勾針驅動連桿組.....	1
20	07400820	Looper Driving Connection(Upper).....	下勾針驅動連桿(上).....	1
21	07400821	Pin.....	插銷.....	1
22	07400822	Looper Driving Connection Ball(Upper)....	下勾針驅動連桿球(上)....	1
23	07400823	Nut.....	螺帽.....	1
24	07400730	Looper Driving Connecting Rod.....	下勾針驅動連結桿.....	1
25	07400731	Nut.....	螺帽.....	1
26	07400826	Looper Driving Connection(Lower).....	下勾針驅動連桿(下).....	1
27	07400827	Looper Driving Connection Ball(Lower)...	下勾針驅動連桿球(下).....	1
28	07400828	Nut.....	螺帽.....	1
29	07400829	Steady Fork.....	穩定叉.....	1
30	07400830	Screw (M3.5-0.6X8).....	螺絲.....	1
31	07400831	Looper Rocker Shaft.....	下勾針搖桿軸.....	1
32	07400832	Looper Rocker Shaft Sleeve.....	下勾針搖桿軸套筒.....	1
33	07400833	Washer.....	墊片.....	1
34	07400107	Screw (9/64-40X10.8).....	螺絲.....	1
35	07400835	Looper Rocker Shaft Sleeve Guide.....	下勾針搖桿軸套筒導件.....	1
36	07400836	Screw (3/16-32X8).....	螺絲.....	1
37	07400837	Collar.....	下勾針搖桿軸環.....	1
38	07400838	Screw(11/64-40X13).....	螺絲.....	1



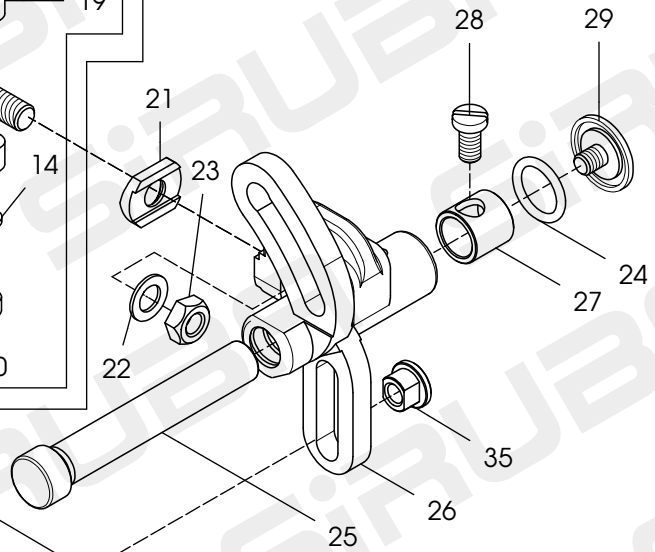
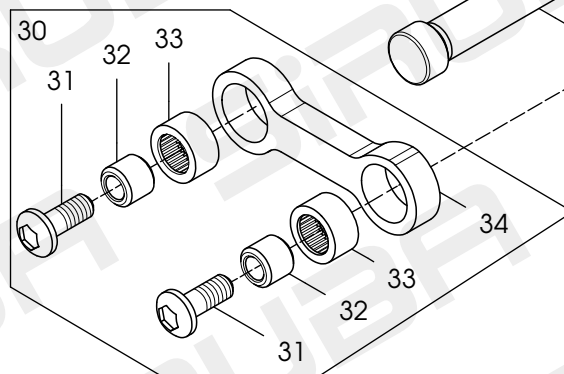
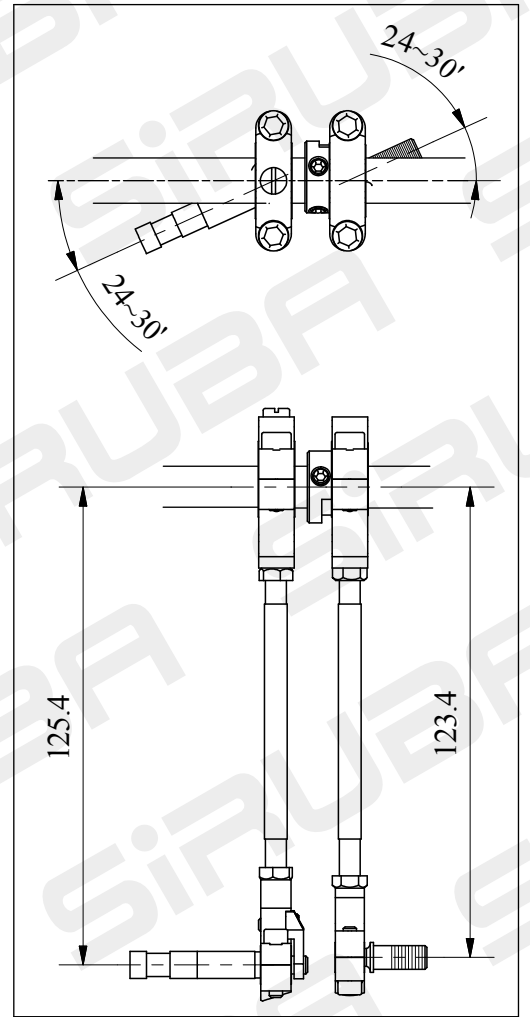
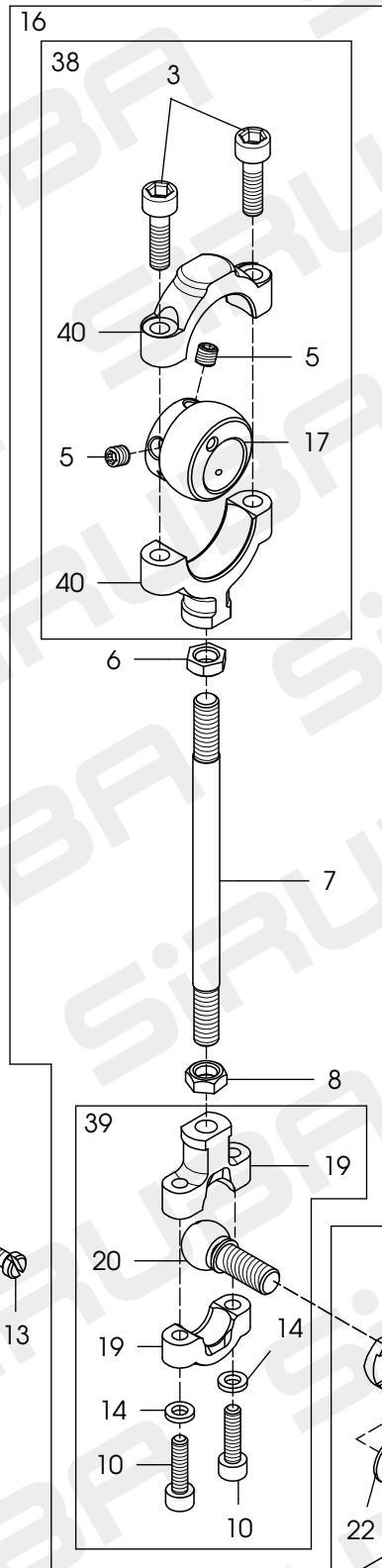
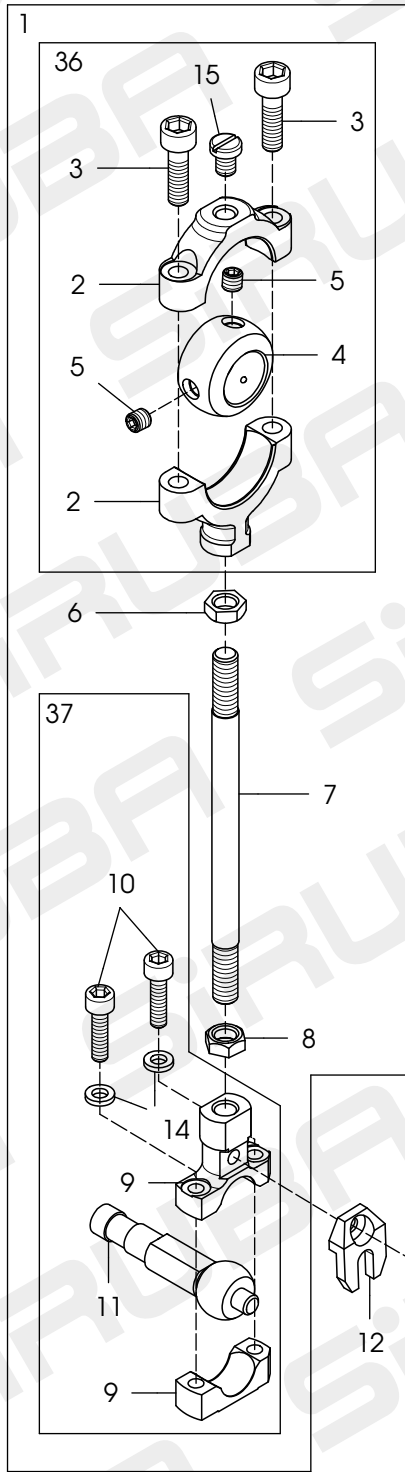
LOOPER DRIVING MECHANISM

下勾針驅動機構

8

Ref.	Parts			Amt.
<u>No.</u>	<u>No.</u>	<u>Description</u>	<u>品 名</u>	<u>Req.</u>
39	07400839	Looper Holder.....	下勾針固定座.....	1
40	07400840	Screw (11/64-40X8.3).....	螺絲.....	1
41	07400841	Packing.....	襯墊.....	1
42	07400842	Adjusting Screw(9/64-40X8.2).....	調節螺絲.....	1
43	★ 07400843	Looper.....	下飾線勾針.....	1
44	07400844	Screw (9/64-40X4.9).....	螺絲.....	1
45	★ 07400845	Needle Guard(Front).....	針檔(前).....	1
46	07400846	Screw (29/256-48X3).....	螺絲.....	2
47	07400847	Screw (3/32-56X3.6).....	螺絲.....	1
48	07400848	Looper Driving Connection(Upper) C. Set.....	下勾針驅動連結組(上).....	1
49	07400849	Looper Driving Connection(Lower) C. Set.....	下勾針驅動連結組(下).....	1
50	07400850	Spacer.....	墊片.....	1
51	07400851	Washer.....	墊片.....	6
52	07400852	Looper C.Set.....	下飾線勾針組.....	1
53	07400853	Looper Holder C.Set.....	下勾針固定座組.....	1
54	07400854	Collar C.Set.....	下勾針搖桿軸環組.....	1
55	07400855	Looper C.Set.....	下飾線勾針組.....	1
56	07400856	Looper Holder C.Set.....	下勾針固定座組.....	1

★ 請參照附件 1【針距規格表】



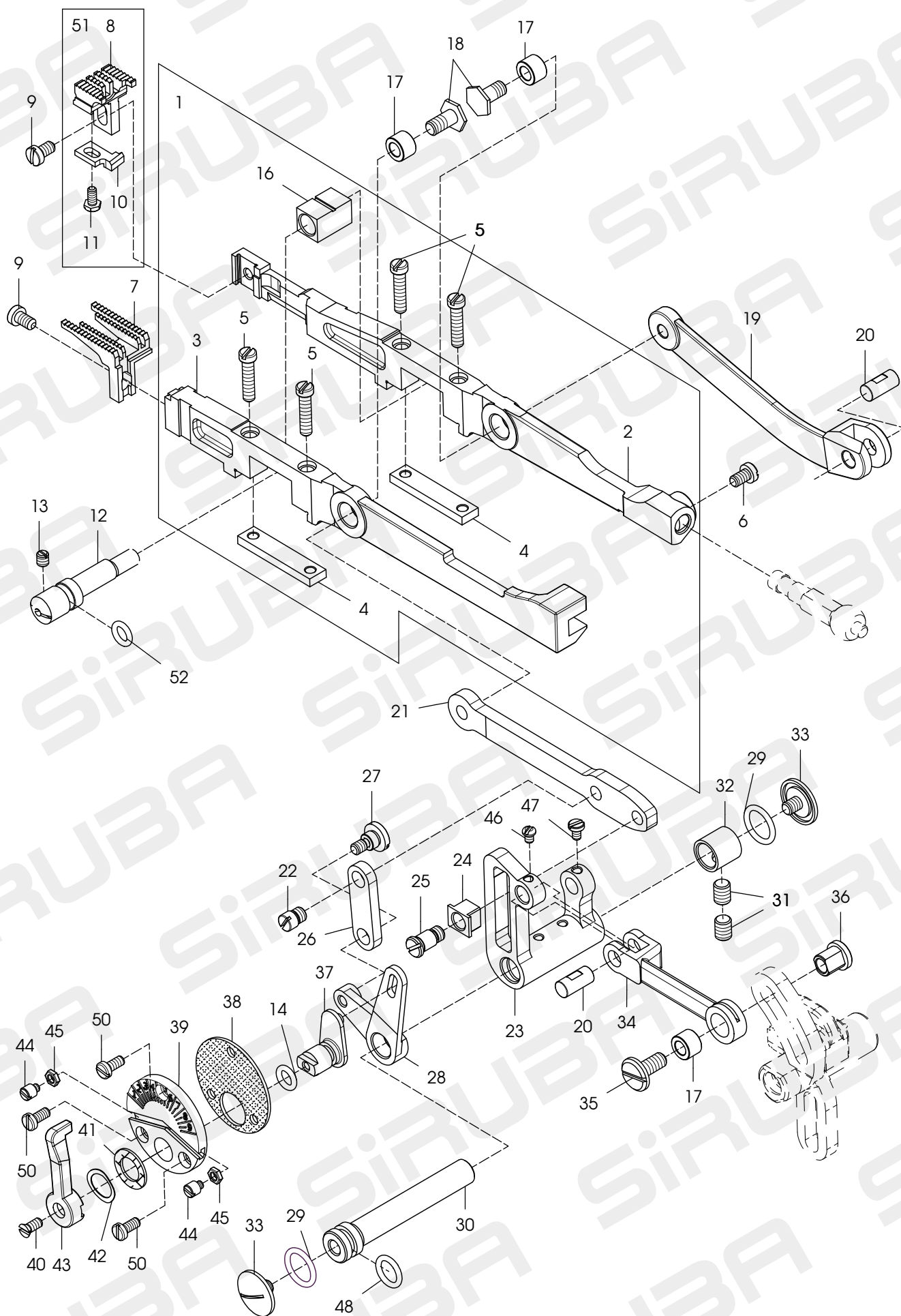
FEED DRIVING CONTROL MECHANISM

送料具驅動機構

9

Ref.	Parts			Amt.
No.	No.	Description	品 名	Req.
1	07400901	Feed Lift Eccentric C. Set.....	送料具提升偏心輪組.....	1
2	07400902	Feed Lift Connection (Upper).....	送料具提升連桿(上).....	1
3	07400903	Screw (11/64-40X16).....	螺絲.....	4
4	07400904	Feed Lift Eccentric Ball.....	送料具提升偏心輪球.....	1
5	07400225	Screw (11/64-40X4).....	螺絲.....	4
6	07400729	Nut (Left-handed Screw).....	螺帽.....	2
7	07400907	Feed Drive Eccentric Connecting Rod.....	送料具驅動連結桿.....	2
8	07400731	Nut.....	螺帽.....	2
9	07400909	Feed Lift Connection (Lower).....	送料具提升連桿.....	1
10	07400728	Screw (M3.5-0.6X14).....	螺絲.....	4
11	07400911	Feed Lift Connection Ball.....	送料具提升連桿球.....	1
12	07400829	Steady Fork.....	穩定叉.....	1
13	07400830	Screw (M3.5-0.6X8).....	螺絲.....	1
14	07400851	Washer.....	墊片.....	4
15	07400915	Screw (M5-0.8X6).....	螺絲.....	1
16	07400916	Feed Drive Eccentric C. Set.....	送料具驅動偏心連組.....	1
17	07400917	Feed Drive Eccentric Ball.....	送料具驅動偏心輪球.....	1
19	07400919	Feed Drive Connection(Lower).....	送料具驅動連桿(下).....	1
20	07400920	Feed Drive Connection Ball.....	送料具驅動連桿球.....	1
21	07400921	Steady Washer.....	穩定墊片.....	1
22	07400128	Washer.....	墊片.....	1
23	07400828	Nut.....	螺帽.....	1
24	07400924	O-ring.....	O 型橡膠環.....	1
25	07400925	Feed Drive Shaft.....	送料具驅動軸.....	1
26	07400926	Feed Drive/Looper Avoid Lever.....	勾齒台座.....	1
27	07400927	Feed Drive Shaft Bushing.....	送料具驅動軸套筒.....	1
28	07400928	Screw (3/16-32X9.1).....	螺絲.....	1
29	07400929	Screw (3/16-32X6).....	螺絲.....	1
30	07400930	Looper Avoid Connecting Rod C. Set.....	下勾針連桿組.....	1
31	07400931	Screw (7/32-32X10).....	螺絲.....	2
32	07400932	Looper Avoid Connecting Rod Bushing.....	下勾針連桿襯套.....	2
33	07400933	Needle Bearing.....	軸承.....	2
34	07400934	Looper Avoid Connecting Rod.....	下勾針前後連桿.....	1
35	07400935	Looper Avoid Adjusting Nut.....	調整螺母.....	1
36	07400936	Feed Lift Connection(Upper) C. Set.....	送料具提升連桿(上)組....	1
37	07400937	Feed Lift Connection(Lower) C. Set.....	送料具提升連桿(下)組....	1
38	07400938	Feed Drive Eccentric(Upper) C. Set.....	送料具提升偏心輪(上)組....	1
39	07400939	Feed Drive Eccentric(Lower) C. Set.....	送料具提升偏心輪(下)組....	1
40	07400940	Feed Drive Eccentric(Upper).....	送料具提升偏心輪(上)....	1





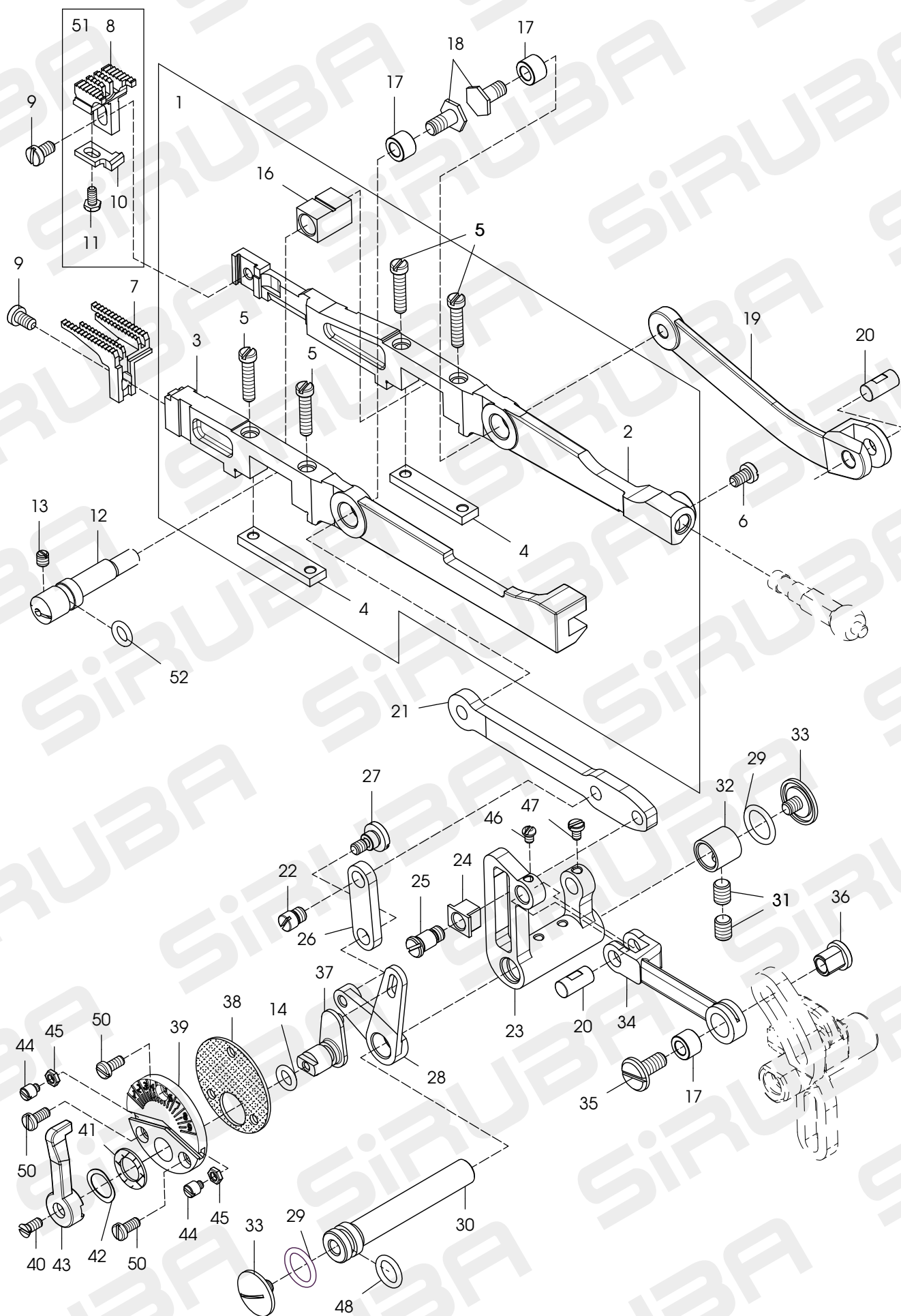
FEED DRIVING MECHANISM

送料具調節機構

10

Ref.	Parts			Amt.
No.	No.	Description	品名	Req.
1	07401001	Feed Bar C. Set.....	送料具固定座組.....	1
2	07401002	Main Feed Bar.....	主送料具固定座.....	1
3	07401003	Differential Feed Bar.....	差動送料具固定座.....	1
4	07401004	Feed Bar Plate.....	送料具固定座片.....	2
5	07401005	Screw (11/64-40X18.7).....	螺絲.....	4
6	07401006	Screw (11/64-40X7).....	螺絲.....	1
7	★ 07401007	Differential Feed Dog.....	前送齒.....	1
8	★ 07401008	Main Feed Dog.....	單切後送齒.....	1
9	07400302	Screw (11/64-40X7.8).....	螺絲.....	2
10	★ 07401010	Needle Guard(Rear).....	針檔(後).....	1
11	07401011	Screw (1/8-44X4.8).....	螺絲.....	1
12	07401012	Feed Bar Eccentric Pin.....	送料具偏心銷.....	1
13	07400508	Screw (11/64-40X6).....	螺絲.....	1
14	07401014	O-ring.....	O 型橡膠環.....	1
16	07401016	Feed Bar Slide Block.....	送料具滑塊.....	1
17	07401017	Feed Rocker Link Bushing.....	送料具搖桿套筒.....	3
18	07401018	Screw (7/32-32X6.5).....	螺絲.....	2
19	07401019	Main Feed Bar Driving Link.....	主送料具固定座驅動桿... 1	
20	07401020	Feed Rocker Link Pin.....	送料具搖桿插銷.....	2
21	07401021	Differential Feed Bar Driving Link.....	差動送料具固定座驅動桿... 1	
22	07401022	Screw (7/32-32X5).....	螺絲.....	1
23	07401023	Feed Rocker.....	送料具搖桿.....	1
24	07401024	Differential Feed Bar Driving Link Slider.....	差動送料具固定座驅動桿滑塊... 1	
25	07401025	Screw (7/32-32X4.6).....	螺絲.....	1
26	07401026	Differential Feed Adjusting Link.....	差動送料具調節桿.....	1
27	07401027	Screw (11/64-40X6.6).....	螺絲.....	1
28	07401028	Differential Feed Adjusting Lever.....	差動送料具調節槓桿.....	1
29	07400924	O-ring.....	O 型橡膠環.....	2
30	07401030	Feed Rocker Shaft.....	送料具搖桿軸.....	1
31	07400836	Screw (3/16-32X8).....	螺絲.....	2
32	07401032	Feed Rocker Shaft Bushing.....	送料具搖桿軸套筒.....	1
33	07400929	Screw (3/16-32X6).....	螺絲.....	2
34	07401034	Feed Rocker Link.....	送料具搖桿連桿.....	1
35	07401035	Screw (7/32-32X10.5).....	螺絲.....	1
36	07401036	Feed Adjusting Nut.....	送料具調節螺絲.....	1
37	07401037	Differential Feed Adjusting Lever (Middle).....	差動送料具調節槓桿(中)... 1	
38	07401038	Differential Feed Adjusting Dial Gasket.....	差動送料具調節標度盤墊片... 1	

★ 請參照附件 1【針距規格表】

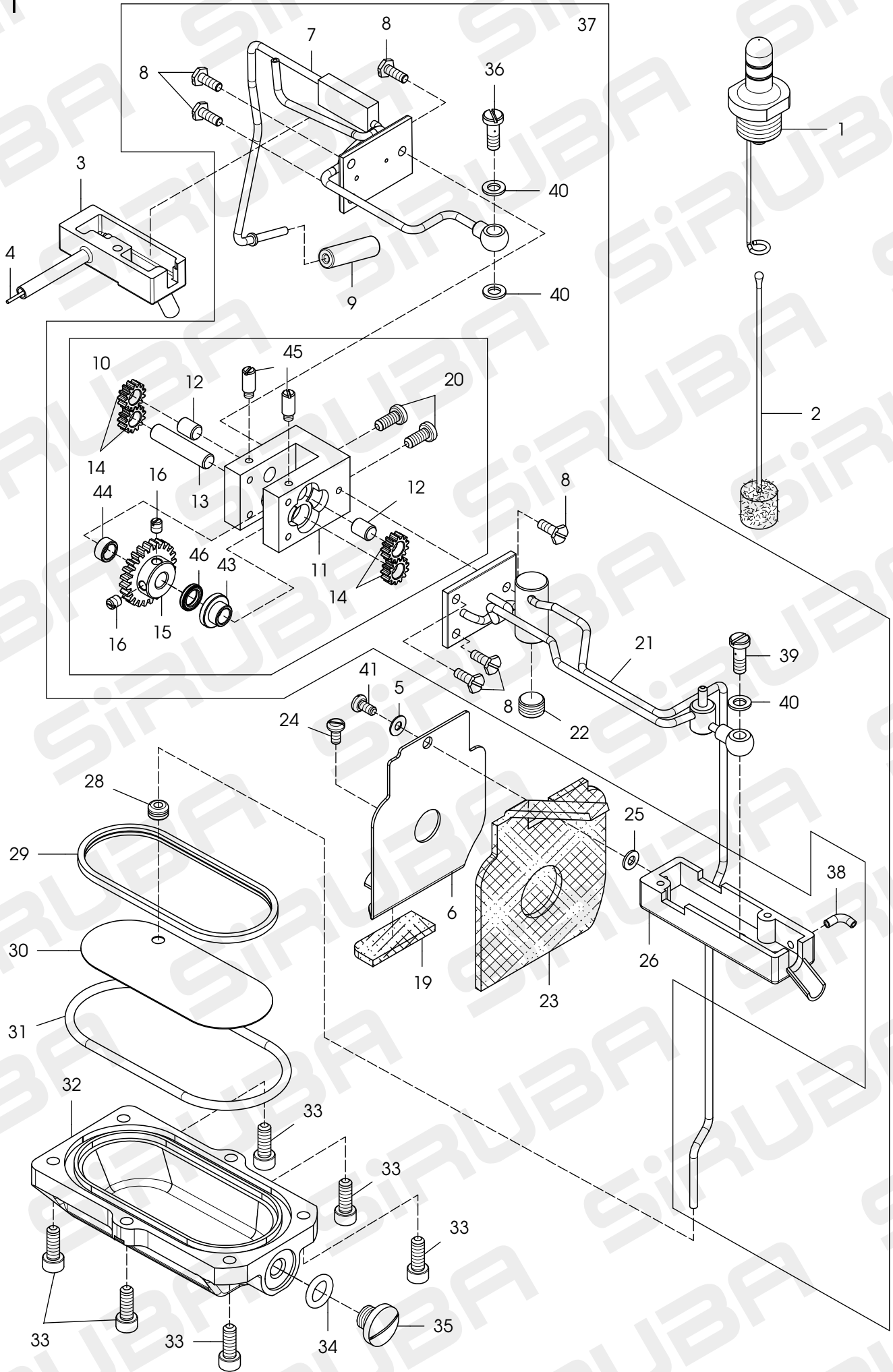


FEED DRIVING MECHANISM

## 送料具調節機構

10

Ref.	Parts			Amt.
<u>No.</u>	<u>No.</u>	<u>Description</u>	<u>品 名</u>	<u>Req.</u>
39	07401039	Differential Feed Adjusting Dial.....	差動送料具調節標度盤.....	1
40	07400132	Screw (9/64-40X8).....	螺絲.....	1
41	07401041	Spacer (Fiber).....	墊片(纖維).....	1
42	07401042	Corrugated Washer.....	波狀墊片.....	1
43	07401043	Differential Feed Operating Lever.....	差動送料具操作桿.....	1
44	07401044	Screw (M3-0.5X2.6).....	螺絲.....	2
45	07401045	Nut.....	螺帽.....	2
46	07401046	Screw (1/8-44X5 ).....	螺絲.....	1
47	07401047	Screw (1/8-44X4.7).....	螺絲.....	1
48	07401048	O-ring.....	O 型橡膠環.....	1
50	07400208	Screw (9/64-40X8).....	螺絲.....	3
51	07401051	Main Feed Dog C.Set.....	單切後送齒組.....	1
52	07401052	O-ring.....	O 型橡膠環.....	1

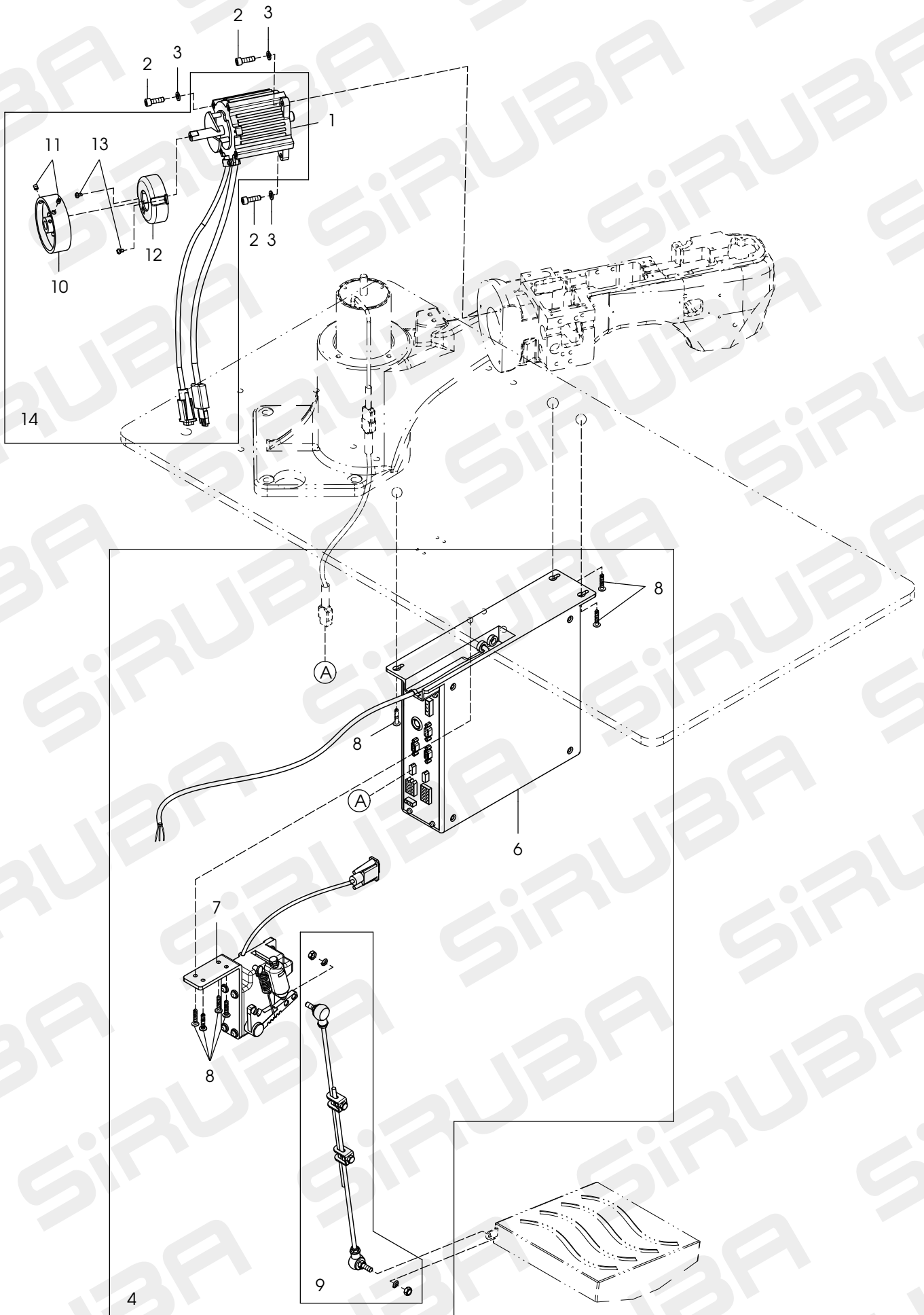


## LUBRICATING MECHANISM

給油機構

11

Ref.	Parts			Amt.
No.	No.	Description	品名	Req.
1	07401101	Crank Chamber Oil Gauge Unit.....	油鏡(後).....	1
2	07401102	Oil Height Indicator.....	油量指示棒.....	1
3	07401103	Oil Receiver (Rear).....	油量接收器(後).....	1
4	07401104	Oil Wick.....	油芯.....	1
5	07400139	Washer.....	墊片.....	1
6	07401106	Take-up Oil Defense Plate.....	打線防油板.....	1
7	07401107	Pump Housing Cover (Rear) Unit.....	迴油管路(後).....	1
8	07401108	Screw (9/64-40X10.3).....	螺絲.....	6
9	07401109	Filter Condenser.....	過濾器.....	1
10	07401110	Pump C. Set.....	油泵組.....	1
11	07401111	Pump Housing.....	油泵殼.....	1
12	07401112	Pump Gear Shaft (Short).....	油泵齒輪(短).....	2
13	07401113	Pump Gear Shaft (Long).....	油泵齒輪(長).....	1
14	07401114	Oil Pump Gear.....	油泵齒輪.....	4
15	07401115	Pump Driven Gear.....	油泵從動齒輪.....	1
16	07401116	Screw (11/64-40X5).....	螺絲.....	2
19	07401119	Thread Take-up Oil Defense Unit.....	打線防油墊片(小).....	1
20	07401120	Screw (11/64-40X10.5).....	螺絲.....	2
21	07401121	Pump Housing Cover (Front) Unit.....	回油管路(前).....	1
22	07401122	Screw (M10-1.5X6.1).....	螺絲.....	1
23	07401123	Thread Take-up Oil Defense Unit.....	打線防油墊片(大).....	1
24	07400111	Screw (9/64-40X5.6).....	螺絲.....	1
25	07401125	Washer.....	墊片.....	1
26	07401126	Oil Receiver (Front).....	油量接收器(前).....	1
28	07401128	Rubber Bushing.....	橡膠套筒.....	1
29	07401129	Oil Filter Screen Rubber Seal.....	吸油氈篩橡膠油封.....	1
30	07401130	Oil Filter Screen.....	吸油氈篩.....	1
31	07401131	Oil Reservoir Rubber Seal.....	油槽橡膠油封.....	1
32	07401132	Oil Reservoir.....	油槽.....	1
33	07401133	Screw (M5-0.8X14).....	螺絲.....	6
34	07400124	O-ring.....	O型橡膠環.....	1
35	07400125	Drain Hole Screw (3/8-24X8).....	螺絲.....	1
36	07401136	Screw (3/16-32X8).....	螺絲(孔小).....	1
37	07401137	Pump C. Set.....	油泵組.....	1
38	07401138	Oil Tube.....	供油銅管.....	1
39	07401139	Screw (3/16-32X8).....	螺絲(孔大).....	1
40	07401140	Washer.....	墊片.....	3
41	07400150	Screw (9/64-40X7).....	螺絲.....	1
43	07401143	Bushing(Front).....	套管.....	1
44	07401144	Bushing(Rear).....	套管.....	1
45	07401145	Screw (9/64-40X2).....	螺絲.....	2
46	07400425	Oil Seal.....	油封.....	1



DEIRECTLY DRIVING TYPE MINI-SERVO MOTOR C.SET

伺服馬達機構

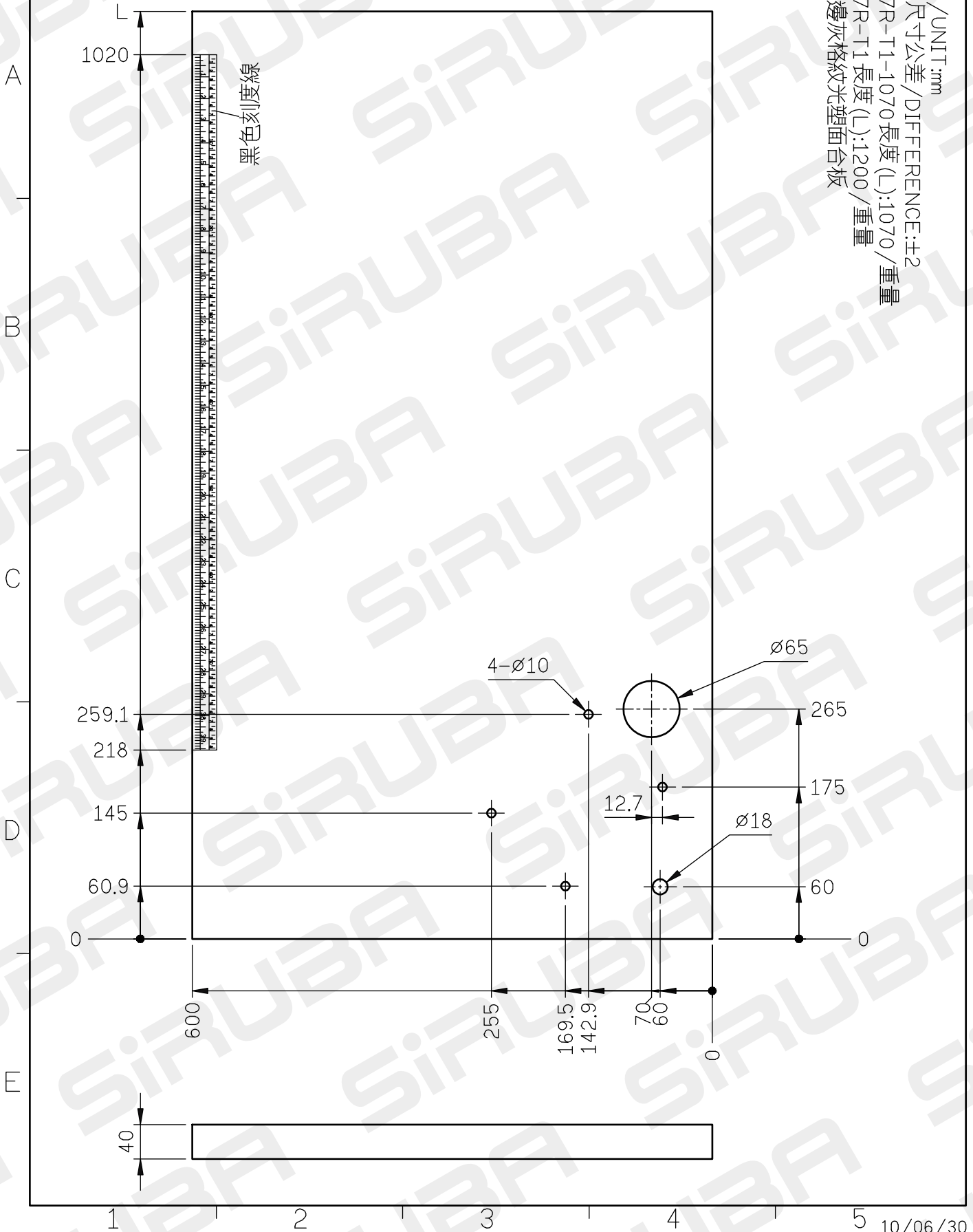
12

Ref.	Parts			Amt.
<u>No.</u>	<u>No.</u>	<u>Description</u>	<u>品 名</u>	<u>Req.</u>
1	07401201	Directly Driving Type Mini-Servo Motor...	直驅式微型伺服馬達.....	1
2	07401202	Screw (M6-1X20).....	螺絲.....	3
3	07401203	Washer.....	墊片.....	3
4	07401204	Control Box Set.....	控制箱組.....	1
6	07401206	Control Box.....	控制箱.....	1
7	07401207	Starter.....	起動器.....	1
8	07401208	Wood Screw.....	木螺絲.....	7
9	07401209	Pitman.....	腳踏板連接桿.....	1
10	07401210	Handwheel.....	手推輪.....	1
11	07401211	Screw(M5-0.8X6).....	螺絲.....	2
12	07401212	Motor Cover.....	馬達護蓋.....	1
13	07401213	Screw(M4-0.7X4).....	螺絲.....	2
14	07401214	Mini-Servo Motor C.Set.....	微型馬達組.....	1



# TABLE CUT-OUT OF D007R-T1

單位/UNIT:mm  
 所有尺寸公差/DIFFERENCE:±2  
 D007R-T1-1070長度(L):1070/重量  
 D007R-T1長度(L):1200/重量  
 全封邊灰格紋光塑面台板



TABLE

桌板圖

13

Ref. Parts

Amt.

No.

No.

Description

品名

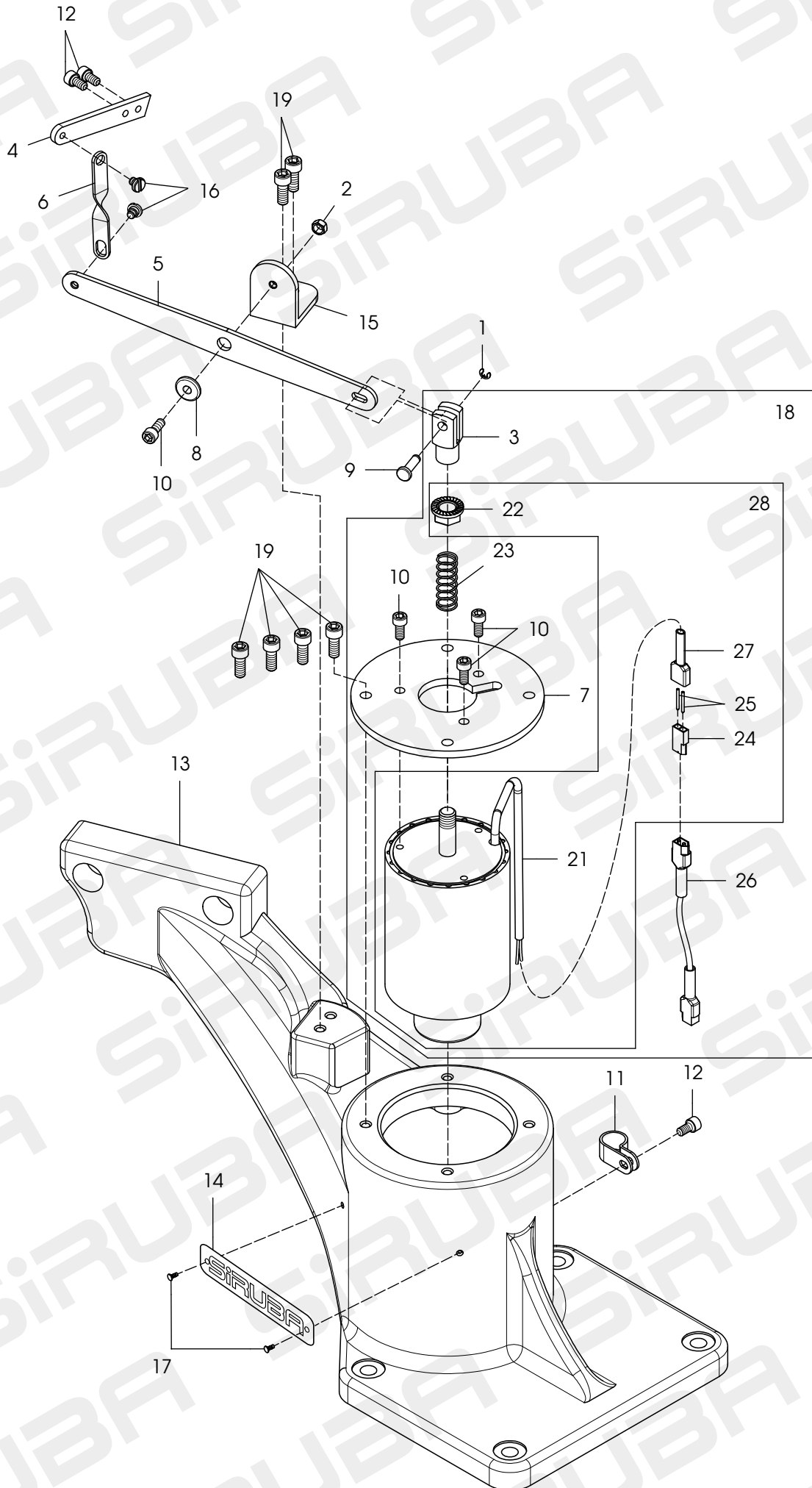
Req.

1

07401301

D007R Table.....D007R 桌板圖..... 1

14

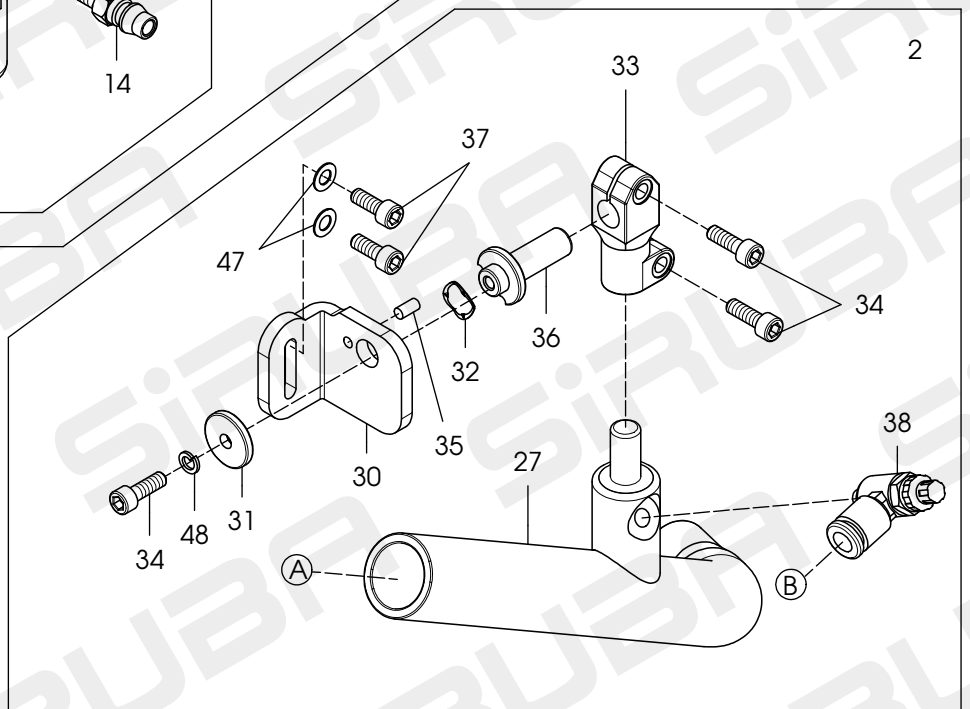
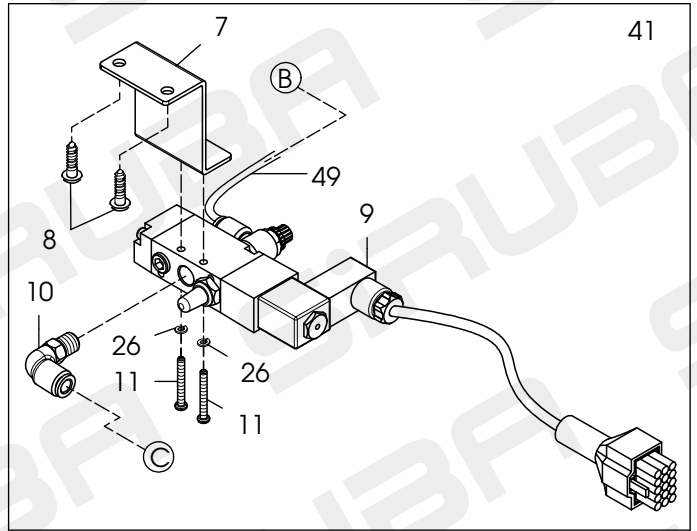
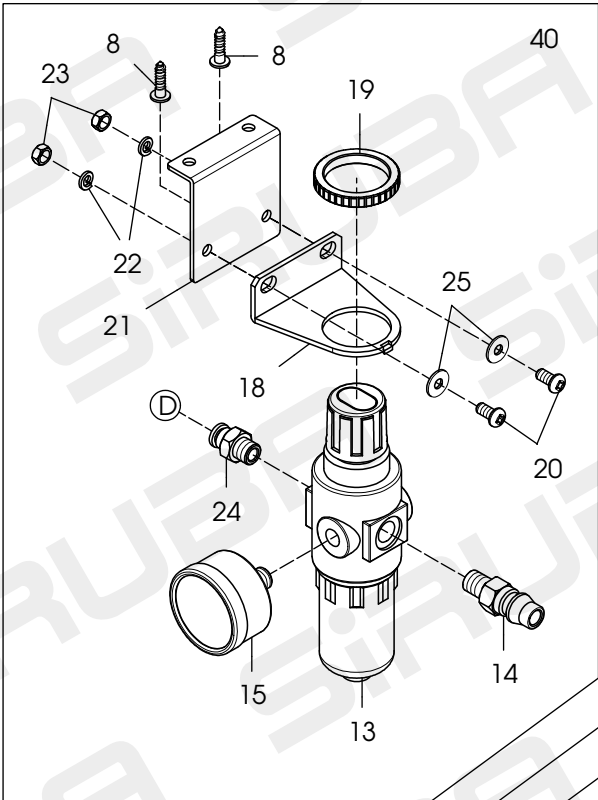
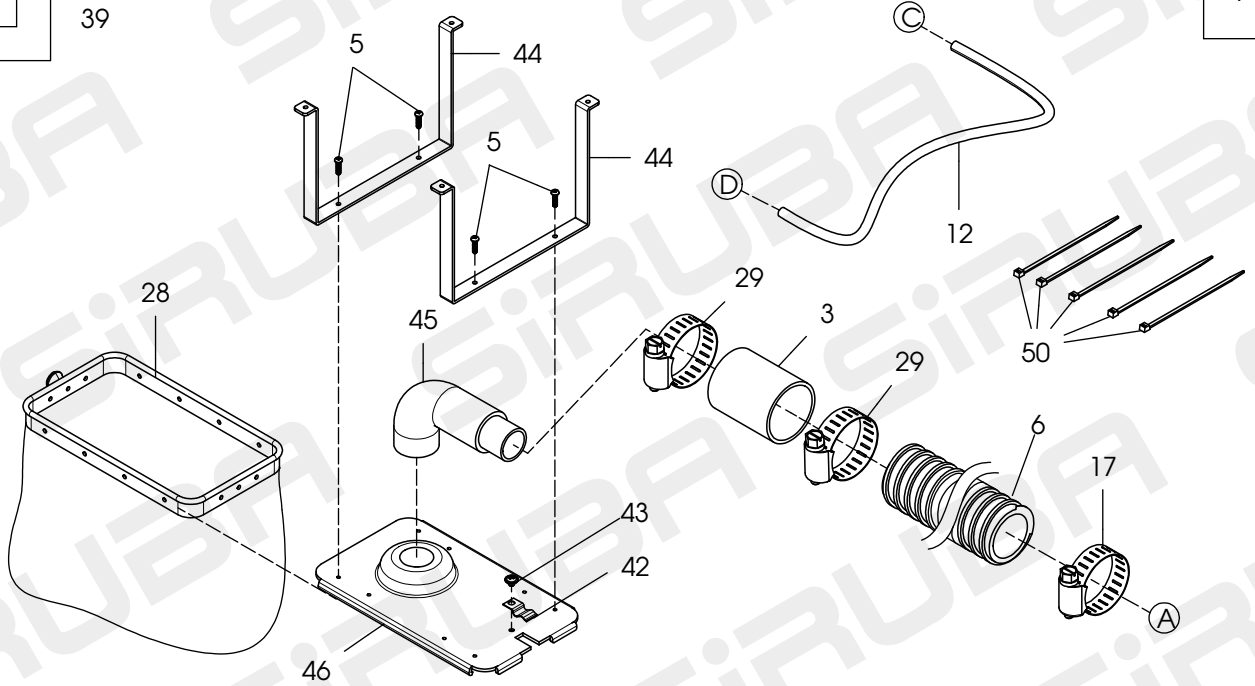


SUPPORTING BLOCK MECHANISM

車台固定座機構

14

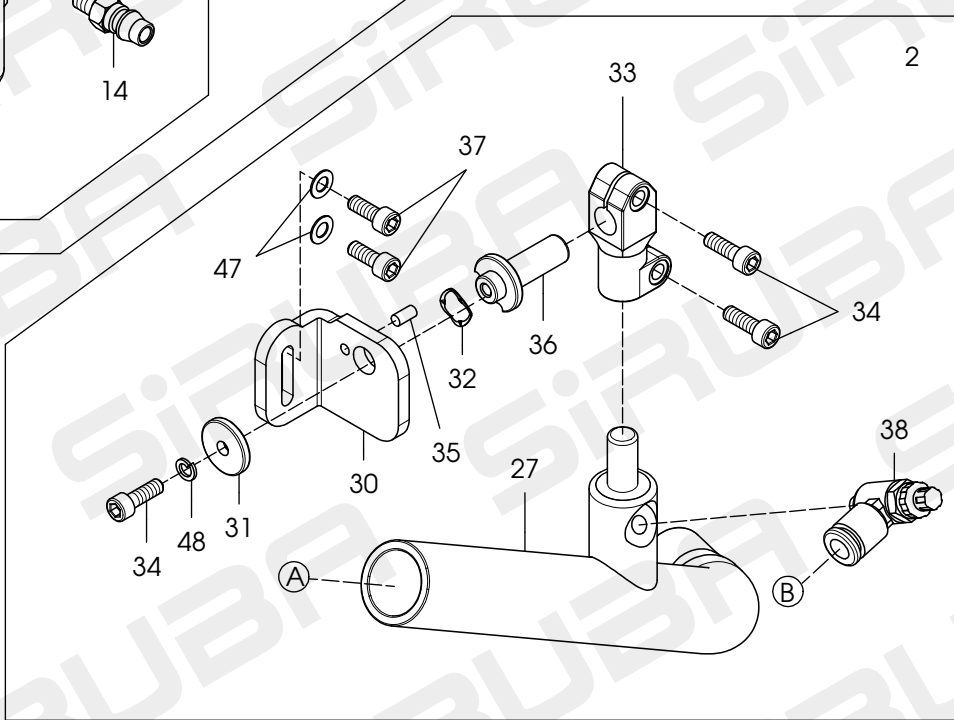
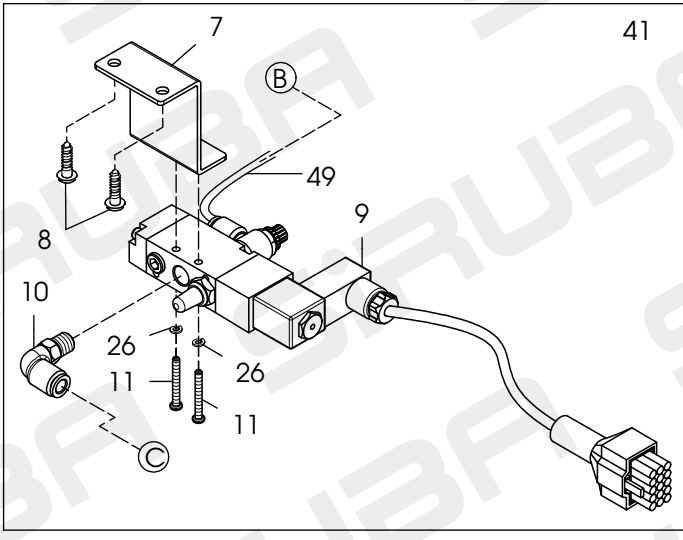
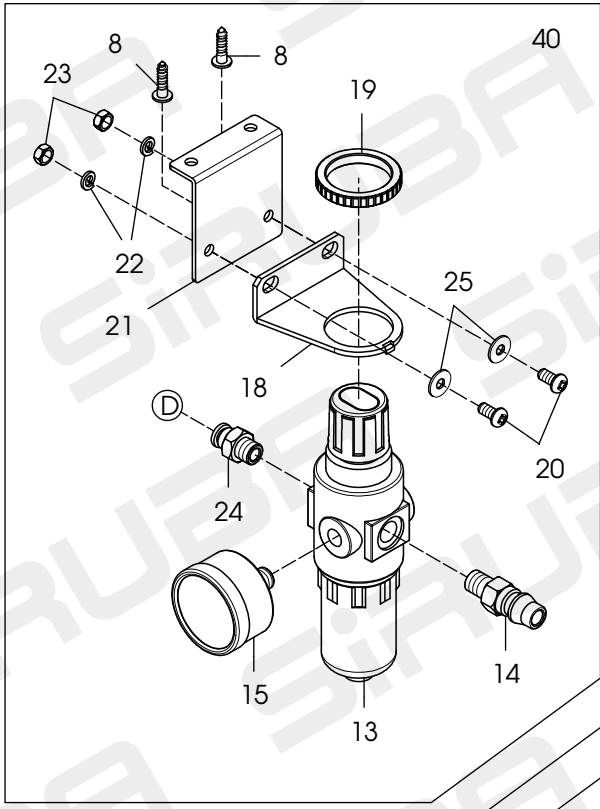
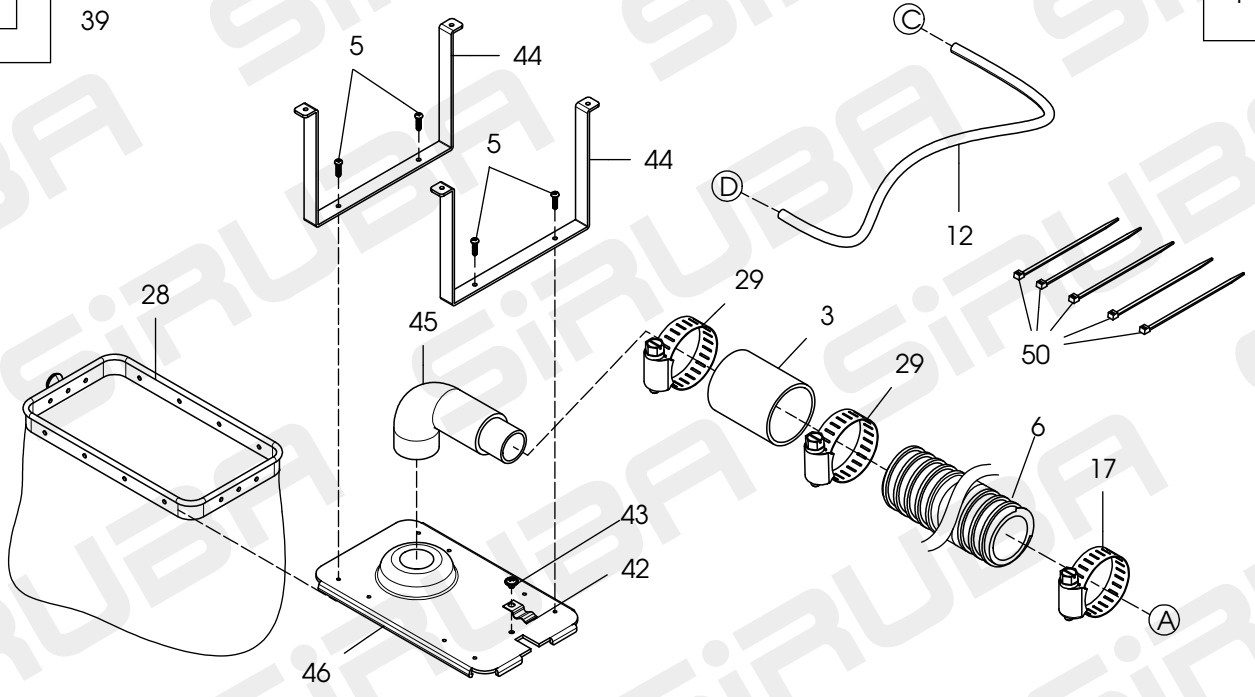
Ref.	Parts			Amt.
<u>No.</u>	<u>No.</u>	<u>Description</u>	<u>品 名</u>	<u>Req.</u>
1	07401401	Retaining Ring.....	扣環.....	1
2	07401402	Nut.....	螺帽.....	1
3	07401403	Presser Foot Lifter Connector.....	抬押腳接頭.....	1
4	07401404	Presser Foot Lifter Connecting Lever(S)....	抬押腳連接片(小).....	1
5	07401405	Presser Foot Lifter Connecting Lever(L)....	抬押腳連接片(大).....	1
6	07401406	Presser Foot Lifter Switch Lever.....	抬押腳轉接片.....	1
7	07401407	Fix Solenoid Plate.....	電磁鐵固定套.....	1
8	07401408	Center Sleeve.....	中心襯套.....	1
9	07401409	Fix Pin.....	轉接頭插銷.....	1
10	07401410	Screw(M5-0.8X14).....	螺絲.....	4
11	07401411	Pin.....	固線鈕.....	1
12	07401412	Screw(M5-0.8X10).....	螺絲.....	3
13	07401413	Supporting Block.....	車台固定座.....	1
14	07400151	Emblem.....	銘牌.....	1
15	07401415	Center Bracket.....	中心座.....	1
16	07401416	Screw(3/16-32X3.5).....	螺絲.....	2
17	07400164	Rivet.....	鉚釘.....	2
18	07401418	Solenoid C.Set.....	電磁鐵組.....	1
19	07401419	Screw(M6-1X16).....	螺絲.....	6
21	07401421	Solenoid.....	電磁鐵.....	1
22	07401422	Nut.....	電磁鐵螺母.....	1
23	07401423	Spring.....	定位緩衝壓簧.....	1
24	07401424	Joint.....	端子座.....	1
25	07401425	Terminal.....	端子.....	1
26	07401426	Relay Line.....	抬押腳中繼線.....	1
27	07401427	Rubber Cover.....	膠套.....	1
28	07401428	Solenoid C.Set.....	電磁鐵組.....	1



" AW1" DEVICE C.SET (SELECT DEVICE)

外接式吸布屑組-AW1 (選擇配備) 15

Ref.	Parts			Amt.
No.	No.	Description	品 名	Req.
1	07401501	AW Clear System.....	吸風組.....	1
2	07401502A	AW Tube System.....	吸風管組.....	1
3	07401503A	Connect Tube.....	接管.....	1
5	07401505	Wood Screw.....	木螺絲.....	4
6	07401506A	Tube.....	風管(大).....	1
7	07401507	Bracket.....	托架.....	1
8	07401508	Wood Screw.....	木螺絲.....	4
9	07401509	Solenoid Valve.....	電磁閥.....	1
10	07401510	Coupler.....	轉接頭.....	1
11	07401511	Screw (M3-0.5X24).....	螺絲.....	2
12	07401512	Tube.....	風管.....	1
13	07401513	Pneumatic Regulator.....	氣壓調節器.....	1
14	07401514	Coupler.....	轉接頭.....	1
15	07401515	Gauge.....	氣磅表.....	1
17	07401517	Fixed Ring.....	套環.....	1
18	07401518	Bracket.....	托架.....	1
19	07401519	Screw Ring.....	螺環.....	1
20	07401520	Screw (M5-0.8X9).....	螺絲.....	2
21	07401521	Bracket.....	托架.....	1
22	07401522	Spring Washer.....	彈簧墊片.....	2
23	07401523	Nut.....	螺帽.....	2
24	07401524	Coupler.....	轉接頭.....	1
25	07401525	Washer.....	墊片.....	2
26	07401526	Spring Washer.....	彈簧墊片.....	2
27	07401527A	Clear Pipe.....	吸屑管.....	1
28	07401528	Bag.....	布袋.....	1
29	07401529	Fixed Ring.....	套環.....	2
30	07401530	Bracket.....	托架.....	1
31	07401531	Washer.....	墊片.....	1
32	07401532	Wave Washer.....	波狀墊片.....	1
33	07401533	Connecting Rod.....	連桿.....	1
34	07401534	Screw (M5-0.8X16).....	螺絲.....	3
35	07401535	Pin.....	插銷.....	1
36	07401536	Connecting Rod Pin.....	連桿插銷.....	1
37	07401537	Screw (M5-0.8X14).....	螺絲.....	2
38	07401538A	Speed Connector.....	調速接頭.....	1
39	07401539A	Dust-Collecting Equipment.....	集塵組.....	1
40	07401540	Pneumatic Regulator C.Set.....	氣壓調節器組.....	1

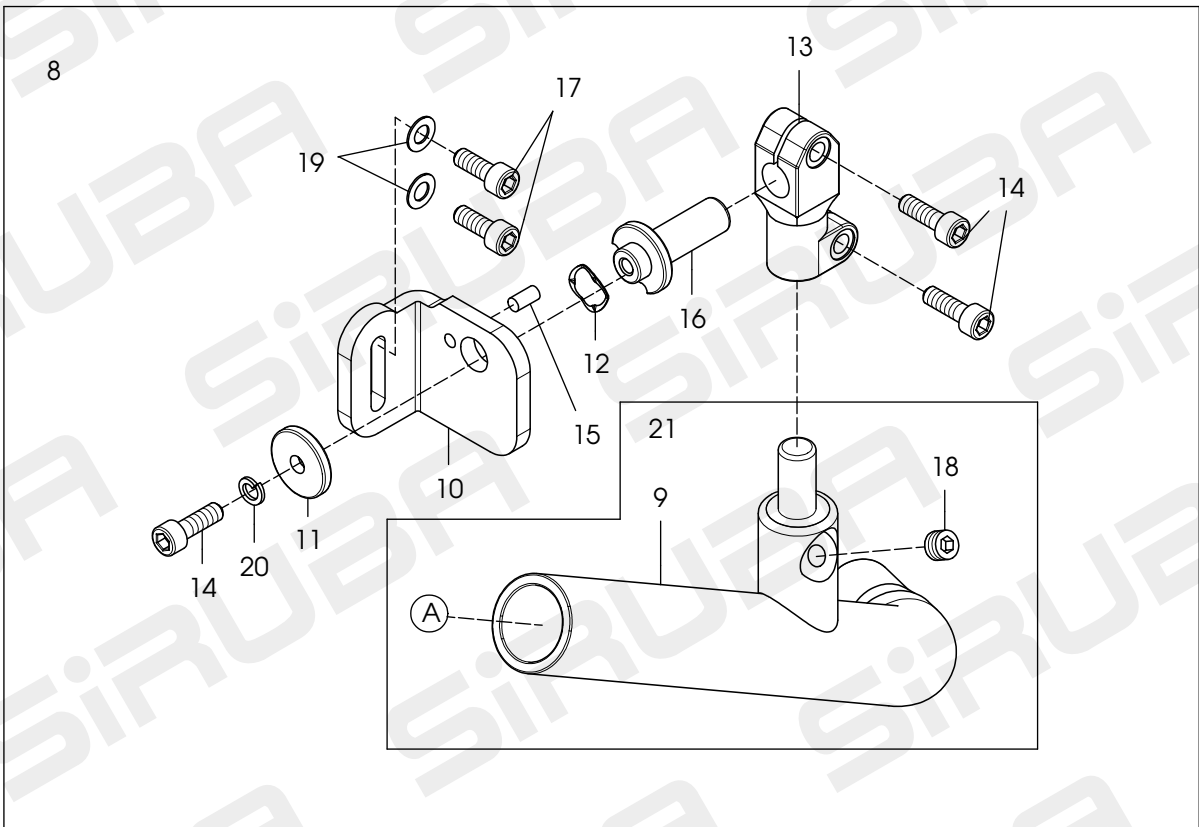
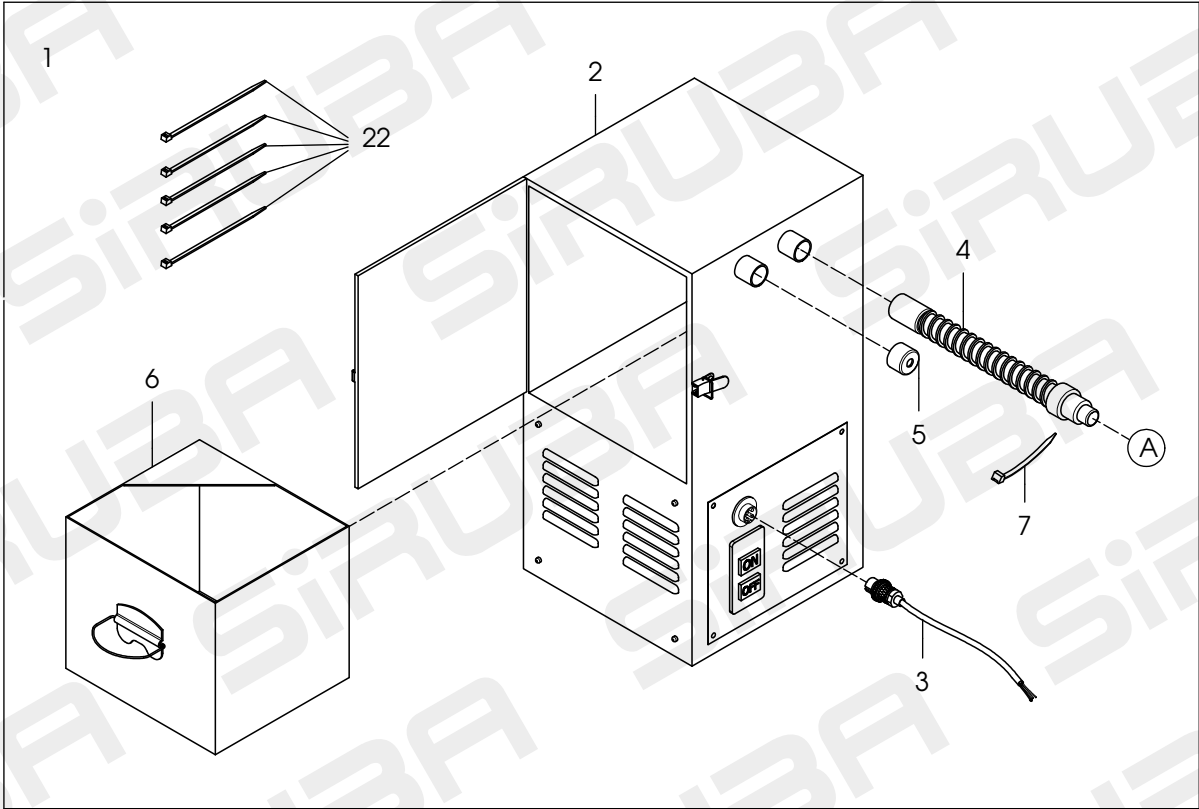


" AW1" DEVICE C.SET (SELECT DEVICE)

外接式吸布屑組-AW1 (選擇配備) 15

Ref.	Parts			Amt.
<u>No.</u>	<u>No.</u>	<u>Description</u>	<u>品 名</u>	<u>Req.</u>
41	07401541	Electromagnetic Valve C.Set.....	氣壓電磁閥組.....	1
42	07401542	Spring Washer.....	彈片.....	1
43	07401543	Screw (M4-0.7X3.5).....	螺絲.....	1
44	07401544	Holder.....	固定座.....	2
45	07401545	Clear Pipe.....	吸屑管.....	1
46	07401546	Cover.....	布屑蓋.....	1
47	07401547	Washer.....	墊片(有加強).....	2
48	07401548	Washer.....	彈簧防振墊片.....	1
49	07401549	Tube (Blue) .....	氣管(藍)(6mmX60in).....	1
50	07401550	Ties.....	束線帶(CV-250).....	5



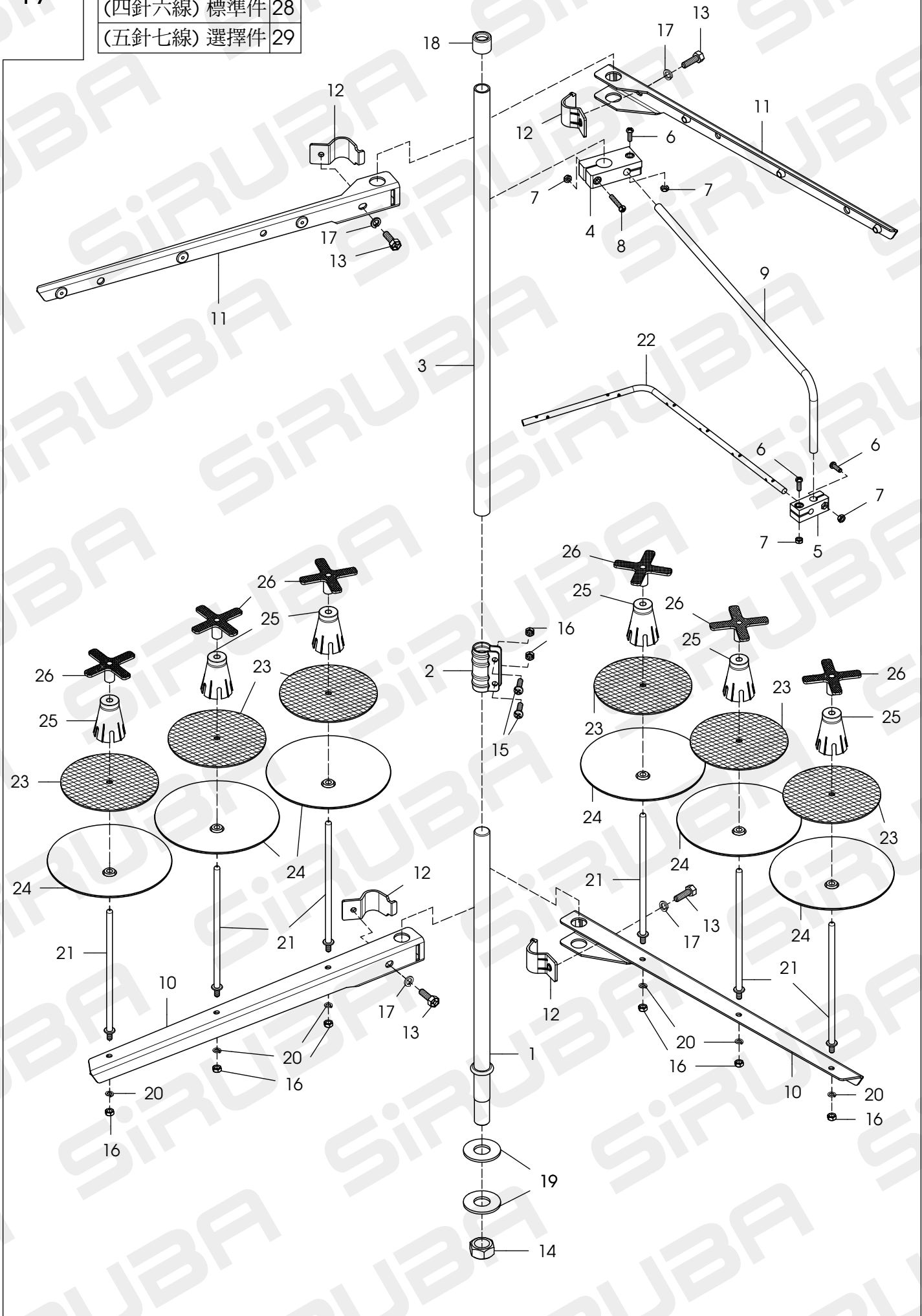


" AW2" DEVICE C.SET (SELECT DEVICE)

密封式(箱型)吸屑組-AW2 (選擇配備) 16

Ref.	Parts		Amt.
No.	No.	Description	品 名
			Req.
1	07401601	AW Case Set.....	吸風箱組..... 1
2	07401602	Air Case.....	吸風箱..... 1
3	07401603	Electric Wire.....	電源線..... 1
4	07401604	Clear Tube.....	吸屑管..... 1
5	07401605	Plug.....	塞子..... 1
6	07401606	Case.....	布屑集中盒..... 1
7	07401607	Stable Strap.....	束帶..... 1
8	07401502	AW Tube System.....	吸風管組..... 1
9	07401527A	Clear Pipe.....	吸屑管..... 1
10	07401530	Bracket.....	托架..... 1
11	07401531	Washer.....	墊片..... 1
12	07401532	Wave Washer.....	波狀墊片..... 1
13	07401533	Connecting Rod.....	連桿..... 1
14	07401534	Screw (M5-0.8X16).....	螺絲..... 3
15	07401535	Pin .....	插銷..... 1
16	07401536	Connecting Rod Pin.....	連桿插銷..... 1
17	07401537	Screw (M5-0.8X14).....	螺絲..... 2
18	07401618	Screw (1/8PTX7).....	螺絲..... 1
19	07401547	Washer.....	墊片..... 2
20	07401548	Washer.....	彈簧防振墊片..... 1
21	07401621A	Clear Pipe C.Set.....	吸屑管組..... 1
22	07401550	Ties.....	束線帶(CV-250)..... 5

(四針六線) 標準件	28
(五針七線) 選擇件	29



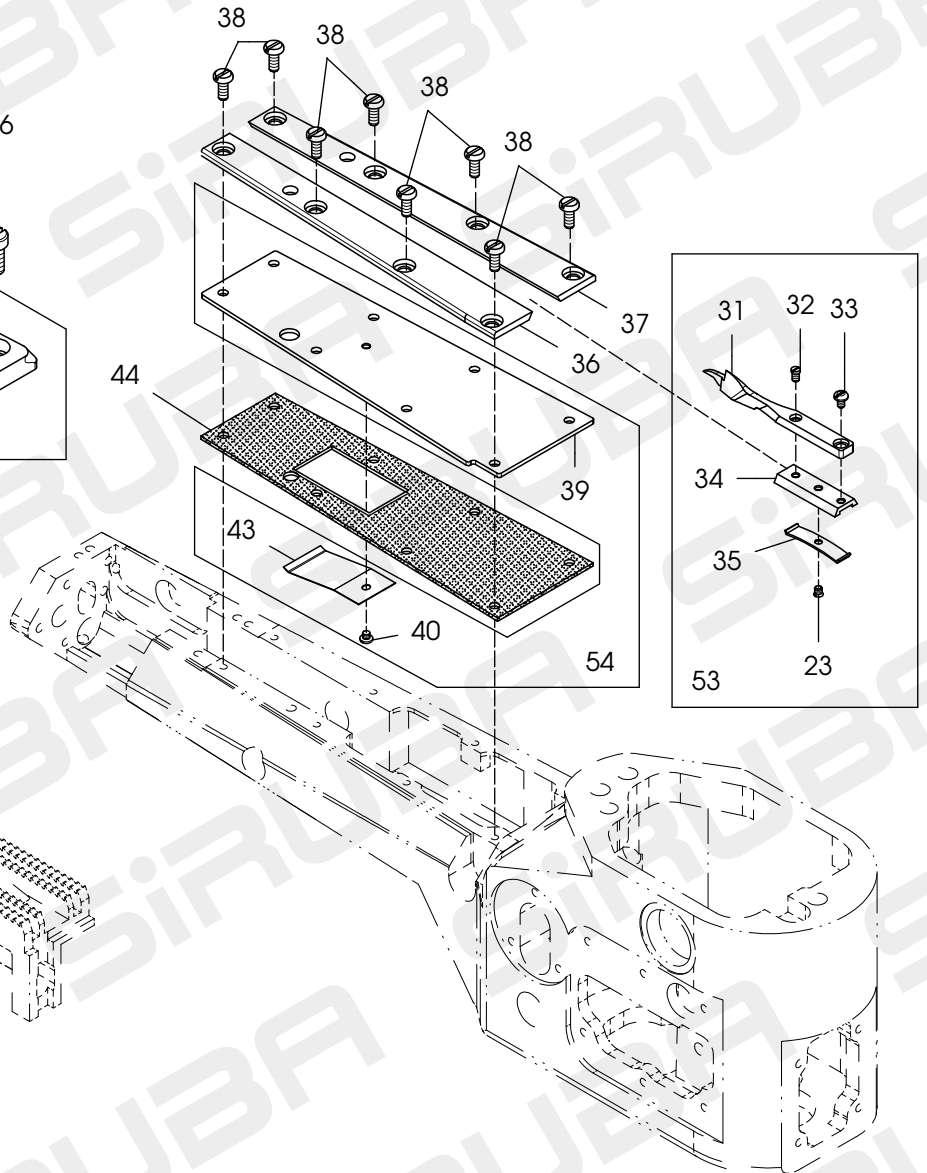
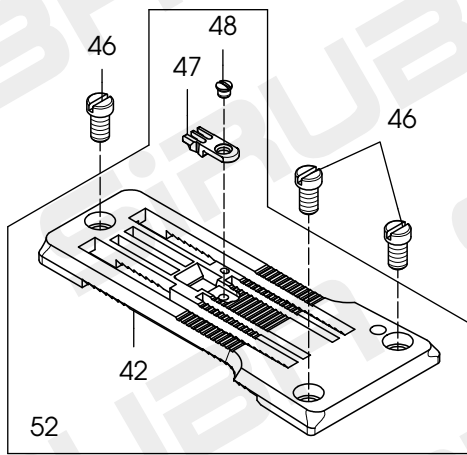
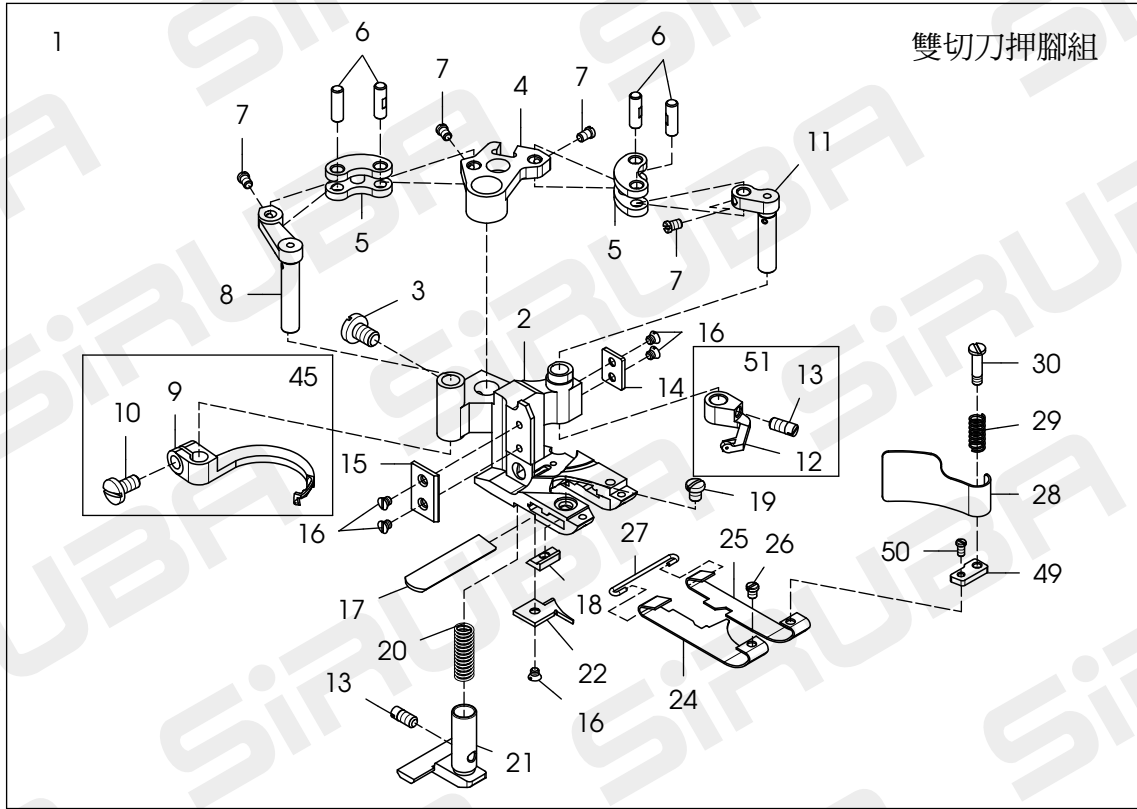
THREAD STAND

線架組

17

Ref.	Parts			Amt.
<u>No.</u>	<u>No.</u>	<u>Description</u>	<u>品 名</u>	<u>Req.</u>
1	07401701	Column Pipe (Lower).....	下線柱.....	1
2	07401702	Column Pipe Connector.....	線柱接頭.....	1
3	07401703	Column Pipe(Upper).....	上線柱.....	1
4	07401704	Thread Guide Holder (Large).....	大過線桿固定座.....	1
5	07401705	Thread Guide Holder (Small).....	小過線桿固定座.....	1
6	07401706	Screw (M4-0.7X11.9).....	螺絲.....	3
7	07401707	Nut.....	螺帽.....	4
8	07401708	Screw (M4-0.7X24.6).....	螺絲.....	1
9	07401709	Thread Guide Arm.....	過線桿連接臂.....	1
10	07401710	Spool Stand (3 Spool Type).....	3孔線軸架.....	2
11	07401711	Thread Hanger (3 Spools Type).....	3孔過線吊臂.....	2
12	07401712	Column Pipe Connector.....	線柱接頭.....	4
13	07401713	Screw (M6-1X16.8).....	螺絲.....	4
14	07401714	Nut.....	螺帽.....	1
15	07401715	Screw (M5-0.8X16.8).....	螺絲.....	2
16	07401716	Nut.....	螺帽.....	8
17	07401717	Spring Washer.....	彈簧墊片.....	4
18	07401718	Column Cap.....	柱頭蓋.....	1
19	07401719	Washer.....	墊片.....	2
20	07401720	Spring Washer.....	彈簧墊片.....	6
21	07401721	Spool Pin.....	線軸柱.....	6
22	07401722	Thread Guide (6 Spool Type).....	6孔過線桿.....	1
23	07401723	Spool Mat.....	線軸墊.....	6
24	07401724	Spool Seat Disc.....	線軸底盤.....	6
25	07401725	Spool Cushion.....	線軸避震座.....	6
26	07401726	Rubber Spool Cushion.....	橡膠線軸避震座.....	6
28	07401728	Thread Stand.....	線架(四針六線).....	1
29	07401729	Thread Stand.....	線架(五針七線).....	1

雙切刀押腳組



DOUBLE SIDE CUT PRESSER FOOT MECHANISM

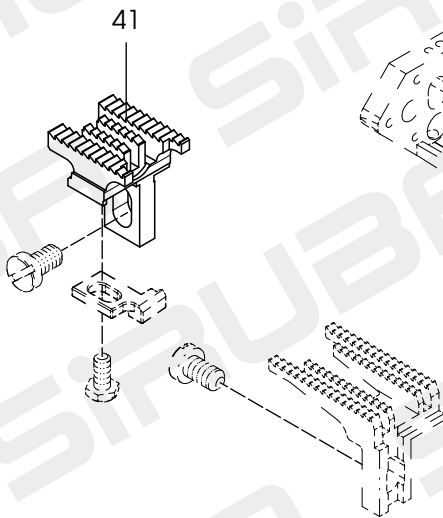
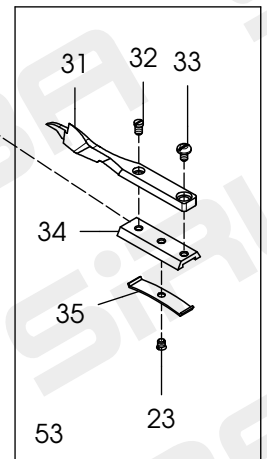
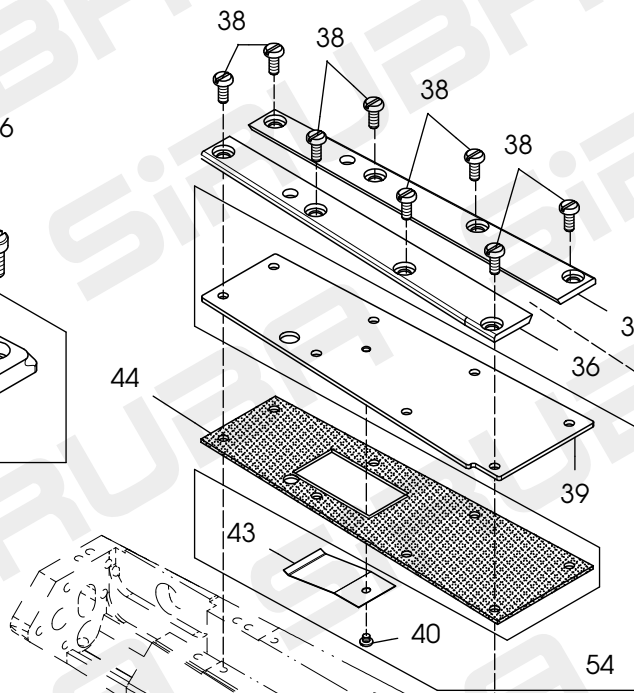
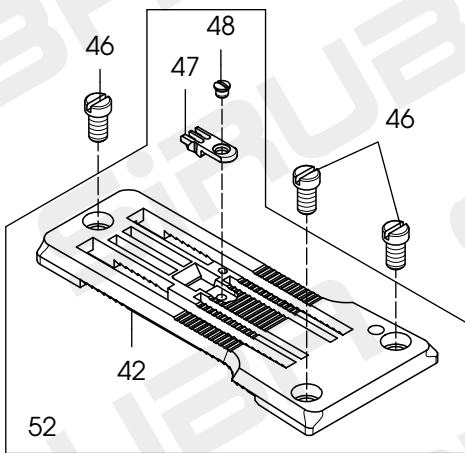
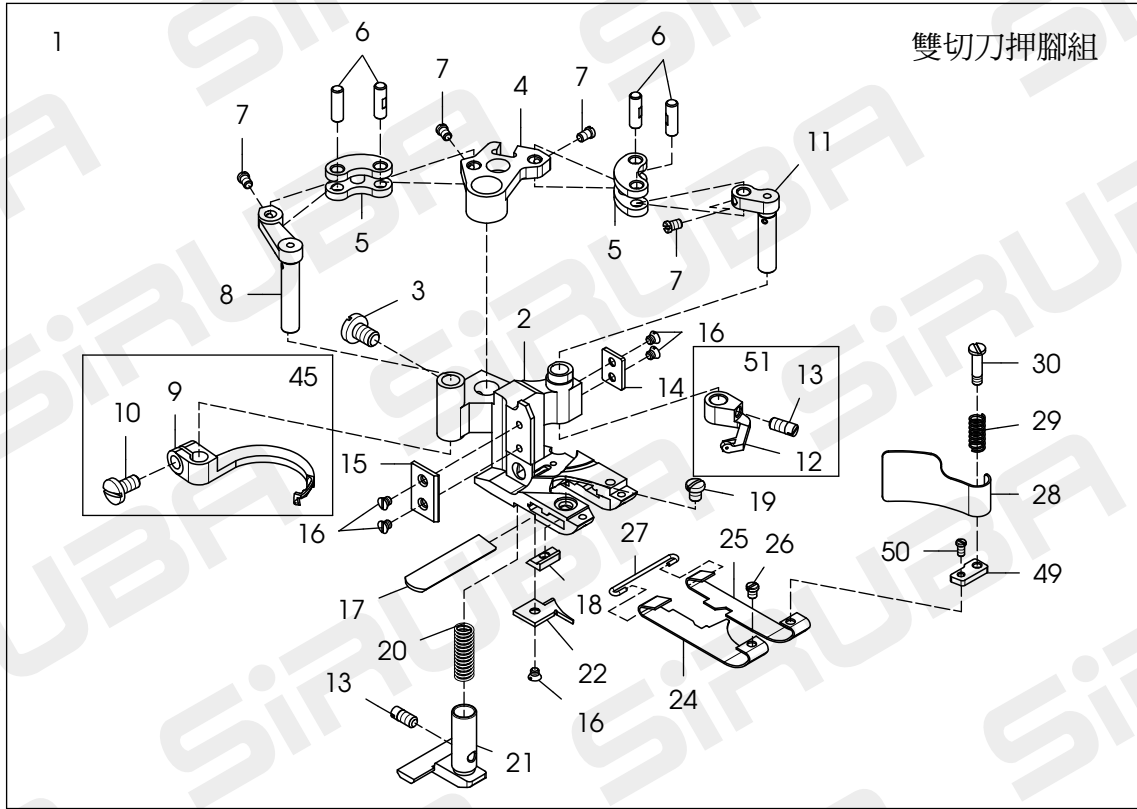
雙切押腳機構

18

Ref.	Parts			Amt.
No.	No.	Description	品名	Req.
1	★ 07401801	Double Side Cut Presser Foot C. Set.....	雙切押具組.....	1
2	★ 07401802	Double Side Cut Presser Foot.....	雙切押腳.....	1
3	07400615	Screw (11/64-40X6.3).....	螺絲.....	1
4	07400616	Carrier/Hook Driving Segment.....	上勾針驅動扇形片.....	1
5	07400617	Carrier/Hook Driving Lever Link.....	上勾針驅動連桿.....	2
6	07400618	Link Pin.....	連桿插銷.....	4
7	07400619	Screw (3/32-56X3.3).....	螺絲.....	4
8	07400620	Thread Hook Driving Lever.....	勾針驅動槓桿.....	1
9	07400621	Top Cover Thread Hook.....	上飾線過線勾.....	1
10	07400622	Screw (9/64-40X6.8).....	螺絲.....	1
11	07400623	Top Cover Thread Carrier Driving Lever...	上飾線托架驅動槓桿.....	1
12	07400624	Top Cover Thread Carrier.....	上飾線托架.....	1
13	07400338	Screw (1/8-44X5).....	螺絲.....	2
14	07400626	Presser Foot Attach Piece (Right).....	押腳連接片(右).....	1
15	07400627	Presser Foot Attach Piece (Left).....	押腳連接片(左).....	1
16	07400628	Screw(3/32-56X1.5).....	螺絲.....	5
17	07400629	Lower Knife.....	下切刀片.....	1
18	07400630	Lower Knife Clamp.....	下切刀夾板.....	1
19	07400631	Screw (1/8-44X3.5).....	螺絲.....	1
20	07400632	Yielding Section Spring.....	押具輔助座彈簧.....	1
21	★ 07401821	Yielding Section.....	押具輔助座.....	1
22	★ 07401822	Presser Foot Tongue.....	導布板.....	1
23	07401823	Screw (3/32-56X2).....	螺絲.....	1
24	★ 07401824	Presser Foot Spring Plate (Left).....	押具押板(左).....	1
25	★ 07401825	Presser Foot Spring Plate (Right).....	押具押板(右).....	1
26	07400637	Screw (3/32-56X2.6).....	螺絲.....	2
27	07400638	Spring Plate Holder.....	彈簧片固定座.....	1
28	07401828	Chip Guard.....	切角防護片.....	1
29	07400640	Chip Guard Spring.....	切角防護片彈簧.....	1
30	07400641	Screw (1/8-44X3.4).....	螺絲.....	1
31	★ 07401831	Lap Former Guide.....	導布器.....	1
32	07401832	Screw (3/32-56X3.5).....	螺絲.....	1
33	07401833	Screw (3/32-56X3.9).....	螺絲.....	1
34	07401834	Lap Former Guide Support.....	導布器座.....	1
35	07401835	Lap Former Guide Spring.....	導布器彈簧片.....	1
36	07401836	Lap Former Guide Plate (Left).....	導布器滑軌(左).....	1
37	07401837	Lap Former Guide Plate (Right).....	導布器滑軌(右).....	1
38	07400218	Screw (1/8-44X8).....	螺絲.....	8

★ 請參照附件 1【針距規格表】

雙切刀押腳組



DOUBLE SIDE CUT PRESSER FOOT MECHANISM

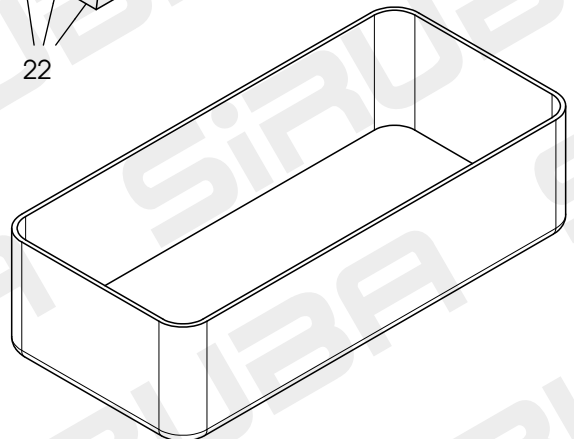
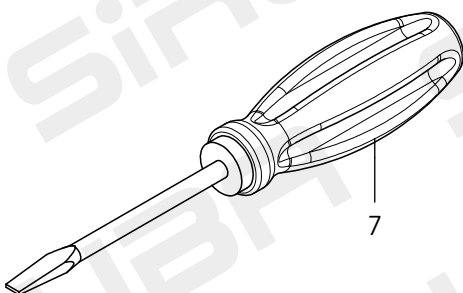
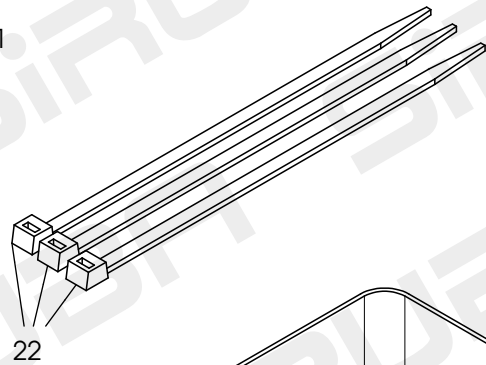
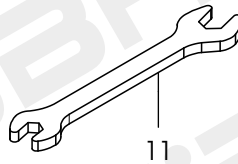
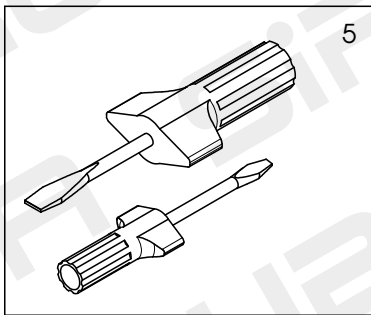
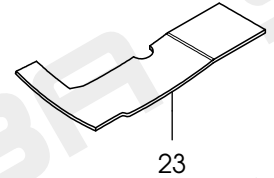
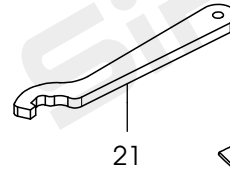
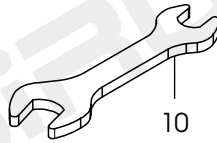
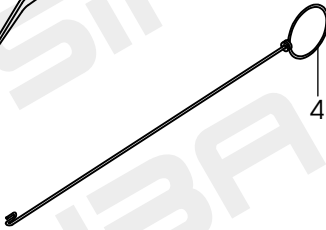
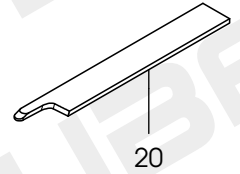
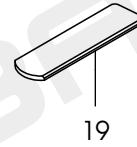
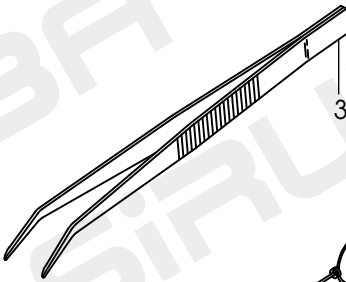
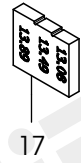
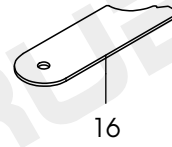
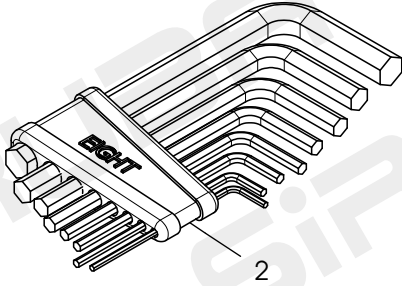
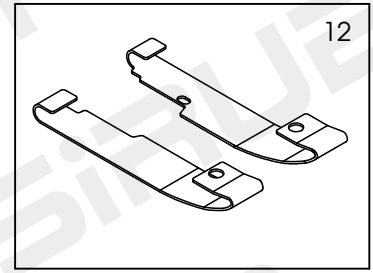
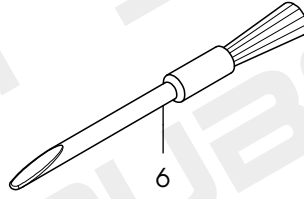
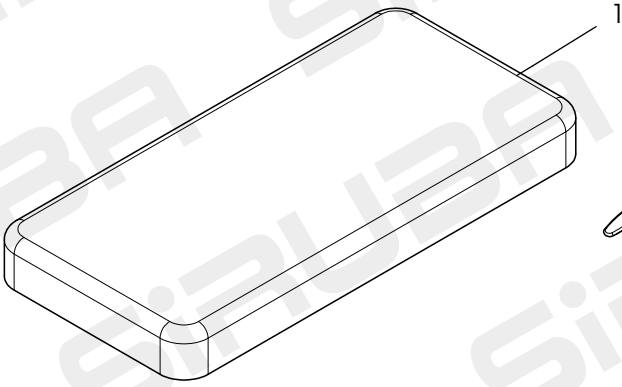
雙切押腳機構

18

Ref. No.	Parts No.	Description	品名	Amt. Req.
39	07401839	Sewing Cylinder Cover (Upper).....	下巴蓋板.....	1
40	07400221	Screw (3/32-56X2.1).....	螺絲.....	1
41	★ 07401841	Main Feed Dog.....	雙切後送齒.....	1
42	★	Stitch Plate.....	雙切針板.....	1
43	07400220	Dust Defender (Upper).....	防塵蓋(上).....	1
44	07400217	Seal Gasket.....	止油墊片.....	1
45	07400646	Top Cover Thread Hook C.Set.....	上飾線勾針組(長).....	1
46	07400538	Screw (9/64-40X6.4).....	螺絲.....	3
47	★	Stitch Plate Tongue.....	針板舌.....	1
48	07400547	Screw (3/32-56X2).....	螺絲.....	1
49	07400649	Spacer.....	墊塊.....	1
50	07400650	Screw (3/32-56X4.3).....	螺絲.....	1
51	07400647	Top Cover Thread Carrier C.Set.....	上飾線勾針組(短).....	1
52	07401852	Stitch Plate C.Set.....	針板組.....	1
53	07401853	Lap Former Guide C.Set.....	導布組.....	1
54	07401854	Sewing Cylinder Cover (Upper) C.Set.....	下巴蓋板組.....	1

★ 請參照附件 1 【針距規格表】





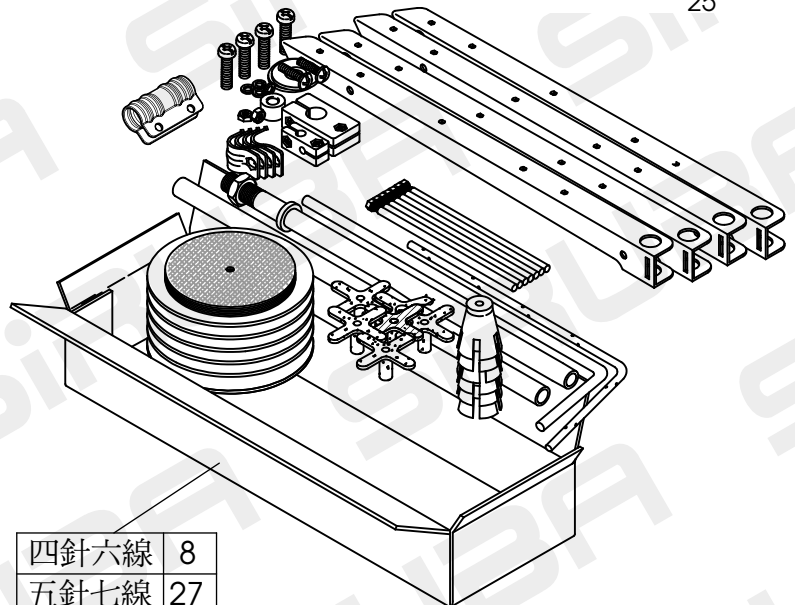
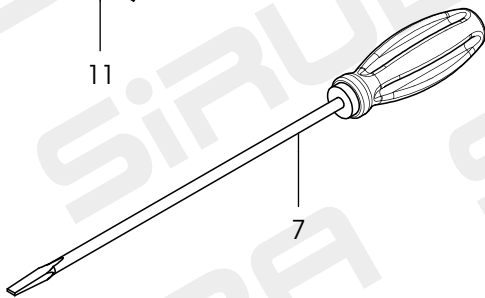
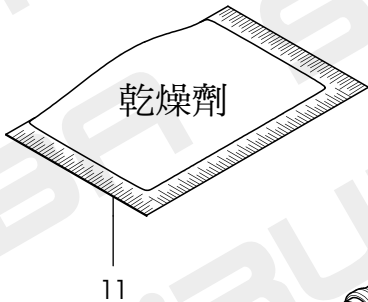
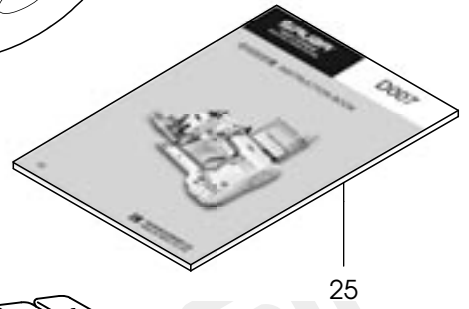
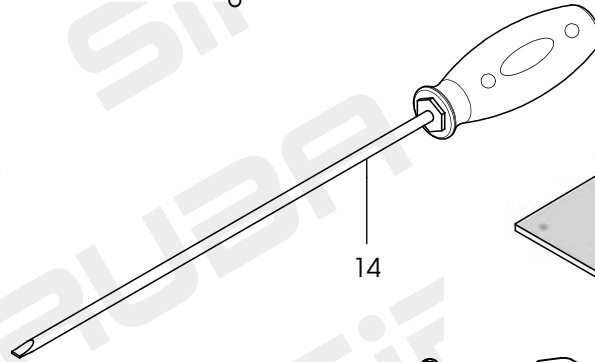
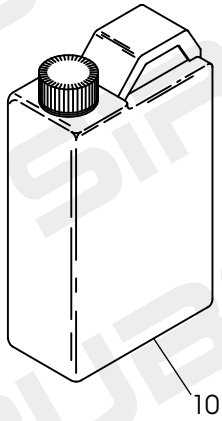
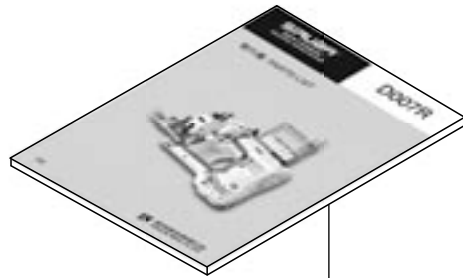
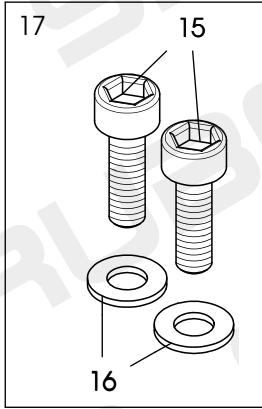
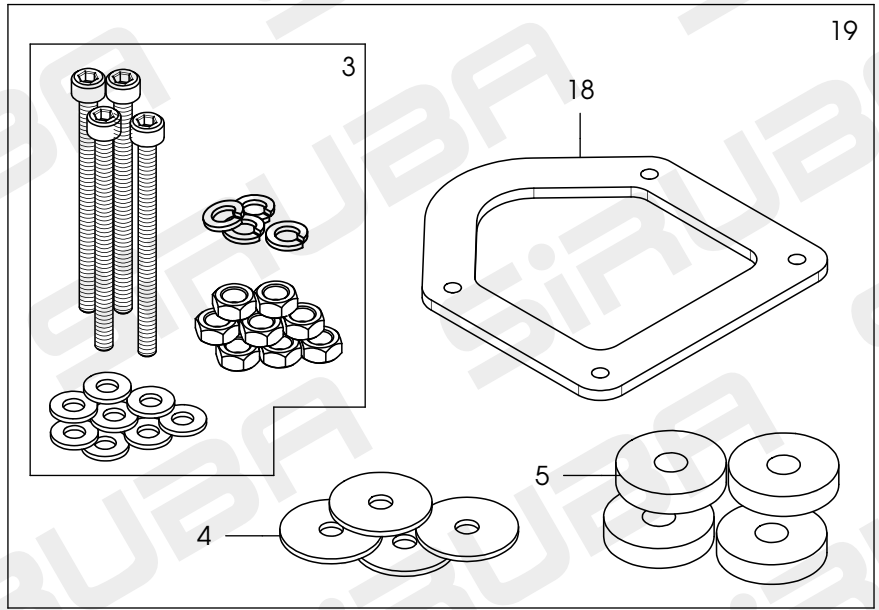
## ATTACHMENT BOX

附件盒

19

Ref. No.	Parts No.	Description	品名	Amt. Req.
1	07401901	Attachment Box.....	附件盒.....	1
2	07401902	Hexagonal Wrench C. Set.....	內六角板手組.....	1
3	07401903	Thread Tweezers.....	穿線夾.....	1
4	07401904	Threading Wire.....	穿線鐵絲.....	1
5	07401905	Screwdriver C. Set.....	螺絲起子組.....	1
6	07401906	Hairbrush.....	毛刷.....	1
7	07401907	Screwdriver.....	螺絲起子.....	1
8	★ 07400541	Needle.....	擊針.....	10
9	★ 07400542	Needle.....	假針.....	5
10	07401910	Wrench.....	板手.....	1
11	07401911	Wrench.....	板手.....	1
12	★	Presser Foot Spring Plate C. Set.....	押腳押具組(長).....	1
16	07401916	Looper Gauge.....	勾針前後調節板手.....	1
17	07401917	Needle Height Gauge.....	針棒高度調節器.....	1
19	★ 07400629	Lower Knife.....	下切刀片.....	1
20	★ 07400744	Upper Knife.....	上切刀片.....	1
21	07401921	Adjusting Gauge.....	調節板手.....	1
22	07401922	Ties.....	束線帶.....	3
23	07401923	Looper Gauges.....	下勾針平行定規.....	1

★ 請參照附件 1【針距規格表】



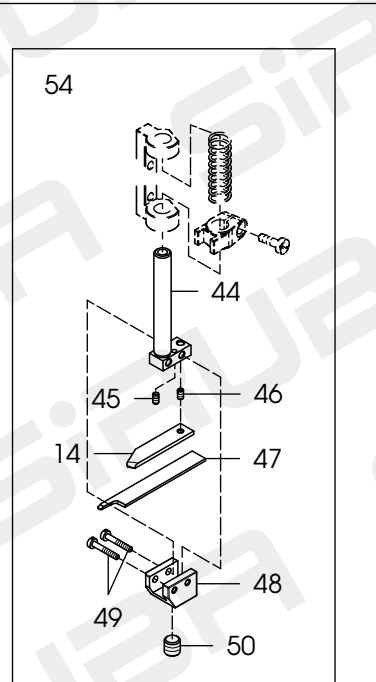
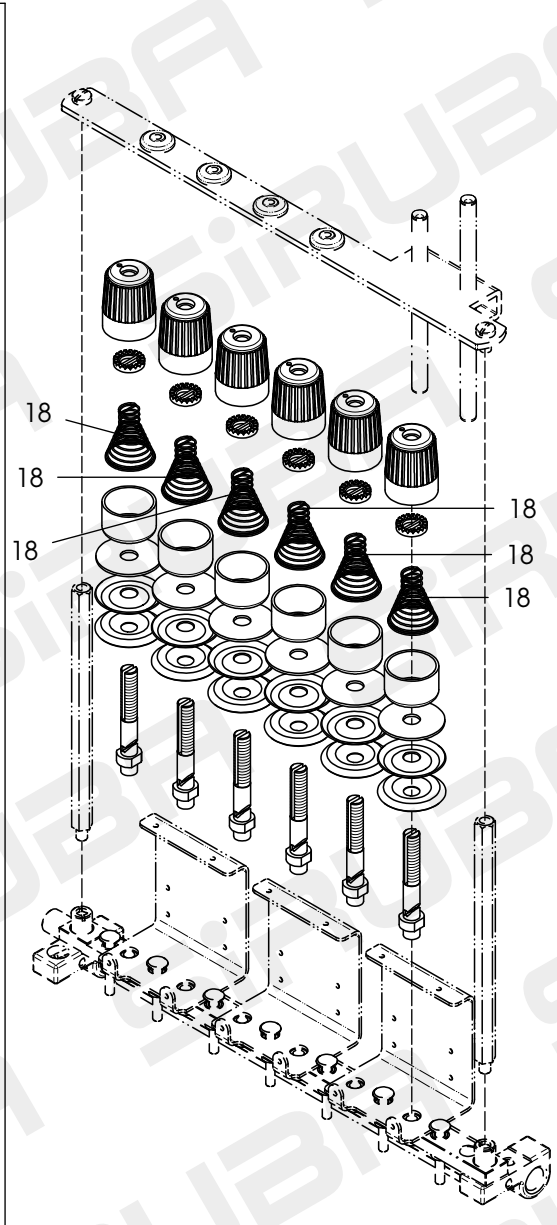
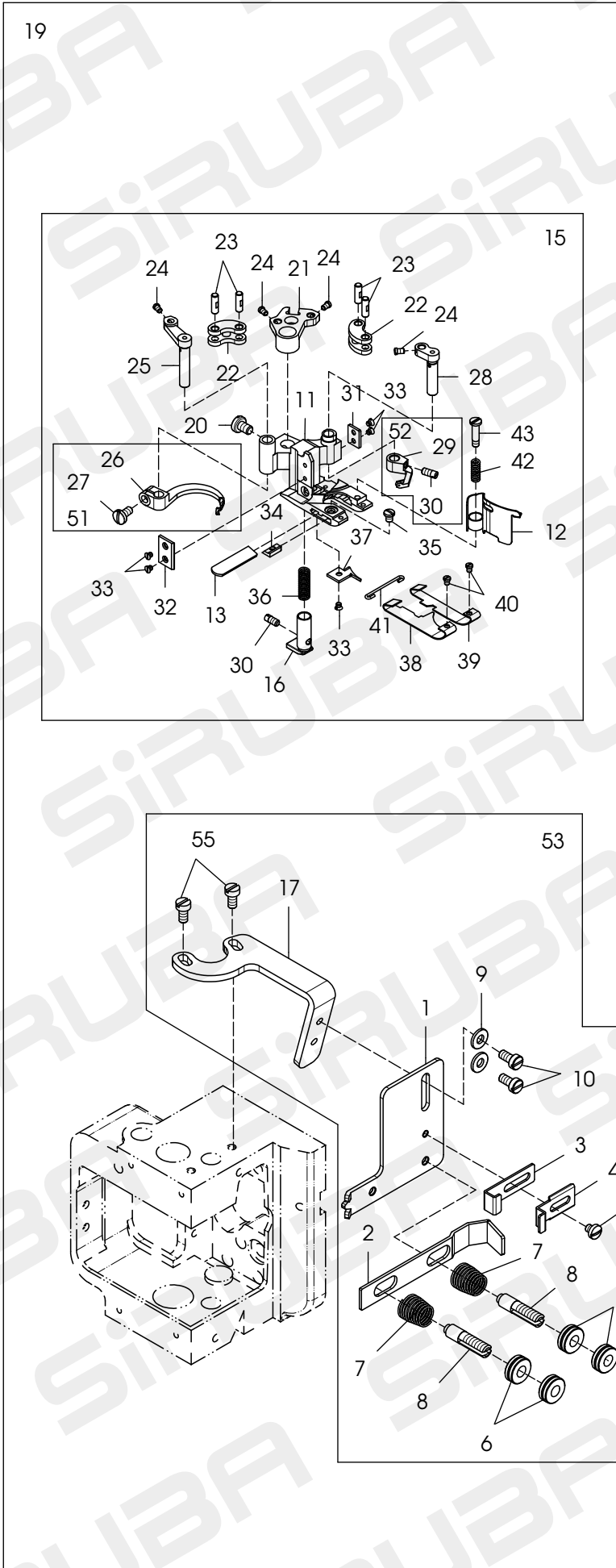
四針六線	8
五針七線	27

ACCESSORIES

附件箱

20

Ref.	Parts			Amt.
<u>No.</u>	<u>No.</u>	<u>Description</u>	<u>品 名</u>	<u>Req.</u>
1	07402001	Oiler.....	油壺.....	1
2	07402002	Funnel.....	漏斗.....	1
3	07402003	Screw C. Set.....	螺絲組.....	1
4	07402004	Washer.....	墊片.....	4
5	07402005	Rubber Cushion.....	避震膠墊.....	4
6	07402006	Spare Parts Book.....	零件圖.....	1
7	07402007	Screwdriver.....	螺絲起子.....	1
8	07402008	Thread Stand C. Set .....	線架組(四針六線).....	1
9	07402009	Machine Cover.....	防塵罩.....	1
10	07402010	Oil.....	潤滑油.....	1
11	07402011	Drier.....	乾燥劑.....	1
14	07402014	Screwdriver.....	螺絲起子.....	1
15	07402015	Screw(3/8-24X32).....	螺絲.....	2
16	07402016	Washer.....	墊片.....	2
17	07402017	Screw C. Set.....	螺絲組.....	1
18	07402018	Supporting Block Rubber Cushion.....	車台固定座避震膠墊.....	1
19	07402019	Supporting Block Rubber Cushion Set.....	車台固定座避震膠墊螺絲組.....	1
25	07402025	Instruction & Maintenance Book.....	使用說明&維修手冊.....	1
27	07402027	Thread Stand C. Set .....	線架組(五針七線).....	1

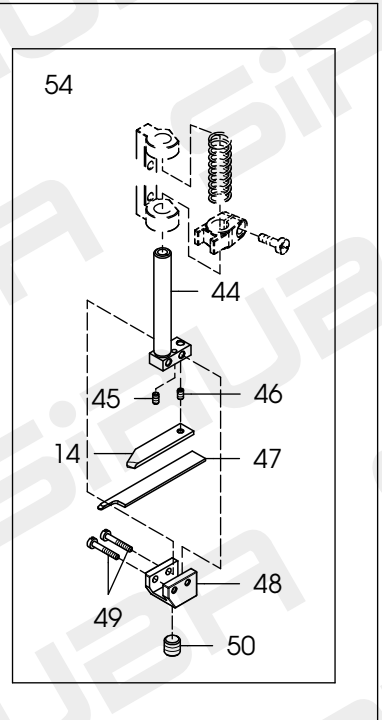
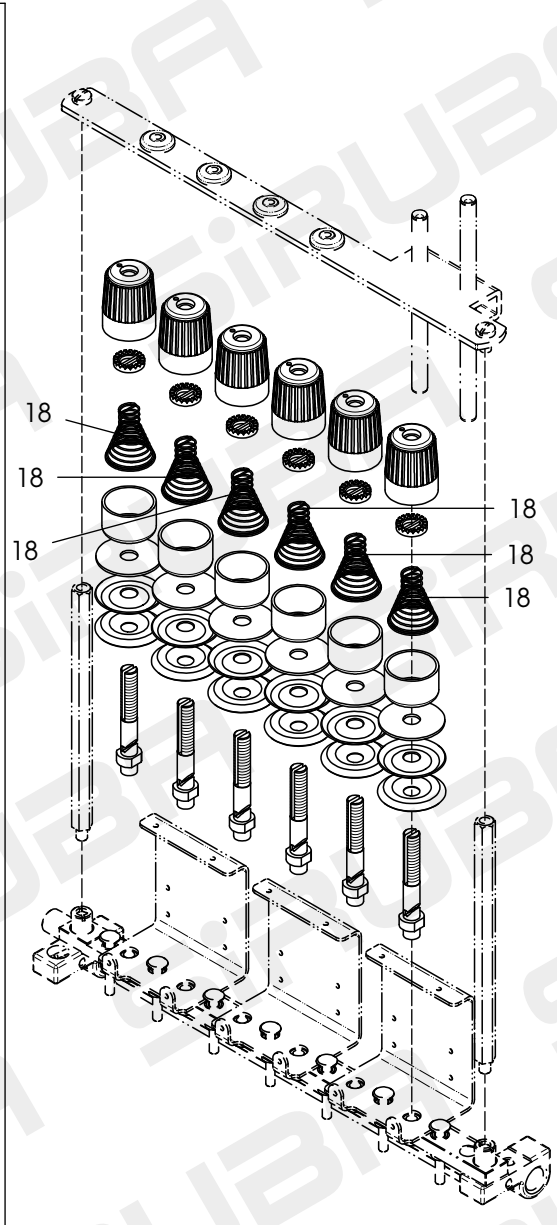
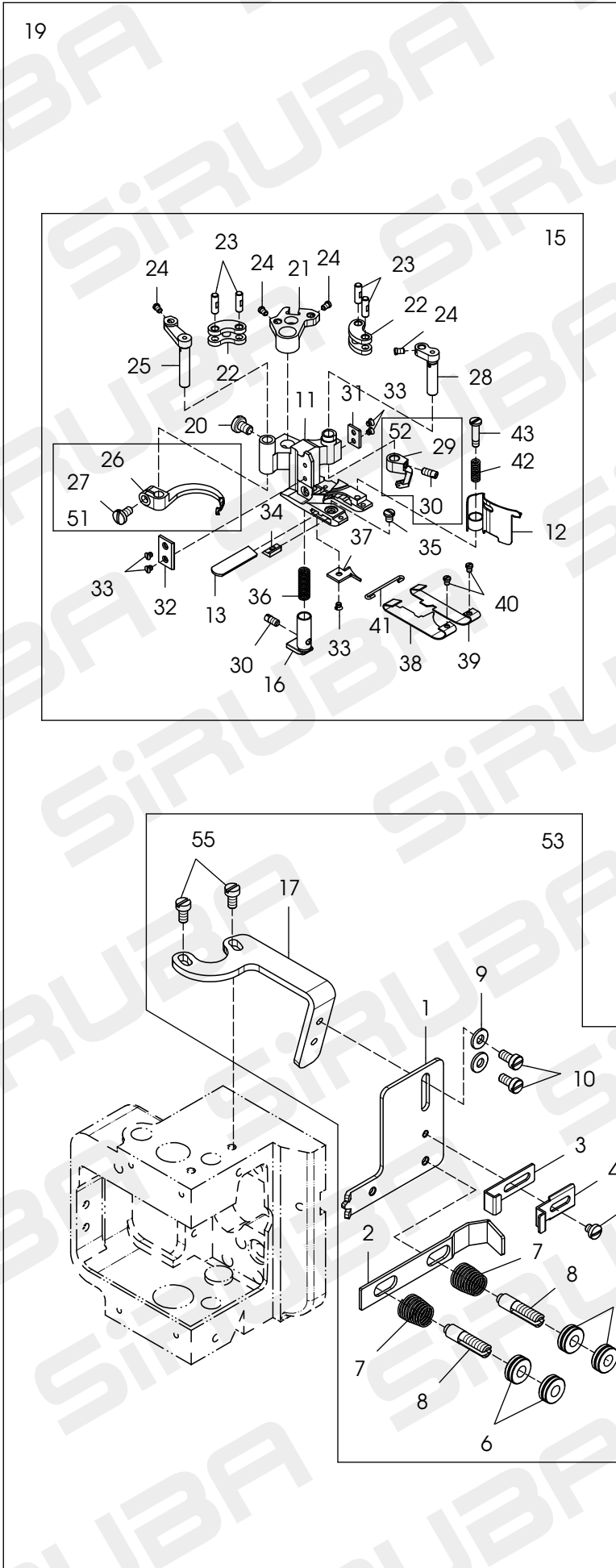


## SELECT DEVICE(02-T1)

選擇配備(02-T1)-織帶 21

Ref.	Parts			Amt.
No.	No.	Description	品名	Req.
1	07402101	Tape Holder.....	織帶固定座.....	1
2	07402102	Tape Tension Disc Clamp.....	張力調整夾板.....	1
3	07402103	Tape Thread Guard (Rear).....	過線架(後).....	1
4	07402104	Tape Thread Guard (Front).....	過線架(前).....	1
5	07870534	Screw (9/64"-40X4).....	螺絲.....	1
6	07402106	Spring Disc Nut.....	彈簧調整螺帽.....	4
7	07402107	Tape Spring.....	彈簧.....	2
8	07402108	Tension Post.....	張力彈簧支柱.....	2
9	07402109(WF03)	Wash.....	墊片.....	2
10	07400302	Screw (11/64"-40X7.8).....	螺絲.....	2
11	★ 07402111	Double Side Cut Presser Foot (02-T1).....	雙切織帶押腳.....	1
12	07402112	Chip Guard.....	切角防護片.....	1
13	★ 07402113	Lower Knife.....	下切刀.....	1
14	07402114	Knife Support.....	上切刀支架.....	1
15	★ 07402115	Presser Foot C. Set.....	押具組.....	1
16	★ 07402116	Yielding Section.....	押具輔助座.....	1
17	07402117	Tape Control Bracket .....	織帶控制架.....	1
18	07400320	Top Cover Thread Tension Spring.....	上飾線張力彈簧.....	6
19	07402119	Tape Reel C.Set.....	織帶組.....	1
20	07400615	Screw (11/64-40X6.3).....	螺絲.....	1
21	07400616	Carrier/Hook Driving Segment.....	上勾針驅動扇形片.....	1
22	07400617	Carrier/Hook Driving Lever Link.....	上勾針驅動連桿.....	2
23	07400618	Link Pin.....	連桿插銷.....	4
24	07400619	Screw (3/32-56X3.3).....	螺絲.....	4
25	07400620	Thread Hook Driving Lever.....	勾針驅動槓桿.....	1
26	07400621	Top Cover Thread Hook.....	上飾線過線勾.....	1
27	07400622	Screw (9/64-40X6.8).....	螺絲.....	1
28	07400623	Top Cover Thread Carrier Driving Lever... 上飾線托架驅動槓桿.....		1
29	07400624	Top Cover Thread Carrier.....	上飾線托架.....	1
30	07400338	Screw (1/8-44X5).....	螺絲.....	2
31	07400626	Presser Foot Attach Piece (Right).....	押腳連接片(右).....	1
32	07400627	Presser Foot Attach Piece (Left).....	押腳連接片(左).....	1
33	07400628	Screw(3/32-56X1.5).....	螺絲.....	5
34	07400630	Lower Knife Clamp.....	下切刀夾板.....	1
35	07400631	Screw (1/8-44X3.5).....	螺絲.....	1
36	07400632	Yielding Section Spring.....	押具輔助座彈簧.....	1
37	★ 07401822	Presser Foot Tongue.....	導布板.....	1
38	★ 07401824	Presser Foot Spring Plate (Left).....	押具押板(左).....	1
39	★ 07401825	Presser Foot Spring Plate (Right).....	押具押板(右).....	1

★ 請參照附件 1【針距規格表】



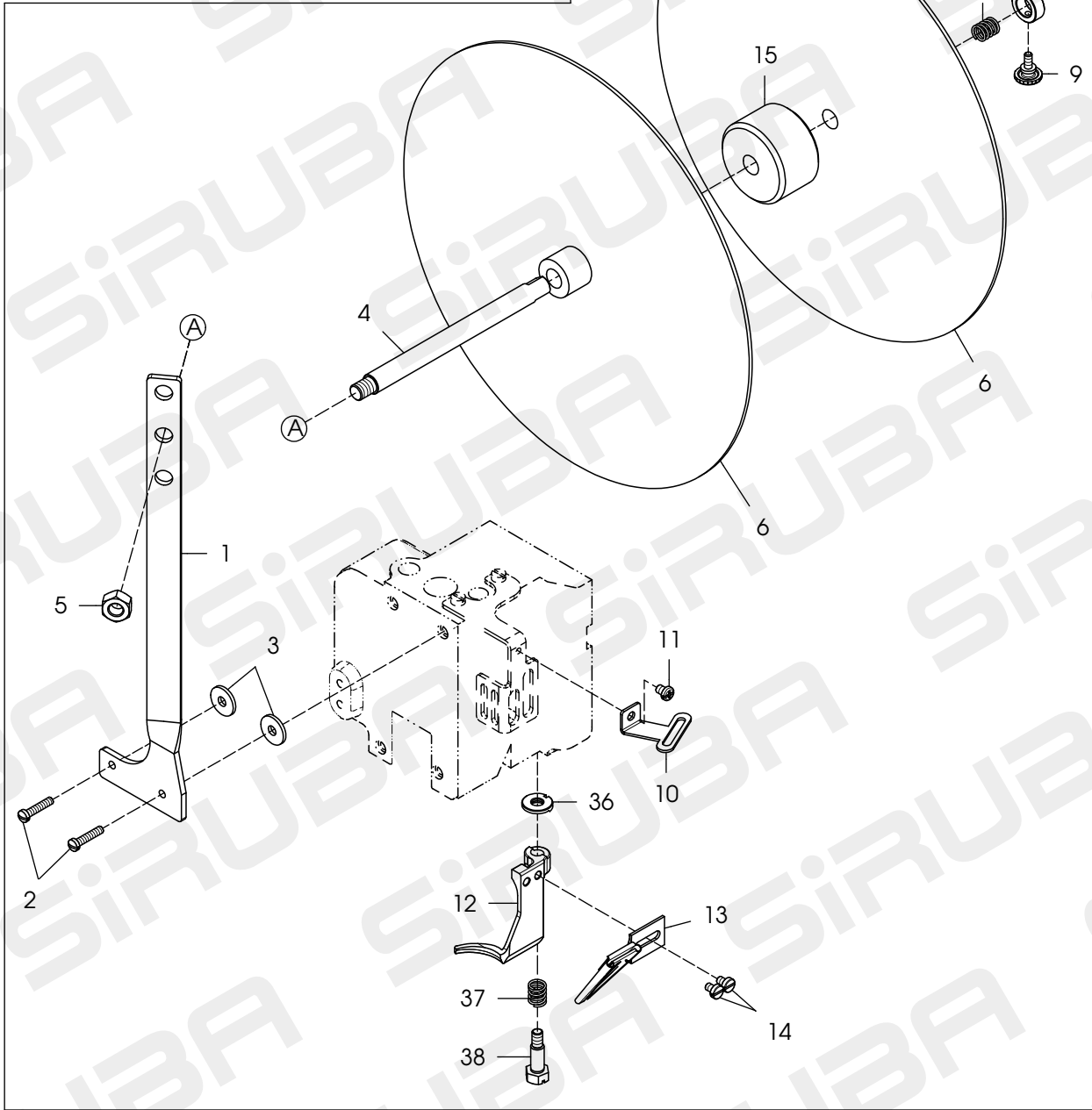
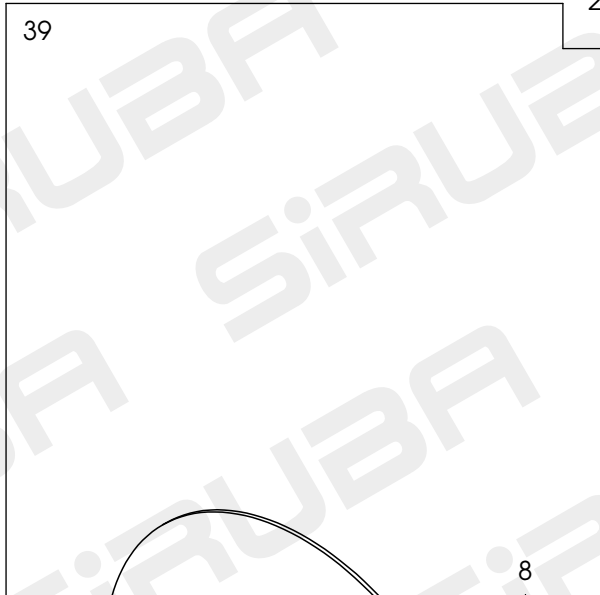
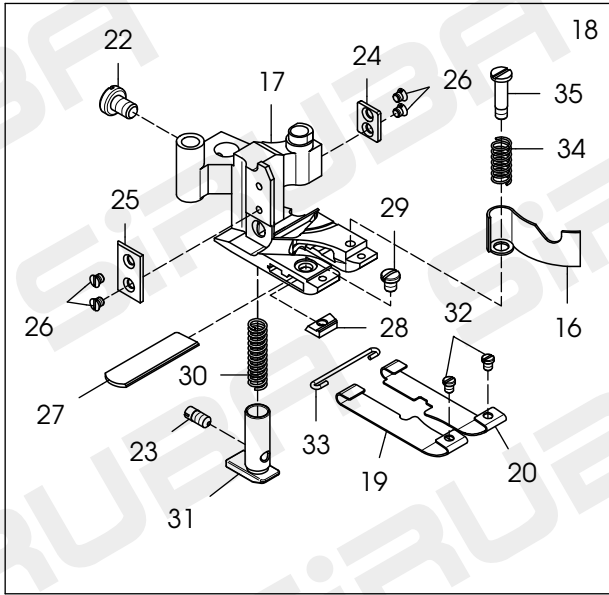
## SELECT DEVICE(02-T1)

選擇配備(02-T1)-織帶 21

Ref.	Parts			Amt.
No.	No.	Description	品名	Req.
40	07400637	Screw (3/32-56X2.6).....	螺絲.....	2
41	07400638	Spring Plate Holder.....	彈簧片固定座.....	1
42	07400640	Chip Guard Spring.....	切角防護片彈簧.....	1
43	07400641	Screw (1/8-44X3.4).....	螺絲.....	1
44	07400740	Knife Holder Shank.....	上切刀固定座柄.....	1
45	07400741	Screw (3/32-56X3.8).....	螺絲.....	1
46	07400743	Screw (3/32-56X1.2).....	螺絲.....	1
47	★ 07400744	Upper Knife.....	上切刀片.....	1
48	07400745	Knife Holder.....	上刀片固定座.....	1
49	07400746	Screw (3/32-56X7).....	螺絲.....	2
50	07400530	Screw (1/4-40X6).....	螺絲.....	1
51	07400646	Top Cover Thread Hook C.Set.....	上飾線勾針組(長).....	1
52	07400647	Top Cover Thread Carrier C.Set.....	上飾線勾針組(短).....	1
53	07402153	Tape Holder C.Set.....	織帶固定組.....	1
54	07402154	Knife Holder C.Set.....	上刀片固定座組.....	1
55	07400168	Screw (M4-0.7X8).....	螺絲.....	2

★ 請參照附件 1【針距規格表】



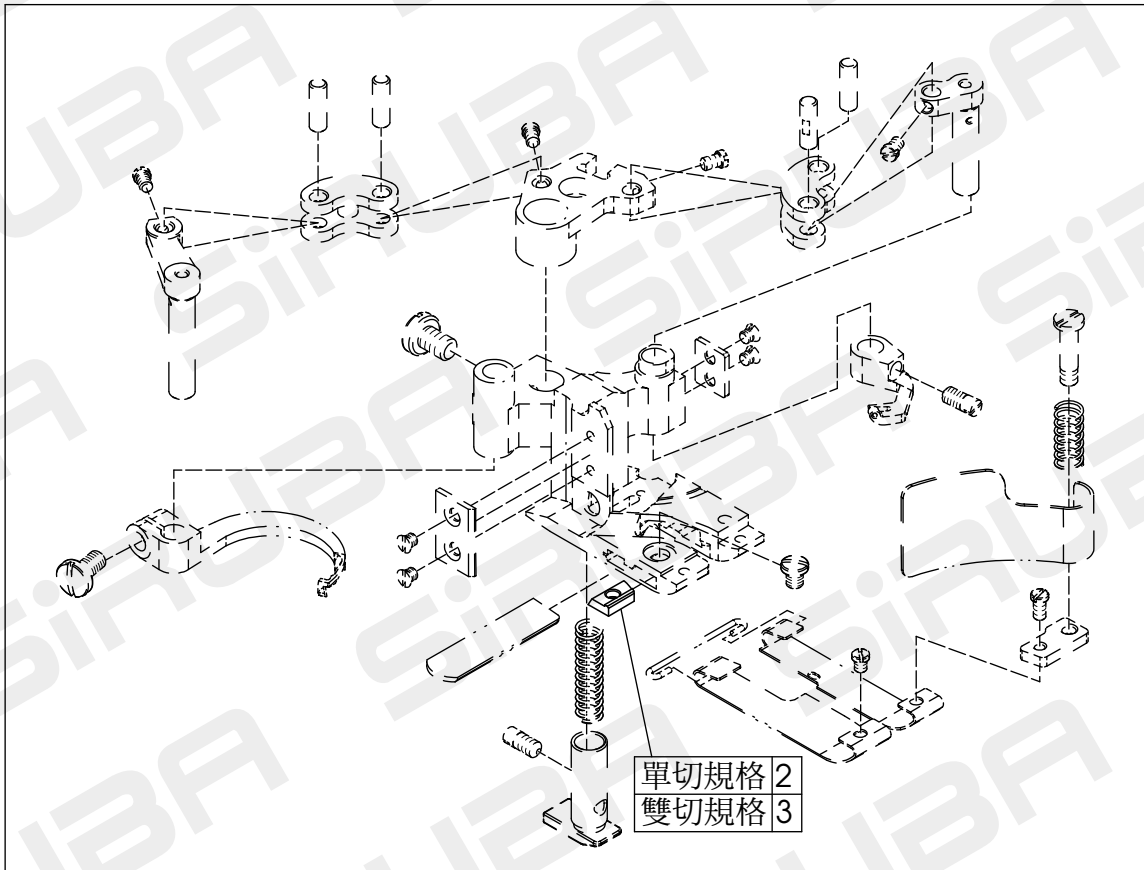
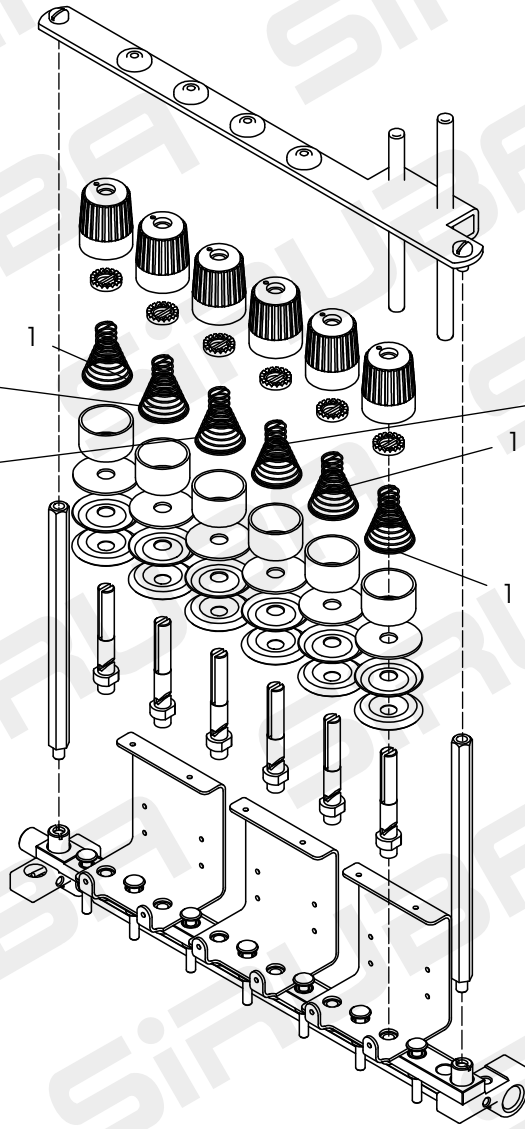


## SELECT DEVICE(01-T2)

選擇配備(01-T2)-貼條 22

Ref.	Parts			Amt.
No.	No.	Description	品名	Req.
1	07402201	Tape Reel Support.....	貼條架.....	1
2	07402202	Screw(9/64"-40 x 17).....	螺絲.....	2
3	07402203	Rubber Cushion.....	橡膠墊片.....	2
4	07402204	Tape Reel Shaft.....	貼條主軸.....	1
5	07402205	Nut.....	螺帽.....	1
6	07402206	Tape Reel.....	貼條盤.....	2
7	07402207	Tape Reel Spring.....	彈簧.....	1
8	07402208	Collar( 10 x16 x 6mm).....	軸環.....	1
9	07402209	Screw(9/64"-40 x 7.9).....	螺絲.....	1
10	07402210	Tape Guide.....	織帶導引支架.....	1
11	07402211	Screw(M4-0.7 x 5).....	螺絲.....	1
12	07402212	Frame Chip Guard.....	導布蓋.....	1
13	07402213	Binder.....	包邊器(喇叭).....	1
14	07402214	Screw(9/64"-40 x 5).....	螺絲.....	2
15	07402215	Cushion Block.....	墊塊.....	1
16	07402216	Chip Guard.....	切角防護片.....	1
17	★ 07402217	One Side Cut Presser Foot (01-T2).....	單切貼條押腳.....	1
18	07402218	Presser Foot C. Set .....	押具組.....	1
19	★ 07402219	Presser Foot Spring Plate (Left).....	押具押板(左).....	1
20	★ 07402220	Presser Foot Spring Plate (Right).....	押具押板(右).....	1
21	07402221	Tape Reel C.Set.....	貼條組.....	1
22	07400615	Screw (11/64-40X6.3).....	螺絲.....	1
23	07400338	Screw (1/8-44X5).....	螺絲.....	2
24	07400626	Presser Foot Attach Piece (Right).....	押腳連接片(右).....	1
25	07400627	Presser Foot Attach Piece (Left).....	押腳連接片(左).....	1
26	07400628	Screw(3/32-56X1.5).....	螺絲.....	4
27	07400629	Lower Knife.....	下切刀片.....	1
28	07400630	Lower Knife Clamp.....	下切刀夾板.....	1
29	07400631	Screw (1/8-44X3.5).....	螺絲.....	1
30	07400632	Yielding Section Spring.....	押具輔助座彈簧.....	1
31	★ 07400633	Yielding Section.....	押具輔助座.....	1
32	07400637	Screw (3/32-56X2.6).....	螺絲.....	2
33	07400638	Spring Plate Holder.....	彈簧片固定座.....	1
34	07400640	Chip Guard Spring.....	切角防護片彈簧.....	1
35	07400641	Screw (1/8-44X3.4).....	螺絲.....	1
36	07400144	Frame Chip Guard Washer.....	導布蓋固定墊片.....	1
37	07400146	Frame Chip Guard Spring.....	導布蓋彈簧.....	1
38	07400147	Screw (M5-0.8X8.5).....	螺絲.....	1
39	07402239	Tape Reel Support C.Set.....	貼條組.....	1

★ 請參照附件 1【針距規格表】

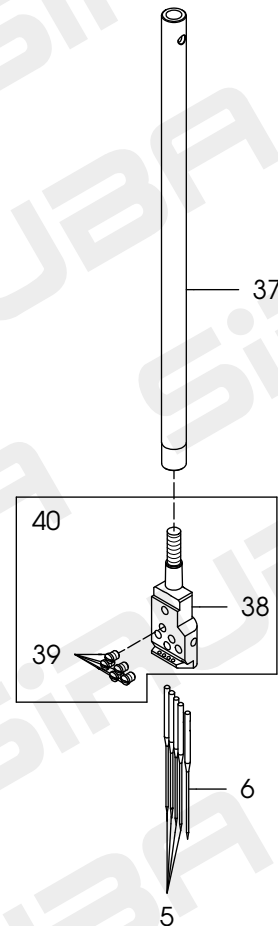
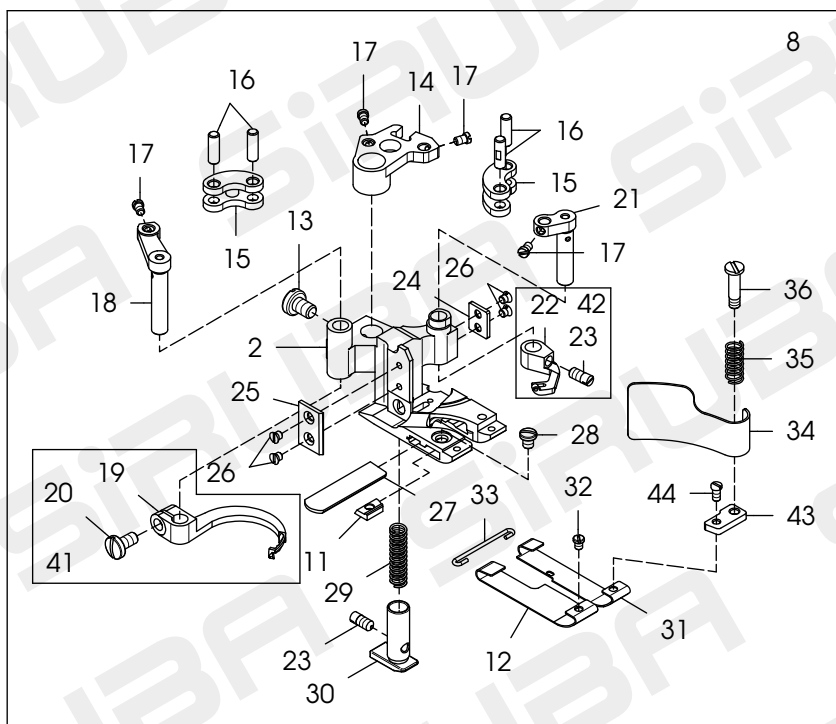
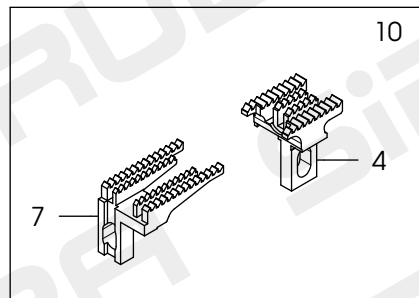
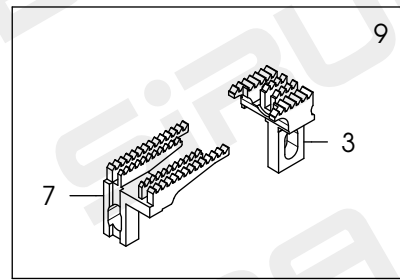
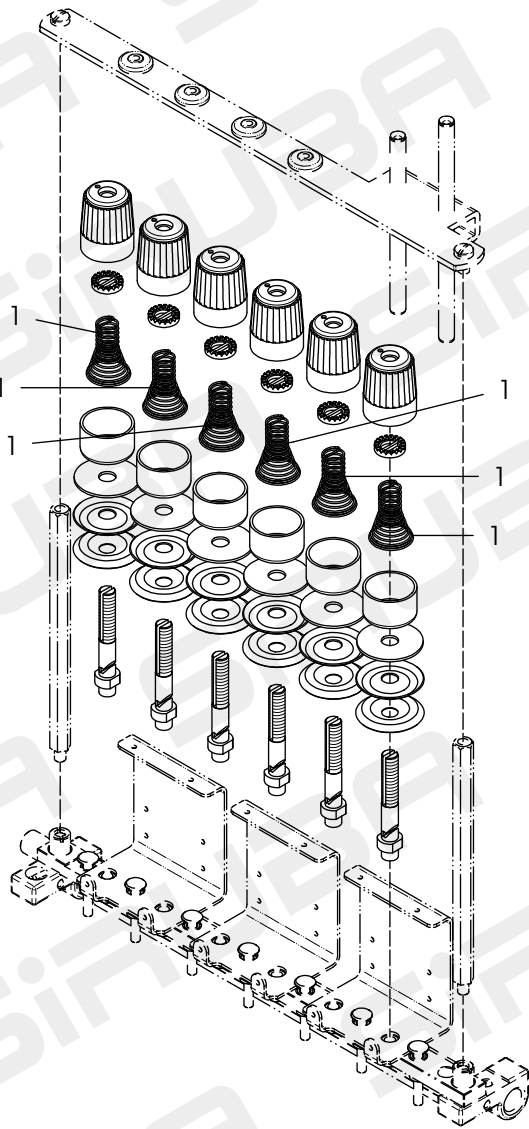


SELECT DEVICE(S)

選擇配備(S)-襪子

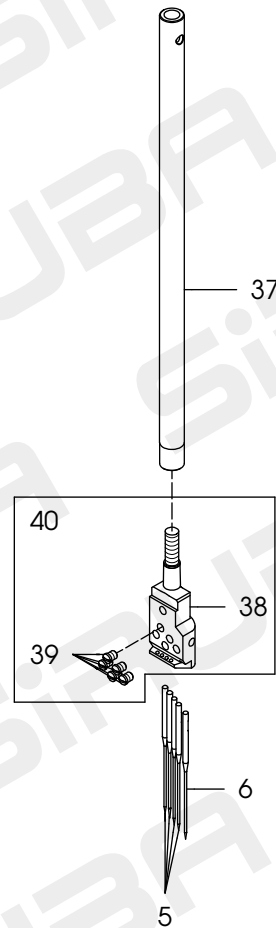
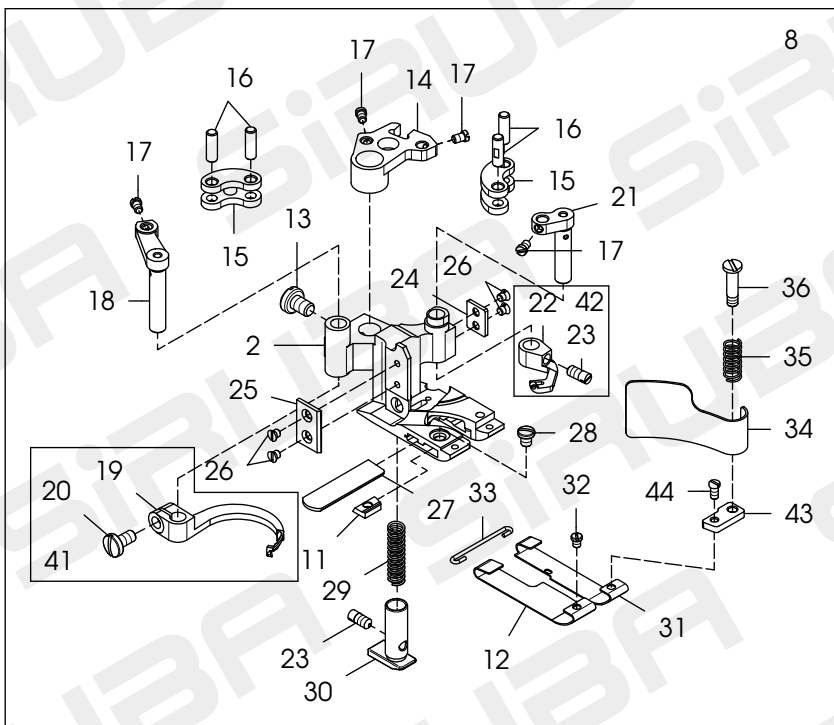
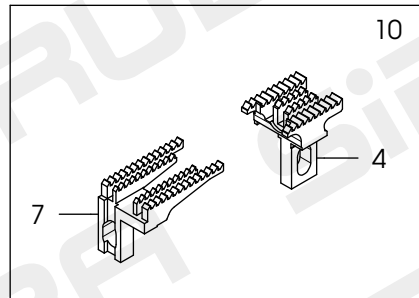
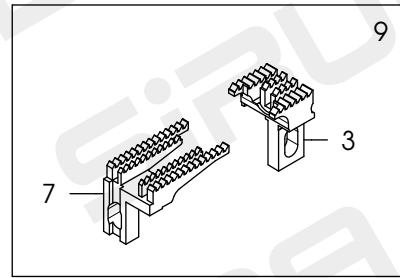
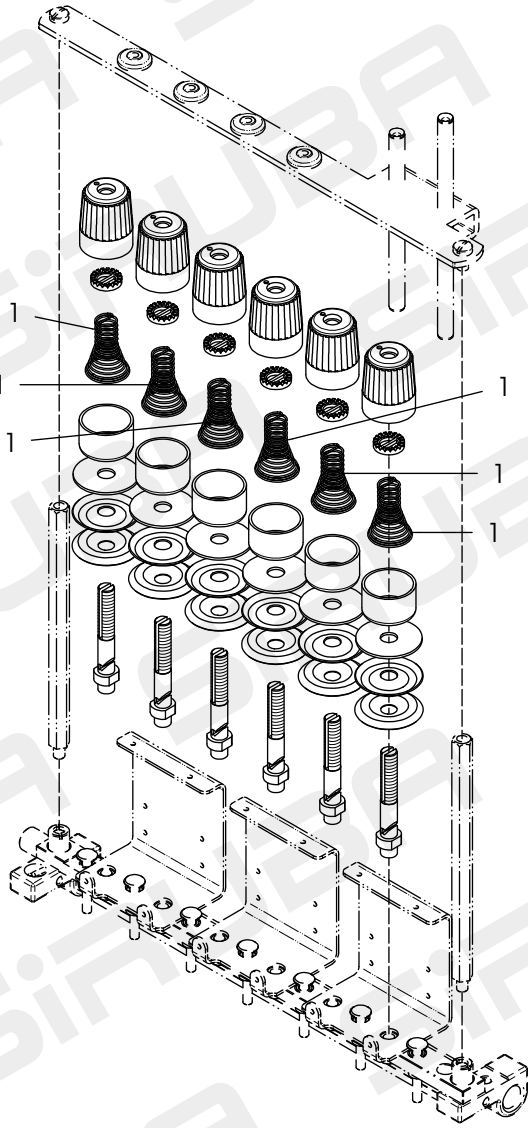
23

<u>Ref.</u>	<u>Parts</u>			<u>Amt.</u>
<u>No.</u>	<u>No.</u>	<u>Description</u>	<u>品 名</u>	<u>Req.</u>
1	07400319	Top Cover Thread Tension Spring.....	上飾線張力彈簧.....	6
2	07402302	Lower Knife Clamp (One Side Cut) .....	下刀片夾板(單切).....	1
3	07400630	Lower Knife Clamp (Double Side Cut)....	下刀片夾板(雙切).....	1



Ref. No.	Parts No.	Description	品 名	Amt. Req.
1	07870303	Top Cover Thread Tension Spring.....	上飾線張力彈簧.....	6
2	★ 07402402	Presser Foot (01)-452.460.....	專用押腳(01)-規格 452.460.	1
3	★ 07402403	Main Feed Dog (One Side Cut).....	後送齒(單切).....	1
4	★ 07402404	Main Feed Dog (Double Side Cut).....	後送齒(雙切).....	1
5	07402405	Needle.....	擊針.....	4
6	07402406	Retainer.....	假針.....	1
7	★ 07402407	Differential Feed Dog.....	前送齒.....	1
8	★ 07402408	Presser Foot C. Set .....	專用押具組.....	1
9	07402409	One Side Cut Feed Dog C. Set.....	單切送齒組.....	1
10	07402410	Double Side Cut Feed Dog C. Set.....	雙切送齒組.....	1
11	★ 07402411	Lower Knife Clamp.....	下切刀夾板.....	1
12	★ 07402412	Presser Foot Spring Plate (Left).....	押具押板(左).....	1
13	07400615	Screw (11/64-40X6.3).....	螺絲.....	1
14	07400616	Carrier/Hook Driving Segment.....	上勾針驅動扇形片.....	1
15	07400617	Carrier/Hook Driving Lever Link.....	上勾針驅動連桿.....	2
16	07400618	Link Pin.....	連桿插銷.....	4
17	07400619	Screw (3/32-56X3.3).....	螺絲.....	4
18	07400620	Thread Hook Driving Lever.....	勾針驅動槓桿.....	1
19	07400621	Top Cover Thread Hook.....	上飾線過線勾.....	1
20	07400622	Screw (9/64-40X6.8).....	螺絲.....	1
21	07400623	Top Cover Thread Carrier Driving Lever... ..	上飾線托架驅動槓桿.....	1
22	07400624	Top Cover Thread Carrier.....	上飾線托架.....	1
23	07400338	Screw (1/8-44X5).....	螺絲.....	2
24	07400626	Presser Foot Attach Piece (Right).....	押腳連接片(右).....	1
25	07400627	Presser Foot Attach Piece (Left).....	押腳連接片(左).....	1
26	07400628	Screw(3/32-56X1.5).....	螺絲.....	4
27	07400629	Lower Knife.....	下切刀片.....	1
28	07400631	Screw (1/8-44X3.5).....	螺絲.....	1
29	07400632	Yielding Section Spring.....	押具輔助座彈簧.....	1
30	★ 07400633	Yielding Section.....	押具輔助座.....	1
31	★ 07400636	Presser Foot Spring Plate (Right).....	押具押板(右).....	1
32	07400637	Screw (3/32-56X2.6).....	螺絲.....	1
33	07400638	Spring Plate Holder.....	彈簧片固定座.....	1
34	07400639	Chip Guard.....	切角防護片.....	1
35	07400640	Chip Guard Spring.....	切角防護片彈簧.....	1
36	07400641	Screw (1/8-44X3.4).....	螺絲.....	1
37	07400539	Needle Bar.....	針柱.....	1
38	★	Needle Clamp.....	針錐.....	1
39	07400543	Screw (3/32-56X2.5).....	螺絲.....	5

★請參照附件 1【針距規格表】

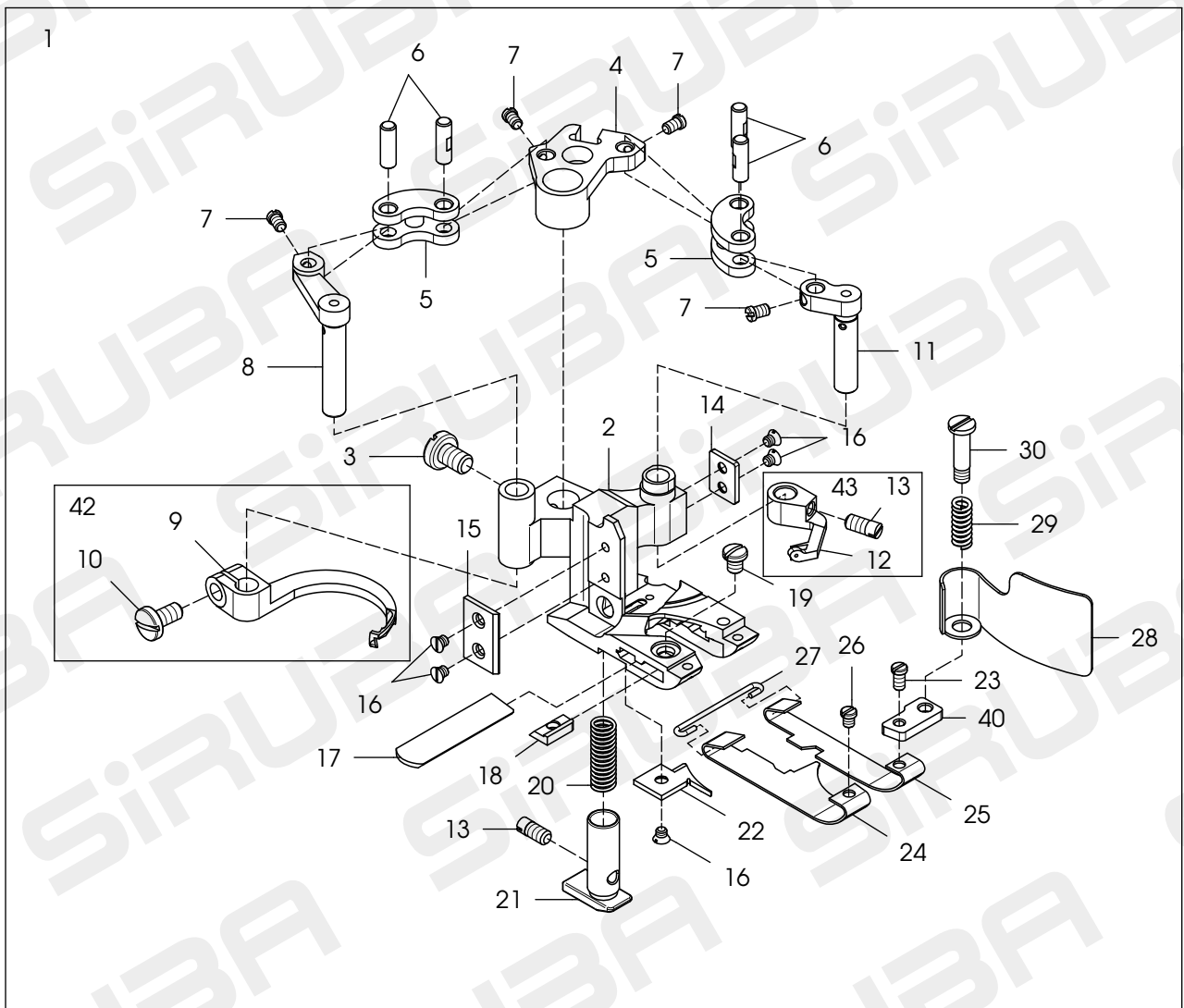
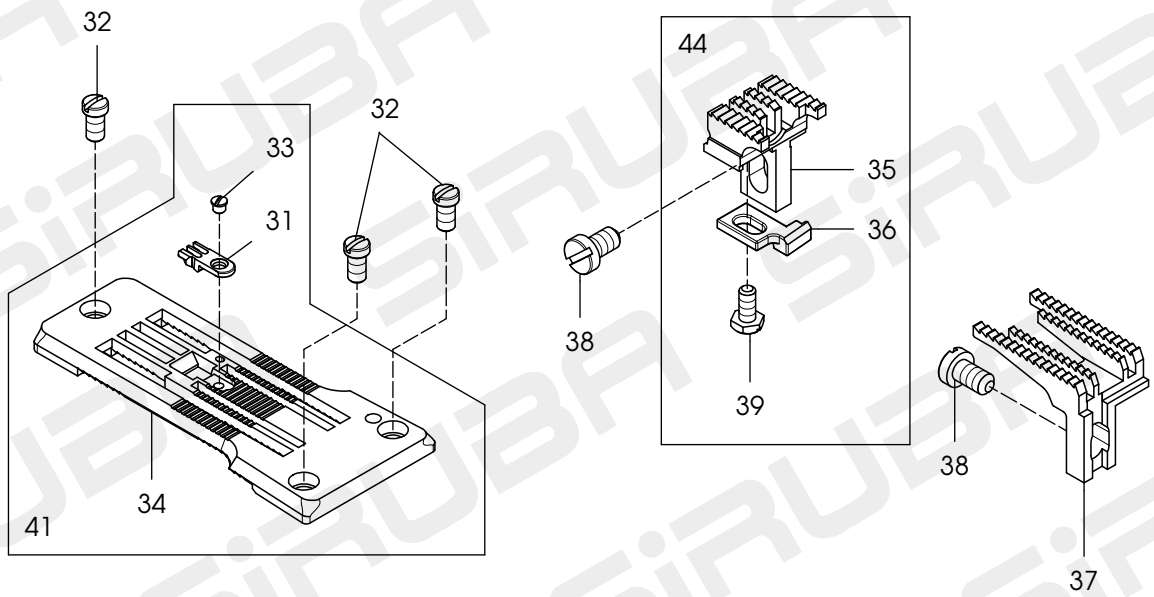


SELECT DEVICE(01-DS)-452.460

選擇配備(01-DS)-潛水衣 24

Ref.	Parts			Amt.
<u>No.</u>	<u>No.</u>	<u>Description</u>	<u>品 名</u>	<u>Req.</u>
40	07400531	Needle Clamp C.Set.....	針鉗組.....	1
41	07400646	Top Cover Thread Hook C.Set.....	上飾線勾針組(長).....	1
42	07400647	Top Cover Thread Carrier C.Set.....	上飾線勾針組(短).....	1
43	07400649	Spacer.....	墊塊.....	1
44	07400650	Screw (3/32-56X4.3).....	螺絲.....	1



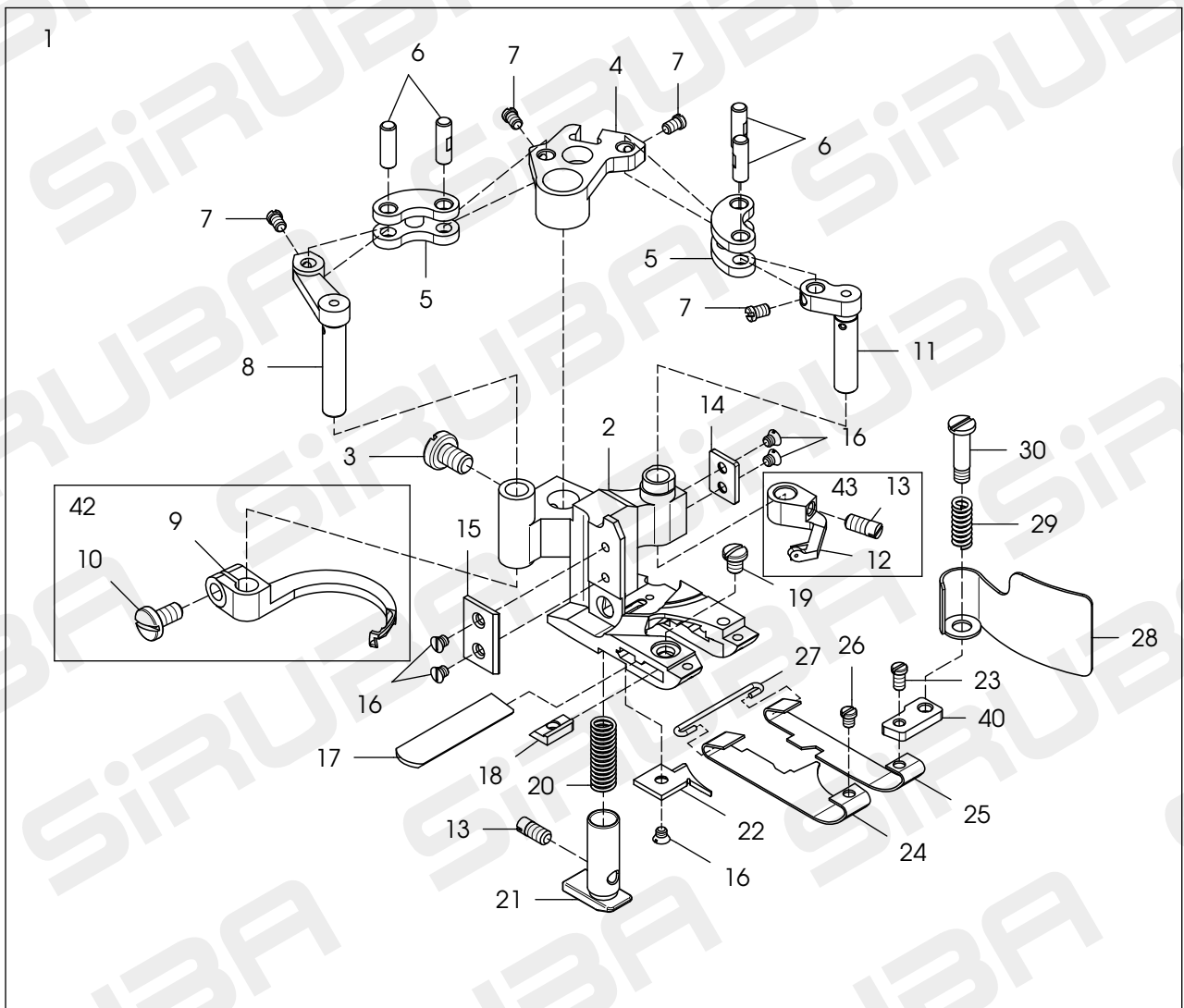
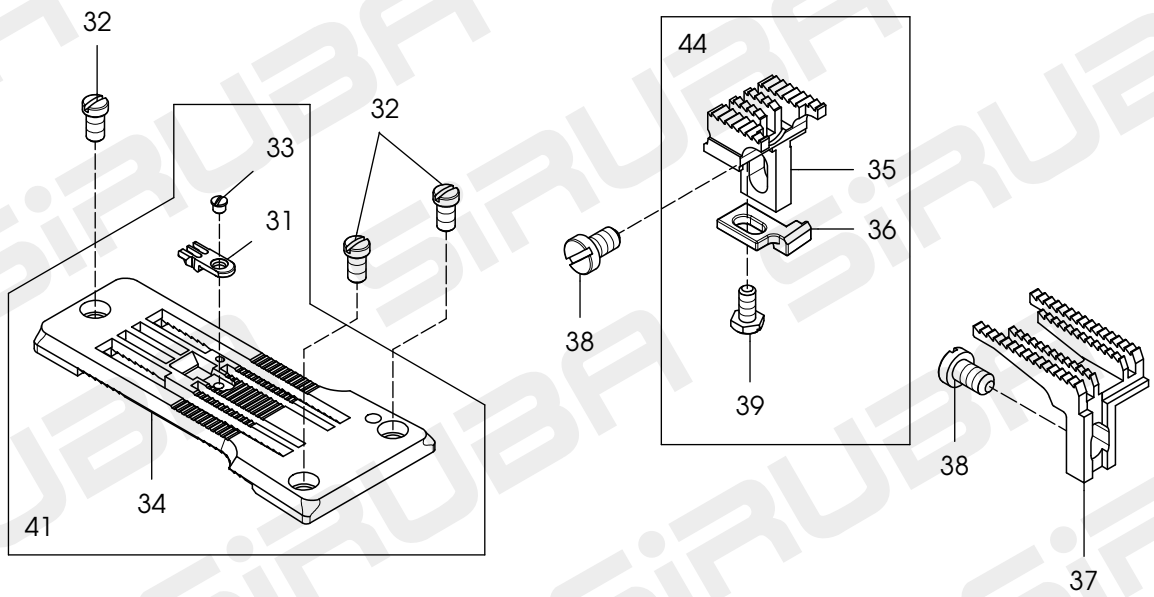


## SELECT DEVICE(02R)

選擇配備(02R)-弧狀車縫 25

Ref. No.	Parts No.	Description	品名	Amt. Req.
1	★ 07402501	Double Side Cut Presser Foot C. Set.....	雙切押具組.....	1
2	★ 07401802	Double Side Cut Presser Foot.....	雙切押腳.....	1
3	07400615	Screw (11/64-40X6.3).....	螺絲.....	1
4	07400616	Carrier/Hook Driving Segment.....	上勾針驅動扇形片.....	1
5	07400617	Carrier/Hook Driving Lever Link.....	上勾針驅動連桿.....	2
6	07400618	Link Pin.....	連桿插銷.....	4
7	07400619	Screw (3/32-56X3.3).....	螺絲.....	4
8	07400620	Thread Hook Driving Lever.....	勾針驅動槓桿.....	1
9	07400621	Top Cover Thread Hook.....	上飾線過線勾.....	1
10	07400622	Screw (9/64-40X6.8).....	螺絲.....	1
11	07400623	Top Cover Thread Carrier Driving Lever...	上飾線托架驅動槓桿.....	1
12	07400624	Top Cover Thread Carrier.....	上飾線托架.....	1
13	07400338	Screw (1/8-44X5).....	螺絲.....	2
14	07400626	Presser Foot Attach Piece (Right).....	押腳連接片(右).....	1
15	07400627	Presser Foot Attach Piece (Left).....	押腳連接片(左).....	1
16	07400628	Screw(3/32-56X1.5).....	螺絲.....	5
17	07400629	Lower Knife.....	下切刀片.....	1
18	07400630	Lower Knife Clamp.....	下切刀夾板.....	1
19	07400631	Screw (1/8-44X3.5).....	螺絲.....	1
20	07400632	Yielding Section Spring.....	押具輔助座彈簧.....	1
21	★ 07402521	Yielding Section.....	押具輔助座.....	1
22	★ 07401822	Presser Foot Tongue.....	導布板.....	1
23	07400650	Screw (3/32-56X4.3).....	螺絲.....	1
24	★ 07401824	Presser Foot Spring Plate (Left).....	押具押板(左).....	1
25	★ 07401825	Presser Foot Spring Plate (Right).....	押具押板(右).....	1
26	07400637	Screw (3/32-56X2.6).....	螺絲.....	2
27	07400638	Spring Plate Holder.....	彈簧片固定座.....	1
28	07401828	Chip Guard.....	切角防護片.....	1
29	07400640	Chip Guard Spring.....	切角防護片彈簧.....	1
30	07400641	Screw (1/8-44X3.4).....	螺絲.....	1
31	★	Stitch Plate Tongue.....	針板舌.....	1
32	07400538	Screw (9/64-40X6.4).....	螺絲.....	3
33	07400547	Screw (3/32-56X2).....	螺絲.....	1
34	★	Stitch Plate (For Single Cutter Only).....	針板(限用單切).....	1
35	★ 07401008	Main Feed Dog (For Single Cutter Only)...	後送齒(限用單切).....	1
36	★ 07401010	Needle Guard(Rear).....	針檔(後).....	1
37	★ 07401007	Differential Feed Dog.....	前送齒.....	1
38	07400302	Screw (11/64-40X7.8).....	螺絲.....	2
39	07401011	Screw (1/8-44X4.8).....	螺絲.....	1

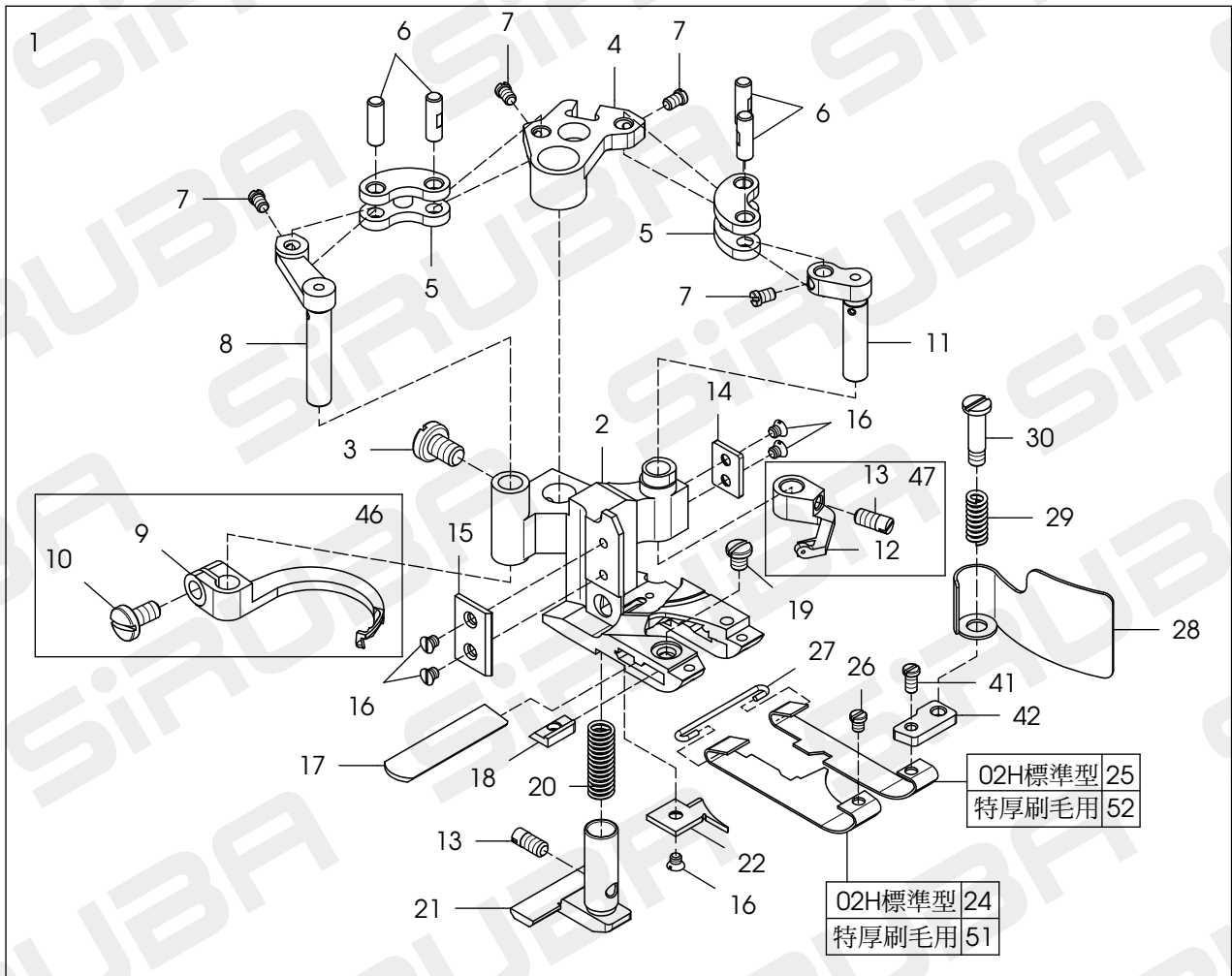
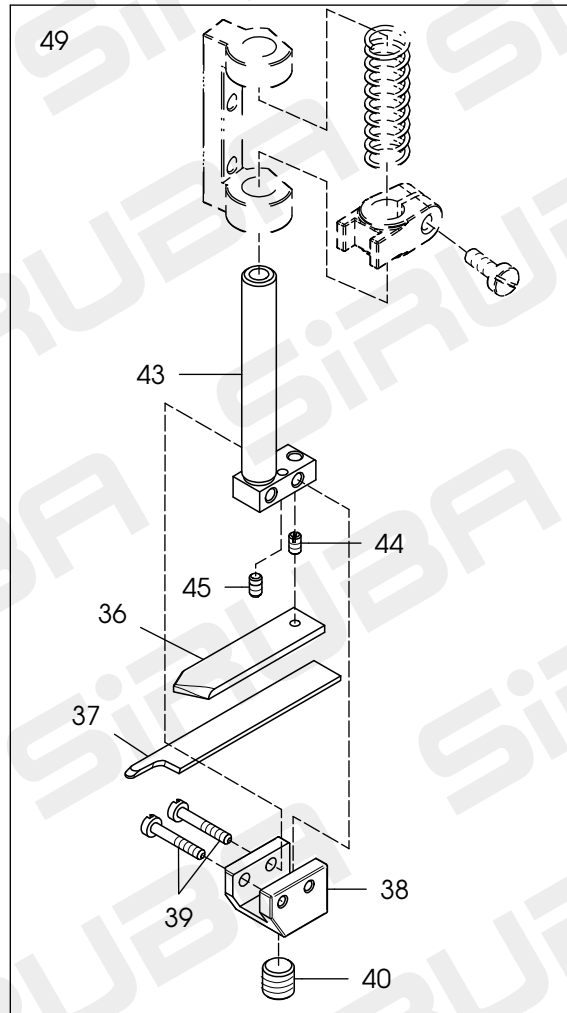
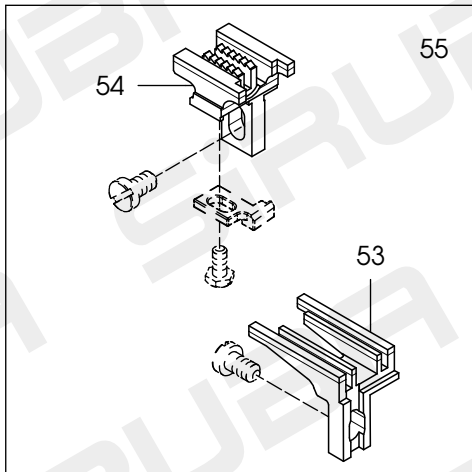
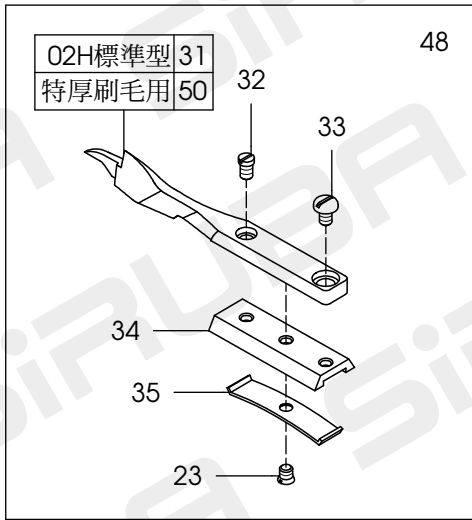
★ 請參照附件 1【針距規格表】



SELECT DEVICE(02R)

選擇配備(02R)-弧狀車縫 25

<u>Ref.</u>	<u>Parts</u>		<u>Amt.</u>
<u>No.</u>	<u>No.</u>	<u>Description</u>	<u>Req.</u>
		<u>品 名</u>	
40	07400649	Spacer.....	墊塊..... 1
41	07400532	Stitch Plate C.Set (For Single Cutter Only).	針板組(限用單切)..... 1
42	07400646	Top Cover Thread Hook C.Set.....	上飾線勾針組(長)..... 1
43	07400647	Top Cover Thread Carrier C.Set.....	上飾線勾針組(短)..... 1
44	07401051	Main Feed Dog C.Set (For Single Cutter Only).	後送齒組(限用單切)..... 1

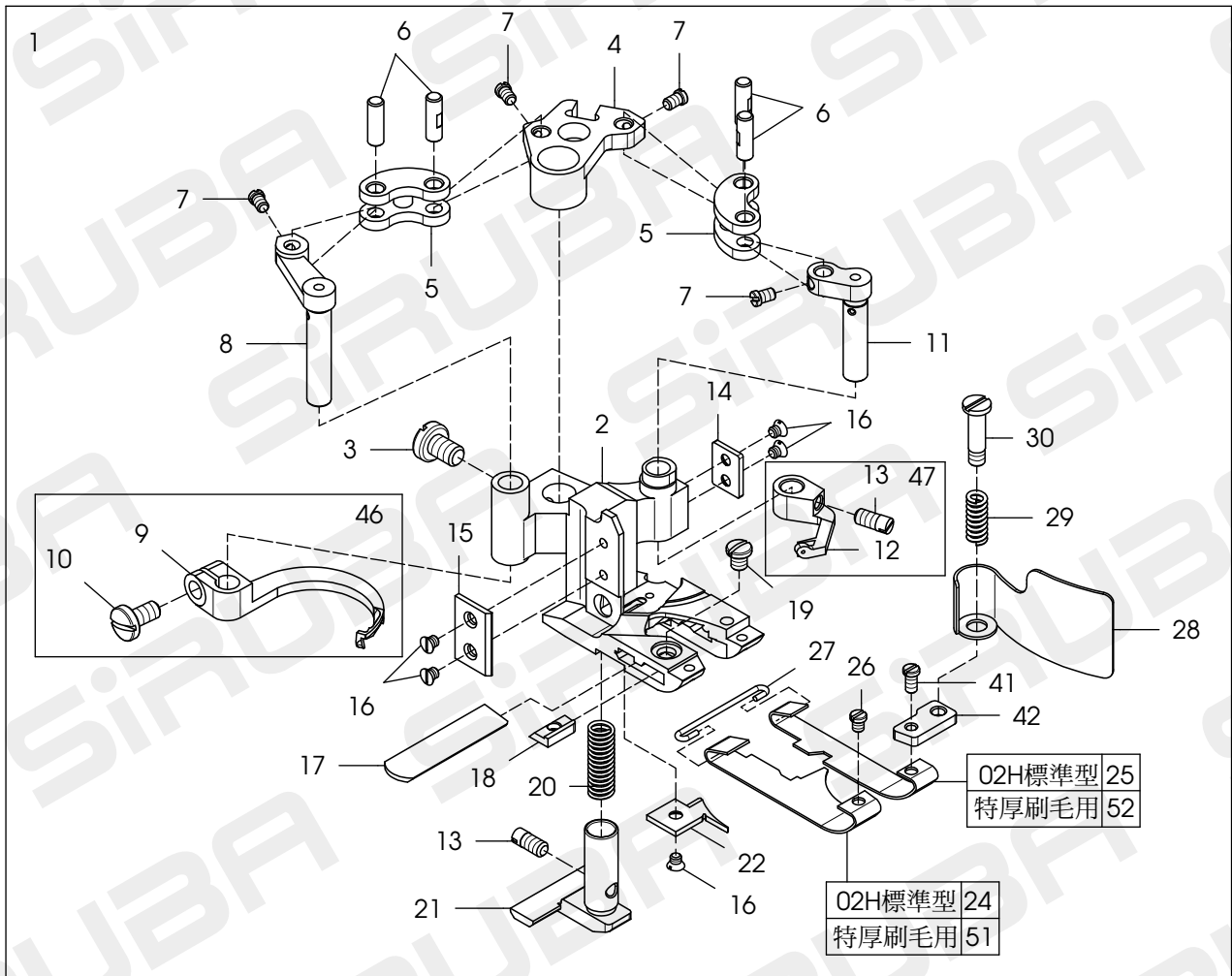
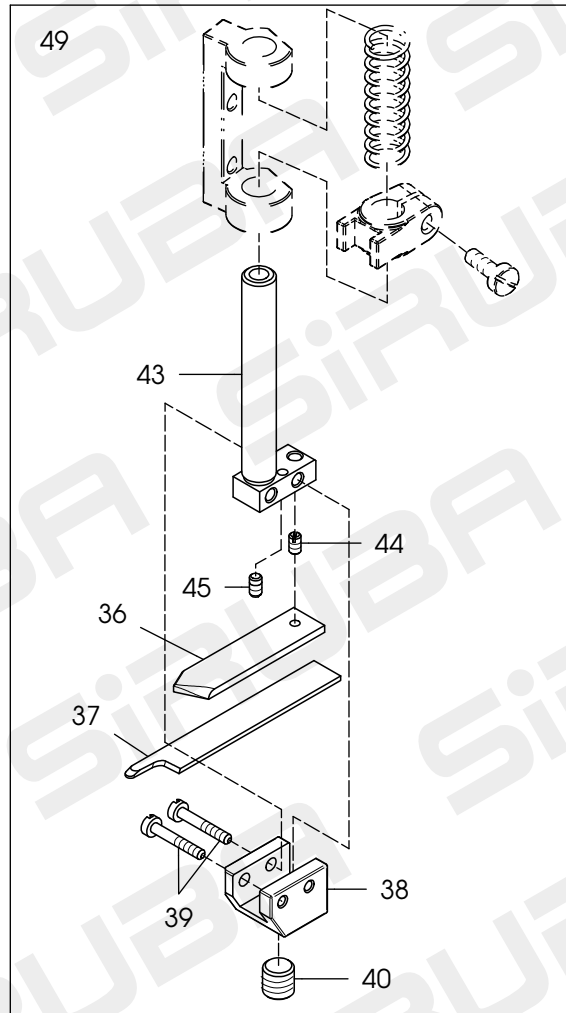
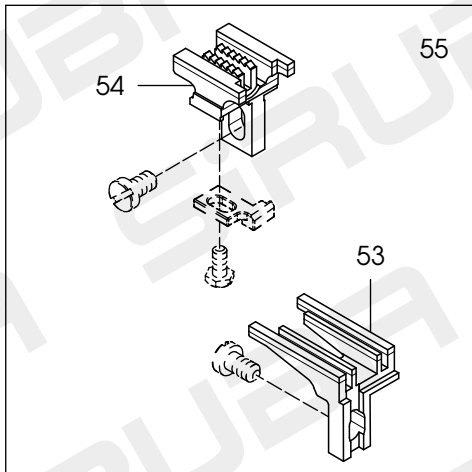
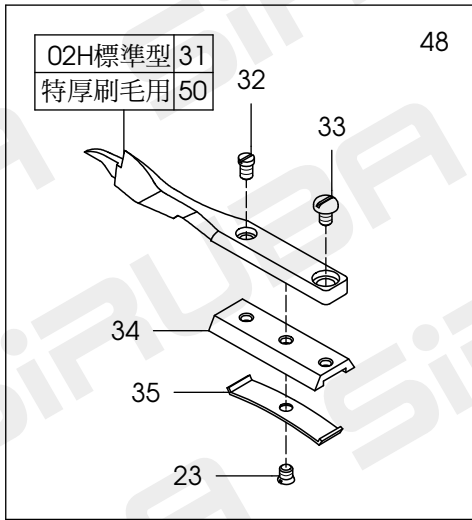


## SELECT DEVICE(02H)

選擇配備(02H)-包縫過骨/特厚刷毛 26

Ref. No.	Parts No.	Description	品 名	Amt. Req.
1	★ 07402601	Double Side Cut Presser Foot C. Set.....	雙切押具組.....	1
2	★ 07402602	Double Side Cut Presser Foot (02H).....	雙切包縫過骨押腳.....	1
3	07400615	Screw (11/64-40X6.3).....	螺絲.....	1
4	07400616	Carrier/Hook Driving Segment.....	上勾針驅動扇形片.....	1
5	07400617	Carrier/Hook Driving Lever Link.....	上勾針驅動連桿.....	2
6	07400618	Link Pin.....	連桿插銷.....	4
7	07400619	Screw (3/32-56X3.3).....	螺絲.....	4
8	07400620	Thread Hook Driving Lever.....	勾針驅動槓桿.....	1
9	07400621	Top Cover Thread Hook.....	上飾線過線勾.....	1
10	07400622	Screw (9/64-40X6.8).....	螺絲.....	1
11	07400623	Top Cover Thread Carrier Driving Lever... 上飾線托架驅動槓桿.....	1	
12	07400624	Top Cover Thread Carrier.....	上飾線托架.....	1
13	07400338	Screw (1/8-44X5).....	螺絲.....	2
14	07400626	Presser Foot Attach Piece (Right).....	押腳連接片(右).....	1
15	07400627	Presser Foot Attach Piece (Left).....	押腳連接片(左).....	1
16	07400628	Screw(3/32-56X1.5).....	螺絲.....	5
17	07402617	Lower Knife.....	下切刀片.....	1
18	07400630	Lower Knife Clamp.....	下切刀夾板.....	1
19	07400631	Screw (1/8-44X3.5).....	螺絲.....	1
20	07400632	Yielding Section Spring.....	押具輔助座彈簧.....	1
21	★ 07401821	Yielding Section.....	押具輔助座.....	1
22	★ 07401822	Presser Foot Tongue.....	導布板.....	1
23	07401823	Screw (3/32-56X2).....	螺絲.....	1
24	★ 07401824	Presser Foot Spring Plate (Left).....	押具押板(左).....	1
25	★ 07401825	Presser Foot Spring Plate (Right).....	押具押板(右).....	1
26	07400637	Screw (3/32-56X2.6).....	螺絲.....	2
27	07400638	Spring Plate Holder.....	彈簧片固定座.....	1
28	07401828	Chip Guard.....	切角防護片.....	1
29	07400640	Chip Guard Spring.....	切角防護片彈簧.....	1
30	07400641	Screw (1/8-44X3.4).....	螺絲.....	1
31	★ 07402631	Lap Former Guide.....	導布器.....	1
32	07401832	Screw (3/32-56X3.5).....	螺絲.....	1
33	07401833	Screw (3/32-56X3.9).....	螺絲.....	1
34	07401834	Lap Former Guide Support.....	導布器座.....	1
35	07401835	Lap Former Guide Spring.....	導布器彈簧片.....	1
36	07402636	Knife Support.....	上切刀支架.....	1
37	★ 07402637	Upper Knife.....	上刀片.....	1
38	07402638	Knife Holder.....	上刀片固定座.....	1
39	07402639	Screw (3/32-56X8).....	螺絲.....	2

★ 請參照附件 1【針距規格表】

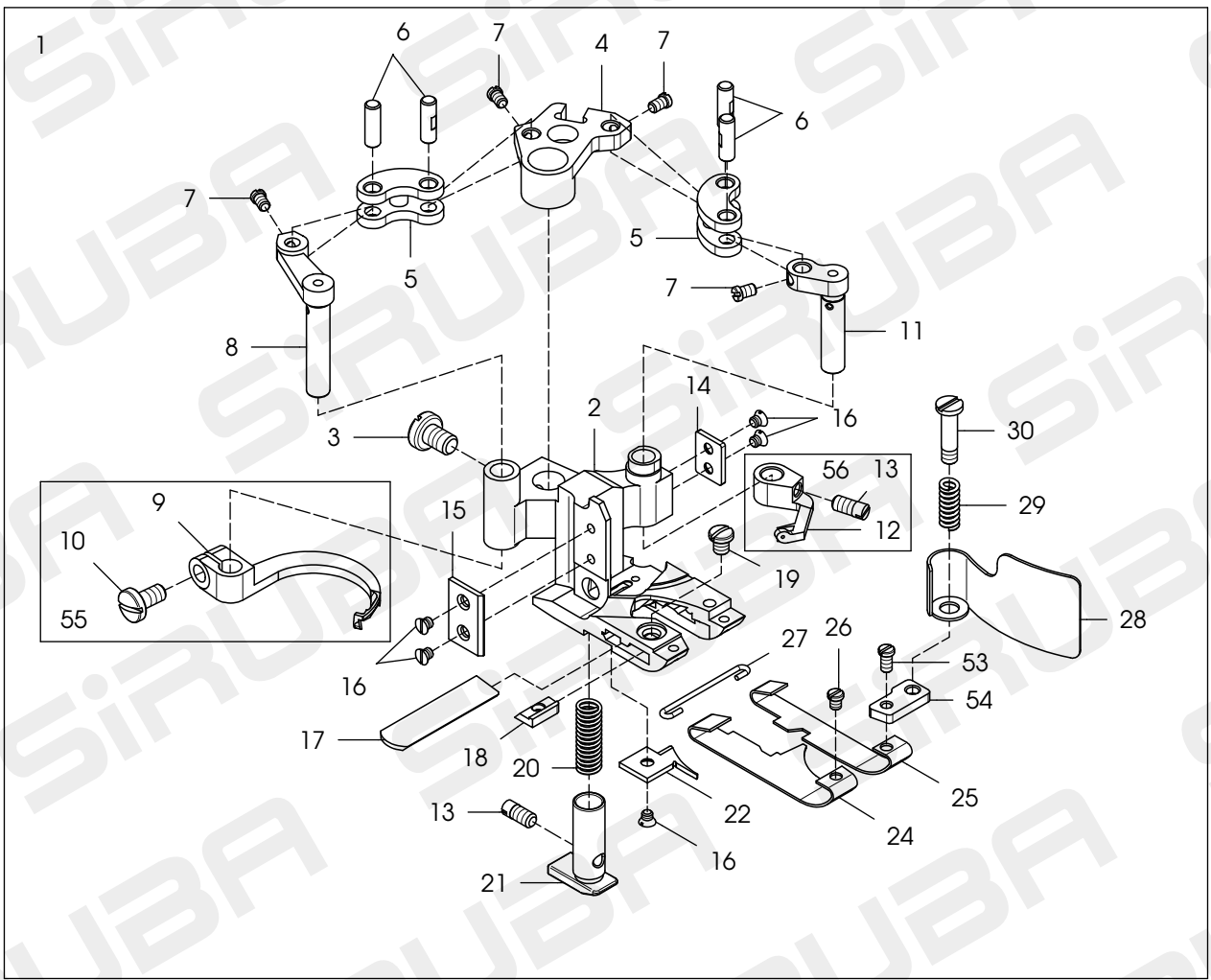
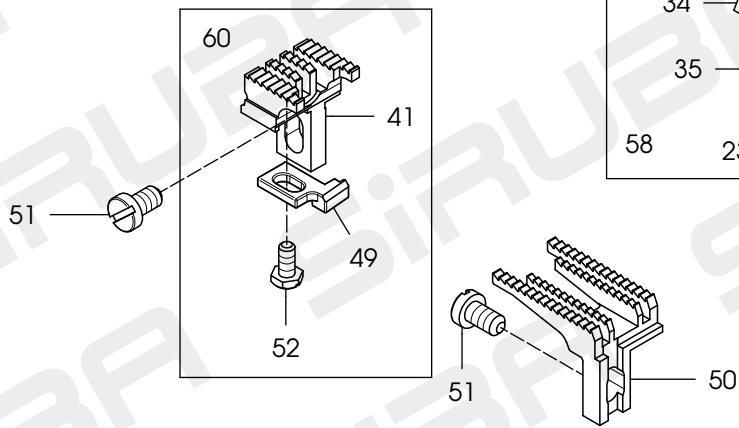
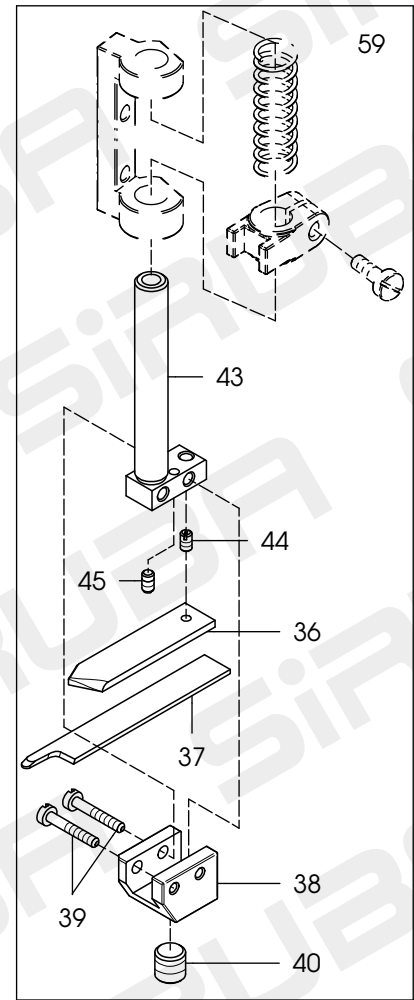
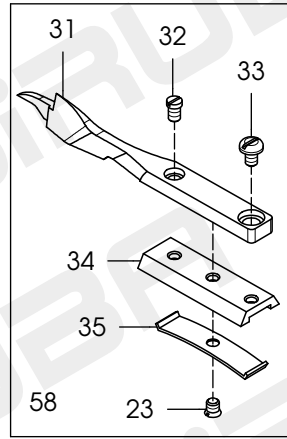
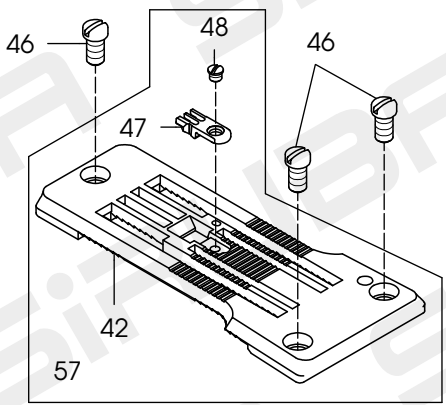


## SELECT DEVICE(02H)

選擇配備(02H)-包縫過骨/特厚刷毛 26

Ref. No.	Parts No.	Description	品名	Amt. Req.
40	07400747	Screw (1/4-40X6).....	螺絲.....	1
41	07400650	Screw (3/32-56X4.3).....	螺絲.....	1
42	07400649	Spacer.....	墊塊.....	1
43	07400740	Knife Holder Shank.....	上切刀固定座柄.....	1
44	07400743	Screw (3/32-56X1.2).....	螺絲.....	1
45	07400741	Screw (3/32-56X3.8).....	螺絲.....	1
46	07400646	Top Cover Thread Hook C.Set.....	上飾線勾針組(長).....	1
47	07400647	Top Cover Thread Carrier C.Set.....	上飾線勾針組(短).....	1
48	07402648	Lap Former Guide C.Set.....	導布組.....	1
49	07402649	Knife Holder C.Set.....	寬版上刀片固定座組.....	1
50	07402650	Lap Former Guide.....	導布器(特厚刷毛用).....	1
51	★07402651	Presser Foot Spring Plate (Left).....	押具押板(左)(特厚刷毛用).1	
52	★07402652	Presser Foot Spring Plate (Right).....	押具押板(右)(特厚刷毛用).1	
53	07402901	Differential Feed Dog With Rubber (PU)...	優力膠前勾齒(特厚刷毛用).....	1
54	07402903	Main Feed Dog With Rubber (PU) For Double Cutter....	雙切優力膠後勾齒(特厚刷毛用)..1	
55	07402905	Feed Dog With Rubber (PU) For Double Cutter C.Set....	雙切膠齒組(特厚刷毛用).....	1



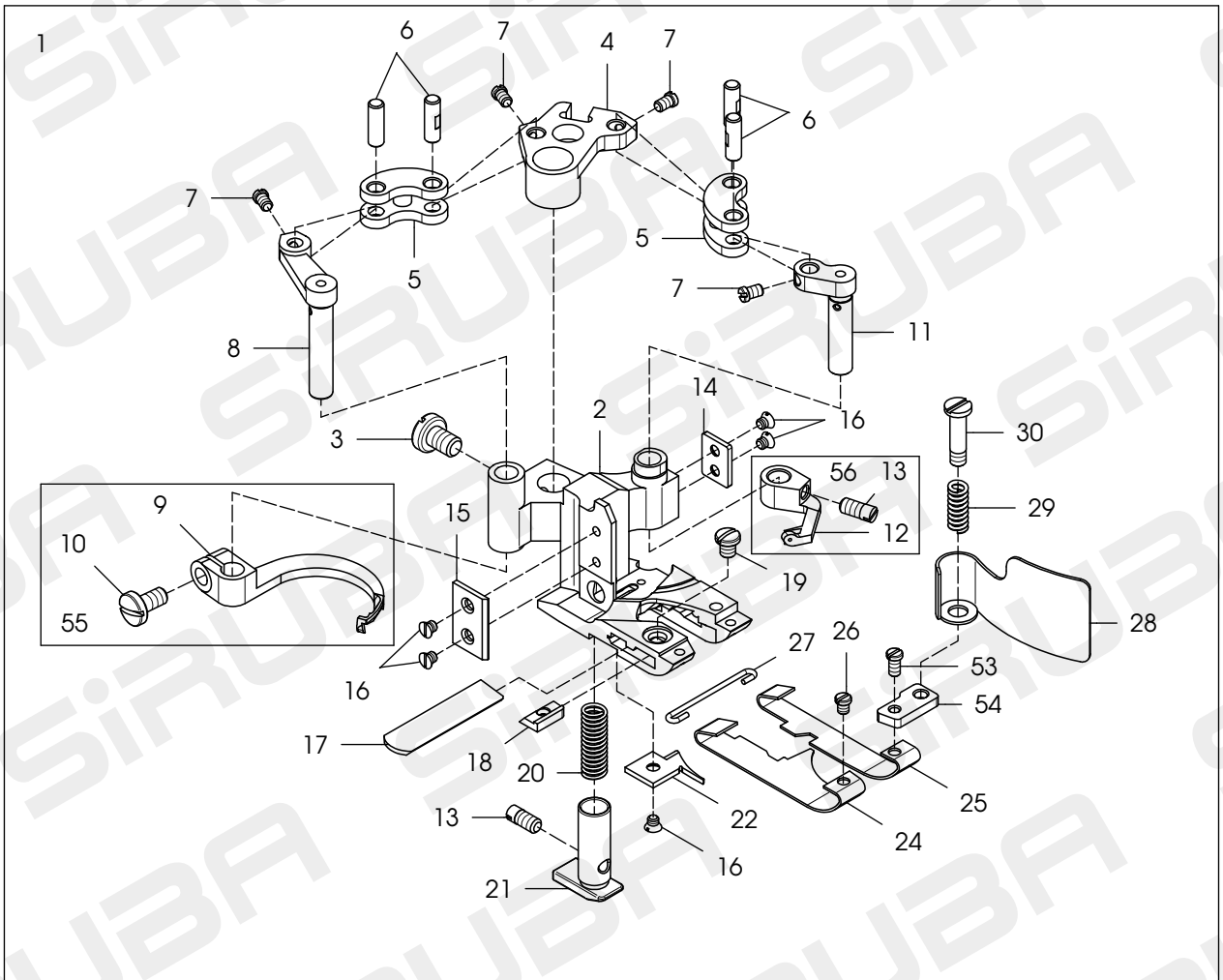
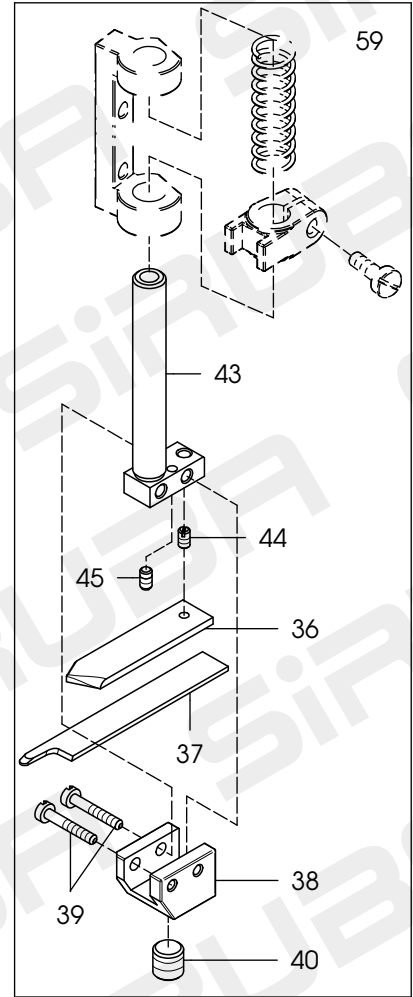
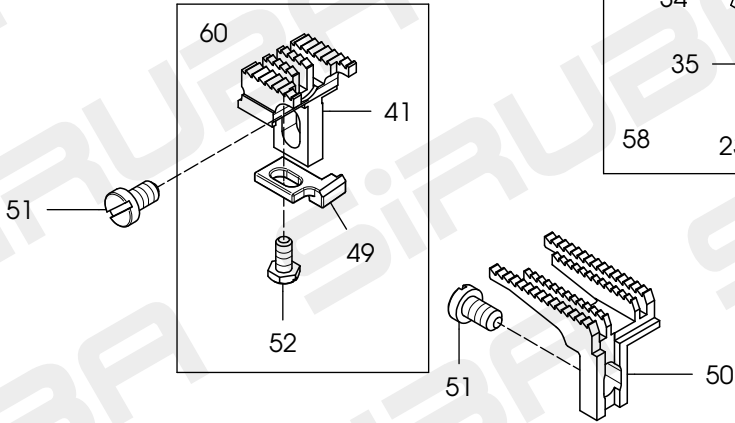
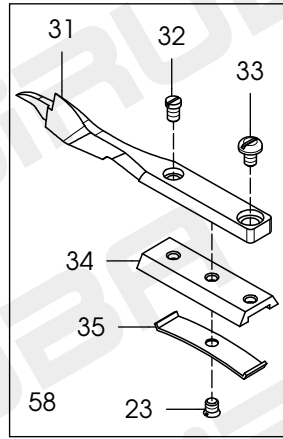
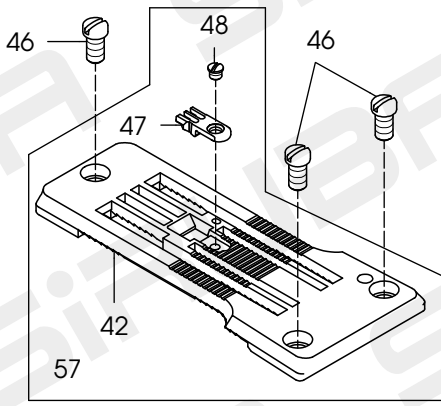


## SELECT DEVICE(02RH)

## 選擇配備(02RH)-弧狀車縫包縫過骨 27

Ref. No.	Parts No.	Description	品 名	Amt. Req.
1	★ 07402701	Double Side Cut Presser Foot C. Set.....	雙切押具組.....	1
2	★ 07402602	Double Side Cut Presser Foot (02H).....	雙切包縫過骨押腳.....	1
3	07400615	Screw (11/64-40X6.3).....	螺絲.....	1
4	07400616	Carrier/Hook Driving Segment.....	上勾針驅動扇形片.....	1
5	07400617	Carrier/Hook Driving Lever Link.....	上勾針驅動連桿.....	2
6	07400618	Link Pin.....	連桿插銷.....	4
7	07400619	Screw (3/32-56X3.3).....	螺絲.....	4
8	07400620	Thread Hook Driving Lever.....	勾針驅動槓桿.....	1
9	07400621	Top Cover Thread Hook.....	上飾線過線勾.....	1
10	07400622	Screw (9/64-40X6.8).....	螺絲.....	1
11	07400623	Top Cover Thread Carrier Driving Lever... 上飾線托架驅動槓桿.....		1
12	07400624	Top Cover Thread Carrier.....	上飾線托架.....	1
13	07400338	Screw (1/8-44X5).....	螺絲.....	2
14	07400626	Presser Foot Attach Piece (Right).....	押腳連接片(右).....	1
15	07400627	Presser Foot Attach Piece (Left).....	押腳連接片(左).....	1
16	07400628	Screw(3/32-56X1.5).....	螺絲.....	5
17	07402617	Lower Knife.....	下切刀片.....	1
18	07400630	Lower Knife Clamp.....	下切刀夾板.....	1
19	07400631	Screw (1/8-44X3.5).....	螺絲.....	1
20	07400632	Yielding Section Spring.....	押具輔助座彈簧.....	1
21	★ 07402521	Yielding Section.....	押具輔助座.....	1
22	★ 07401822	Presser Foot Tongue.....	導布板.....	1
23	07401823	Screw (3/32-56X2).....	螺絲.....	1
24	★ 07401824	Presser Foot Spring Plate (Left).....	押具押板(左).....	1
25	★ 07401825	Presser Foot Spring Plate (Right).....	押具押板(右).....	1
26	07400637	Screw (3/32-56X2.6).....	螺絲.....	2
27	07400638	Spring Plate Holder.....	彈簧片固定座.....	1
28	07400639	Chip Guard.....	切角防護片.....	1
29	07400640	Chip Guard Spring.....	切角防護片彈簧.....	1
30	07400641	Screw (1/8-44X3.4).....	螺絲.....	1
31	★ 07402631	Lap Former Guide.....	導布器.....	1
32	07401832	Screw (3/32-56X3.5).....	螺絲.....	1
33	07401833	Screw (3/32-56X3.9).....	螺絲.....	1
34	07401834	Lap Former Guide Support.....	導布器座.....	1
35	07401835	Lap Former Guide Spring.....	導布器彈簧片.....	1
36	07402636	Knife Support.....	上切刀支架.....	1
37	★ 07402637	Upper Knife.....	上刀片.....	1
38	07402638	Knife Holder.....	上刀片固定座.....	1
39	07402639	Screw (3/32-56X8).....	螺絲.....	2

★ 請參照附件 1【針距規格表】

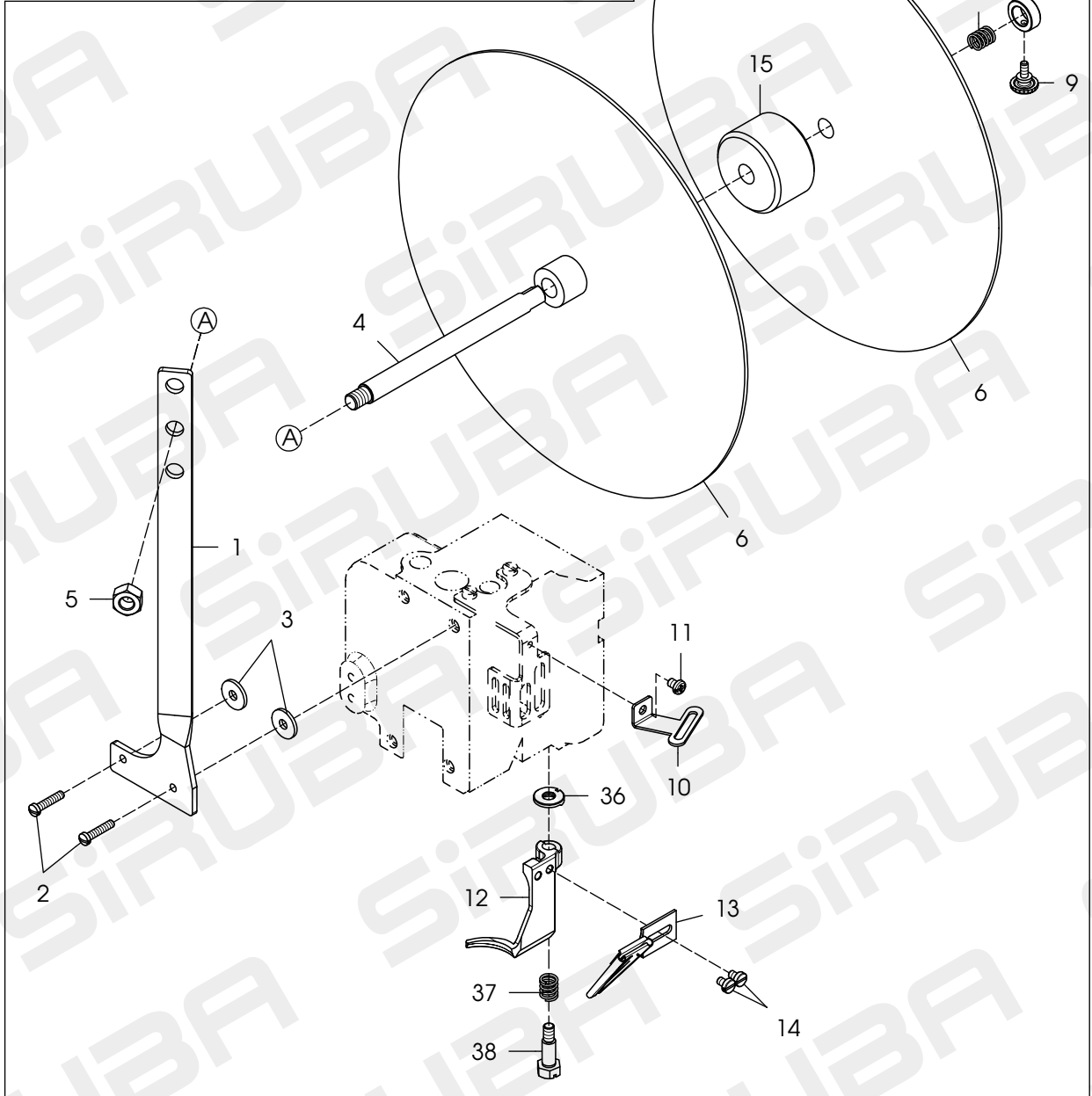
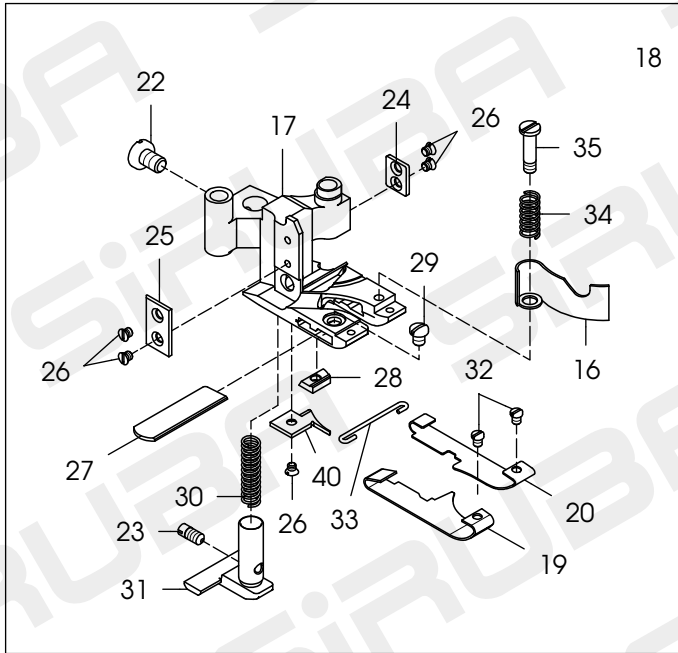


## SELECT DEVICE(02RH)

## 選擇配備(02RH)-弧狀車縫包縫過骨 27

Ref. No.	Parts No.	Description	品 名	Amt. Req.
40	07400747	Screw (1/4-40X6).....	螺絲.....	1
41	★ 07401008	Main Feed Dog (For Single Cutter Only)....	後送齒(限用單切).....	1
42	★	Stitch Plate (For Single Cutter Only).....	針板(限用單切).....	1
43	07400740	Knife Holder Shank.....	上切刀固定座柄.....	1
44	07400743	Screw (3/32-56X1.2).....	螺絲.....	1
45	07400741	Screw (3/32-56X3.8).....	螺絲.....	1
46	07400538	Screw (9/64-40X6.4).....	螺絲.....	3
47	★	Stitch Plate Tongue.....	針板舌.....	1
48	07400547	Screw (3/32-56X2).....	螺絲.....	1
49	★ 07401010	Needle Guard(Rear).....	針檔(後).....	1
50	★ 07401007	Differential Feed Dog.....	前送齒.....	1
51	07400302	Screw (11/64-40X7.8).....	螺絲.....	2
52	07401011	Screw (1/8-44X4.8).....	螺絲.....	1
53	07400650	Screw (3/32-56X4.3).....	螺絲.....	1
54	07400649	Spacer.....	墊塊.....	1
55	07400646	Top Cover Thread Hook C.Set.....	上飾線勾針組(長).....	1
56	07400647	Top Cover Thread Carrier C.Set.....	上飾線勾針組(短).....	1
57	07401852	Stitch Plate C.Set (For Single Cutter Only).	針板組(限用單切).....	1
58	07402648	Lap Former Guide C.Set.....	導布組.....	1
59	07402649	Knife Holder C.Set.....	寬版上刀片固定座組.....	1
60	07402544	Main Feed Dog C.Set (For Single Cutter Only).	後送齒組(限用單切).....	1

★ 請參照附件 1【針距規格表】

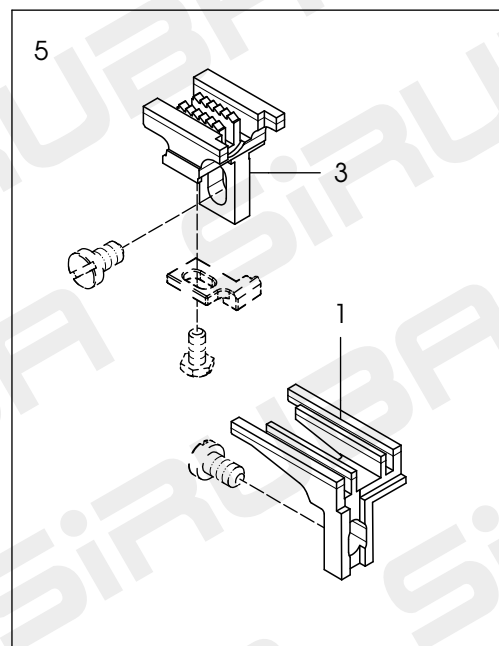
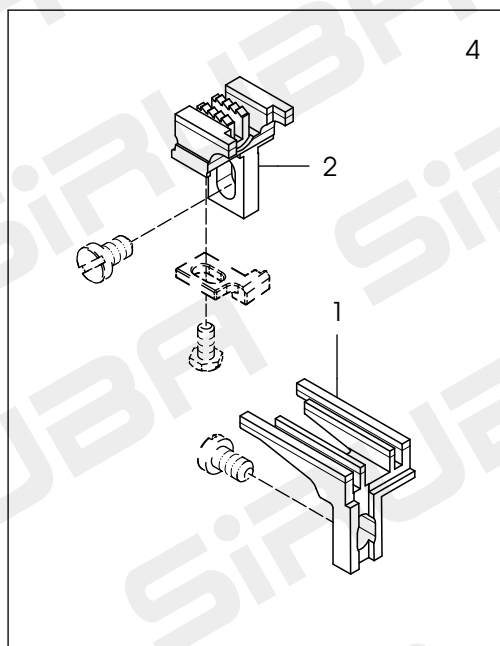


## SELECT DEVICE(02-T2)

選擇配備(02-T2)-貼條 28

Ref.	Parts			Amt.
No.	No.	Description	品 名	Req.
1	07402201	Tape Reel Support.....	貼條架.....	1
2	07402202	Screw(9/64"-40 x 17).....	螺絲.....	2
3	07402203	Rubber Cushion.....	橡膠墊片.....	2
4	07402204	Tape Reel Shaft.....	貼條主軸.....	1
5	07402205	Nut.....	螺帽.....	1
6	07402206	Tape Reel.....	貼條盤.....	2
7	07402207	Tape Reel Spring.....	彈簧.....	1
8	07402208	Collar( 10 x16 x 6mm).....	軸環.....	1
9	07402209	Screw(9/64"-40 x 7.9).....	螺絲.....	1
10	07402210	Tape Guide.....	織帶導引支架.....	1
11	07402211	Screw(M4-0.7 x 5).....	螺絲.....	1
12	07402212	Frame Chip Guard.....	導布蓋.....	1
13	07402213	Binder.....	包邊器(喇叭).....	1
14	07402214	Screw(9/64"-40 x 5).....	螺絲.....	2
15	07402215	Cushion Block.....	墊塊.....	1
16	07402216	Chip Guard.....	切角防護片.....	1
17	★ 07402817	Double Side Cut Presser Foot (02-T2).....	雙切貼條押腳.....	1
18	07402818	Presser Foot C. Set .....	押具組.....	1
19	★ 07401824	Presser Foot Spring Plate (Left).....	押具押板(左).....	1
20	★ 07401825	Presser Foot Spring Plate (Right).....	押具押板(右).....	1
21	07402821	Tape Reel C.Set.....	貼條組.....	1
22	07400615	Screw (11/64-40X6.3).....	螺絲.....	1
23	07400338	Screw (1/8-44X5).....	螺絲.....	1
24	07400626	Presser Foot Attach Piece (Right).....	押腳連接片(右).....	1
25	07400627	Presser Foot Attach Piece (Left).....	押腳連接片(左).....	1
26	07400628	Screw(3/32-56X1.5).....	螺絲.....	5
27	07400629	Lower Knife.....	下切刀片.....	1
28	07400630	Lower Knife Clamp.....	下切刀夾板.....	1
29	07400631	Screw (1/8-44X3.5).....	螺絲.....	1
30	07400632	Yielding Section Spring.....	押具輔助座彈簧.....	1
31	★ 07401821	Yielding Section.....	押具輔助座.....	1
32	07400637	Screw (3/32-56X2.6).....	螺絲.....	2
33	07400638	Spring Plate Holder.....	彈簧片固定座.....	1
34	07400640	Chip Guard Spring.....	切角防護片彈簧.....	1
35	07400641	Screw (1/8-44X3.4).....	螺絲.....	1
36	07400144	Frame Chip Guard Washer.....	導布蓋固定墊片.....	1
37	07400146	Frame Chip Guard Spring.....	導布蓋彈簧.....	1
38	07400147	Screw (M5-0.8X8.5).....	螺絲.....	1
39	07402239	Tape Reel Support C.Set.....	貼條組.....	1
40	★ 07401822	Presser Foot Tongue.....	導布板.....	1

★ 請參照附件 1【針距規格表】



#### 特殊勾齒使用時機

1. 為避免金屬勾齒造成布料上之齒痕而選用。
2. 為避免金屬勾齒造成薄料布料損傷、破洞之狀況而選用。

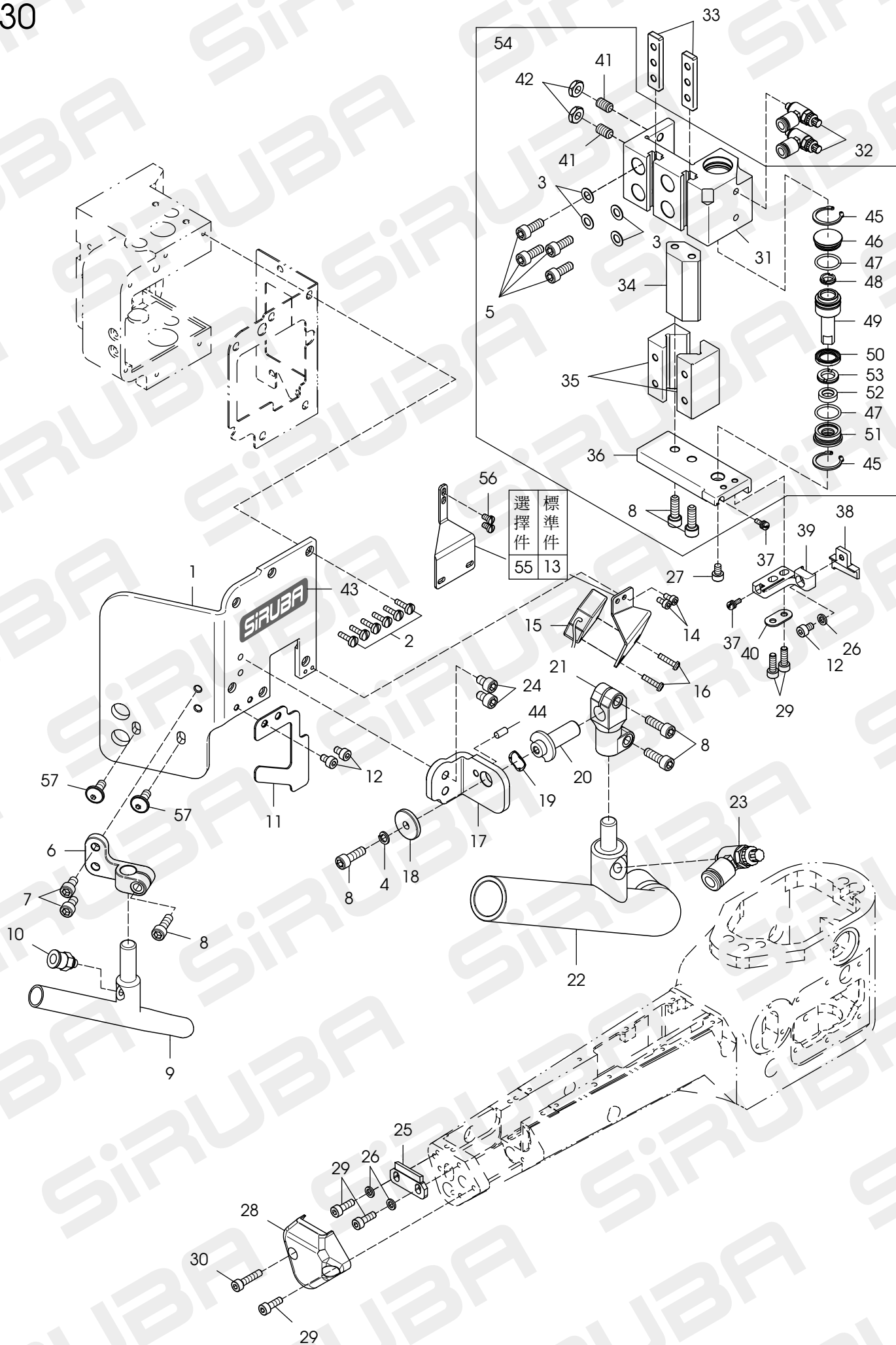
SELECT DEVICE(FEED DOG)

特殊勾齒(膠齒)

29

<u>Ref.</u>	<u>Parts</u>			<u>Amt.</u>
<u>No.</u>	<u>No.</u>	<u>Description</u>	<u>品 名</u>	<u>Req.</u>
1	07402901	Differential Feed Dog With Rubber (PU)...	優力膠前勾齒.....	2
2	07402902	Main Feed Dog With Rubber (PU) For Single Cutter.....	單切優力膠後勾齒.....	1
3	07402903	Main Feed Dog With Rubber (PU) For Double Cutter....	雙切優力膠後勾齒.....	1
4	07402904	Feed Dog With Rubber (PU) For Single Cutter C.Set.....	單切膠齒組.....	1
5	07402905	Feed Dog With Rubber (PU) For Double Cutter C.Set....	雙切膠齒組.....	1

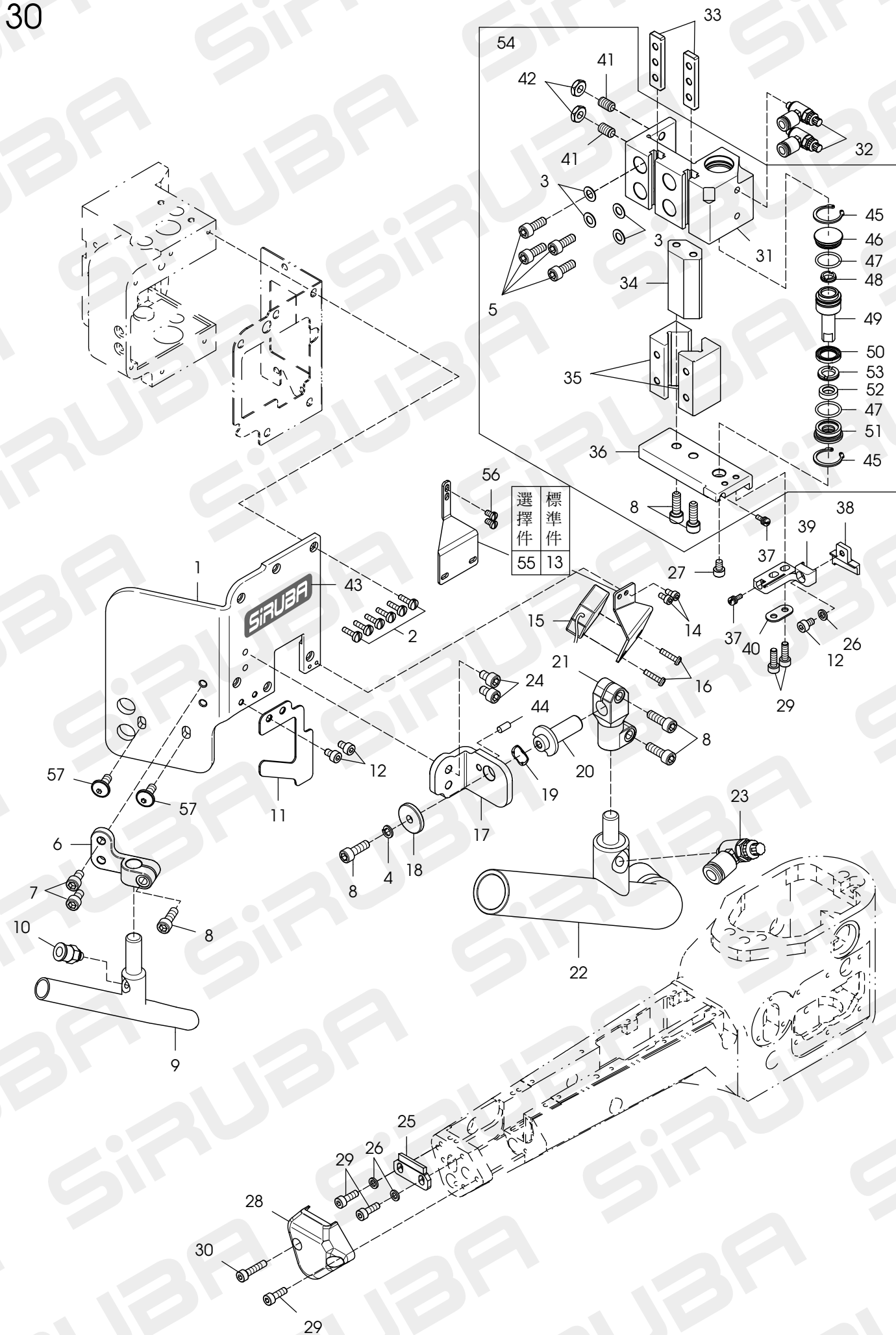




## SELECT DEVICE(AK)

選擇配備(AK)-自動切線 30

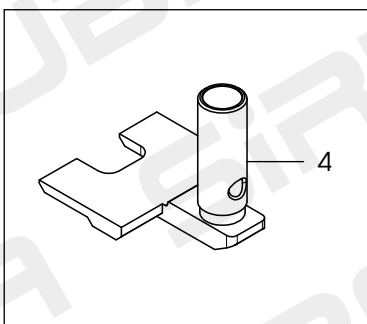
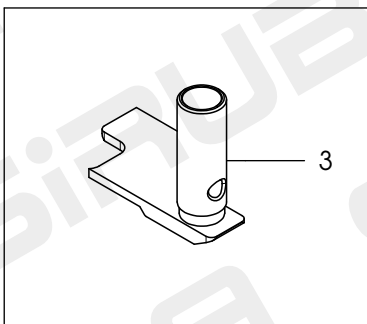
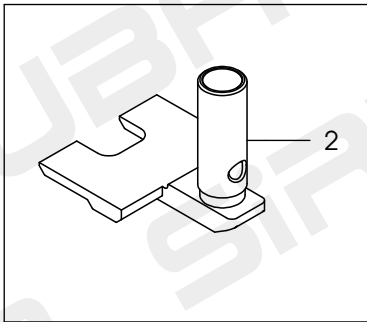
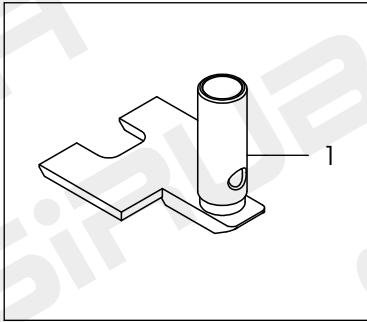
Ref. No.	Parts No.	Description	品 名	Amt. Req.
1	07403001	Sewing Head Cover(Left).....	車頭蓋(左).....	1
2	07400107	Screw (9/64-40X10.8) .....	螺絲(一字).....	6
3	07401547	Washer.....	墊片(有加強..).....	4
4	07401548	Spring Washer.....	彈簧防振墊片.....	1
5	07401537	Screw(M5-0.8X14).....	螺絲(內六角).....	4
6	07403006	Connecting Rod.....	連桿.....	1
7	07403007	Screw(M5-0.8X10).....	螺絲(內六角).....	2
8	07401534	Screw(M5-0.8X16).....	螺絲(內六角).....	6
9	07403009	Clear Pipe.....	吸屑管.....	1
10	07403010	Speed Connector.....	調速接頭.....	1
11	07403011	Safety Plate.....	護目鏡片.....	1
12	07403012	Screw(M4-0.7X6).....	螺絲(內六角).....	3
13	07403013	Switches Holder.....	電眼架(側面).....	1
14	07403014	Screw(M3-0.5X6).....	螺絲(內六角).....	2
15	07403015	Photoelectric Switches.....	光電感應器.....	1
16	07403016	Screw(M3-0.5X12).....	螺絲(雙一字).....	2
17	07403017	Bracket.....	托架.....	1
18	07401531	Washer.....	墊片.....	1
19	07401532	Wave Washer.....	波狀墊片.....	1
20	07401536	Connecting Rod Pin.....	連桿插銷.....	1
21	07401533	Connecting Rod.....	連桿.....	1
22	07401527A	Clear Pipe.....	吸屑管.....	1
23	07401538A	Speed Connector.....	調速接頭(B 式).....	1
24	07403024	Screw(M5-0.8X8).....	螺絲(內六角).....	2
25	07403025	Lower Knife.....	下切刀.....	1
26	07403026	Washer.....	墊片.....	3
27	07403027	Screw(M4-0.7X10).....	螺絲(內六角).....	1
28	07403028	Cover.....	護罩.....	1
29	07403029	Screw (M4-0.7X12).....	螺絲(內六角).....	5
30	07403030	Screw (M4-0.7X18).....	螺絲(內六角).....	1
31	07403031	Cylinder.....	氣壓缸.....	1
32	07403032	Speed Connector.....	調速接頭(A 式).....	2
33	07403033	Oblong Washer.....	長形墊片.....	2
34	07403034	Cylinder Connecting Rod.....	氣缸連桿.....	1
35	07403035	Connecting Rod Holder.....	連桿支座.....	2
36	07403036	Cylinder Bracket.....	氣缸架.....	1
37	07403037	Screw (M2.6-0.45X6).....	螺絲(一字).....	2
38	07403038	Upper Knife.....	上切刀.....	1
39	07403039	Upper Knife Holder.....	上切刀固定座.....	1
40	07403040	Oval Washer.....	橢圓墊片.....	1



## SELECT DEVICE(AK)

選擇配備(AK)-自動切線 30

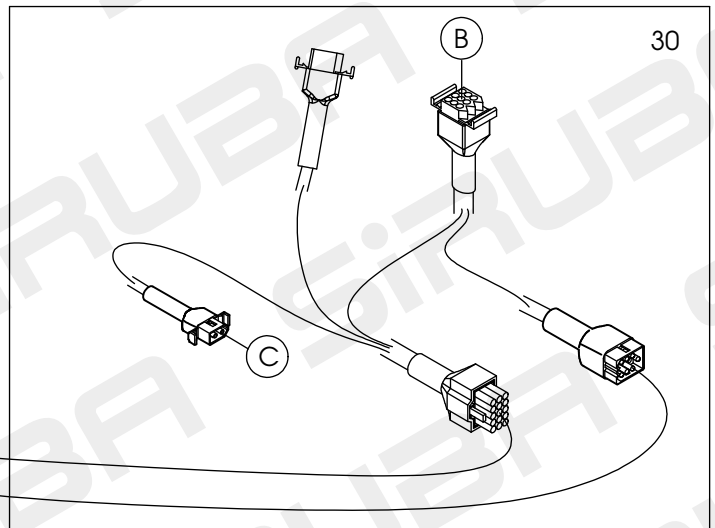
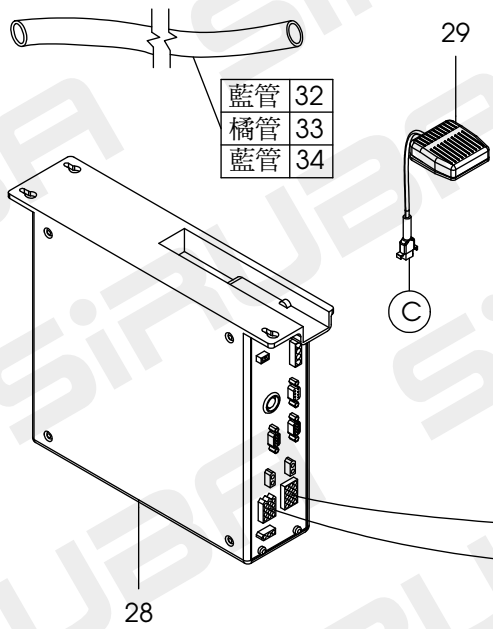
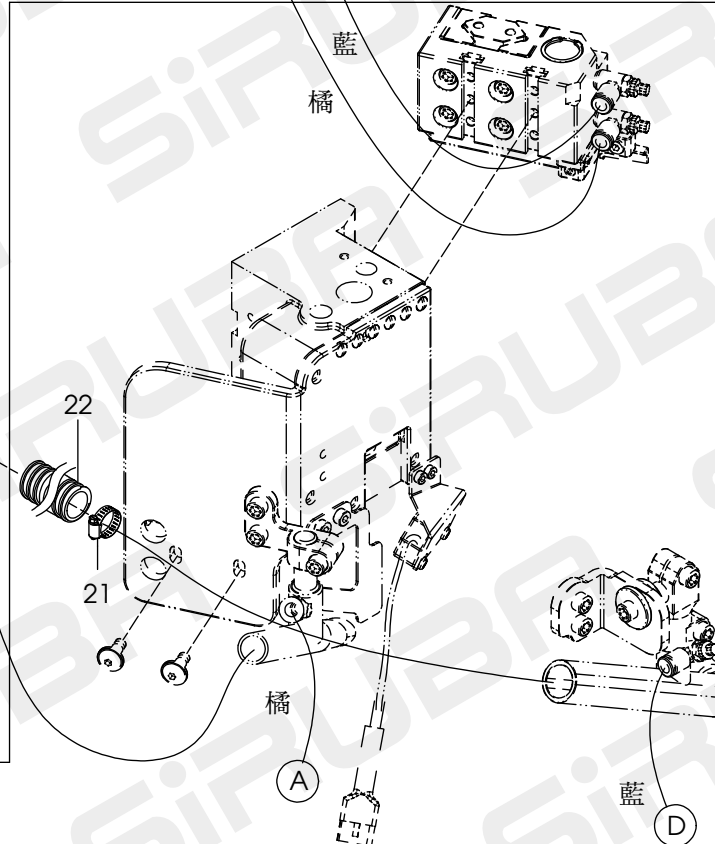
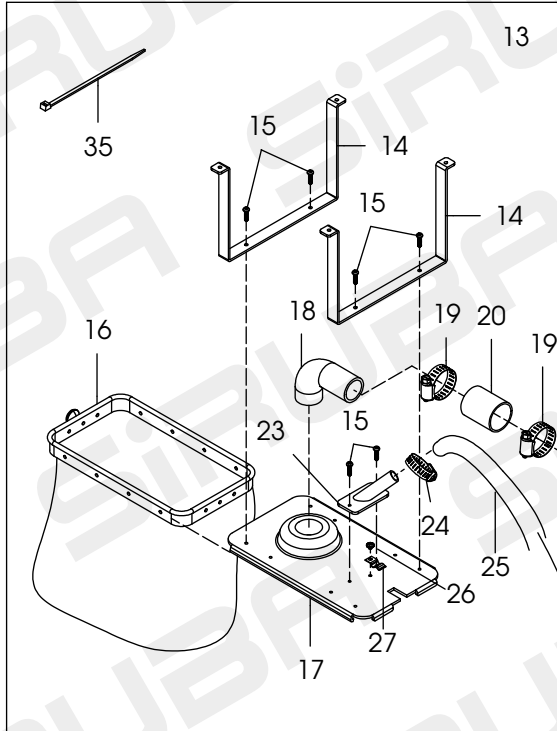
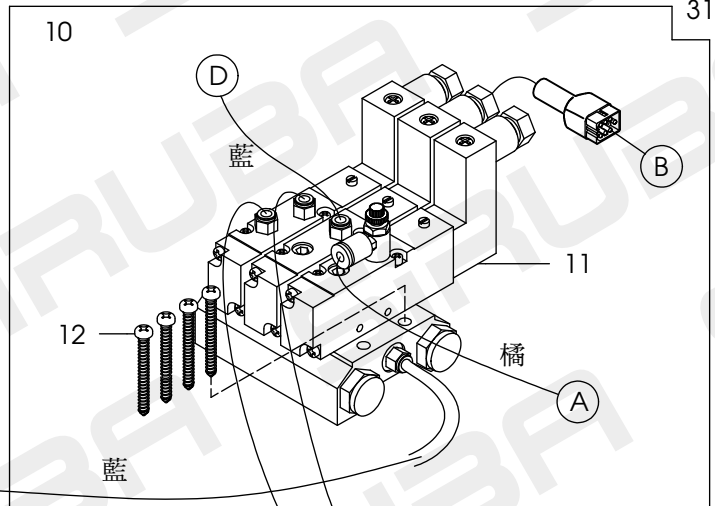
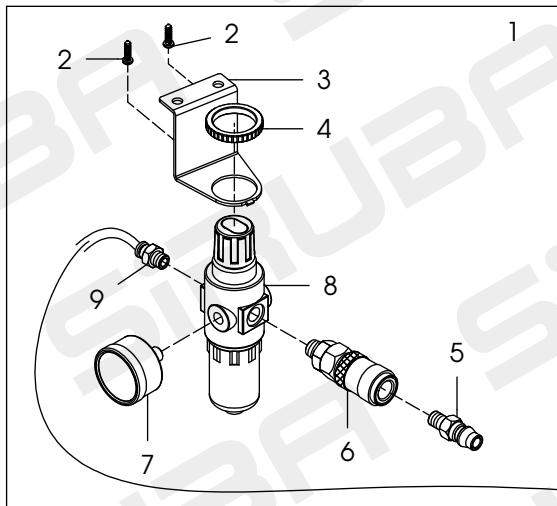
Ref. No.	Parts No.	Description	品 名	Amt. Req.
41	07403041	Screw (M6-1X10) .....	螺絲(止付) .....	2
42	07403042	Nut.....	螺帽.....	2
43	07400152	Emblem.....	銘牌.....	1
44	07401535	Pin.....	插銷.....	1
45	07403045	Retaining Ring.....	扣環.....	2
46	07403046	Cover.....	上蓋.....	1
47	07403047	O-ring.....	O環.....	2
48	07403048	Washer.....	防振墊圈.....	1
49	07403049	Cylinder Shaft.....	氣壓缸主軸.....	1
50	07403050	Washer.....	防油墊片(大) .....	1
51	07403051	Cover.....	下蓋.....	1
52	07403052	Washer.....	防油墊片(小) .....	1
53	07403053	Washer.....	防振墊圈.....	1
54	07403054	Cylinder Asm. ....	氣壓缸組.....	1
55	07403055	Switches Holder.....	電眼架(正面).....	1
56	07400366	Screw (1/8-44X5.7) .....	螺絲(一字).....	2
57	07403057	Screw (M5-0.8X12.3) .....	螺絲.....	2



SELECT DEVICE(AK PRESSER FOOT)

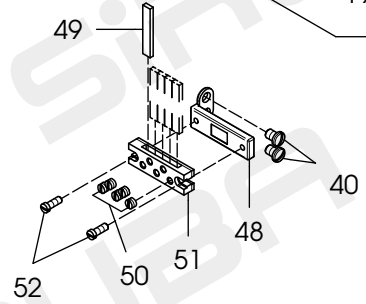
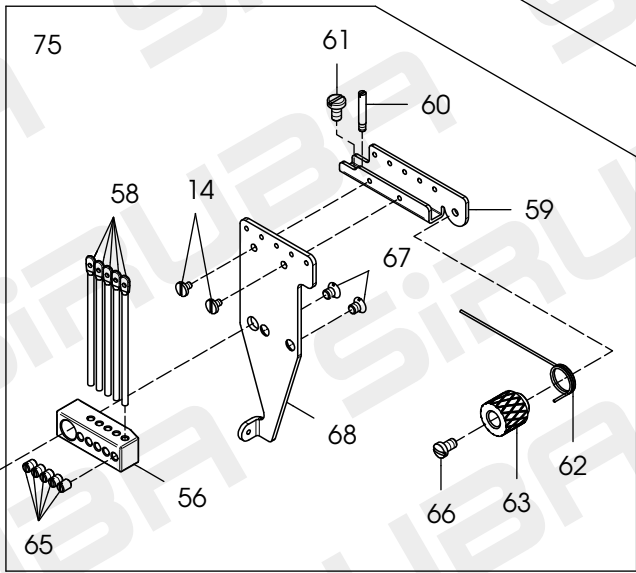
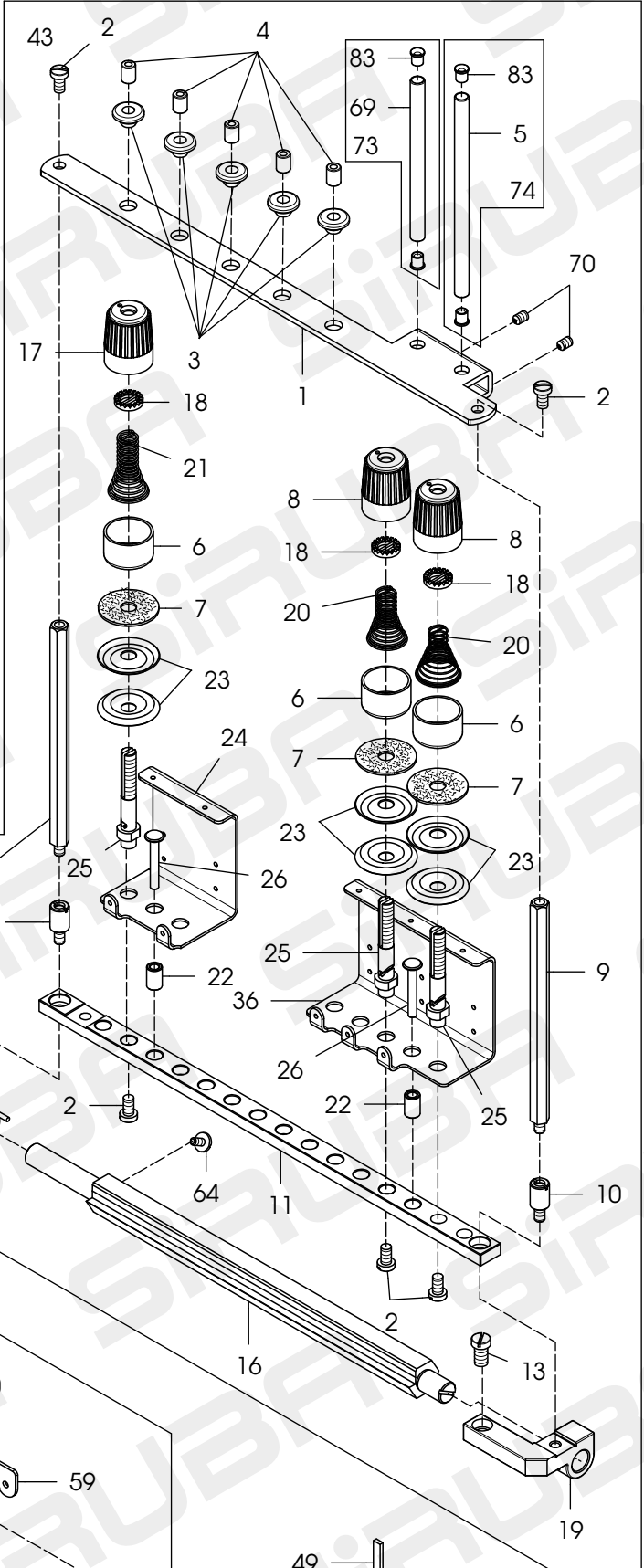
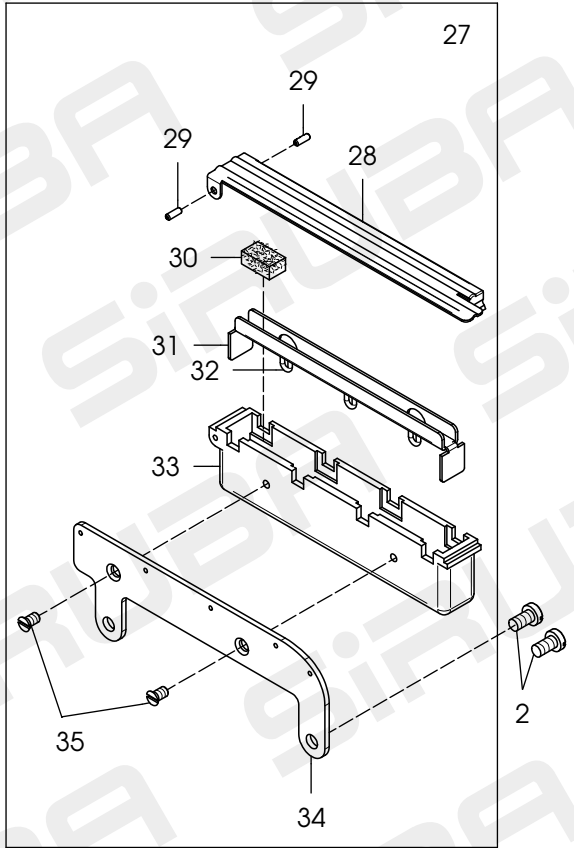
選擇配備(AK)-自動切線押腳 31

Ref.	Parts		Amt.
<u>No.</u>	<u>No.</u>	<u>Description</u>	<u>品 名</u> <u>Req.</u>
1	★ 07403101	Yielding Section (One Side Cut).....	押具輔助座(單切用)..... 1
2	★ 07403102	Yielding Section(Double Side Cut).....	押具輔助座(雙切用)..... 1
3	★ 07403103	Yielding Section (470.480-01DS).....	押具輔助座(限用 470.480-01DS) . 1
4	★ 07403104	Yielding Section (02-4L20).....	押具輔助座(限用 02-4LXX).. 1
	★ 請參照附件 1【針距規格表】		

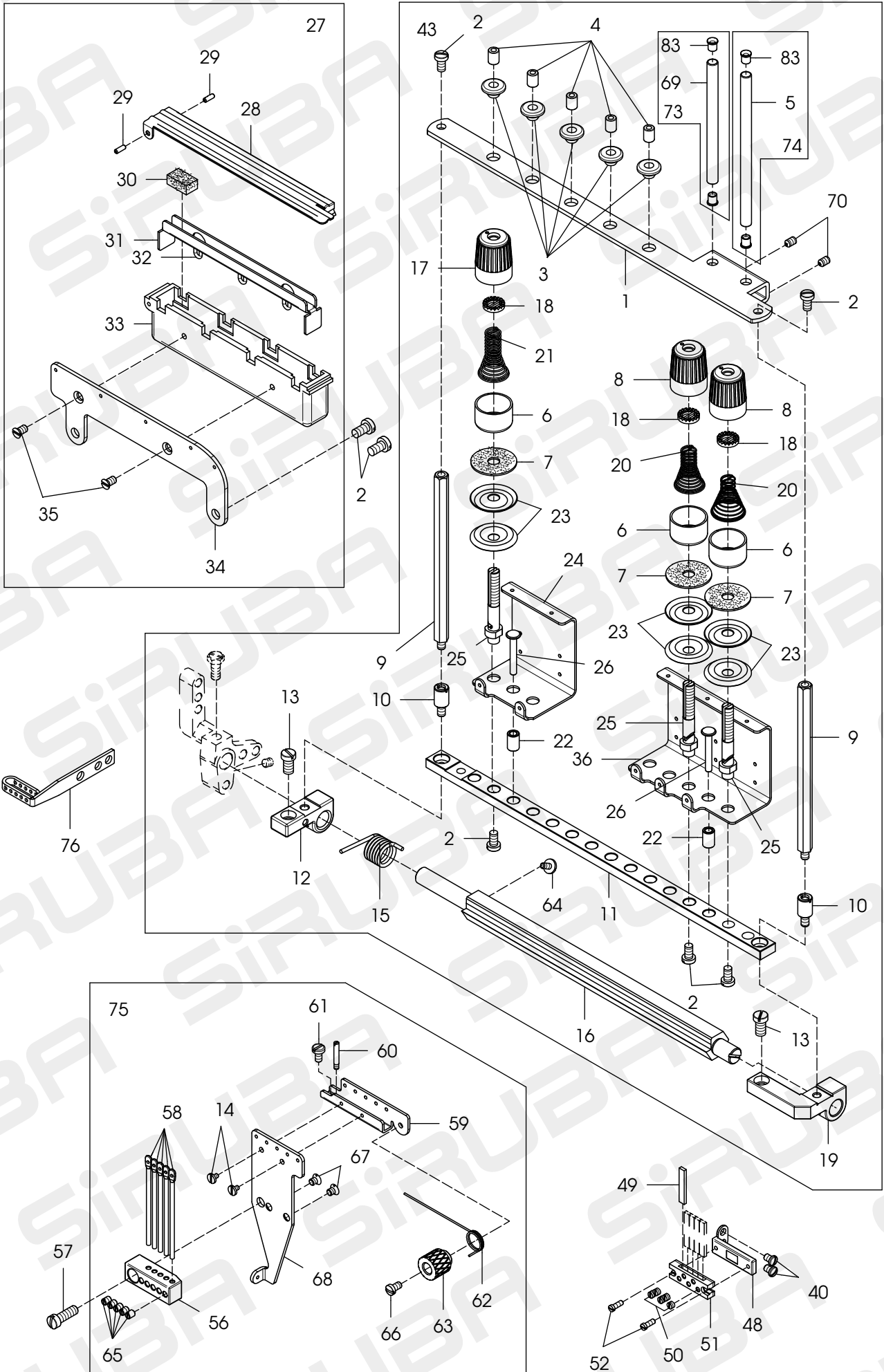


Ref.	Parts			Amt.
No.	No.	Description	品 名	Req.
1	07403201	Pneumatic Regulator C.Set.....	氣壓調節器組.....	1
2	07401508	Wood Screw.....	木螺絲.....	2
3	07403203	Bracket.....	托架.....	1
4	07401519	Screw Ring.....	螺環.....	1
5	07403205	Coupler.....	轉接頭.....	1
6	07403206	Connect Valve.....	氣壓閥.....	1
7	07401515	Gauge.....	氣磅表.....	1
8	07401513	Pneumatic Regulator.....	氣壓調節器.....	1
9	07401524	Coupler.....	轉接頭.....	1
10	07403210	Solenoid Valve C.Set.....	電磁閥組.....	1
11	07403211	Solenoid Valve.....	電磁閥.....	1
12	07403212	Wood Screw.....	木螺絲.....	4
13	07403213A	Dust-Collecting Equipment.....	集塵組.....	1
14	07401544	Holder.....	固定座.....	2
15	07401505	Wood Screw.....	木螺絲.....	6
16	07401528	Bag.....	布屑袋.....	1
17	07403217	Cover.....	布屑蓋.....	1
18	07401545	Clear Pipe.....	吸屑管.....	1
19	07401529	Fixed Ring.....	套環.....	2
20	07401503A	Connect Tube.....	接管.....	1
21	07401517	Fixed Ring.....	套環.....	1
22	07401506A	Tube.....	風管(大).....	1
23	07403223	Clear Pipe.....	吸屑管.....	1
24	07403224	Fixed Ring.....	套環.....	1
25	07403225	Tube.....	風管(小).....	1
26	07401543	Screw (M4-0.7X3.5).....	螺絲.....	1
27	07401542	Spring Washer.....	彈片.....	1
28	07401206	Control Box.....	控制箱.....	1
29	07403229	Knee Switch.....	膝動開關.....	1
30	07403230	Relay Line.....	抬押腳中繼線.....	1
31	07403231	AK Clear System.....	AK 吸風組.....	1
32	07403232	Tube (Blue) .....	氣管(藍)(6mmX28in).....	1
33	07403233	Tube (Orange ) .....	氣管(橘)(6mmX60in).....	2
34	07401549	Tube (Blue) .....	氣管(藍)(6mmX60in).....	2
35	07401550	Ties.....	束線帶(CV-250).....	12

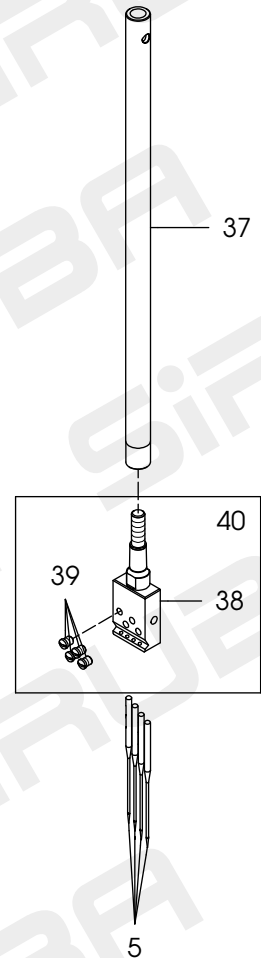
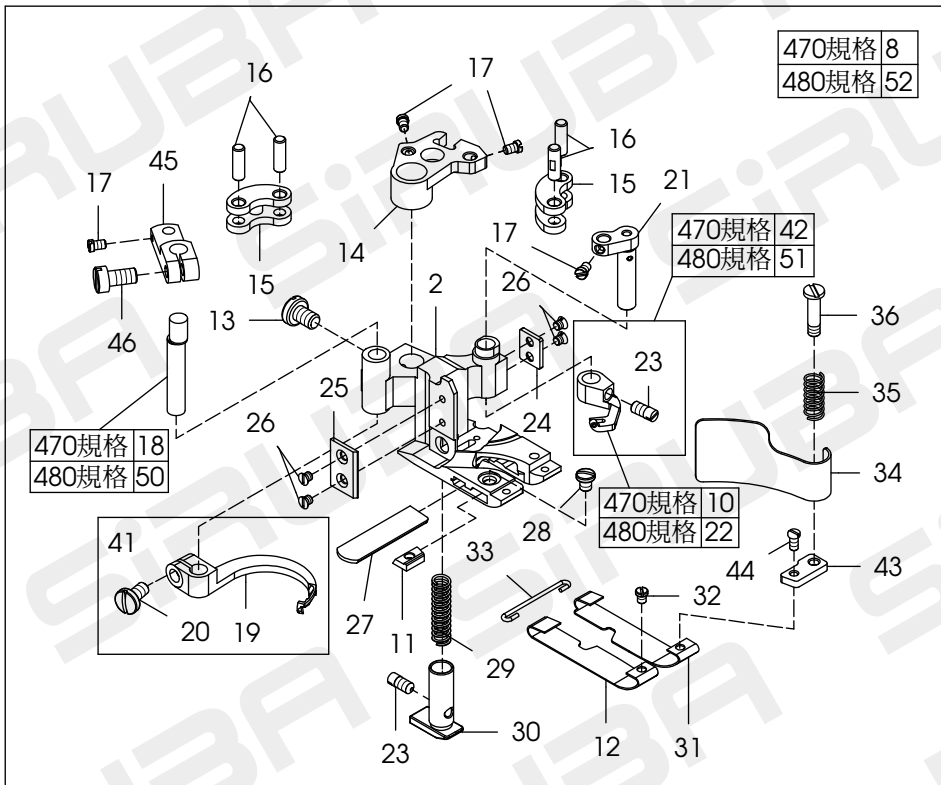
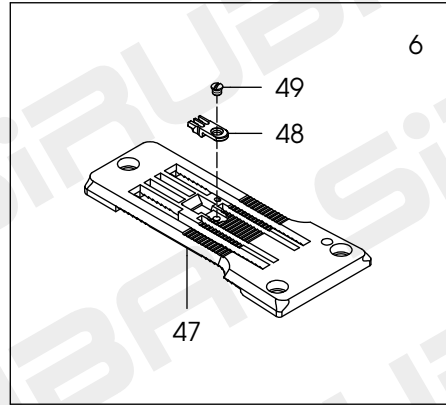
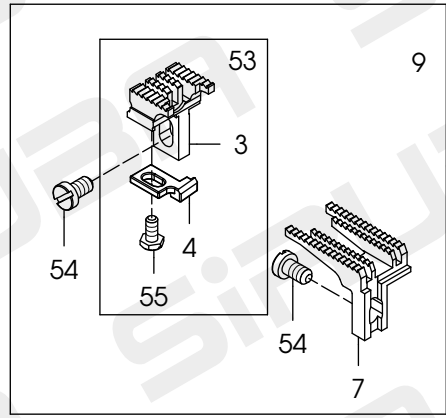
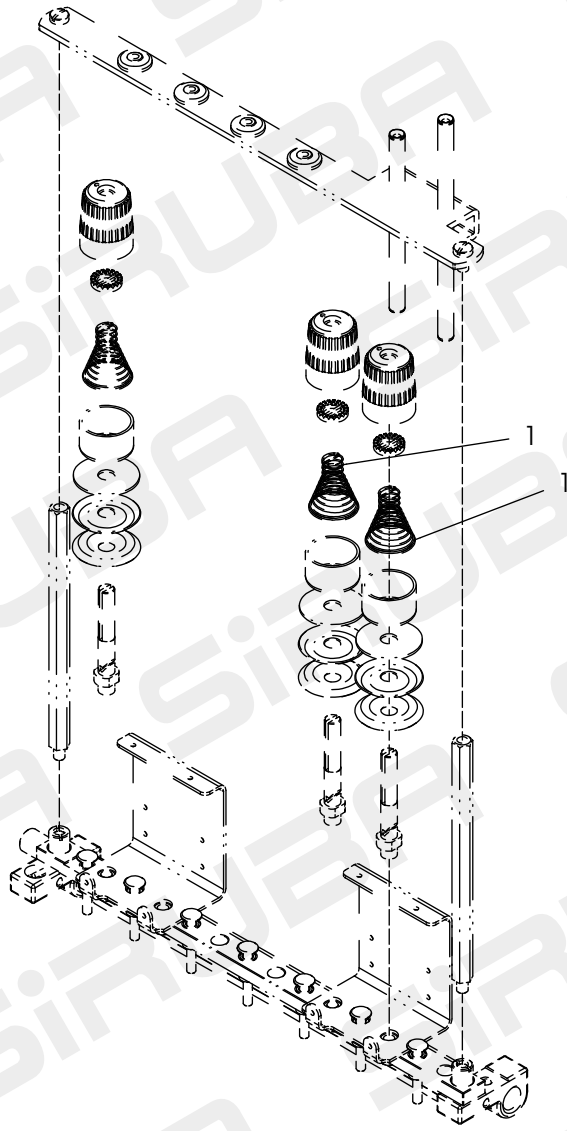




Ref.	Parts		Amt.
No.	No.	Description	品名
			Req.
1	07403301	Thread Guide Plate.....	線架板..... 1
2	07400302	Screw (11/64-40X7.8).....	螺絲..... 11
3	07400303	Thread Eyelet Bushing.....	過線孔套圈..... 5
4	07400304	Thread Eyelet.....	過線孔..... 5
5	07400305	Thread Pipe (Long).....	過線管(長)..... 1
6	07400306	Spring Retainer.....	彈簧固定座..... 7
7	07400307	Felt.....	氈墊..... 7
8	07400308	Spring Cap.....	彈簧調整鈕..... 2
9	07400309	Thread Guide Plate Support.....	線架板支撐棒..... 2
10	07400310	Screw (11/64-40X7).....	螺絲..... 2
11	07403311	Thread Tension Support.....	上線張力固定座..... 1
12	07400312	Thread Tension Support Bracket.....	上線張力固定座支架..... 1
13	07400313	Screw (7/32-32X9.5).....	螺絲..... 2
14	07400314	Screw (3/32-56X3.1).....	螺絲..... 2
15	07400315	Tension Release Shaft Spring.....	張力釋放軸彈簧..... 1
16	07403316	Tension Release Shaft.....	張力釋放軸..... 1
17	07400317	Spring Cap.....	彈簧調整鈕..... 5
18	07400318	Tension Spring Disc Support.....	張力彈簧調整圓盤..... 7
19	07403319	Thread Tension Support Bracket.....	上線張力固定座支架..... 1
20	07400320	Top Cover Thread Tension Spring.....	上飾線張力彈簧..... 2
21	07400321	Needle Thread Tension Spring.....	針線張力彈簧..... 5
22	07400322	Tension Release Pin Bushing.....	張力釋放插銷套管..... 8
23	07400323	Thread Tension Disc.....	張力調整盤..... 14
24	07400324	Thread Tension Disc Eyelet.....	張力調整過線架..... 2
25	07400325	Tension Post.....	張力彈簧支柱..... 7
26	07400326	Tension Release Pin.....	張力釋放插銷..... 8
27	07400327	SP Device , Complete C. Set.....	針線矽油組..... 1
28	07400328	Oil Cup Lip.....	矽油儲存槽蓋..... 1
29	07400329	Hinge Pin.....	鉸鏈插銷..... 2
30	07400330	SP Felt.....	SP 吸油氈..... 4
31	07400331	SP Felt Stay.....	SP 吸油氈支柱..... 1
32	07400332	Oil Wick.....	油芯..... 1
33	07400333	SP Container.....	矽油儲存槽..... 1
34	07403334	SP Container Support.....	矽油儲存槽固定座..... 1
35	07400335	Screw (9/64-40X4.6).....	螺絲..... 2
36	07403336	Thread Tension Disc Eyelet.....	張力調整過線架..... 1
40	07400340	Screw (1/8-44X4.3).....	螺絲..... 2
43	07403343	Thread Guide C.Set (5 Needle).....	線架組(五針七線)..... 1
48	07403348	Needle Thread Strike-off Pin Holder Bracket....	打線片固定架..... 1
49	07400349	Needle Thread Strike-off Pin.....	打線片..... 5

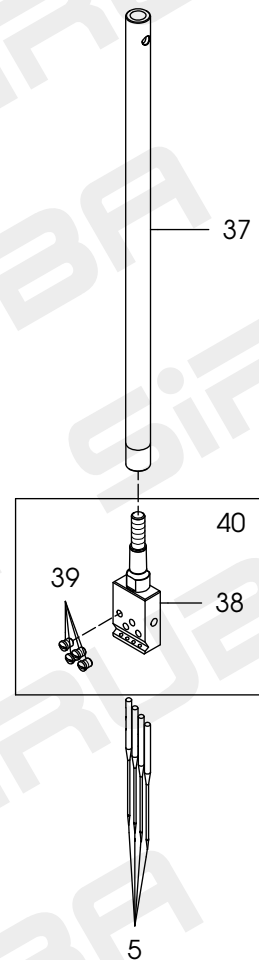
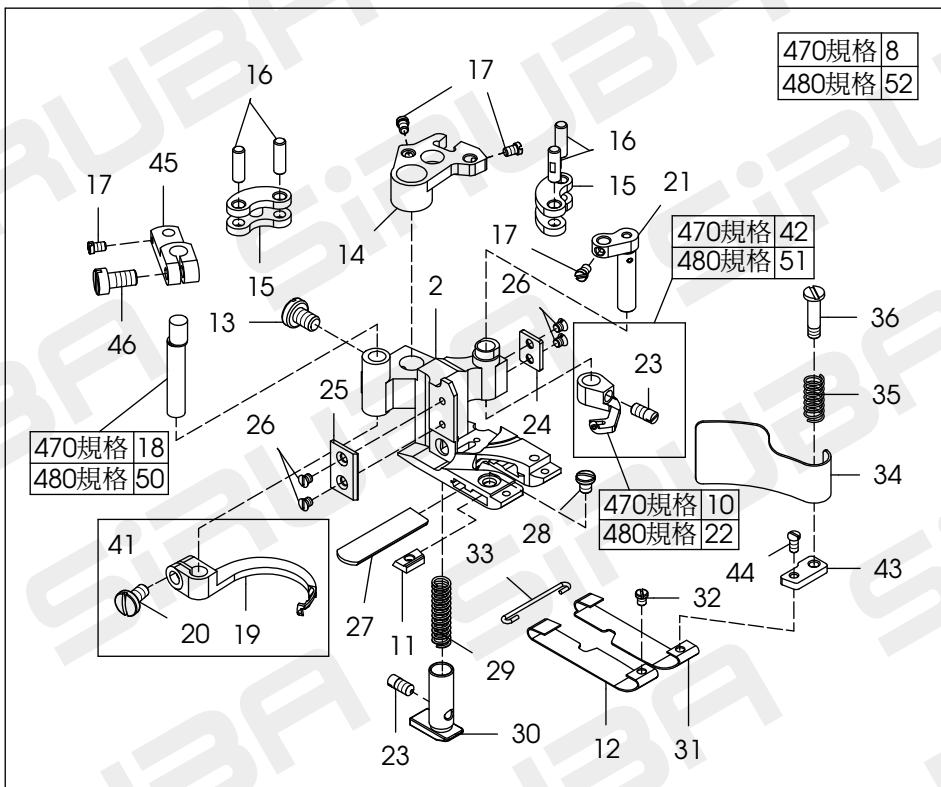
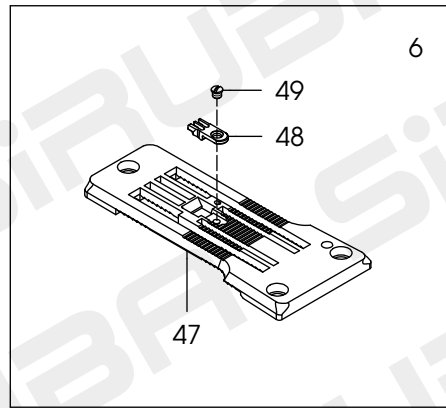
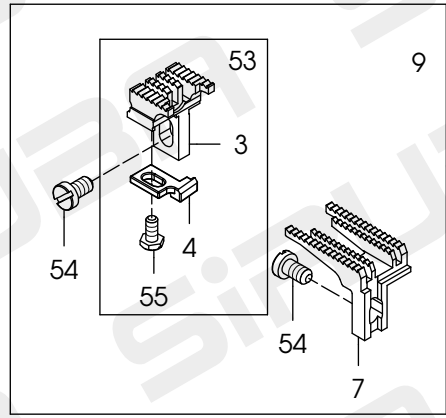
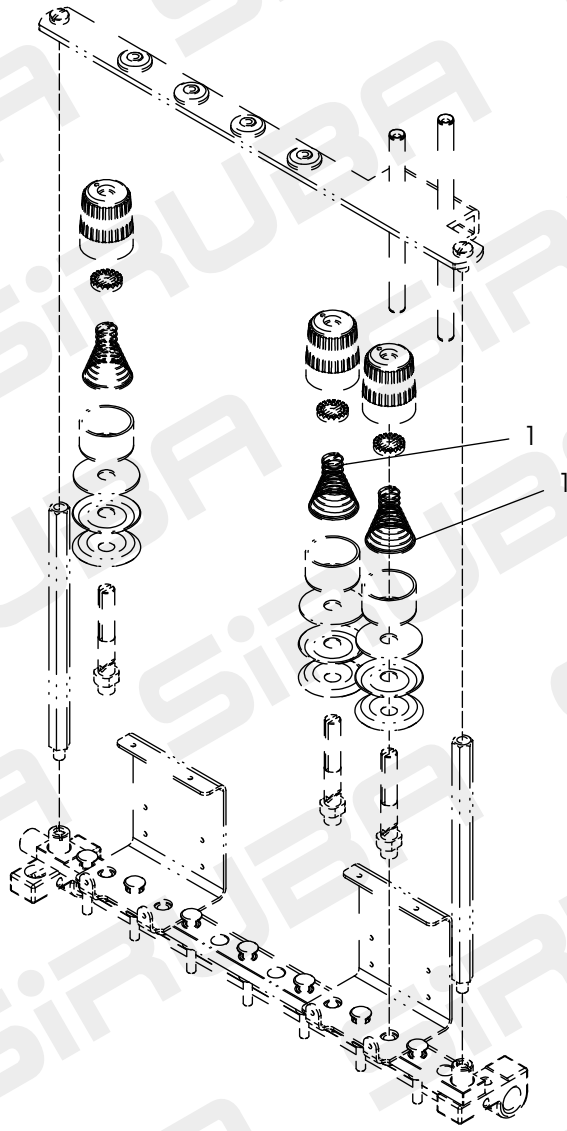


Ref.	Parts		Amt.
No.	No.	Description	品名
			Req.
50	07400350	Screw (1/8-44X2).....	螺絲..... 5
51	07403351	Needle Thread Strike-off Pin Holder.....	打線片固定座..... 1
52	07400352	Screw (3/32-56X6.2).....	螺絲..... 2
56	07403356	Needle Thread Eyelet Holder.....	針線過線棒座..... 1
57	07400357	Screw (11/64-40X13).....	螺絲..... 1
58	07400358	Needle Thread Eyelet.....	針線過線棒..... 5
59	07403359	Stitch Unlocker Mounting Bracket.....	過線架..... 1
60	07400360	Screw (M2.3-0.4X3).....	螺絲..... 1
61	07400361	Screw (1/8-44X5.9).....	螺絲..... 1
62	07403362	Stitch Unlocking Spring.....	過線彈簧..... 1
63	07400363	Stitch Unlocking Spring Holder.....	過線彈簧調節鈕..... 1
64	07400364	Screw (1/8-44X6.4).....	螺絲..... 1
65	07400365	Screw (1/8-44X3.4).....	螺絲..... 5
66	07400366	Screw (1/8-44X5.7).....	螺絲..... 1
67	07400367	Screw (1/8-44X2.7).....	螺絲..... 2
68	07403368	Stitch Unlocking Holder.....	過線座..... 1
69	07400369	Thread Pipe (Short).....	過線管(短)..... 1
70	07400370	Screw (M4-0.7X6).....	螺絲..... 2
73	07400373	Thread Pipe C.Set (Short).....	過線管組(短)..... 1
74	07400374	Thread Pipe C.Set (Long).....	過線管組(長)..... 1
75	07400375	Needle Thread Eyelet C.Set.....	針線過線棒組..... 1
76	07403376	Needle Thread Take-up.....	導線架..... 1
83	07400383	Thread Eyelet.....	過線陶瓷(深灰)..... 4



Ref. No.	Parts No.	Description	品 名	Amt. Req.
1	07400319	Top Cover Thread Tension Spring.....	上飾線張力彈簧.....	2
2	★ 07403402	Presser Foot (01)-470.480.....	專用押腳(01)-規格 470.480.	1
3	★ 07403403	Main Feed Dog .....	單切後送齒.....	1
4	★ 07403404	Needle Guard(Rear).....	針檔(後).....	1
5	07403405	Needle.....	擊針.....	4
6	07403406	Stitch Plate C.Set .....	針板組.....	1
7	★ 07402407	Differential Feed Dog.....	前送齒.....	1
8	★ 07403408	Presser Foot C. Set (For 470 Only).....	專用押具組(限用 470).....	1
9	07403409	One Side Cut Feed Dog C. Set.....	單切送齒組.....	1
10	07403410	Top Cover Thread Carrier (For 470 Only)..	上飾線托架(限用 470)....	1
11	★ 07402411	Lower Knife Clamp.....	下切刀夾板.....	1
12	★ 07403412	Presser Foot Spring Plate (Left).....	押具押板(左).....	1
13	07400615	Screw (11/64-40X6.3).....	螺絲.....	1
14	07400616	Carrier/Hook Driving Segment.....	上勾針驅動扇形片.....	1
15	07400617	Carrier/Hook Driving Lever Link.....	上勾針驅動連桿.....	2
16	07400618	Link Pin.....	連桿插銷.....	4
17	07400619	Screw (3/32-56X3.3).....	螺絲.....	4
18	07403418	Thread Hook Driving Lever (For 470 Only)	勾針驅動槓桿(限用 470)..	1
19	07400621	Top Cover Thread Hook.....	上飾線過線勾.....	1
20	07400622	Screw (9/64-40X6.8).....	螺絲.....	1
21	07400623	Top Cover Thread Carrier Driving Lever...	上飾線托架驅動槓桿.....	1
22	07403422	Top Cover Thread Carrier (For 480 Only)..	上飾線托架(限用 480)....	1
23	07400338	Screw (1/8-44X5).....	螺絲.....	2
24	07400626	Presser Foot Attach Piece (Right).....	押腳連接片(右).....	1
25	07400627	Presser Foot Attach Piece (Left).....	押腳連接片(左).....	1
26	07400628	Screw(3/32-56X1.5).....	螺絲.....	4
27	07400629	Lower Knife.....	下切刀片.....	1
28	07400631	Screw (1/8-44X3.5).....	螺絲.....	1
29	07400632	Yielding Section Spring.....	押具輔助座彈簧.....	1
30	★ 07400633	Yielding Section.....	押具輔助座.....	1
31	★ 07403431	Presser Foot Spring Plate (Right).....	押具押板(右).....	1
32	07400637	Screw (3/32-56X2.6).....	螺絲.....	1
33	07400638	Spring Plate Holder.....	彈簧片固定座.....	1
34	07400639	Chip Guard.....	切角防護片.....	1
35	07400640	Chip Guard Spring.....	切角防護片彈簧.....	1
36	07400641	Screw (1/8-44X3.4).....	螺絲.....	1
37	07400539	Needle Bar.....	針柱.....	1
38	★	Needle Clamp.....	針錐.....	1
39	07400543	Screw (3/32-56X2.5).....	螺絲.....	4

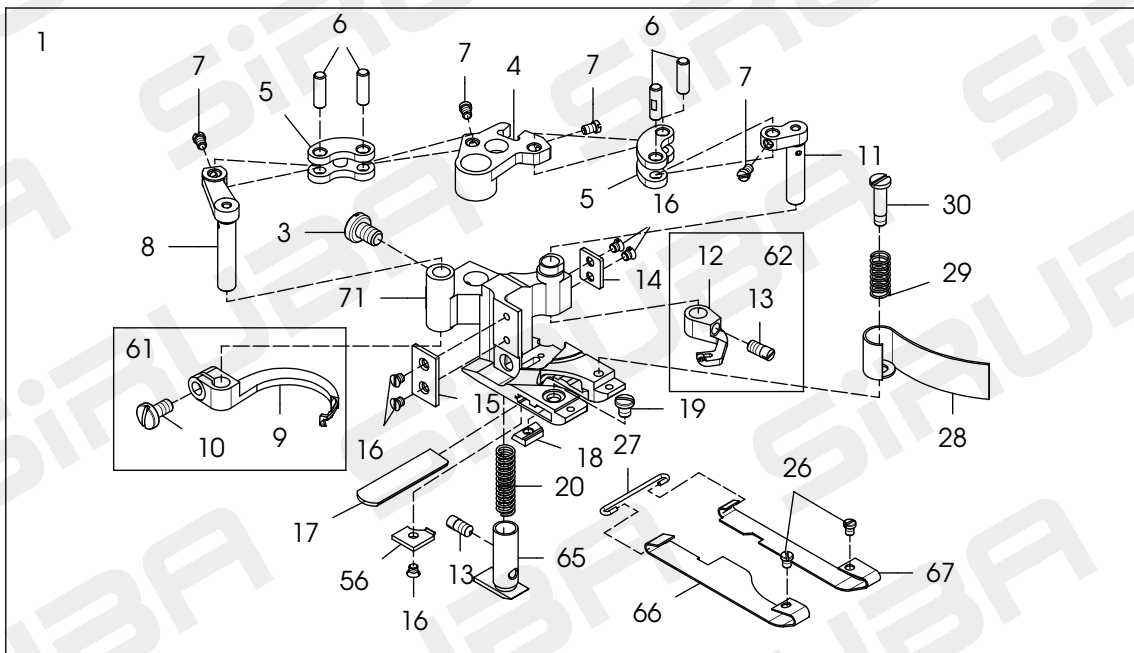
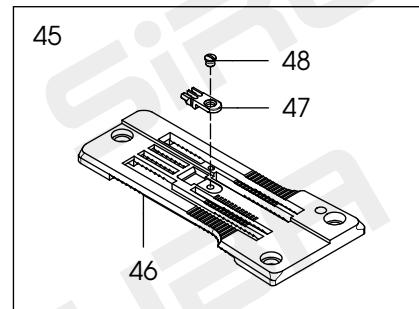
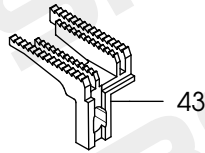
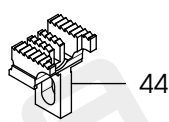
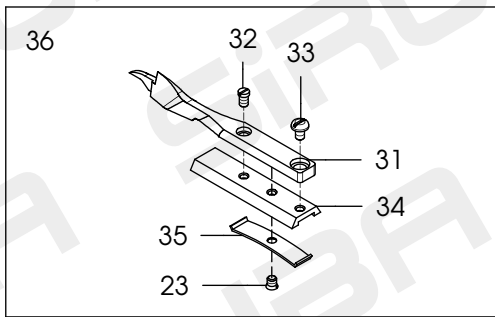
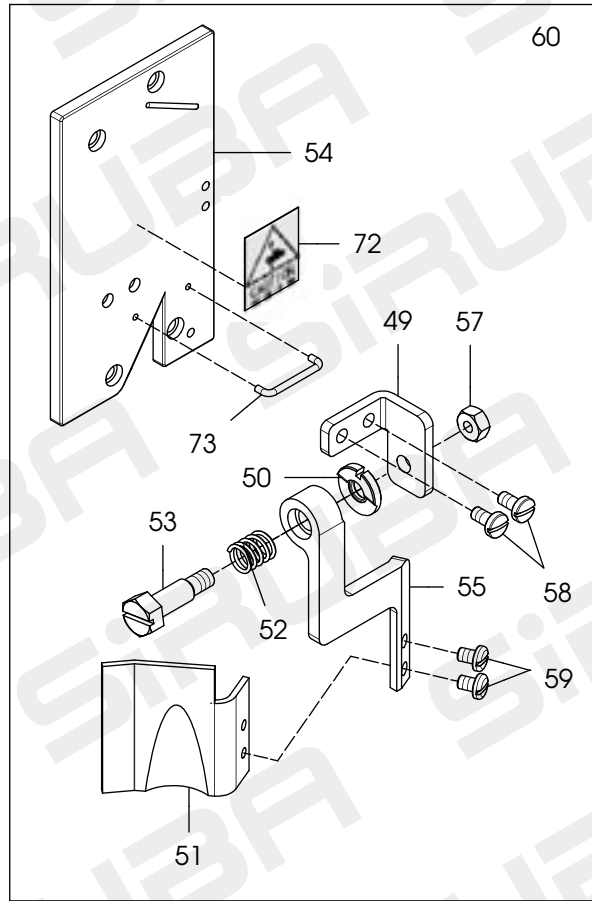
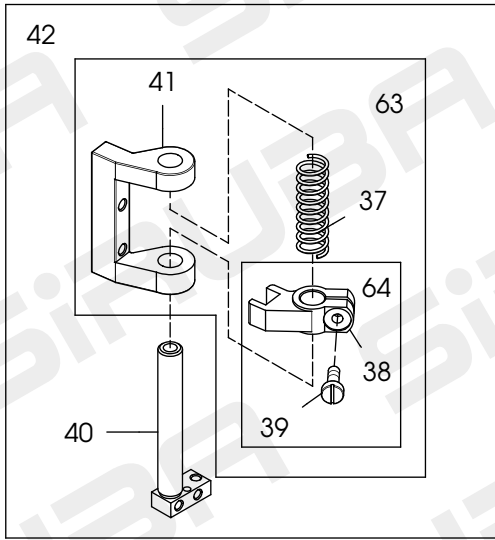
★請參照附件 1【針距規格表】



Ref. No.	Parts No.	Description	品名	Amt. Req.
40	07400531	Needle Clamp C.Set.....	針鉗組.....	1
41	07400646	Top Cover Thread Hook C.Set.....	上飾線勾針組(長).....	1
42	07403442	Top Cover Thread Carrier C.Set (For 470 Only)	上飾線勾針組(短)(限用 470)	1
43	07400649	Spacer.....	墊塊.....	1
44	07400650	Screw (3/32-56X4.3).....	螺絲.....	1
45	07403445	Driving Lever.....	驅動連桿.....	1
46	07403446	Screw (M4-0.7X8).....	螺絲(一字頭).....	1
47	★	Stitch Plate .....	單切針板.....	1
48	★	Stitch Plate Tongue.....	針板舌.....	1
49	07400547	Screw (3/32-56X2).....	螺絲.....	1
50	07403450	Thread Hook Driving Lever (For 480 Only)	勾針驅動槓桿(限用 480)..	1
51	07403451	Top Cover Thread Carrier C.Set (For 480 Only)	上飾線勾針組(短)(限用 480)	1
52	★ 07403452	Presser Foot C. Set (For 480 Only).....	專用押具組(限用 480).....	1
53	07403453	Main Feed Dog C.Set.....	單切後送齒組.....	1
54	07400302	Screw (11/64-40X7.8).....	螺絲.....	2
55	07401011	Screw (1/8-44X4.8).....	螺絲.....	1

★請參照附件 1【針距規格表】



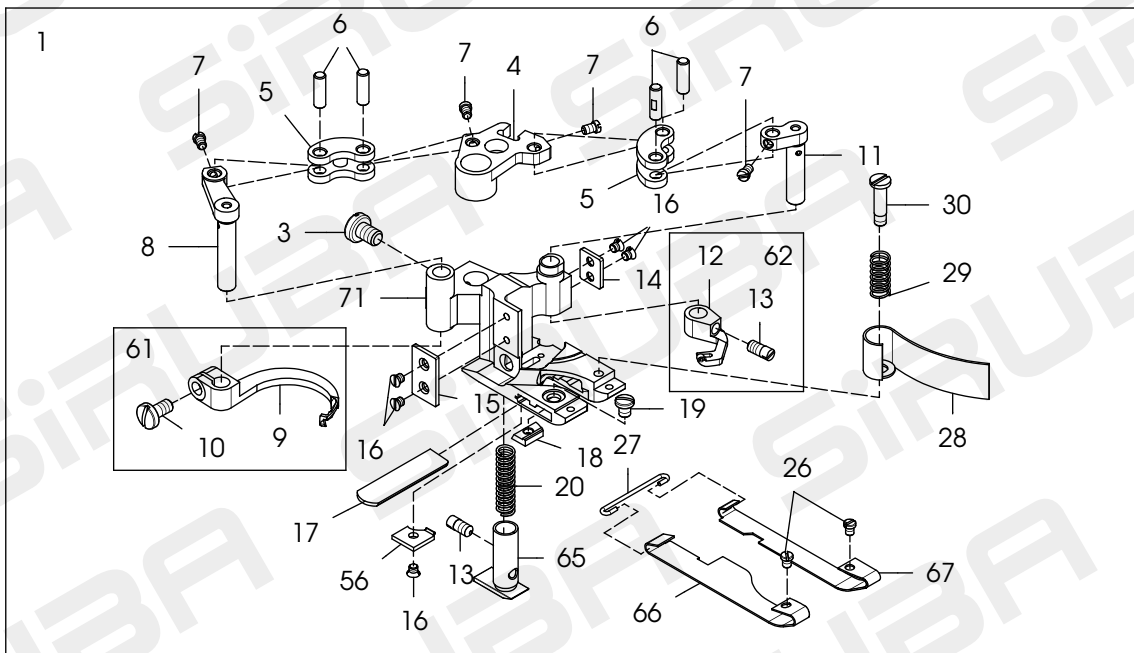
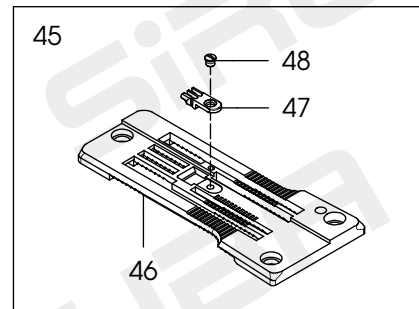
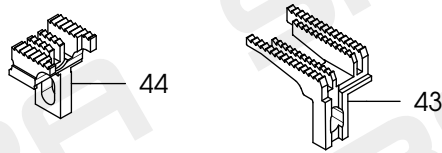
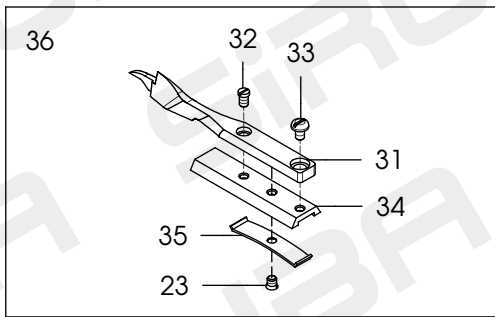
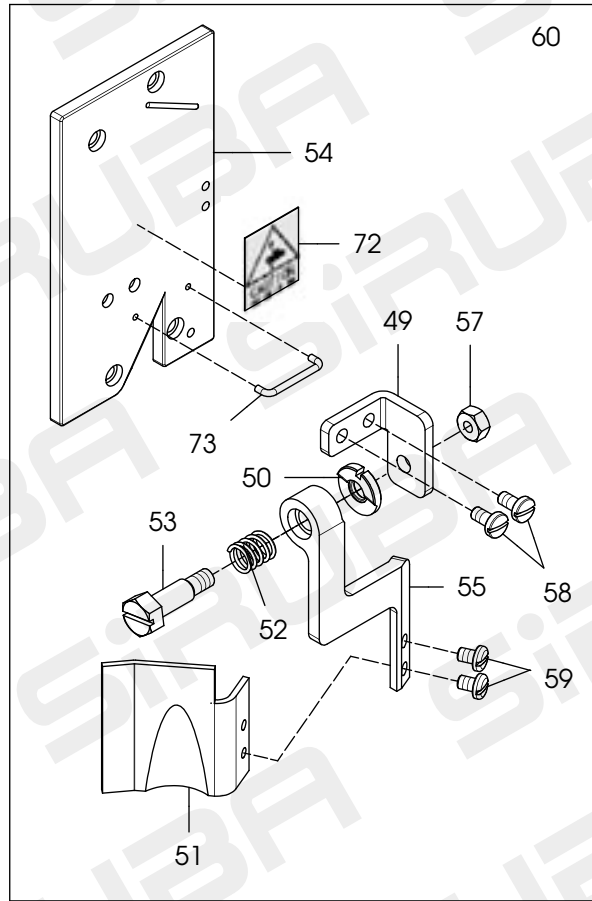
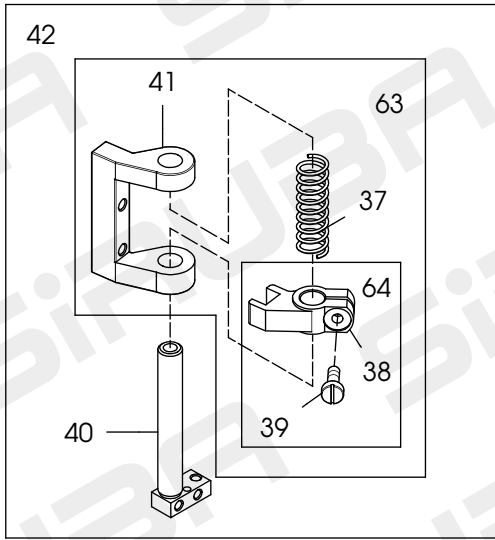


## SELECT DEVICE(02-4L20)

選擇配備(02-4LXX)-段差厚料35

Ref.	Parts		Amt.
No.	No.	Description	品名
			Req.
1	★	Double Side Cut Presser Foot C.Set.....	雙切押具組..... 1
3	07400615	Screw (11/64-40X6.3).....	螺絲..... 1
4	07400616	Carrier/Hook Driving Segment.....	上勾針驅動扇形片..... 1
5	07400617	Carrier/Hook Driving Lever Link.....	上勾針驅動連桿..... 2
6	07400618	Link Pin.....	連桿插銷..... 4
7	07400619	Screw (3/32-56X3.3).....	螺絲..... 4
8	07400620	Thread Hook Driving Lever.....	勾針驅動槓桿..... 1
9	07400621	Top Cover Thread Hook.....	上飾線過線勾..... 1
10	07400622	Screw (9/64-40X6.8).....	螺絲..... 1
11	07400623	Top Cover Thread Carrier Driving Lever... 上飾線托架驅動槓桿..... 1	
12	07403512	Top Cover Thread Carrier.....	上飾線托架..... 1
13	07400338	Screw (1/8-44X5).....	螺絲..... 2
14	07400626	Presser Foot Attach Piece (Right).....	押腳連接片(右)..... 1
15	07403515	Presser Foot Attach Piece (Left).....	押腳連接片(左)..... 1
16	07400628	Screw(3/32-56X1.5).....	螺絲..... 5
17	07400629	Lower Knife.....	下切刀片..... 1
18	07403518	Lower Knife Clamp.....	下切刀夾板..... 1
19	07400631	Screw (1/8-44X3.5).....	螺絲..... 1
20	07400632	Yielding Section Spring.....	押具輔助座彈簧..... 1
23	07401823	Screw (3/32-56X2).....	螺絲..... 1
26	07400637	Screw (3/32-56X2.6).....	螺絲..... 2
27	07400638	Spring Plate Holder.....	彈簧片固定座..... 1
28	07403528	Chip Guard.....	切角防護片..... 1
29	07400640	Chip Guard Spring.....	切角防護片彈簧..... 1
30	07400641	Screw (1/8-44X3.4).....	螺絲..... 1
31	★ 07403531	Lap Former Guide.....	導布器..... 1
32	07401832	Screw (3/32-56X3.5).....	螺絲..... 1
33	07401833	Screw (3/32-56X3.9).....	螺絲..... 1
34	07403534	Lap Former Guide Support.....	導布器座..... 1
35	07401835	Lap Former Guide Spring.....	導布器彈簧片..... 1
36	07403536	Lap Former Guide C.Set.....	導布組..... 1
37	07400737	Knife Holder Spring.....	上切刀固定座彈簧..... 1
38	07403538	Knife Holder Guide Collar.....	刀台襯套..... 1
39	07400739	Screw (9/64-40X9).....	螺絲..... 1
40	07400740	Knife Holder Shank.....	上切刀固定座柄..... 1
41	07403541	Knife Holder Shank Support.....	上切刀固定座支架..... 1
42	07403542	Knife Holder Guide Collar C. Set.....	刀台組..... 1
43	★	Differential Feed Dog.....	前送齒..... 1
44	★	Main Feed Dog.....	後送齒..... 1

★請參照附件 1【針距規格表】



## SELECT DEVICE(02-4L20)

## 選擇配備(02-4LXX)-段差厚料35

Ref.	Parts			Amt.
No.	No.	Description	品名	Req.
45	07403545	Stitch Plate C.Set.....	針板組.....	1
46	★	Stitch Plate.....	針板.....	1
47	★	Stitch Plate Tongue.....	針板舌.....	1
48	07400547	Screw (3/32-56X2).....	螺絲.....	1
49	07403549	Frame Chip Guard Bracket.....	導布蓋支架.....	1
50	07400144	Frame Chip Guard Washer.....	導布蓋固定墊片.....	1
51	07403551	Frame Chip Guard.....	導布蓋.....	1
52	07400146	Frame Chip Guard Spring.....	導布蓋彈簧.....	1
53	07400147	Screw (M5-0.8X8.5).....	螺絲.....	1
54	07403554	Sewing Head Cover (Front).....	車台前蓋.....	1
55	07403555	Frame Chip Guard Support.....	導布蓋固定座.....	1
56	★ 07403556	Presser Foot Tongue.....	導布板.....	1
57	07871028	Nut.....	螺帽.....	1
58	07400150	Screw (9/64-40X7).....	螺絲.....	2
59	07400227	Screw (9/64-40X5).....	螺絲.....	2
60	07403560	Frame Chip Guard C.Set.....	導布蓋組.....	1
61	07400646	Top Cover Thread Hook C.Set.....	上飾線勾針組(長).....	1
62	07403562	Top Cover Thread Carrier C.Set.....	上飾線勾針組(短).....	1
63	07403563	Knife Holder Guide Collar C. Set.....	刀台組.....	1
64	07403564	Knife Holder Guide Collar C.Set.....	刀台襯套組.....	1
65	★ 07403565	Yielding Section.....	押具輔助座.....	1
66	★ 07403566	Presser Foot Spring Plate (Left).....	押具押板(左).....	1
67	★ 07403567	Presser Foot Spring Plate (Right).....	押具押板(右).....	1
71	★ 07403571	Double Side Cut Presser Foot (02-4L20)....	雙切段差厚料押腳.....	1
72	07400166	Warning Sticker.....	警告貼紙.....	1
73	07400353	Needle Thread Guide Wire.....	針線導架金屬線.....	1

★ 請參照附件 1【針距規格表】

針具規格	Main Parts  Models							
		標準件	(選擇件)	標準件	(選擇件)			
		真針	真針	假針	假針			
448	D007R-448-01	11101032	-	11104013	-			
	D007R-448-01-AK	11101032	-	11104013	-			
	D007R-448-02	11101032	-	11104013	-			
	D007R-448-02-AK	11101032	-	11104013	-			
	D007R-448-02R	11101032	-	11104013	-			
	D007R-448-02R-AK	11101032	-	11104013	-			
452	D007R-452-01	11101030	-	11104010	-			
	D007R-452-01-AK	11101030	-	11104010	-			
	D007R-452-02	11101030	-	11104010	-			
	D007R-452-02-AK	11101030	-	11104010	-			
	D007R-452-02R	11101030	-	11104010	-			
	D007R-452-02R-AK	11101030	-	11104010	-			
	D007R-452-02H	11101030	-	11104010	-			
	D007R-452-02H-AK	11101030	-	11104010	-			
	D007R-452-02RH	11101030	-	11104010	-			
	D007R-452-02RH-AK	11101030	-	11104010	-			
	D007R-452-02-T1	11101030	-	11104010	-			
	D007R-452-02-T1-AK	11101030	-	11104010	-			
	D007R-452-01-T2	11101030	-	11104010	-			
	D007R-452-01-T2-AK	11101030	-	11104010	-			
	D007R-452-02-T2	11101030	-	11104010	-			
	D007R-452-02-T2-AK	11101030	-	11104010	-			
	D007R-452-02R-T2	11101030	-	11104010	-			
	D007R-452-02R-T2-AK	11101030	-	11104010	-			
	D007R-452-02H-T2	11101030	-	11104010	-			
	D007R-452-02H-T2-AK	11101030	-	11104010	-			
	D007R-452-01-S	11101030	-	11104010	-			
	D007R-452-01-S-AK	11101030	-	11104010	-			
	D007R-452-02-S	11101030	-	11104010	-			
	D007R-452-02-S-AK	11101030	-	11104010	-			
	D007R-452-01-DS	11102070	11303070	11104030	-			
	D007R-452-01-DS-AK	11102070	11303070	11104030	-			
	D007R-452-02-4L10	11101030	-	11104010	-			
	D007R-452-02-4L10-AK	11101030	-	11104010	-			
	D007R-452-02-4L15	11101030	-	11104010	-			
	D007R-452-02-4L15-AK	11101030	-	11104010	-			
	D007R-452-02-4L20	11101030	-	11104010	-			
	D007R-452-02-4L20-AK	11101030	-	11104010	-			
D007R-452-02-5L10	11101030	-	11104010	-				
D007R-452-02-5L10-AK	11101030	-	11104010	-				
D007R-452-02-5L15	11101030	-	11104010	-				
D007R-452-02-5L15-AK	11101030	-	11104010	-				
D007R-452-02-5L20	11101030	-	11104010	-				
D007R-452-02-5L20-AK	11101030	-	11104010	-				

460	D007R-460-01	11101030	-	11104010	-		
	D007R-460-01-AK	11101030	-	11104010	-		
	D007R-460-02	11101030	-	11104010	-		
	D007R-460-02-AK	11101030	-	11104010	-		
	D007R-460-02R	11101030	-	11104010	-		
	D007R-460-02R-AK	11101030	-	11104010	-		
	D007R-460-02H	11101030	-	11104010	-		
	D007R-460-02H-AK	11101030	-	11104010	-		
	D007R-460-02RH	11101030	-	11104010	-		
	D007R-460-02RH-AK	11101030	-	11104010	-		
	D007R-460-01-T2	11101030	-	11104010	-		
	D007R-460-01-T2-AK	11101030	-	11104010	-		
	D007R-460-02-T2	11101030	-	11104010	-		
	D007R-460-02-T2-AK	11101030	-	11104010	-		
	D007R-460-02R-T2	11101030	-	11104010	-		
	D007R-460-02R-T2-AK	11101030	-	11104010	-		
	D007R-460-02H-T2	11101030	-	11104010	-		
	D007R-460-02H-T2-AK	11101030	-	11104010	-		
	D007R-460-01-S	11101030	-	11104010	-		
	D007R-460-01-S-AK	11101030	-	11104010	-		
	D007R-460-02-S	11101030	-	11104010	-		
	D007R-460-02-S-AK	11101030	-	11104010	-		
	D007R-460-01-DS	11102070	11303070	11104030	-		
	D007R-460-01-DS-AK	11102070	11303070	11104030	-		
	D007R-460-02-4L10	11101030	-	11104010	-		
	D007R-460-02-4L10-AK	11101030	-	11104010	-		
	D007R-460-02-4L15	11101030	-	11104010	-		
	D007R-460-02-4L15-AK	11101030	-	11104010	-		
	D007R-460-02-4L20	11101030	-	11104010	-		
	D007R-460-02-4L20-AK	11101030	-	11104010	-		
	D007R-460-02-5L10	11101030	-	11104010	-		
	D007R-460-02-5L10-AK	11101030	-	11104010	-		
D007R-460-02-5L15	11101030	-	11104010	-			
D007R-460-02-5L15-AK	11101030	-	11104010	-			
D007R-460-02-5L20	11101030	-	11104010	-			
D007R-460-02-5L20-AK	11101030	-	11104010	-			
464	D007R-464-01	11101030	-	11104010	-		
	D007R-464-01-AK	11101030	-	11104010	-		
	D007R-464-02	11101030	-	11104010	-		
	D007R-464-02-AK	11101030	-	11104010	-		
	D007R-464-02R	11101030	-	11104010	-		
	D007R-464-02R-AK	11101030	-	11104010	-		
552	D007R-552-01	11101031	11101020	11104013	11104031		
	D007R-552-01-AK	11101031	11101020	11104013	11104031		
	D007R-552-02	11101031	11101020	11104013	11104031		
	D007R-552-02-AK	11101031	11101020	11104013	11104031		
	D007R-552-02R	11101031	11101020	11104013	11104031		
	D007R-552-02R-AK	11101031	11101020	11104013	11104031		
470	D007R-470-01-DS	11105100	-	-	-		
	D007R-470-01-DS-AK	11105100	-	-	-		
480	D007R-480-01-DS	11105100	-	-	-		
	D007R-480-01-DS-AK	11105100	-	-	-		

● 其他特殊選用 真針 : 11101040、11101050、11206030、11207070、11107100

● 其他特殊選用 假針 : 11104020

產品上之機針選用，及附件盒內配備之機針，有時會因客戶要求而有其他特殊選用、配備。

附件1

STITCH LENGTH SPECIFICATION

針距規格表

Table with columns for Main Parts (1-24), Models, and various machine parts (Needle Clamp, Stitch Plate, Main Feed Dog, etc.). It lists specifications for models like D007R-448-01, D007R-452-01, etc.

●【押具整組】：包含 (1)-(24) 的零件。下單時請特別注意，避免重複訂購。
●【產品使用注意事項】：當原使用產品的規格、欲變更其他規格，例如：4針5.2mm變更爲4針6.0mm，必須使用校車定期整組由專業技師調校。



# D007R

高林股份有限公司 KAULIN MFG. CO., LTD.