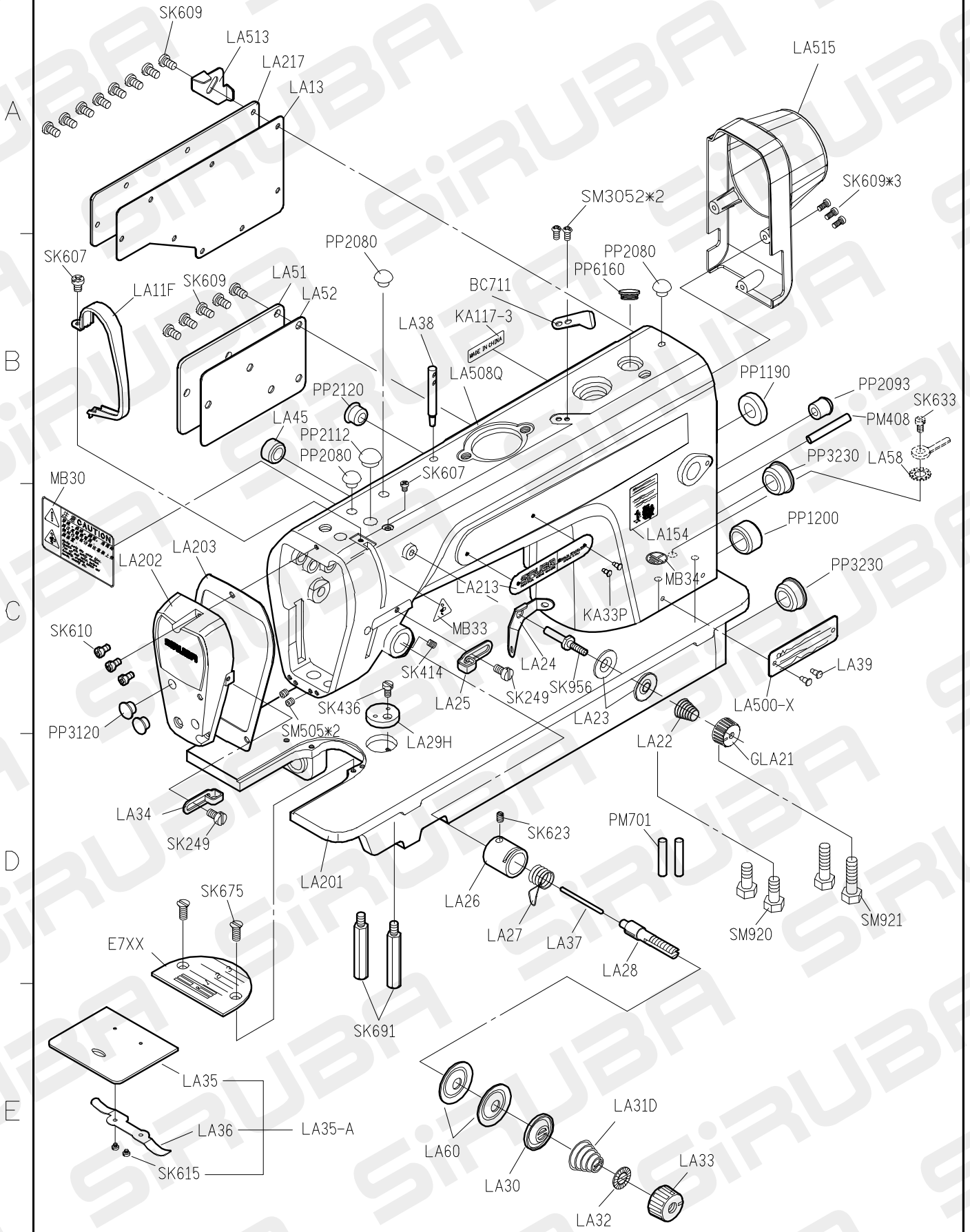


DL918-DM1自動切線 / CONVERSION CHART

MODEL	SUB-CLASS	OPERATING PANEL	NEEDLE PLATE	FEED DOG	PRESSER FOOT	HOOK ASM	BOBBIN CASE ASM	BOBBIN	NEEDLE	HAND WHEEL
機 型	規 格	操作盒	針 板	送 具	押 具	梭 頭	梭 殼	梭 子	針 號	皮帶輪
DL918-DM1-00	半無油式 中厚布料	L-700B	E704	D701	P701	G121	G202	G303	DBX1#14	LH500-E LH500P-E
DL918-DM1-03			E704D	D702	P701	G121	G202	G303	DBX1#14	
DL918-DM1A-00	半無油式 中厚布料	L-900	E704	D701	P701	G121	G202	G303	DBX1#14	LH500-E LH500P-E
DL918-DM1A-03			E704D	D702	P701	G121	G202	G303	DBX1#14	

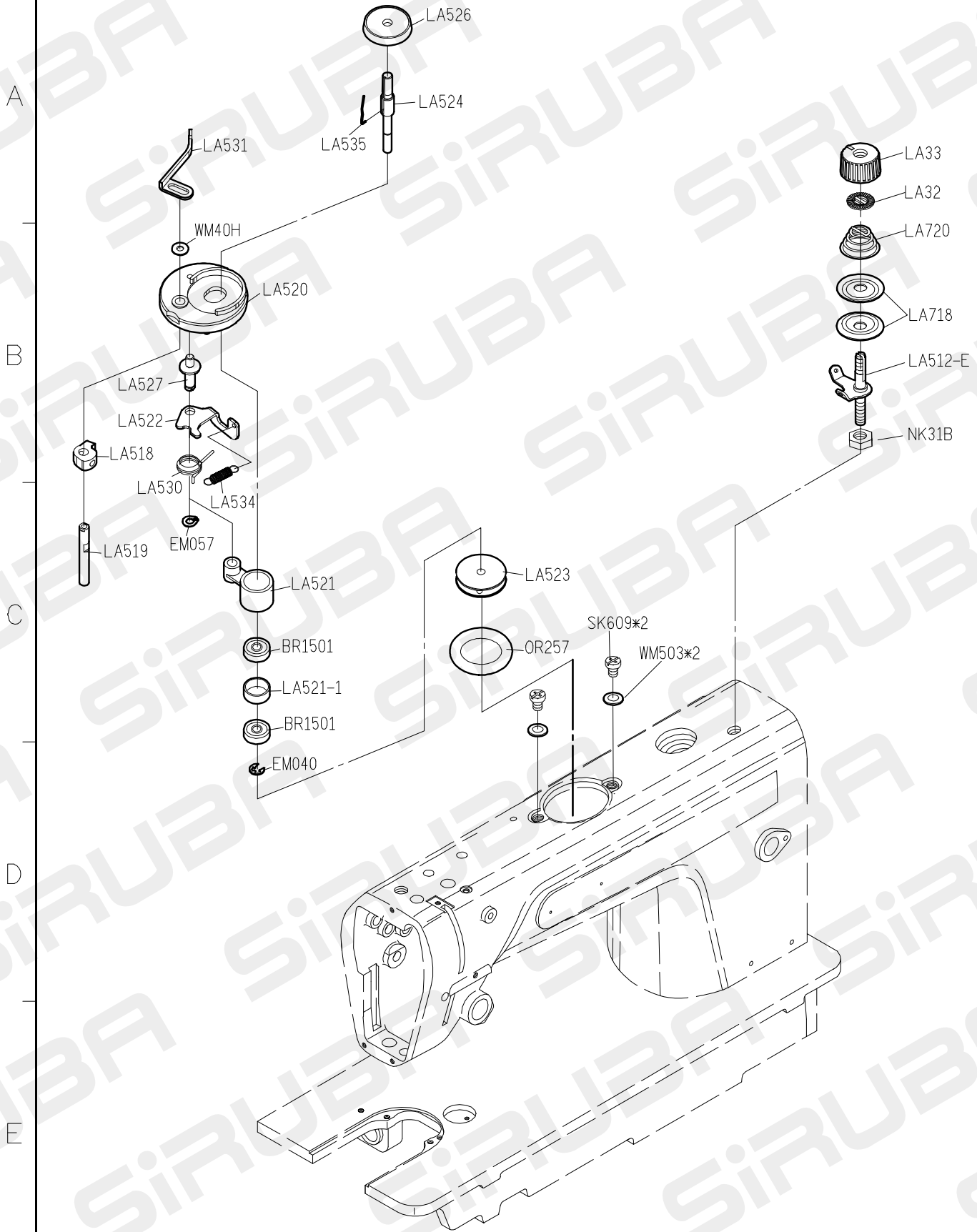
10.06.20

DL918-DM1U PARTS LIST FOR LA GROUP P.1/2



1
*FOR DL918-DM1 TRIMMER

DL918-DM1U PARTS LIST FOR LA GROUP P.2/2



1
*FOR DL918-DM1 TRIMMER

2

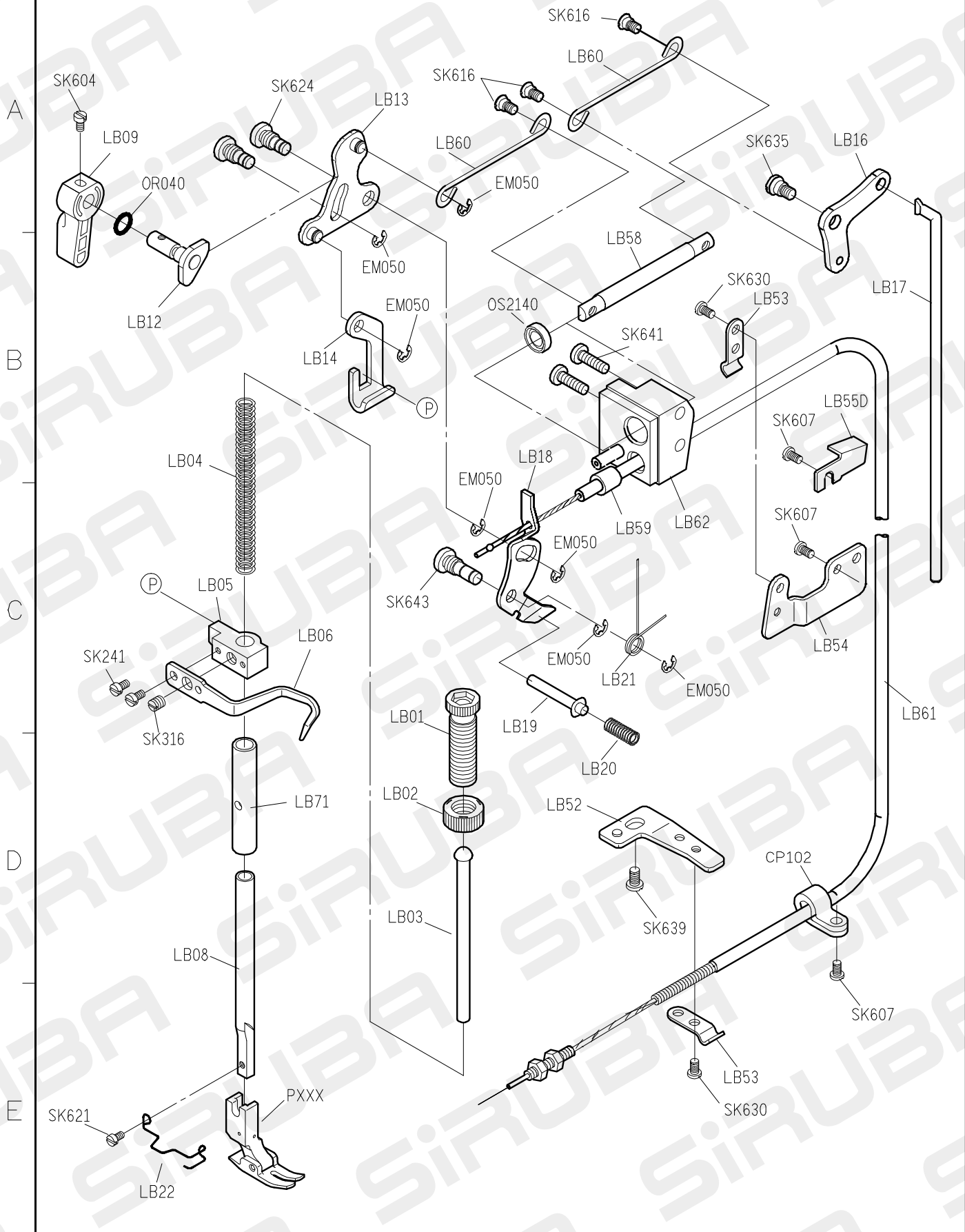
3

4

5

11/03/07

DL918-DM1U PARTS LIST FOR LB GROUP P.1/1



1
*FOR DL918-DM1 TRIMMER

11/02/16

DL918-DM1U PARTS LIST FOR LC GROUP P.1/2

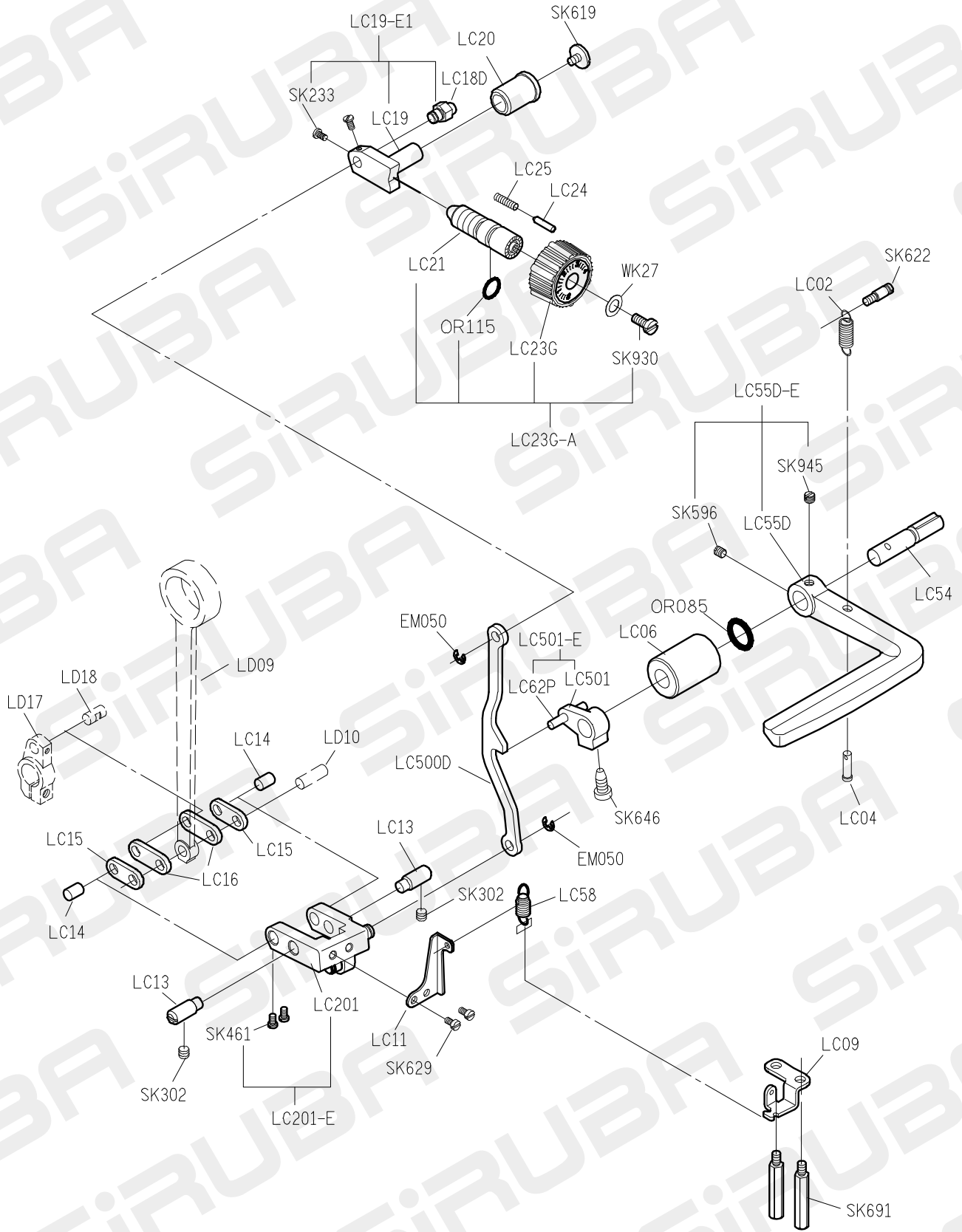
A

B

C

D

E



1

2

3

4

5

*FOR DL918-DM1 TRIMMER

11/03/02

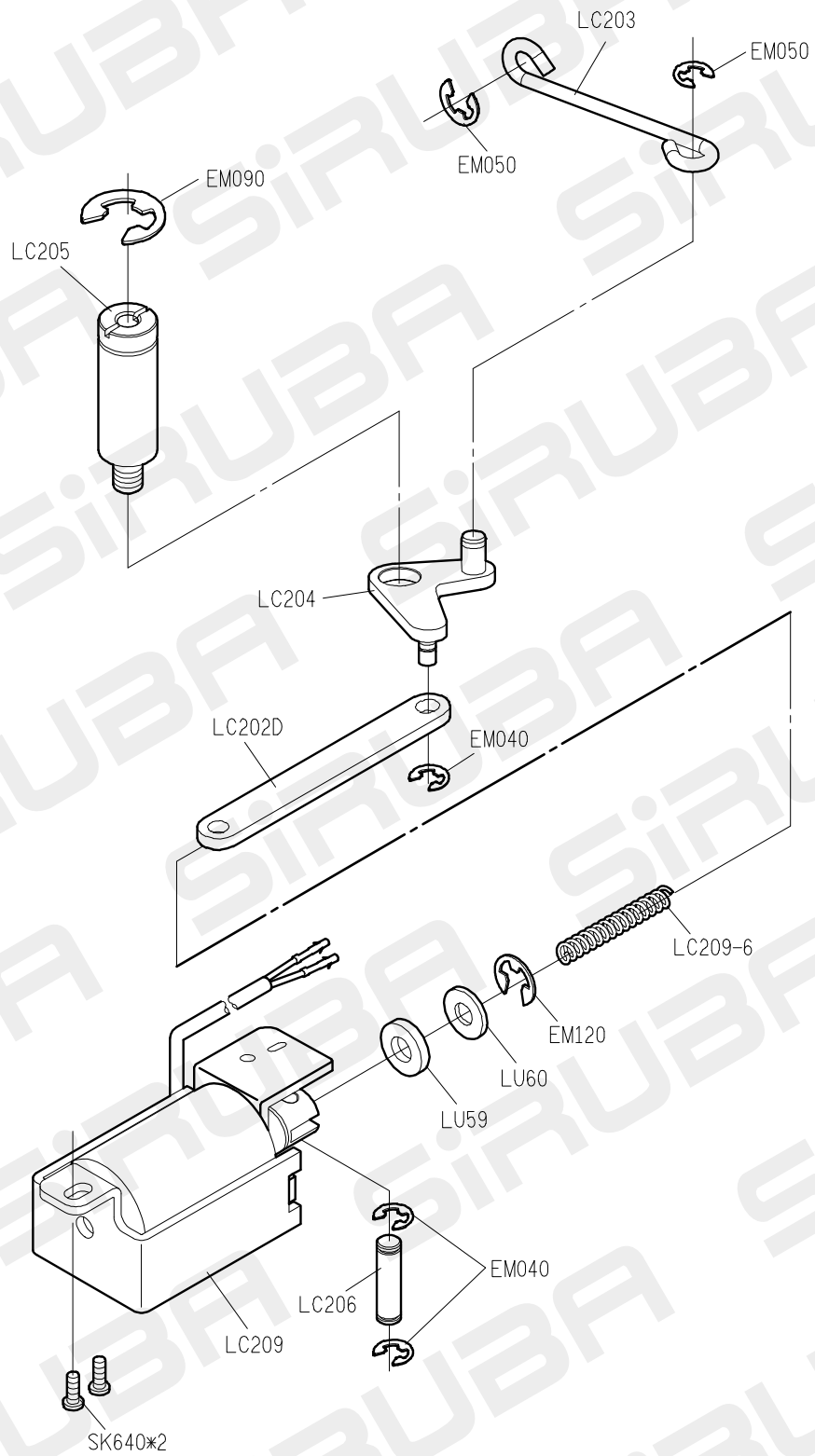
A

B

C

D

E



1

2

3

4

5

DL918-DM1U PARTS LIST FOR LD GROUP P.1/1

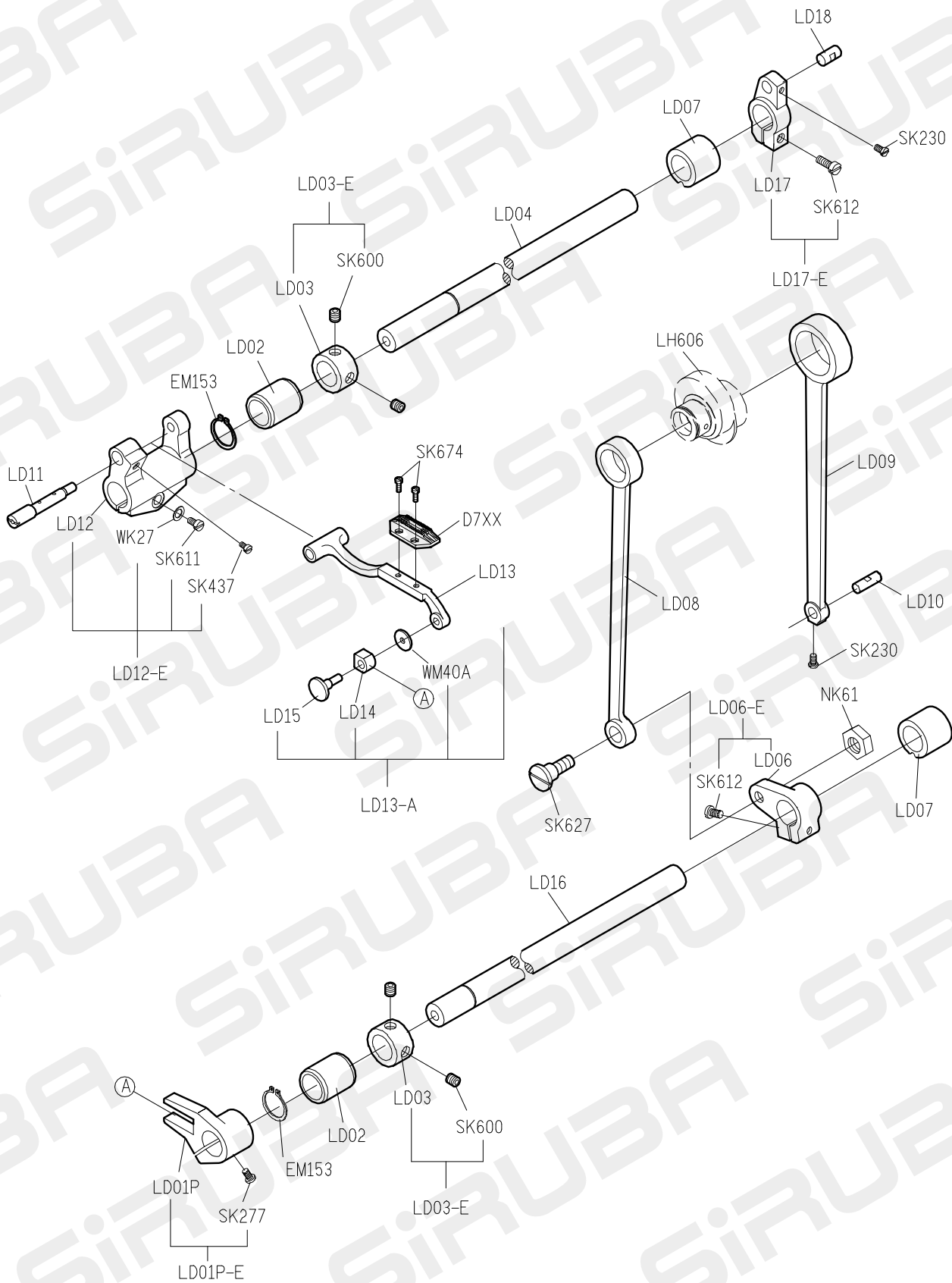
A

B

C

D

E



1

2

3

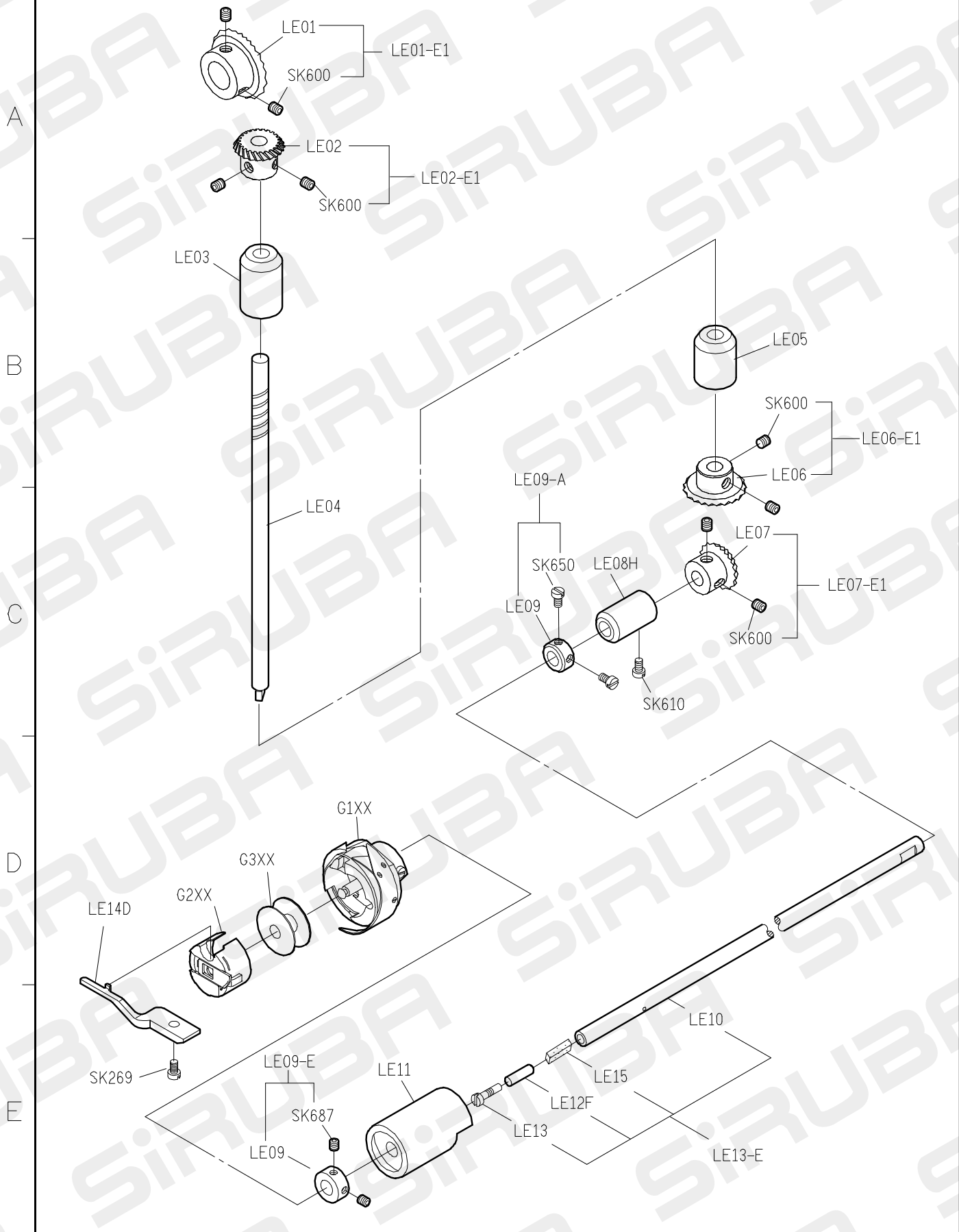
4

5

*FOR DL918-DM1 TRIMMER

10/06/20

DL918-DM1U PARTS LIST FOR LE GROUP P.1/1



1
*FOR DL918-DM1 TRIMMER

5 10/06/20

DL918-DM1U PARTS LIST FOR LG GROUP P.1/1

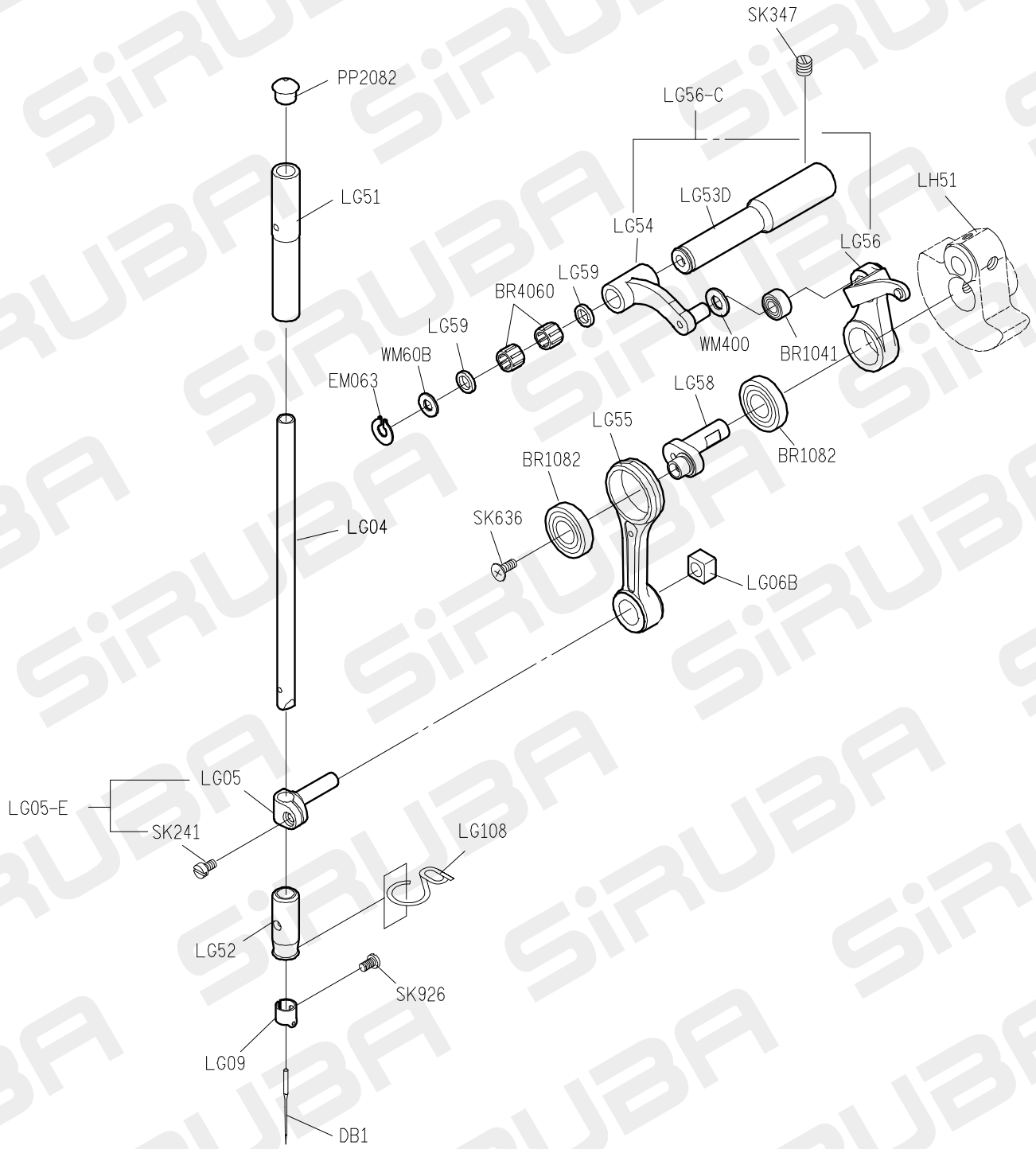
A

B

C

D

E



1

2

3

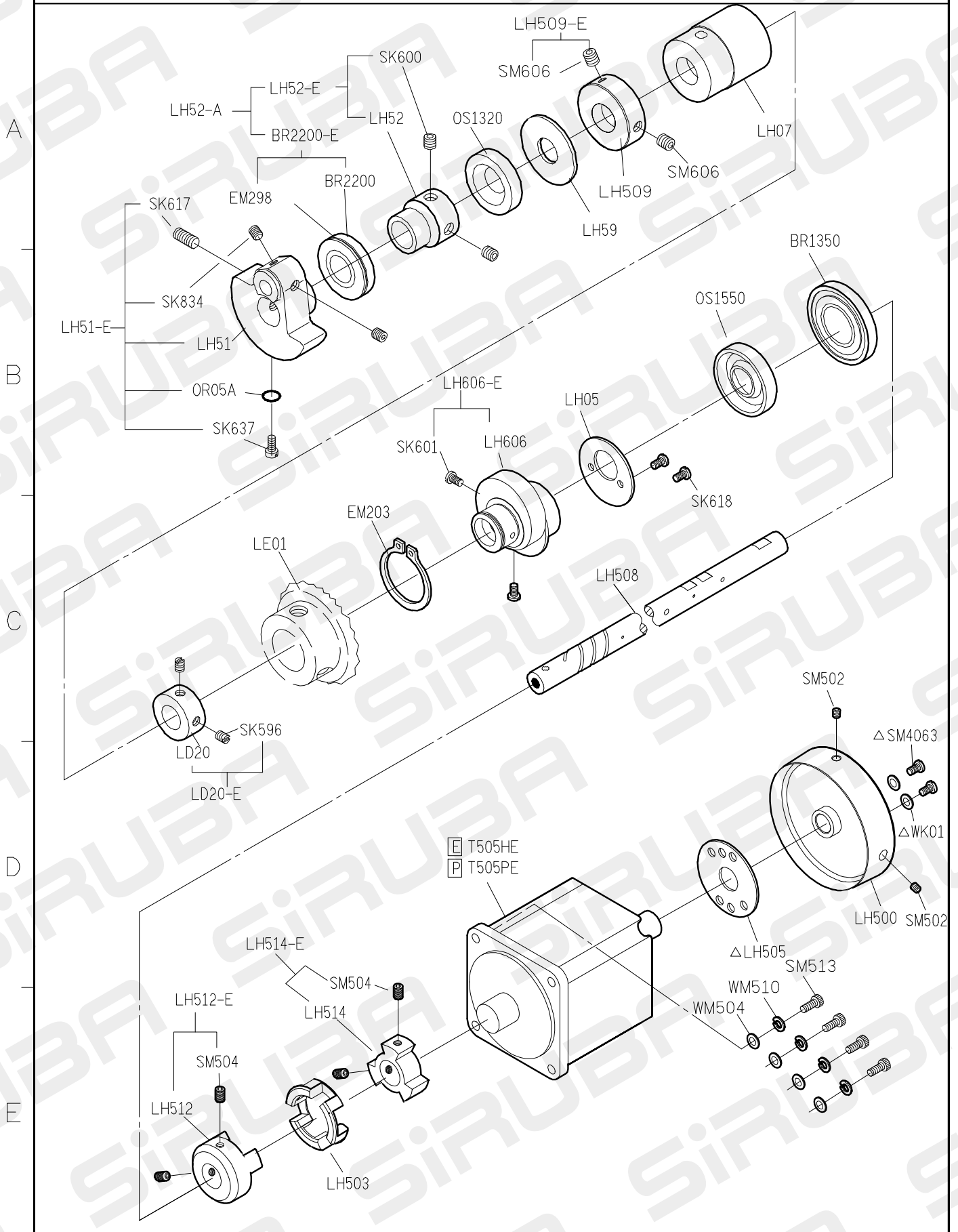
4

5

*FOR DL918-DM1 TRIMMER

10/06/20

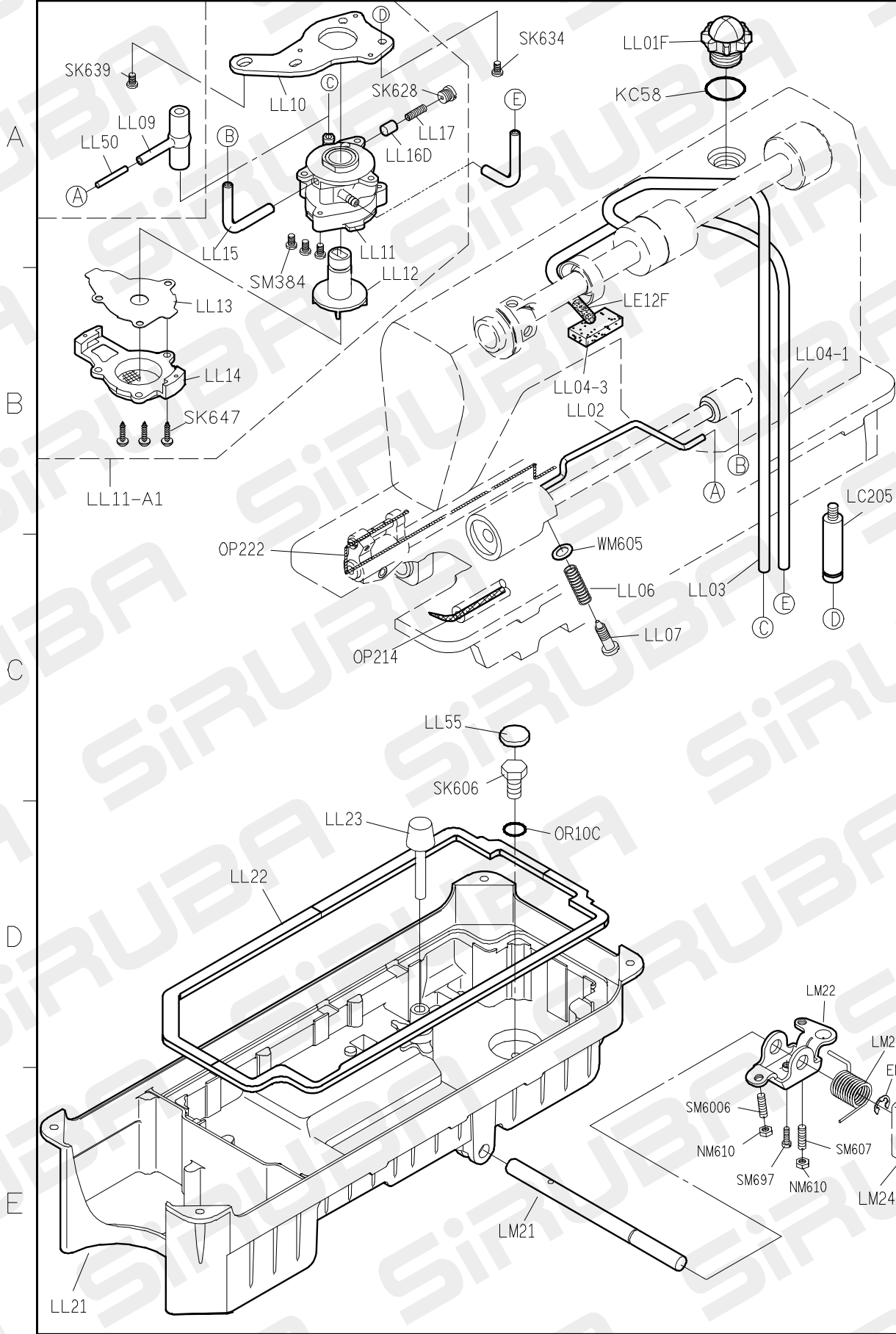
DL918-DM1U PARTS LIST FOR LH GROUP P.1/1



1
*FOR DL918-DM1 TRIMMER
Δ FOR T505PE

5
11/01/25

DL918-DM1U PARTS LIST FOR LL GROUP P.1/1



1
*FOR DL918-DM1 TRIMMER

2

3

4

5

10/06/20

DL918-DM1U PARTS LIST FOR LM GROUP P.1/1

LM20-A

LM24-E

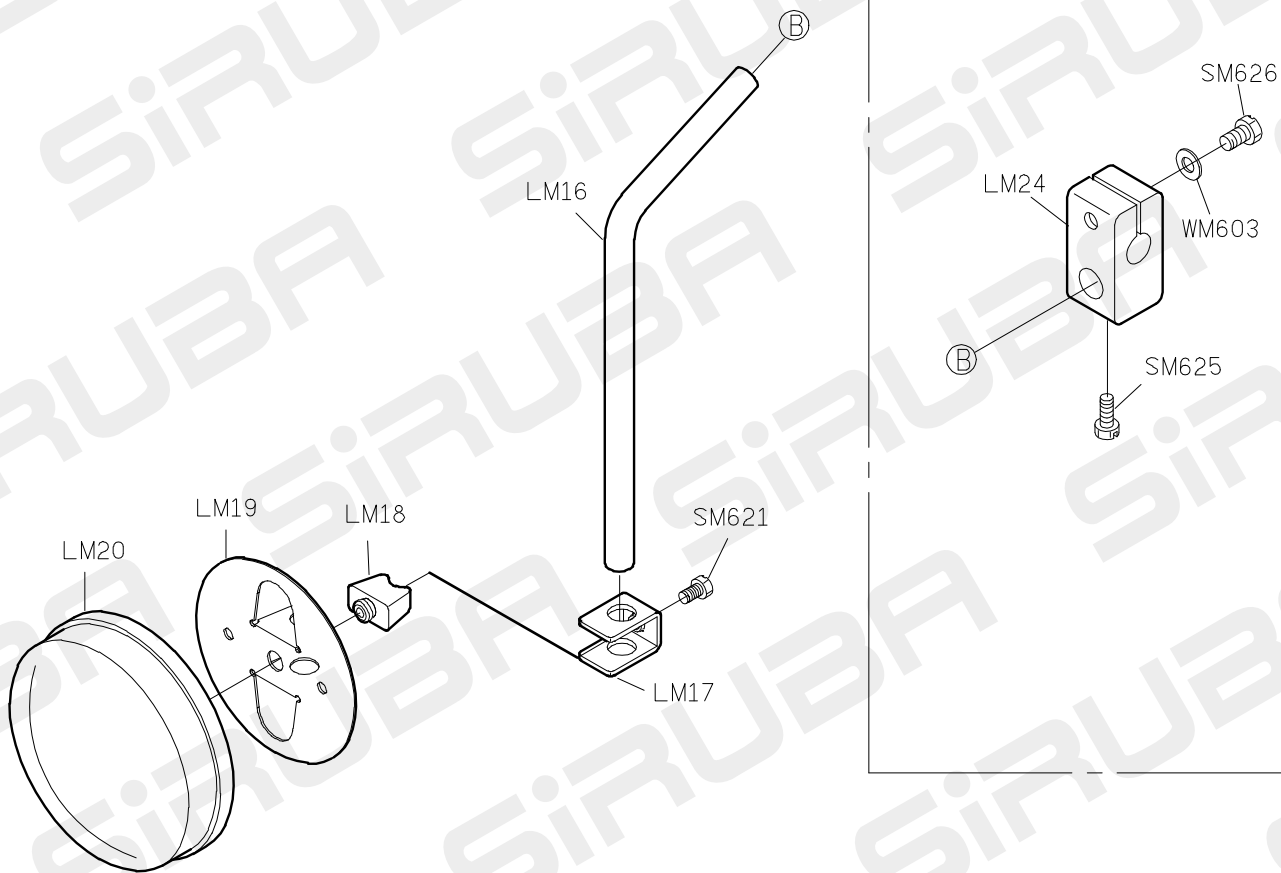
A

B

C

D

E



1

2

3

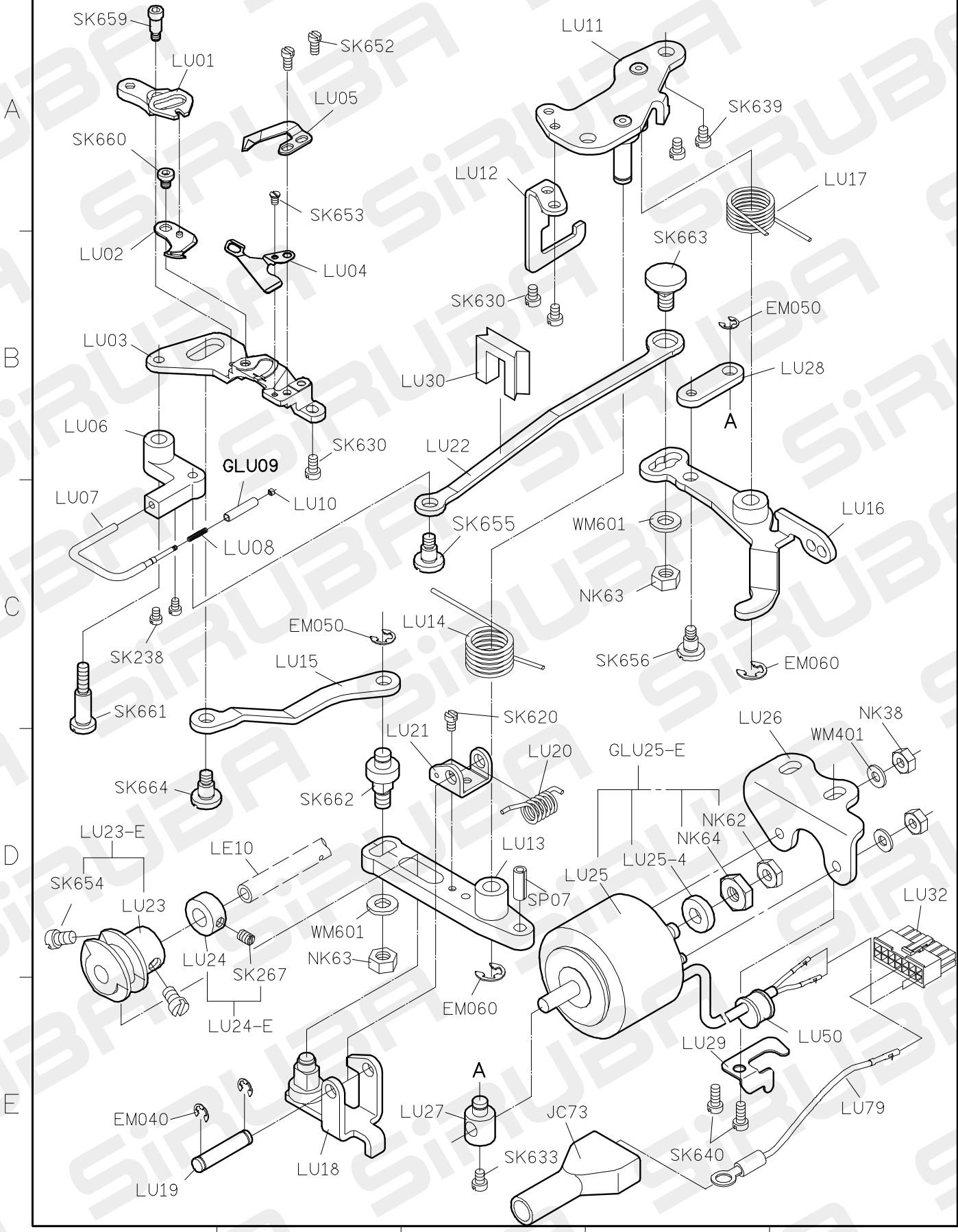
4

5

*FOR DL918-DM1 TRIMMER

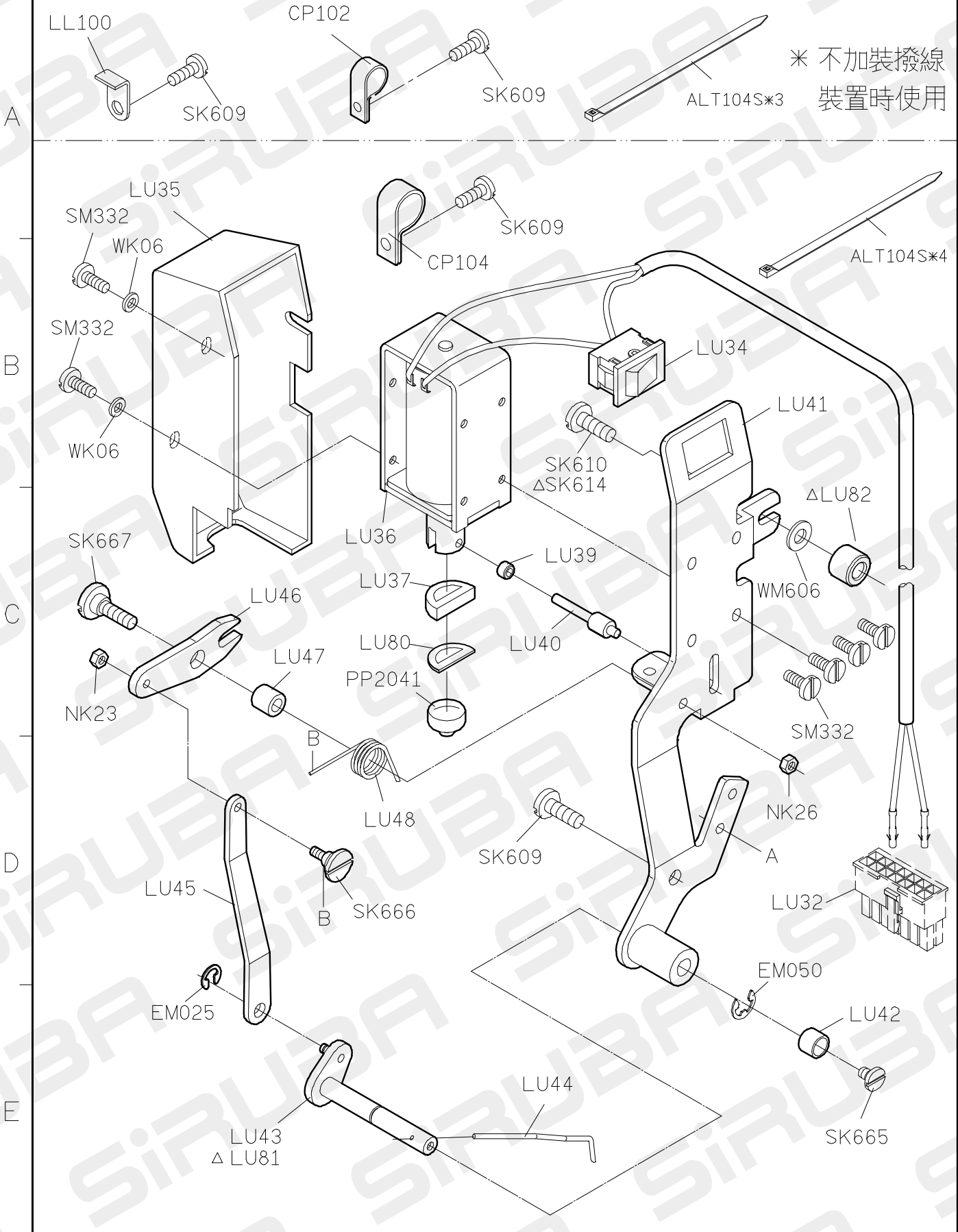
10/06/20

DL918-DM1U PARTS LIST FOR LU GROUP P.1/6



1
 *FOR DL918-DM1 TRIMMER

DL918-DM1U PARTS LIST FOR LU GROUP P.2/6



* 不加裝撥線
裝置時使用

A

B

C

D

E

1

2

3

4

5

*FOR DL918-DM1 TRIMMER

10/06/20

DL918-DM1U PARTS LIST FOR LU GROUP P.3/6

LU64F-A1

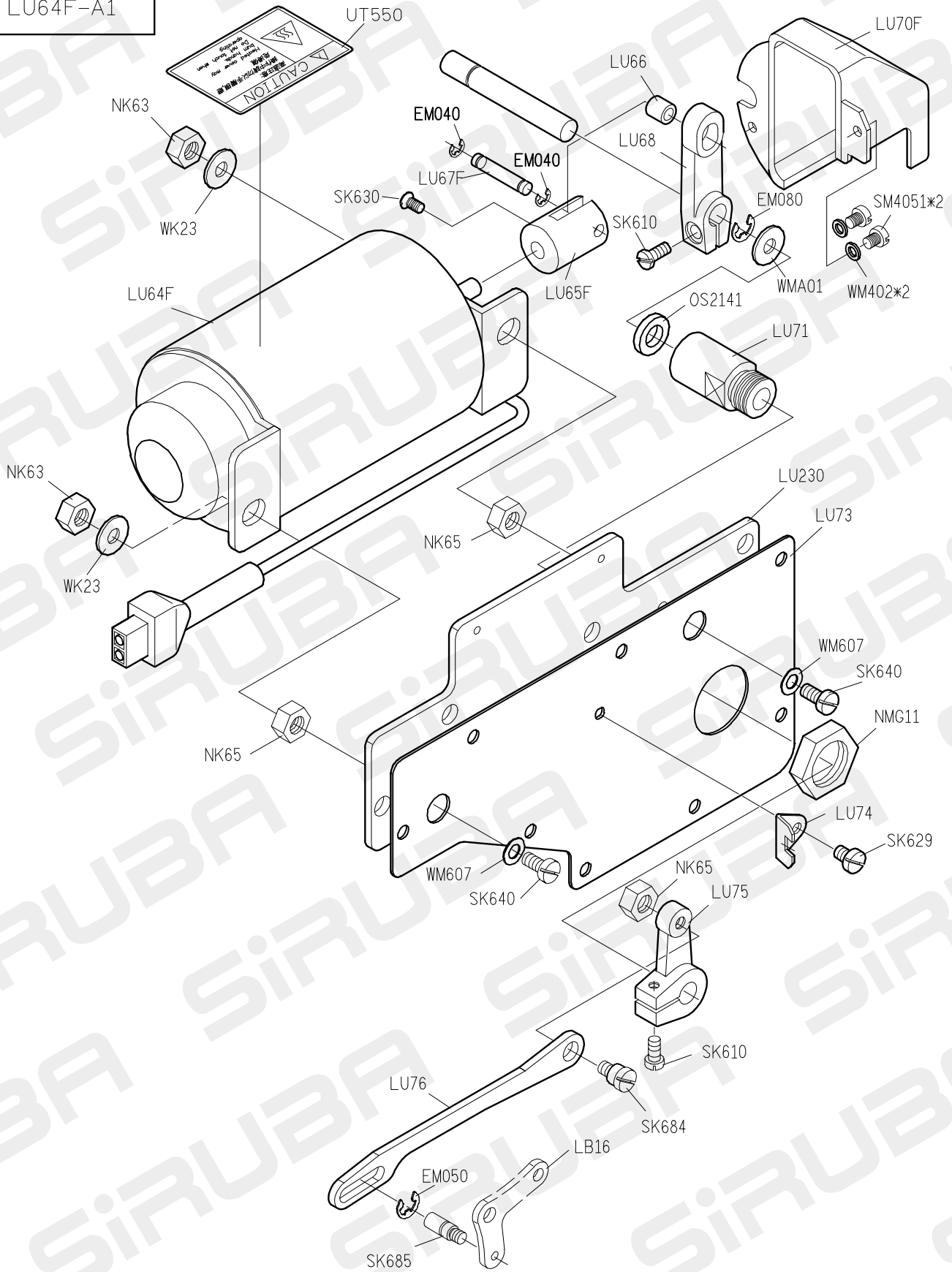
A

B

C

D

E



1

2

3

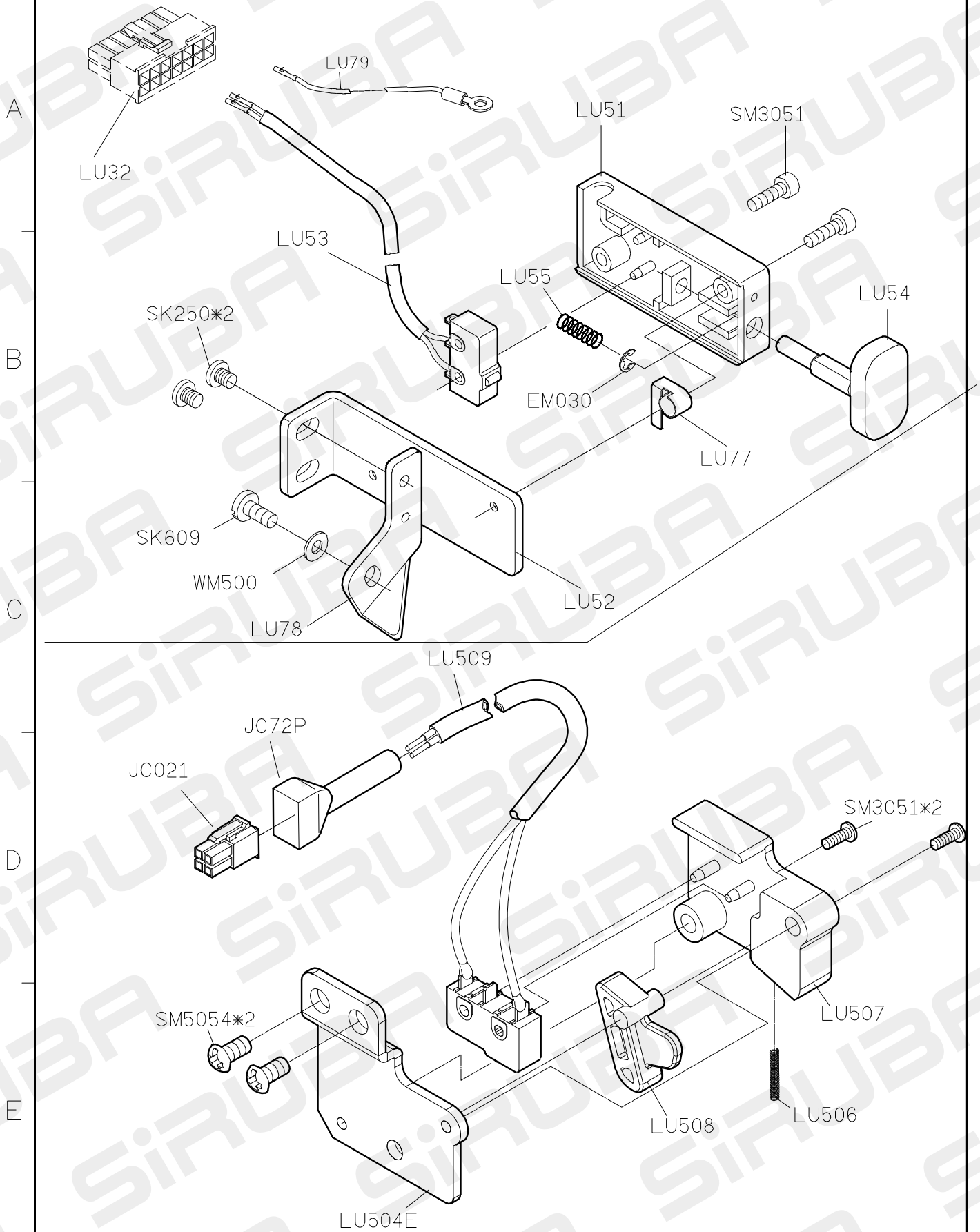
4

5

*FOR DL918-DM1 TRIMMER

10/06/20

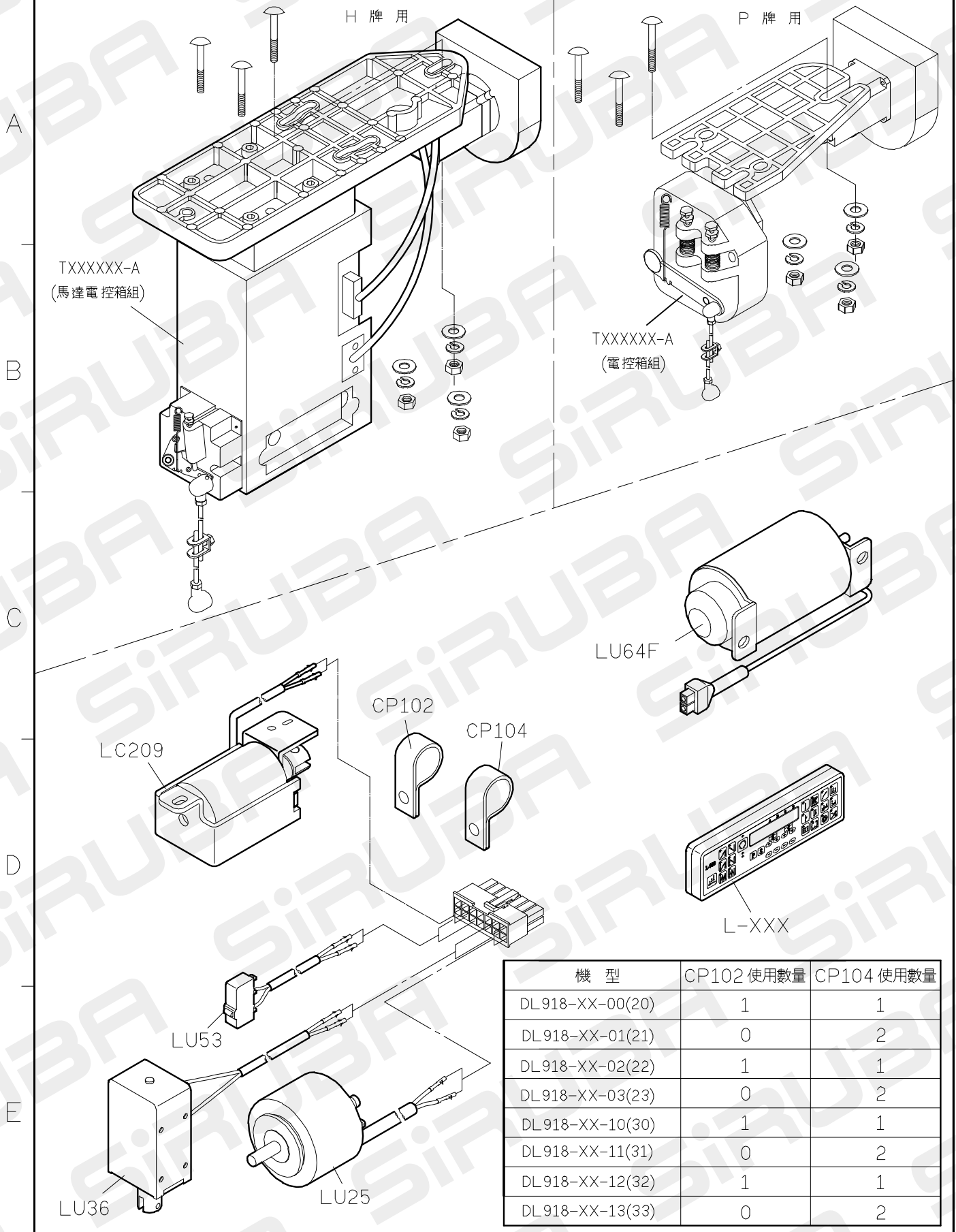
DL918-DM1U PARTS LIST FOR LU GROUP P.4/6



1
*FOR DL918-DM1 TRIMMER

5 10/06/20

DL918-DM1U PARTS LIST FOR LU GROUP P.5/6



機 型	CP102 使用數量	CP104 使用數量
DL918-XX-00(20)	1	1
DL918-XX-01(21)	0	2
DL918-XX-02(22)	1	1
DL918-XX-03(23)	0	2
DL918-XX-10(30)	1	1
DL918-XX-11(31)	0	2
DL918-XX-12(32)	1	1
DL918-XX-13(33)	0	2

1
*FOR DL918-DM1 TRIMMER

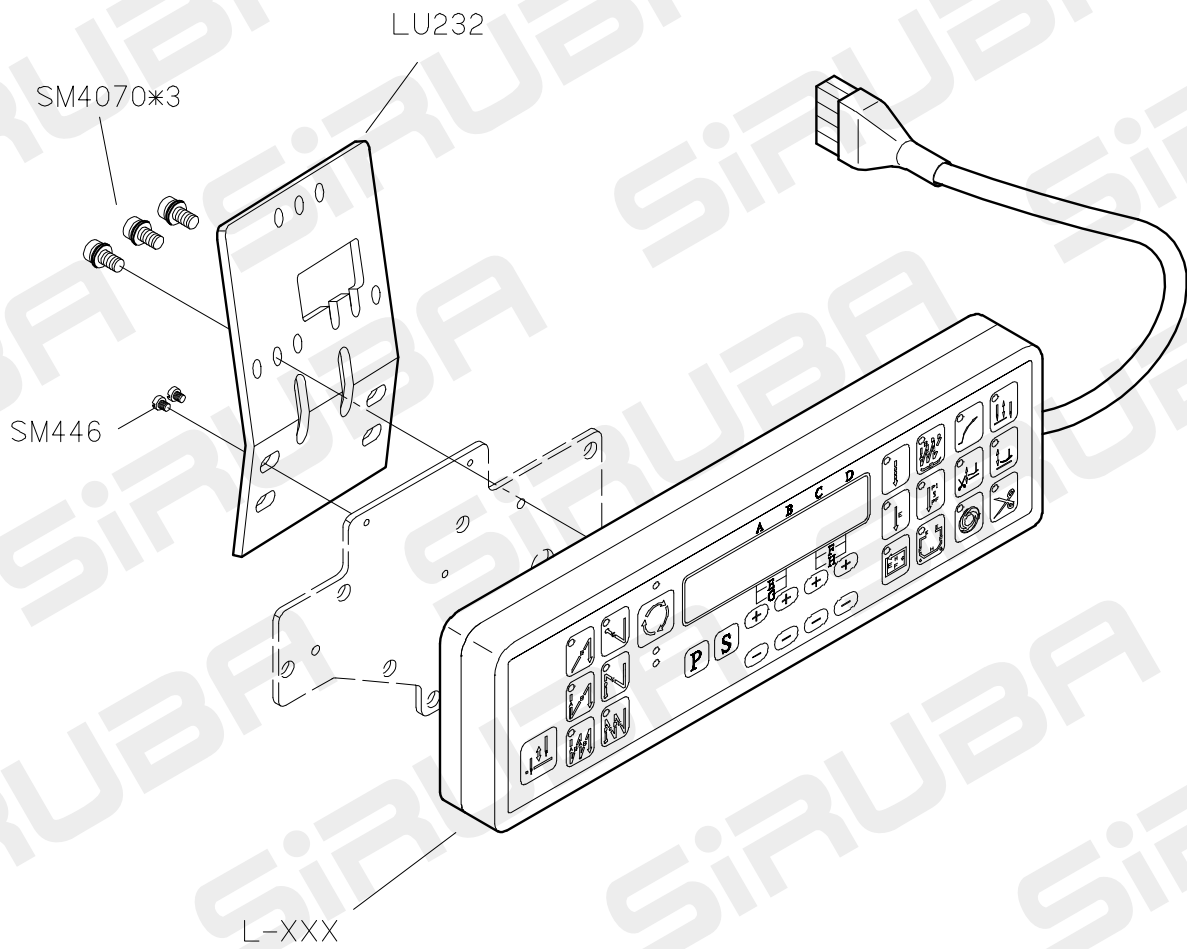
A

B

C

D

E



註：此部份置於配件箱內

1

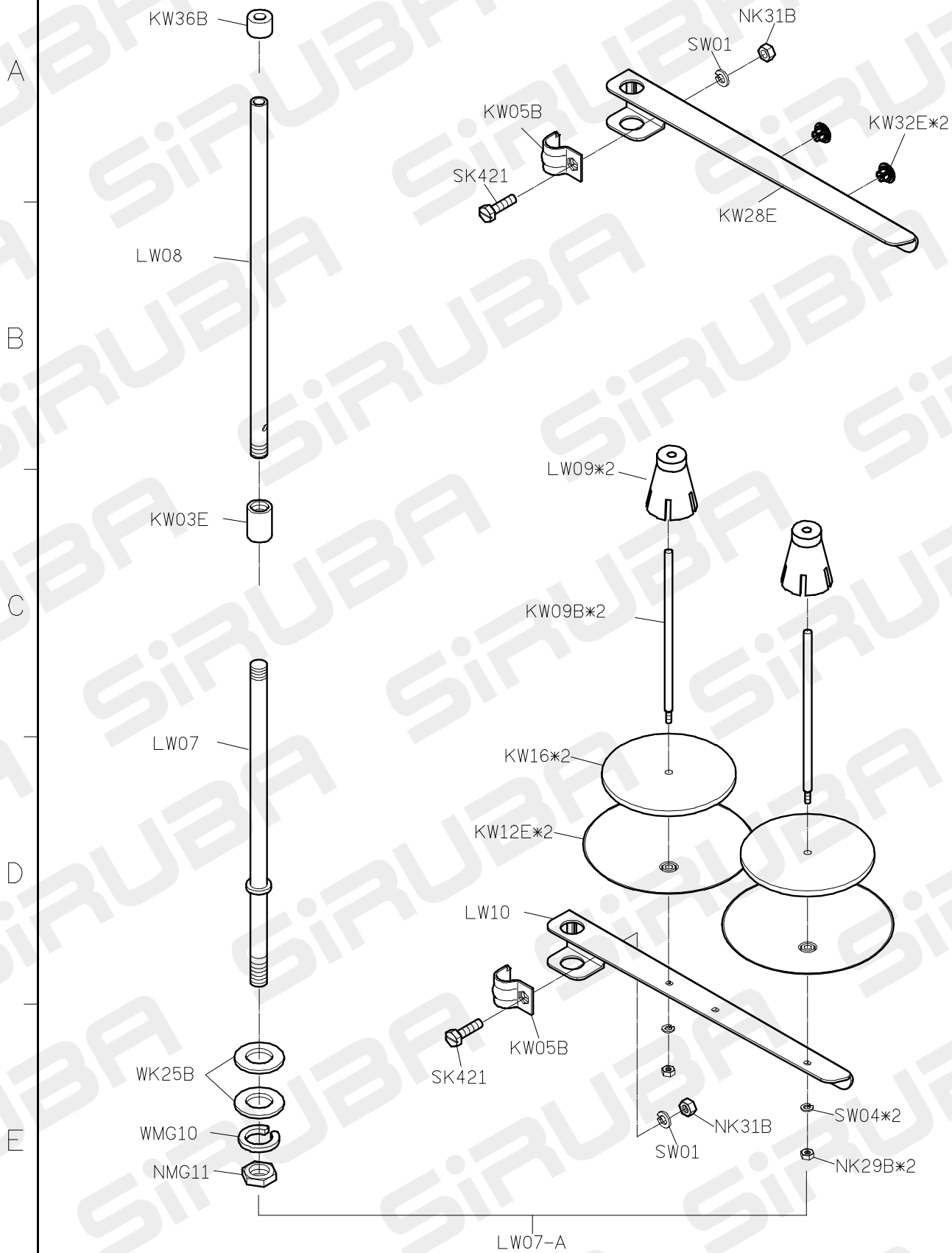
2

3

4

5

DL918-DM1U PARTS LIST FOR LW GROUP P.1/1



1
*FOR DL918-DM1 TRIMMER

2

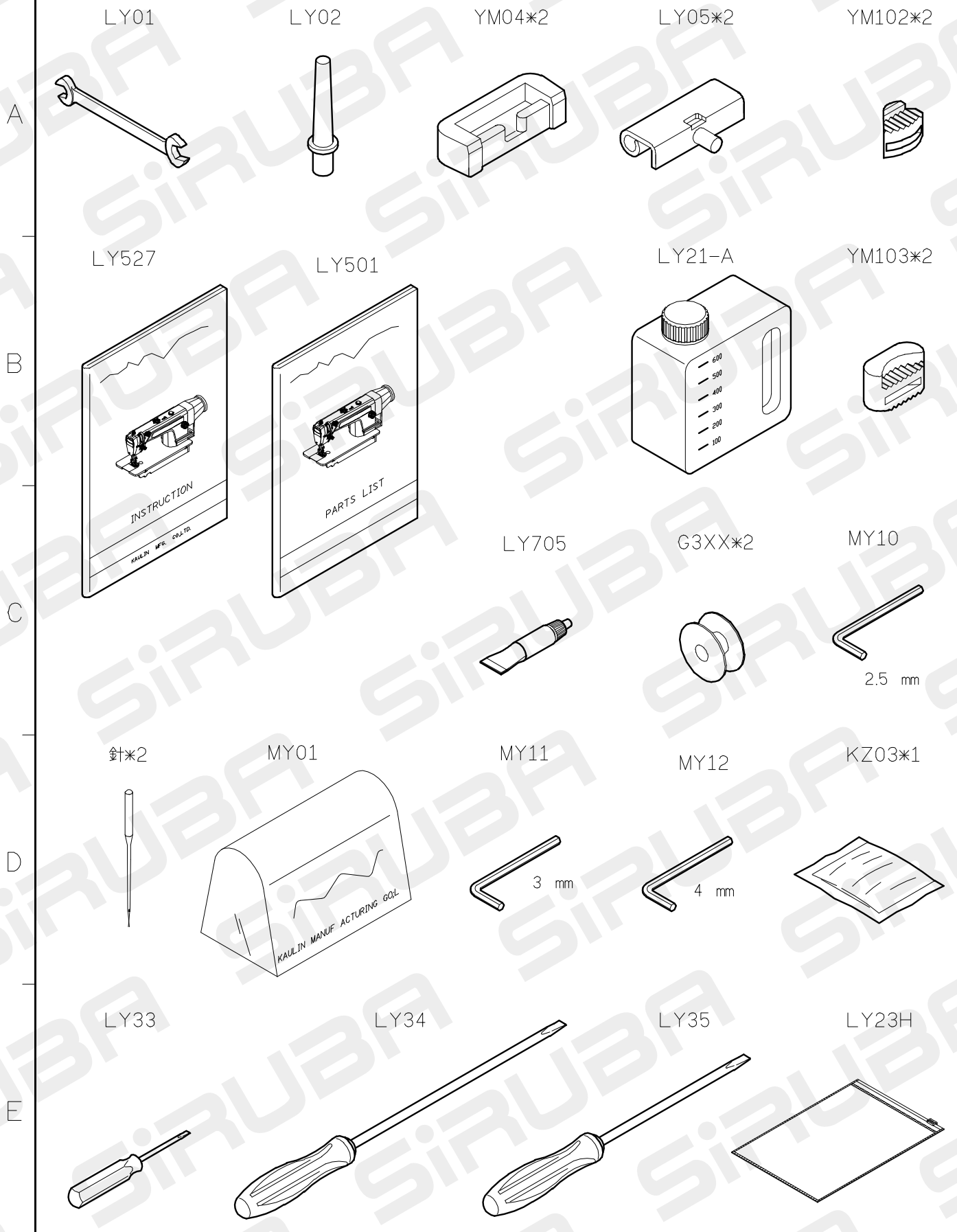
3

4

5

10/06/20

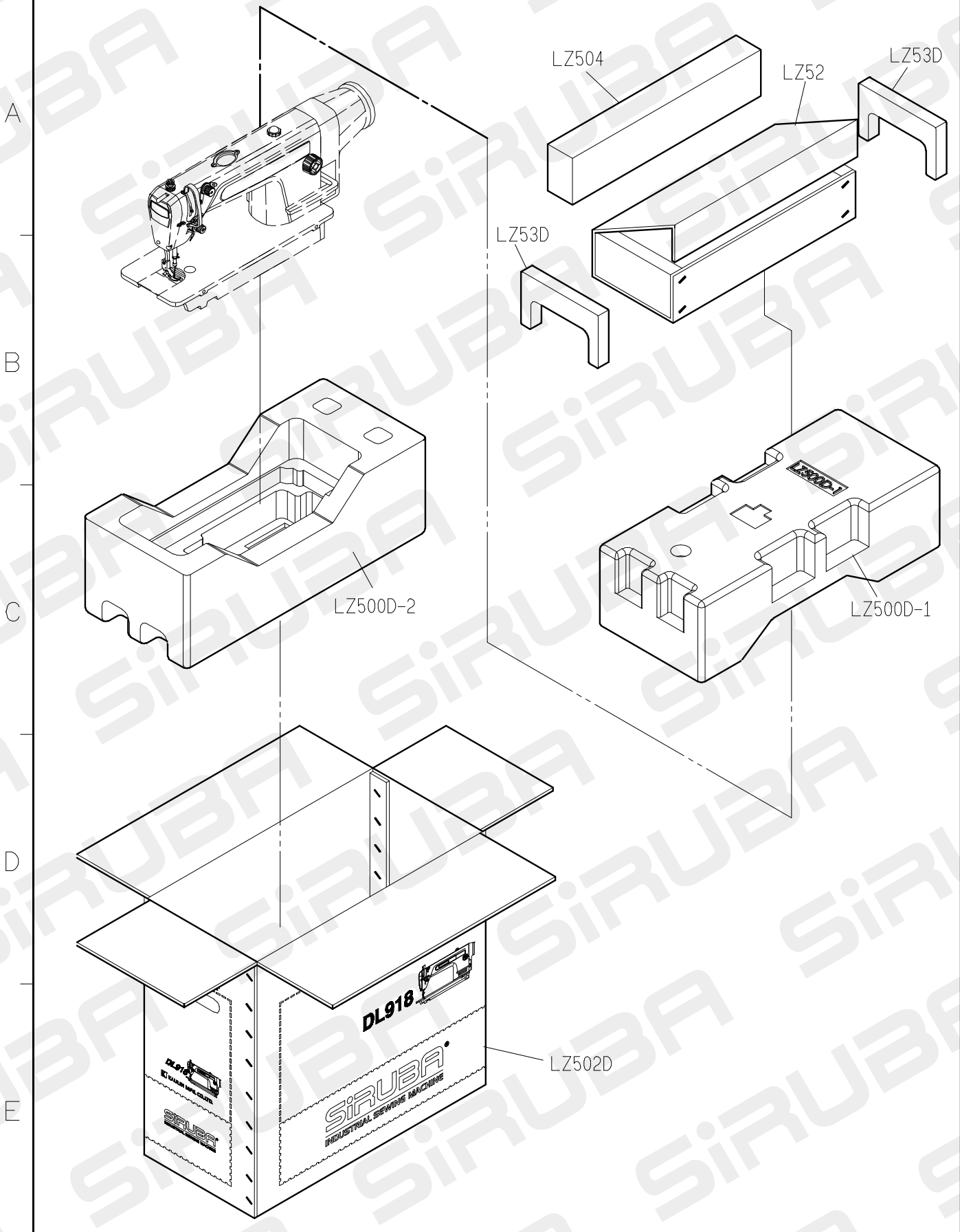
DL918-DM1U PARTS LIST FOR LY GROUP P.1/1



1 2 3 4 5 10/06/20

*FOR DL918-DM1 TRIMMER

DL918-DM1U PARTS LIST FOR LZ GROUP P.1/1



1
*FOR DL918-DM1 TRIMMER

2

3

4

5

10/06/20

TABLE CUT-OUT OF L918-T1

單針高速平縫下乘式車板圖
 TABLE CUT-OUT SEMI-SUBMERGED
 單位/UNIT:mm
 所有尺寸公差/DIFFERENCE:±2
 DL918-T1-1070 長度(L):1070 / 重量:10kg±5%
 DL918-T1 長度(L):1200 / 重量:11.4kg±5%
 全封爐灰格紋光塑面台板

