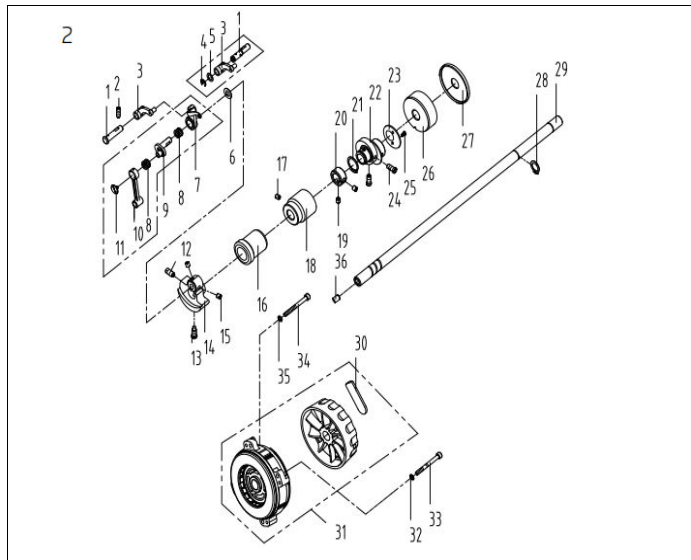


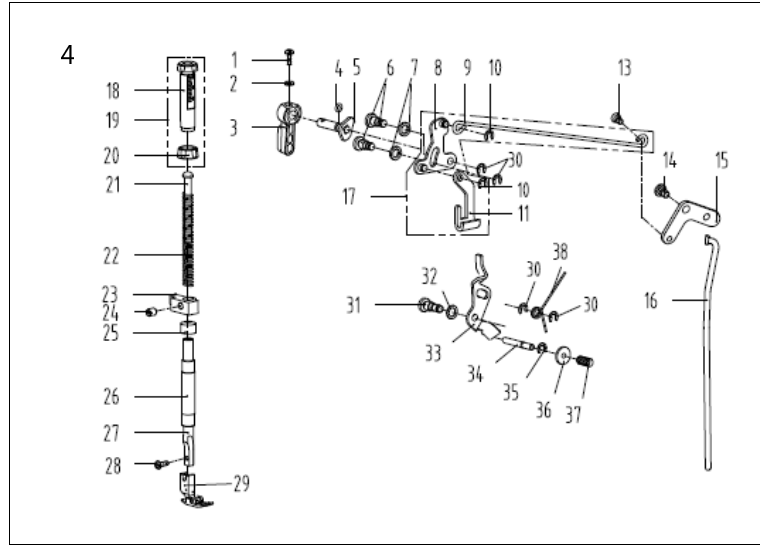
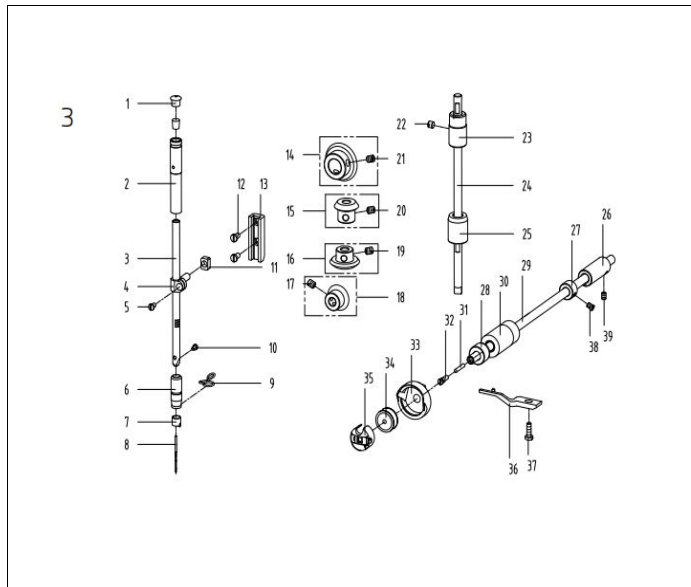
1. 机壳、外装组件/Machine Frame & Miscellaneous Cover Components

序号NO.	公司件号	Part NO.	名称	PartName	零件描述	Description	数量	Number
1	101S1001		后盖板螺钉SM3/16'x28 L=9	Screw SM3/16'x28 L=9			3	
2	10122003		面板调节孔堵塞	Rubber plug			2	
3	13837005		面板卡	Head card			1	
4	302893		面板(喷漆)	Face plate asm			1	
5	1383005		左线钩	Thread guide left			1	
6	101S1007		右线钩螺钉SM11/64'x40 L=6	Screw SM11/64'x40 L=6			1	
7	10122104		面板垫	Face plate gasket			1	
8	10122003		针杆上毡套	Rubber plug			1	
9	10122013		针杆上衬套孔塞	Rubber plug			1	
10	10122005		挑线连杆衬套孔塞	Rubber plug			1	
11	10122004		针杆衬套孔塞	Rubber plug			1	
12	101S1004		挑线杆衬套螺钉SM3/16'x28 L=7	Screw SM3/16'x28 L=7			1	
13	303923		挑线杆衬套盖	Thread take-up lever cover			1	
14	101S1004		挑线杆衬套螺钉SM3/16'x28 L=7	Screw SM3/16'x28 L=7			1	
15	13332004		三孔线钩	3-hole thread guide			1	
16	10122005		挑线杆衬套孔塞	Rubber plug			1	
17	101S1015		翻线杆螺钉SM9/64'x40 L=6	Screw SM9/64'x40 L=6			2	
18	11419001		翻线刀	Knife			1	
19	20722002		油漆	Rubber plug			1	
20	10122113		后盖板垫	Side plate gasket			1	
21	303617		后盖板(喷漆)	Side plate			1	
22	101S1001		后盖板螺钉SM3/16'x28 L=9	Screw SM3/16'x28 L=9			11	
23	11453001		螺栓(内六角)	Screw M5x20			3	
24	11453001		螺母电机螺钉M5x20	Screw M5x20			3	
25	10133203		EF3-25A平缝一体机控制器(T15)	Electronic control box			1	
26	10122006		送料调节垫孔塞	Rubber plug			1	
27	10122007		下轴工艺孔塞	Rubber plug			1	
28	101S1001		底座支柱	Machine head stud Electronic			4	
29	W06001		双面毡垫圈	Washer			1	
30	1013041		二眼线钩	2-hole thread guide			1	
31	206511002		螺钉	Screw			1	
32	1013004		右线钩	Thread guide right			1	
33	101S1007		右线钩螺钉SM11/64'x40 L=6	Screw SM11/64'x40 L=6			1	
34	101S1006		螺钉SM15/64'x28 L=7	Screw SM15/64'x28 L=7			1	
35	11326012		松线钉	Tension release pin			1	
36	10122014		挑线调节器O型圈	Rubber ring			1	
37	101S1005		挑线调节螺钉SM9/64'x40 L=5.5	Screw SM9/64'x40 L=5.5			1	
38	10127001		挑线簧(厚料)	Thread take-up spring			1	
39	10120311		挑线簧(厚料)	Thread take-up spring(H)			1	
39	10120311		挑线簧(厚料)	Thread tension base			1	
40	1012005		挑线簧调节座	Thread tension base			2	
41	1012006		松线板	Disk stopper			1	
42	101S3002		实线螺钉	Thread tension post			1	
43	10127002		实线簧圈	Thread tension spring A			1	
43	11427050		实线簧圈(厚料)	Thread tension spring A (H)			1	
44	1012007		实线簧圈板	Thread disk rotating stopper			1	
45	13856013		实线螺母	Thread tension nut			1	
46	138300500		实线簧圈板	Thread tension asm.			1	
46	138300700		实线簧圈板(厚料)	Thread tension asm.(H)			1	
47	1141901		固定O型圈线钩	Thread guide			1	
48	401S16001		螺母SM9/64'x40	Nut SM9/64'x40			1	
49	10457002		针板螺钉(进口) SM11/64'x40	Screw SM11/64'x40			2	
50	101S1006		定做专用针板(扩大缝初范围)	Needle plate			1	
50	1135001		针板(厚料)	Needle plate(H)			1	
51	11414001		针板(-7)	Needle plate			1	
51	101S1009		推板	Slide plate			1	
52	10127009		推板簧	Slide plate spring			1	
53	101S1019		推板簧螺钉SM3/32'x56 L=2	Screw SM3/32'x56 L=2			2	
54	W01009		GB/T191-1.1985垫圈 5	Washers			4	



2. 上轴挑线分组件/Main Shaft & Thread Take-up Components

序号NO.	公司件号	Part NO.	名称	PartName	零件描述	Description	数量	Number
1	10126001		挑线连杆销(厚料)	Thread take-up connecting rod pin(H)			1	
1	11326013		挑线连杆销	Thread take-up connecting rod pin			1	
1	1326010		挑线连杆销(-7)	Thread take-up connecting rod pin			1	
2	101S1001		上轴螺钉 SM15/64'x28 L=15	Screw SM15/64'x28 L=15			1	
3	101S0501		挑线连杆销(厚料)	Thread take-up connecting rod(H)			1	
3	11305010		挑线连杆销	Thread take-up connecting rod			1	
4	H05013		GB/T896-1986垫圈	Snap ring			1	
5	11328010		垫片	washer			1	
6	1012003		针杆衬套保护板	Needle bar crank protecting plate			1	
7	1013800100		挑线杆分组件	Thread take-up lever asm.			1	
7	1133800200		挑线杆分组件(-7)	Thread take-up lever asm.(H)			1	
8	10124001		挑线杆衬套轴承	Needle bearing			1	
9	11310012		挑线簧分组件	Thread take-up crank			1	
9	1011000400		挑线簧分组件(厚料)	Thread take-up crank(H)			1	
9	11310010		挑线簧分组件(-7)	Thread take-up crank			1	
10	10105002		针杆连杆	Needle bar connecting rod			1	
11	101S1001		挑线簧螺钉(左旋)	Screw			1	
12	101S1004		针杆衬套螺钉 SM9/32'x28 L=16	Screw SM9/32'x28 L=16			1	
13	101S1003		针杆衬套定位螺钉 SM9/32'x28 L=16	Screw SM9/32'x28 L=16			1	
14	10404035		针杆衬套	Needle bar crank(H)			1	
14	11404035		针杆衬套(厚料)	Needle bar crank(H)			1	
15	101S1002		送料轴衬套螺钉 SM1/4'x40 L=6	Screw SM1/4'x40 L=6			2	
16	101300400		送料轴衬套组件	Main shaft bushing front			1	
17	101S1006		送料轴衬套螺钉 SM15/64'x28 L=7	Screw SM15/64'x28 L=7			1	
18	12203002		主轴中轴套	Main shaft bushing mid			1	
19	101S14001		上轴衬套螺钉 SM1/4'x40 L=6	Screw SM1/4'x40 L=6			2	
20	10108001		上轴衬套	Main shaft thrust collar			1	
21	H03002		挡圈20	Snap ring 20			1	
22	11310014		送料偏心轮	Feed eccentric cam			1	
22	4000006		送料偏心轮(厚料)	Feed eccentric cam (H)			1	
23	1012017		送料偏心轮盖板	Cover plate			1	
24	101S1013		送料轴衬套螺钉 SM1/4'x40 L=13	Screw SM1/4'x40 L=13			2	
25	101S1005		护针片螺钉 SM9/64'x40 L=5	Screw SM9/64'x40 L=5			2	
26	10103026		上轴后轴套	Main shaft bushing rear			1	
27	10122105		上轴后轴指油封	Oil seal			1	
28	H03001		GB/T894-1.1986挡圈15	Snap ring 15			1	
29	10102035		上轴	Main shaft			1	
30	13810400		手轮胶套	Handwheel table			1	
31	10133050		BRC-MF4-25A平缝一体机电机	Motor			1	
32	GB/T193-1987		弹簧5	Spring washer 5			3	
33	114513001		直短电机螺钉 M5x20	Screw M5x20			3	
34	505278		内六角螺母 M5x22 (镀锌)	Screw M5x22			1	
35	GB/T193-1987		弹簧5	Spring washer 5			1	
36	10122012		上轴孔塞	Rubber plug			1	



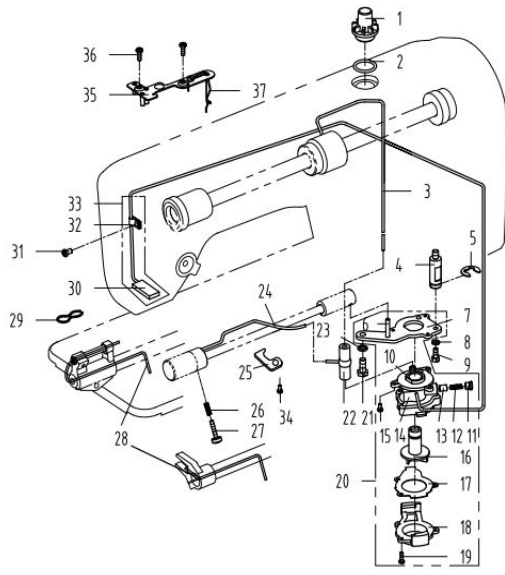
4. 压料分组件/Presser Bar Components

序号NO.	公司件号	Part NO.	名称	PartName	零件描述	Description	数量	Number
1	101S1010		压脚调节螺钉 SM9/64'x40 L=11	Screw SM9/64'x40 L=11			1	
2	10128002		压脚调节垫圈	Washer			1	
3	13811029		压脚调节垫圈	Hand lifter			1	
4	001004		O型圈	Rubber ring			1	
5	101100200		压脚调节手轮分组件	Hand lifter cam asm.			1	
6	101S20001		前杆杆螺钉	Screw			2	
7	10128015		螺栓垫圈胶垫圈(厚)	Washer(H)			2	
8	101200100		压脚前杆分组件	Lift front lever component			1	
9	1012013		压脚前杆	Knee lifter pull rod			1	
10	H05003		GB/T896-1986挡圈 5	Snap ring			2	
11	1012010		压脚升降板	Lifting plate			1	
13	101S20004		压脚前杆螺钉 SM3/16'x32	Hinge screw SM3/16'x32			1	
14	101S20003		后杆杆轴位螺钉 SM15/64'x28	Hinge screw SM15/64'x28			1	
15	1012014		压脚后杆	Knee lifter back lever			1	
16	1012015		压脚后杆	Knee lifter connecting rod			1	
17	101200100		压脚前杆杆组件	Knee lifter lever asm			1	
18	13811027		调压螺钉	Press regulating screw			1	
19	1381102700		调压螺钉组件	Presser regulating screw nut asm.			1	
20	13811028		调压螺母	Press regulating nut			1	
21	10102003		调压螺母	Press regulating guide bar			1	
22	11427033		调压簧	Press regulating spring			1	
23	13809300		压杆螺母	Presser bar guide bracket			1	
24	101S1007		压杆衬套螺钉 SM1/4'x40 L=8	Screw SM1/4'x40 L=8			1	
25	10122112		压杆衬套油套	Pressure bar oil cover			1	
26	10103012		压杆衬套	Presser bar bushing/low			1	
27	10102042		压杆衬套	Presser bar			1	
28	101S1009		压脚轴位螺钉 SM9/64'x40 L=10.5	Screw SM9/64'x40 L=10.5			1	
29	1131600600		压脚组件	Presser foot asm			1	
29	1131600100		压脚组件(厚)	Presser foot asm(H)			1	
31	11329020		压脚簧	Snap ring			5	
31	101S20002		松线板螺钉	Wire release plate pin			1	
32	10128015		螺栓垫圈胶垫圈(厚)	Washer(H)			1	
33	1012012		松线板板	Wire release plate asm			1	
34	10126003		送料轴支持杆	Thread release supporting pin			1	
35	H05012		松线轴挡圈	Snap ring			1	
36	10128011		松线轴挡圈	Washer plate			1	
37	10127003		松线轴挡圈	Spring			1	
38	H05003		挡圈5	Snap ring			2	
39	10127008		松线板复位簧	Spring			1	
40	1019100100		割线刀组件	Knife			1	

3. 针杆、竖轴、下轴部件/Needle Bar, Upright Shaft & Hook Driving Shaft Components

序号NO.	公司件号	Part NO.	名称	PartName	零件描述	Description	数量	Number
1	10122013		针杆上衬套孔塞	Rubber plug			1	
2	10103009		针杆上衬套	Needle bar bushing upper			1	
3	10102041		针杆	Needle bar			1	
4	10102021		针杆(厚料)	Needle bar (H)			1	
4	10138012		针杆衬套	Needle bar connecting rod			1	
5	101S1005		螺钉 SM9/64'x40 L=6	Screw SM9/64'x40 L=6			1	
5	10103010		针杆下衬套	Needle bar bushing lower			1	
6	11303023		针杆下衬套(厚料, -7)	Needle bar bushing lower(H)			1	
7	1013002		针杆线钩	Needle bar thread guide			1	
7	11412063		针杆线钩(厚料)	Needle bar thread guide(H)			1	
8	1017001		针杆DPx5P21(厚料)	Needle			1	
8	1017002		针杆DPx5P21(厚料)	Needle(H)			1	
9	10413001		针杆下轴套线钩	Lower bushing thread guide			1	
9	1013009		针杆下轴套线钩(厚料, -7)	Lower bushing thread guide(H)			1	
10	101S1006		支针螺钉(进口) SM1/8'x44 L=4.5	Screw SM1/8'x44 L=4.5			1	
11	10109001		针杆连接柱滑块	Slide block			1	
12	101S1008		滑块钩头螺钉 SM1/64'x40 L=8	Screw SM1/64'x40 L=8			2	
13	10109002		针杆钩头滑块导轨	Needle bar guide			1	
14	10425004		上轴全齿轮	Upper shaft bevel gear			1	
1								

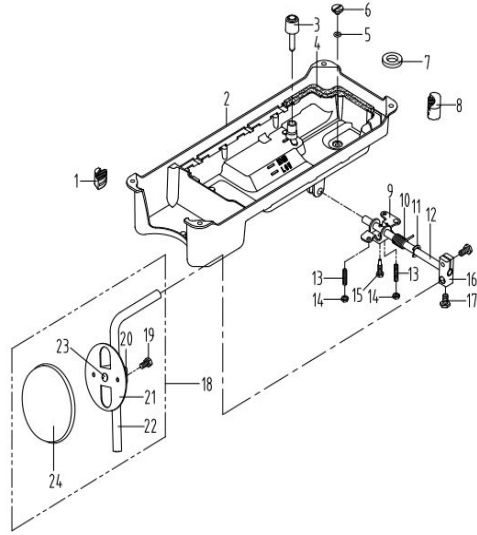
6



7. 绕线器组件 / Bobbin Components

序号NO.	公司件号	Part NO.	名称	PartName	零件描述	Description	数量	Number
1	1383103900		绕线器组件		Bobbin winder asm.		1	
2	14571008		螺钉M4x6		Screw M4x6		1	
3	GB/T917.1		垫圈4		Washer		1	
4	10113030		压线控制板		Thread press control plate		1	
5	10111120		绕线衬垫		Winding pad		1	
6	13831101		绕线器装置底座		Bobbin winder bed		1	
7	GB/T 896-1986		开口挡圈		Snap ring		1	
8	10127061		复位板拉簧		Spring		1	
9	13882110		调节板		Regulating plate		1	
10	10110030		绕线凸轮		Bobbin winder cam		1	
11	509045		螺钉		Screw		1	
12	1380510600		绕线器连杆组件		Bobbin winder connecting rod		1	
13	13827103		绕线复位簧		spring		1	
14	10127060		弹簧		Spring		1	
15	GB/T 896-1986		开口挡圈		Snap ring		1	
16	13802111		绕线器主轴		Bobbin winder main shaft		1	
17	13802026		绕线凸轮轴		Bobbin winder cam shaft		1	
18	509103		绕线凸轮轴		Screw		2	
19	13831102		绕线轮		Bobbin winder wheel		1	
20	00110		O形圈		Ring		1	
21	1422062		垫圈		Washer		1	
22	14571003		螺钉SM3/16'x28 L=10		Screw SM3/16"x28 L=10		3	
23	1381300600		弦线夹线器		Bobbin thread tension asm.		1	
24	13811004		夹线螺母		Thread tension nut		1	
25	1427006		小夹线弹簧		Spring		1	
26	1412005		夹线板		Thread tension disk		2	
27	1413022		夹线过线板		Thread tension guide plate		1	
28	142513004		夹线螺钉		Screw		1	
29	14516001		螺母SM11/64'x40		Nut SM11/64"x40		1	
30	1435013		绕线器驱动轮		Driving wheel		1	
31	510009		螺钉M6x8		Screw M6x8		2	

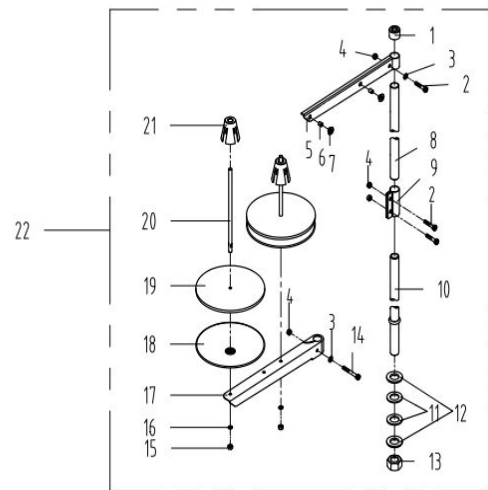
8



8. 油盘、膝抬压脚分组件/Oil Reservoir, Knee Lifter Components

序号NO.	公司件号	Part NO.	名称	PartName	零件描述	Description	数量	Number
1	10122022		油盘垫块		Oil reservoir rubber cushion		2	
2	10101006		油盘		Oil reservoir		1	
3	1011005		抬压脚推杆		Knee lifter push rod		1	
4	10122020		油盘垫圈		Oil Reservoir gasket		1	
5	10122021		O形圈		Rubber ring		1	
6	10151028		排油孔螺钉SMS/16'x24 L=7		Screw SMS/16"x24 L=7		1	
7	10131001		油盘磁铁		Oil reservoir magnet		1	
8	10122023		油盘支架		Oil reservoir rubber cushion		2	
9	1012027		抬压脚双向曲柄		Knee lifter crank		1	
10	10127016		双向曲柄拉簧		Knee lifter spring		1	
11	105030		GB/T 896-1986挡圈10		Snap ring 10		1	
12	10102011		抬压脚轴		Knee lifter shaft		1	
13	10151012		双向曲柄限位调节螺钉M6 L=30		Screw M6 L=30		2	
14	101516004		双向曲柄限位调节螺母 M6 L=4		Nut M6 L=4		2	
15	10152002		双向曲柄螺钉 M6 L=26		Screw M6 L=26		1	
16	10101008		抬压脚轴承杆节头		Bearing bracket		1	
17	10152003		螺钉M8 L=16		Screw M8 L=16		1	
18	101202800		抬压脚组件		Knee press plate asm.		1	
19	10152004		螺钉M6 L=11		Screw M6 L=11		1	
20	1012030		抬压脚节头		Knee press plate holder		1	
21	1012029		抬压脚板		Knee press plate		1	
22	1012028		抬压脚杆		Knee press plate rod		1	
23	10122025		抬压脚垫		Rubber		1	
24	10122024		抬压脚板软垫		Knee press plate cover		1	

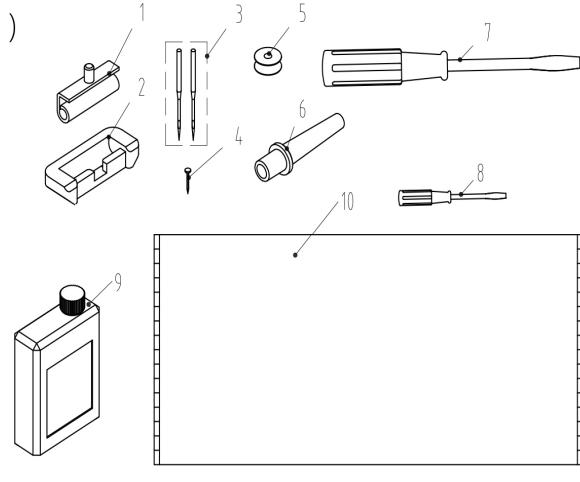
9 (1)



9. 机头附件 (1) /Machine Head Accessories

序号NO.	公司件号	Part NO.	名称	PartName	零件描述	Description	数量	Number
1	20131019		线架杆顶防护橡皮		Spool rest rod rubber cap		1	
2	504050		十字槽型六角头螺栓 M5 L=16		Screw M5 L=16		3	
3	W01047		垫圈M5		Washer M5		2	
4	N01034		螺母M5		Nut M5		4	
5	10112040		上线架过线杆		Thread rest arm upper		1	
6	1013011		过线圈(内)		Thread guide ring		2	
7	1013010		过线圈(外)		Thread guide ring		2	
8	20131001		线架杆上节		Spool rest rod upper		1	
9	20131002		线架杆接头		Spool rest rod joint		1	
10	20131002		线架杆下节		Spool rest rod lower		1	
11	10122106		橡胶垫圈		Spool rest rod rubber ring		2	
12	W01048		垫圈M16		Washer M16		2	
13	N02008		六角薄螺母 M16		Spool rest rod nut M16		1	
14	504051		十字槽型六角头螺栓 M5		Spool rest arm lower screw M5		1	
15	N01034		螺母 M5		Nut M5		2	
16	W03002		弹簧垫圈 M5		Spring washer M5		2	
17	1012057		下线架过线杆		Spool rest arm lower		1	
18	20131007		线架		Spool rest		2	
19	20131010		线架垫		Spool rest cushion		2	
20	20131006		线架钉		Spool rest pin		2	
21	20131008		线架保持垫		Spool rest retainer		2	
22	1013100700		线架组件		Thread stand asm.		1	

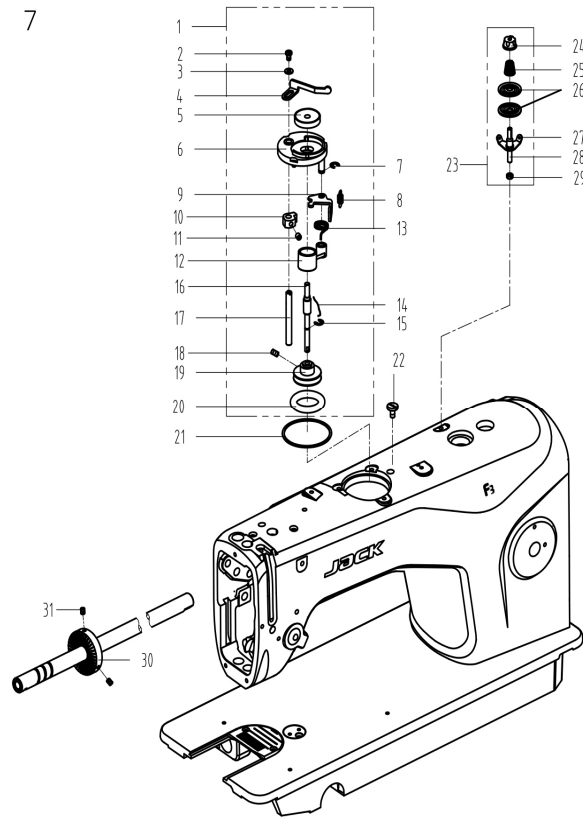
9 (2)



9. 机头附件(2)/Machine Head Accessories(2)

序号NO.	公司件号	Part NO.	名称	PartName	零件描述	Description	数量	Number
1	101203100		机头连接钩部件		Hinge component		2	
2	1012060		机头连接橡胶垫		Head connecting rubber cushion		2	
3	1017012		机针Dx1#14 (薄料)		Needle		4	
3	1017022		机针Dx1#21 (厚料)		Needle		4	
4	101530010		机头连接钩座钉		Nail		4	
5	1018003		梭心		Bobbin		1	
6	101101		机头支柱		Machine head rest pin		1	
7	20731047		螺丝刀(大)		Screw driver large		1	
8	10131004		螺丝刀(小)		Screw driver small		1	
9	101101200		油刷部件		Oiler component		1	
10	40131017		防尘罩		Dust cover		1	

7



6. 润滑、油量检测组件/Oil Lubrication, Oil Measuring Components

序号NO.	公司件号	Part NO.	名称	PartName	零件描述	Description	数量	Number
1	1121004		油窗		Oil sight window		1	
2	10122019		油窗O形圈		Rubber ring		1	
3	11421008		上轴供油管		Main shaft oil tube		1	
4	101530008		油泵连接螺栓		Oil pump connecting stud		1	
5	11329010		开口挡圈10		Snap ring 10		1	
6	10121001		下轴供油管		Hook driving shaft oil tube		1	
7	10121020		油泵安装板		Oil pump installing base		1	
8	W03002		弹簧		Spring washer		1	
9	10151011		压线螺钉SM11/64'x40 L=9.5		Screw SM11/64"x40 L=9.5		1	
10	10103022		油泵体衬套		Oil pump bushing		1	
11	101530007		柱塞螺钉		Plunger Screw		1	
12	10127013		柱塞簧		Plunger spring		1	
13	10122018		回油柱塞		Plunger		1	
14	10120001		油泵体		Oil pump		1	
15	504093		油泵螺钉		Screw		3	
16	10111003		油泵叶轮		Oil pump impeller		1	
17	10121021		油泵叶轮托板		Oil pump impeller cover		1	
18	10111007		油泵盖		Lubricating oil pump cover		1	
19	101530006		螺钉		Screw		3	
20	101200100		油泵分部件		Lubricating oil pump component		1	
21	10151026		油泵安装螺钉SM15/64'x28 L=9		Screw SM15/64"x28 L=9		1	
22	10136001		供油管接头		Rubber joint		1	
23	W02004		GB/T 93-1987垫圈M6		Spring Washer M6		1	
24	10121006		供油管		Hook oil tube		1	
25	1012022		控油供油管压板		Tube holder (lower)		1	
26	10127014		油量调节螺钉弹簧		Spring		1	
27	101530009		油量调节螺钉		Oil volume adjusting screw		1	
28	10423005		油毡		Oil wick		1	
29	10127015		回油毡垫		Oil felt clamp		1	
30	10123006		回油毡		Oil felt felt		1	
31	10151004		换线杆护套螺钉SM3/16'x28 L=7		Screw SM3/16"x28 L=7		1	
32	1012023		回油管夹		Oil tube clamp		1	
33	10121007		回油管部件		Oil return tube component		1	
34	10151026		油泵安装螺钉SM15/64'x28 L=9		Screw SM15/64"x28 L=9		1	
35	1012025		油毡固定板		Oil wick fixing plate		1	
36	10151010		压脚板手螺钉SM9/64'x40 L=11		Screw SM9/64"x40 L=11		2	
37	10123010		油毡		Oil wick		1	

杰克缝纫机股份有限公司
杰克缝纫机
全球销量遥遥领先

公司地址(Address of Company):
台州市椒江区机场南路15号
No.15 Rd Airport South, Jiaojiao District Taizhou City, Zhejiang, P.R.C
邮编(Zip Code): 318000
国内销售部(Domestic Trade Department):
电话(TEL): 0086-0576-88177788 88177789
传真(FAX): 0086-0576-88177758
国际部(International Trade Department):
电话(TEL): 0086-0576-88177782 88177774
传真(FAX): 0086-0576-88177787
服务热线: 400-8876858
http://www.chinajack.com
2018.12
资料如有更改, 恕不另行通知, 以实物为准。
You will be not informed if the file has been revised. Please set sample as standard.



www.chinajack.com