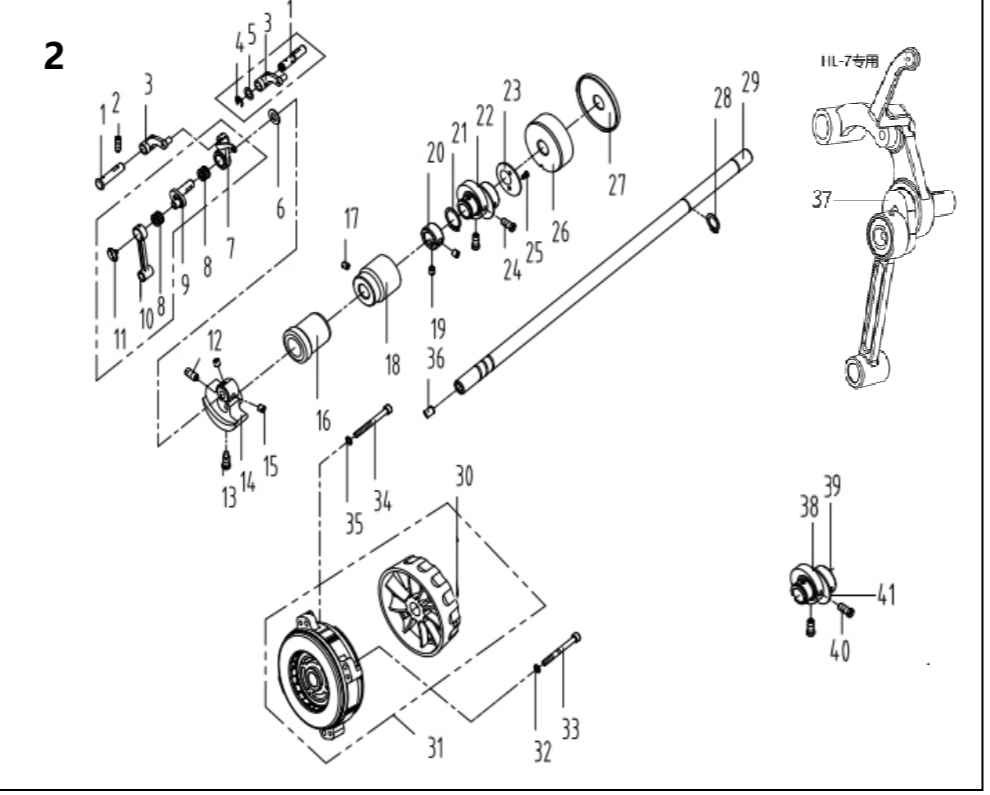


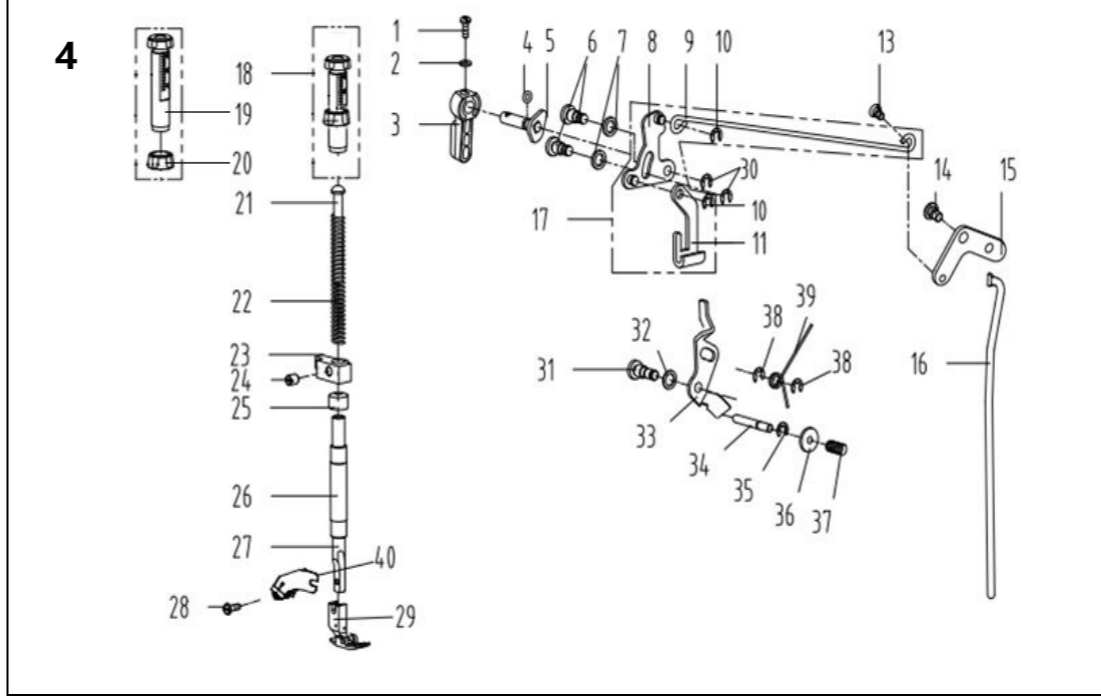
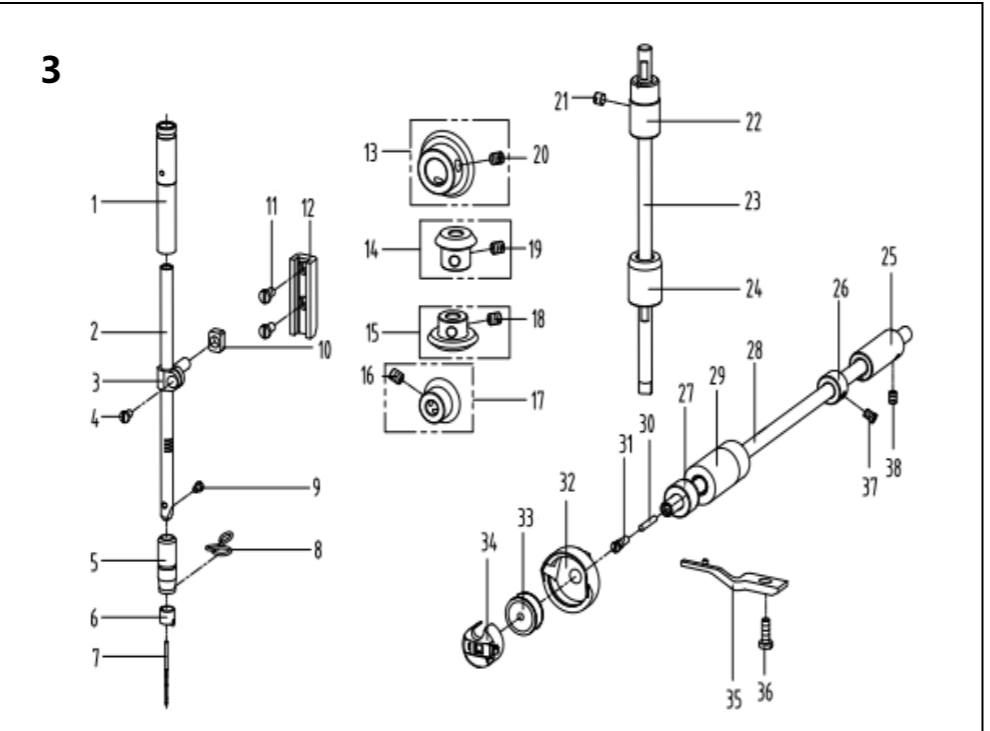
1. 机壳、外装分组件/Machine Frame & Miscellaneous Cover Components

序号 NO	公司件号	Part NO	名称	PartName	零件描述	Description	数量	Number
1	101511001		螺钉SM3/16"×28 L=9	Screw SM3/16"×28 L=9			3	
2	10122003		面板调节孔螺塞	Rubber plug			2	
3	13837002		商标牌	Head card			1	
4	110212002		面板	Face plate			1	
5	13813005		左线钩	Thread guide left			1	
6	101511007		螺钉SM11/64"×40 L=6	Screw SM11/64"×40 L=6			1	
7	115022005		面板垫	Face plate gasket			1	
8	101511027		螺钉SM1/8"×44 L=3.4	Screw SM1/8"×44 L=3.4			1	
9	11412082		面部防油板	Face oil shield asm			1	
10	10123002		针杆上毡套	Rubber plug			1	
11	10122013		针杆上衬套孔塞	Rubber plug			1	
12	10122005		挑线连杆螺塞孔塞	Rubber plug			1	
13	10122004		针杆曲柄螺塞孔塞	Rubber plug			1	
14	101511004		螺钉SM3/16"×28 L=7	Screw SM3/16"×28 L=7			1	
15	13812018		挑线杆防护罩	Thread take-up lever cover			1	
16	101511004		螺钉SM3/16"×28 L=7	Screw SM3/16"×28 L=7			1	
17	13512004		三孔线钩	3-hole thread guide			1	
18	10122005		挑线连杆螺塞孔塞	Rubber plug			1	
19	114511015		螺钉SM9/64"×40 L=6	Screw SM9/64"×40 L=6			2	
20	11419001		刮油刀	Knife			1	
21	20722002		油嘴	Rubber plug			1	
22	115022004		后盖板垫	Side plate gasket			1	
23	110212003		后盖板	Side plate			1	
24	101511001		螺钉SM3/16"×28 L=9	Screw SM3/16"×28 L=9			1	
25	114530001		螺栓M5 L=25	Screw M5 L=25			3	
26	114513001		螺钉M5 L=20	Screw M5 L=20			1	
27	W01009		垫圈5	Washer 5			4	
28	11013304400		手缝一体机控制器	Electronic control box			1	
29	10122006		送料调节器孔塞	Rubber plug			1	
30	10122007		下轴工艺孔塞	Rubber plug			1	
31	101512001		底座支柱	Machine head stud Electronic			4	
32	206511002		螺钉SM9/64"×40 L=10	Screw SM9/64"×40 L=10			1	
33	W06001		双面胶纸圈	Washer			1	
34	10113041		二孔线钩	2-hole thread guide			1	
35	101511007		螺钉SM11/64"×40 L=6	Screw SM11/64"×40 L=6			1	
36	10113004		右线钩	Thread guide right			1	
37	101515010		螺钉SM15/64"×28 L=10.5	Screw SM15/64"×28 L=10.5			1	
38	10122014		挑线簧调节座O型圈	Rubber ring			1	
39	10103011		挑线簧调节座	Thread tenson on base			1	
40	10112005		夹线板	Thread tenson on disk			1	
41	10112006		松线板	Disk stopper			1	
42	101530002		夹线螺钉	Thread tenson on post			1	
43	10127002		夹线弹簧	Thread tenson on spring			1	
44	11427050		夹线弹簧(厚料)	Thread tenson on spring (H)			1	
45	10112007		夹线制动板	Thread disk rotating stopper			1	
46	138516013		夹线螺母	Thread tenson on nut			1	
47	10126030		松线钉	Tension release pin			1	
48	10127001		挑线簧	Thread take-up spring			1	
49	10127031		挑线簧(厚料)	Thread take-up spring (H)			1	
50	101515005		螺钉SM9/64"×40 L=5.5	Screw SM9/64"×40 L=5.5			1	
51	1381300500		夹线器组件	Thread tenson on asm			1	
52	1381300700		夹线器组件(厚料)	Thread tenson on asm (H)			1	
53	11413011		固定式线钩	Thread guide			1	
54	401516001		螺母SM9/64"×40	Nut SM9/64"×40			1	
55	101511002		螺钉SM11/64"×40 L=5.5	Screw SM11/64"×40 L=5.5			1	
56	13812111		卷边座圈	Ruler stop seat			1	
57	101517002		螺钉SM11/64"×40 L=5	Screw SM11/64"×40 L=5			1	
58	11414006		针板	Needle plate			1	
59	10815001		针板(-7)	Needle plate (-7)			1	
60	11315001		针板(厚料)	Needle plate (H)			1	
61	13615003		针板(HL-7)	Needle plate (HL-7)			1	
62	10115002		推板	Slide plate			1	
63	10127009		推板簧	Slide plate spring			1	
64	101511019		螺钉SM3/32"×56 L=2	Screw SM3/32"×56 L=2			1	
65	101511001		螺钉SM3/16"×28 L=9	Screw SM3/16"×28 L=9			1	
66	11023000900		LED开关灯组件	Auto reverse feed switch asm			1	



2. 上轴挑线分组件/Main Shaft & Thread Take-up Components

序号 NO	公司件号	Part NO	名称	PartName	零件描述	Description	数量	Number
1	10126001		挑线连杆(厚料)	Thread take-up connecting rod (H)			1	
2	11326013		挑线连杆	Thread take-up connecting rod pin (-)			1	
3	11326010		挑线连杆(-7)	Thread take-up connecting rod pin (-)			1	
4	101515001		螺钉SM15/64"×28 L=15	Screw SM15/64"×28 L=15			1	
5	10105001		挑线连杆(厚料)	Thread take-up connecting rod (H)			1	
6	11305010		挑线连杆	Thread take-up connecting rod			1	
7	H05013		挡圈6	Snap ring 6			1	
8	11328010		垫片	Washer			1	
9	10112003		针杆曲柄护板	Needle bar crank protecting plate			1	
10	113800100		挑线杆分组件	Thread take-up lever asm			1	
11	1133800200		挑线杆组件(厚料,-7)	Thread take-up lever asm (H & -7)			1	
12	10124001		挑线杆滚针轴承	Needle bearing			1	
13	11310012		挑线曲柄分组件	Thread take-up crank			1	
14	1011000400		挑线曲柄分组件(厚料)	Thread take-up crank (H)			1	
15	11310010		挑线曲柄分组件(-7)	Thread take-up crank (-7)			1	
16	10105002		挑线连杆	Thread take-up connecting rod			1	
17	101517001		螺钉SM9/64"×40 (左旋) L=4.8	Screw SM9/64"×40 (left hand) L=4.8			1	
18	101515004		螺钉SM9/32"×28 L=16	Screw SM9/32"×28 L=16			1	
19	101511003		螺钉SM9/32"×28 L=16	Screw SM9/32"×28 L=16			1	
20	10404001		针杆曲柄	Needle bar crank			1	
21	11404035		针杆曲柄(厚料,-7)	Needle bar crank (H & -7)			1	
22	101515002		螺钉SM1/8"×40 L=6	Screw SM1/8"×40 L=6			2	
23	1010300400		上轴衬套组件	Main shaft bushing front			1	
24	101515006		螺钉SM15/64"×28 L=7	Screw SM15/64"×28 L=7			1	
25	12203002		主轴衬套	Main shaft bushing mid			1	
26	101514001		螺钉SM1/4"×40 L=6	Screw SM1/4"×40 L=6			2	
27	10108001		上轴衬套	Main shaft thrust collar			1	
28	H03002		挡圈20	Snap ring 20			1	
29	11310014		送料偏心轮	Feed eccentric cam			1	
30	400006		送料偏心轮(厚料)	Feed eccentric cam (H)			1	
31	10112017		送料偏心轮盖	Cover plate			1	
32	101511013		螺钉SM1/4"×40 L=13	Screw SM1/4"×40 L=13			2	
33	113511003		螺钉SM9/64"×40 L=5	Screw SM9/64"×40 L=5			2	
34	10103026		上轴衬套	Main shaft bushing rear			1	
35	10122105		上轴衬套挡油封	Oil seal			1	
36	H03001		挡圈15	Snap ring 15			1	
37	10102026		上轴	Main shaft			1	
38	303560		手轮	Handwheel			1	
39	10133045		手缝一体机电机	Motor			1	
40	W03002		弹簧5	Spring washer 5			3	
41	114513001		螺钉M5 L=20	Screw M5 L=20			3	
42	505218		螺钉M5 L=22	Screw M5 L=22			1	
43	W03002		弹簧5	Spring washer 5			1	
44	10122012		上轴衬套	Rubber plug			1	
45	1013800300		挑线杆大组件(HL专用)	Thread take-up lever asm (HL)			1	
46	1011001100		拾牙凸轮组件(HL专用)	Cam (HL)			1	
47	1011001200		送料凸轮组件(HL专用)	Cam (HL)			1	
48	135515007		螺钉SM11/64"×40 (HL专用)	Screw SM11/64"×40 (HL)			6	
49	13528002		凸轮廓线片(HL专用)	Cam plate (HL)			1	

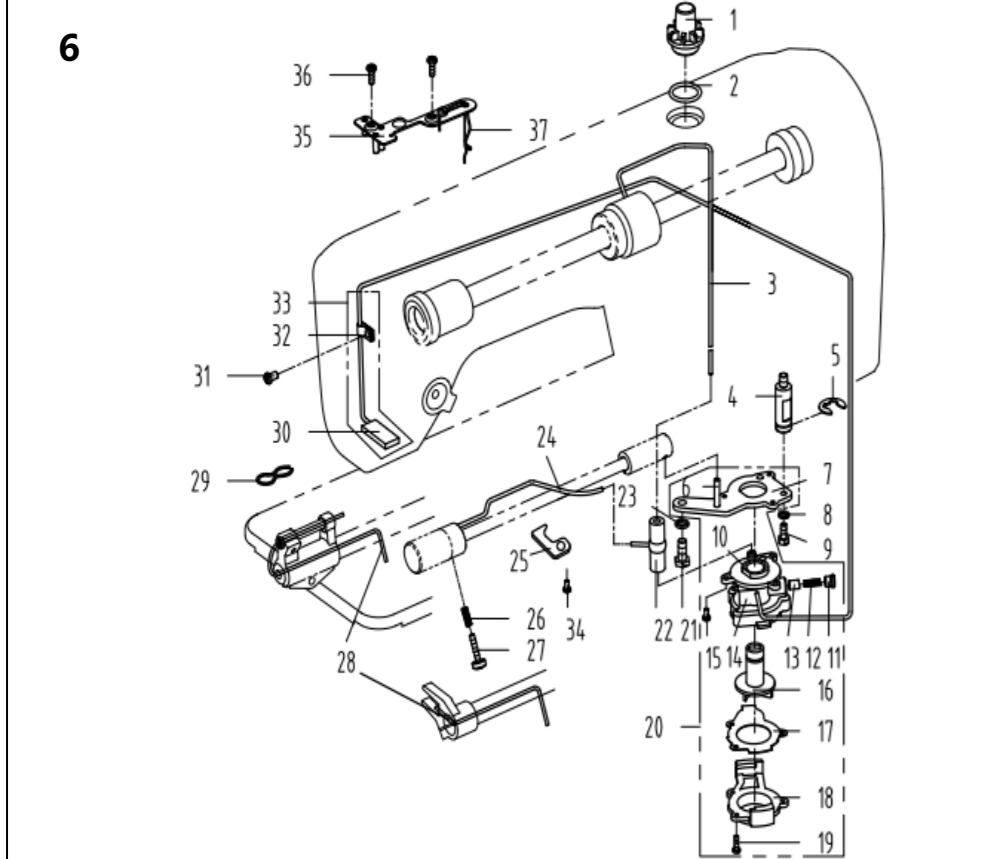


4. 压料分组件/Presser Bar Components

序号 NO	公司件号	Part NO	名称	PartName	零件描述	Description	数量	Number
1	101511010		螺钉SM9/64"×40 L=11	Screw SM9/64"×40 L=11			1	
2	10128002		压脚扳手螺钉垫圈	Washer			1	
3	13811029		压脚扳手	Hand lifter			1	
4	O01004		O形圈	Rubber ring			1	
5	1011000200		压脚扳手凸轮分组件	Hand lifter cam asm			1	
6	101520001		前杆杆螺钉	Screw			2	
7	10128015		螺帽螺钉垫圈	Washer			1	
8	1011200100		抬压脚扳杆分组件	Lift front lever component			2	
9	101120113		抬压脚扳杆	Knee lifter pull rod			1	
10	H05003		挡圈5	Snap ring 5			2	
11	101120110		压脚升降板	Lifting plate			1	
12	101520004		螺钉SM3/16"×32	Hinge Screw SM3/16"×32			1	
13	101520003		螺钉SM15/64"×28	Hinge screw SM15/64"×28			1	
14	101120114		抬压脚后杆	Knee lifter back lever			1	
15	101120115		抬压脚前杆	Knee lifter connecting rod			1	
16	1011200200		抬压脚前杆组件	Knee lifter lever asm			1	
17	11381101800		调压螺钉组件	Presser regulating screw nut asm			1	
18	1138N530003		调压螺钉(厚料)	Press regulating screw (H)			1	
19	1138N516005		调压螺母(厚料)	Press regulating nut (H)			1	
20	10102003		调压导杆	Press regulating guide bar			1	
21	113827010		调压簧	Press regulating spring			1	
22	10127024		调压簧(厚料)	Press regulating spring (H)			1	
23	13809030		压杆导架	Presser bar guide bracket			1	
24	101515007		螺钉SM1/4"×40 L=8	Screw SM1/4"×40 L=8			1	
25	10122112		压杆防油盖	Presser bar oil cover			1	
26	10103012		压杆衬套	Presser bar bushing			1	
27	10102004		压杆	Presser bar			1	
28	101511009		螺钉SM9/64"×40 L=10.5	Screw SM9/64"×40 L=10.5			1	
29	1131600600		压脚组件	Presser foot asm			1	
30	1131600300		压脚组件(厚料)	Presser foot asm (H)			1	
31	11329020		挡圈5	Snap ring 5			5	
32	10128015		松线顶板螺钉	Wire release plate pin			1	
33	101120112		松线顶板垫圈	Wire release plate asm			1	
34	10126003		松线顶板	Thread release supporting pin			1	
35	H05012		挡圈5	Snap ring 5			26	
36	10128001		松线轴衬套	Washer plate			1	
37	10127003		松线轴衬套	Spring			1	
38	H05003		挡圈5	Snap ring 5			2	
39	10127008		松线顶板复位簧	Spring			1	
40	1011900100		刮线刀组件	Knife			1	

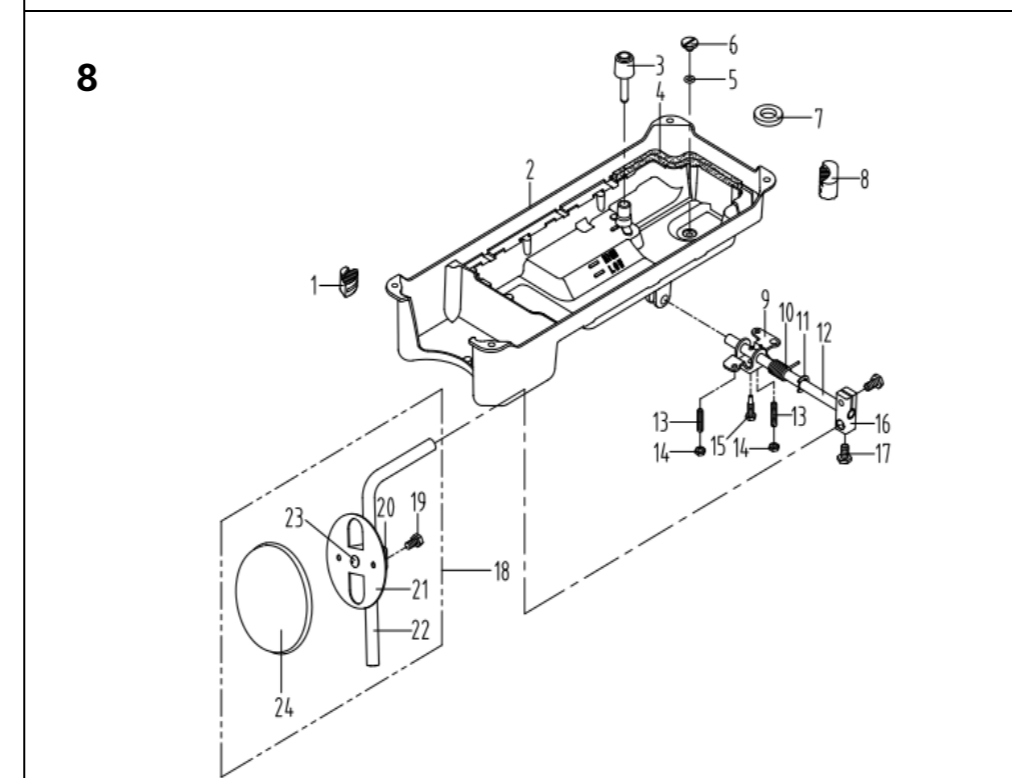
3. 针杆、竖轴、下轴部件/Needle bar & Upright Shaft & Hook Driving Shaft Components

序号 NO	公司件号	Part NO	名称	PartName	零件描述	Description	数量	Number
1	10103009		针杆上衬套	Needle bar bushing upper			1	
2	10102002		针杆	Needle bar			1	
3	10102021		针杆(厚料)	Needle bar (H)			1	
4	10138002		针杆连接柱	Needle bar connecting rod			1	
5	13505003		针杆连接柱(HL)	Needle bar connecting rod (HL)			1	
6	101511005		螺钉SM9/64"×40 L=6	Screw SM9/64"×40 L=6			1	
7	10103010							



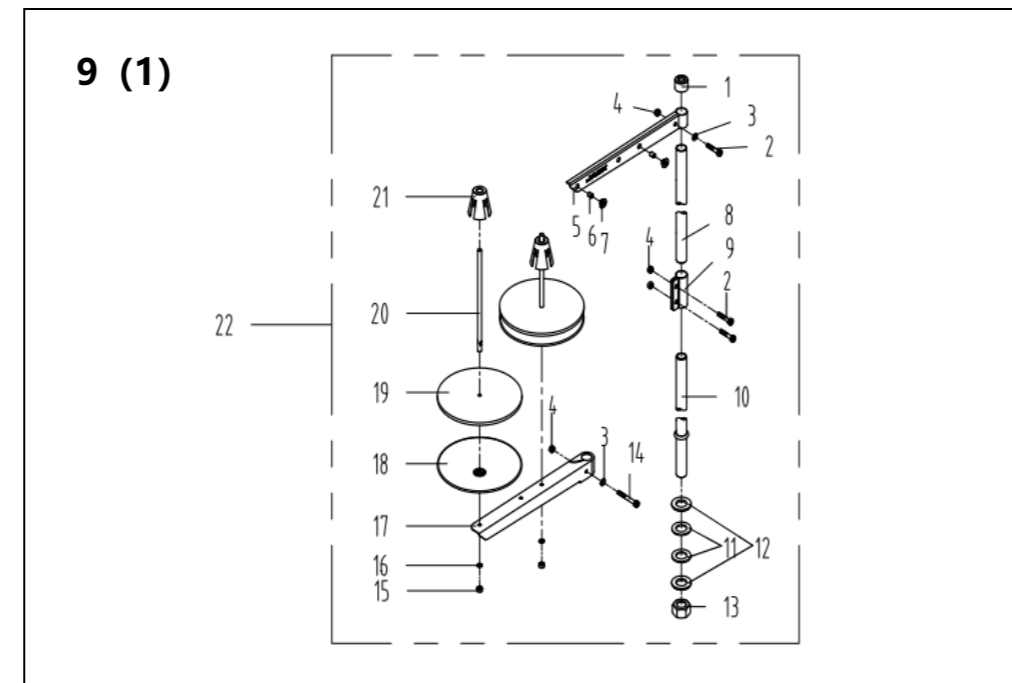
7. 绕线器组件/ Bobbin Components

序号 NO	公司件号	Part NO	名称 PartName	零件描述 Description	数量	Number
1	1383103900		绕线器组件	Bobbin winder asm	1	
2	114511008		螺钉M4 L=6	Screw M4 L=6	1	
3	W01142		垫圈4	Washer 4	1	
4	10113030		压线控制板	Thread press control plate	1	
5	10111120		绕线衬垫	Winding pad	1	
6	13831101		绕线器转置主板	Bobbin winder bed	1	
7	H05006		开口挡圈5	Snap ring	1	
8	10127061		限位板拉簧	Spring	1	
9	13821110		调节板	Regulating plate	1	
10	10110030		绕线凸轮	Bobbin winder cam	1	
11	S09045		螺钉M5 L=5	Screw M5 L=5	1	
12	1380510600		绕线器连杆组件	Bobbin winder connecting rod	1	
13	13827103		限位板位置	Spring	1	
14	10127060		弹簧	Spring	1	
15	H05909		开口挡圈4	Snap ring 4	1	
16	13802111		绕线器主轴	Bobbin winder main shaft	1	
17	13802026		绕线器凸轮轴	Bobbin winder cam shaft	1	
18	S09103		螺钉M4 L=4	Screw M4 L=4	2	
19	13831102		绕线器	Bobbin winder wheel	1	
20	O01110		O型圈	Ring	1	
21	11422062		密封垫	Washer	1	
22	114511003		螺钉SM3/16"×28 L=10	Screw SM3/16"×28 L=10	3	
23	1381300600		底线夹线器	Bobbin thread tension asm	1	
24	13816019		夹线螺母	Thread tension nut	1	
25	11427006		小夹线弹簧	Spring	1	
26	10112005		夹线板	Thread tension disk	2	
27	11413022		夹线过线板	Thread tension guide plate	1	
28	112513004		夹线螺钉	Screw	1	
29	114516001		螺母SM11/64"×40	Nut SM11/64"×40	1	
30	11435013		绕线器驱动轮	Driving wheel	1	
31	S10009		螺钉M6 L=8	Screw M6 L=8	2	



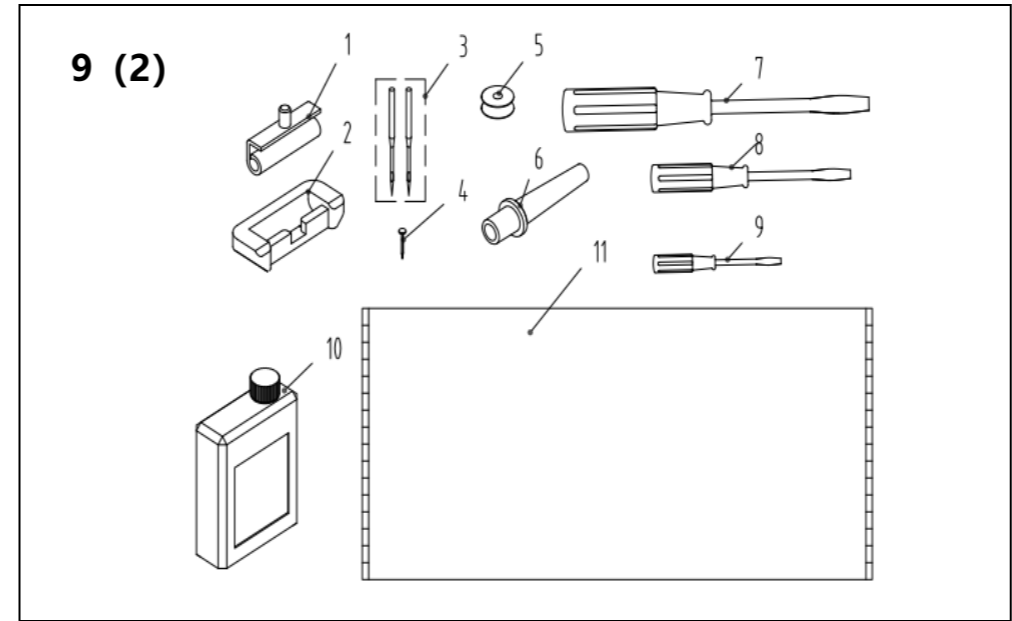
8. 油盘、膝抬压脚分组件/Oil Reservoir & Knee Lifter Components

序号 NO	公司件号	Part NO	名称 PartName	零件描述 Description	数量	Number
1	10122022		油盘座垫	Oil reservoir rubber cushion	2	
2	13801020		油盘	Oil reservoir	1	
3	10111005		抬压脚顶杆	Knee lifter push rod	1	
4	10122020		油盘垫	Oil Reservoir gasket	1	
5	10122021		O形圈	Rubber ring	1	
6	101S11028		螺钉SM5/16"×24 L=7	Screw SM5/16"×24 L=7	1	
7	10131001		油盘磁铁	Oil reservoir magnet	1	
8	10122023		油盘支架	Oil reservoir rubber cushion	2	
9	10112027		抬压脚双向曲柄	Knee lifter crank	1	
10	10127016		双向曲柄扭簧	Knee lifter spring	1	
11	H05010		挡圈10	Snap ring 10	1	
12	10102011		抬压脚轴	Knee lifter shaft	1	
13	101S15012		螺钉M6 L=30	Screw M6 L=30	2	
14	101S16004		螺母M6 L=4	Nut M6 L=4	2	
15	101S12002		螺钉M6 L=26	Screw M6 L=26	1	
16	10101008		抬压脚螺帽杆头	Bearing bracket	1	
17	101S12003		螺钉M8 L=16	Screw M8 L=16	1	
18	1011202800		抬压脚组件	Knee press plate asm	1	
19	101S12004		螺钉M6 L=11	Screw M6 L=11	1	
20	10112030		抬压脚杆头	Knee press plate holder	1	
21	10112029		抬压脚板	Knee press plate	1	
22	10112028		抬压脚杆	Knee press plate rod	1	
23	10122025		抬压脚垫	Rubber	1	
24	10122024		抬压脚板软垫	Knee press plate cover	1	



9. 机头附件 (1) /Machine Head Accessories (1)

序号 NO	公司件号	Part NO	名称 PartName	零件描述 Description	数量	Number
1	20131019		棒帽	Stick cap	1	
2	S04050		螺钉M5 L=16	Screw M5 L=16	3	
3	W01047		平垫圈5	Washer 5	2	
4	N01034		螺母M5	Nut M5	4	
5	13831022		上线架过线杆	Spool rest arm upper	1	
6	10113011		过线圈 (内)	Thread guide ring	2	
7	10113010		过线圈 (外)	Thread guide ring	2	
8	13831019		绕线杆上节	Spool rest rod upper	1	
9	13831021		绕线杆接头	Spool rest rod joint	1	
10	13831020		绕线杆下节	Spool rest rod lower	1	
11	10122106		橡胶垫圈	Spool rest rod rubber ring	2	
12	W01052		平垫圈16	Washer 16	2	
13	N02008		螺母M16	Nut M16	1	
14	S04051		螺钉M5 L=31.5	Screw M5 L=31.5	1	
15	N01034		螺母M5	Nut M5	2	
16	W03002		弹簧垫圈5	Spring washer 5	2	
17	13831023		下线架过线杆	Spool rest arm lower	1	
18	13831024		绕线盘	Spool rest	2	
19	20131010		绕线垫	Spool rest cushion	2	
20	20131006		绕线棒	Spool support rod	2	
21	13831025		绕线固定套	Spool fixed seat	2	
22	1383100300		绕线组件	Thread stand asm	1	

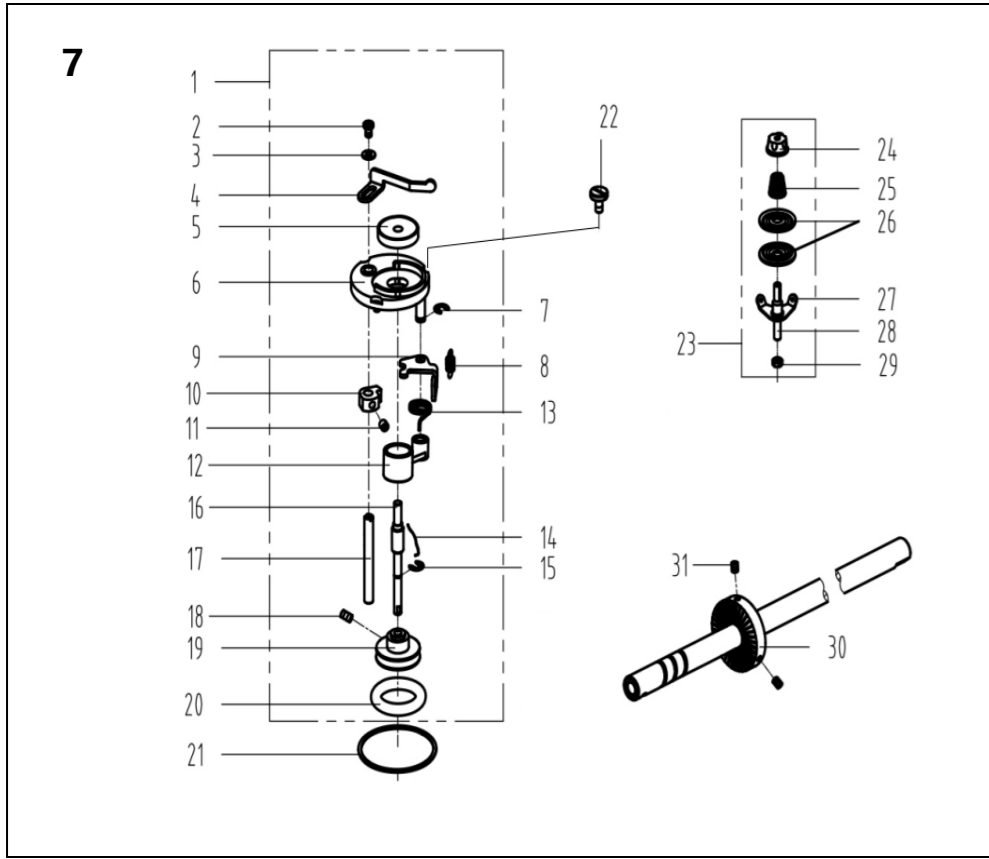


9. 机头附件 (2) /Machine Head Accessories (2)

序号 NO	公司件号	Part NO	名称 PartName	零件描述 Description	数量	Number
1	1011203100		机头连接钩部件	Hinge component	2	
2	10122060		机头连接钩座	Head connecting rubber cushion	2	
3	10117012		机针 DBx#14	Needle DBx#14	10	
4	10117002		机针 DPx#21 (厚料)	Needle DPx#21 (H)	4	
5	101530010		机头连接钩螺钉 (P19)	Shoe spike (P19)	6	
6	10118003		梭心	Bobbin	2	
7	10818501		大梭心 (HL)	Bobbin (HL)	2	
8	10111011		机头支柱	Machine head rest pin	1	
9	20731047		螺丝刀 (大)	Screw driver (large)	1	
10	10131003		螺丝刀 (中)	Screw driver (medium)	1	
11	10131004		螺丝刀 (小)	Screw driver (small)	1	
12	1381101200		油刷部件	Oil component	1	
13	114131001		防尘罩	Dust cover	1	

6. 润滑、油量检测组件/Oil Lubrication & Oil Measuring Components

序号 NO	公司件号	Part NO	名称 PartName	零件描述 Description	数量	Number
1	11211004		油窗	Oil sight window	1	
2	10122019		油窗O形圈	Rubber ring	1	
3	11421008		上轴供油管	Main shaft oil tube	1	
4	101530008		油泵连接螺母	Oil pump connecting stud	1	
5	11329010		开口挡圈10	Snap ring 10	1	
6	10121001		下轴供油管	Hook driving shaft oil tube	1	
7	10112020		油泵安装板	Oil pump installing base	1	
8	W03002		弹簧	Spring washer	1	
9	101S11011		螺钉SM11/64"×40 L=9.5	Screw SM11/64"×40 L=9.5	1	
10	10103022		油泵衬套	Oil pump bushing	1	
11	101S30007		柱塞螺钉	Plunger Screw	1	
12	10127013		柱塞簧	Plunger spring	1	
13	10122018		回油柱塞	Plunger	1	
14	10120001		油泵体	Oil pump	1	
15	S04093		螺钉M3 L=6	Screw M3 L=6	3	
16	10111003		油泵叶轮	Oil pump impeller	1	
17	10112021		油泵叶轮托板	Oil pump impeller cover	1	
18	10111007		油泵盖	Lubricating oil pump cover	1	
19	101S30006		螺钉ST2.9 L=10	Screw ST2.9 L=10	3	
20	1012000100		油泵分部件	Lubricating oil pump component	1	
21	101S11026		螺钉SM15/64"×28 L=9	Screw SM15/64"×28 L=9	1	
22	10136001		供油管接头	Rubber joint	1	
23	W02004		弹簧M6	Spring Washer M6	1	
24	10121009		接油管	Hook oil tube	1	
25	10112022		接油管压板	Tube holder	1	
26	10127014		油量调节螺钉弹簧	Spring	1	
27	101S30009		油量调节螺钉	Oil volume adjusting screw	1	
28	10423005		油线	Oil wick	1	
29	10127015		回油毡夹	Oil felt clamp	1	
30	10123006		回油毡	Oil felt felt	1	
31	101S11004		螺钉SM3/16"×28 L=7	Screw SM3/16"×28 L=7	1	
32	10127015		回油毡夹	Oil tube clamp	1	
33	1150210100		回油管部件	Oil return tube component	1	
34	101S11026		螺钉SM15/64"×28 L=9	Screw SM15/64"×28 L=9	1	
35	10112025		油线固定板	Oil wick fixing plate	1	
36	101S11010		螺钉SM9/64"×40 L=11	Screw SM9/64"×40 L=11	2	
37	10123010		油线	Oil wick	1	



杰克缝纫机股份有限公司
杰克缝纫机
全球销量遥遥领先

公司地址(Address of Company):
中国浙江省台州市椒江区三甲东大道东段1008号
NO.1008, DONGHAI AVENUE EAST, JIAOJIANG DISTRICT,TAIZHOU CITY, ZHEJIANG
邮编(Zip Code): 318000
国内销售部(Domestic Trade Department):
电话(TEL): 0086-0576-88177788 88177789
传真(FAX): 0086-0576-88177758
国际销售部(International Trade Department):
电话(TEL): 0086-0576-88177782 88177774
传真(FAX): 0086-0576-88177787
服务热线: 400-8876858
http://www.chinajack.com
资料如有更改, 恕不另行通知, 以实物为准。
You will be not informed if the file has been revised Please set sample as standard
日期: 2020.09

