

Sh90L-4/2
1,4/2,0kW 1400/2750 $\frac{\text{obr}}{\text{min}}$
E-M10,9/1,1K3

Sh90-2S
1,5kW 2800 $\frac{\text{obr}}{\text{min}}$
E-SG90S2

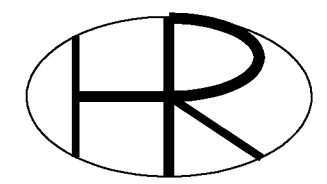
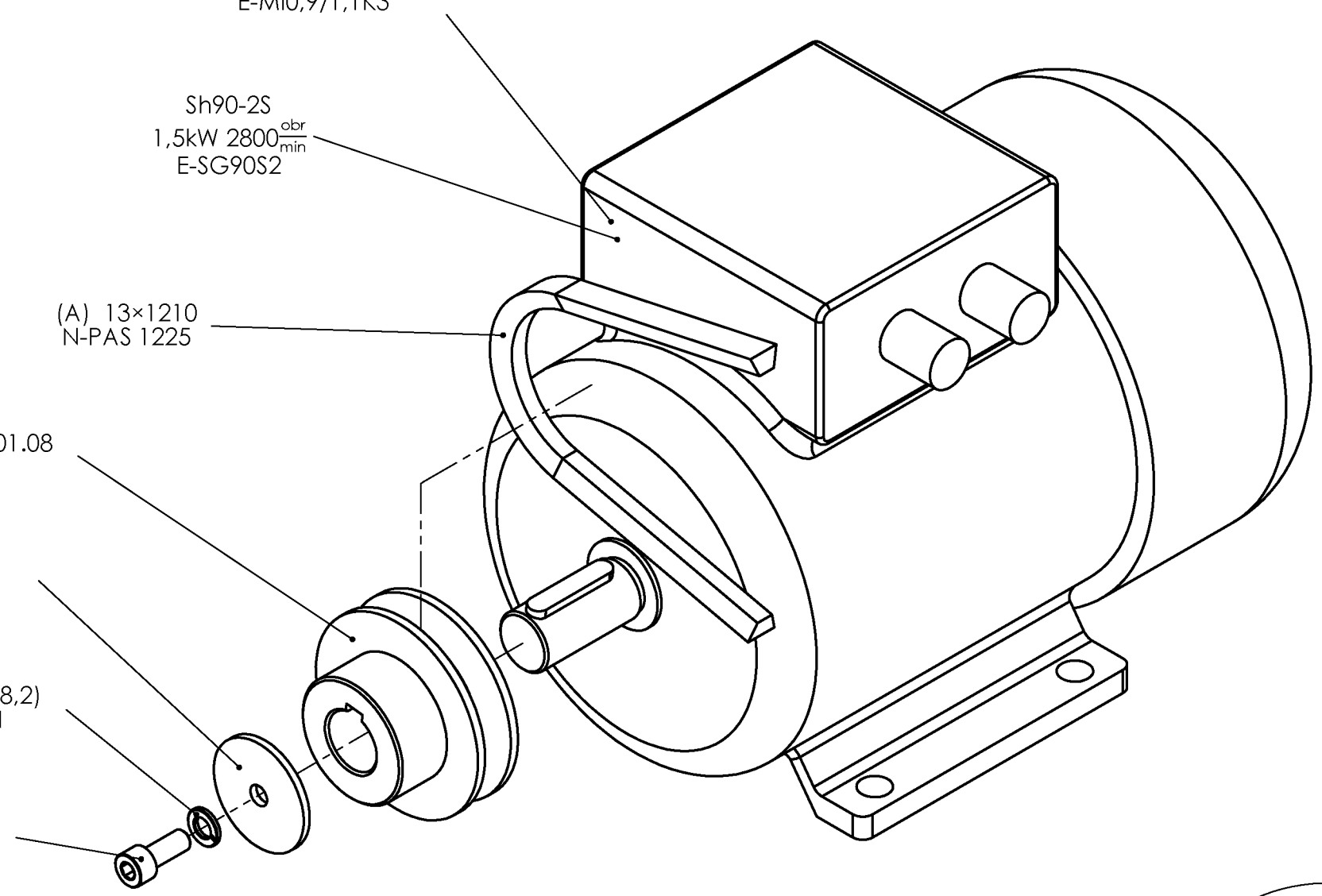
(A) 13×1210
N-PAS 1225

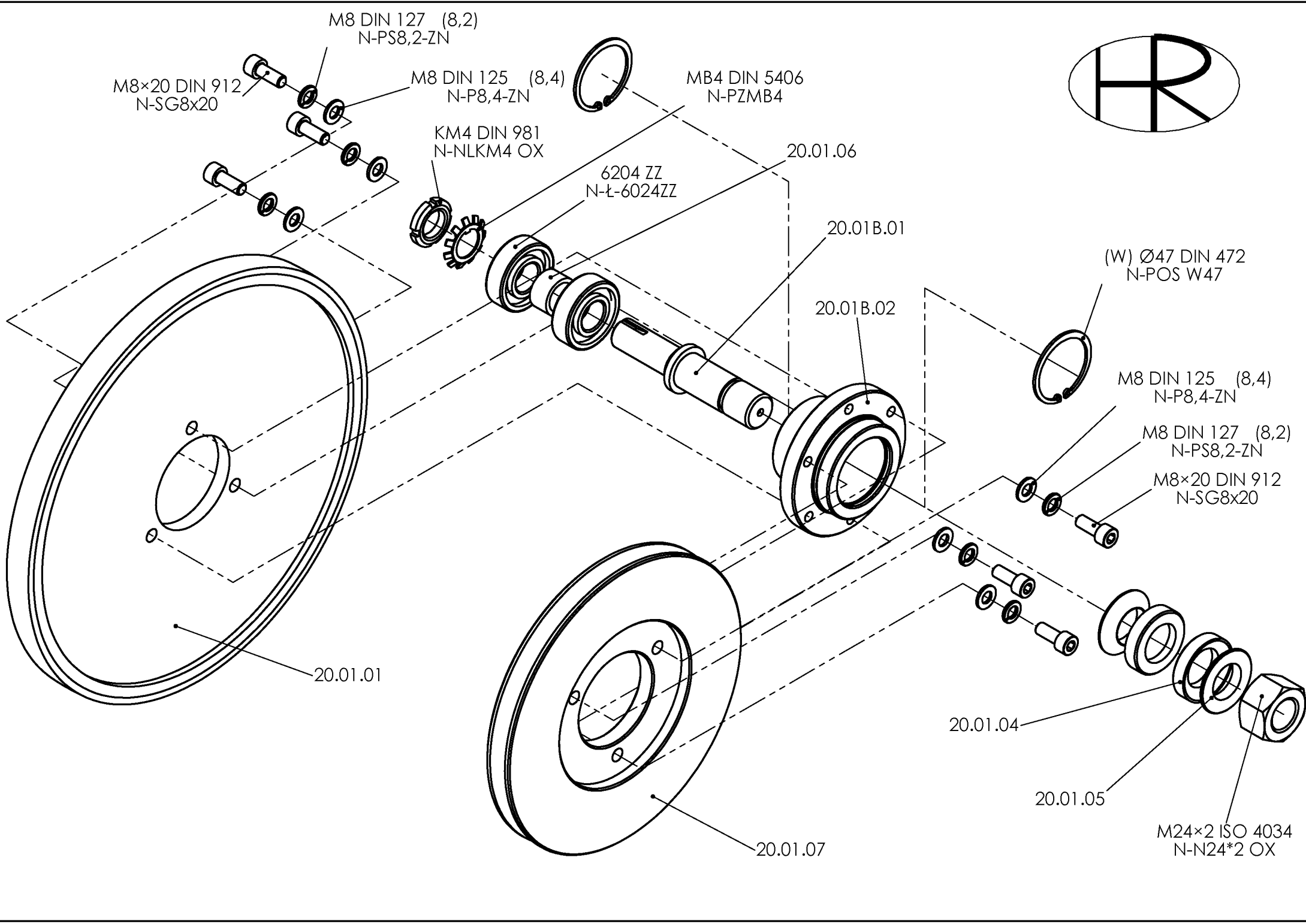
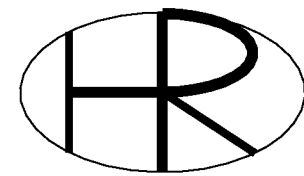
20.01.08

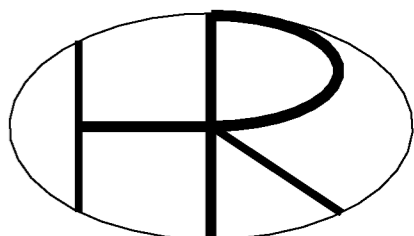
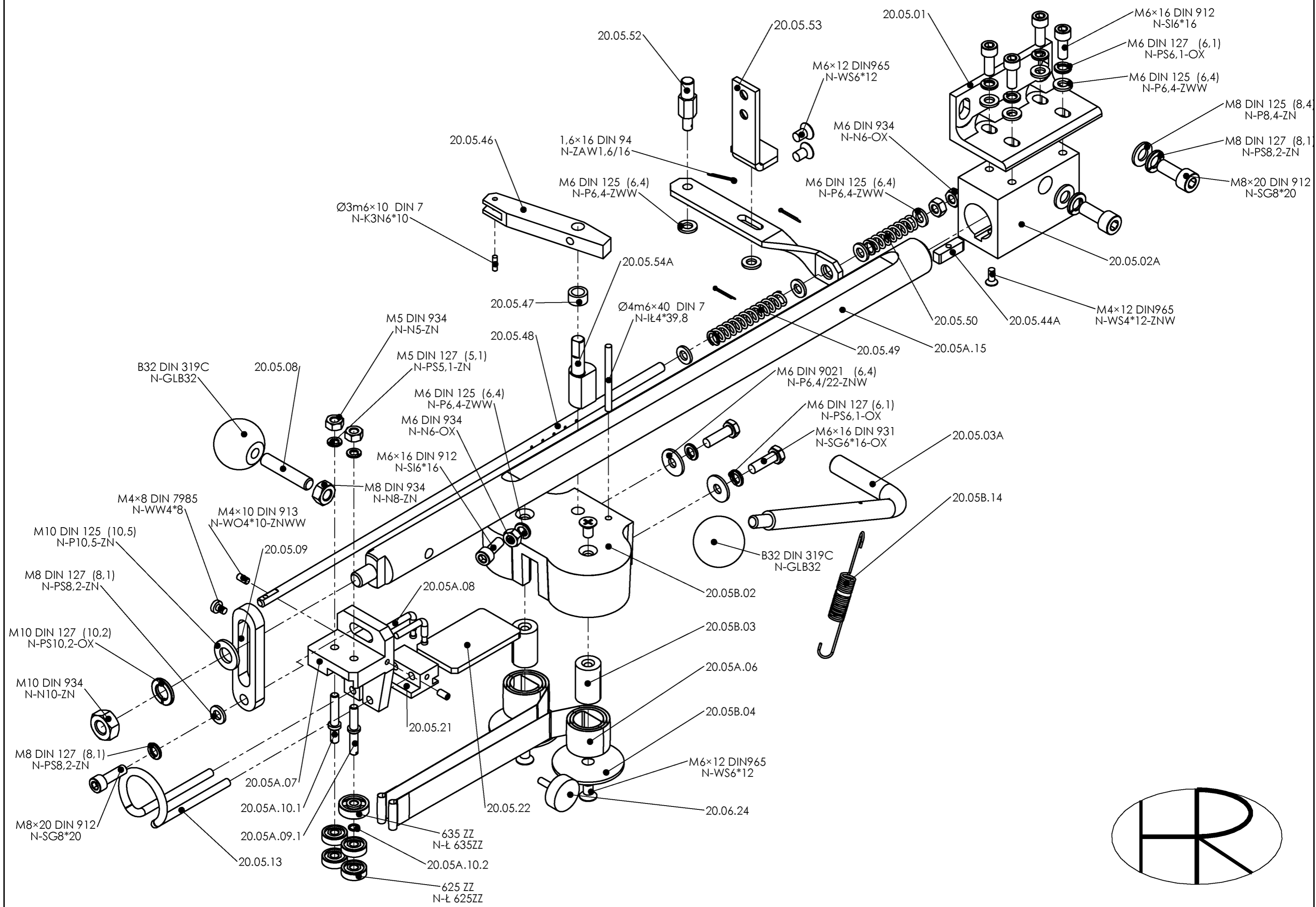
20.01B.09

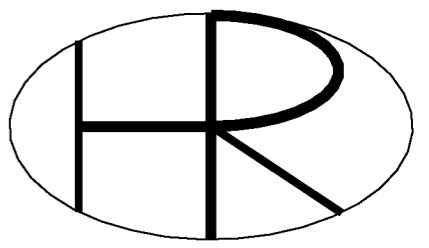
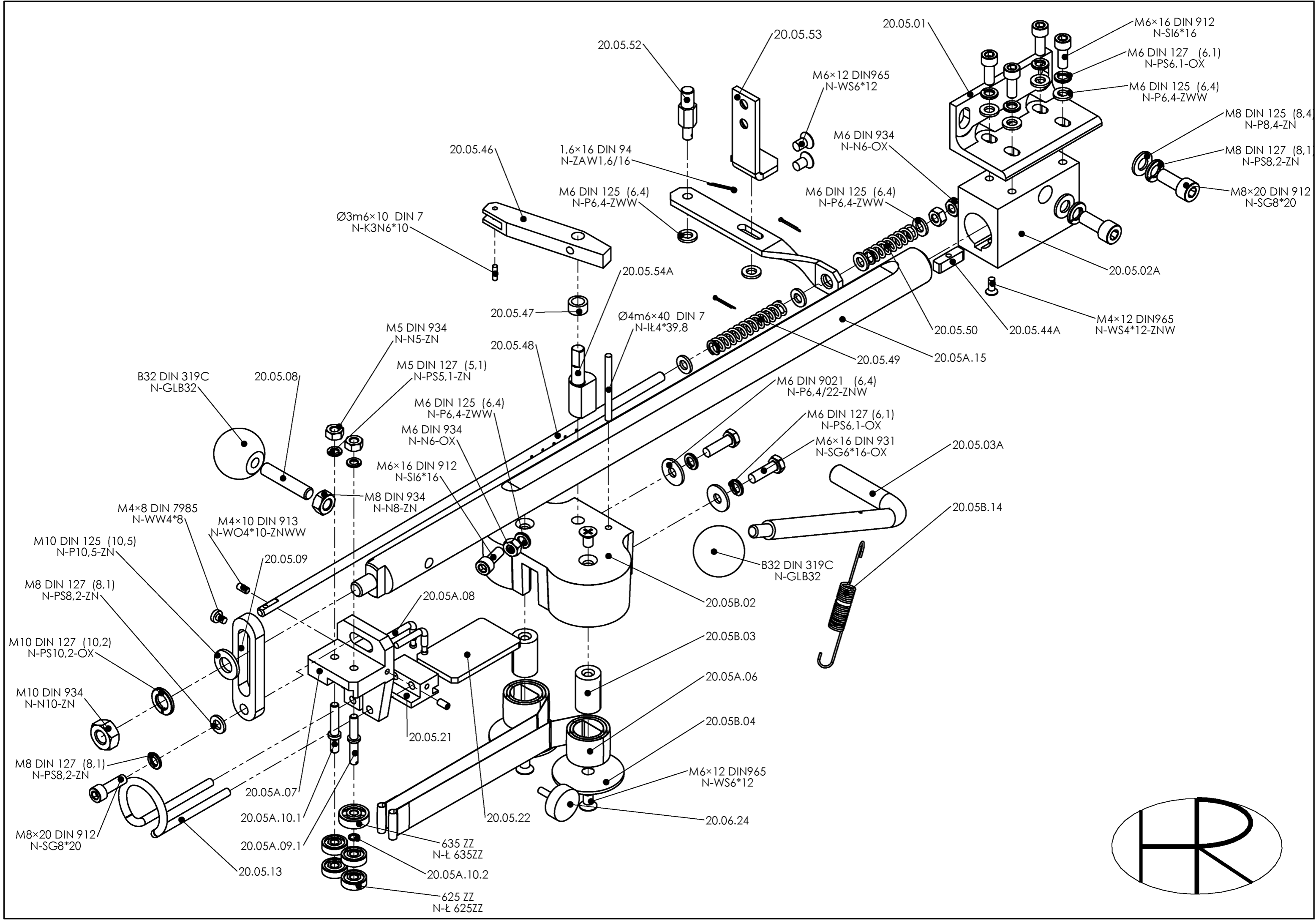
M8 DIN 127 (8,2)
N-PS8,2-ZN

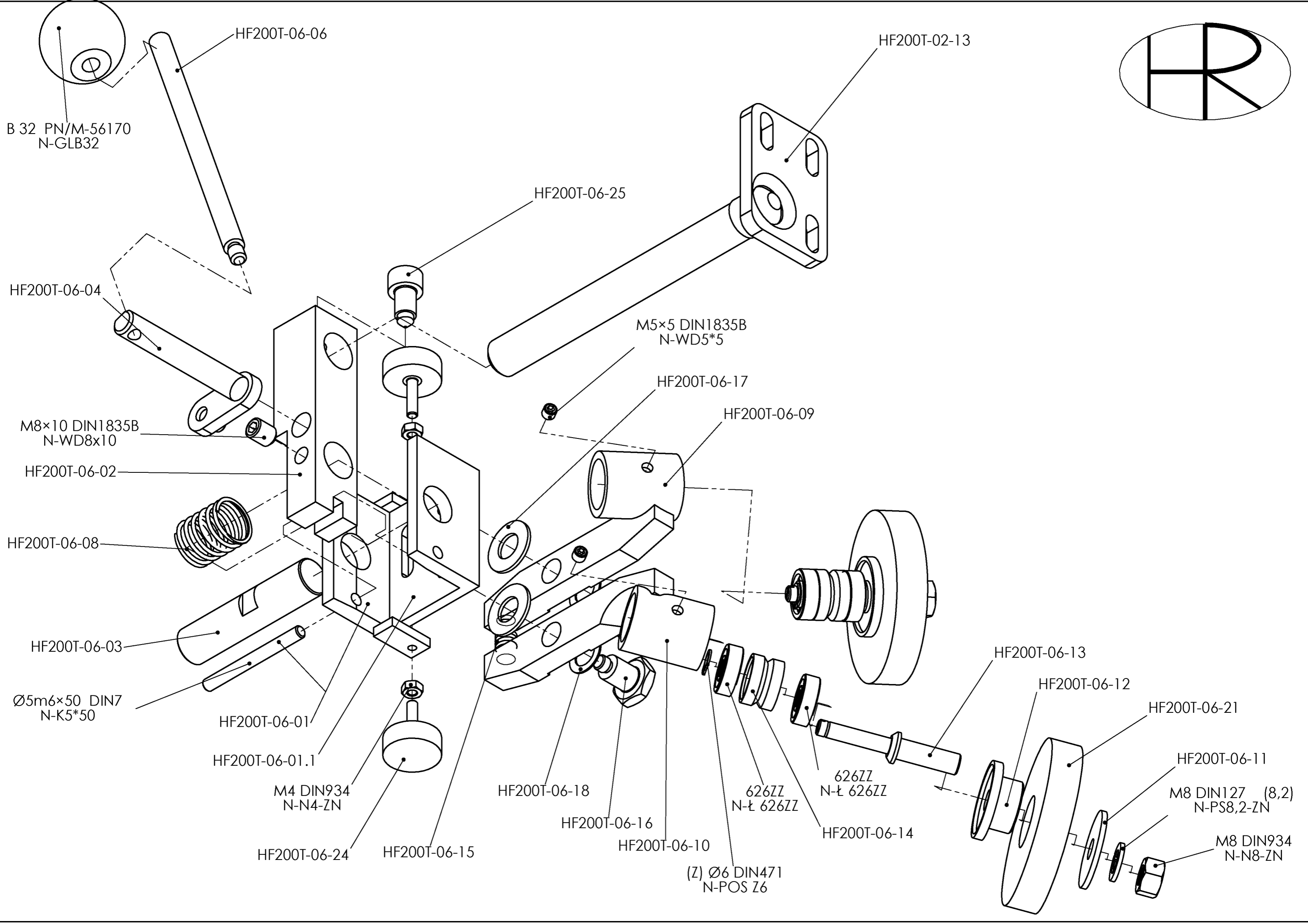
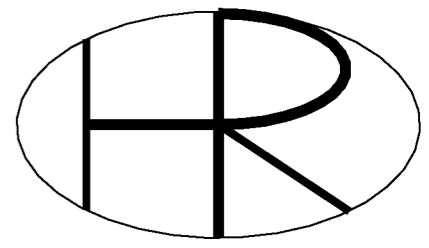
M8×20 DIN 912
N-SG8x20











B 32 PN/M-56170
N-GLB32

HF200T-06-06

HF200T-02-13

HF200T-06-25

HF200T-06-04

M5x5 DIN1835B
N-WD5*5

M8x10 DIN1835B
N-WD8x10

HF200T-06-17

HF200T-06-09

HF200T-06-02

HF200T-06-08

HF200T-06-03

Ø5m6x50 DIN7
N-K5*50

HF200T-06-01

HF200T-06-01.1

M4 DIN934
N-N4-ZN

HF200T-06-18

626ZZ
N-Ł 626ZZ

626ZZ
N-Ł 626ZZ

HF200T-06-13

HF200T-06-12

HF200T-06-21

HF200T-06-11

M8 DIN127 (8,2)
N-PS8,2-ZN

M8 DIN934
N-N8-ZN

HF200T-06-24

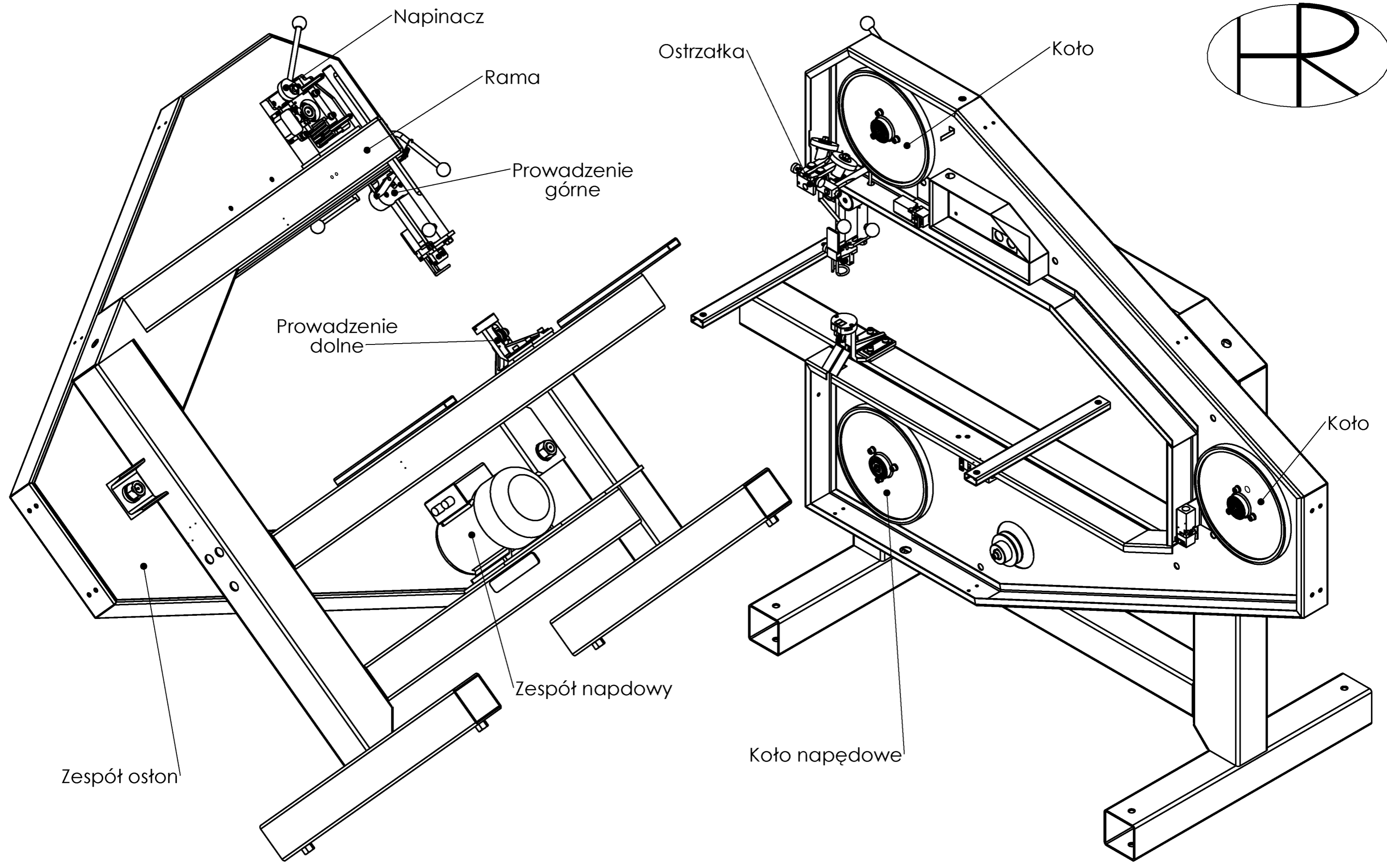
HF200T-06-15

HF200T-06-16

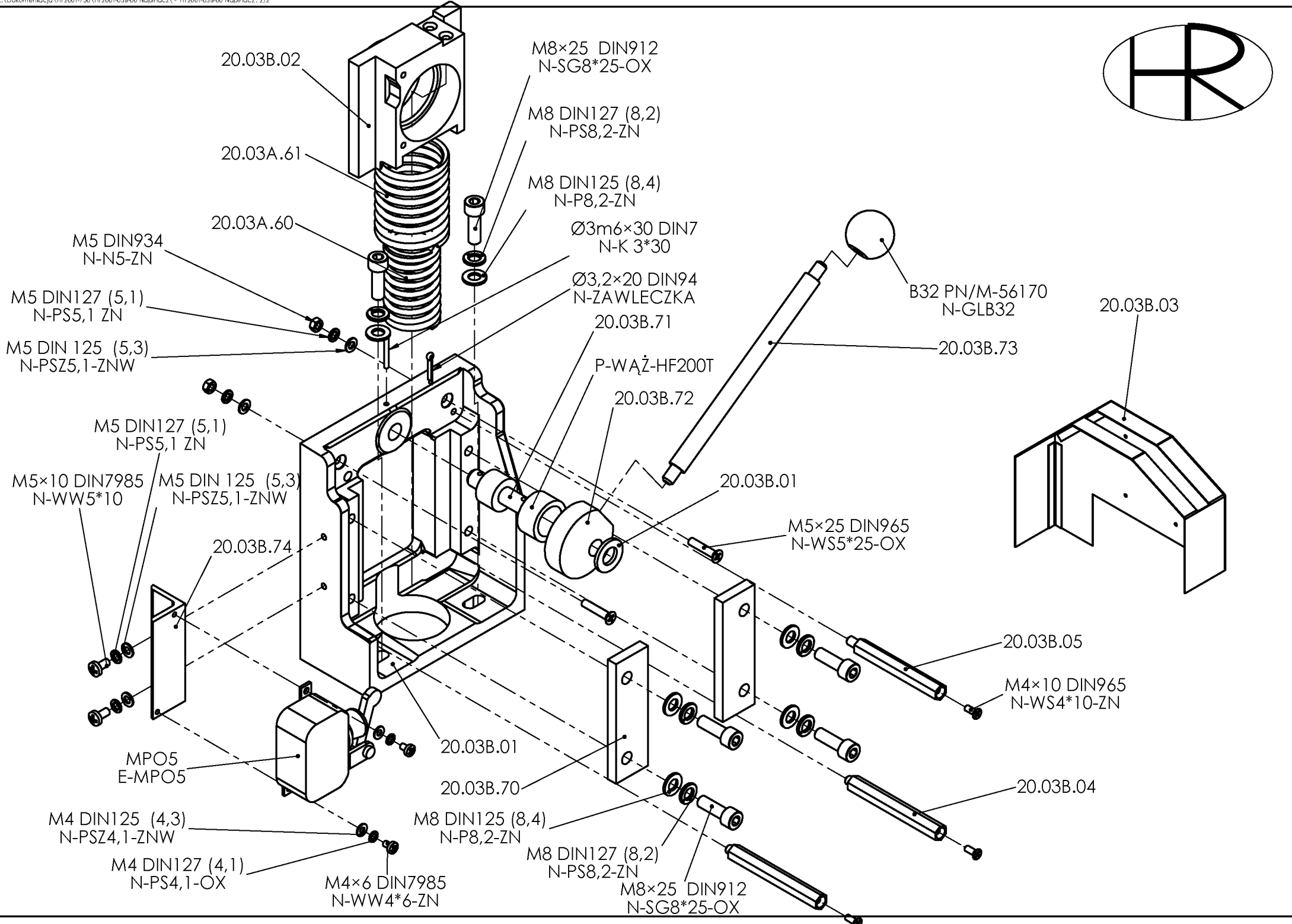
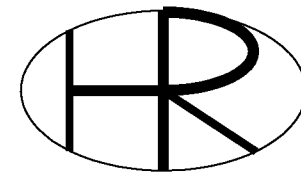
HF200T-06-10

(Z) Ø6 DIN471
N-POS Z6

HF200T-06-14



HF200T



20.03B.02

M8×25 DIN912
N-SG8*25-OX

20.03A.61

M8 DIN127 (8,2)
N-PS8,2-ZN

20.03A.60

M8 DIN125 (8,4)
N-P8,2-ZN

M5 DIN934
N-N5-ZN

Ø3m6×30 DIN7
N-K 3*30

M5 DIN127 (5,1)
N-PS5,1 ZN

Ø3,2×20 DIN94
N-ZAWLECZKA

B32 PN/M-56170
N-GLB32

M5 DIN 125 (5,3)
N-PSZ5,1-ZNW

20.03B.71

P-WAŻ-HF200T

20.03B.73

20.03B.03

M5 DIN127 (5,1)
N-PS5,1 ZN

20.03B.72

20.03B.01

M5×10 DIN7985
N-WW5*10

M5 DIN 125 (5,3)
N-PSZ5,1-ZNW

M5×25 DIN965
N-WS5*25-OX

20.03B.74

20.03B.05

M4×10 DIN965
N-WS4*10-ZN

MPO5
E-MPO5

20.03B.01

20.03B.70

20.03B.04

M4 DIN125 (4,3)
N-PSZ4,1-ZNW

M8 DIN125 (8,4)
N-P8,2-ZN

M8 DIN127 (8,2)
N-PS8,2-ZN

M4 DIN127 (4,1)
N-PS4,1-OX

M4×6 DIN7985
N-WW4*6-ZN

M8×25 DIN912
N-SG8*25-OX

