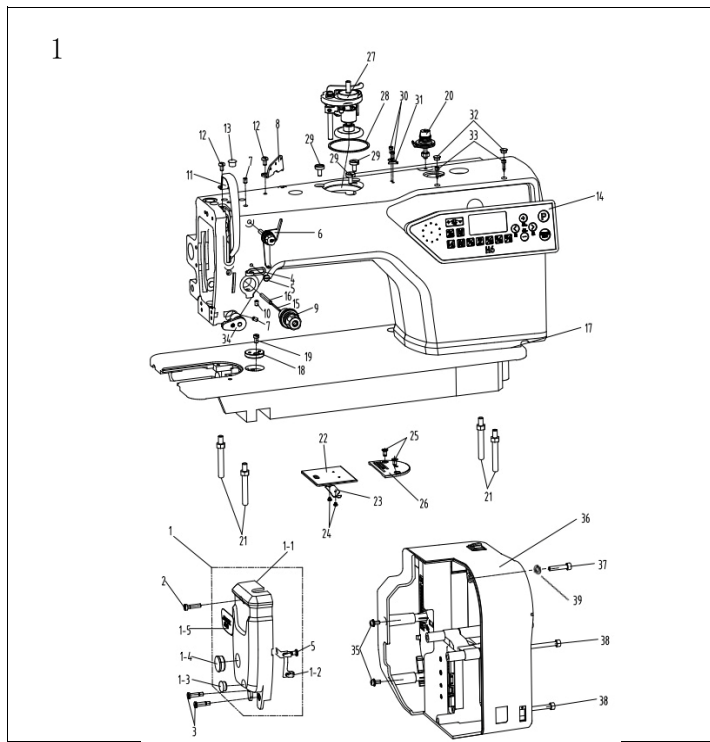


H6系列 H6Series



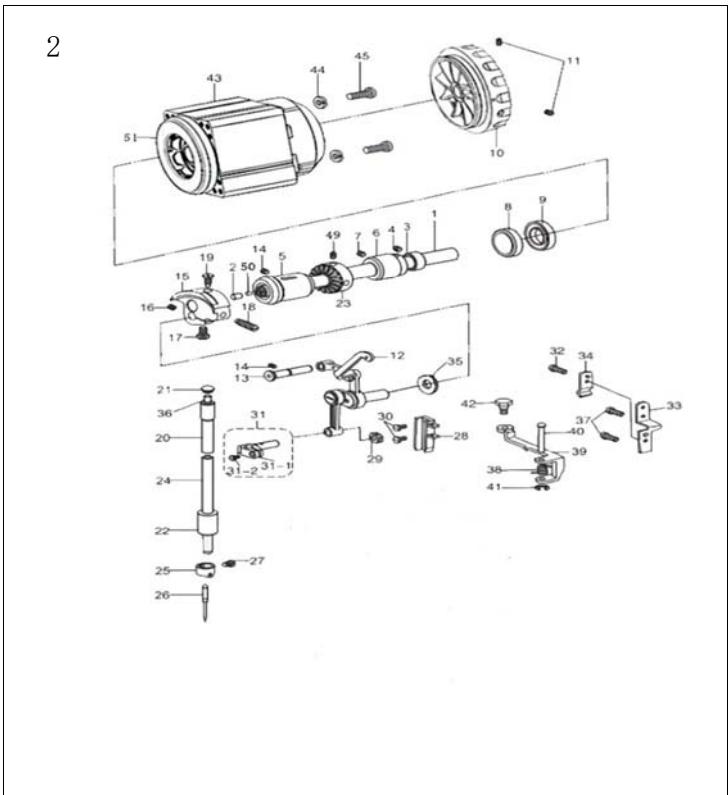
1. 机壳、外装分组件/Machine frame & miscellaneous cover components

序号 NO.	公司件号 Part NO.	名称 PartName	零件描述 Description	数量 Number				
				-3	XB	ZD	ST	H6+
1	93000500	面板 (喷漆)	panel	1	1	1	1	1
1-1	114701010	面板	panel	1	1	1	1	1
1-2	13813005	面板线钩	Panel thread guide	1	1	1	1	1
1-3	13522002	面板橡皮塞(p11.8)	Rubber plug11.8)	1	1	1	1	1
1-4	13522001	面板橡皮塞(p19)	Rubber plug19)	1	1	1	1	1
1-5	115037001	面板商标牌	trademark	1	1	1	1	1
2	201S11025	面板螺钉 SM11/64*40	Panel Screw SM11/64*40	1	1	1	1	1
3	135S11047	螺钉 SM11/6*40	Panel Screw SM11/6*40	2	2	2	2	2
4	10113004	右线钩	Panel thread guide (right)	1	1	1	1	1
5	101S11007	螺钉SM11/6*40*6	Screw SM11/6*40*6	2	2	2	2	2
6	1411300400	小夹线器组件	Small thread tension assy	1	1	1	1	1
7	113S14020	螺钉SM11/6*40*6	Screw SM11/6*40*6	2	2	2	2	2
8	13512004	三孔线钩	3-hole thread guide	1	1	1	1	1
9	1.1471E+10	夹线组件	Thread tension assy	1	1	1	1	1
10	136S14002	螺钉 SM15/6*28	Screw SM15/6*28	1	1	1	1	1
11	14712018	挑线杆防护罩	Thread take-up lever cover	1	1	1	1	1
12	101S11004	螺钉SM3/16*X28 X7	Screw SM3/16*X28 X7	2	2	2	2	2
13	10122005	挑线连杆销螺孔塞	Take-up link pin screw plug	1	1	1	1	1
14	1.1473E+10	一体机电控面板组件	Control panel	1	1	1	1	1
15	14726002	挑线杆(30.6mm)	Thread release pin	1	1	1	1	1
16	13613002	松线棒	Thread release bar	1	1	1	1	1
17	930000460	机壳(喷漆)	Frame ASM	1	1	1	1	1
18	13512001	卷边器座	Beader pedestal	1	1	1	1	1
19	101S11025	螺钉 SM11/6*40*7	Screw SM11/6*40*7	2	2	2	2	2
20	1361300800	绕线夹线器	Bobbin winder thread tension	1	1	1	1	1
21	101S12001	底板支柱	Base plate pillar	4	4	4	4	4
22	13515002	底板	Slide plate	1	1	1	1	1
23	13512007	推板簧	Slide plate spring	1	1	1	1	1
24	101S11019	螺钉 SM3/3*56 L=2	Screw SM3/3*56 L=2	2	2	2	2	2
25	104S17002	螺钉 SM11/6*40 L=5	Screw SM11/6*40 L=5	2	2	2	2	2
26	13515001	针板	Needle plate	1	1	1	1	1
13515004		针板	Needle plate					
13515005		针板	Needle plate					
27	1473100100	绕线器组件	Bobbin winder assy	1	1	1	1	1
28	11426062	密封垫	Gaskets	1	1	1	1	1
29	114E11003	螺钉 3/16-28 L=10	Screw 3/16-28 L=10	3	3	3	3	3
30	114S11015	螺钉 SM9/64*40 L=6	SCREW SM9/64*40 L=6	2	2	2	2	2
31	11419001	切线刀	THREAD CUTTER	1	1	1	1	1
32	13822001	操作屏孔塞	Rubber plug	2	2	2	2	2
33	138S05001	面板螺钉M3 L=12	Screw M3 L=12	2	2	2	2	2
34	1363001000	少鸟巢电子夹线器	Nest less e-device	1	1	1	1	1
11473001700		电子夹线器	Nest less e-device					
35	421S11008	螺钉 M4*10	Screw M4*10	2	2	2	2	2
36	1.1473E+10	机壳电控	Machine electric control	1	1	1	1	1
11473301300		机壳电控(物联网)	Machine electric control					
37	114S13001	螺钉 M5*20	Screw M5*20	1	1	1	1	1
38	S05901	螺钉M5*50	Screw M5*50	3	3	3	3	3
39	W01009	垫圈5	Washer 5	1	1	1	1	1

2. 上轴挑线分组件/Main shaft & thread take-up components

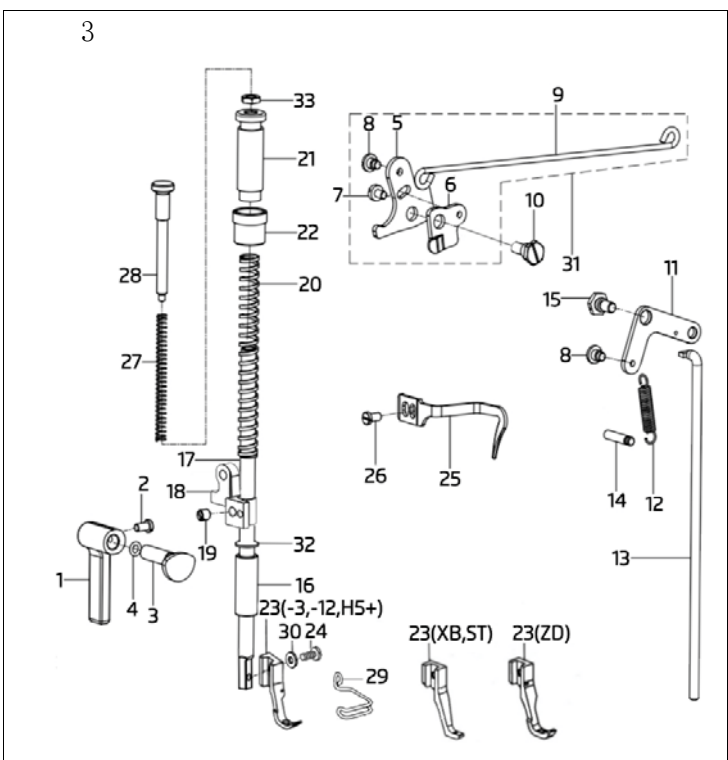
序号 NO.	公司件号 Part NO.	名称 PartName	零件描述 Description	数量 Number				
				-3	XB	ZD	ST	H6+
1	114702004	上轴	Main shaft	1	1	1	1	1
2	10122012	上轴橡皮塞	Rubber plug	1	1	1	1	1
3	10108003	上轴紧圈	Shaft washer	1	1	1	1	1
4	101S15002	螺钉 SM1/4*40*6	Screw SM1/4*40*6	2	2	2	2	2
5	13603023	上轴前轴套	Main shaft bushing, front	1	1	1	1	1
6	13503017	上轴中轴套	Main shaft bushing, middle	1	1	1	1	1
7	135S15006	螺钉 SM15/64*28	Screw SM15/64*28	1	1	1	1	1
8	114703004	上轴后套	Main shaft bushing, back	1	1	1	1	1
9	13522010	上轴后轴套油封组件	bushing, back oil seal assy	1	1	1	1	1
10	304714	主动轮	Capstan	1	1	1	1	1
11	S10009	主动轮螺钉 M6*8	CapstanScrew M6*8	2	2	2	2	2
12	1353800200	挑线杆组件	Thread take-up assy	1	1	1	1	1
13	13502003	挑线杆铰链销	Thread take-up hinge pin	1	1	1	1	1
14	135S15009	螺钉 SM15/64*28	Screw SM15/64*28	1	1	1	1	1
15	13504001	针杆曲柄	Needle bar crank	1	1	1	1	1
16	101S15007	螺钉 SM1/4*40*8	Screw SM1/4*40*8	1	1	1	1	1
17	135S12001	螺钉 SM1/4*40	Screw SM1/4*40	1	1	1	1	1
18	101S15004	螺钉 SM9/32*28*16	Screw SM9/32*28*16	1	1	1	1	1
19	135S11002	螺钉 SM9/32*28	Screw SM9/32*28	1	1	1	1	1
20	14703006	针杆上衬套	Needle bar upper bushing	1	1	1	1	1
21	10122013	针杆上衬套橡皮塞	Upper bushing rubber plug	1	1	1	1	1
22	13503007	针杆下衬套	Needle bar lower bushing	1	1	1	1	1
23	14735001	驱动轮	BTW-DRIVING-WHEEL	1	1	1	1	1
24	13602002	针杆	Needle bar	1	1	1	1	1
25	13513011	针杆过线环	Needle bar threading	1	1	1	1	1
26	13517001	机针 (DPx17 23#)	Needle	1	1	1	1	1
114717003		机针 (DPx17 21#)	Needle					
11617002		机针 (DPx5 14#)	Needle					
27	101S11006	螺钉 SM1/8*44 L=4.5	Screw SM1/8*44 L=4.5	1	1	1	1	1
28	13609001	滑块槽	Slider trough	1	1	1	1	1
29	11409001	针杆接头滑块	Connection slider	1	1	1	1	1
30	101S11008	滑块导轨螺钉	Slider guide screw	2	2	2	2	2
31	13505002	针杆接头	Needle bar connection	1	1	1	1	1
31-1	101S11005	螺钉 SM9/64*40*6	Screw SM9/64*40*6	1	1	1	1	1
32	101S11005	螺钉 SM11/64*40*8	Screw SM11/64*40*8	1	1	1	1	1
33	13612001	松线钢绳固定架	Fixed frame	1	1	1	1	1
34	13612002	松线压板	Press plate	1	1	1	1	1

35	10112003	垫片	Washer	1	1	1	1	1
36	13523001	毛毡	Oil felt for needle bar	1	1	1	1	1
37	101S11010	松线钢绳固定架螺钉	Fixed frame screw	2	2	2	2	2
38	13627002	铰链弹簧	Spring	1	1	1	1	1
39	13612003	松线铰链	Hinge	1	1	1	1	1
40	13626001	铰链销	HingePin	1	1	1	1	1
41	H05024	开口挡圈	RETAINING RING	1	1	1	1	1
42	136S12001	铰链螺钉	HingeScrew	1	1	1	1	1
43	114733011	电机 (众邦)	Motor (zhongbang)	1	1	1	1	1
44	W02004	弹簧垫圈	Spring washer	4	4	4	4	4
45		螺钉M5*70	Screw M5*70	4	4	4	4	4
49	S10035	螺钉 M5*8	ScrewM5*8	2	2	2	2	2
50	114723001	针杆上毡塞	Oil felt for needle bar	1	1	1	1	1
51	13811060	电机绝缘防护罩	Motor insulation shield	1	1	1	1	1

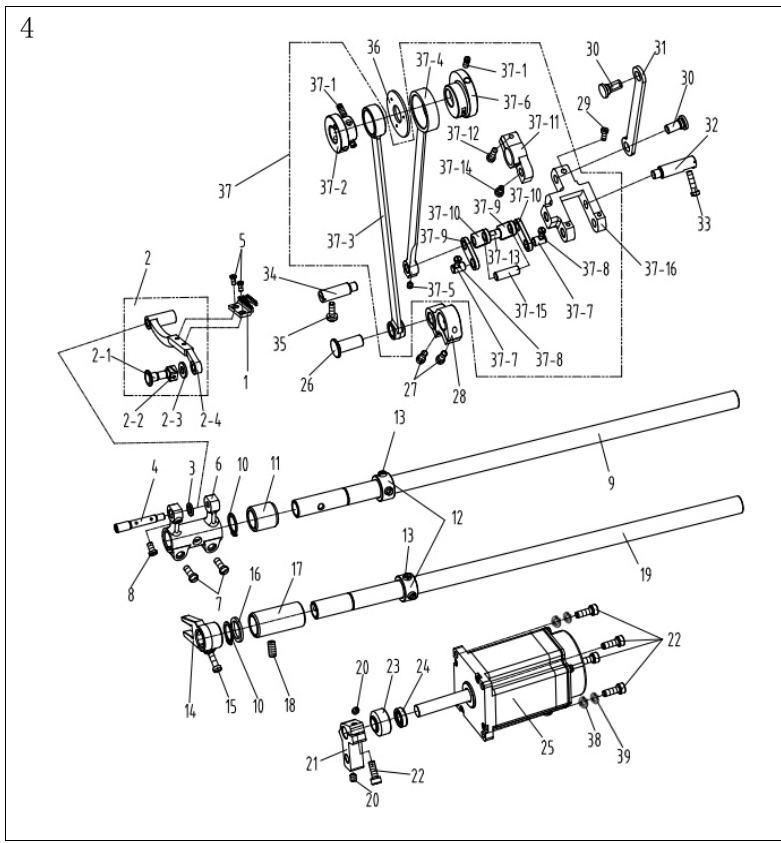


3. 压料分组件/Presser bar components

序号 NO.	公司件号 Part NO.	名称 PartName	零件描述 Description	数量 Number				
				-3	XB	ZD	ST	H6+
1	14711005	压脚扳手	Presserfoot wrench	1	1	1	1	1
2	101S11008	螺钉 SM11/64*40*8	screw SM11/64*40*8	1	1	1	1	1
3	13510004	压紧杆提升凸轮	Presser bar lifting cam	1	1	1	1	1
4	O01009	O型圈4.5X1.8	O-ring4.5X1.8	1	1	1	1	1
5	13512013	膝腔提升杆(左)	Knee lifter lever (left)	1	1	1	1	1
6	13510005	松线凸轮	Tension releasing cam	1	1	1	1	1
7	135S11026	螺钉 SM11/64*40	Screw SM11/64*40	1	1	1	1	1
8	135S11027	螺钉 SM3/16*28	screw SM3/16*28	1	1	1	1	1
9	13512014	膝腔提升杆	Knee lifter rod	1	1	1	1	1
10	135S11028	螺钉 SM15/64*28	Screw SM15/64*28	1	1	1	1	1
11	13512015	膝腔提升杆(右)	Knee lifter lever (right)	1	1	1	1	1
12	13527010	膝腔提升杆(右) 弹簧	Presser spring	1	1	1	1	1
13	13512016	膝腔提升杆	Knee lifter lever	1	1	1	1	1
14	13526005	弹簧销	Pin for spring	1	1	1	1	1
15	135S12002	螺钉 SM15/64*28	Screw SM15/64*28	1	1	1	1	1
16	114703012	压紧杆轴套	Presser bar bushing	1	1	1	1	1
17	13502019	压紧杆	Presser bar	1	1	1	1	1
18	114709001	压紧杆导架 (加轴承)	Presser bar lifting bracket	1	1	1	1	1
19	135S15003	螺钉 SM15/64*28	Screw SM15/64*28	1	1	1	1	1
20	14727011	压紧杆弹簧	Presser spring	1	1	1	1	1
21	135S30004	螺钉 M15*1	screw M15*1	1	1	1	1	1
22	135S16003	螺母 M15*1	Nut M15*1	1	1	1	1	1
23	13516001	小压脚	Presserfoot complete	1	1	1	1	1
13516004		小压脚	Presserfoot complete					
13516006		小压脚	Presserfoot complete					
13516005		小压脚	Presserfoot complete					
24	101S11009	螺钉 SM9/64*40*10.5	Screw SM9/64*40*10.5	1	1	1	1	1
25	13513012	大线钩	thread guide	1	1	1	1	1
26	101S11008	螺钉 SM11/64*40*8	Screw SM11/64*40*8	1	1	1	1	1
27	14727012	辅助调压弹簧	Presser spring	1	1	1	1	1
28	135S30005	螺钉 SM5/16*28	Screw SM5/16*28	1	1	1	1	1
29	13512017	防护钩	Defendhook	1	1	1	1	1
30	13528007	小压脚螺钉垫片	Washer	1	1	1	1	1
31	1.351E+09	膝腔提升杆(左) 组件	Knee lifter lever (left) assy	1	1	1	1	1
32	30122022	压脚轴衬密封圈	Gasket	1	1	1	1	1
33	1147NS16001	六角螺母 SM5/16*28	Hex nut SM5/16*28	1	1	1	1	1

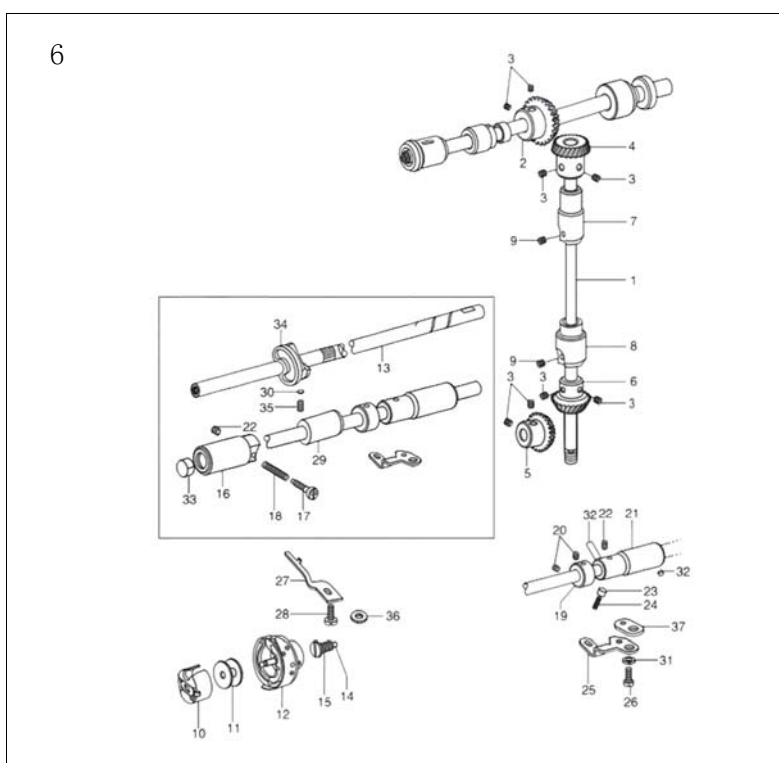
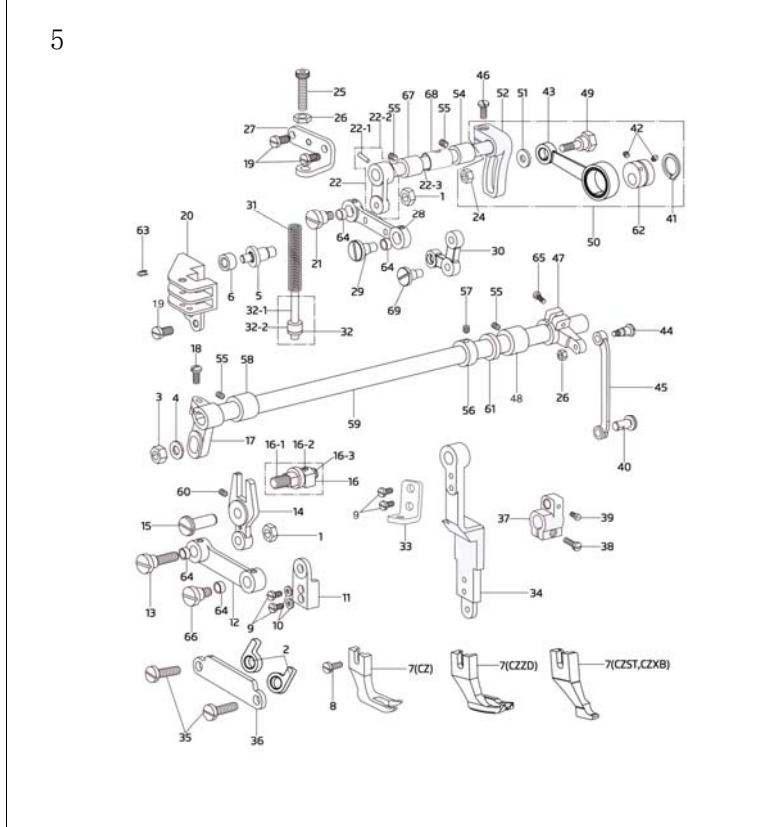


4.送料分组件/Feed mechanism components								
序号 NO.	公司件号 Part NO.	名称 PartName	零件描述 Description	数量 Number				
				-3	XB	ZD	ST	H6+
1	13514001	送布牙	Feed dog	1		1		1
2	13514002	送布牙	Feed dog		1		1	1
2-1	13502029	牙架连接销	Feed bar Connect Pin	1	1	1	1	1
2-2	13509007	滑块	Slide block	1	1	1	1	1
2-3	13528009	垫片	Washer	1	1	1	1	1
2-4	13507001	牙架	Feed bar	1	1	1	1	1
3	13528004	牙架垫圈	Washer	1	1	1	1	1
4	13502005	牙架曲柄偏心轴	Feed bar shaft	1	1	1	1	1
5	101S11018	螺钉 SM1/40 L=6	Screw SM1/40 L=6	2	2	2	2	2
6	13504003	牙架曲柄	Feed crank assy	1	1	1	1	1
7	101S11016	螺钉 SM3/16x28 L=14	Screw SM3/16x28 L=14	2	2	2	2	2
8	101S11008	螺钉 SM11/64x40x8	Screw SM11/64x40x8	1	1	1	1	1
9	13602003	送布轴	Feed rocker shaft	1	1	1	1	1
10	H03001	轴用弹性挡圈	Retaining ring	2	2	2	2	2
11	13603024	送布轴前轴套	Bushing for feed rock shaft(right)	1	1	1	1	1
12	10108003	拾牙、送布轴套圈	Thrust collar assy	2	2	2	2	2
13	101S15002	螺钉 SM1/40x6	Screw SM1/40x6	4	4	4	4	4
14	13505004	拾牙叉	Feed forked connection	1	1	1	1	1
15	409S11021	拾牙叉夹紧螺钉	Screw	1	1	1	1	1
16	13528006	垫圈	Washer	1	1	1	1	1
17	13603005	拾牙轴前轴套	Bushing for feed rock shaft(right)	1	1	1	1	1
18	135S15008	拾牙轴前轴套螺钉	Screw	1	1	1	1	1
19	13602004	拾牙轴	Feed lifting rock shaft	1	1	1	1	1
20	S10035	螺钉 M5x8	ScrewM5x8	2	2	2	2	2
21	114704003	针距调节曲柄	Needle pitch Adjust Crnk	1	1	1	1	1
22	S05004	螺钉 M5x14	Screw M5x14	5	5	5	5	5
23	114903001	步进电机轴套	Stepper motor bushing	1	1	1	1	1
24	114922002	步进电机轴套油封	Stepper motor bushing oil seal	1	1	1	1	1
25	114733009	ZB-SMH6步进电机	Stepper motor	1	1	1	1	1
26	13502009	拾牙曲柄铰链轴	Hinge pin	1	1	1	1	1
27	135S11048	螺钉 SM3/16x32	Screw SM3/16x32	2	2	2	2	2
28	409S11015	螺钉 SM3/16x28x15.5	Screw SM3/16x28x15.5	1	1	1	1	1
29	13504019	拾牙右曲柄	Feed lifting rock shaft crank(right)	1	1	1	1	1
30	13504017	拾牙右曲柄	Feed lifting rock shaft crank(right)	1	1	1	1	1
31	201S11012	S02螺钉 SM9/64X40	Screw SM9/64X40	1	1	1	1	1
32	114926001	针距曲柄销	Needle pitch crank pin	2	2	2	2	2
33	114705009	针距调节连杆	Adjust connecting rod	1	1	1	1	1
34	13502017	针距调节曲柄定位销(右)	Adjusting link fulcrum shaft pin	1	1	1	1	1
35	114S11004	螺钉 SM11/64x40x18	Screw SM 11/64x40x18	1	1	1	1	1
36	13502016	针距调节曲柄定位销(左)	Adjusting link fulcrum shaft	1	1	1	1	1
37	105S11019	螺钉 SM11/64x40 L=13	Screw SM11/64x40 L=13	1	1	1	1	1
38	13528002	凸轮隔离片	Thrust collar	1	1	1	1	1
39	1.1471E+10	拾牙、送布连杆组件	Connecting rod assy	1	1	1	1	1
40	135S15007	凸轮螺钉 SM11/64x40	Screw SM11/64x40	6	6	6	6	6
41	13510001	拾牙凸轮	Feed drive eccentric cam.	1	1	1	1	1
42	13505001	拾牙连杆	Connecting rod	1	1	1	1	1
43	13505005	送布连杆	Rocker shaft connecting rod	1	1	1	1	1
44	209S14008	螺钉 SM11/64x40x4.5	Screw SM11/64x40x4.5	1	1	1	1	1
45	13510003	送布凸轮	Feed drive eccentric cam.	1	1	1	1	1
46	13526003	曲柄连杆短销	Crank connecting pin	2	2	2	2	2
47	201S11012	螺钉 SM9/64X40	Screw SM9/64X40	2	2	2	2	2
48	13505024	曲柄短连杆	connecting short link	2	2	2	2	2
49	13505023	曲柄长连杆	Crank long link	2	2	2	2	2
50	13504004	送布曲柄(右)	Feed rocker shaft crank assy	1	1	1	1	1
51	409S11021	螺钉 SM11/64x40x14	Screw SM11/64x40x14	1	1	1	1	1
52	13526001	送布曲柄短销	Walking foot crank short pin	1	1	1	1	1
53	101S11025	螺钉 SM11/64x40x7	Screw SM11/64x40x7	1	1	1	1	1
54	13502014	曲柄连杆长销	Crank connecting pin	1	1	1	1	1
55	114704004	送料摆动板座	Swing seat	1	1	1	1	1
56	10128003	平垫片	Washer	4	4	4	4	4
57	W03002	弹性垫圈	Sping washer	4	4	4	4	4



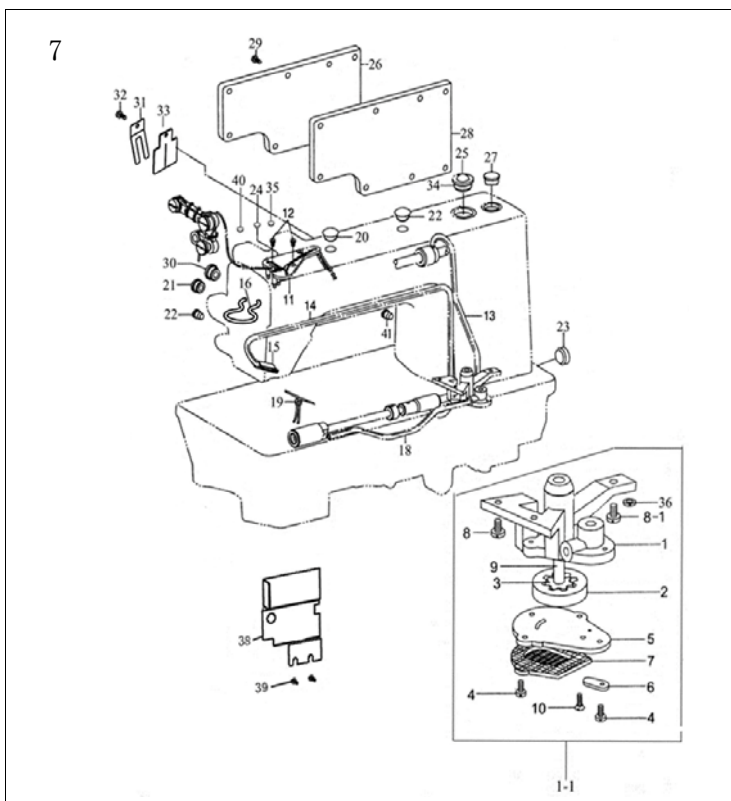
5.送料部件/Upper feed Parts								
序号 NO.	公司件号 Part NO.	名称 PartName	零件描述 Description	数量 Number				
				-3	XB	ZD	ST	H6+
1	135S16004	螺母 SM1/4x40	Nut SM1/4x40	2	2	2	2	2
2	114708001	压脚连杆压板垫块	Shim	2	2	2	2	2
3	135S16005	螺母 SM1/4x24	Nut SM1/4x24	1	1	1	1	1
4	11628005	拾牙固定螺钉垫圈	Washer	1	1	1	1	1
5	1147NS30002	送料曲柄导柱轴	Guide shaft	1	1	1	1	1
6	13508004	提升压脚导柱滚柱	Needle of bearing	1	1	1	1	1
7	13516002	压脚	Walking foot	1				1
8	13516003	压脚	Walking foot				1	
9	114716007	压脚	Walking foot	1				
10	13516006	压脚	Walking foot				1	
11	135S11030	螺钉 SM9/64x40	Screw SM9/64x40	1	1	1	1	1
12	201S11012	螺钉 SM9/64X40	Screw SM9/64X40	4	4	4	4	4
13	W02002	垫圈	Washer	2	2	2	2	2
14	13601015	压脚杆座	Holder for walking foot bar	1	1	1	1	1
15	13505028	压脚连杆(加轴承)	Link of walking foot	1	1	1	1	1
16	135S20013	螺钉 SM1/4x40	Screw SM1/4x40	1	1	1	1	1
17	13505030	压脚叉形杆(加轴承)	Fork lever	1	1	1	1	1
18	13526006	压脚叉形杆销	Pin	1	1	1	1	1
19	1420900400	摆动轴左曲柄调节柱组件	Crank shaft complete asm	1	1	1	1	1
20	142S30011	摆动轴左曲柄调节柱	Crank shaft complete	1	1	1	1	1
21	14209004	曲柄调节柱滑块	Slide block	1	1	1	1	1
22	H05029	开口挡圈	Splining	1	1	1	1	1
23	13504020	压脚摆动前曲柄	Presser swing shaft	1	1	1	1	1
24	402S13011	螺钉 SM15/64x28x18	Screw SM15/64x28x18	1	1	1	1	1
25	101S11008	螺钉 SM11/64x40x8	Screw SM11/64x40x8	4	4	4	4	4
26	13509004	提升压脚定位板	Lifting presser plate	1	1	1	1	1
27	135S20012	螺钉 SM1/4x40	Screw SM1/4x40	1	1	1	1	1
28	1350401500	压脚升降前曲柄组件	Presser lifting crank	1	1	1	1	1

22-1	113602001	压脚升降轴	Presser lifting crank	1	1	1	1	1
22-2	13526007	圆锥销	Taper pin	1	1	1	1	1
23	13504009	压脚升降前曲柄	Pressure foot lifting shaft	1	1	1	1	1
24	N02001	六角螺母 M6X0.75	Hex Nut M6X0.75	1	1	1	1	1
25	135S30007	螺钉 SM9/32x28	Screw SM9/32x28	1	1	1	1	1
26	135S16006	螺母 SM9/32x28	nut SM9/32x28	2	2	2	2	2
27	114712013	压脚升降轴螺钉架	Lifting presser bracket for spring	1	1	1	1	1
28	13505027	压脚送料曲柄连杆(加轴承)	Presser feed crank link	1	1	1	1	1
29	1147NS20001	螺钉 SM1/4x40x7	Screw SM1/4x40x7	1	1	1	1	1
30	114704001	压脚送料曲柄(加轴承)	Presser feed crank	1	1	1	1	1
31	14727013	压脚升降轴弹簧	Lifting presser spring	1	1	1	1	1
32	1350202100	调压杆弹簧导柱	Presser spring guide	1	1	1	1	1
32-1	13502026	调压杆弹簧导柱	Presser spring guide	1	1	1	1	1
32-2	13502027	调压杆弹簧导柱套	Presser spring guide bushing	1	1	1	1	1
33	114712012	提升压脚导柱架组件	Lifting presser guide assy	1	1	1	1	1
33-1	13501005	提升压脚导柱定位板	Lifting presser guide plate	1	1	1	1	1
33-2	13512020	提升压脚导柱架	Lifting presser guide plate	1	1	1	1	1
33-3	135S11036	螺钉 SM1/4x40x3	Screw SM1/4x40x3	1	1	1	1	1
34	13501006	压脚杆	Presser rod guide	1	1	1	1	1
35	116S11005	螺钉 SM11/64x40x13	Screw SM11/64x40x13	2	2	2	2	2
36	114712020	提升压脚导柱架	Lifting presser sway crank guide pin	1	1	1	1	1
37	13504011	送布轴曲柄(中)	Feed rocker shaft middle	1	1	1	1	1
38	101S11025	螺钉 SM11/64x40x7	Screw SM11/64x40x7	1	1	1	1	1
39	116S11005	螺钉 SM11/64x40x13	Screw SM11/64x40x13	1	1	1	1	1
40	135S20004	大连杆曲柄连接销	pin	1	1	1	1	1
41	H03061	轴用弹性挡圈24	Retaining ring 24	1	1	1	1	1
42	101S15007	轴用弹性挡圈26	Retaining ring 26	2	2	2	2	2
43	1.1471E+10	连杆小组件	Connecting rod widget	1	1	1	1	1
44	1.1471E+10	连杆小组件(4.5mm)	Connecting rod widget (4.5mm)	1	1	1	1	1
45	135S20005	螺钉 SM9/32x28	Screw SM9/32x28	1	1	1	1	1
46	13505014	压脚大连杆	Presser swing crank(right)rod	1	1	1	1	1
47	135S11035	螺钉 SM1/4x24	Screw SM1/4x24	1	1	1	1	1
48	13504023	压脚摆动前曲柄	Presser swing crank(right)	1	1	1	1	1
49	13503014	压脚摆动轴中轴套	Presser swing middle shaft bushing	1	1	1	1	1
50	135S20006	螺钉 M6x0.75	Screw M6x0.75	1	1	1	1	1
51	1.1471E+10	连杆组件	Connecting rod assy	1	1	1	1	1
52	1.1471E+10	连杆组件(4.5mm)	Connecting rod(4.5mm)	1	1	1	1	1
53	1.1471E+10	连杆组件(2.5mm)	Connecting rod(2.5mm)	1	1	1	1	1
54	13528008	垫圈	Washer	1	1	1	1	1
55	13504013	偏心连杆调节曲柄	Presser lifting shaft	1	1	1	1	1
56	13603014	压脚提升轴前轴套	Presser lifting shaft bushing	1	1	1	1	1
57	135S15008	螺钉 SM15/64x28x6	Screw SM15/64x28x6	3	3	3	3	3
58	13508009	垫圈	Shaft washer	1	1	1	1	1
59	135S15004	螺钉 SM1/4x40x4	Screw SM1/4x40x4	2	2	2	2	2
60	13508008	压脚摆动轴前轴套	Presser swing shaft bushing (Left)	1	1	1	1	1
61	13502023	压脚摆动轴	Presser swing shaft	1	1	1	1	1
62	101S11001	螺钉 SM3/16x28 L=9	Screw SM3/16x28 L=9	1	1	1	1	1
63	1.1472E+10	摆动轴后套油封	Oil seal	1	1	1	1	1
64	114710001	压脚升降偏心轮	Eccentric wheel	1	1	1	1	1
65	114710003	压脚升降偏心轮(4.5mm)	Eccentric wheel(4.5mm)	1	1	1	1	1
66	114710002	压脚升降偏心轮(2.5mm)	Eccentric wheel(2.5mm)	1	1	1	1	1
67	P03035	弹性圆柱销3x8	Springround pin3x8	2	2	2	2	2
68	10124001	滚针轴承8x12x7.7	Needle bearing	4	4	4	4	4
69	402S13011	螺钉 SM15/64x28x18	Screw SM15/64x28x18	1	1	1	1	1
70	135S20014	螺钉 SM1/4x40	Screw SM1/4x40	1	1	1	1	1
71	13603013	压脚提升轴前套	Presser lifting shaft bushing	1	1	1	1	1
72	13603028	压脚提升轴中套	Presser lifting shaft bushing	1	1	1	1	1
73	1147NS20002	螺钉 SM1/4x40	Screw SM1/4x40	1	1	1	1	1



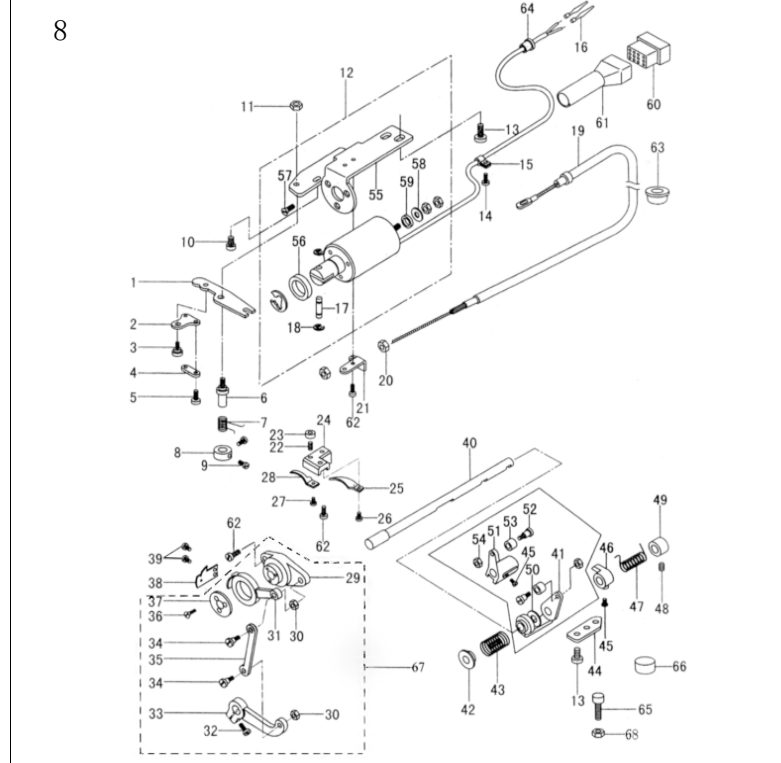
6. 旋梭部件/Hook components

序号 NO.	公司件号 Part NO.	名称 Part Name	零件描述 Description	数量 Number				
				-3	XB	ZD	ST	H6+
1	13502002	竖轴	Upright shaft	1	1	1	1	1
2	13525001	上轴伞齿轮	Gearasm.	1	1	1	1	1
3	13525007	螺钉 SM 1/4x40x8	Scmew SM 1/4x40x8	8	8	8	8	8
4	13525002	竖轴伞齿轮 (上)	Gearasm.	1	1	1	1	1
5	13525003	下轴伞齿轮	Pinion asm.	1	1	1	1	1
6	13525004	竖轴伞齿轮 (下)	Gearasm.	1	1	1	1	1
7	13503018	竖轴轴套 (上)	Bushing upper	1	1	1	1	1
8	13503019	竖轴轴套 (下)	Upright shaft bushing, Lower	1	1	1	1	1
9	13515008	螺钉 SM 15/64x28	Scmew SM 15/64x28	2	2	2	2	2
10	13618001	梭芯组件	Hook asm	1	1	1	1	1
11	10818501	梭芯	Bobbin	1	1	1	1	1
12	13618003	梭梭 (无尾)	Hook asm (without tail)	1	1	1	1	1
13	13618007	梭梭 (有尾)	Hook asm (with tail)	1	1	1	1	1
14	13602006	下轴	Hook driving shaft	1	1	1	1	1
15	1323003	下轴滤油塞	Oil sck	1	1	1	1	1
16	135220007	螺钉 SM 3/16x32	Scmew SM 3/16x32	1	1	1	1	1
17	13503009	下轴前轴套	Bushing front	1	1	1	1	1
18	135220008	螺钉 SM 15/64x28	Scmew SM 15/64x28	1	1	1	1	1
19	13527005	油量调节弹簧	Spring	1	1	1	1	1
20	10108002	下轴紧圈	Thrust shrink collarasm.	1	1	1	1	1
21	13511012	螺钉 SM 11/64x40x4.8	Scmew SM 11/64x40x4.8	2	2	2	2	2
22	13603025	下轴轴套	Bushing rear	1	1	1	1	1
23	13515009	螺钉 SM 15/64x28	Scmew SM 15/64x28	1	1	1	1	1
24	13527006	柱塞	Plunger	1	1	1	1	1
25	13522009	档板	Guide plate	1	1	1	1	1
26	13511019	螺钉 SM 15/64x28	Scmew SM 15/64x28	1	1	1	1	1
27	13512010	旋梭定位钩	Rotating hook positioner	1	1	1	1	1
28	10151101	螺钉 SM 11/64x40x9.5	Scmew SM 11/64x40x9.5	1	1	1	1	1
29	13603026	下轴中轴套	Bushing middle	1	1	1	1	1
30	13628003	切线凸轮螺钉垫片	Washer	2	2	2	2	2
31	W 02004	档板螺钉弹簧垫圈	Washer	1	1	1	1	1
32	13521001	下轴轴套油管	Oil pipe for hook shaft bushing	1	1	1	1	1
33	13522001	下轴油封	Plunger	1	1	1	1	1
34	13610003	切线凸轮	Thread trimmer cam	1	1	1	1	1
35	13614005	螺钉 SM 1/4x40x10	Scmew SM 1/4x40x10	2	2	2	2	2



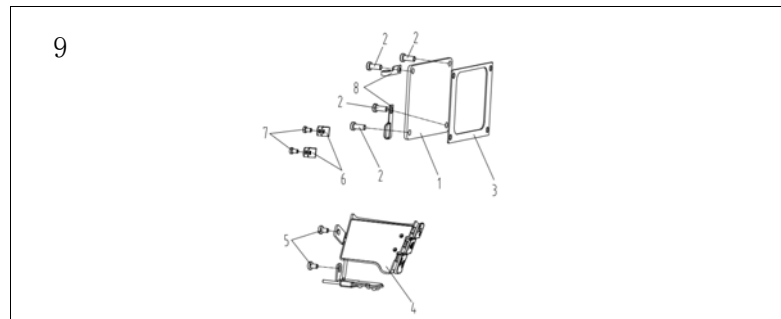
7. 润滑组件/Oil lubrication components

序号 NO.	公司件号 Part NO.	名称 Part Name	零件描述 Description	数量 Number				
				-3	XB	ZD	ST	H6+
1-1	135200200	油泵组件	Oil pump asm	1	1	1	1	1
1	13520001	油泵体	Oil pump p	1	1	1	1	1
2	13525005	油泵大齿轮	Big gear for oil pump p	1	1	1	1	1
3	13525006	油泵小齿轮	Small gear for oil pump p	1	1	1	1	1
4	13511037	螺钉 M 3x10	Scmew M 3x10	3	3	3	3	3
5	13512021	油泵体盖板	Cover for oil pump p	1	1	1	1	1
6	13512022	油泵调节板	Adjusting plate for oil pump p	1	1	1	1	1
7	13512024	油泵滤网	Oil pump p Filter	1	1	1	1	1
8	10511019	螺钉 SM 11/64x40x13	Scmew SM 11/64x40x13	2	2	2	3	3
8-1	13511004	螺钉 SM 11/64x40x18	Scmew SM 11/64x40x18	1	1	1	1	1
9	13502024	油泵体短轴	Shaft for oil pump p	1	1	1	1	1
10	S02032	油泵体盖板螺钉 M 3x6	Scmew M 3x6	2	2	2	2	2
11	1351202400	油线固定板大组件	Oil Wick set plate complete	1	1	1	1	1
12	10151101	螺钉 SM 9/64x40x11	Scmew SM 9/64x40x11	2	2	2	2	2
13	135100700	上轴油管组件	Oil pipe complete for upper shaft	1	1	1	1	1
14	12921002	回油管	Oil return pipe	1	1	1	1	1
15	13523003	回油管滤油毡	Oil filter	1	1	1	1	1
16	13472007	回油管压簧	Pipe return pipe clamp	1	1	1	1	1
18	136210010	下轴油管组件	Oil pipe for lower shaft	1	1	1	1	1
18-1	13621001	下轴油管	Oil pipe for lower shaft	1	1	1	1	1
18-2	13616001	下轴油管接头	Lower shaft hose connector	1	1	1	1	1
19	10423005	油线 2.5x260/2.5x290	Oil Wick	1	1	1	1	1
20	13522001	面板橡皮塞 (φ19)	Rubber plug (φ19)	1	1	1	1	1
21	13522002	面板橡皮塞 (φ11.8)	Rubber plug (φ11.8)	1	1	1	1	1
13	10122005	挑线连杆销螺孔塞	Take-up link pin screw plug	1	1	1	1	1
23	13522004	橡皮塞 (φ27)	Rubber plug (φ27)	1	1	1	1	1
24	13522005	橡皮塞 (φ5.7)	Rubber plug (φ5.7)	2	2	2	2	2
25	10110004	油窗	Oil sight window	1	1	1	1	1
26	304715	后盖板	Side plate	1	1	1	1	1
27	13522008	橡皮塞 (φ25.5)	Rubber plug (φ25.5)	1	1	1	1	1
28	13722006	后盖板密封垫片	Gasket	1	1	1	1	1
29	10151101	螺钉 SM 3/16x28x9	Scmew SM 3/16x28x9	8	8	8	8	8
30	12922001	橡皮塞	Rubber plug (φ12.5)	1	1	1	1	1
31	305102	小挡油板	Keep off plate	1	1	1	1	1
32	10151104	螺钉 SM 3/16x28x7	Scmew SM 3/16x28x7	1	1	1	1	1
33	13722011	小挡油板羊毛毡	Keep off plate wool felt	1	1	1	1	1
34	10122019	油窗 O 型圈	O-ring	1	1	1	1	1
35	134022013	A4.8-0.754孔塞 8.5	Rubber plug (φ8.5)	1	1	1	1	1
36	W 01006	GB/T97.1-1985垫圈 4	Spring washer	1	1	1	1	1
38	13612023	挡油板	Keep off plate	1	1	1	1	1
39	13511014	螺钉 SM 11/64x40x5.3	Scmew SM 11/64x40x5.3	2	2	2	2	2
40	10122005	挑线连杆销螺孔塞	Take-up link pin screw plug	1	1	1	1	1
41	13522003	橡皮塞 (φ8.8)	Rubber plug (φ8.8)	1	1	1	1	1



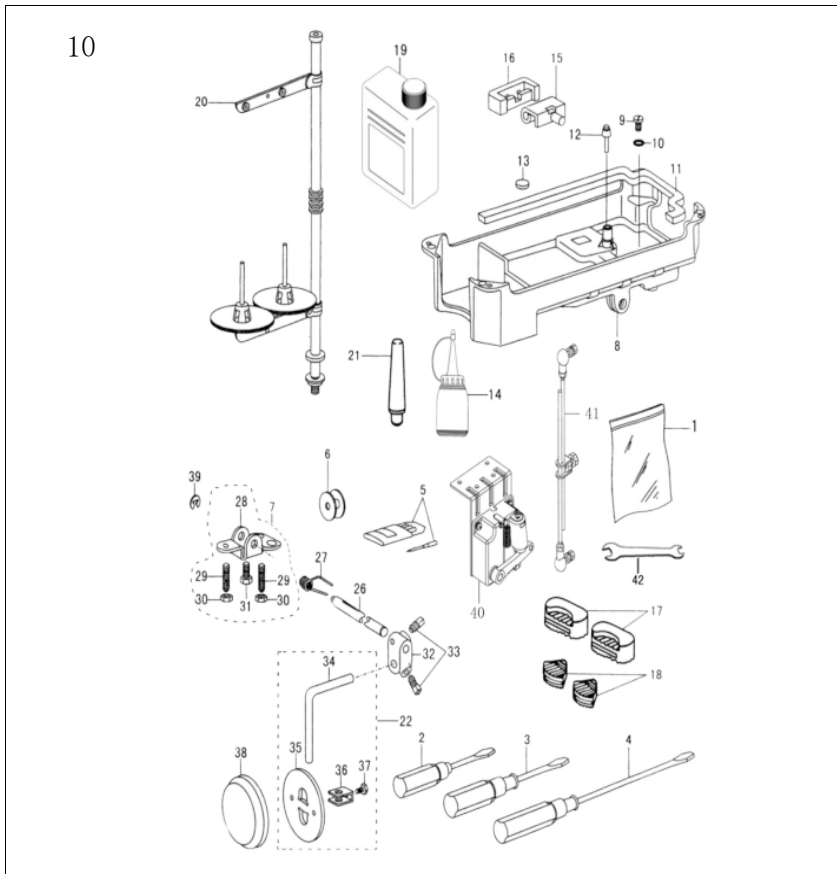
8. 切线装置部件/Thread trimmer components

序号 NO.	公司件号 Part NO.	名称 Part Name	零件描述 Description	数量 Number				
				-3	XB	ZD	ST	H6+
1	13612006	驱动板	Thread trimmer driving lever	1	1	1	1	1
2	13612007	软线支撑板	Adapter	1	1	1	1	1
3	136120001	螺钉 SM 11/64x40	Scmew SM 11/64x40	1	1	1	1	1
4	13612008	软线连板	Adapter	1	1	1	1	1
5	30512005	螺钉 SM 1/8x44	Scmew	2	2	2	2	2
6	13602007	驱动板轴	shaft	1	1	1	1	1
7	13627004	驱动板弹簧	Spring	1	1	1	1	1
8	30108004	驱动板轴紧圈	Shrink collar	1	1	1	1	1
9	10151105	螺钉 SM 9/64x40x6	Scmew SM 9/64x40x6	2	2	2	2	2
10	101511020	螺钉 SM 11/64x40x10.5	Scmew SM 11/64x40x10.5	1	1	1	1	1
11	134316005	螺母 SM 15/64x28	Nut SM 15/64x28	1	1	1	1	1
12	1363000600	剪线电磁铁	Thread electromagnet drive assembly	1	1	1	1	1
13	201511029	螺钉 SM 15/64x28x11	Scmew SM 15/64x28x11	4	4	4	4	4
14	101511025	螺钉 SM 11/64x40x7	Scmew SM 11/64x40x7	1	1	1	1	1
15	12312011	电线固定夹	Cable clip	1	1	1	1	1
16		插头接头	Plug connector	2	2	2	2	2
17	13626005	剪线电磁铁销	Pin	1	1	1	1	1
18	H05012	挡圈	Ring	2	2	2	2	2
19	1361300300	松线钢丝绳组件	Loose wire rope assembly	1	1	1	1	1
20	136130010	软线螺母	Nut	2	2	2	2	2
21	13612009	软线座	The mounting plate	1	1	1	1	1
22	136130004	螺钉 SM 11/64x40x8.9	Scmew SM 11/64x40x8.9	1	1	1	1	1
23	136130003	螺母 SM 9/64x40	Scmew SM 9/64x40	1	1	1	1	1
24	13610007	定刀座	Bracket for fixed blade	1	1	1	1	1
25	13612010	栏线板	Thread guide	1	1	1	1	1
26	101511005	螺钉 SM 9/64x40x6	Scmew SM 9/64x40x6	1	1	1	1	1
27	13617001	螺钉 SM 9/64x40x4	Scmew SM 9/64x40x4	1	1	1	1	1
28	13619001	定刀片	Fixed blade	1	1	1	1	1
29	42209006	刀架	Knife holding bracket saddle	1	1	1	1	1
30	42216002	螺母 SM 11/64x40	Nut SM 11/64x40	2	2	2	2	2
31	42204008	切线刀架L	Knife base (left)	1	1	1	1	1
32	805005	螺钉 M 5x12	Scmew M 5x12	1	1	1	1	1
33	13604001	剪线电磁铁驱动曲柄	Knife driving crank	1	1	1	1	1
34	42220006	螺钉 SM 11/64x40x5.5	Scmew SM 11/64x40x5.5	2	2	2	2	2
35	42205008	刀架连杆	Link	1	1	1	1	1
36	42217006	螺钉 SM 1/8x44x5.4	Scmew SM 1/8x44x5.4	3	3	3	3	3
37	42212049	刀架垫圈	Washer	1	1	1	1	1
38	13619002	动刀片	Movable knife (left)	1	1	1	1	1
39	13517002	螺钉 SM 11/64x40x4.5	Scmew SM 11/64x40x4.5	2	2	2	2	2
40	13602008	凸轮曲柄轴	Knife driving shaft	1	1	1	1	1
41	13604002	切线凸轮右曲柄	Tangent cam right crank	1	1	1	1	1
42	13601010	扭簧端盖	Torsion spring end cap	1	1	1	1	1
43	13627005	曲柄轴弹簧	Spring	1	1	1	1	1
44	13612011	止动板	Stopper plate	1	1	1	1	1
45	13614002	螺钉 SM 15/64x28x6	Scmew SM 15/64x28x6	3	3	3	3	3
46	13601011	限位块	Stopper	1	1	1	1	1
47	13627006	凸轮轴扭簧	Spring	1	1	1	1	1
48	13514020	螺钉 SM 11/64x40x6	Scmew SM 11/64x40x6	2	2	2	2	2
49	20108001	凸轮轴紧圈	Thrust collar	1	1	1	1	1
51	13604003	切线凸轮左曲柄	Tangent cam left crank	1	1	1	1	1
52	136220003	螺钉 SM 3/16x28x8	Scmew SM 3/16x28x8	2	2	2	2	2
53	13609002	滚轮	Cam follower	2	2	2	2	2
54	13617005	滚轮螺母 SM 3/16x28x3	Nut SM 3/16x28x3	2	2	2	2	2
55	13612012	剪线电磁铁安装架	Wire trimmer electromagnet mounting bracket	1	1	1	1	1
56	13628005	密封垫圈 (大)	Gasket	1	1	1	1	1
57	13617004	剪线电磁铁紧固螺钉	Scmew	3	3	3	3	3
58	13628006	平垫圈	Washer	1	1	1	1	1
59	13628007	密封垫圈 (小)	Washer	1	1	1	1	1
60		插头套	Plug sleeve	1	1	1	1	1
61		线罩	Wire cover	1	1	1	1	1
62	101511025	螺钉 SM 11/64x40x7	Scmew SM 11/64x40x7	4	4	4	4	4
63	13628011	栏线板垫片	Gasket	1	1	1	1	1
64	10122110	橡皮塞 (单孔)	Wire plug	1	1	1	1	1
65	136130002	止动螺钉 M 6x16	Scmew M 6x16	1	1	1	1	1
66	13628008	缓冲垫	Cushion	1	1	1	1	1
67	136010800	刀架组件	Knife holding bracket saddle assembly	1	1	1	1	1
68	20513002	螺母 M 6x3.5	Nut M 6x3.5	1	1	1	1	1



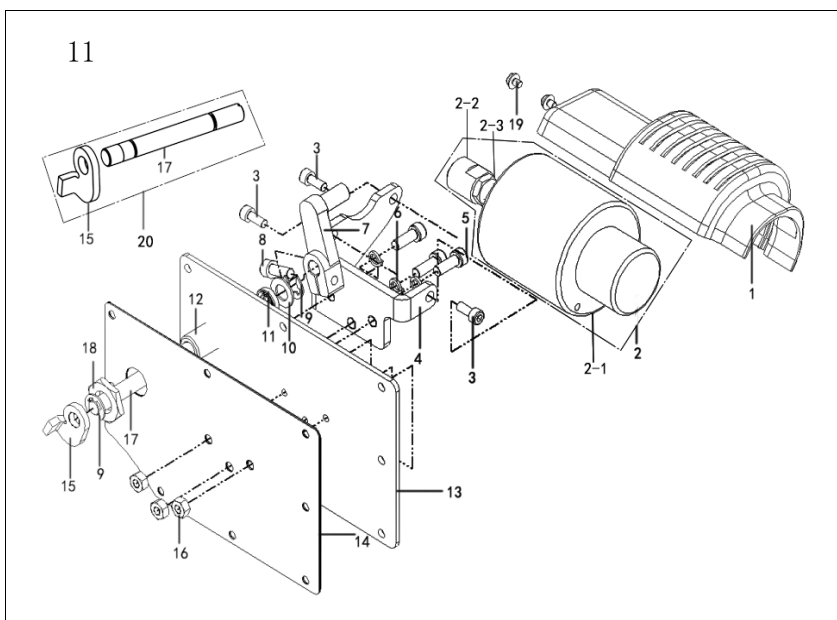
9. 自动倒送料开关组件/Automatic reverse feed components

序号 NO.	公司件号 Part NO.	名称 Part Name	零件描述 Description	数量 Number				
				-3	XB	ZD	ST	H6+
1	302662	侧盖板 (喷漆)	Backstop solenoid cover</					



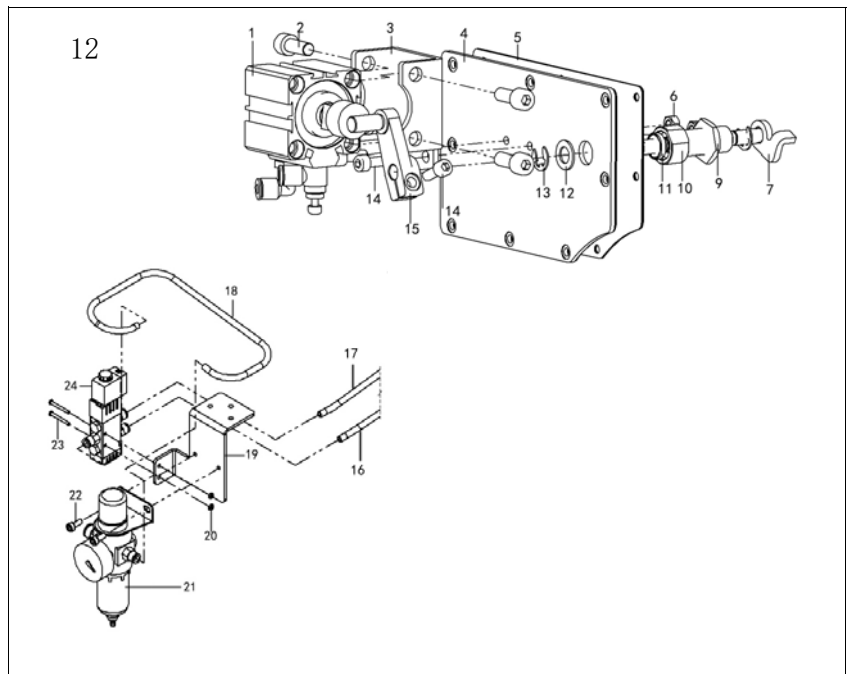
10.机头附件/Machine head accessories

序号 NO.	公司件号 Part NO.	名称 PartName	零件描述 Description	数量 Number					
				-3	XB	ZD	ST	H6+	
1	114131001	A5-13 防尘罩	Machine head cover	1	1	1	1	1	1
2	10131004	螺钉起子 (小)	Screw driver (small)	1	1	1	1	1	1
3	10131003	螺钉起子 (中)	Screw driver (middle)	1	1	1	1	1	1
4	20731047	螺丝刀	Screw driver (large)	1	1	1	1	1	1
5	13517001	机针 (DP×17 23#)	Needle (DP×17 23#)	4	4	4	4	4	4
	114717003	机针 (DP×17 21#)	Needle (DP×17 21#)		4				
	11617002	机针 (DP×5 14#)	Needle (DP×5 14#)				4		
6	10818501	梭芯	Bobbin	5	5	5	5	5	5
7	1351203700	膝控限位架组件	Knee control limit frame assembly	1	1	1	1	1	1
	1350100900	油盘组件	Oil pan assembly	1	1	1	1	1	1
	13501007	油盘	Oil reservoir	1	1	1	1	1	1
8	101S11028	放油螺钉 SMS/16×24×7	Screw SMS/16×24×7	1	1	1	1	1	1
10	001047	放油螺钉垫圈	Washer	1	1	1	1	1	1
11	13523006	油盘垫	Gasket	1	1	1	1	1	1
12	13511006	膝控提升顶杆	Knee press lifter rod	1	1	1	1	1	1
13	10131001	磁块	Magnet	1	1	1	1	1	1
14	20131038	小油壶	Oil pot	1	1	1	1	1	1
15	10122060	机壳铰链	Rubber coat	2	2	2	2	2	2
16	1011203100	机壳铰链套	Hing	2	2	2	2	2	2
17	113522001	机头防震垫块 (大)	Cushion (big)	2	2	2	2	2	2
18	10122022	机头防震垫块 (小)	Cushion (small)	2	2	2	2	2	2
19	1011101200	油箱	Oil tank	1	1	1	1	1	1
20	1383100300	线架组件	Spool stand complete	1	1	1	1	1	1
21	10111011	机头支柱	Frame support bar	1	1	1	1	1	1
22	1351203800	膝控操纵杆组件	Joystick assembly	1	1	1	1	1	1
26	13502025	膝控铰链轴	Hinge pin	1	1	1	1	1	1
27	13527014	膝控复位弹簧	Spring	1	1	1	1	1	1
28	13512026	膝控限位架	Knee lifter stop bracket	1	1	1	1	1	1
29	135S15019	膝控限位调节螺钉 M6	Screw M6	2	2	2	2	2	2
30	N01029	调节螺母 M6	Nut M6	2	2	2	2	2	2
31	135S12003	膝控限位架螺钉 M6	Screw M6	1	1	1	1	1	1
32	10101008	磁块弯杆接头	Connector	1	1	1	1	1	1
33	101s12003	螺钉 M8	Screw M8	2	2	2	2	2	2
34	13512038	膝控磁块弯杆	Bent rod	1	1	1	1	1	1
35	10112029	膝控磁块	Bell	1	1	1	1	1	1
36	10112030	磁块架	Bell bracket	1	1	1	1	1	1
37	101s12004	磁块架螺钉 M6×11	Screw M6×11	1	1	1	1	1	1
38	10122024	磁块垫	mat	1	1	1	1	1	1
39	H05010	开口挡圈	Split stop ring	1	1	1	1	1	1
40	10130044	电控脚踏	Electric control pedal	1	1	1	1	1	1
41	20730335	脚踏连杆	Pedal connecting rod	1	1	1	1	1	1
42	114712003	开口扳手 (14-10)	open wrench	1	1	1	1	1	1



11.新款自动抬压脚部件/New automatic presser foot parts

序号 NO.	公司件号 Part NO.	名称 PartName	零件描述 Description	数量 Number		
				CZ-4	CZZD-4	CZXB-4
1	114744001	电磁铁防护罩	Electromagnet shield	1	1	1
2	11473000400	抬压脚电磁铁组件	Lifting foot electromagnet assembly	1	1	1
2-1	11473000400-0	抬压脚电磁铁	Lift the piezoelectric magnet	1	1	1
2-2	30111151	塑料垫块	plastic pads	1	1	1
2-3	11473000400-0	六角螺母M10	NUT M10	1	1	1
3	S05005	螺钉 M5×12	Screw M5×12	3	3	3
4	114712006	电磁铁安装架	Electromagnet mount	1	1	1
5	207S11026	螺钉 M6×16	Screw M6×16	3	3	3
6	W02004	M6 不锈钢弹垫	Spring washer M6	3	3	3
7	114704002	自动抬压脚曲柄	Automatic lifting foot crank assembly	1	1	1
8	207S11026	曲柄紧固螺钉M6×16	ScrewM6×16	1	1	1
9	12929003	挡圈E8	Retaining ring E8	2	2	2
10	12928004	轴向垫圈A 1.2MM	Axial washer 1.2MM	1	1	1
11	30122039	压脚轴套油封	Oil seal	1	1	1
12	114703002	套筒	Sleeve	1	1	1
13	114712010	后窗板	Rear window	1	1	1
14	114722004	后窗板密封垫	Rear window gasket	1	1	1
15	114712007	自动抬压脚内曲柄	Automatic lifting foot crank	1	1	1
16	N01007	六角螺母M6	Nut M6	1	1	1
17	114702003	自动抬压脚轴	Lifting foot shaft	1	1	1
18	112S16011	套筒螺母 M16×1.5	Sleeve nut M16×1.5	1	1	1
19	421S11009	螺钉 M4×6	Screw M4×6	2	2	2
20	11470200300	自动抬压脚轴组件	Automatic lifting footshaft assembly	1	1	1



12.气动抬压脚部件/Automatic presser foot parts

序号 NO.	公司件号 Part NO.	名称 PartName	零件描述 Description	数量 Number	
				CZP-4	
1	11474500200	抬压脚气缸组件	Lifting foot cylinder assembly	1	
2	S05007	螺钉M8×20	Screw M8×20	4	
3	114712008	气缸安装支架	Cylinder mounting plate	1	
4	930000268	后窗板 (气动) 喷漆	Rear window	1	
5	114722003	后窗板密封垫片 (气动)	Rear window gasket	1	
6	N01007	六角螺母M6	Nut M6	2	
7	114712007	自动抬压脚轴组件	Lifting foot shaft Asm	1	
9	112S16011	套筒螺母 M16×1.5	Sleeve nut M16×1.5	1	
10	114703002	套筒	Sleeve	1	
11	30122039	压脚轴套油封	Oil seal	1	
12	12928004	轴向垫圈A 1.2MM	Axial washer 1.2MM	1	
13	H05001	开口挡圈	Retaining ring E8	1	
14	207S11026	缸缸安装架固定螺钉	Screw	3	
15	114704002	自动抬压脚曲柄	Automatic lifting foot crank	1	
16		气管	Trachea	2	
17		气管	Trachea	1	
18		气管	Trachea	1	
19	142312006	气压阀安装板	Valve mounting plate	1	
20	N01013	GB/T6170-19螺母M3 (镀锌)	Nut M3	2	
21	11424500700	电磁阀组件	The electromagnetic valve Asm	1	
22	S05005	螺钉M5×12	Screw M5×12	2	
23	407S04053	十字半圆头螺钉M3×25	Screw M3×25	2	

杰克缝纫机股份有限公司 杰克缝纫机 全球销量遥遥领先

公司地址(Address of Company):
中国浙江省台州市椒江区三甲东大道东段1008号
NO.1008, DONGHAI AVENUE RASZHAOJIANG DISTRICT, TAIZHOU CITY,
邮编 (Zip Code): 318000
国内销售部(Domestic Trade Department):
电话(TEL): 0086-0576-88177788 88177789
传真(FAX): 0086-0576-88177758
国际贸易部(International Trade Department):
电话(TEL): 0086-0576-88177782 88177774
传真(FAX): 0086-0576-88177774
服务热线: 400-8876858
http://www.chinajack.com



www.chinajack.com

2020.11

资料如有更改, 恕不另行通知, 以实物为准。
You will be not informed if the file has been revised. Please set sample as standard.