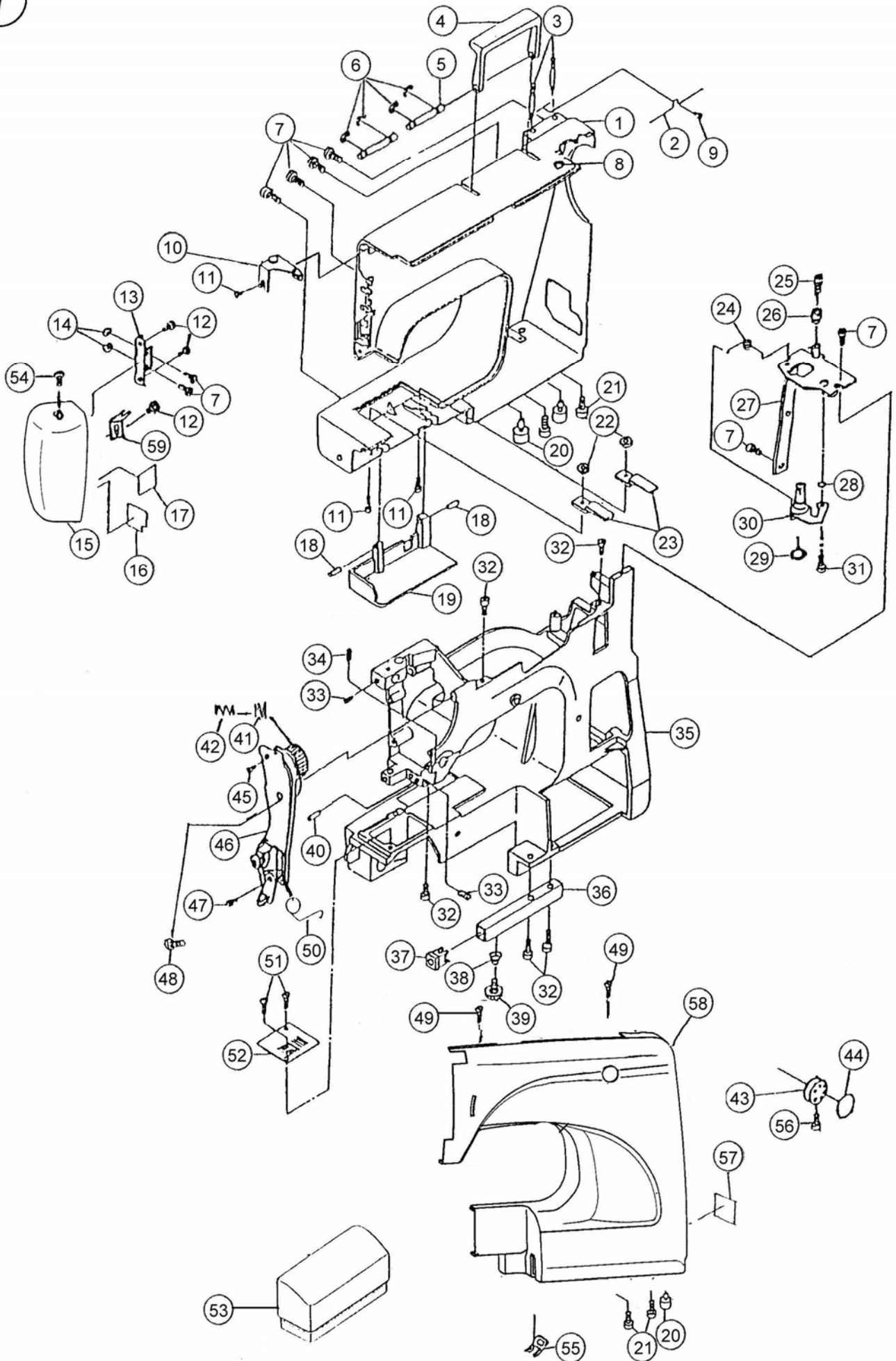


PARTS LIST

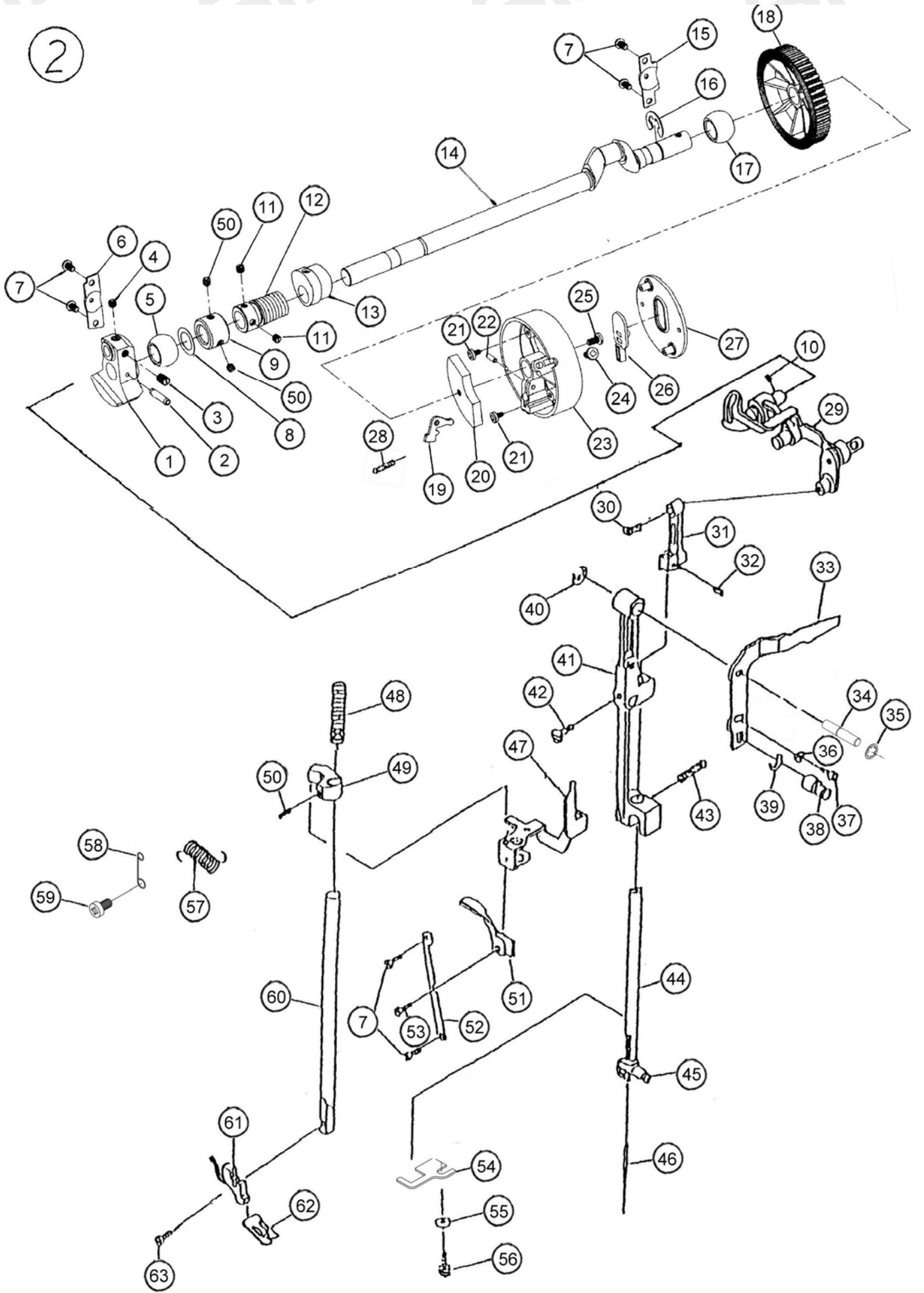


1



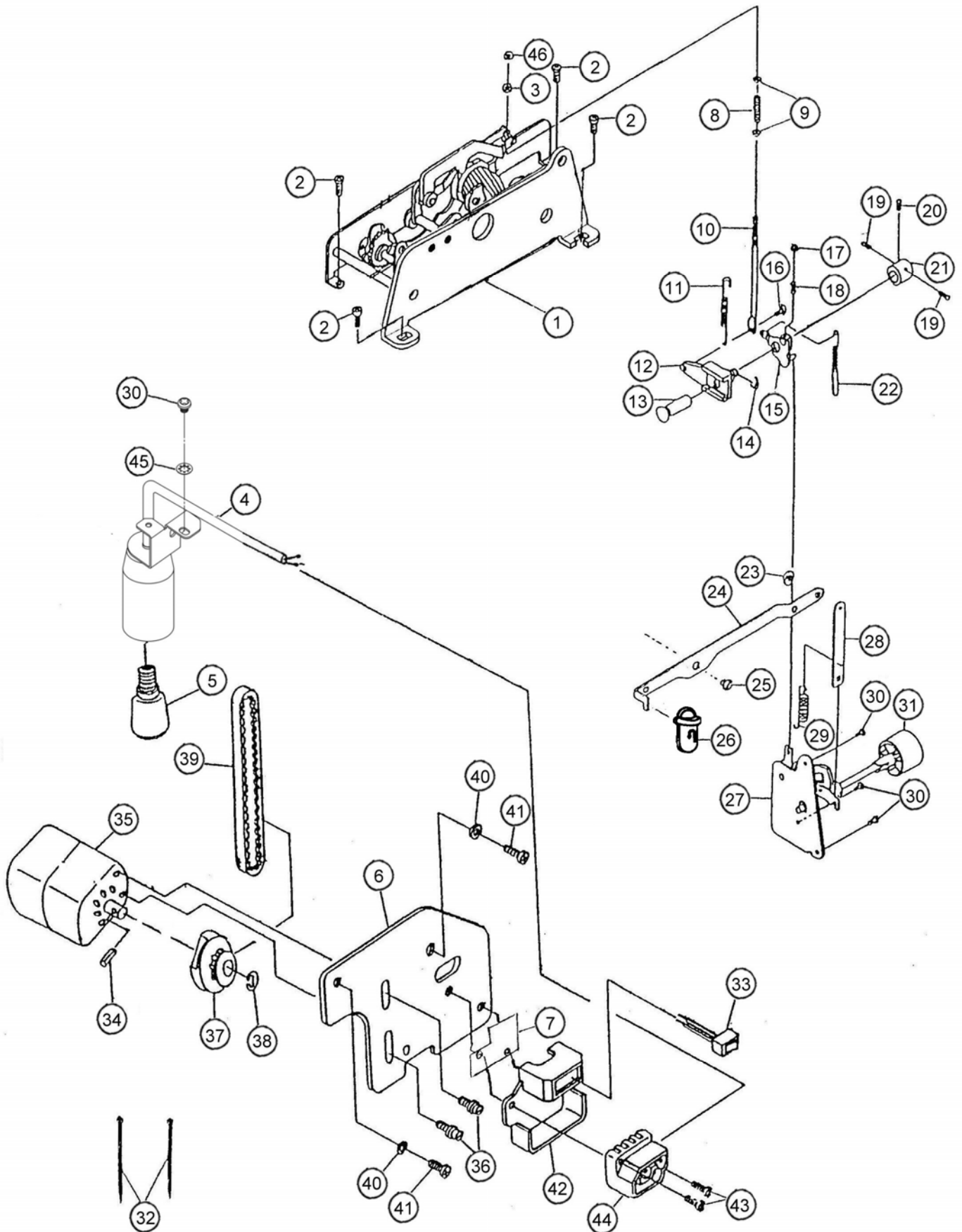
ref	no.	part no.	name of parts
---	---	-----	-----
01		SP-271103000	REAR COVER
02		SP-270007000	SPOOL PIN SPRING
03		SP-301027005	SPOOL PIN A1
04		SP-353004122	HANDLE
05		SP-270174009	HANDLE PIN
06		SP-000000103	SNAP RING 3D
07		SP-301008000	SET SCREW
08		SP-250125014	ADJUSTING HOLE PLUG (W)
09		SP-000011923	SET SCREW
10		SP-230502006	THREAD GUIDE COMP
11		SP-301016001	SET SCREW
12		SP-000011912	SET SCREW
13		SP-380502004	FACE PLATE HINGE
14		SP-301193003	NUT
15		SP-270306002	FACE PLATE (DRAWING → 270306507)
16		SP-270092105	HEAT-SHIELD PLATE
17		SP-250083101	HEAT-SHIELD PLATE
18		SP-000003405	SPRING PIN 3*18
19		SP-250031023	SHUTTLE RACE COVER (W)
20		SP-250020007	RUBBER
21		SP-356017002	SET SCREW
22		SP-301151009	NUT
23		SP-250032002	SHUTTLE RACE COVER SPRING PLATE
24		SP-250045008	BOBBIN WINDER SPRING C
25		SP-353128008	SET SCREW
26		SP-380067002	BOBBIN WINDER STOPPER
27		SP-250016000	BOBBIN WINDER SUPPORTING PLATE
28		SP-370069003	WASHER 5.1*18 t=0.5
29		SP-353030002	RUBBER RING
30		SP-360501001	BOBBIN WINDER COMP
31		SP-353125005	HINGED SCREW
32		SP-250087002	SET SCREW
33		SP-301046000	SET SCREW
34		SP-301087003	SET SCREW
35		SP-250507003	ARM/BED
36		SP-250022021	AID LEG (W)
37		SP-250025024	AID LEG PLUG (W)
38		SP-250024001	SPRING
39		SP-250023000	ADJUSTING FOOT
40		SP-250013007	LEAD SHAFT
41		SP-230140002	TENSION SPRING
42		SP-754036003	SPRING
43		SP-270087004	SELECT DIAL
44		SP-270113505	SELECT DIAL INDICATED PLATE
45		SP-355026001	SET SCREW
46		SP-270644348	UPPER TENSION COMP.
47		SP-260035006	SET SCREW
48		SP-301008000	SET SCREW
49		SP-301008000	SET SCREW
50		SP-230008007	TENSION CHECK SPRING
51		SP-301261003	SET SCREW
52		SP-250006007	NEEDLE PLATE
53		SP-270640104	EXTENSION COVER
54		SP-301185105	SET SCREW
55		SP-353049004	PANEL FIXATION
56		SP-370048006	HINGED SCREW
57		SP-271146005	RATING PLATE
58		SP-270235114	FRONT COVER
59		SP-370221005	FACE PLATE FIXING PLATE B

2



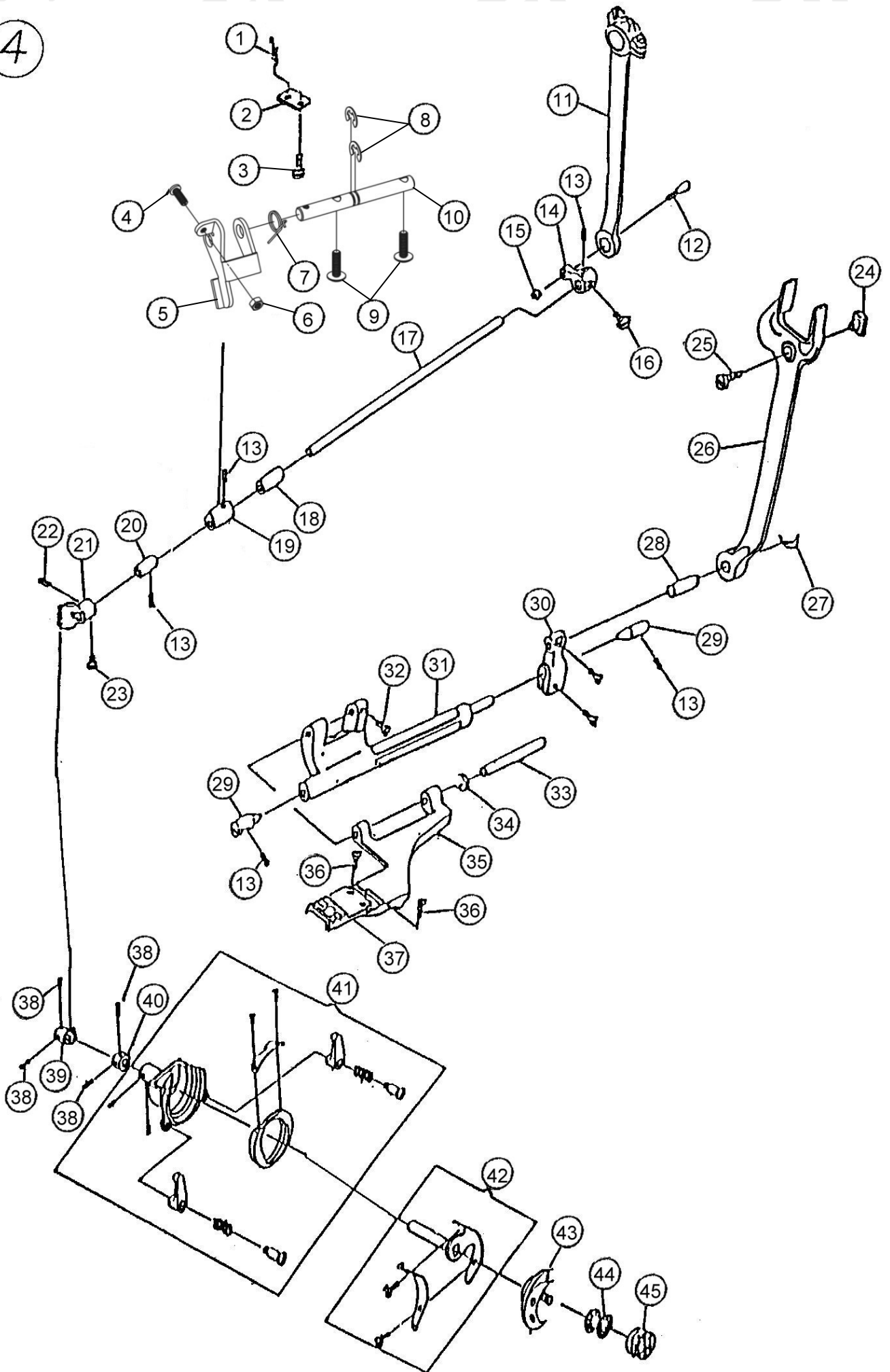
ref	no.	part no.	name of parts
---	---	-----	-----
01		SP-301083009	THREAD TAKE-UP CRANK
02		SP-000003508	SPRING PIN 4*20
03		SP-301084000	SET SCREW
04		SP-301068008	SET SCREW
05		SP-250002003	FRONT BUSHING
06		SP-250004005	FRONT BUSHING BRACKET
07		SP-301008000	SET SCREW
08		SP-301086002	NYLON WASHER
09		SP-301340306	COLLAR
10		SP-301046000	SET SCREW
11		SP-301093002	UPPER SHAFT SET SCREW
12		SP-370040204	UPPER SHAFT GEAR
13		SP-370504005	SELECT CAM COMP
14		SP-220001009	UPPER SHAFT
15		SP-250005006	REAR BUSHING BRACKET
16		SP-000000907	E RING UPPER SHAFT
17		SP-250002003	FRONT BUSHING
18		SP-220002000	MOTOR BELT
19		SP-220004002	WHEEL TRANSPORT PLATE
20		SP-220008006	BALANCE PLATE
21		SP-000011222	SET SCREW
22		SP-220005003	TRANSPORT PIN
23		SP-220003001	HAND WHEEL
24		SP-000016032	SCREW
25		SP-250087002	SET SCREW
26		SP-220006004	CLUTCH BUTTON
27		SP-220007005	WHEEL COVER
28		SP-610100000	SPRING
29		SP-301544003	TAKE-UP LEVER CAMP
30		SP-301100003	SET SCREW
31		SP-301503000	NEEDLE HOLDER
32		SP-301046000	SET SCREW
33		SP-370011000	ZIGZAG DRIVING PLATE
34		SP-220028002	SUPPORTER
35		SP-000012326	RING
36		SP-301245001	WASHER
37		SP-301016001	SET SCREW
38		SP-301045009	ECCENTRIC PIN
39		SP-000000206	SNAP RING 4D
40		SP-000000309	SNAP RING 5D
41		SP-250089004	NEEDLE BAR SUPPORTER
42		SP-301016001	SET SCREW
43		SP-301047001	SPRING
44		SP-260042006	NEEDLE BAR
45		SP-260502009	NEEDLE CLAMP COMP
46		SP-301244000	NEEDLE
47		SP-230010002	TENSION RELEASE LEVER *A
48		SP-290026007	SPRING
49		SP-301252001	GUIDE BRACKET
50		SP-301087003	SET SCREW
51		SP-370154006	PRESSER BAR LIFTER
52		SP-250007008	PRESSURE BAR LIFTER
53		SP-301070003	HINGED SCREW 4
54		SP-220030007	NEEDLE BAR STOPPING PLATE
55		SP-301245001	WASHER
56		SP-301049003	SET SCREW
57		SP-370147006	SPRING
58		SP-271094007	TENSION SPRING SETTER
59		SP-301037008	SET SCREW
60		SP-301061001	PRESSER BAR
61		SP-301522005	PRESSER FOOT HOLDER
62		SP-353012008	ZIGZAG PRESSER FOOT
63		SP-610012004	SCREW

3



ref no.	part no.	name of parts
01	SP-220605700	PATTERN COMP. (15 PATTERN)
02	SP-301008000	SET SCREW
03	SP-301151009	NUT
04	SP-270826209	LIGHT CORD COMP.
05	SP-650816103	LIGHT BULB
06	SP-260025003	MOTOR BRACKET
07	SP-260050007	INSULATED PLATE
08	SP-370043001	ROD SPRING
09	SP-370044002	WASHER
10	SP-370042000	STRETCH STITCH ROD
11	SP-301155003	SPRING
12	SP-250081006	FEED REGULATOR
13	SP-301152000	FEED REGULATOR SHAFT
14	SP-000000505	SNAP RING 9D
15	SP-270022001	ADJUSTING PLATE
16	SP-301154002	HINGED SCREW
17	SP-301151009	NUT
18	SP-301289007	SET SCREW
19	SP-301046000	SET SCREW
20	SP-301087003	SET SCREW
21	SP-301153104	COLLAR
22	SP-370045003	SPRING
23	SP-270034006	CONNECTING PIN
24	SP-270025004	FEED CONNECTING ROD
25	SP-270014000	HINGED SCREW
26	SP-270308152	REVERSE BUTTON
27	SP-270606108	STITCH LENGTH DIAL COMP
28	SP-270026005	FEED CONNECTING ROD
29	SP-270033005	SPRING
30	SP-301037008	SET SCREW
31	SP-610307319	STITCH DIAL
32	SP-351047006	BAND
33	SP-250831009	SWITCH COMP.
34	SP-000003807	SPRING PIN 2*14
35	SP-230813003	MOTOR COMP.
36	SP-000063023	SET SCREW
37	SP-301555007	MOTOR WHEEL COMP.
38	SP-000000103	SNAP RING 3D
39	SP-301285106	BELT
40	SP-450063008	SPRING WASHER
41	SP-301143008	SET SCREW
42	SP-260026015	SWITCH FIXED PLATE
43	SP-000063001	SCREW
44	SP-000063034	RECEPTACLE
45	SP-301257006	WAVE WASHER

4



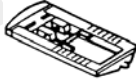
ref	no.	part no.	name of parts
01		SP-301181008	FEED DOG BASE SPRING
02		SP-301197007	SPRING HOLDER
03		SP-301185002	SET SCREW
04		SP-220012003	SET SCREW
05		SP-220011002	DROP FEED CRANK
06		SP-301151009	NUT
07		SP-301195005	SPRING
08		SP-000000309	SNAP RING 5D
09		SP-250010004	SET SCREW
10		SP-220010001	UP/DOWN SHAFT
11		SP-301512002	CRANK ROD COMP
12		SP-301106009	TAPER SCREW
13		SP-301087003	SET SCREW
14		SP-353014000	LOWER SHAFT BRACKET
15		SP-301107000	NUT
16		SP-353015001	SCREW
17		SP-301109002	LOWER SHAFT
18		SP-301110006	LOWER SHAFT FRONT BUSHING
19		SP-301182102	FEED LIFTING CAM
20		SP-301111100	LOWER SHAFT REAR BUSHING
21		SP-301113009	OSCILLATING SHAFT GEAR
22		SP-301115001	SET SCREW
23		SP-301114000	SET SCREW
24		SP-301147002	FORKED ROD SLIDE BLOCK
25		SP-301146001	FORKED ROD SLIDE BLOCK DRAFT
26		SP-301145000	FORKED ROD
27		SP-000000402	SNAP RING 6D
28		SP-301179003	CONNECTING PIN
29		SP-301241007	CENTER PIN B
30		SP-353517007	FEED ROCK CRANK
31		SP-301171005	FEED ROCK SHAFT
32		SP-3011131003	SET SCREW
33		SP-301173007	FEED DOG BASE SHAFT
34		SP-000000206	SNAP RING 4D
35		SP-301172006	FEED DOG BASE
36		SP-301175009	SET SCREW
37		SP-301174008	FEED DOG
38		SP-301046000	SET SCREW
39		SP-301130105	BEVEL GEAR
40		SP-301129101	COLLAR
41		SP-301542207	HOOK RACE BODY COMP.
42		SP-301541000	HOOK RACE SHAFT COMP.
43		SP-301132406	HOOKPANEL
44		SP-610081004	BOBBIN
45		SP-301515304	BOBBIN CASE

ACCESSORIES

1



2



3



4



5



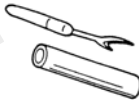
6



7



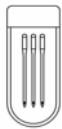
8



9



10



11



12



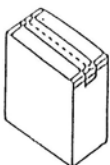
12



14



15



1. All purpose foot (On machine): SP-353012008

2. Buttonhole foot (Plastic) : SP-303401003

3. Zipper foot: SP-301438003

4. Bobbin (Plastic): SP -610081004

5. Screw driver: SP-301439004

6. Needle plate screw driver: SP-660403001

7. Felt: SP-301403009

8. Buttonhole cutter: SP-303403201

9. Feed cover plate (Plastic): SP-220401003

10. # 14 Needle: SP-301244206

11. Low shank adapter(On machine): SP-301522005

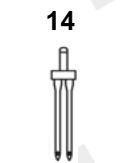
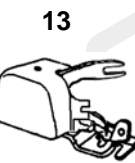
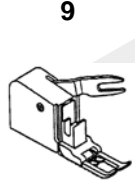
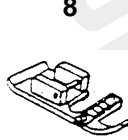
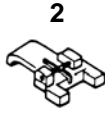
12. INSTRUCTION MANUAL: 273494007

13. DUST COVER: SP-353435805

14. CONTROLLER COMP: SP-230814004

15. CARTON: SP-273707006-

ACCESSORIES (OPTION)



1. Hemmer foot: SP-301405001

2. Button sewing foot (Plastic): SP-301406002

3. Blind hem foot: SP-353431007

4. Satin stitch foot (Plastic): SP-301447005

5. Embroidery foot: SP-380413007

6. Quilting foot: SP-301404000

7. Overcasting foot: SP-303404006

8. Cording foot: SP-353432008

9. Walking foot: SP-280416007

10. Gathering foot: 280415006

11. Quilting guide: SP-301434009

12. Seam guide: SP-301433008

13. Side cutter: SP-680461009

14. Twin Needle: SP-301408107



HSM-2715

高林股份有限公司 KAULIN MFG. CO., LTD.