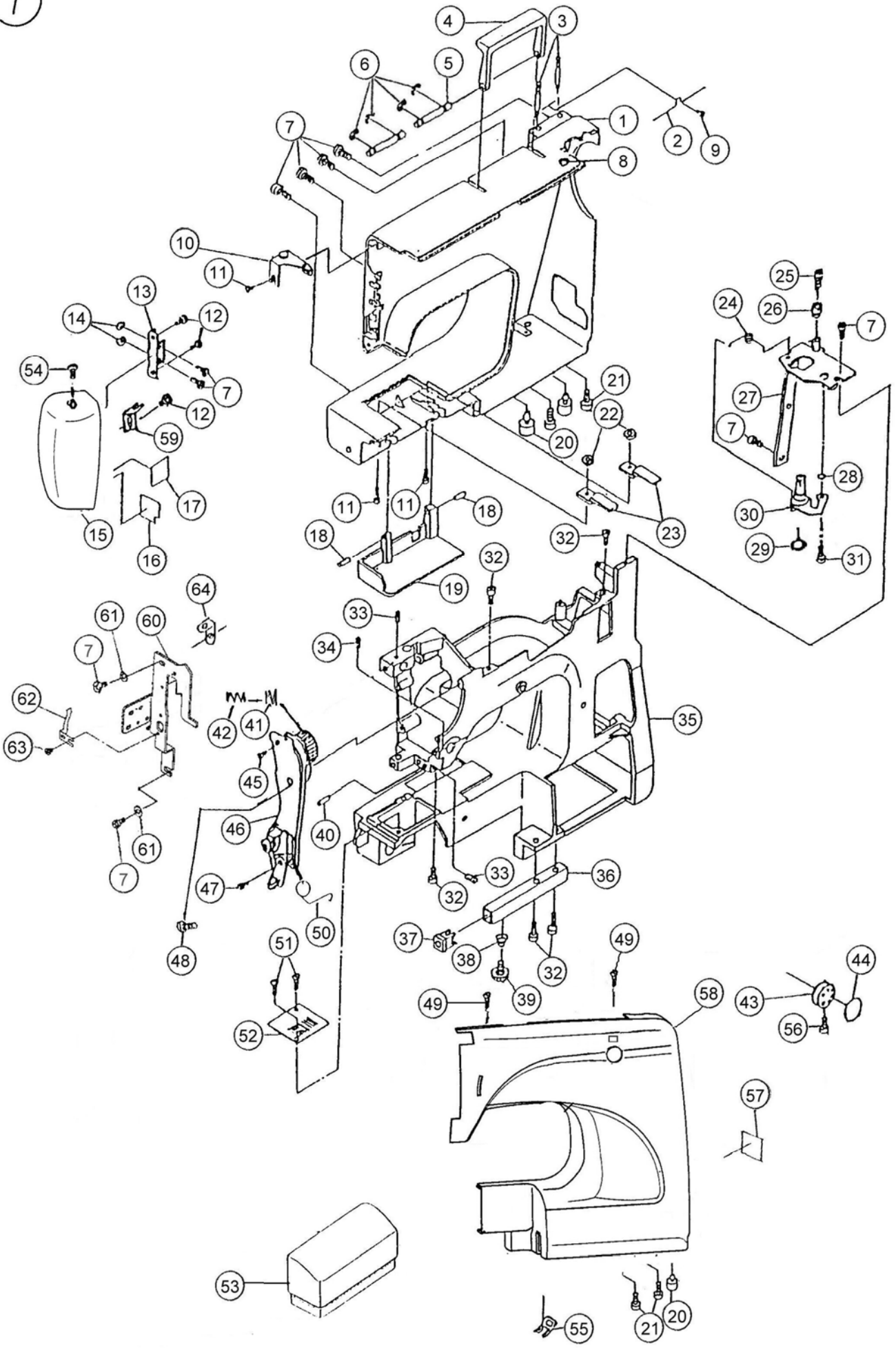


PARTS LIST

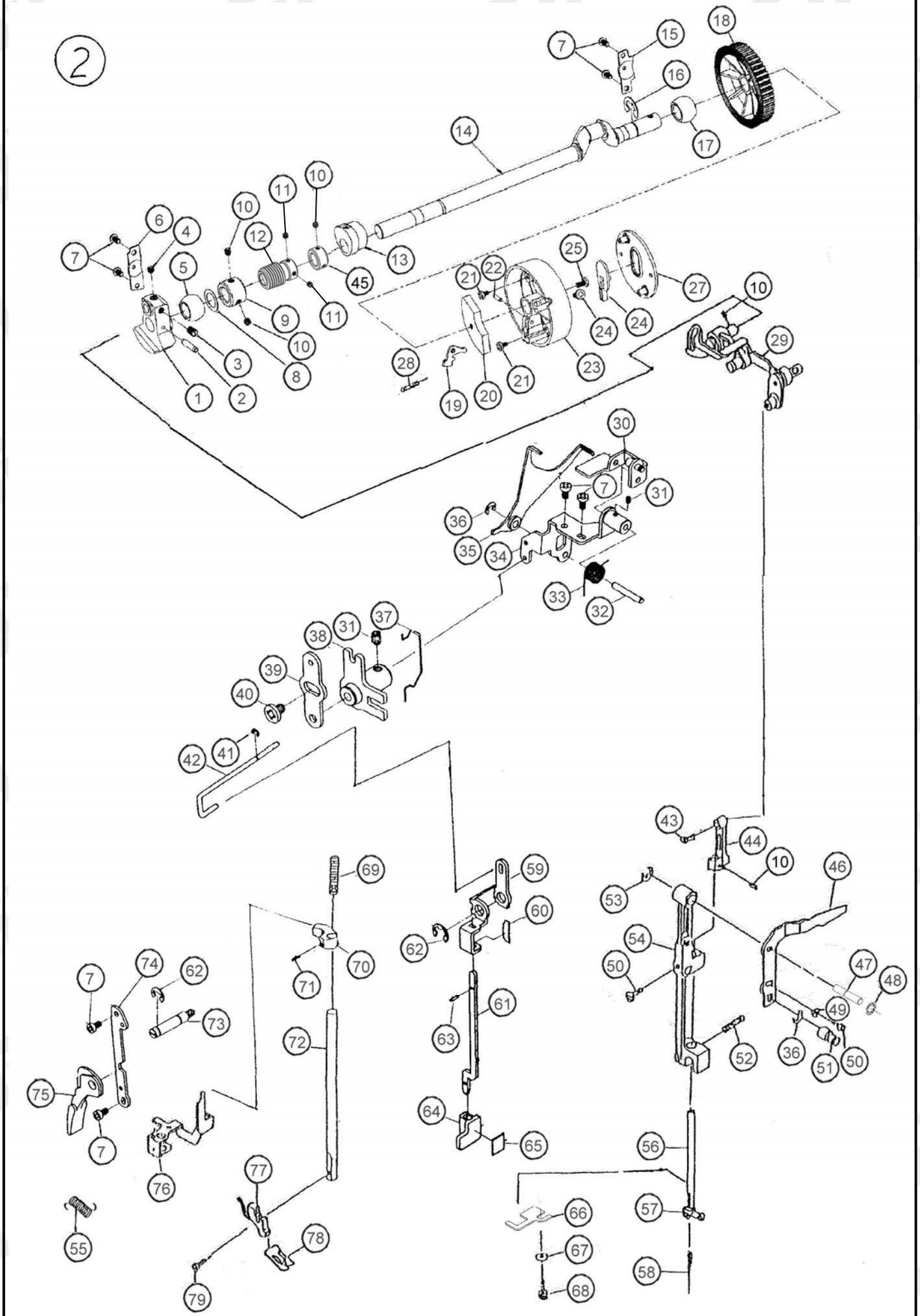


1



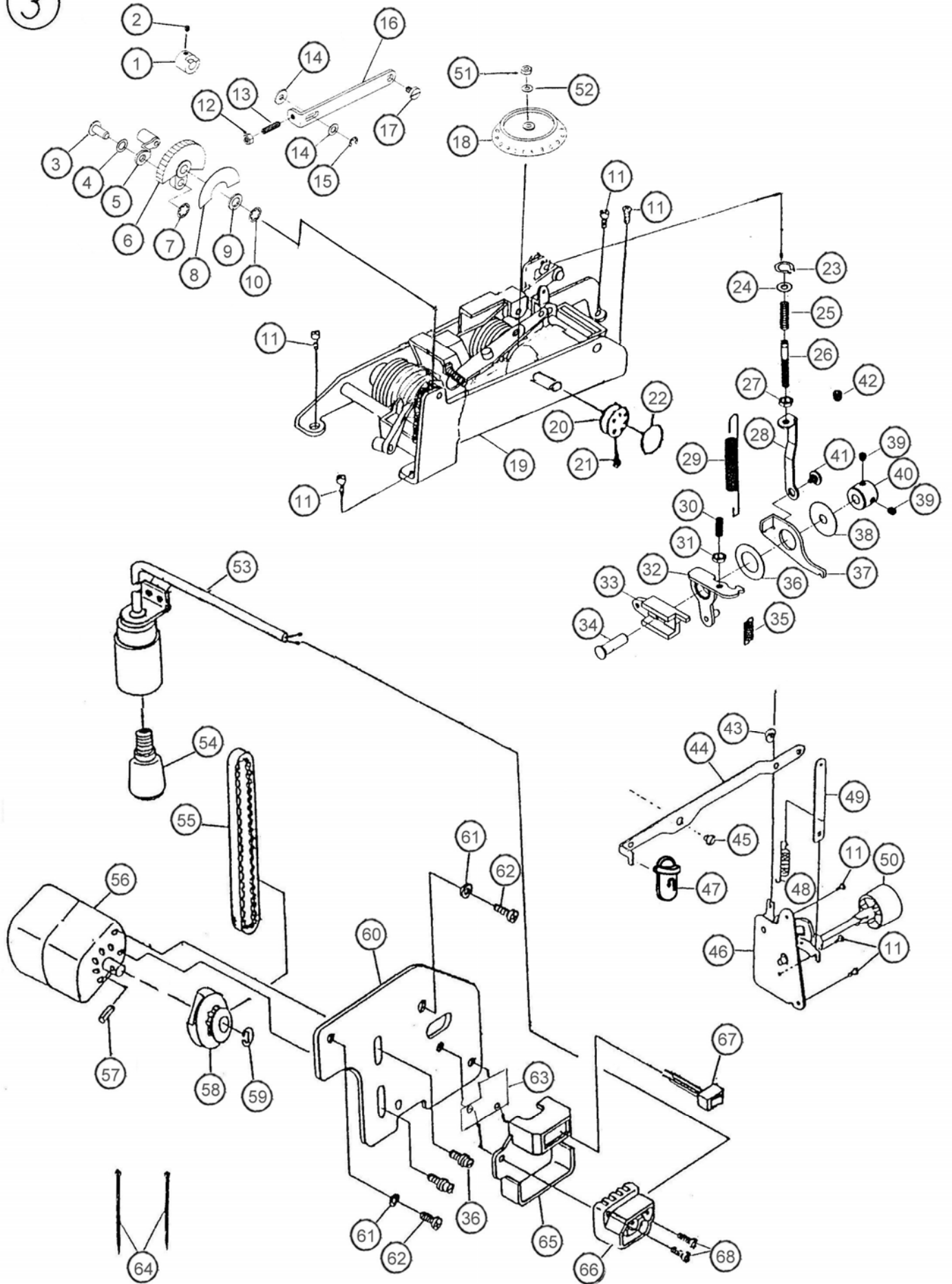
ref no.	part no.	name of parts
01	SP-271103000	REAR COVER (DRAWING → 270002108-4)
02	SP-270007000	SPOOL PIN SPRING
03	SP-301027005	SPOOL PIN A1
04	SP-353004122	HANDLE
05	SP-270174009	HANDLE PIN
06	SP-000000103	SNAP RING 3D
07	SP-301008000	SET SCREW
08	SP-250125014	ADJUSTING HOLE PLUG (W)
09	SP-000011923	SET SCREW
10	SP-230502006	THREAD GUIDE COMP
11	SP-301016001	SET SCREW
12	SP-000011912	SET SCREW
13	SP-380502004	FACE PLATE HINGE
14	SP-301193003	NUT
15	SP-270306002	FACE PLATE (DRAWING → 270306507)
16	SP-270092105	HEAT-SHIELD PLATE
17	SP-250083101	HEAT-SHIELD PLATE
18	SP-000003405	SPRING PIN 3*18
19	SP-250031023	SHUTTLE RACE COVER (W)
20	SP-250020007	RUBBER
21	SP-356017002	SET SCREW
22	SP-301151009	NUT
23	SP-250032002	SHUTTLE RACE COVER SPRING PLATE
24	SP-250045008	BOBBIN WINDER SPRING C
25	SP-353128008	SET SCREW
26	SP-380067002	BOBBIN WINDER STOPPER
27	SP-250016000	BOBBIN WINDER SUPPORTING PLATE
28	SP-370069003	WASHER 5.1*18 t=0.5
29	SP-353030002	RUBBER RING
30	SP-360501001	BOBBIN WINDER COMP
31	SP-353125005	HINGED SCREW
32	SP-250087002	SET SCREW
33	SP-301046000	SET SCREW
34	SP-301087003	SET SCREW
35	SP-250507003	ARM/BED
36	SP-250022021	AID LEG (W)
37	SP-250025024	AID LEG PLUG (W)
38	SP-250024001	SPRING
39	SP-250023000	ADJUSTING FOOT
40	SP-250013007	LEAD SHAFT
41	SP-230140002	TENSION SPRING
42	SP-754036003	SPRING
43	SP-260027027	SELECT DIAL
44	SP-270234503	SELECT DIAL INDICATED PLATE
45	SP-355026001	SET SCREW
46	SP-270644348	UPPER TENSION COMP.
47	SP-260035006	SET SCREW
48	SP-301008000	SET SCREW
49	SP-301008000	SET SCREW
50	SP-230008007	TENSION CHECK SPRING
51	SP-301261003	SET SCREW
52	SP-250006007	NEEDLE PLATE
53	SP-270640104	EXTENSION COVER
54	SP-301185105	SET SCREW
55	SP-353049004	PANEL FIXATION
56	SP-370048006	HINGED SCREW
57	SP-274022003	RATING PLATE
58	SP-270337105	FRONT COVER (DRAWING)
59	SP-370221005	FACE PLATE FIXING PLATE B
60	SP-270224108	CORD SUPPORTER
61	SP-301257006	WAVE WASHER
62	SP-270171006	BUTTONHOLE SPRING
63	SP-000016009	SET SCREW
64	SP-370220004	FACE PLATE FIXING PLATE A

2



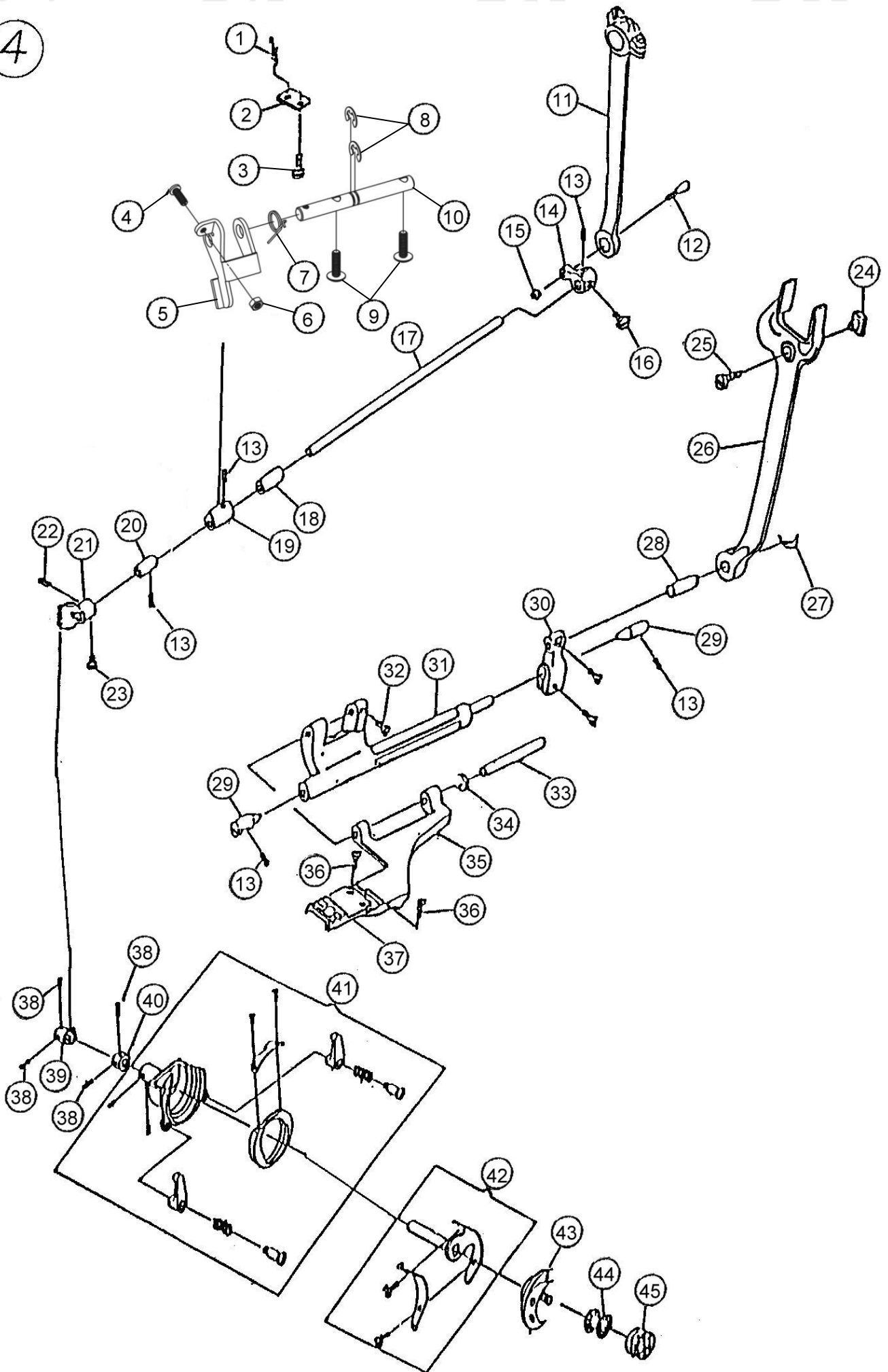
ref no.	part no.	name of parts	ref no.	part no.	name of parts
01	SP-301083009	THREAD TAKE-UP CRANK	71	SP-301087003	SET SCREW
02	SP-000003508	SPRING PIN 4*20	72	SP-301061001	PRESSER BAR
03	SP-301084000	SET SCREW	73	SP-280099000	PRESSURE SHAFT
04	SP-301068000	SET SCREW 20	74	SP-280071006	PRESSURE SHAFT PLATE
05	SP-250002003	FRONT BUSHING	75	SP-370154006	PRESSER BAR LIFTER
06	SP-250004005	FRONT BUSHING BRACKET	76	SP-230010002	TENSION RELEASE LEVER *A
07	SP-301008000	SET SCREW	77	SP-301522005	PRESSER FOOT HOLDER
08	SP-301086002	NYLON WASHER	78	SP-353012008	ZIGZAG PRESSER FOOT
09	SP-301340306	COLLAR	79	SP-610012004	SCREW
10	SP-301046000	SET SCREW	80	SP-610296004	FINGER PROTECTOR
11	SP-301093002	UPPER SHAFT SET SCREW			
12	SP-280139003	WORM GEAR			
13	SP-370504005	SELECT CAM COMP			
14	SP-220001009	UPPER SHAFT			
15	SP-250005006	REAR BUSHING BRACKET			
16	SP-000000907	E RING UPPER SHAFT			
17	SP-250002003	FRONT BUSHING			
18	SP-220002000	MOTOR BELT			
19	SP-220004002	WHEEL TRANSPORT PLATE			
20	SP-220008006	BALANCE PLATE			
21	SP-000011222	SET SCREW			
22	SP-220005003	TRANSPORT PIN			
23	SP-220003001	HAND WHEEL			
24	SP-000016032	SCREW			
25	SP-2500087002	SET SCREW			
26	SP-220006004	CLUTCH BUTTON			
27	SP-220007005	WHEEL COVER			
28	SP-610100000	SPRING			
29	SP-301544003	TAKE-UP LEVER CAMP			
30	SP-280043009	ZIGZAG CONNECTING SHAFT			
31	SP-255004000	SCREW			
32	SP-280042008	Z/Z CRANK SHAFT			
33	SP-280044000	SPRING			
34	SP-270230004	ZIGZAG MECHANISM			
35	SP-280068000	FRONT/REAR SELECTING ROD			
36	SP-000000206	SNAP RING 4D			
37	SP-610013005	SPRING			
38	SP-280069001	FR SELECTING ROD COMP.			
39	SP-270173008	FRONT/REAR ADJUST PLATE			
40	SP-000016009	SCREW			
41	SP-000000804	2.5D E RING			
42	SP-280070005	FRONT/REAR CONNECTING ROD			
43	SP-301100003	SET SCREW			
44	SP-301503000	NEEDLE HOLDER			
45	SP-370163101	COLLAR			
46	SP-270169001	NEEDLE BAR PLATE			
47	SP-220028002	SUPPORTER			
48	SP-000012326	RING			
49	SP-301245001	WASHER			
50	SP-301016001	SET SCREW			
51	SP-301045009	ECCENTRIC PIN			
52	SP-380080001	SPRING			
53	SP-000000309	SNAP RING 5D			
54	SP-250089004	NEEDLE BAR SUPPORTER 3			
55	SP-370147006	SPRING			
56	SP-260042006	NEEDLE BAR			
57	SP-260502009	NEEDLE CLAMP COMP			
58	SP-301244000	NEEDLE			
59	SP-280049108	FRONT/REAR MOVED SHAFT			
60	SP-610118001	SPRING			
61	SP-280050009	BUTTONHOLE LEVER ROD			
62	SP-000000402	SNAP RING 6D			
63	SP-000003265	SPRING PIN			
64	SP-280051000	BUTTONHOLE BUTTON			
65	SP-610276101	BUTTONHOLE OPERATING STICKER			
66	SP-220030007	NEEDLE BAR STOPPING PLATE			
67	SP-301245001	WASHER			
68	SP-301049003	SET SCREW			
69	SP-290026007	SPRING			
70	SP-301252001	GUIDE BRACKET			

3



ref	no.	part no.	name of parts
---	---	-----	-----
01		SP-270227008	ZIGZAG ADJUSTING SHAFT
02		SP-255004000	SCREW
03		SP-230063000	SUPPORTING PIN
04		SP-353127007	WASHER
05		SP-270228009	"O" ADJUSTING CRANK
06		SP-270229000	ZIGZAG DIAL
07		SP-000012315	SNAP PING 5D
08		SP-270233122	ZIGZAG DIAL INDICATED PLATE
09		SP-250131002	WAVE WASHER
10		SP-000012304	SNAP PING 6D
11		SP-301008000	SET SCREW
12		SP-301151009	NUT
13		SP-301196006	SET SCREW
14		SP-301245001	WASHER
15		SP-000000103	SNAP RING 3D
16		SP-280067009	ZIGZAG SHAFT
17		SP-301201005	SET SCREW
18		SP-270264096	PATTERN (DRAWING)
19		SP-270635106	PATTERN MECHANISM COMP
20		SP-260027027	SELECT DIAL
21		SP-370048006	HINGED SCREW
22		SP-270234503	SELECT DIAL PANEL
23		SP-000006316	"S" RING
24		SP-000014018	WASHER
25		SP-610100000	SPRING
26		SP-280004008	S.S ADJUST PIN
27		SP-000055000	NUT
28		SP-280003007	STRECH STITCH PLATE
29		SP-280137001	ADJUST SPRING
30		SP-000008042	ADJUST SCREW
31		SP-000055000	NUT
32		SP-280001005	ADJUST PLATE
33		SP-250081202	LENGTH DIAL
34		SP-301152000	FEED REGULATOR SHAFT
35		SP-280138002	LEVER SPRING
36		SP-250076008	WASHER
37		SP-280002006	ADJUST PLATE
38		SP-000014373	WASHER
39		SP-301046000	SET SCREW
40		SP-301153104	COLLAR
41		SP-000034003	SET SCREW
42		SP-301087003	SET SCREW
43		SP-270034006	CONNECTING PIN
44		SP-270025107	FEED CONNECTING ROD
45		SP-270014000	HINGED SCREW
46		SP-270606201	STITCH LENGTH DIAL
47		SP-270308152	REVERSE BUTTON
48		SP-270033005	SPRING
49		SP-270026005	FEED CONNECTING ROD 26
50		SP-610307308	STITCH DIAL
51		SP-000004015	NUT
52		SP-000014007	WASHER
53		SP-280801003	LIGHT CORD
54		SP-650816103	LIGHT BULB
55		SP-301285106	BELT
56		SP-230813003	MOTOR COMP.
57		SP-000003807	SPRING PIN 2*14
58		SP-301555007	MOTOR WHEEL COMP.
59		SP-000000103	SNAP RING 3D
60		SP-260025003	MOTOR BRACKET
61		SP-450063008	SPRING WASHER
62		SP-301143008	SET SCREW
63		SP-260050007	INSULATED PLATE
64		SP-351047006	BAND
65		SP-260026015	SWITCH FIXED PLATE
66		SP-000063034	RECEPTACLE
67		SP-250831009	SWITCH COMP.
68		SP-000063001	SCREW

4



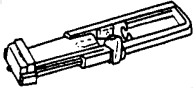
ref no.	part no.	name of parts
---	-----	-----
01	SP-301181008	FEED DOG BASE SPRING
02	SP-301197007	SPRING HOLDER
03	SP-301185002	SET SCREW
04	SP-220012003	SET SCREW
05	SP-220011002	DROP FEED CRANK
06	SP-301151009	NUT
07	SP-301195005	SPRING
08	SP-000000309	SNAP RING 5D
09	SP-250010004	SET SCREW
10	SP-220010001	UP/DOWN SHAFT
11	SP-301512002	CRANK ROD COMP
12	SP-301106009	TAPER SCREW
13	SP-301087003	SET SCREW
14	SP-303073002	LOWER SHAFT BRACKET
15	SP-301107000	NUT
16	SP-353015001	SCREW
17	SP-301109002	LOWER SHAFT
18	SP-301110006	LOWER SHAFT FRONT BUSHING
19	SP-301182102	FEED LIFTING CAM
20	SP-301111100	LOWER SHAFT REAR BUSHING
21	SP-301113009	OSCILLATING SHAFT GEAR
22	SP-301115001	SET SCREW
23	SP-301114000	SET SCREW
24	SP-301147002	FORKED ROD SLIDE BLOCK
25	SP-301146001	FORKED ROD SLIDE BLOCK DRAFT
26	SP-301145000	FORKED ROD
27	SP-000000402	SNAP RING 6D
28	SP-301179003	CONNECTING PIN
29	SP-301241007	CENTER PIN B
30	SP-303505008	FEED ROCK CRANK
31	SP-301171005	FEED ROCK SHAFT
32	SP-301131003	SET SCREW
33	SP-301173007	FEED DOG BASE SHAFT
34	SP-000000206	SNAP RING 4D
35	SP-301172006	FEED DOG BASE
36	SP-301175009	SET SCREW
37	SP-301174008	FEED DOG
38	SP-301046000	SET SCREW
39	SP-301130105	BEVEL GEAR
40	SP-301129101	COLLAR
41	SP-301542207	HOOK RACE BODY COMP.
42	SP-301541000	HOOK RACE SHAFT COMP.
43	SP-301132406	HOOKPANEL
44	SP-610081004	BOBBIN
45	SP-301515304	BOBBIN CASE

ACCESSORIES

1



2



3



4



5



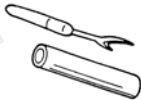
6



7



8



9



10



11



12



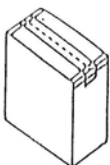
12



14



15



1. All purpose foot (On machine): SP-353012008

2. Buttonhole foot (Plastic) : SP-610404007

3. Zipper foot: SP-301438003

4. Bobbin (Plastic): SP -610081004

5. Screw driver: SP-301439004

6. Needle plate screw driver: SP-660403001

7. Felt: SP-301403009

8. Buttonhole cutter: SP-303403201

9. Feed cover plate (Plastic): SP-220401003

10. # 14 Needle: SP-301244206

11. Low shank adapter(On machine): SP-301522005

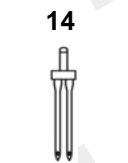
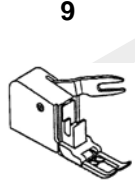
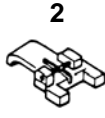
12. INSTRUCTION MANUAL: 274438006

13. DUST COVER: SP-353435805

14. CONTROLLER COMP: SP-230814004

15. CARTON: SP-274725003-

ACCESSORIES (OPTION)



1. Hemmer foot: SP-301405001

2. Button sewing foot (Plastic): SP-301406002

3. Blind hem foot: SP-353431007

4. Satin stitch foot (Plastic): SP-301447005

5. Embroidery foot: SP-380413007

6. Quilting foot: SP-301404000

7. Overcasting foot: SP-303404006

8. Cording foot: SP-353432008

9. Walking foot: SP-280416007

10. Gathering foot: 280415006

11. Quilting guide: SP-301434009

12. Seam guide: SP-301433008

13. Side cutter: SP-680461009

14. Twin Needle: SP-301408107



HSM-2722

高林股份有限公司 KAULIN MFG. CO., LTD.

The specification and/or appearances of the equipment described in this parts list are subject to change because of modification without previous notice.