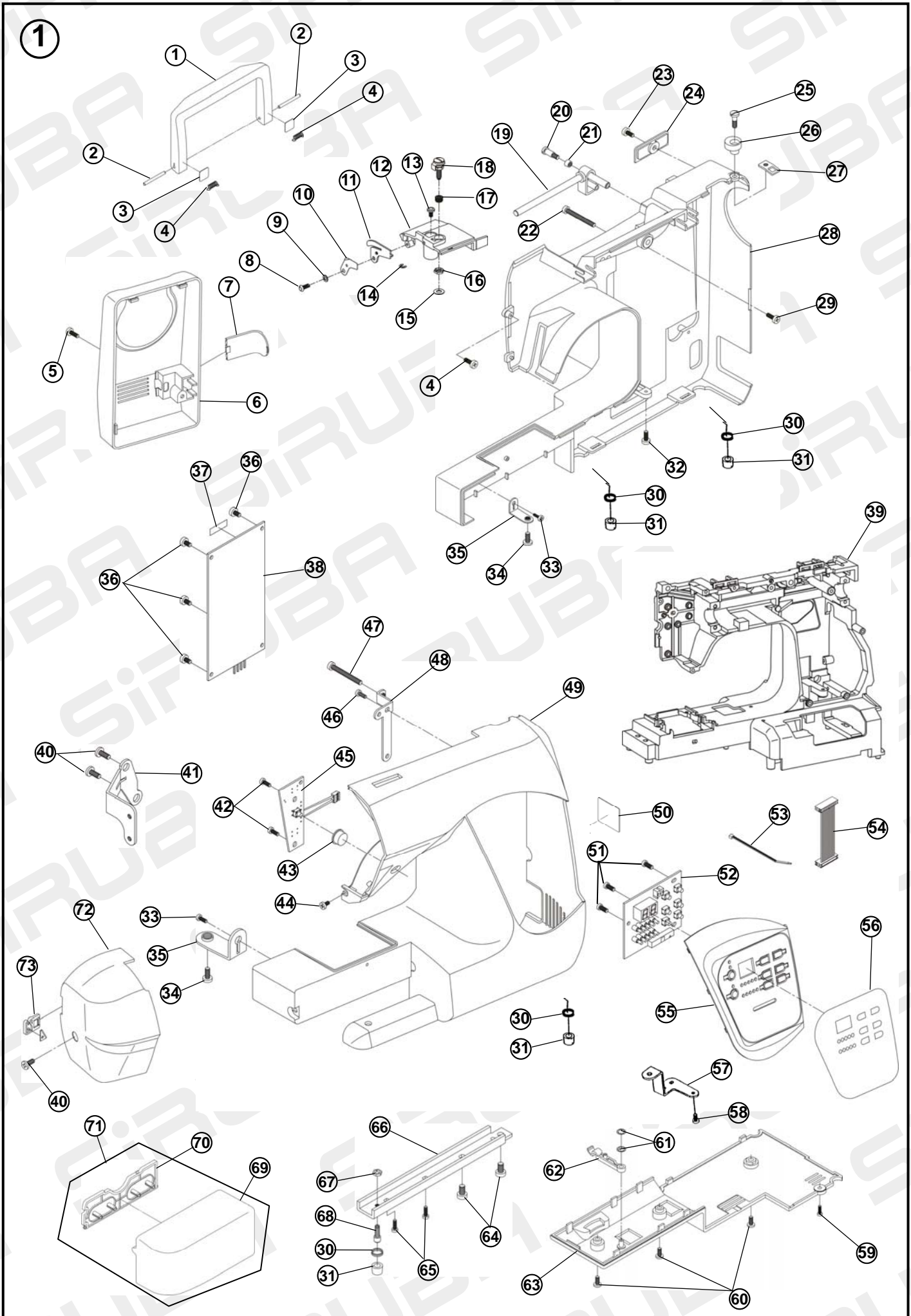


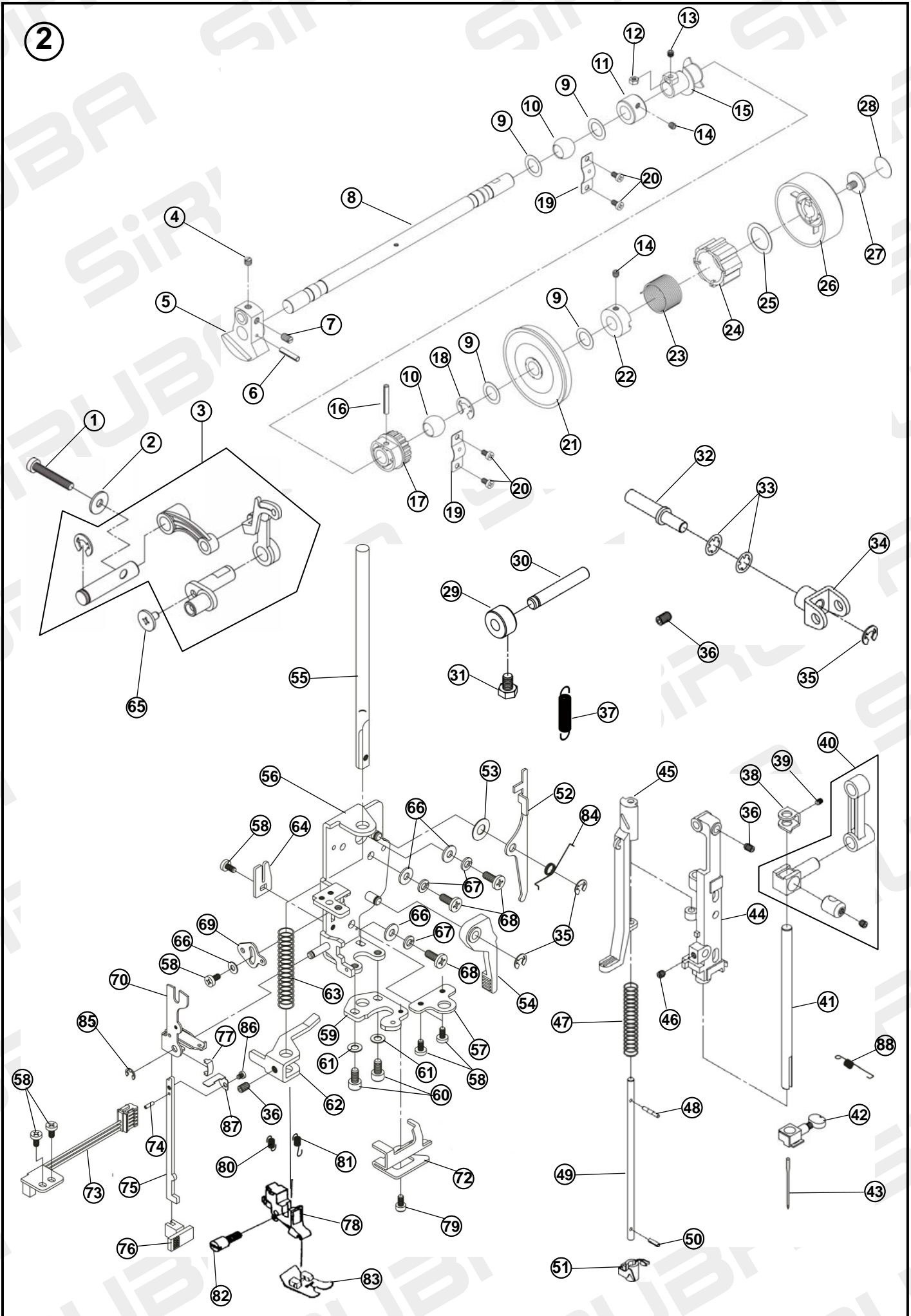
PARTS LIST





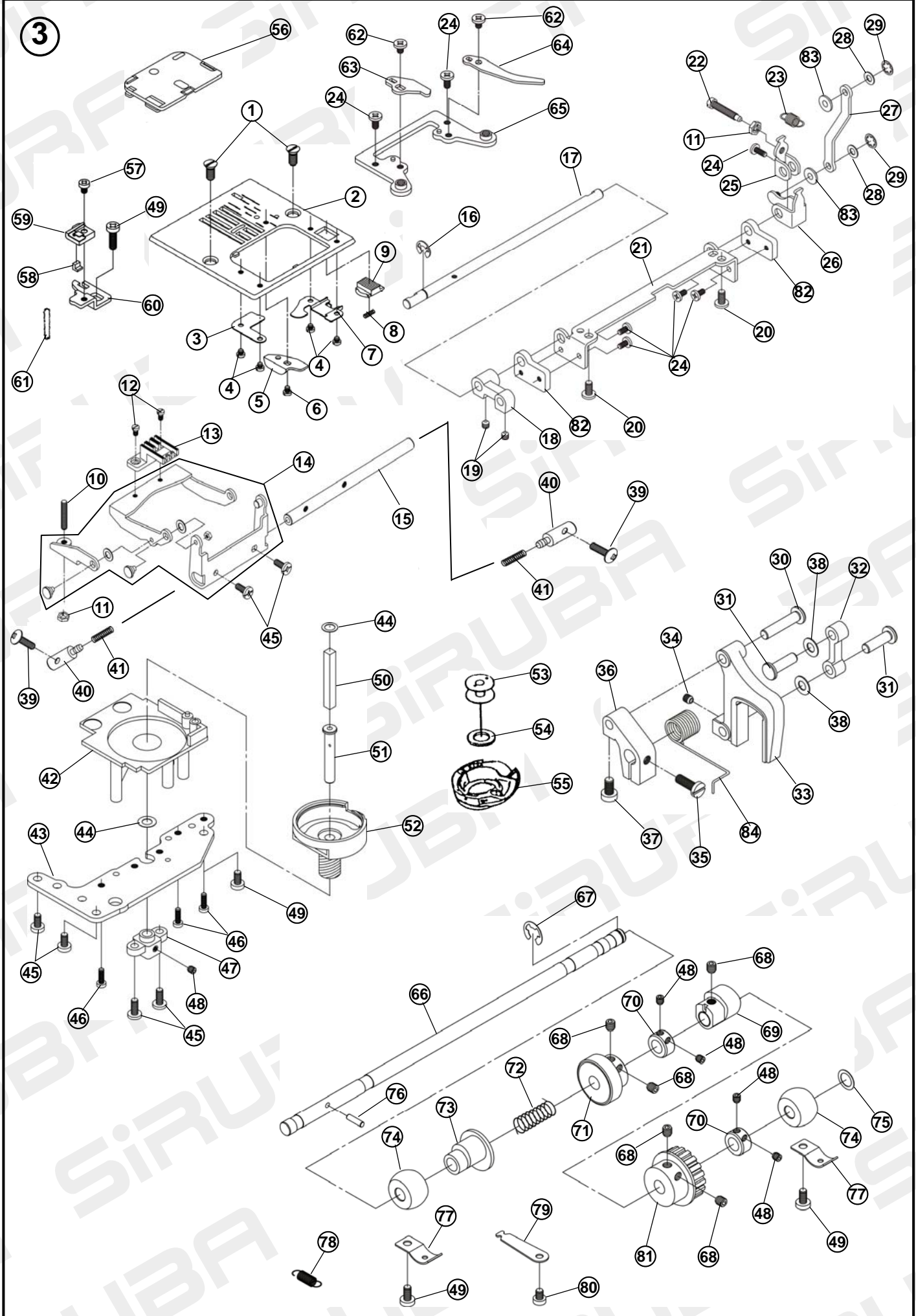
ref no.	part no.	name of parts
---	-----	-----
01	SP-650010017	HANDLE
02	SP-650011007	HANDLE PIN
03	SP-650256006	HANDLE INSERT
04	SP-650272008	HANDLE SETTING SPRING
05	SP-000011901	SET SCREW
06	SP-660071006	BOARD COVER
07	SP-660072007	PC BOARD COVER
08	SP-000011222	SET SCREW
09	SP-000014007	WASHER
10	SP-650009002	SPRING
11	SP-650008001	THREAD GUIDE PLATE
12	SP-680217008	THREADER COVER
13	SP-000019057	SCREW
14	SP-000000804	2.5D E RING
15	SP-000014018	WASHER
16	SP-000055000	NUT
17	SP-650005008	NUT
18	SP-650501102	THREAD GUIDE SHAFT COMP
19	SP-650012019	SPOOL PIN
20	SP-650005008	NUT
21	SP-000030021	SET SCREW
22	SP-000019150	SET SCREW
23	SP-000011912	SET SCREW
24	SP-680204002	BOBBIN WINDER ADJUST HOLE COVER
25	SP-353128008	SET SCREW
26	SP-380067002	BOBBIN WINDER STOPPER
27	SP-650004007	FIX PLATE (A)
28	SP-680231008	REAR COVER
29	SP-000011901	SET SCREW
30	SP-650257007	CUSHION SPRING
31	SP-650013009	RUBBER FOOT
32	SP-000011901	SET SCREW
33	SP-000011222	SET SCREW
34	SP-000016032	SCREW
35	SP-650007000	FIX PLATE (C)
36	SP-000011211	SET SCREW
37	SP-680239017	STICKER
38	SP-683602003	MAIN BOARD COMP
39	SP-650514005	650 ARM/BED
40	SP-000016032	SCREW
41	SP-680027009	FACE PLATE SUPPORTER PLATE
42	SP-000011222	SET SCREW
43	SP-653113009	START/STOP BUTTON
44	SP-000016010	SCREW
45	SP-683817106	REVERSE SWITCH COMP
46	SP-000011222	SET SCREW
47	SP-000019150	SET SCREW
48	SP-660091002	FRONT PLATE FIXING PLATE
49	SP-680244130	FRONT COVER (DRAWING)
50	SP-683008003	RATING PLATE
51	SP-000011222	SET SCREW
52	SP-680851000	FOOT CONTROLLER
53	SP-351047006	BAND
54	SP-680507008	CONNECTOR WIRE COMP
55	SP-680219011	PANEL
56	SP-680260109	PANEL PLATE
57	SP-650006009	FIX PLATE (B)
58	SP-301008000	SET SCREW
59	SP-000011901	SET SCREW
60	SP-000016032	SCREW
61	SP-000012315	SNAP PING 5D
62	SP-650026005	VERTICAL TRANSMISSION DIAL
63	SP-650025015	BED
64	SP-301143008	SET SCREW
65	SP-000011233	SET SCREW
66	SP-650022001	AID LEG
67	SP-000055000	NUT
68	SP-650023002	SET SCREW
69	SP-660080008	EXTENTION TABLE
70	SP-660081009	EXTENTION TABLE COVER
71	SP-660502001	EXTENSION TABLE COMP
72	SP-680218009	FACE PLATE B
73	SP-660503002	THREAD CUTTER

2



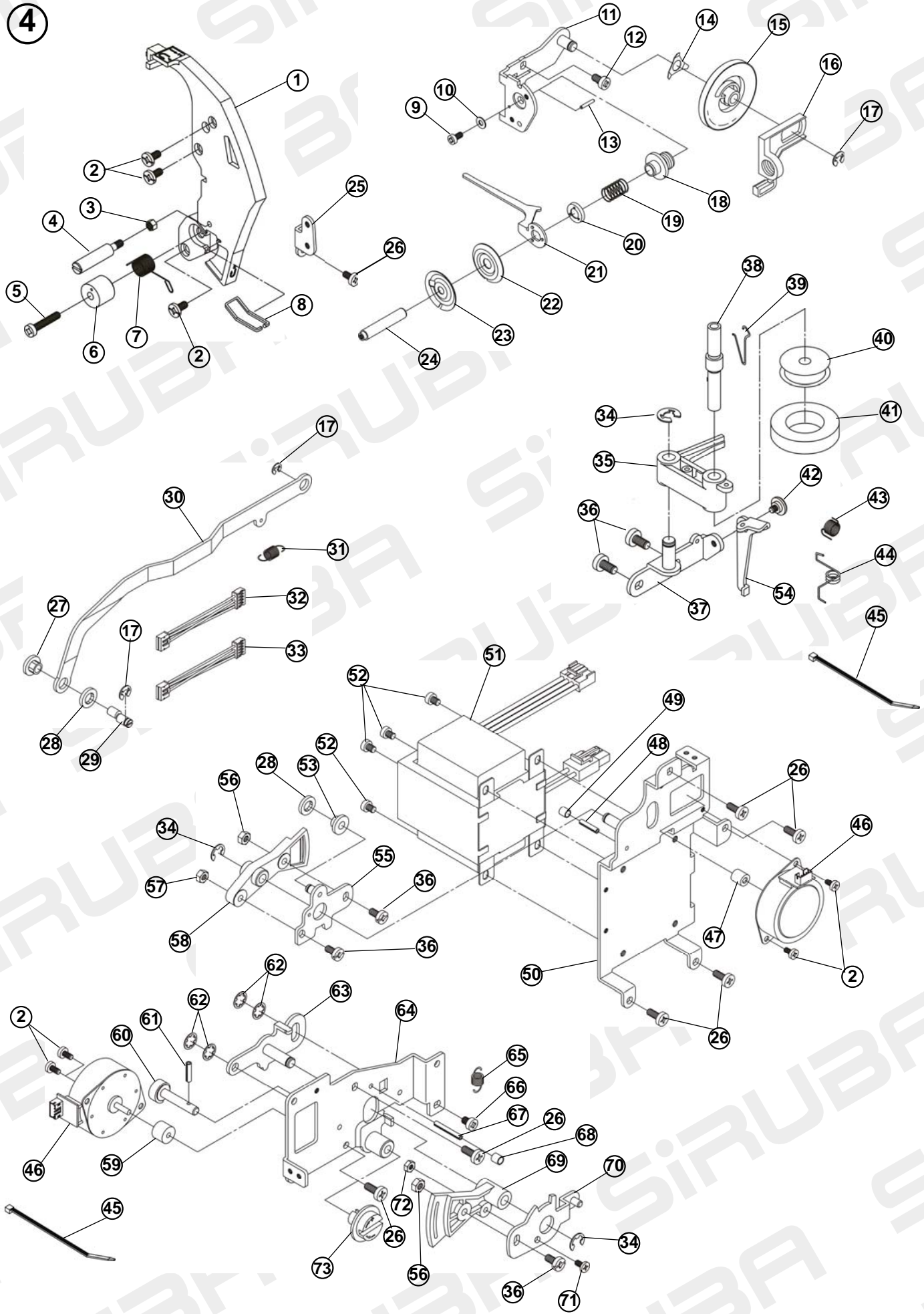
ref no.	part no.	name of parts	ref no.	part no.	name of parts
01	SP-000019183	SET SCREW	76	SP-680029001	BH CONNECTING HANDLE
02	SP-230015007	WASHER	77	SP-680035000	BH CONNECTING ROD SPRING
03	SP-650509100	THREAD TAKE UP LEVER COMP	78	SP-J10092003	PRESSER FOOT HOLDER
04	SP-301068008	SET SCREW	79	SP-000015064	SET SCREW
05	SP-301083009	THREAD TAKE-UP CRANK	80	SP-680048006	SPRING
06	SP-000003508	SPRING PIN 4*20	81	SP-680049007	SPRING
07	SP-301084000	SET SCREW	82	SP-610012004	SCREW
08	SP-650071005	UPPER SHAFT	83	SP-610412008	Z/Z FOOT
09	SP-301086002	NYLON WASHER	84	SP-680179007	SPRING
10	SP-250002003	FRONT BUSHING	85	SP-000000103	SNAP RING
11	SP-301340203	COLLAR	86	SP-000019172	SET SCREW
12	SP-301193003	NUT	87	SP-680036001	BH CONNECTING ROD SENSOR
13	SP-000023021	SET SCREW	88	SP-680198002	SPRING
14	SP-301087003	SET SCREW			
15	SP-680001007	UPPER SHAFT CAM			
16	SP-000003807	SPRING PIN 2*14			
17	SP-650073007	UPPER SHAFT TIMING GEAR			
18	SP-000000907	"E" RING			
19	SP-650079003	COLLAR RETAIN PLATE			
20	SP-301008000	SET SCREW			
21	SP-653125004	BELT PULLEY COMP.			
22	SP-650076000	CLUTCH SHAFT COLLAR			
23	SP-650078002	SPRING			
24	SP-650077001	CLUTCH			
25	SP-000014362	WASHER			
26	SP-650080018	HANDWHEEL			
27	SP-650081008	HAND WHEEL FIX SCREW			
28	SP-650264018	BALANCE WHEEL DECOR. PLATE			
29	SP-360018006	COLLAR 5*12 t=6.5			
30	SP-650059007	PIN			
31	SP-301049003	SET SCREW			
32	SP-650193107	NEEDLE BAR ROD SHAFT			
33	SP-000013110	WAVE WASHER			
34	SP-650056107	NEEDLE BAR ROD SUPPORT			
35	SP-000002006	SNAP RING 4D			
36	SP-000023021	SET SCREW			
37	SP-650065006	SPRING			
38	SP-650061002	THREADING POSITIONER			
39	SP-255004000	SCREW			
40	SP-301503000	NEEDLE HOLDER			
41	SP-650060001	NEEDLE BAR			
42	SP-660505004	NEEDLE SETTER COMP.			
43	SP-301244206	NEEDLE			
44	SP-650058006	NEEDLE BAR ROD			
45	SP-650062025	AUTO THREADER			
46	SP-301046000	SET SCREW			
47	SP-650064005	SPRING			
48	SP-650192003	PIN			
49	SP-650063004	THREADER BAR			
50	SP-000003221	SPRING PIN			
51	SP-660504003	THREAD REGULATOR			
52	SP-680178006	RELEASE THREAD ROD A			
53	SP-250128006	WASHER			
54	SP-650051009	PRESSER BAR LIFTER			
55	SP-660094005	PRESSER HOLDER			
56	SP-680028103	PRESSER FIXED PLATE			
57	SP-650316005	PRESSER BAR REGULATING PLATE			
58	SP-000016010	SET SCREW			
59	SP-660041100	NEEDLE-BAR CRANK PLATE			
60	SP-000015019	SET SCREW			
61	SP-301245001	WASHER			
62	SP-650054002	PRESSER BAR HOLDER			
63	SP-653042006	PRESSER BAR LIFTER SPRING			
64	SP-650216004	STOP PLATE			
65	SP-301100003	SET SCREW			
66	SP-301009001	WASHER			
67	SP-000021007	WASHER			
68	SP-000016032	SET SCREW			
69	SP-680033008	ADJUSTMENT PLATE			
71	SP-000000103	SNAP RING			
72	SP-680166001	NEEDLE STOPPED PLATE			
73	SP-683816002	BH MOVED SENSE COMP			
74	SP-000003265	SPRING PIN			
75	SP-680030005	BH CONNECTING ROD A			

3



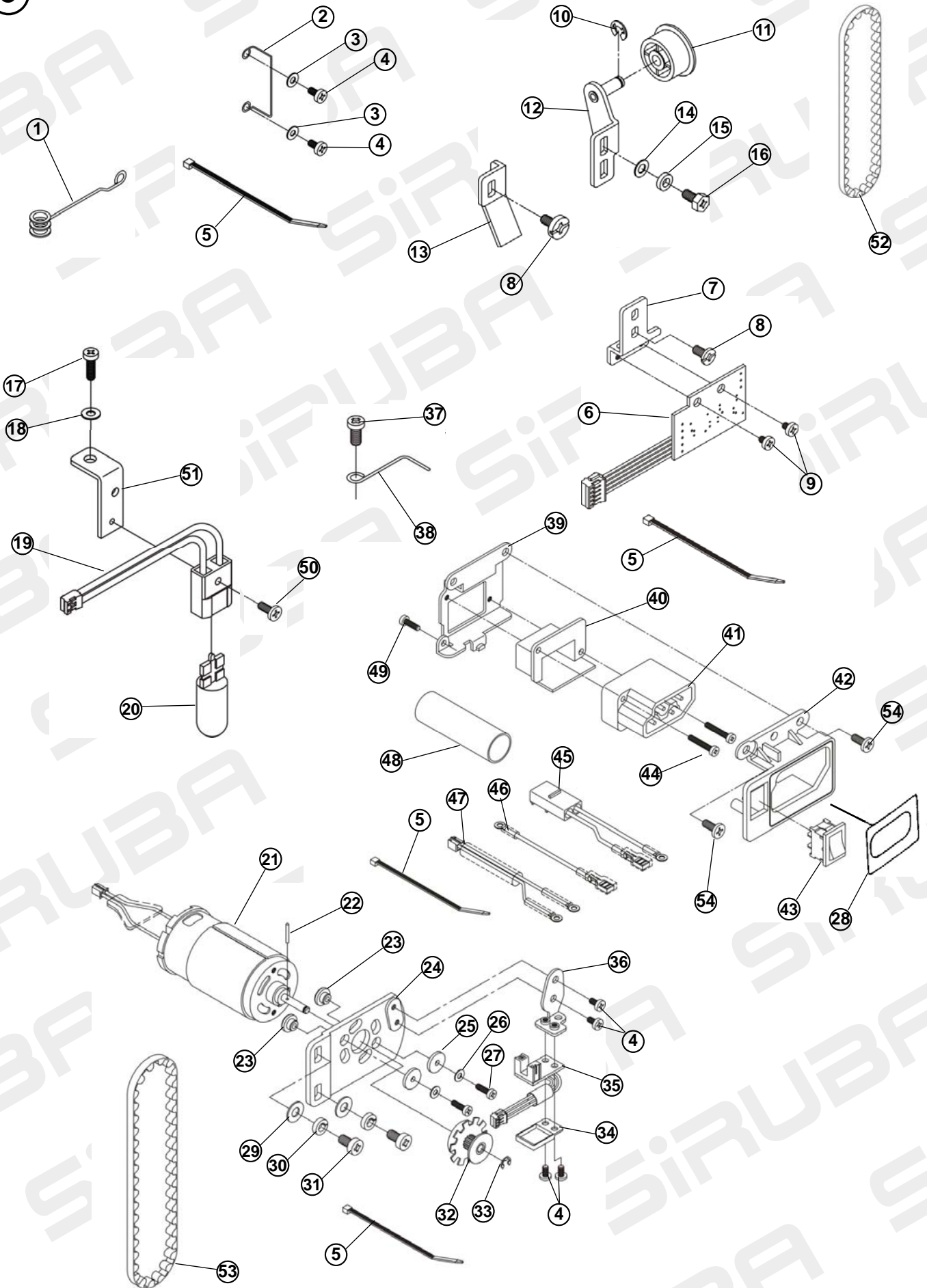
ref no.	part no.	name of parts	ref no.	part no.	name of parts
01	SP-301261003	SET SCREW 48	76	SP-650110007	CAM SET PIN
02	SP-680158000	NEEDLE PLATE	77	SP-650114001	LOWER SHAFT COLLAR RETAIN PLATE
03	SP-660018005	SPRING PLATE (L)	78	SP-650130003	SPRING
04	SP-000019149	SET SCREW	79	SP-650131004	FEEDING BASE SPRING FRAME PLATE
05	SP-660019006	BOBBIN CASE STOPPER PLATE	80	SP-301037008	SET SCREW
06	SP-000019172	SET SCREW	81	SP-650113000	LOWER SHAFT TIMING GEAR
07	SP-660017004	SPRING PLATE (R)	82	SP-680156008	FIXING PLATE B
08	SP-660016003	SPRING	83	SP-680172000	NOISE REDUCTION PLATE
09	SP-610086010	RELEASE BLOCK	84	SP-680201009	SPRING
10	SP-000008031	SET SCREW			
11	SP-000055000	NUT			
12	SP-301175009	SET SCREW			
13	SP-680157009	FEED DOG			
14	SP-650507005	FEEDING BASE COMP			
15	SP-650116003	LOWER SHAFT			
16	SP-000000206	SNAP RING 5D			
17	SP-680154006	SHAFT			
18	SP-650134007	FEEDING INTERMEDIATE CRANK			
19	SP-301046000	SET SCREW			
20	SP-250087002	SET SCREW			
21	SP-680155007	FIXING PLATE A			
22	SP-000057024	SET SCREW			
23	SP-680185006	SPRING			
24	SP-000016010	SCREW			
25	SP-680003009	TRANSPORT REGULATOR B			
26	SP-680002008	TRANSPORT REGULATOR A			
27	SP-680004000	TRANSPORT ROD			
28	SP-J00009116	WASHER			
29	SP-000012201	SNAP RING 4D			
30	SP-650125005	FORKED FORKED ROD SHAFT			
31	SP-650127007	FEEDING ADJUST SHAFT			
32	SP-650126006	FEEDING ADJUST CRANK			
33	SP-650124004	FORKED ROD			
34	SP-301046000	SET SCREW			
35	SP-301177001	SET SCREW			
36	SP-650123003	FEED ROCK SHAFT CRANK			
37	SP-301178002	SET SCREW			
38	SP-000009043	WASHER			
39	SP-250010004	SET SCREW			
40	SP-650128008	LOWER SHAFT PIN			
41	SP-650129009	SPRING			
42	SP-650092002	LINTS FREE CAP			
43	SP-650091001	SET PLATE			
44	SP-000009032	WASHER			
45	SP-000016032	SCREW			
46	SP-000011233	SET SCREW			
47	SP-650096006	SET BASE			
48	SP-301087003	SET SCREW			
49	SP-250087002	SET SCREW			
50	SP-650094004	GREASE PIPE			
51	SP-650095005	SHUTTLE SUPPORT SHAFT			
52	SP-610071104	HOOK RACE BODY			
53	SP-610081004	BOBBIN			
54	SP-650258008	WASHER			
55	SP-610504101	BOBBIN CASE COMP			
56	SP-660020000	SLIDE PLATE			
57	SP-000017044	SET SCREW			
58	SP-650315004	RUBBER			
59	SP-650313002	SPRING PLATE			
60	SP-650314003	SPRING PLATE BASE			
61	SP-000003209	SPRING PIN 2.5*8			
62	SP-000016009	SCREW			
63	SP-650104101	BOBBIN CASE STOP PLATE			
64	SP-650234101	BOBBIN CASE STOP PLATE			
65	SP-650090000	NEEDLE PLATE FIX PLATE			
66	SP-650105009	LOWER SHAFT			
67	SP-000000608	SNAP RING			
68	SP-301087003	SET SCREW			
69	SP-650112009	FEED LIFTING CAM			
71	SP-680160005	LOWER SHAFT PULLEY			
72	SP-650109106	SPRING			
73	SP-650108002	FEED LIFTING CAM			
74	SP-610035003	UPPER SHAFT BEARING			
75	SP-450062007	PLASTIC WASHER			

4



ref no.	part no.	name of parts
01	SP-680216007	TENSION SUPPORTER
02	SP-000016010	SCREW
03	SP-000004015	NUT
04	SP-650230004	THREAD GUIDE PIN
05	SP-000011288	SET SCREW
06	SP-650231005	SPRING HOLDER
07	SP-550004004	SPRING
08	SP-650229000	THREAD GUIDE SPRING CATCH
09	SP-380041000	SET SCREW
10	SP-000014007	WASHER
11	SP-680214005	THREAD ADJUSTED FIXATION
12	SP-301008000	SET SCREW
13	SP-000003243	SPRING PIN
14	SP-650228009	FORKED WASHER
15	SP-650037010	THREAD ADJUSTING BUTTON
16	SP-680215006	TENSION ADJUSTED FIXATION
17	SP-000000206	SNAP RING 4D
18	SP-650035007	ELESTICITY ADJUST
19	SP-650034006	SPRING
20	SP-650033005	SPRING FIX PLATE
21	SP-650032004	RELEASE PLATE
22	SP-650031003	TENSION DISC (RIGHT)
23	SP-650030002	TENSION DISC (LEFT)
24	SP-650029008	TENSION SHAFT
25	SP-650249006	FRONT COVER SET PLATE
26	SP-000016032	SCREW
27	SP-680167002	NOISE ABSORBER (A)
28	SP-680168003	NOISE ABSORBER (B)
29	SP-680169004	PIN
30	SP-680005001	Z/Z ROD
31	SP-680010009	ZIGZAG LINK SPRING
32	SP-680504005	CONTACTOR WIRE COMP
33	SP-680514008	MOTOR CONNECTION WIRE
34	SP-000000309	SNAP RING 5D
35	SP-650045000	WINDING ROD
36	SP-250087002	SET SCREW
37	SP-650041006	WINDING ROD BASE
38	SP-660027007	BOBBIN WINDER SHAFT
39	SP-301022000	BOBBIN WINDER SHAFT PIN
40	SP-353029008	COIL
41	SP-353030002	RUBBER RING
42	SP-000034003	SET SCREW
43	SP-650254004	SPRING
44	SP-650048003	SPRING
45	SP-351047006	BAND
46	SP-680803203	STEPPING MOTOR
47	SP-680025100	ZIGZAG GEAR
48	SP-000003209	SPRING PIN 2.5*8
49	SP-683001006	TUBE
50	SP-680022004	Z/Z MOTOR SUPPORT PLATE
51	SP-680806000	TRANSFORMER COMP
52	SP-301037008	SET SCREW
53	SP-680167002	NOISE ABSORBER (A)
54	SP-650042007	CLUTCH LINK
55	SP-680024006	Z/Z CONNECTING ROD B
56	SP-301193003	NUT
57	SP-301193003	NUT
58	SP-680023005	Z/Z CONNECTING ROD A
59	SP-680020105	TRANSPORT GEAR
60	SP-680090003	TRANSFER CAM
61	SP-000003601	SPRING PIN 2*12
62	SP-000012315	SNAP PING 5D
63	SP-680092005	CONNECTOR ROD SUPPORTER PLATE
64	SP-680093006	MOTOR SUPPORTER PLATE
65	SP-650179004	SPRING
66	SP-301037008	SET SCREW
67	SP-000003298	PIN
68	SP-683001006	TUBE
69	SP-680018007	TRANSPORT ROD A
70	SP-680019008	TRANSPORT ROD B
71	SP-000016021	SCREW
72	SP-000004015	NUT
73	SP-680091004	BUTTON

5



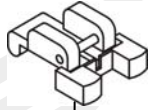
ref no.	part no.	name of parts
01	SP-655007005	CABLE FIXTURE
02	SP-680040008	CONNECTED FIXATION
03	SP-000014007	WASHER
04	SP-000016010	SCREW
05	SP-351047006	BAND
06	SP-683814000	POSITION COMP
07	SP-665001000	UPPER SHAFT FIX PLATE
08	SP-250087002	SET SCREW
09	SP-000016009	SCREW
10	SP-000000206	SNAP RING 4D
11	SP-650084001	BELT TENSION ADJUST PULLEY
12	SP-650083000	ADJUST PULLEY PLATE
13	SP-660093004	BELT STOPPER
14	SP-301009001	WASHER
15	SP-000021007	SPRING WASHER
16	SP-000020051	SET SCREW
17	SP-301037008	SET SCREW
18	SP-301257006	WAVE WASHER
19	SP-680807001	LIGHT CORD COMP
20	SP-680822002	BULB
21	SP-680801005	MOTOR COMP
22	SP-000003807	SPRING PIN 2*14
23	SP-680008004	MOTOR WASHER
24	SP-680007003	MOTOR COVER
25	SP-680009005	MOTOR WASHER
26	SP-000014007	WASHER
27	SP-000019138	SET SCREW
28	SP-650235032	RECEPTACLE PLATE
29	SP-000014281	WASHER
30	SP-450063008	SPRING WASHER
31	SP-301143008	SET SCREW
32	SP-301555306	MOTOR PULLEY
33	SP-000000103	SNAP RING 3D
34	SP-665003002	ISOLATED COVER
35	SP-683813009	SPEED SENSE COMP.
36	SP-665002104	SUPPORTER PLATE
38	SP-680038003	CONNECTOR FIXED
39	SP-650207002	RECEPTACLE FIXED PLATED
40	SP-301300005	CONNECTION BOX COVER
41	SP-683805008	RECEPTACLE COMP
42	SP-650203019	RECEPTACLE BASE
43	SP-655808004	POWER SWITCH
44	SP-000062044	SET SCREW
45	SP-680825005	POWER RECEPTACLE COMP
46	SP-680826006	POWER WIRE COMP
47	SP-680827007	WIRE CONNECTER COMP
48	SP-680082002	PLUG TUBE
49	SP-000011222	SET SCREW
50	SP-000019219	SET SCREW
51	SP-680824004	FIXED PLATE
52	SP-610007006	BELT
53	SP-653127006	BELT
54	SP-000016032	SCREW

6

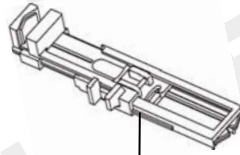
ACCESSORIES



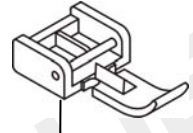
1



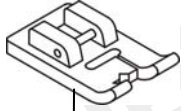
2



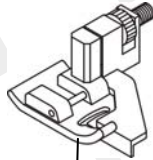
3



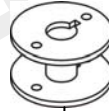
4



5



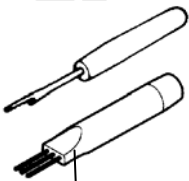
6



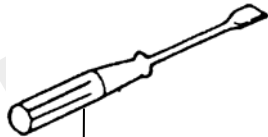
7



8



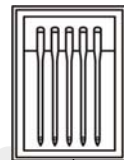
9



10



11



12



13



14



15



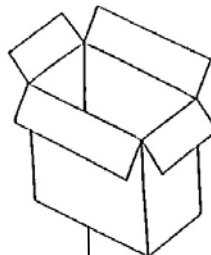
16



17



18

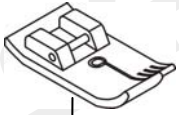


19

ref no.	part no.	name of parts
01	SP-610412008	ALL PURPOSE FOOT
02	SP-301406002	BUTTON SEWING FOOT
03	SP-680401001	BUTTONHOLE FOOT
04	SP-610411007	ZIPPER FOOT
05	SP-650401008	SATIN STITCH FOOT
06	SP-610410006	BLIND HEM FOOT
07	SP-610081004	BOBBIN
08	SP-660403001	NEEDLE PLATE SCREW DRIVER
09	SP-653410102	BUTTONHOLE CUTTER
10	SP-301439004	SCREW DRIVER (LARGE)
11	SP-301440008	SCREW DRIVER (SMALL)
12	SP-301244206	# 14 NEEDLES
	SP-301407209	# 11 NEEDLES:
13	SP-610401026	SPOOL CAP (LARGE)
14	SP-610414022	SPOOL CAP (SMALL)
15	SP-683802005	FOOT CONTROLLER (FDM)
16	SP-683408007	INSTRUCTION MANUAL
17	SP-653406105	THREADING STICKER
18	SP-353435001	DUST COVER
19	SP-683712007	CARTON

7

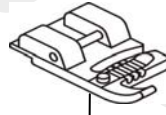
ACCESSORIES (OPTION)



1



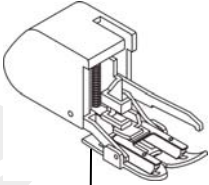
2



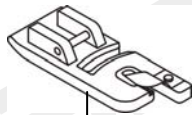
3



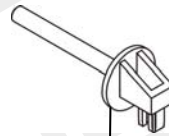
4



5



6



7



8

ref no.	part no.	name of parts
---	-----	-----
01	SP-610407000	Quilting foot
02	SP-610408001	Overcasting foot
03	SP-650418008	Cording foot
04	SP-J18442006	Embroidery foot
05	SP-650429002	Walking foot
06	SP-610409002	Hemmer foot
07	SP-650403011	Extra spool pin
08	SP-301434009	Quilting guide



HSP-6854

高林股份有限公司 KAULIN MFG. CO., LTD.