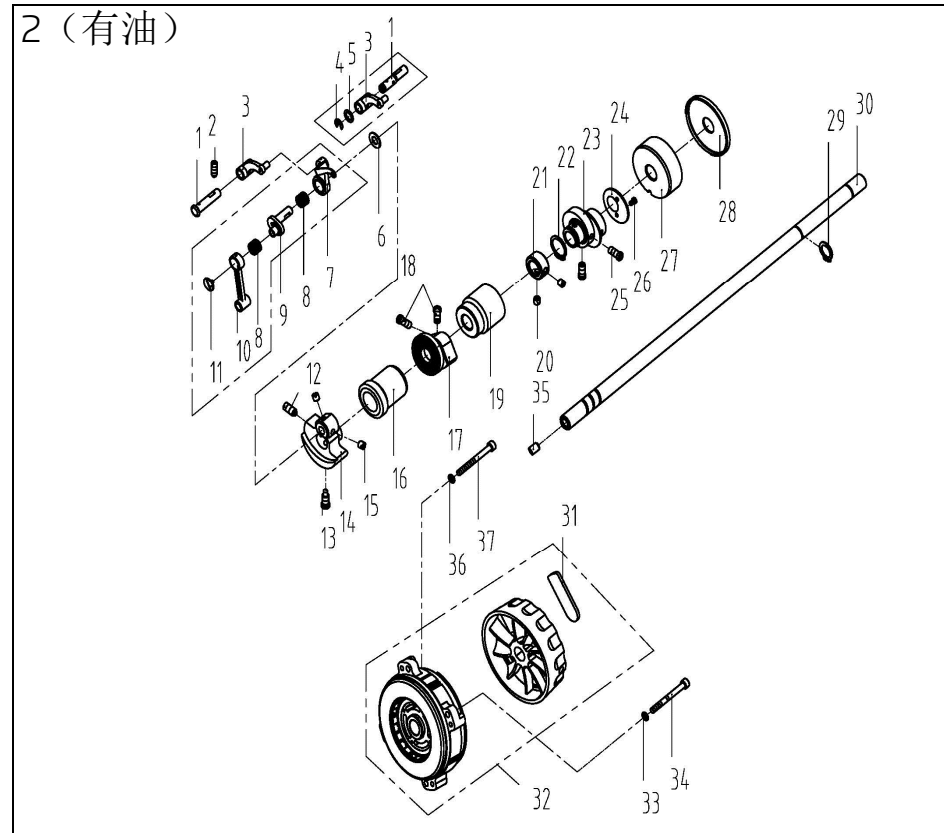


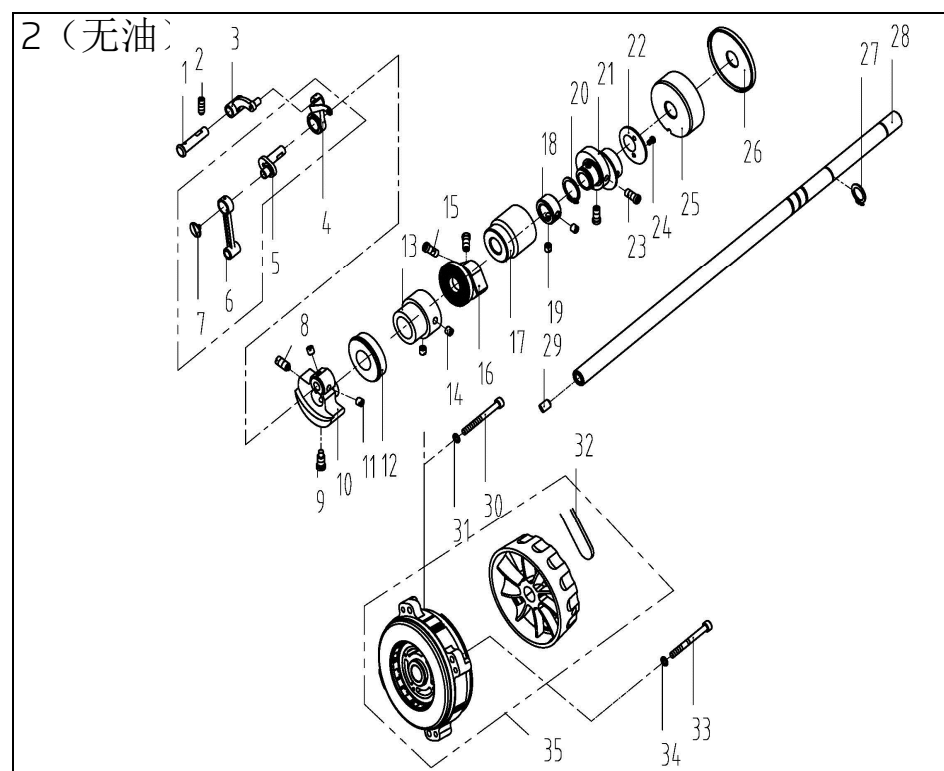
1. 机壳、外装分组件/Machine Frame & Miscellaneous Cover Components

序号NO.	公司件号	Part NO.	名称	PartName	零件描述	Description	数量	Number
1	10151001		后盖板螺钉SM3/16"×28 L=9	Screw SM3/16"×28 L=9			3	
2	10122003		面胶 调节孔塞	Rubber plug			2	
3	1387002		商标纸	Head card			1	
4	302893		面胶 (喷漆)	Face plate asm			1	
5	13813005		左线钩	Thread guide left			1	
6	10151007		左线杆螺钉SM11/64"×40 L=6	Screw SM11/64"×40 L=6			1	
7	10122114		面胶垫	Face plate gasket			1	
8	10151027		防油板螺钉SM1/8"×44 L=3.4 (有油)	Screw SM1/8"×44 L=3.4			1	
9	11412082		面部防油板 (有油)	Face oil shield asm			1	
10	10123002		针杆上盖塞	Rubber plug			1	
11	10122013		针杆上封套孔塞	Rubber plug			1	
12	10122005		橡胶密封圈塞孔塞	Rubber plug			1	
13	10122004		针杆前盖孔塞	Rubber plug			1	
14	10151004		橡胶杆护套螺钉SM3/16"×28 L=7	Screw SM3/16"×28 L=7			1	
15	13812018		橡胶杆护套罩	Thread take-up lever cover			1	
16	10151004		橡胶杆护套螺钉SM3/16"×28 L=7	Screw SM3/16"×28 L=7			1	
17	13512004		三孔线钩	3-hole thread guide			1	
18	10122005		橡胶杆护套螺钉SM3/16"×28 L=7	Screw SM3/16"×28 L=7			1	
19	11451015		橡胶刀螺钉SM9/64"×40 L=6	Screw SM9/64"×40 L=6			2	
20	1149001		橡胶刀	Knife			1	
21	20722002		油塞	Rubber plug			1	
22	10122113		后盖板垫	Side plate gasket			1	
23	302892		后盖板 (喷漆)	Side plate			1	
24	10151001		后盖板螺钉SM3/16"×28 L=9	Screw SM3/16"×28 L=9			11	
25	1013007900		LED 灯	LED asm			1	
26	10151001		后盖板螺钉SM3/16"×28 L=9	Screw SM3/16"×28 L=9			1	
27	1013051		电路板	Card hold			1	
28	10122009		直流电机螺钉M5×20	Screw M5×20			1	
29	W01009		垫圈 19.1-1985 垫圈 5	Washer5			4	
30	10131001		电机+25A平缝一体机控制盒 (T19)	Electronic control box			1	
31	114530001		针杆取针器 (内六角)	Thread take-up crank			3	
32	10133045		送料调节孔塞	Rubber plug			1	
33	10122007		下轴工艺孔塞	Rubber plug			1	
34	1013004		右线钩	Thread guide right			1	
35	10151007		右线杆螺钉SM11/64"×40 L=6	Screw SM11/64"×40 L=6			1	
36	10151006		螺钉 SM15/64"×28 L=10.5	Screw SM15/64"×28 L=10.5			1	
37	40156001		螺母 SM9/64"×40	Nut SM9/64"×40			1	
38	11431011		固定式线钩	Thread guide			1	
39	10126030		松线钉	Tension release pin			1	
40	10122014		橡胶圈	Rubber ring			1	
41	10151005		橡胶圈螺钉SM9/64"×40 L=5.5	Screw SM9/64"×40 L=5.5			1	
42	10127001		橡胶圈	Thread take-up spring			1	
43	1013011		橡胶圈	Thread tension base			1	
44	10122005		橡胶圈	Thread tension disk			1	
45	1012006		橡胶圈	Disk stopper			1	
46	101530002		橡胶圈	Thread tension post			1	
47	10127002		橡胶圈	Thread tension spring A			1	
48	1012007		橡胶圈	Thread disk rotating stopper			1	
49	10151052		橡胶圈	Thread tension nut			1	
50	1381300500		橡胶圈	Thread tension asm.			1	
51	W06001		双面胶垫圈	Electronic control box			1	
52	20651002		螺母 M4×7	Screw			1	
53	1013041		二孔线钩	2-hole thread guide			1	
54	10151001		橡胶圈	Machine head stud			2	
55	10151019		橡胶圈	Screw SM9/32"×56 L=2			4	
56	10151002		橡胶圈	Side plate			1	
57	10127009		橡胶圈	Side plate spring			1	
58	10151002		橡胶圈	Screw SM11/64"×40 L=8.5			2	
59	1285014		橡胶圈	Throat plate			1	
60	10151002		橡胶圈	Screw SM11/64"×40 L=6.4			2	
61	1285012		橡胶圈	Auxiliary needle plate I			1	
62	11451015		橡胶圈	Screw SM9/64"×40 L=6			2	
63	12811004		橡胶圈	Drop hopper			1	
64	12812034		橡胶圈	Binding			1	
65	12815013		橡胶圈	Auxiliary needle plate II			1	
66	12809004		橡胶圈	Hemming support			1	
67	12809005		橡胶圈	Shim			1	
68	S01001		螺母 M4×7	Screw M4×7			2	
69	S01001		螺母 M4×7	Screw M4×7			2	
70	10151002		橡胶圈	Screw SM11/64"×40 L=6.4			2	



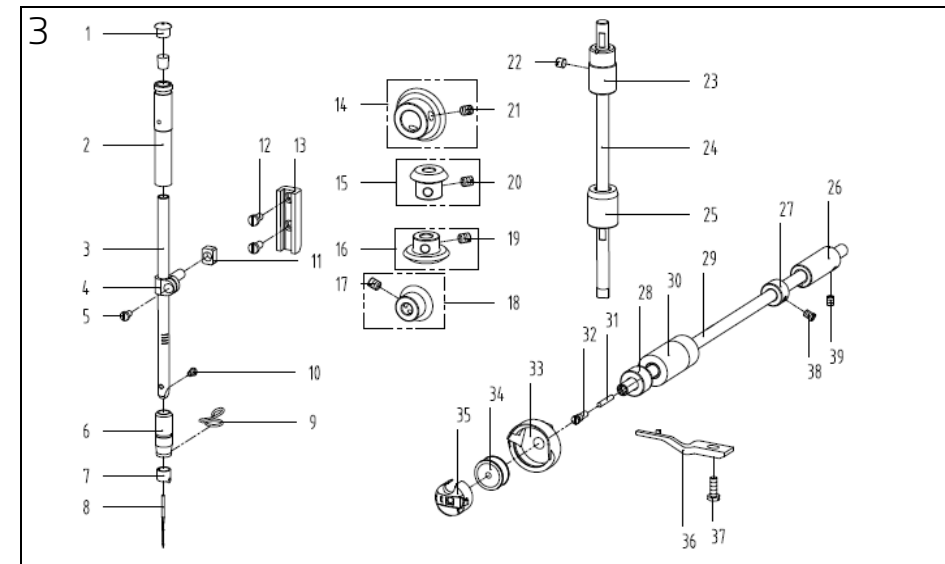
2. 主轴挑线分组件 (有油) /Main Shaft & Thread Take-up Components (Oil Head)

序号NO.	公司件号	Part NO.	名称	PartName	零件描述	Description	数量	Number
1	11326013		挑线连杆销	Thread take-up connecting rod pin			1	
2	10151001		螺钉 SM15/64"×28 L=15	Screw SM15/64"×28 L=15			1	
3	11305010		挑线连杆	Thread take-up connecting rod			1	
4	H05013		止动圈	Snap ring			1	
5	11326010		垫圈	washer			1	
6	1012013		针杆曲柄板	Needle bar crank protecting plate			1	
7	101380100		挑线杆分组件	Thread take-up lever asm.			1	
8	10124001		挑线杆滚针轴承	Needle bearing			1	
9	11310012		挑线杆分组件	Thread take-up crank			1	
10	10105002		针杆连杆	Needle bar connecting rod			1	
11	10151001		挑线杆滚针轴承 (左装)	Screw			1	
12	10151004		针杆曲柄盖螺钉 SM9/32"×28 L=16	Screw SM9/32"×28 L=16			1	
13	10151003		针杆曲柄盖螺钉 SM9/32"×28 L=16	Screw SM9/32"×28 L=16			1	
14	12804001		针杆曲柄	Needle bar crank			1	
15	10151002		送料偏心轮螺钉 SM1/4"×40 L=6	Screw SM1/4"×40 L=6			1	
16	1280300500		主轴衬套前盖 (有油)	Main shaft bushing front			1	
17	12801005		切刀连杆平衡板	Balance			1	
18	40251012		螺钉 SM15/64"×28 L=9	Screw SM15/64"×28 L=9			2	
19	12203002		主轴衬套	Main shaft bushing mid			1	
20	101514001		主轴衬套螺钉 SM1/4"×40 L=6	Screw SM1/4"×40 L=6			2	
21	10108001		主轴衬套	Main shaft thrust collar			1	
22	H03002		挡圈 20	Snap ring 20			1	
23	11310014		送料偏心轮	Feed eccentric cam			1	
24	1012017		送料偏心轮盖板	Cover plate			1	
25	10151013		送料偏心轮螺钉 SM1/4"×40 L=13	Screw SM1/4"×40 L=13			2	
26	10151005		针杆小螺钉 SM9/64"×40 L=5	Screw SM9/64"×40 L=5			2	
27	12803014		主轴衬套	Main shaft bushing rear			1	
28	10122008		主轴	Main shaft			1	
29	H03001		挡圈 15	Snap ring 15			1	
30	12802030		主手	Main shaft Handwheel			1	
31	13811021		手轮胶条	lable			1	
32	10133045		螺母 M4×7	Screw M4×7			1	
33	GB/T93-1987		弹簧垫圈 5	Spring washer 5			1	
34	11451001		直流电机螺钉 M5×20	Screw M5×20			3	
35	10122012		上轴孔塞	Rubber plug			1	
36	GB/T93-1987		弹簧垫圈 5	Spring washer 5			1	
37	S05218		螺母 M5×22	Screw M5×22			1	



2. 主轴挑线分组件 (无油) /Main Shaft & Thread Take-up Components (Dry Head)

序号NO.	公司件号	Part NO.	名称	PartName	零件描述	Description	数量	Number
1	1225001		挑线连杆销	Thread take-up connecting rod pin			1	
2	10151001		螺钉 SM15/64"×28 L=15	Screw SM15/64"×28 L=15			1	
3	1225001		挑线连杆	Thread take-up connecting rod			1	
4	123800100		挑线杆分组件	Thread take-up lever asm.			1	
5	1220400200		挑线曲柄	Thread take-up crank			1	
6	12205002		针杆连杆	Needle bar connecting rod			1	
7	10151001		挑线曲柄螺钉 SM9/64"×40 L=6	Screw SM9/64"×40 L=6			1	
8	10151004		针杆曲柄盖螺钉 SM9/32"×28 L=16	Screw SM9/32"×28 L=16			1	
9	10151003		针杆曲柄盖螺钉 SM9/32"×28 L=16	Screw SM9/32"×28 L=16			1	
10	12804001		针杆曲柄	Needle bar crank			1	
11	10151002		送料偏心轮螺钉 SM1/4"×40 L=6	Screw SM1/4"×40 L=6			2	
12	H05013		止动圈	Snap ring			1	
13	12203001		主轴衬套	Main shaft front bushing			1	
14	S10009		螺钉	Screw			2	
15	40251012		螺钉 SM15/64"×28 L=9	Screw SM15/64"×28 L=9			2	
16	12801005		切刀连杆平衡板	Balance			1	
17	12203002		主轴衬套	Main shaft bushing mid			1	
18	10108001		主轴衬套	Main shaft thrust collar			1	
19	101514001		主轴衬套螺钉 SM1/4"×40 L=6	Screw SM1/4"×40 L=6			2	
20	H03002		挡圈 20	Snap ring 20			1	
21	11310014		送料偏心轮	Feed eccentric cam			1	
22	1012017		送料偏心轮盖板	Cover plate			1	
23	10151013		送料偏心轮螺钉 SM1/4"×40 L=13	Screw SM1/4"×40 L=13			2	
24	10151005		针杆小螺钉 SM9/64"×40 L=5	Screw SM9/64"×40 L=5			2	
25	12803014		主轴衬套	Main shaft bushing rear			1	
26	10122008		主轴	Main shaft			1	
27	H03001		挡圈 15	Snap ring 15			1	
28	12802029		主手	Main shaft Handwheel			1	
29	10122012		上轴孔塞	Rubber plug			1	
30	S05218		螺母 M5×22	Screw M5×22			1	
31	GB/T93-1987		弹簧垫圈 5	Spring washer 5			1	
32	13811021		手轮胶条	lable			1	
33	11451001		直流电机螺钉 M5×20	Screw M5×20			3	
34	GB/T93-1987		弹簧垫圈 5	Spring washer 5			3	
35	10133045		螺母 M4×7	Screw M4×7			1	

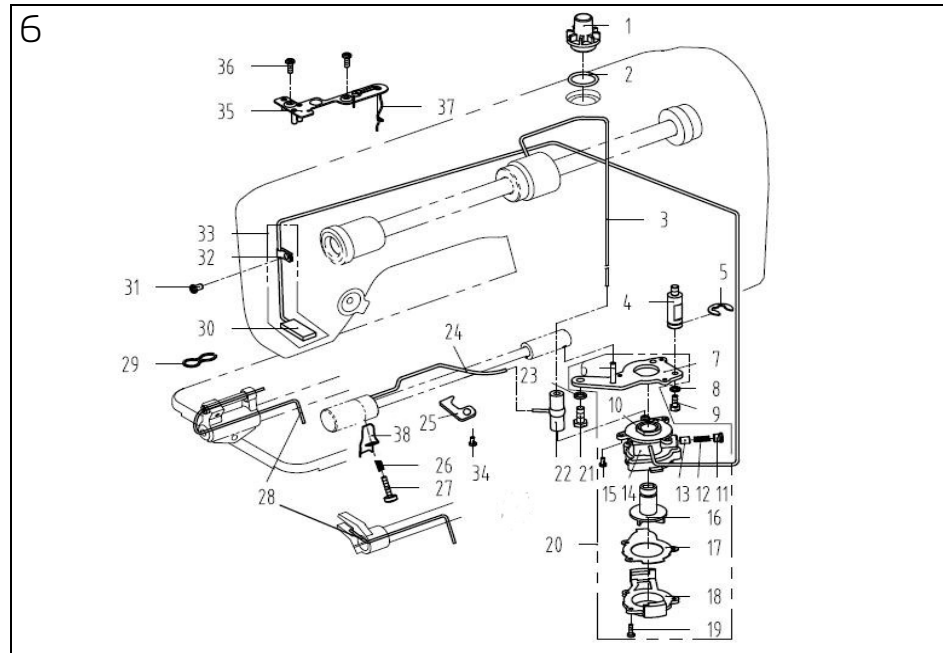


3. 针杆、竖轴、下部部件/Needle bar,Upright Shaft & Hook Driving Shaft Compone

序号NO.	公司件号	Part NO.	名称	PartName	零件描述	Description	数量	Number
1	10122013		针杆上封套孔塞	Rubber plug			1	
2	10103009		针杆上衬套	Needle bar bushing upper			1	
3	12802009		针杆 (有油)	Needle bar (Oil Head)			1	
4	12802008		针杆 (无油)	Needle bar (Dry Head)			1	
5	10138002		针杆连接杆	Needle bar connecting rod			1	
6	10151005		螺钉 SM9/64"×40 L=6	Screw SM9/64"×40 L=6			1	
7	10103010		针杆下衬套	Needle bar bushing lower			1	
8	12813002		针杆线钩	Needle bar thread guide			1	
9	1017001		针杆针	Needle			1	
10	1013009		针杆下衬套线钩	Lower bushing thread guide			1	
11	10151006		支针螺钉 (2.0) SM1/8"×44 L=4.5	Screw SM1/8"×44 L=4.5			1	
12	10151008		消块导轨螺钉 SM11/64"×40 L=8	Screw SM11/64"×40 L=8			2	
13	10109002		针杆接头消块	Needle bar guide			1	
14	10425004		上轴伞齿轮	Upper shaft bevel gear			1	
15	10425003		整轴上伞齿轮	Upper small bevel gear asm			1	
16	10425002		整轴下伞齿轮	Lower large bevel gear asm			1	
17	10151007		齿轮螺钉 SM1/4"×40 L=7	Screw SM1/4"×40 L=7			2	
18	10425001		钩驱动轴伞齿轮	Hook drive shaft bevel gear			1	
19	10151007		钩驱动轴螺钉 SM1/4"×40 L=7	Screw SM1/4"×40 L=7			2	
20	10151007		钩驱动轴螺钉 SM1/					

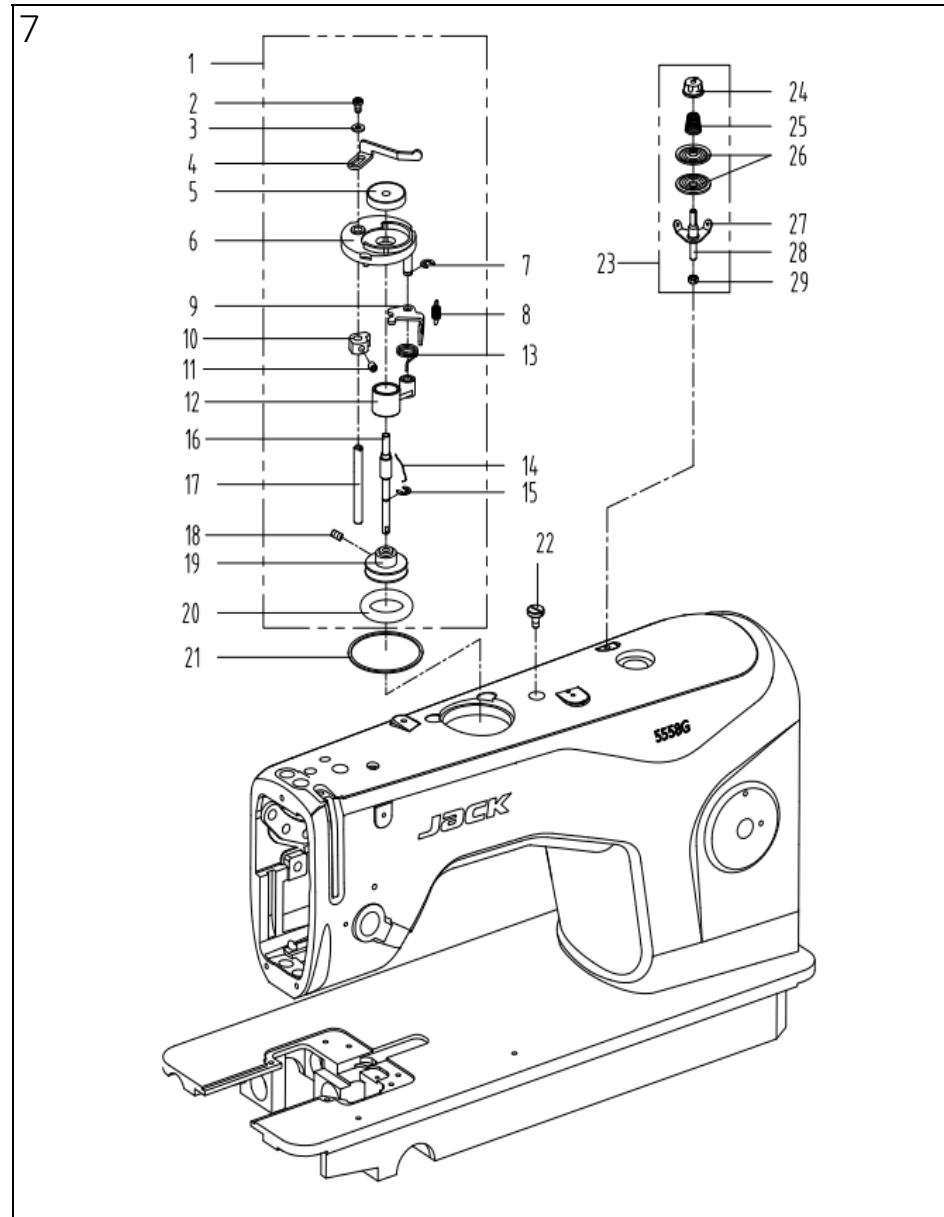
5. 送料分组件/Feed Mechanism Components

序号NO	公司件号	Part NO.	名称	PartName	零件描述	Description	数量	Number
22	H202001		扭牙轴		Feed driving shaft		1	
23	K1515006		JX-5550-0330美线器螺钉		Screw		1	
24	K1515013		螺钉SM15/64"x28 L=10		ScrewSM15/64"x28 L=10		1	
25	302933		倒送扳手(喷)		Reverse feed lever asm		1	
26	K1013024		倒送料轴衬套		Reverse feed shaft bushing back		1	
27	K1012023		倒送料轴		Reverse feed shaft		1	
28	K1012017		倒送料轴O形圈		Rubber ring		1	
29	K1018003		送料轴轴衬套		Feed rocker shaft snap ring		4	
30	K1515002		送料轴轴衬套螺钉SM1/4"x40 L=6		Screw SM1/4"x40 L=6		2	
31	K1043015		衬套		Bushing		2	
32	H03001		止T894 L=1989挡圈		Snap ring 15		1	
33	K1018003		送料轴轴衬套		Feed rocker shaft snap ring		1	
34	K1515002		送料轴轴衬套螺钉SM1/4"x40 L=6		Screw SM1/4"x40 L=6		2	
35	K1043015		衬套		Bushing		1	
36	H03001		止T894 L=1989挡圈		Snap ring 15		1	
37	K1040007		扭牙叉形曲柄		Driving shaft crank		1	
38	H6151005		扭牙叉形曲柄螺钉SM11/64"x40 L=13		Screw SM11/64"x40 L=13		1	
39	I284005		送料牙3/16		Feed dog		1	
40	K1017001		牙架		Feed bar asm.		1	
41	K1515016		SM3/16"x28 L=14		Screw SM3/16"x28 L=14		1	
42	K128003		牙架螺钉垫圈		Washer		1	
43	K1515025		复位板螺钉SM11/64"x40 L=7		Screw SM11/64"x40 L=7		2	
44	K126013		牙架销		Feed bar pin		1	
45	K1010003		牙架床		Feed bar bed.		1	
46	400689		牙架组件(成品)		Feed bar asm.		1	
47	K1515018		送料牙螺钉 SM1/8"x44 L=6		Screw SM1/8"x44 L=6		2	
48	K1515010		左销螺钉 SM15/64"x28 L=10.5		Screw SM15/64"x28 L=10.5		2	
49	K126009		送料牙轴衬套		Left pin		1	
50	K1026007		短推板连接销		Connecting pin		1	
51	K1019005		送料短推板		Feed short shaking plate		1	
52	K1019004		送料长推板		Feed long shaking plate		1	
53	K1012607		短推板连接销		Connecting pin		1	
54	K1010200		送料推板底座分组件		Feed shaking plate bed components Right pin		1	
55	K1012610		送料推板底座右销		components Right pin		1	
56	K1515010		左销螺钉SM15/64"x28 L=10.5		Screw SM15/64"x28 L=10.5		1	
57	H427011		送料调节弹簧		Spring		1	
58	H05003		挡圈5		Snap ring 5		1	
59	H412081		拉簧固定板		Pull spring fixing plate		1	
60	K127011		倒送料拉簧		Reverse feed pull spring		1	
61	H4402700		倒送料轴组件		Feed reverse crank asm.		1	
62	H32005		套管		Tube		1	
63	H4330007		弹簧垫圈螺钉		Screw		1	
64	H432015		弹簧垫圈M4		Spring washer M4		1	
65	H4350004		螺母SM11/64"x40		Nut SM11/64"x40		1	
66	S0102		螺钉		Screw		1	
67	H329020		挡圈5		Snap ring 5		1	
68	K1012605		送料齿轴合销		Pin		1	
69	K1012700		送料齿轴合簧		Spring		1	



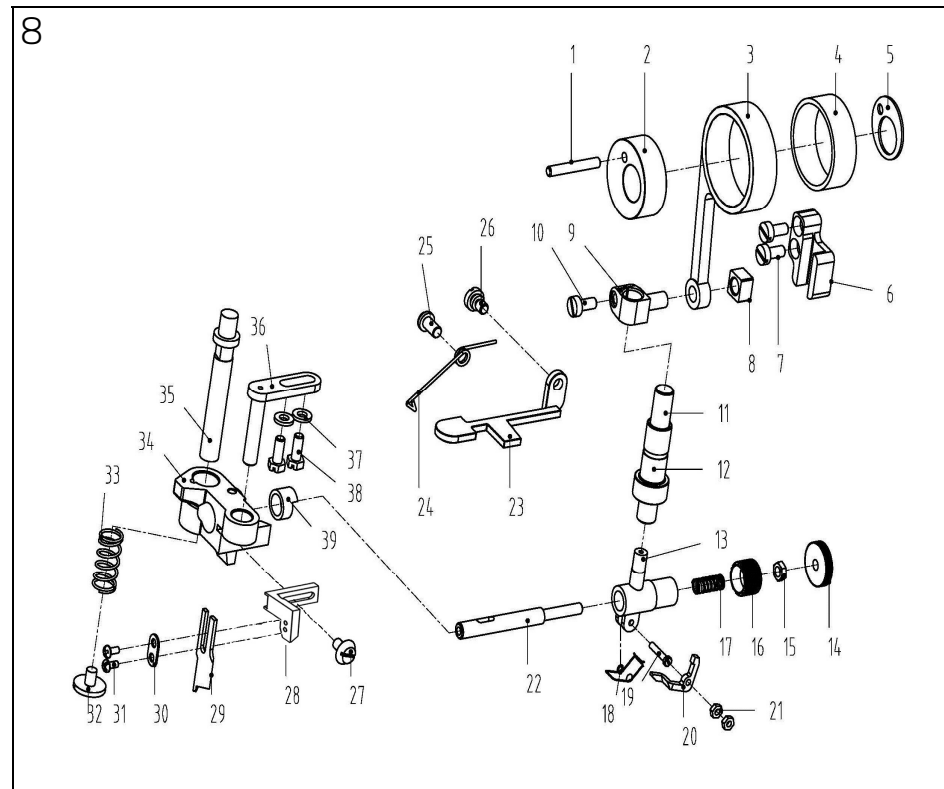
6. 润滑组件/Oil Lubrication Components

序号NO	公司件号	Part NO.	名称	PartName	零件描述	Description	数量	Number
1	H211004		油窗		Oil sight window		1	
2	K1022019		油窗O形圈		Rubber ring		1	
3	H421008		主轴供油管		Main shaft oil tube		1	
4	K1530008		油泵连接螺栓		Oil pump connecting stud		1	
5	H329010		开口挡圈10		Snap ring 10		1	
6	K1012001		扭牙轴驱动轴油管		Hook driving shaft oil tube		1	
7	K1012020		油泵安装板		Oil pump installing base		1	
8	W03002		弹簧		Spring washer		1	
9	K1515011		压脚螺钉SM11/64"x40 L=9.5		Screw SM11/64"x40 L=9.5		1	
10	K1013022		油泵衬套		Oil pump bushing		1	
11	K1530007		柱塞螺钉		Plunger screw		1	
12	K1012013		柱塞弹簧		Plunger spring		1	
13	K1012018		油封衬套		Plunger		1	
14	K1012001		油泵		Oil pump		1	
15	S04093		油架螺钉		Screw		3	
16	K1011003		油泵叶轮		Oil pump impeller		1	
17	K1012021		油泵叶轮衬套		Oil pump impeller cover		1	
18	K1011007		油架盖		Lubricating oil pump cover		1	
19	K1530006		螺钉		Screw		3	
20	K10200100		油泵分组件		Lubricating oil pump component		1	
21	K1515026		螺钉SM15/64"x28 L=9		Screw SM15/64"x28 L=9		1	
22	K136001		供油管接头		Rubber joint		1	
23	W02004		止T83-1987挡圈M6		Spring Washer M6		1	
24	H321002		供油管		Hook oil tube		1	
25	K1012022		取油管压板		Tube holder (lower)		1	
26	H327014		油量调节螺钉弹簧		Spring		1	
27	K1530001		油量调节螺钉		Screw		1	
28	K1023005		油封		Oil seal		1	
29	K1012015		油封毡		Oil felt		1	
30	K1012015		油封毡		Oil felt felt		1	
31	K1515004		送料轴衬套螺钉SM3/16"x28 L=7		Screw SM3/16"x28 L=7		1	
32	K1012023		油管夹		Oil tube clamp		1	
33	K1012007		回油管组件		Oil return tube component		1	
34	K1515026		螺钉SM15/64"x28 L=9		Screw SM15/64"x28 L=9		1	
35	K1012025		油封固定板(有油)		Oil Wick fixing plate		1	
36	K1515010		压脚板手螺钉SM9/64"x40 L=11(有)		Screw SM9/64"x40 L=11 (Oil Head)		2	
37	K1012010		油封(有油)		Oil Wick (Oil Head)		1	
38	H321031		挡油罩		Oil shield cover		1	



7. 绕线器组件/Bobbin Components

序号NO	公司件号	Part NO.	名称	PartName	零件描述	Description	数量	Number
1	H38103900		绕线器组件		Bobbin winder asm.		1	
2	H451008		螺钉M4x6		Screw M4x6		1	
3	GB17971		垫圈4		Washer		1	
4	K1013030		压线控制板		Thread press control plate		1	
5	K101120		绕线衬套		Winding pad		1	
6	H381101		绕线器装置主座		Bobbin winder bed		1	
7	GB/T 896-1986		开口挡圈5		Snap ring		1	
8	K10127061		复位板拉簧		Spring		1	
9	H381210		调节板		Regulating plate		1	
10	K1010030		绕线凸轮		Bobbin winder cam		1	
11	S09045		螺钉		Screw		1	
12	H380510600		绕线器连接杆组件		Bobbin winder connecting rod		1	
13	H382703		绕线复位位置		Spring		1	
14	K10127060		弹簧		Spring		1	
15	GB/T 896-1986		开口挡圈4		Snap ring		1	
16	H380211		绕线器主轴		Bobbin winder main shaft		1	
17	H3802026		绕线器凸轮轴		Bobbin winder cam shaft		1	
18	S09103		绕线轴螺钉		Screw		2	
19	H381102		绕线轮		Bobbin winder wheel		1	
20	G0110		O形圈		Ring		1	
21	H422062		密封垫		Washer		1	
22	H4510003		螺钉SM3/16"x28 L=10		Screw SM3/16"x28 L=10		3	
23	H38100600		绕线头绕线器		Bobbin thread tension asm.		1	
24	H3810004		绕线螺母		Thread tension nut		1	
25	H427006		小夹线弹簧		Spring		1	
26	K1012005		夹线板		Thread tension disk		2	
27	H413022		夹线过线板		Thread tension guide plate		1	
28	H253004		绕线螺钉		Screw		1	
29	H4510001		螺母SM11/64"x40		Nut SM11/64"x40		1	



8. 切刀专用部件/Knife Components

序号NO	公司件号	Part NO.	名称	PartName	零件描述	Description	数量	Number
1	I2726001		切刀凸轮销(无油)		Pin (Dry Head)		1	
2	I2726003		切刀凸轮销(有油)		Pin (Oil Head)		1	
3	I2710002		切刀凸轮(无油)		Knife com (Dry Head)		1	
4	I2810001		切刀凸轮(有油)		Knife com (Oil Head)		1	
5	I2708003		切刀连杆(无油)		切刀连杆 (Dry Head)		1	
6	I2805003		切刀连杆(有油)		切刀连杆 (Oil Head)		1	
7	I27240100		切刀连杆轴承(无油)		Knife connecting rod bearing (Dry Head)		1	
8	I2807041		切刀连杆轴承(有油)		Knife connecting rod bearing (Oil Head)		1	
9	I2812005		切刀凸轮盖板		Cover plate		1	
10	I2809001		切刀导板导轨		Slide bolt/guide rail		1	
11	I01S1008		导板导螺螺钉 SM11/64"x40 L=8		Screw SM11/64"x40 L=8		2	
12	I2809002		切刀导板		Slide bolt/guide rail		1	
13	I2804002		切刀驱动轴连接柱		Knife driving stud connection asm		1	
14	I2809109		止摆孔头螺钉 SM9/64"x40 L=9.5		Screw SM9/64"x40 L=9.5		1	
15	I2802008		切刀轴(无油)		Knife shaft (Dry Head)		1	
16	I2802011		切刀轴(有油)		Knife shaft (Oil Head)		1	
17	I2803001		切刀轴衬套		Bushing		1	
18	I2804003		切刀离合支架		Knife driving rod clutch bracket		1	
19	I2811001		切刀离合销轴		Knob		1	
20	I2811003		螺母		Nut		1	
21	I2801002		切刀离合销盖		Cap		1	
22	I2827001		切刀离合销簧		Spring		1	
23	I2827002		切刀离合销簧		Spring		1	
24	I2826002		切刀离合销簧		Spring		1	
25	I2805001		切刀离合销簧		Spring		1	
26	I01S1018		止T83-1986六角螺母		止T83-1986六角螺母		2	
27	I2812001		切刀驱动轴连接柱		Knife driving rod connection pin		1	
28	I2827008		切刀轴手扳手柄		Knife bed component pull down handle		1	
29	I2827008		扭簧		Spring		1	
30	I28S11001		扭簧螺钉		Screw SM3/16"x28 L=14		1	
31	I2812006		扭簧螺钉SM11/64"x40		hinge Screw SM11/64"x40		1	
32	I2812001		切刀架螺钉 SM11/64"x40 L=8		Screw SM11/64"x40 L=8		1	
33	I281032		切刀架		Knife bracket		1	
34	I2818001		上切刀		Knife		1	
35	I2812008		上切刀压板		Press plate		1	
36	I01S1027		螺钉 SM1/8"x44 L=6		Screw SM1/8"x44 L=6		2	
37	I01S1023		送料调节器轴衬套SM3/16"x28 L=6.5		Screw SM3/16"x28 L=6.5		1	
38	I2827007		切刀架复位位置		Spring		1	
39	I2801003		切刀架复位位置		Spring		1	
40	I2802021		切刀架复位位置		Spring		1	
41	I2802021		切刀架复位位置		Spring		1	
42	I2802021		切刀架复位位置		Spring		1	
43	I2802021		切刀架复位位置		Spring		1	
44	I2802021		切刀架复位位置		Spring		1	
45	I2802021		切刀架复位位置		Spring		1	
46	I2802021		切刀架复位位置		Spring		1	
47	I2802021		切刀架复位位置		Spring		1	
48	I2802021		切刀架复位位置		Spring		1	
49	I2802021		切刀架复位位置		Spring		1	
50	I2802021		切刀架复位位置		Spring		1	
51	I2802021		切刀架复位位置		Spring		1	
52	I2802021		切刀架复位位置		Spring		1	
53	I2802021		切刀架复位位置		Spring		1	
54	I2802021		切刀架复位位置		Spring		1	
55	I2802021		切刀架复位位置		Spring		1	
56	I2802021		切刀架复位位置		Spring		1	
57	I2802021		切刀架复位位置		Spring		1	
58	I2802021		切刀架复位位置		Spring		1	
59	I2802021		切刀架复位位置		Spring		1	
60	I2802021		切刀架复位位置					