
开头语

衷心感谢您购买本公司产品！使用缝纫机之前，请认真阅读此说明书。本说明书介绍了缝纫机日常使用、维护与安全的有关注意事项。请您仔细加以保管，以便日后查阅。如产品规格或外观经过改良可能会与说明书略有不同，恕不另行通知。

PROLOGUE

Thanking you for your purchase our products sincerely, please reading the manual book before operation, the book introduce some points how to operate, maintenance, and safe. Please keep it carefully for reading in the further; you will be not informed if the file has been revised. Please set sample as standard.

目录 INDICE

■ 在使用之前		
BEFORE OPERATING		PAGE
○ 供油		
Lubrication		2
○ 手动给油		
Manual lubrication		3
○ 给HR装置供油		
Filling the HR device with silicon oil		4
○ 穿线的方法		
Threading		5
○ 穿线图 (2针, 3针, 4针 用)		
Threading diagram (2, 3, 4 needles)		6
■ 试缝		
TEST SEWING		
○ 压脚压力的调节		
Presser foot pressure		7
○ 差动比的调节		
Diff feed ratio		8
○ 针脚长度的调节		
Stitch length		9
○ 线状态的调节		
Threading tension		10
■ 使用中的保养		
MAINTENANCE DURING USE		
○ 缝纫机的清扫		
Cleaning the machine		11
○ 换针		
Replacing the needle		12
○ 检查机油的循环		
Checking the oil circulation		13
○ 油过滤器的检点与更换		
Checking and replacing the oil filter		14
○ 换机油		
Replacing the oil		15
○ 调整标准参数表		
Standard adjust table		16
○ 标准度量零件表		
Spare Parts Table for Standard Measurement		17- 64



为了安全

对于缝纫机本身各种装置，我们充分考虑到它的安全性。请遵照基本的操作方法，安全的进行工作。

• 拆除为保证安全所设置的装置，零件的情况下使用，是非常危险的，请绝对不要拆除后使用。

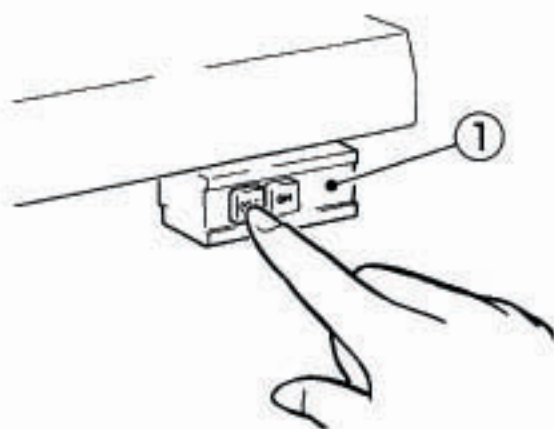
• 缝纫机在使用时，请不要在缝纫机台板上放置工具及缝纫时不必要的物品。

• 在对缝纫机进行检修、调节、清扫、穿线、换针等工作时，为防止发生事故，务必请切断电源，在确认即使踩下缝纫机踏板，缝纫机也不转动之后，再进行操作。

注意

使用离合式马达的情况下，在关掉电源①后因惯性作用会继续旋转。这时如不注意踩动缝纫机踏板②时，缝纫机会突然动作，这是很危险的。

请在关掉电源后，仍继续踩动踏板②，直至缝纫机完全停下来为止。



- 在离开缝纫机台时，务必请关掉电源。
- 停电时也请务必关掉电源。
- 为了总是安全地，运转良好的使用缝纫机，日常的点检是不可缺少的，请予以注意。



OBSERVE THESE SAFETY PRECAUTIONS

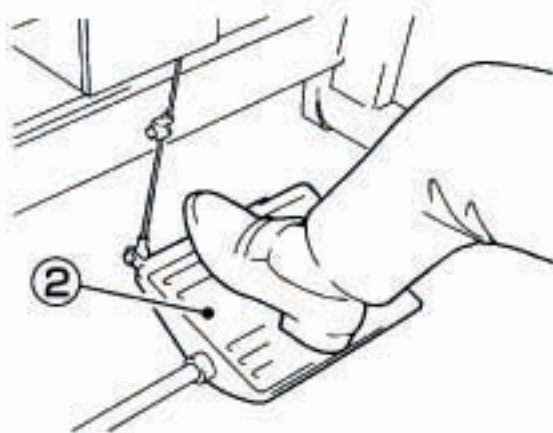
Though Sunshine takes the utmost care to produce safe sewing machines and devices, operators should follow these basic safety rules.

- To prevent accidents, do not remove safety devices or parts while operating the machine.
- Do not leave tools other unnecessary objects on the machine table while operating the machine.
- Before maintenance, adjusting, cleaning, threading or replacing the needle, and to prevent accidents, be sure the power is turned off. Check that the machine will not operate when the pedal is pressed.

Note

In case a crutch type motor is used, it will keep on rotation by inertia after turning off power supply①. If the machine pedal② is stepped on inadvertently, it is dangerous because the machine will move unexpectedly.

Keep on stepping on the pedal until the machine comes to a stop after turning off power supply.



- Turn the power off before leaving the machine table.
- In the event of a power failure, be sure to turn the machine off.
- Check that the machine is securely grounded.

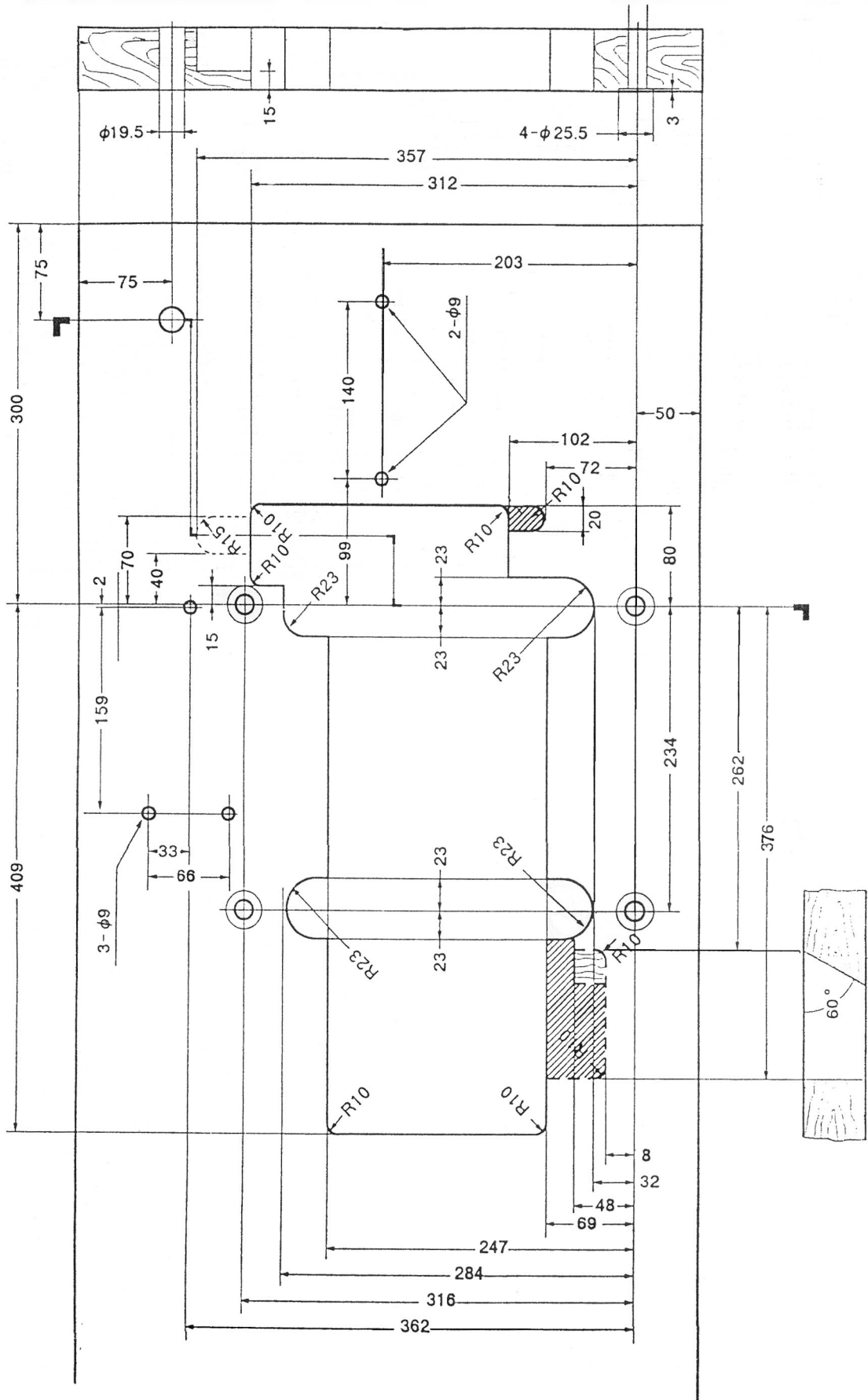
在使用之前
BEFORE OPERATING

台板加工图

Schematic diagram of the machine table

请参照下图进行台板的加工

Cut the table referring to the diagram

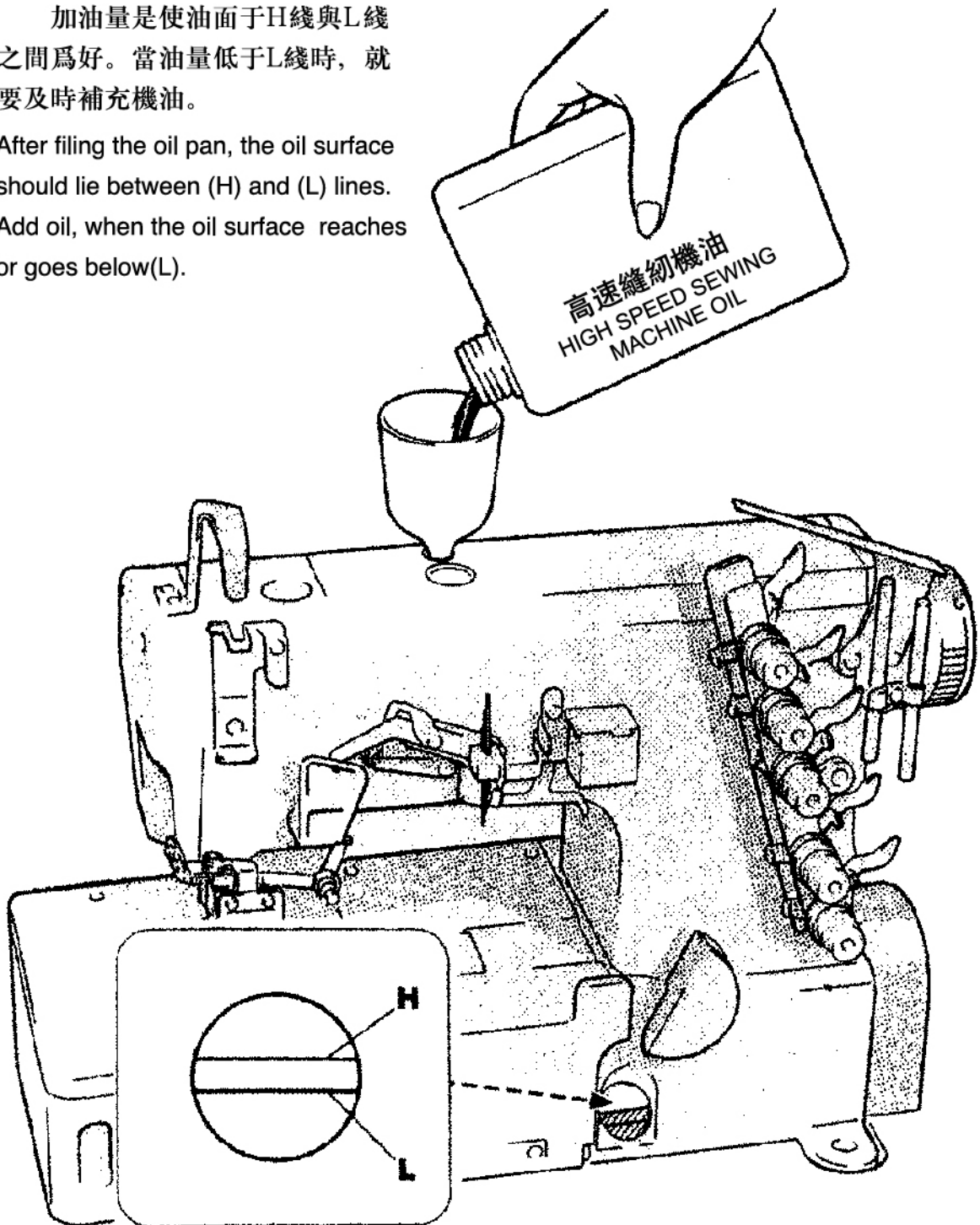


在使用之前
BEFORE
OPERATING

供 油 Lubrication

加油量是使油面于H綫與L綫之間為好。當油量低于L綫時，就要及時補充機油。

After filling the oil pan, the oil surface should lie between (H) and (L) lines. Add oil, when the oil surface reaches or goes below(L).

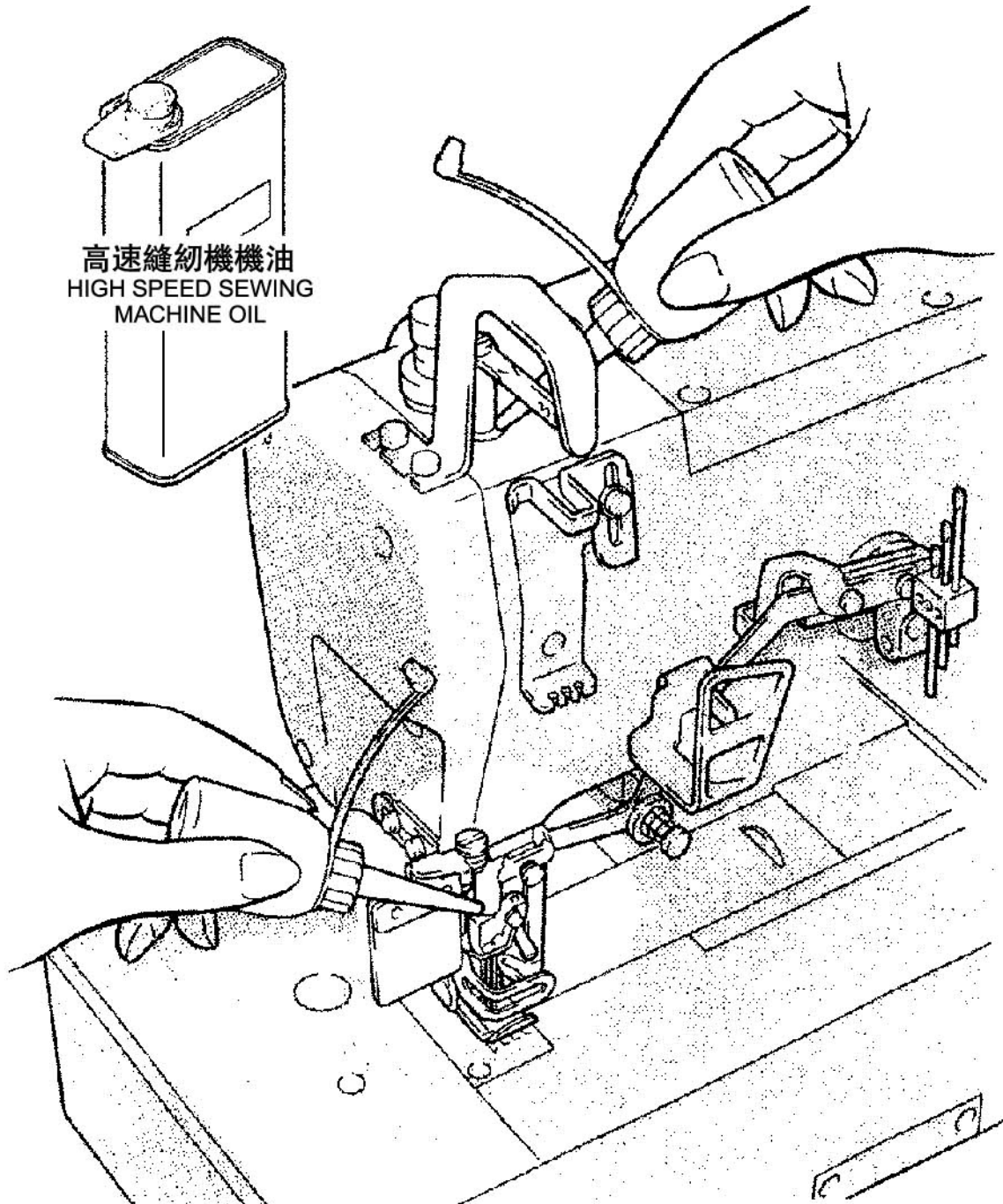


在使用之前
BEFORE
OPERATING

手動給油 Manual lubrication

手動給油是在縫紉機最初開始使用時，或相當一段時間沒使用了時，請供給2-3滴油。

Apply 2 or 3 drops of oil by hand when the machine is used for the first time or has been left unused for some time.

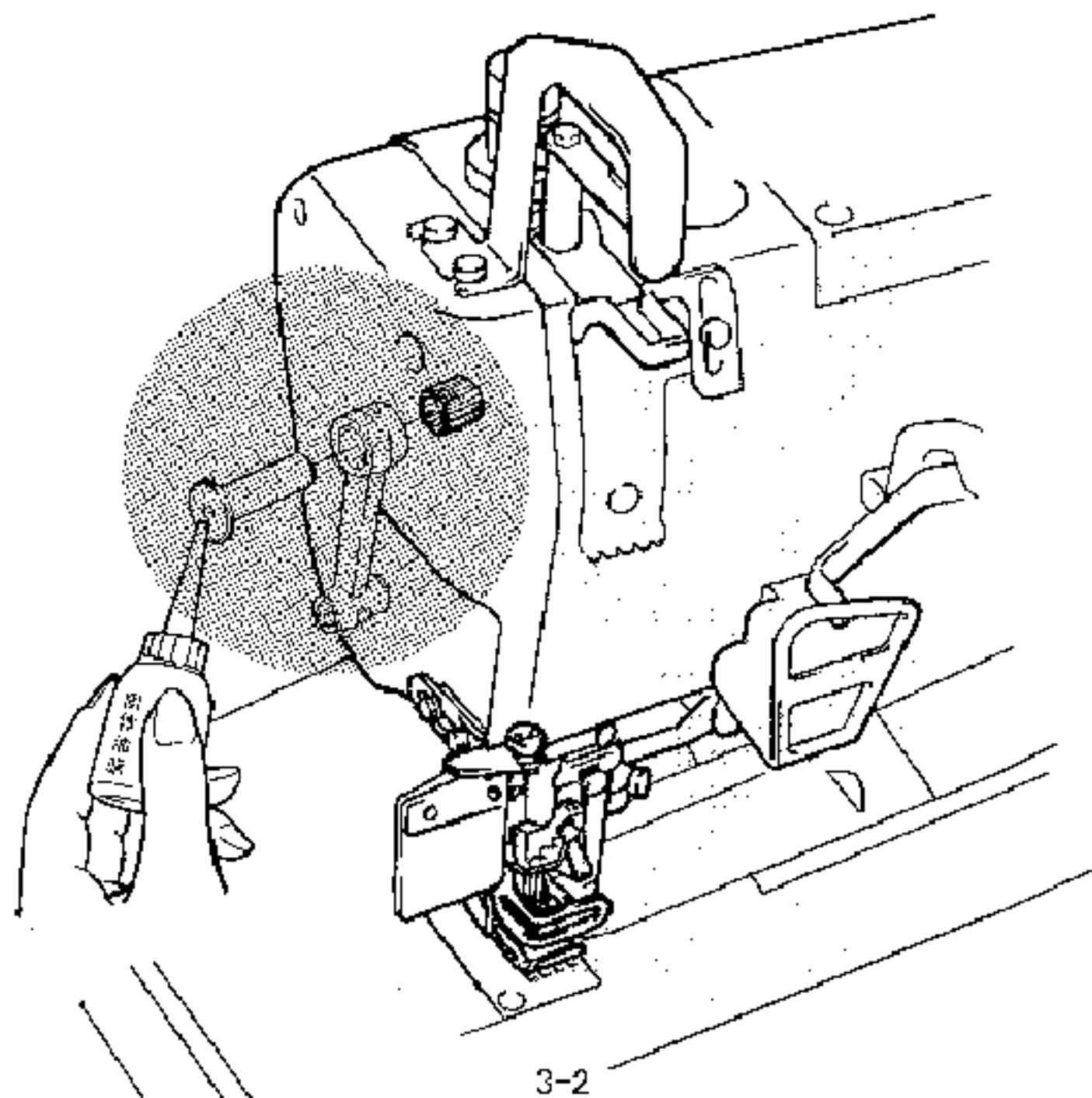


手动给油脂是在缝纫机最初开始使用时，
或使用一段时间后，需注入油脂。

机油请使用公司指定的 (HIGH SPEED
SEWING MACHINE GREASE)

The sewing machine should be lubricated with
grease manually before it is used for the first
time or after a period of break. Please add
grease.

Please use the HIGH SPEED SEWING
MACHINE GREASE specified by our
corporation.



在使用之前
BEFORE
OPERATING

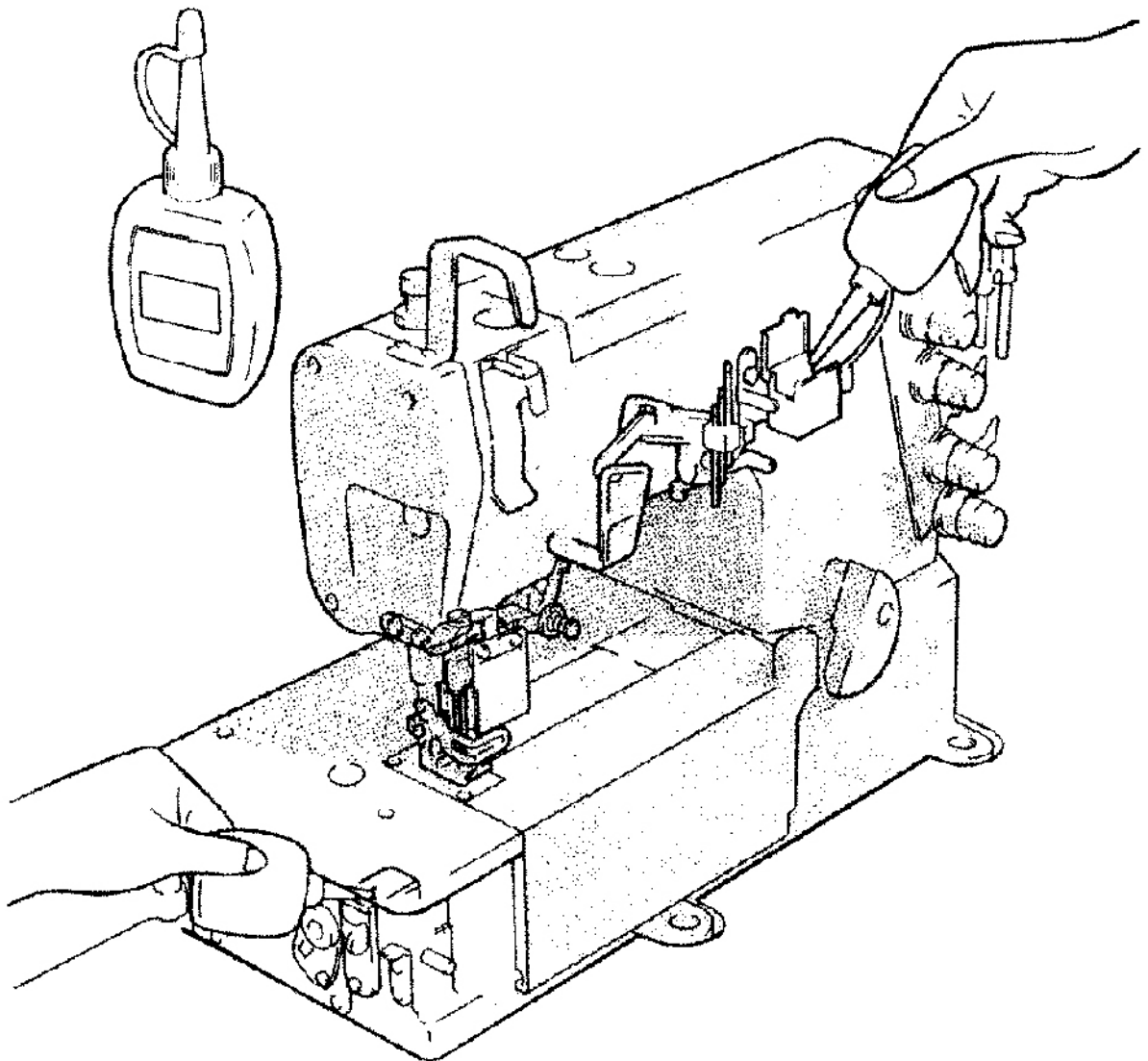
給HR裝置供油 Filling the HR device with silicon oil

爲了防止布纖維或綫被切斷，請盡早給HR裝置供油。

Fill the device with oil before it is too low in order to prevent needle thread breakage and fabric damage.

注：關於購買硅酯油，請詢問縫紉機代銷店或與本公司營業所聯系。

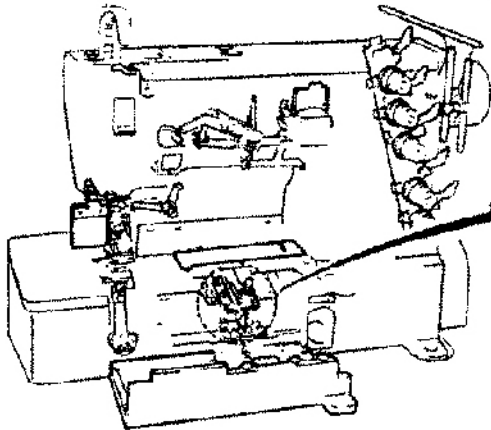
Note: Use our recommended silicon oil.
(UNION CARBIDE CORPORATION)
UCCL-45(350)



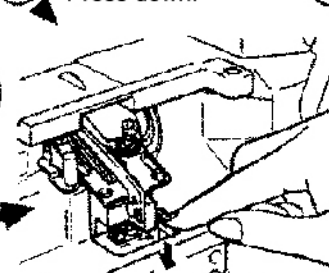
在使用之前
BEFORE
OPERATING

穿綫的方法 Threading

① 請掀起護眼板，打開機蓋（3處）。
Open the eye guard and three covers.

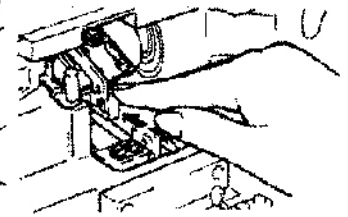


② 摁壓。
Press down.



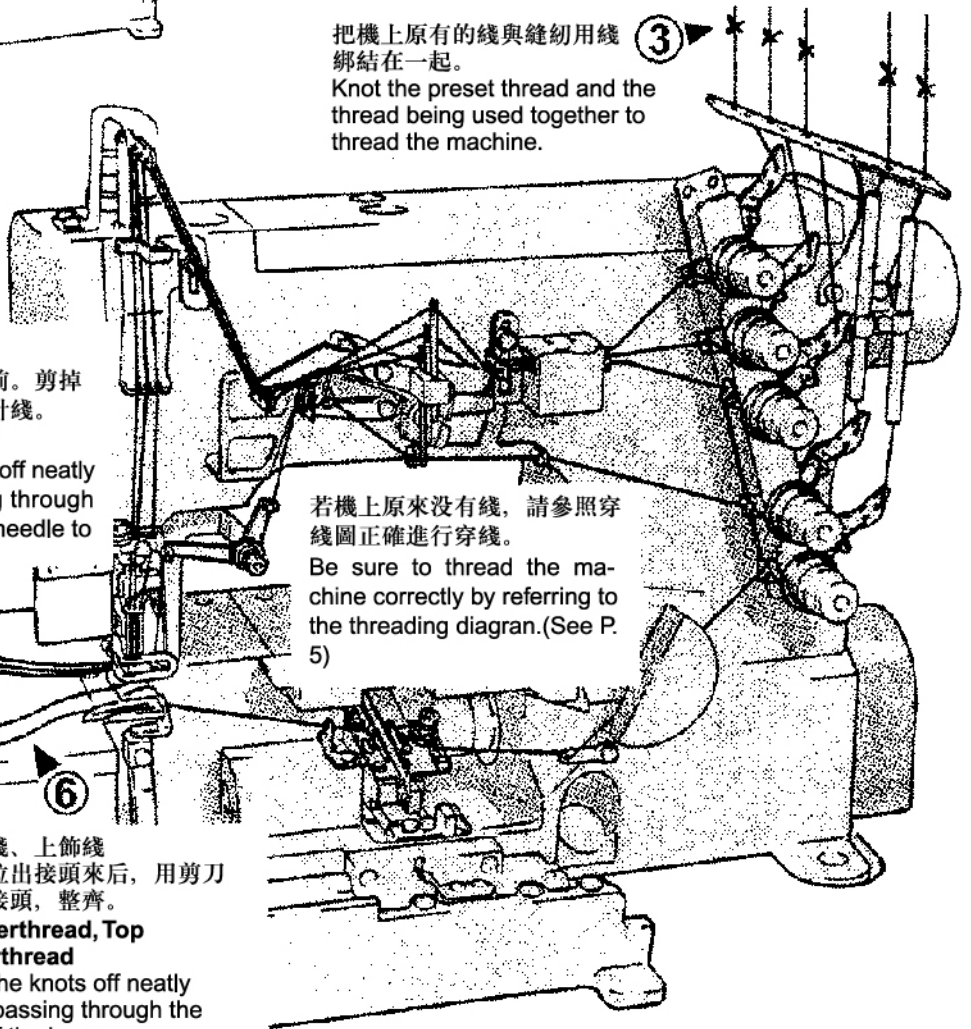
彎針挑綫器跳出到手前來。
The looper thread take-up comes out.

④ 穿好綫后将彎針挑綫器推回原位。
Replace the looper thread take-up after threading.



把機上原有的綫與縫紉用綫
綁結在一起。
Knot the preset thread and the
thread being used together to
thread the machine.

③

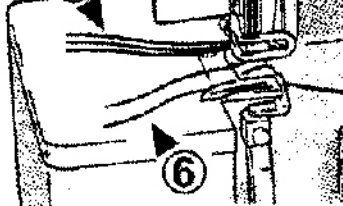


針綫
將綫拉到針跟前。剪掉
結頭再次穿好針綫。

Needle thread

Trim the knots off neatly
before passing through
the eye of the needle to
tethread.

⑤



穿針綫、上飾綫
直到拉出接頭來后，用剪刀
剪掉接頭，整齊。

**Looperthread, Top
coverthread**

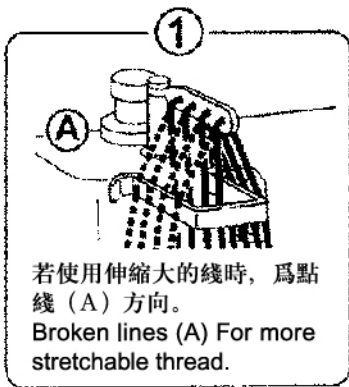
Trim the knots off neatly
after passing through the
eye of the looper

⑥

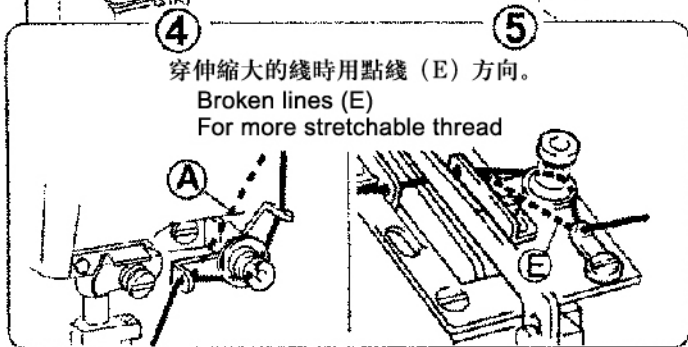
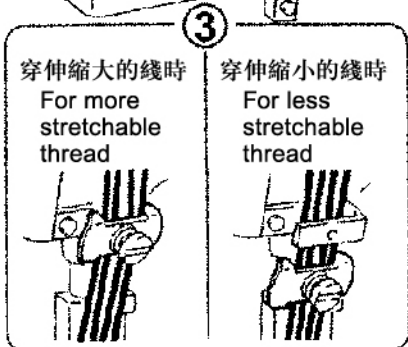
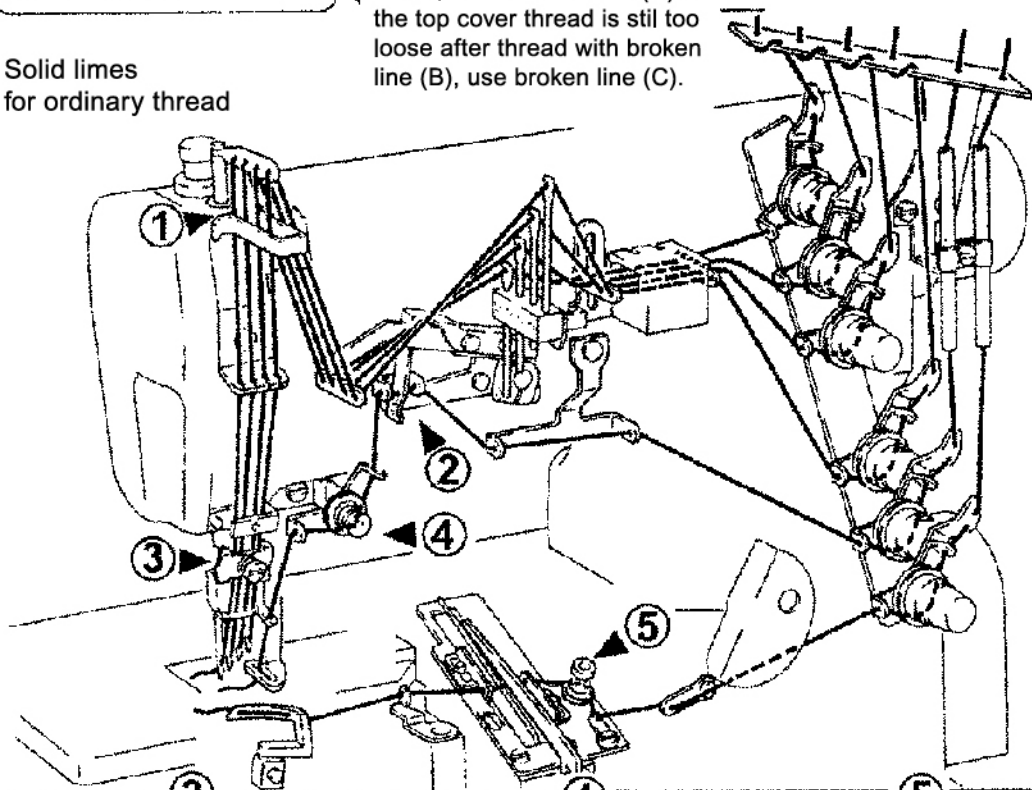
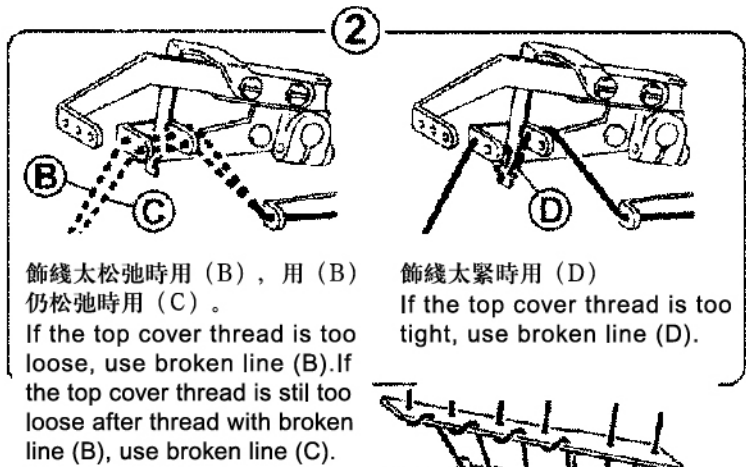
若機上原來沒有綫，請參照穿
綫圖正確進行穿綫。
Be sure to thread the ma-
chine correctly by referring to
the threading diagram. (See P.
5)

在使用之前
BEFORE
OPERATING

穿綫圖(2針、3針、4針) Threading diagram (2.3.-needle)



Solid lines
for ordinary thread

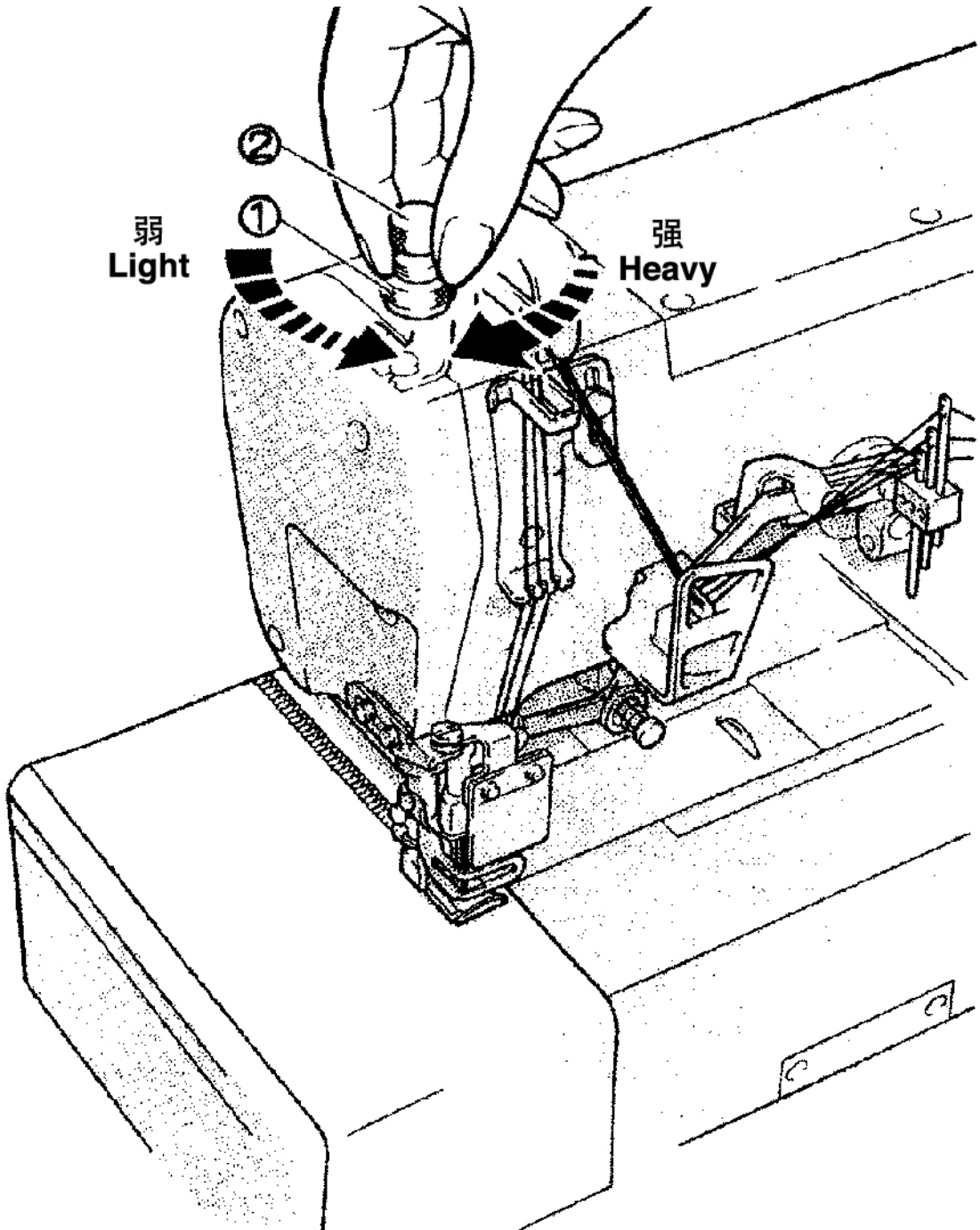


試 縫
TEST SEWING

壓脚壓力的調節 Presser foot pressure

壓脚壓力的調節是松開螺帽①和旋轉螺絲②來進行的。在能取得平穩針脚的範圍內，盡量調得松一些為好。

Loosen adjusting (1) nut and turn adjusting screw (2) to adjust the presser foot pressure. It should be as light as possible, yet be sufficient to obtain the proper stitch formation.

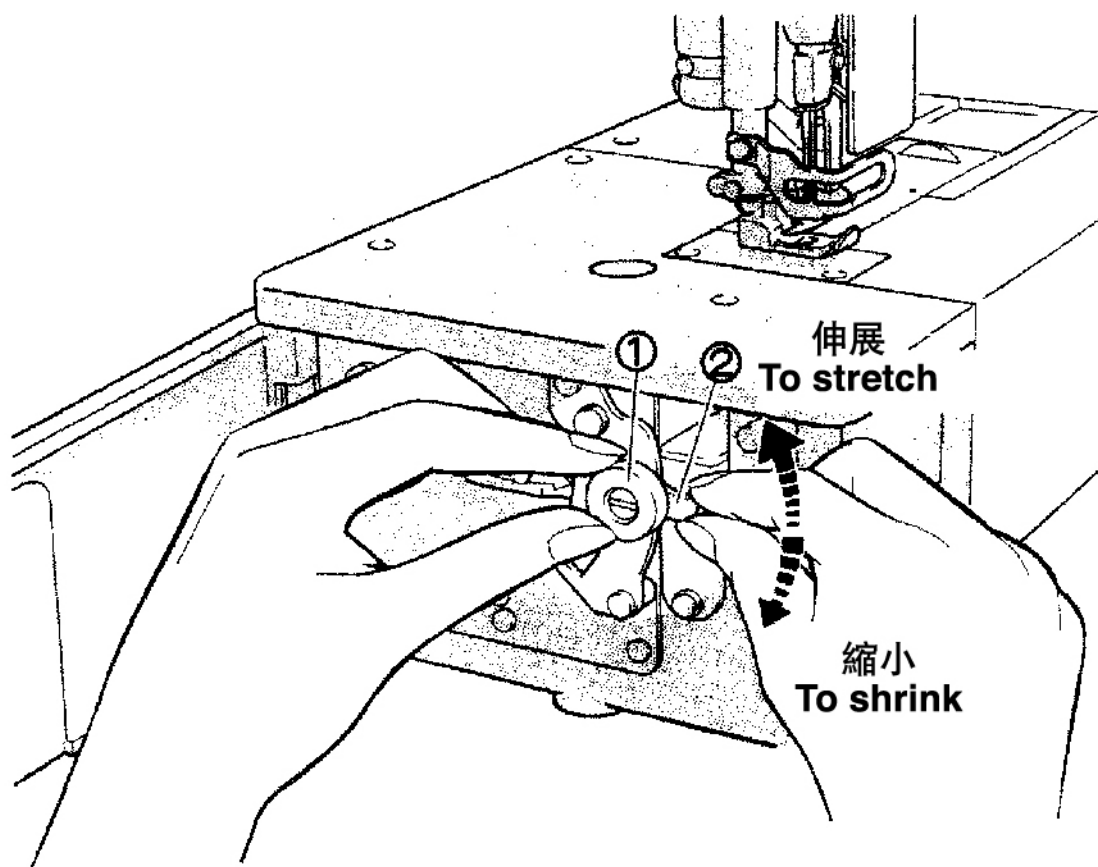


試 縫
TEST SEWING

差動比的調節 Diff. feed ratio adjustment

差動比是通過松開螺帽①后，把調節杆②
上下移動來進行調節的，調節后請擰緊螺帽①。

Loosen nut (1) and move the lever up (2) and
down to obtain the correct differential feed ratio,
then tighten nut (1).



試 縫
TEST SEWING

針腳長度的調節

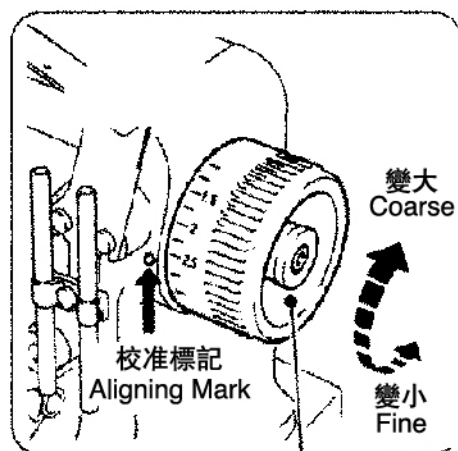
Stitch length adjustment

- ① 摠住針距調節按鈕，旋轉手輪，針距調節按鈕會陷進更深處。
- ② 這時邊摠住針距調節按鈕，邊轉動手輪，使校准標記對准所希望的數值。

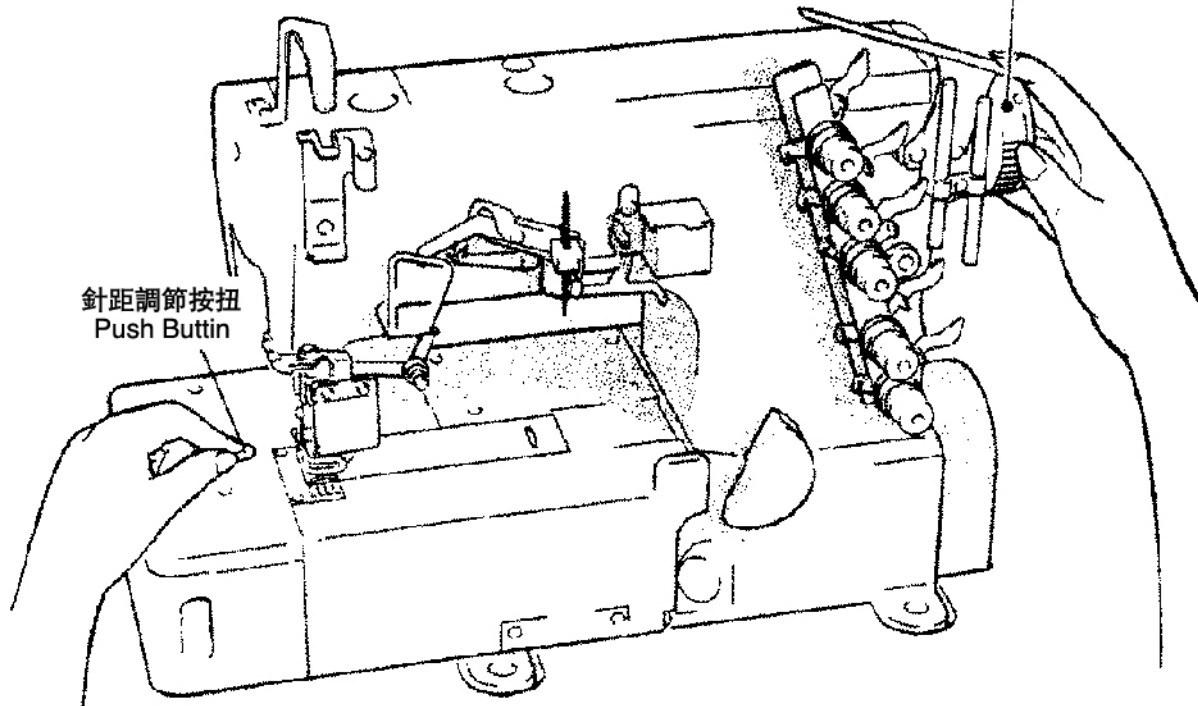
注：針腳長度的調節務必請在調節差動比之后進行。

While pressing the push button, turn the handwheel to seek the position at which the push button goes further into the depth. Then, keeping the push button pressed, turn the handwheel and set the desired scale to the aligning mark.

Note: Stitch length adjustment must only be made after the differential feed ratio has been changed.



手輪
Handwheel



針距調節按鈕
Push Button

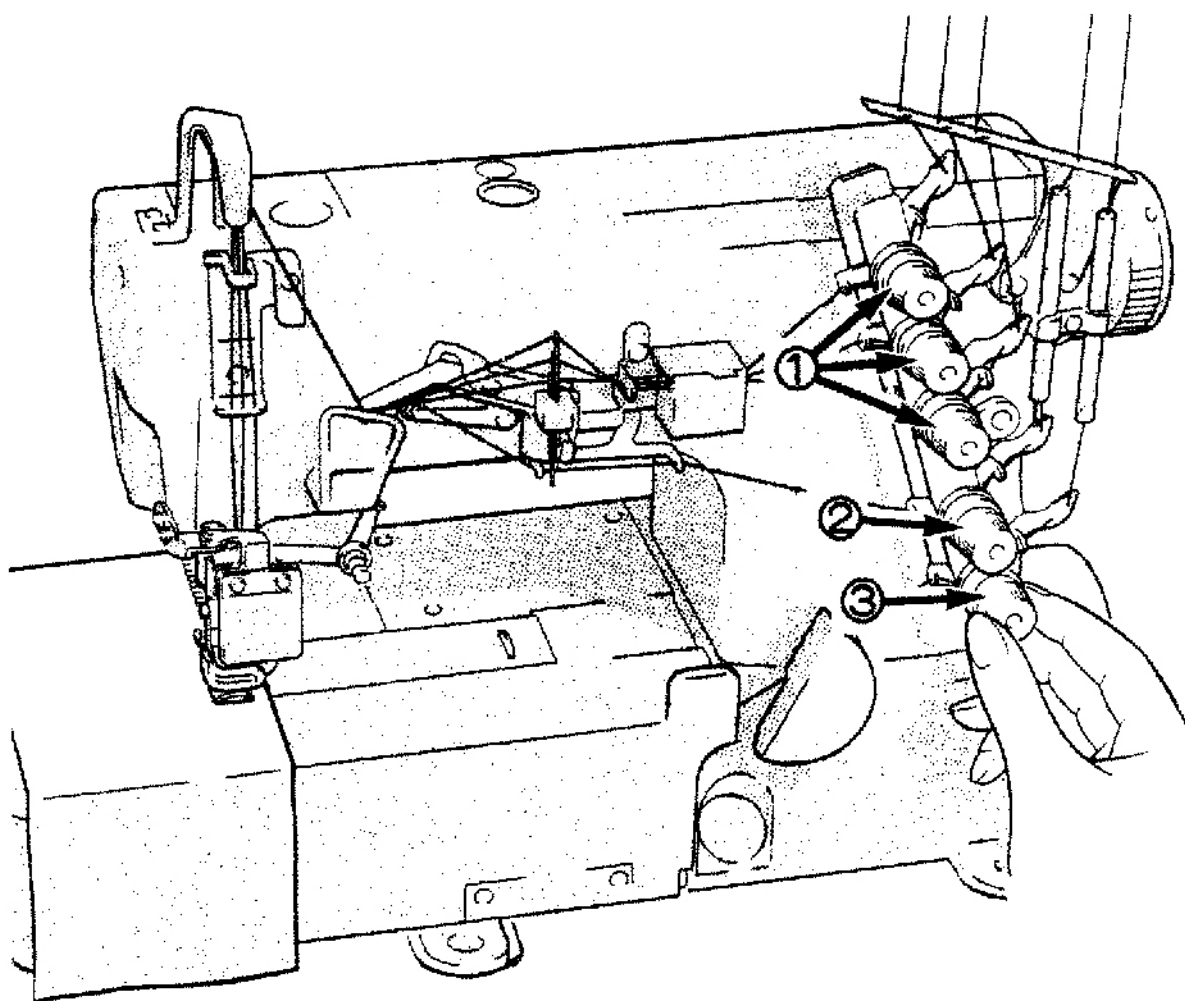
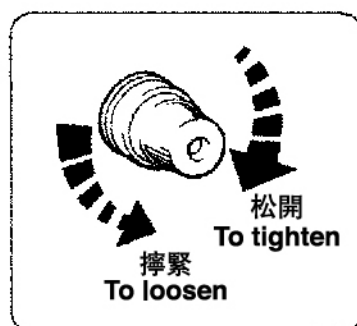
試 縫
TEST SEWING

綫狀態的調節

Thread tension

綫張力狀態的調節，請用針綫狀態螺帽
①、上彎針狀態螺帽②、彎針綫狀態調節螺帽③來進行調節。

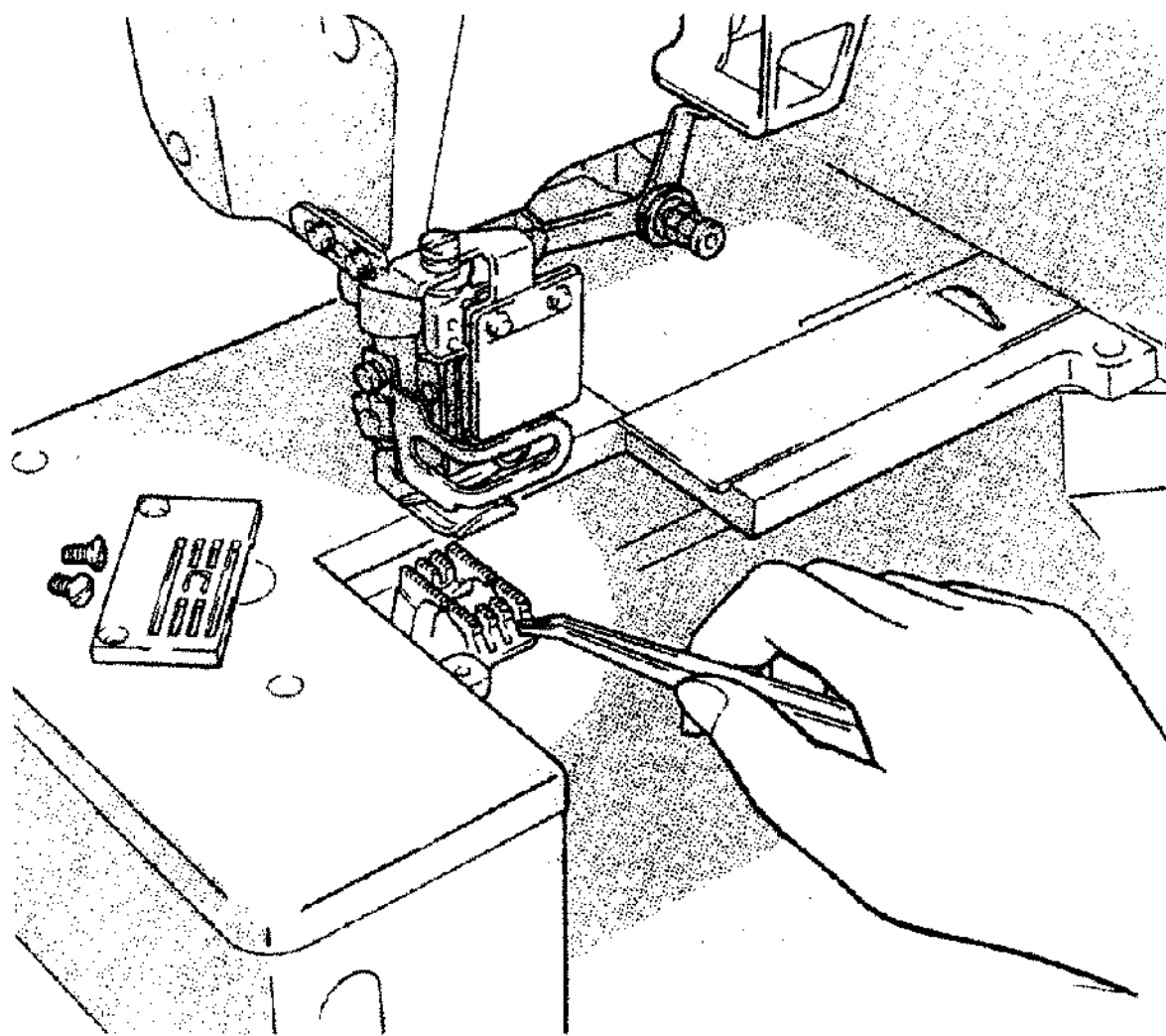
Mack tension adjustments with the needle thread knob (1), top cover thread knob (2), and looper thread knob (3).



使用中的保養
MAINTENANCE
DURING USE

縫紉機的清掃 Cleaning the machine

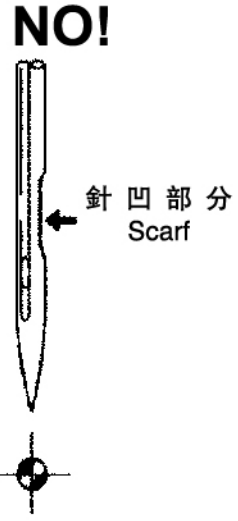
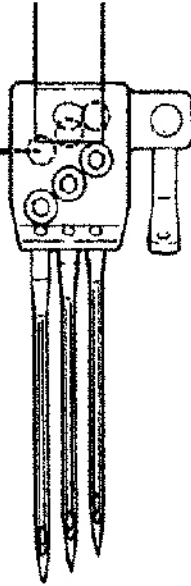
縫紉機的清掃，以針板槽及送布牙周圍為主。
Mainly the slots of the needle plate and the feed rows should be cleaned.



使用中的保養
**MAINTENANCE
 DURING USE**

換 針

Replacing the needle

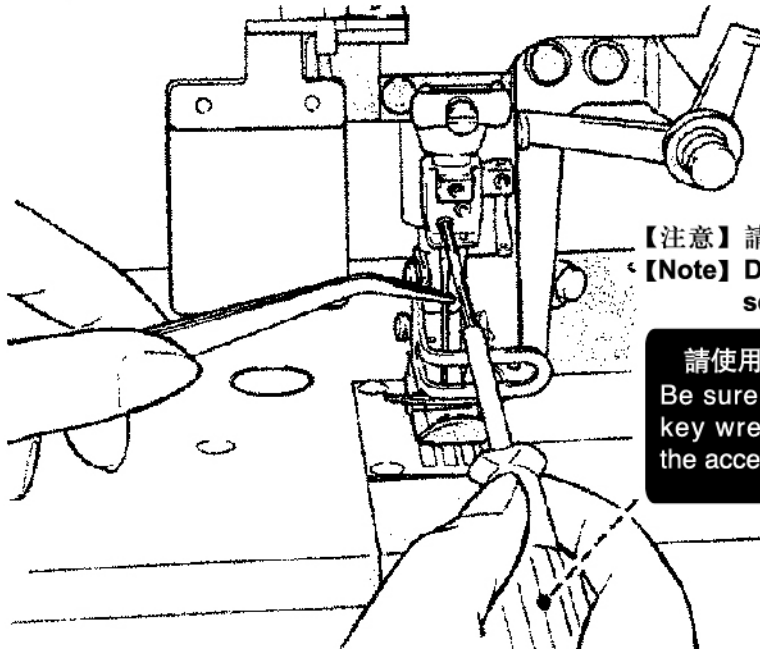


準確辨認針的前後，請將針凹向着后方，即背向操作者進行安裝。
 針要牢固的插到孔的最裏頭。

- *Check the needle carefully to see that the scarf is turned to the rear of the machine.
- *Insert the needle to the proper depth, and fasten securely.

標準用針
 Standard needle

		針的尺寸 NEEDLE SIZE	
		2 針 2-needle	3 針 3-needle
風琴牌 Organ	UY128GAS UY128GAS	# 9	# 10
藍獅牌 Schmetz	UY128GAS UY128GAS		

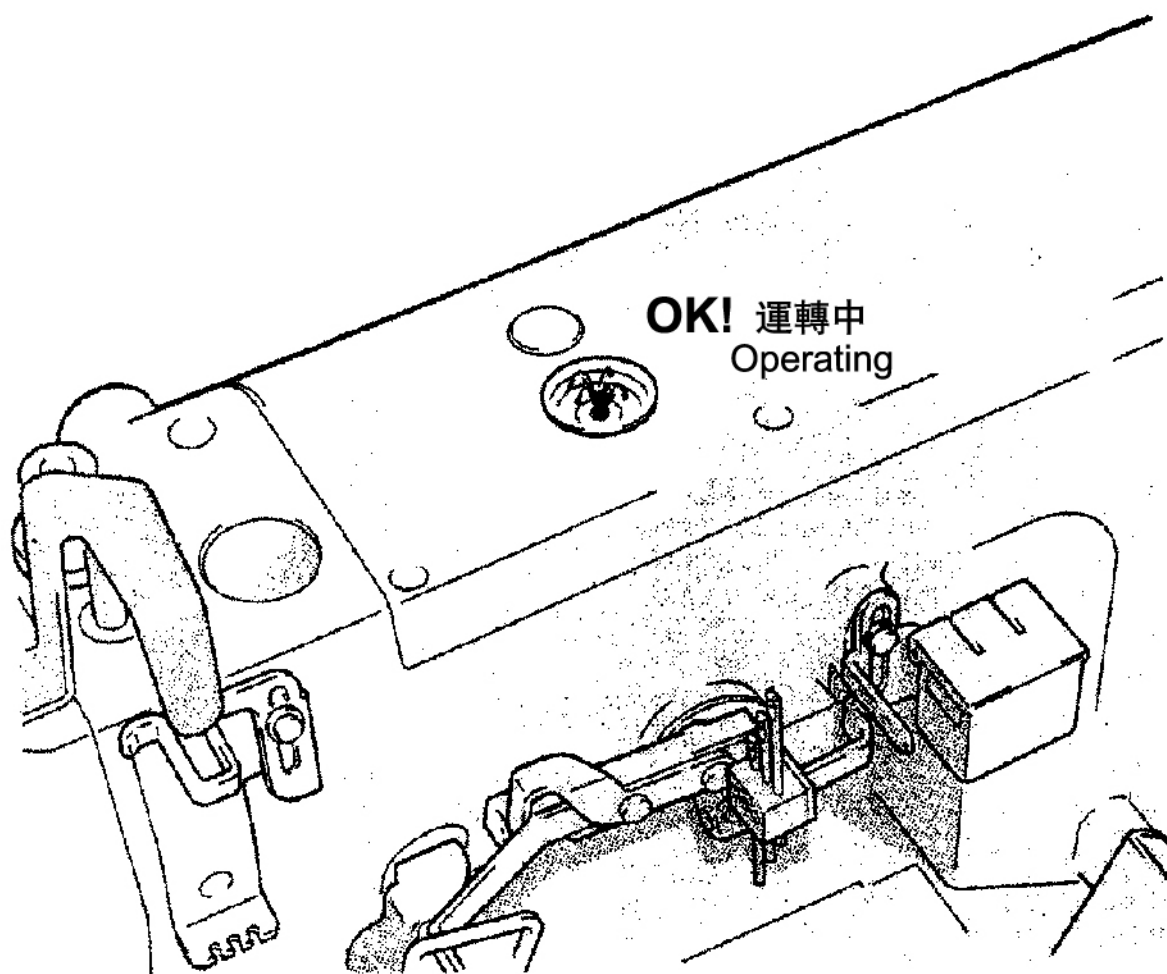


【注意】請不要把螺絲卸下來。
 【Note】Do not remove the screw.

請使用附屬品的螺絲板
 Be sure to use the allen key wrench packaged in the accessory box.

使用中的保養
MAINTENANCE
DURING USE

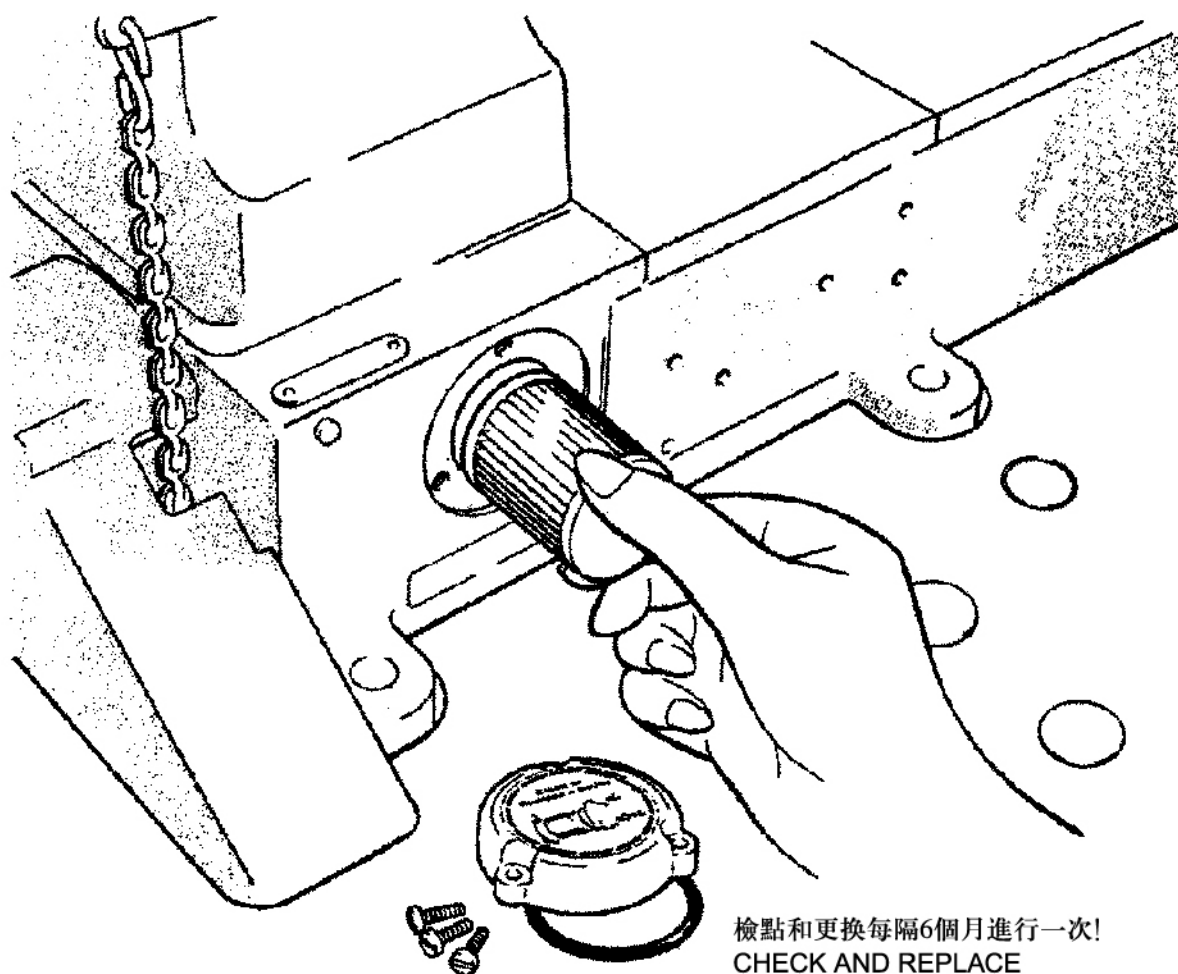
檢查機油的循環 Checking the oil circulation



使用中的保養
MAINTENANCE
DURING USE

油過濾器的檢點與更換 Checking and replacing the oil filter

機油過濾器，請于每6個月拆下來檢點或更換一次。
Check and replace the oil filter every six months.



檢點和更換每隔6個月進行一次!
CHECK AND REPLACE
EVERY 6 MONTHS!

注：縫紉機附帶有UT裝置時，請拆下螺絲管托架。

NOTE: On machines fit with a UT Device, remove the solenoid bracket.

使用中的保養
MAINTENANCE
DURING USE

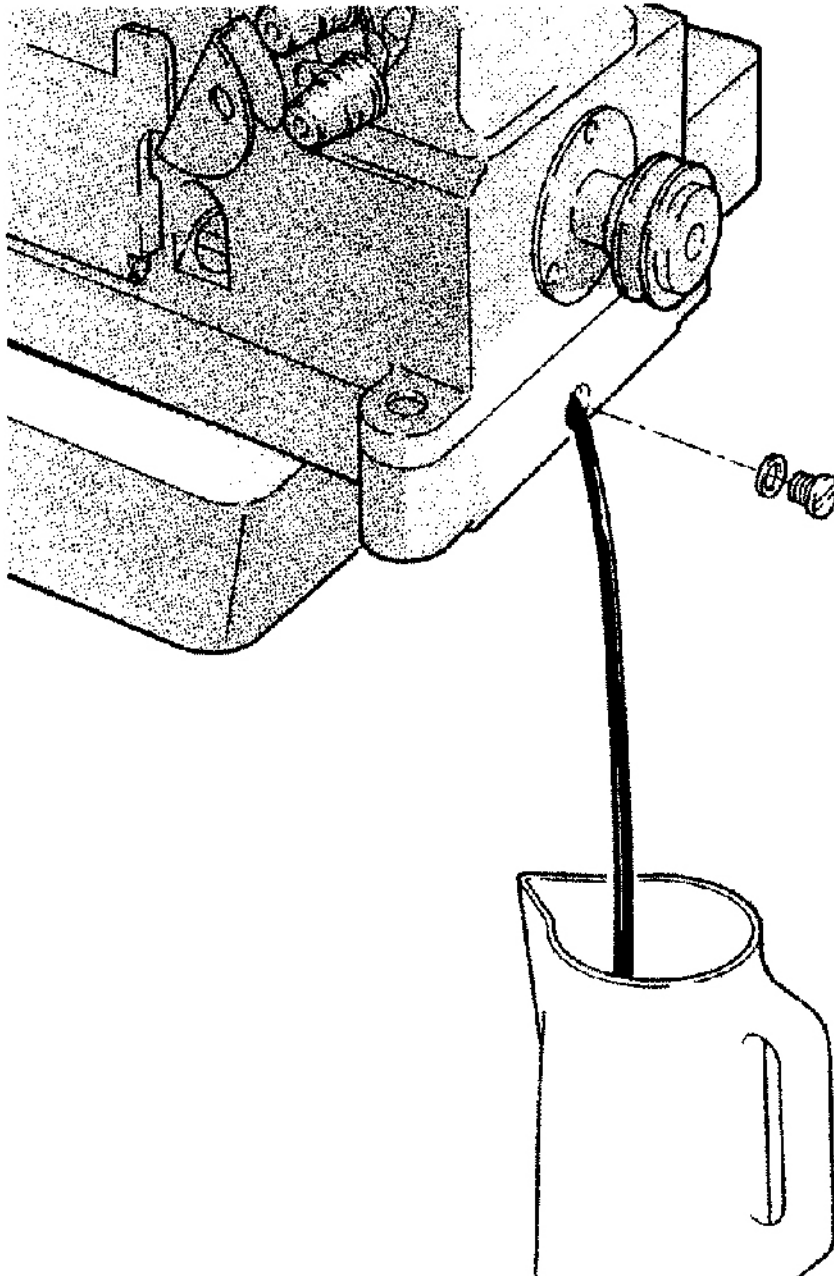
換機油

Replacing the oil

機油的更換，請在使用開始1個月后更換一次。
然后，每6個月更換一次。

Replace the oil one month after the first use
and every six months thereafter.

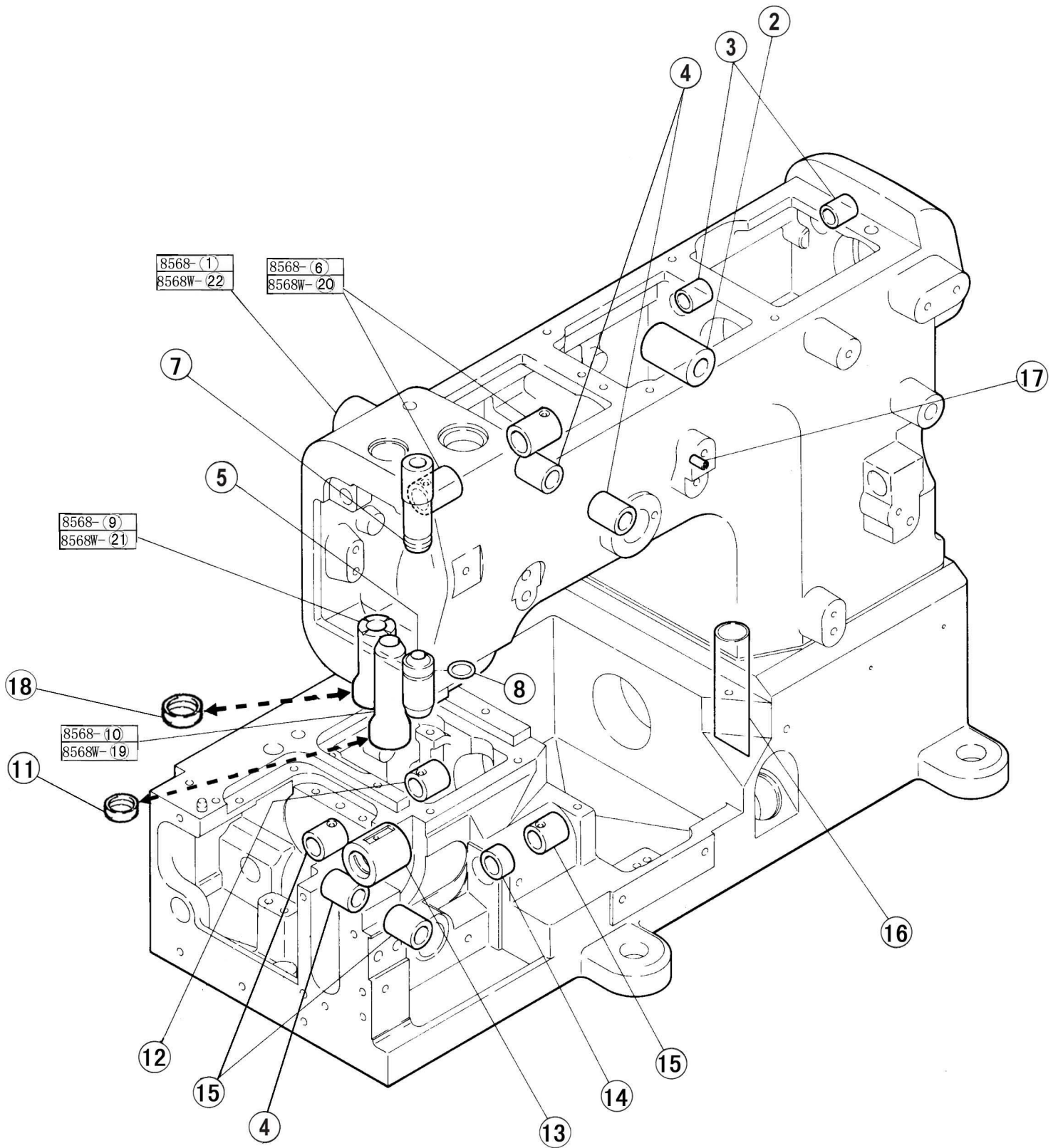
供油請參見第1頁 (See P.1)



8568 調整標準參數表


8568 Adjustment Dimensions (mm)

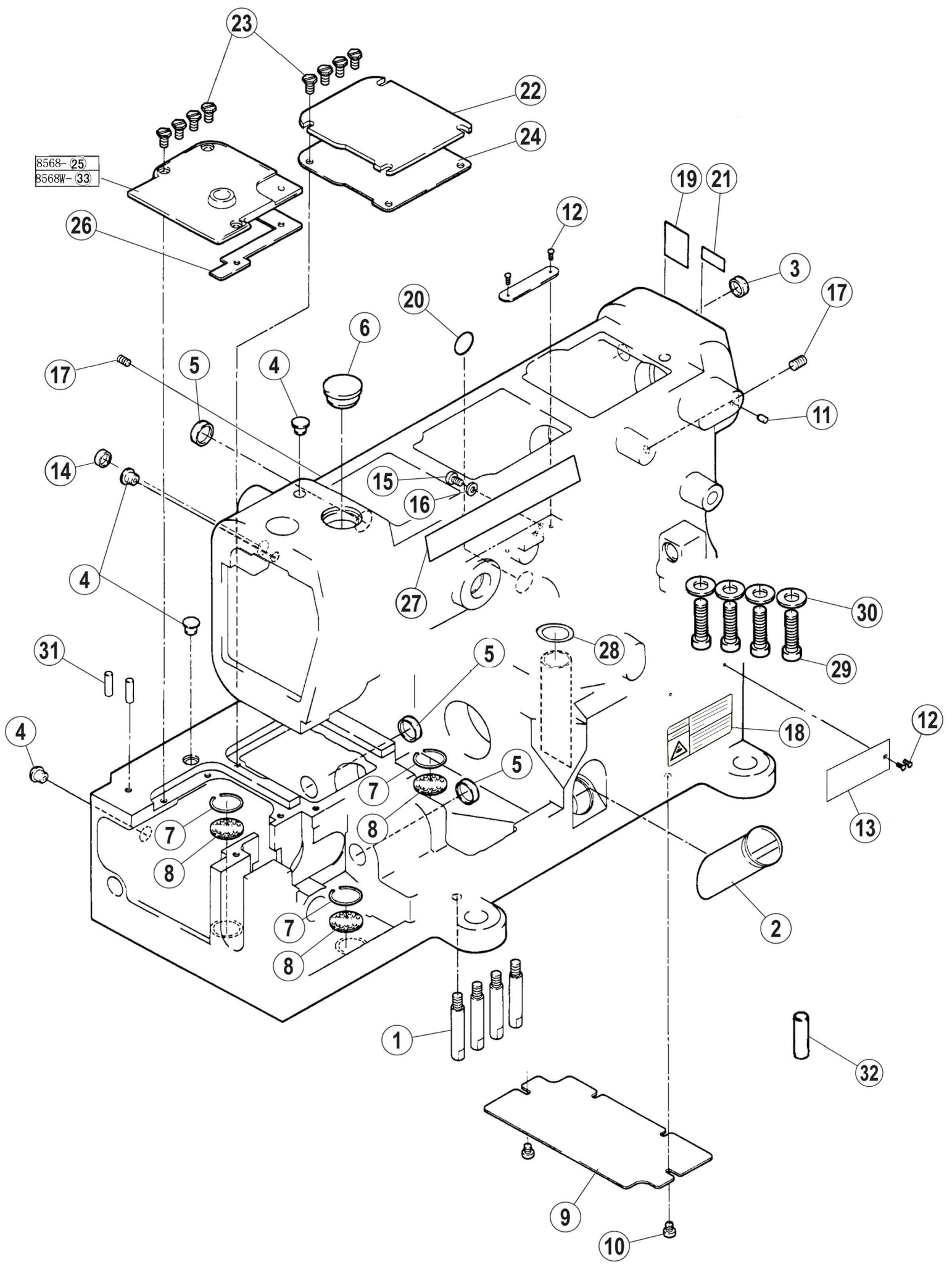
8568-01CB	224	10.2	4.8~5.1	8.3~8.7	4.5~5.0	17.0	0.8~1.2		
8568-02BB	232	9.8	4.4~4.7	8.3~8.7	4.5~5.0	17.0	0.8~1.2		
8568-03EB	248	8.9	3.6~3.9	8.3~8.7	4.5~5.0	17.0	0.8~1.2		
8568-04DB	256	8.5	3.2~3.5	8.3~8.7	4.5~5.0	17.0	0.8~1.2		
8568-05MD	264	8.1	2.8~3.1	8.3~8.7	4.5~5.0	17.0	0.8~1.2		
8568-06HD	348	9.4	3.6~3.9	8.3~8.7	4.5~5.0	17.0	0.8~1.2		
8568-07FD	356	8.5	8.3~8.7	8.3~8.7	4.5~5.0	17.0	0.8~1.2		
8568-08AB	364	8.1	2.8~3.1	8.3~8.7	4.5~5.0	17.0	0.8~1.2		



套筒部件 Bushing Assembly

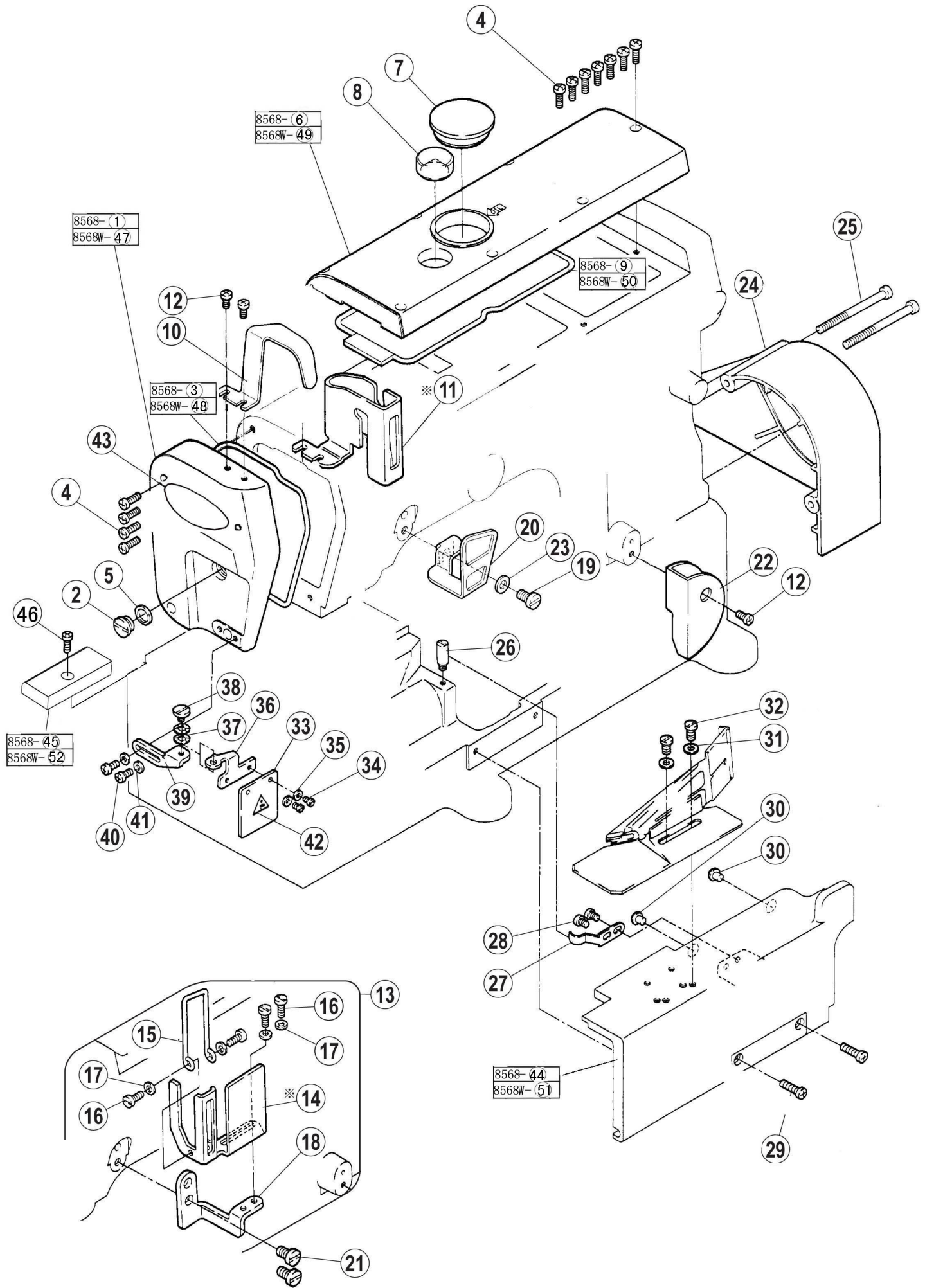
序号 Ref. No.	件号 Part NO.	参考件号 Ref. Part. No.	名称	Description	数量 Amt.
1	30101003	250215-2	上节	machine frame	1
2	30103036		压脚扳手轴套筒	bushing	1
3	30103037		抬压轴套筒	bushing	2
4	30103042	210297	过线座轴套筒	bushing	3
5	30103018		针杆下套筒	bushing	1
6	30103039	250141	摆动连杆轴套筒	bushing	2
7	30103017		针杆上套筒	bushing	1
8	001039		0型圈	0 ring	1
9	30103038		喂针摆动轴套筒	bushing	1
10	30103035		压脚轴套筒	bushing	1
11	30122039		油封	plug	1
12	30103021	250135	弯针轴前套筒	bushing	1
13	30103010		主轴套筒	bushing	1
14	30103019		护针轴前套筒	bushing	1
15	20103014		护针轴后套筒	bushing	3
16	30121001	255020	铜油管	pipe	1
17	P03005		销 4×8	pin	1
18	20622019	210586	油封	plug	1
19	30103077		压脚轴套筒	bushing	1
20	30103079		摆动连杆轴套筒	bushing	2
21	30103078		喂针摆动轴套筒	bushing	1
22	300441		上节	machine frame	1

注：  点划线框表示暂时不用或已改进的零部件。



一、车壳部件 Frame Assembly

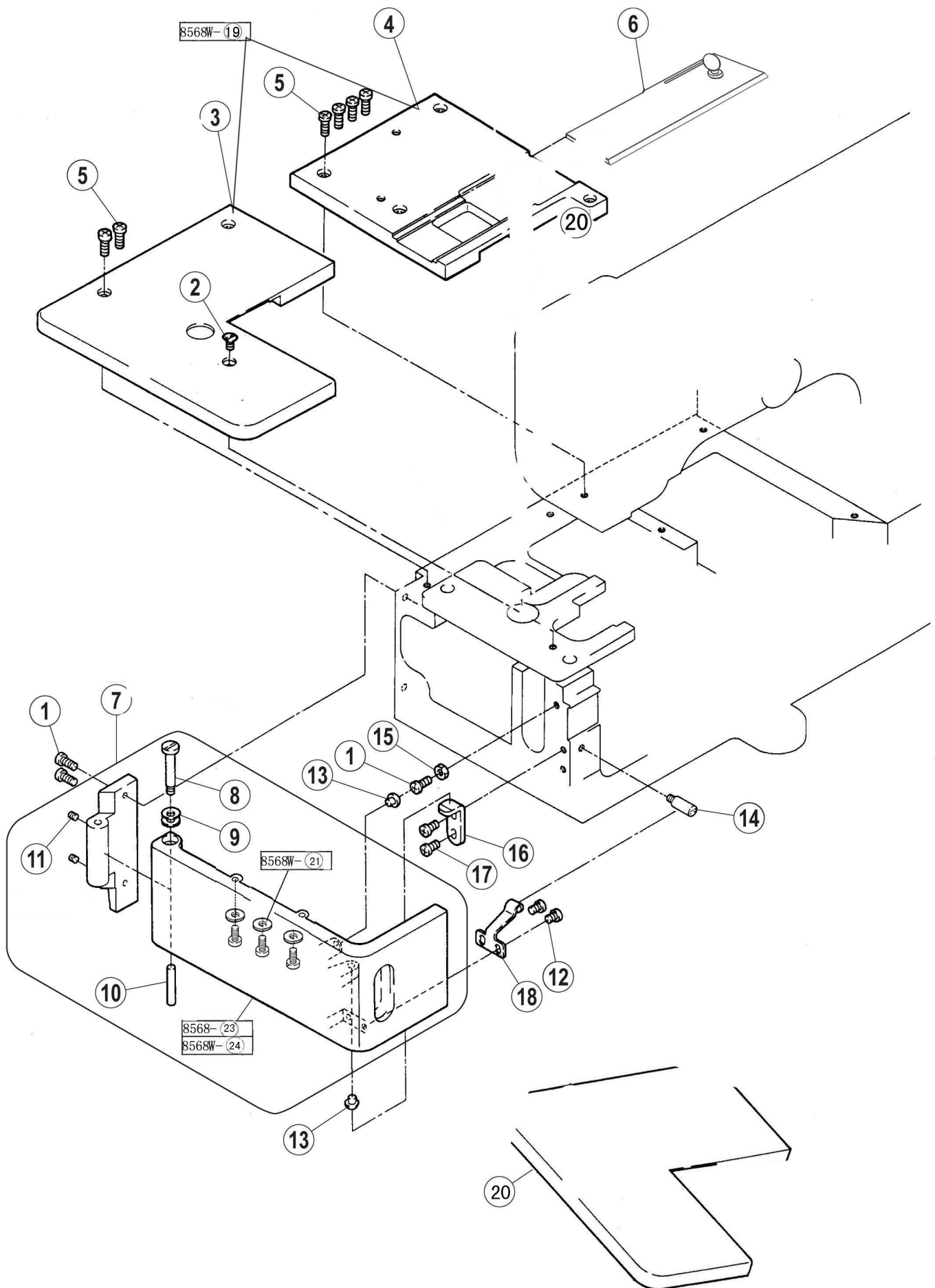
序号 Ref.No.	件号 Part NO.	参考件号 Ref.Part.No.	名称	Description	数量 Amt.
1	301S30001	250117	机壳螺钉	shoulder pin	4
2	30111001	206590	油标	oil level gauge	1
3	30122004	240228	油封	plug	1
4	30122006	240052	油堵	plug	4
5	30122008	208173	油封	plug	3
6	30122005	240110	油封	plug	1
7	H01001	240001	挡圈 18	ring	3
8	30112001	255002	滤油网	filter	3
9	30112002	250049	盖板	cover	1
10	S01002	7017	螺钉 M4×6.5	screw	2
11	30122010	240127	油堵	mark	1
12	R03001	210679	铆钉 2.5×4	pin	4
13	30137001	250233	机型牌	sticker	1
14	30122007	205088	油封	plug	1
15	S01004	7019	螺钉 M4×7.8	screw	1
16	W01001	303448	垫圈 4	washer	1
17	S12004	4556	螺钉 M6×10	screw	2
18	20131063		警示牌	sticker	1
19	30137003		标牌	sticker	1
20	30122036		密封圈	sticker	1
21	30137004		警示牌	sticker	1
22	30101005	250003	下节右盖	top cover (right)	1
23	L02001	7084	螺栓 M4×8	screw	8
24	30122003	250004	下节右盖垫	gasket	1
25	30101004	250069	下节左盖	top cover plate (left)	1
26	30122002	250020	下节左盖垫	gasket	1
27	30131003	250215-2	商标牌	name plate	1
28	001001		O型圈 15×2.65	o ring	1
29	S05001		螺钉 M10×27.5	screw	4
30	W02003		垫圈 10	washer	4
31	P01001		销	pin	2
32	P02001		销	pin	1
33	30101068		下节左盖		1



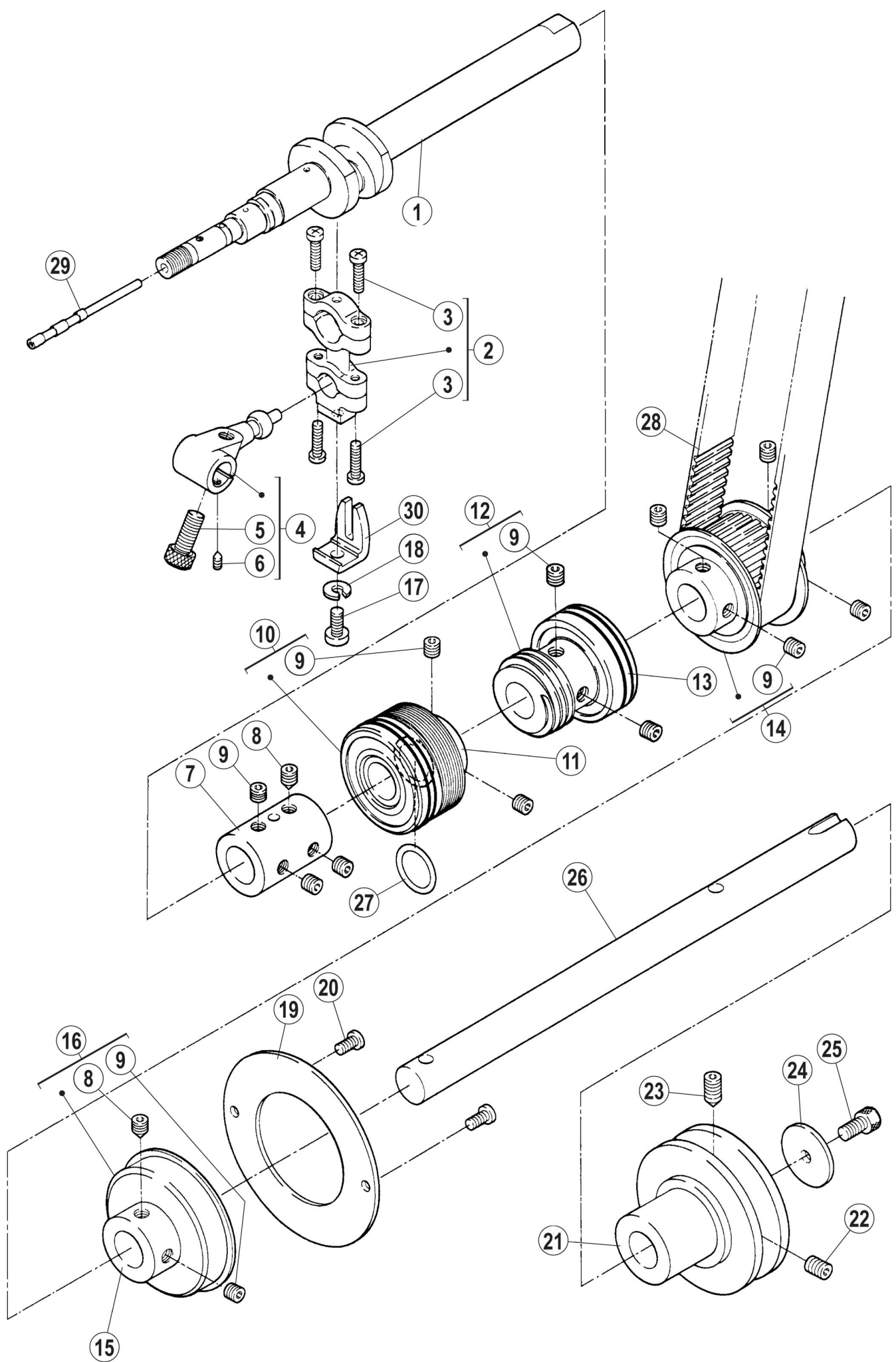
二、罩壳部件 Cover assemblies

序号 Ref.No.	件号 Part NO.	参考件号 Ref.Part.No.	名称	Description	数量 Amt.
1	300134	250016-AUD	机头左盖(喷漆)	arm cover (left)	1
2	301S11001	5242	机头左盖螺钉	screw	1
3	30122014	250017	机头左盖垫	o ring	1
4	S01003	7021	螺钉 M4×12	screw	11
5	30128001	240263	垫圈	washer	1
6	300133	250149	上盖(喷漆)	arm cover (top)	1
7	30122012	240226	密封盖	plug	1
8	20711002	179107-05	油标盖	oil sight window	1
9	30122013	250019	上盖垫	o ring	1
10	30112003	250021-UD	针杆护罩	needle bar cover	1
11	30112082		针杆护罩	needle bar cover	1
12	S01004	7019	螺钉 M4×7.8	screw	3
13	3011208300		过线防护罩组件	thread take-up guard assy	1
14	30112083		过线防护罩	thread takeup guard	1
15	30112084		手指防护罩	finger guard	1
16	S01001		螺钉 M4×7	screw	3
17	W01001		垫圈 4	washer	3
18	30112085		托架	bracket	1
19	301S11002		护罩螺钉	screw	1
20	30112006	250023	过线护罩	threan takeup cover	1
21	301S11002	7052	护罩螺钉	screw	2
22	300135	250005	弯针护线板(喷漆)	looper thread guide cover	1
23	W01003	207924	垫圈 6	washer	1
24	30111004	250022	皮轮护罩	puller cover	1
25	301S11003	7075	带轮护罩螺钉	screw	2
26	301S30002	7089	左侧盖簧螺钉	screw	1
27	30127001	250051	前罩簧	flat spring	1
28	S01002	7017	螺钉 M4×6.5	screw	2
29	S01007	7023	螺钉 M4×13.5	screw	2
30	30122015	210025	前罩防振垫	cushon	2
31	W01004	204585	垫圈 5	washer	2
32	S01011	7024	螺钉 M5×10	screw	2
33	30111003	250257	有机玻璃罩	eye guard	1
34	S01006		螺钉 M3×4.5	screw	2
35	W01002	202875	垫圈 3	washer	2
36	30112005	250256	护罩架	bracket	1
37	W03001		垫圈 6	washer	2
38	301S20001	7066	护罩座固定螺钉	screw	1
39	30112004	250255	护罩座	bracket	1
40	S01004	7020	螺钉 M4×7.8	screw	2
41	W01001	303448	垫圈 4	washer	2
42	30137005		护罩警示牌	sticker	1
43	30337001		商标牌	sticker	1
44	300136	250011	前罩缝台(喷漆)	arm cover (top)	1
45	300657		上盖垫块(喷漆)	bracket	1
46	S01003	7021	螺钉 M4×12	screw	4

47	30101070		机头左盖		1
48	30122034		机头左盖垫	o ring	1
49	30101069		上盖		1
50	30122035		上盖垫	o ring	1
51	30101071		前罩缝台		1
52	30101075		上盖垫块	bracket	1

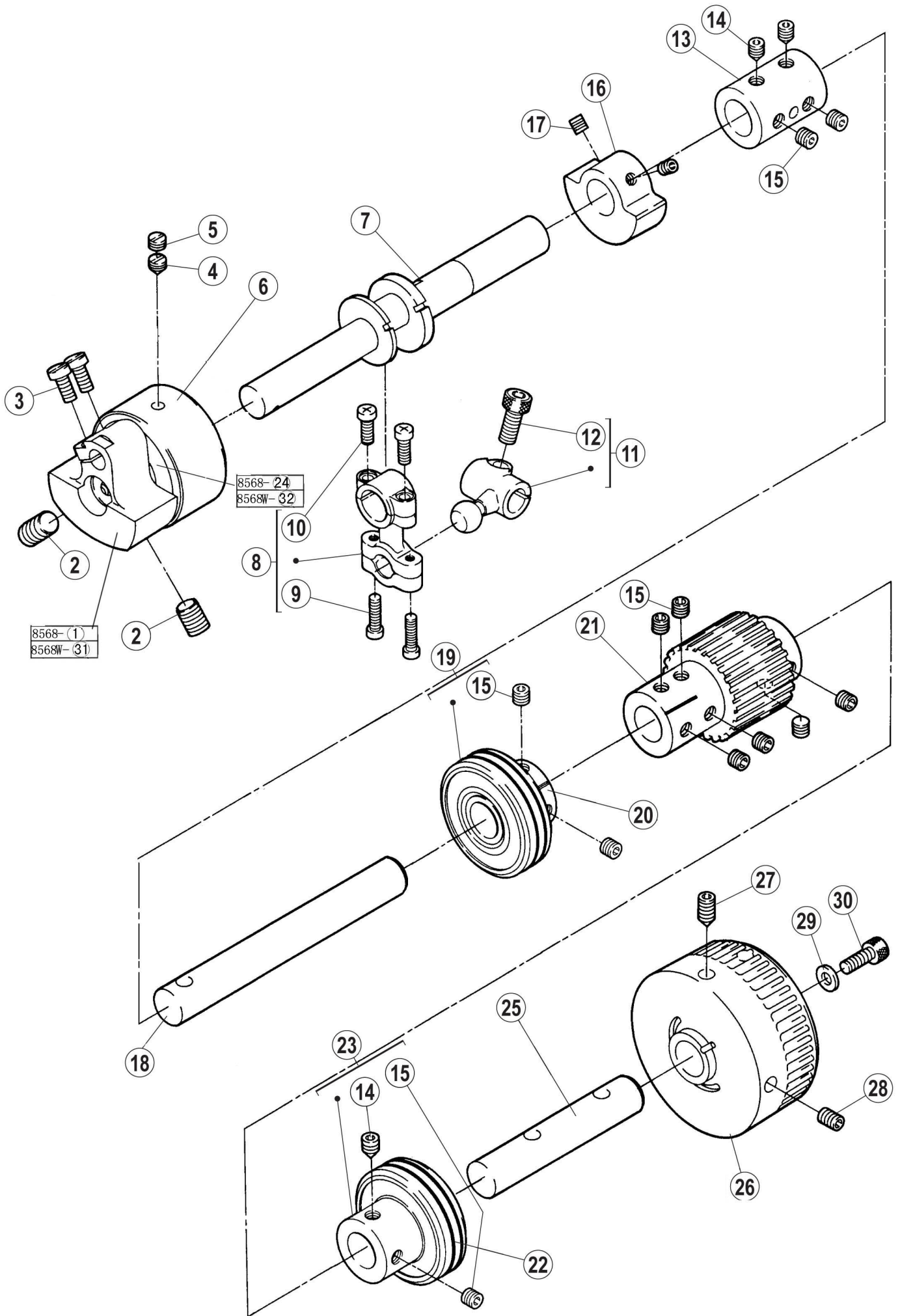


三、缝台部件 Cloth plate assemblies					
序号 Ref.No.	件号 Part NO.	参考件号 Ref.Part.No.	名称	Description	数量 Amt.
1	S01005	7020	螺钉 M4×10	screw	3
2	S02001	7043	螺钉 M4×6	screw	1
3	300139	250052-BSD	左缝台盖 (喷漆)	bed cover(left)	1
4	300137	250074-ASD	右缝台盖 (喷漆)	bed cover(right)	1
5	S01003	7021	螺钉 M4×12	screw	6
6	30115001	250071-91	推板	cover	1
7	300138	250039-SD	侧盖组件 (喷漆)	side coverassy	1
8	301S20004	250037	侧盖合扇销钉	screw	1
9	30128002	201191	弹簧垫圈	spring	2
10	301S20005	250038	销螺钉	pin	1
11	S10001	4535	螺钉 M3×4	screw	2
12	S01002	7017	螺钉 M4×6.5	screw	2
13	30122015	210025	前罩防振垫	cushon	2
14	301S30002	7089	左侧盖簧螺钉	screw	1
15	N01001	4821	螺母 M4	nut	1
16	30112008	250047	挡块	bracket	1
17	S01004	7019	螺钉 M4×7.8	screw	2
18	30127002	206023	侧盖簧	flat spring	1
19	30101072		缝台盖		1
20	30112079		不锈钢缝台		1
21	20528017		垫片	washer	3
22	30101013		侧盖合扇		
23	30111020		缝台裙		1
24	30111021		缝台裙		1



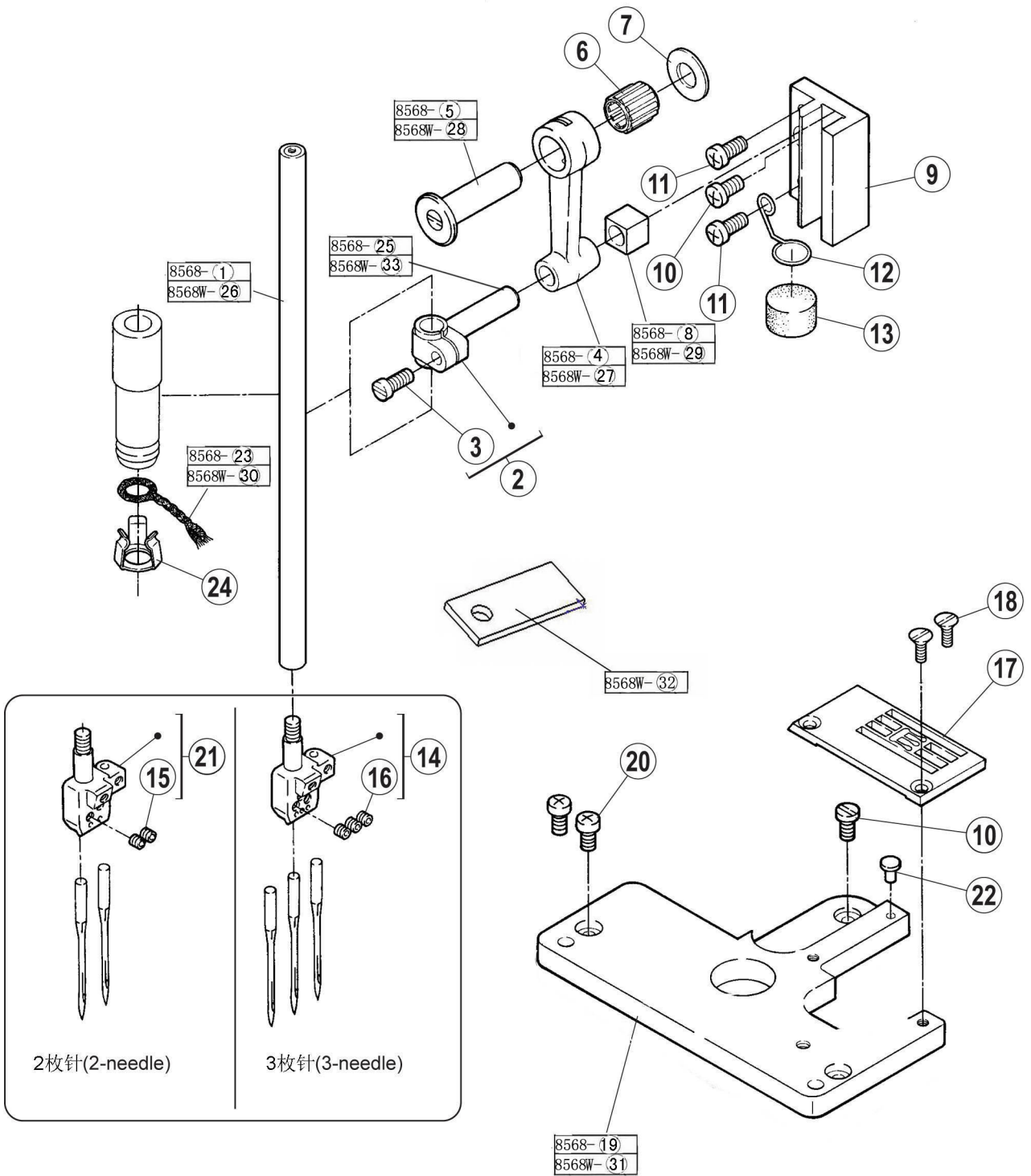
四、下轴部件 Hook shaft asscmlies

序号 Ref.No.	件号 Part NO.	参考件号 Ref.Part.No.	名称	Description	数量 Amt.
1	30102049	250501B-91	下轴	crankshaft assy	1
2	3010500100	2505009-92	连杆组件	connection assy	1
3	S01008	7015	螺钉 M3.5×13	screw	4
4	30104002	252008	下轴曲柄	crank	1
5	S05002	4534	螺钉 M6×0.75×15.2	screw	1
6	S12002	4545	螺钉 M3×4	screw	1
7	30103004	250506	接轴套	joint	1
8	S12003	4555	螺钉 M6×7	screw	2
9	S10003	4547	螺钉 M6×0.75×5	screw	12
10	3012400300	250508-91	油封轴承	bearing	1
11	30103006	250508	中轴套	bushing	1
12	30103008	250543	后轴套	bushing	1
13	3012400400		油封轴承	bearing	1
14	30125001	250511-1	下轴同步带轮	gear (lower)	1
15	30103009	250530	轴承套	bushing	1
16	B01003	250504-91	轴承 6304Z	bearing	1
17	301S11004	4019	比叉螺钉	screw	1
18	W02001	202286	垫圈 5	washer	1
19	30108001	250514	轴承挡圈	cover	1
20	S01004	7019	螺钉 M4×7.8	screw	2
21	30101015	250515	皮带轮	machine puller	1
22	S10009	4541	螺钉 M6×8	screw	1
23	S12001	4556	螺钉 M6×8	screw	1
24	30128005	240126	垫圈	washer	1
25	S05003	4501	螺钉 M5×10	screw	1
26	30102003	250507	下后轴	shaft	1
27	001001	206837	O型圈 15×2.65	o ring	1
28	30135002	206050C	同步带	timing belt	1
29	30126001	250525	调节销	adjusting bar	1
30	30109001	201074	比叉	guide	1

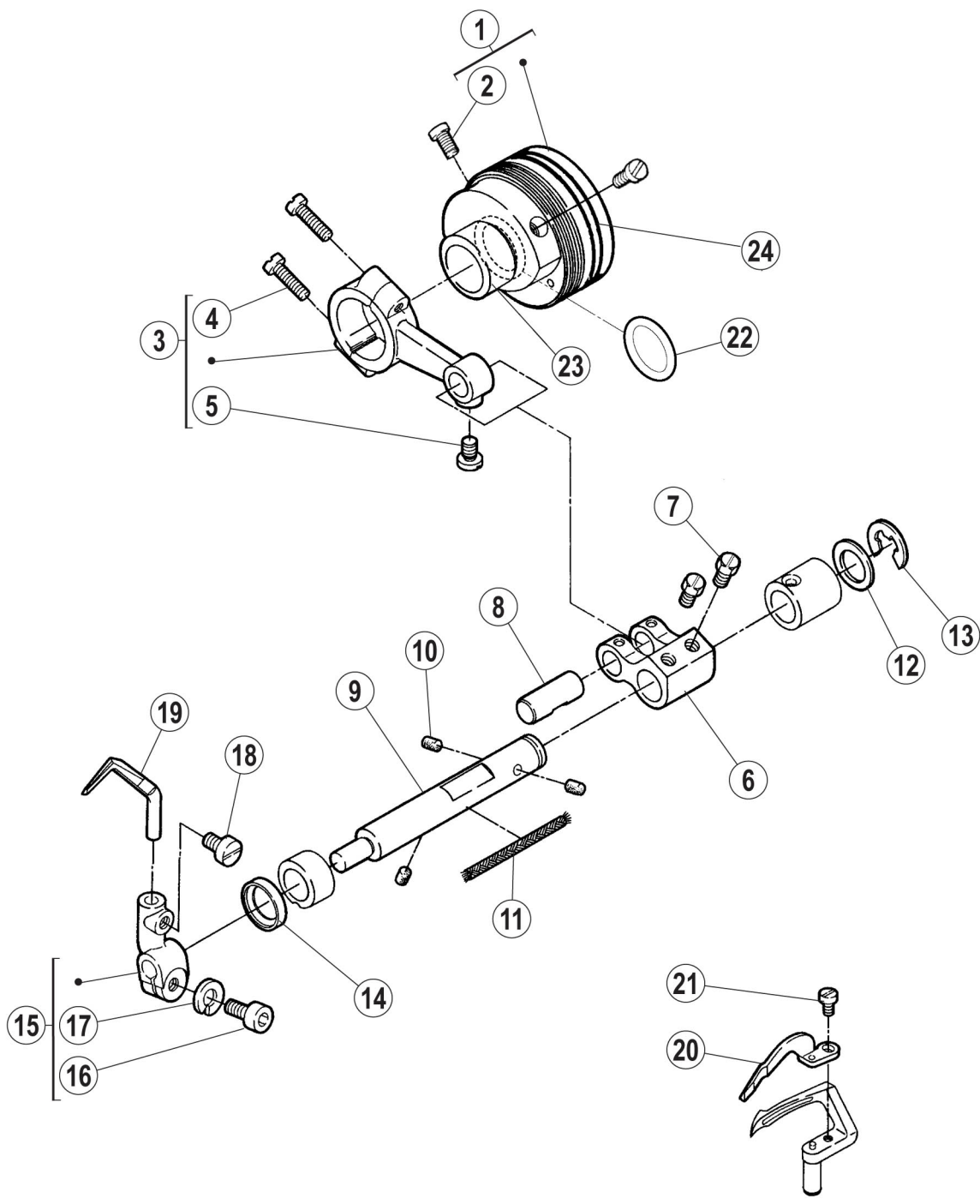


五、上轴部件 Main shaft assemblies

序号 Ref.No.	件号 Part NO.	参考件号 Ref.Part.No.	名称	Description	数量 Amt.
1	30104004	250516B92	针杆曲柄	motion assy	1
2	S10004	4592	螺钉 M8×1×12	screw	2
3	S01011	7028	螺钉 M5×10	screw	2
4	S08001	7153	螺钉 M6×0.75×3.5	screw	1
5	S11001	7152	螺钉 M6×0.75×6	screw	1
6	30103015	250526	轴承套	bushing	1
7	30102005	250517A	上轴	crankshaft	1
8	3010500300	253500-92	连杆组件	connection assy	1
9	S01003	7021	螺钉 M4×12	screw	2
10	S01008	7015	螺钉 M3.5×13	screw	2
11	30104006	253501A	弯针曲柄	crank assy	1
12	S05002	4534	螺钉 M6×0.75×15.2	screw	1
13	30103004	250506	接轴套	joint	1
14	S12003	4555	螺钉 M6×0.75×7	screw	3
15	S10003	4547	螺钉 M6×0.75×5	screw	11
16	30109003	250524	上轴平衡块	balance weight	1
17	S10002	4514	螺钉 M5×5	screw	2
18	30102006	250518-91	中轴	shaft	1
19	3012400400	250529-91	油封轴承	bushing	1
20	30103012	250529	轴承套	bushing	1
21	30125002	250521	上轴同步带轮	gear (upper)	1
22	3012400400		油封轴承	bearing	1
23	30103014	250528	轴承套	bushing	1
24	B01005		轴承 6203	bearing	2
25	30102007	250519	后轴	shaft	1
26	30101067	250523AUD	手轮 (刻好字)	handwheel	1
27	S12001	4556	螺钉 M6×8	screw	1
28	S10009	4541	螺钉 M6×8	screw	1
29	W01004	204585	垫圈 5	washer	1
30	S05004	4501	螺钉 M5×14	screw	1
31	30104033		针杆曲柄	motion assy	1
32	B12001		油封	plug	1

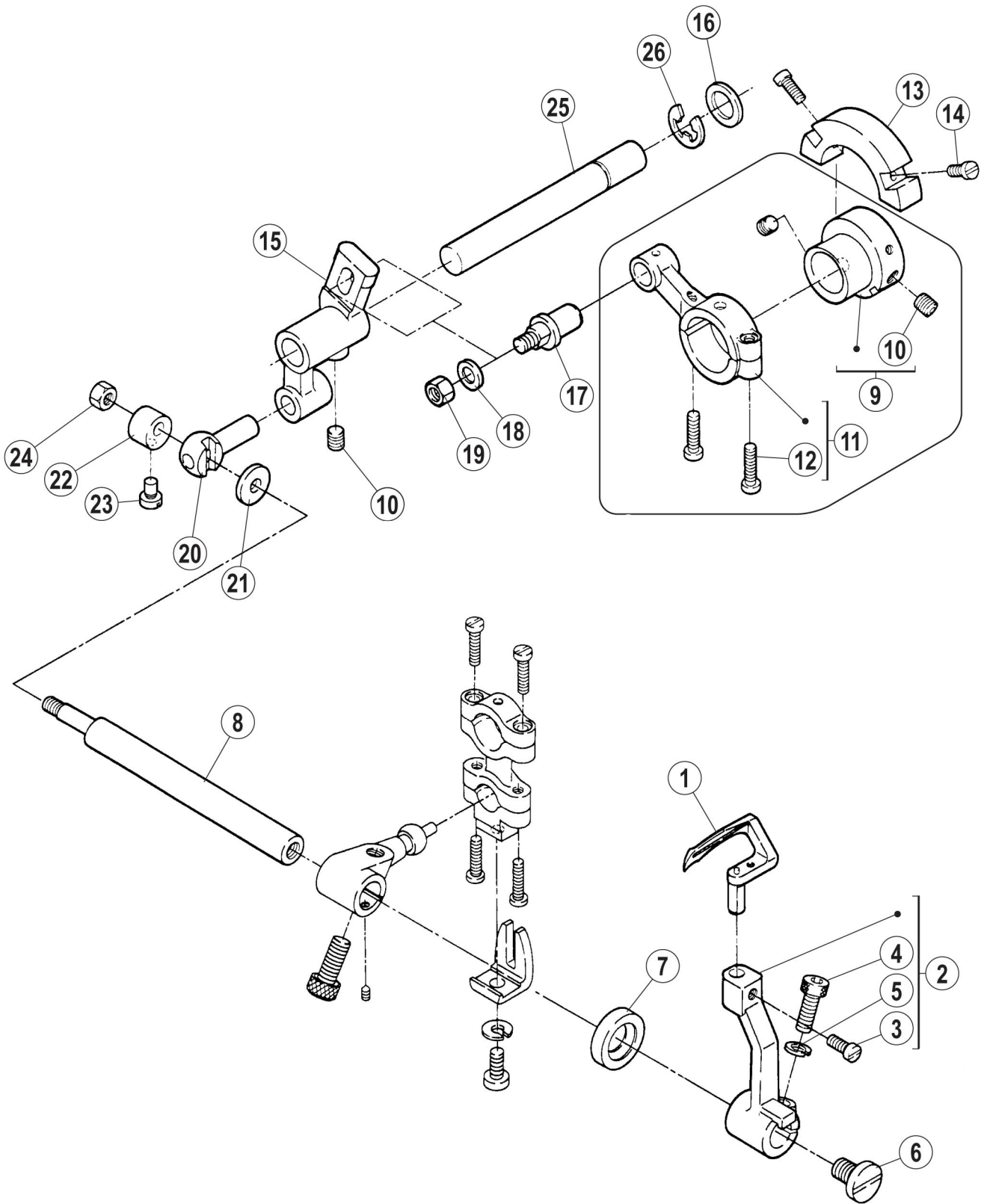


六、针杆部件 Needle bar assemblies					
序号 Ref.No.	件号 Part NO.	参考件号 Ref.Part.No.	名称	Description	数量 Amt.
1	30102008	251000-91	针杆		1
3	301S11005	5325	针杆轧头螺钉		1
4	30105005	206052	针杆连杆	link/needle bar drive	1
5	30102010	206053	针杆连杆轴	pin	1
6	B07001	240098	轴承 8×12×12	needle bearing	1
7	30128006	240101	针杆连杆轴垫圈	washer	1
8	30109004	206063	针杆滑块	block	1
9	30109005	206062	滑块导座	guide bloce/needle bar	1
10	301S11024	7082	滑块导座螺钉	screw	2
11	S01003	7021	螺钉 M4×12	screw	2
12	30127003	251009	毛毡弹簧	latch	1
13	30123002	179040-05	毛毡	psponge	1
14	30134001	257518-56	356针古	needle holder	1
15	S10005	4554	螺钉 M3×3	screw	2
16	S10005	4554	螺钉 M3×3	screw	3
17	30115002		356针板	needle plate	1
18	301S17001	5373-HC	针板螺钉	screw	2
19	30109006	251007	针板座	bracket	1
20	S01004	7019	螺钉 M4×7.8	screw	2
21	30134006		240针古	needle holder	1
	30134004		248针古	needle holder	1
22	30122018	240123	防振垫	cushon rubber	1
23	20523003	202176	油线	oil wick	1
24	30112009	206524	油线托	oil wick retainer	1
25	30102009	206061	针杆轧头		1
26	30102067		针杆		1
27	30105020		针杆连杆		1
28	30102069		针杆连杆销		1
29	30109027		针杆滑块		1
30	30123019		针杆油毡		1
31	30109022		针板座		1
32	30123020		针板油毡		1
33	30102068		针杆轧头		1



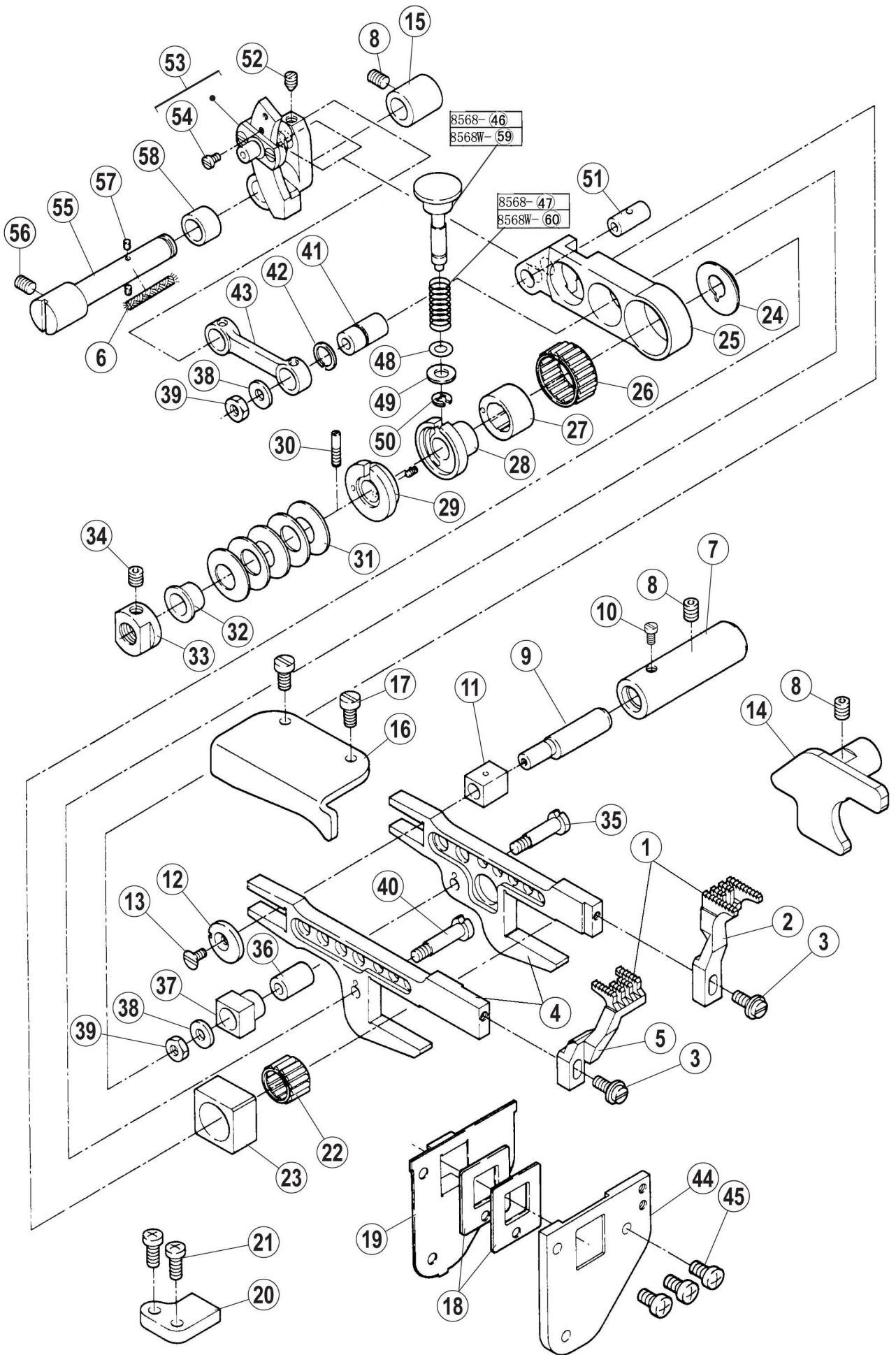
七、护针部件 Needle guard asscmlies

序号 Ref.No.	件号 Part NO.	参考件号 Ref. Part. No.	名称	Description	数量 Amt.
1	B01001		轴承 6004	eccentric assy	1
2	S10006	4539	螺钉 M5×6	screw	2
3	3010500600	255501-92	连杆组件	connection assy	1
4	S01008	7015	螺钉 M3.5×13	screw	2
5	301S11024	7082	滑块导座螺钉	screw	1
6	30104007	306093	弯针曲柄	crank	1
7	301S12001	5084	曲柄螺钉	screw	2
8	30126003	205495	曲柄销	pin	1
9	30102011	251518	护针轴	shaft	1
10	30123001	206748	毛毡	felt	3
11	20523003	202176	油线	oil wick	1
12	30128008	240102	护针轴垫圈	washer	1
13	H05001	205061	挡圈 10	ring	1
14	30122019	204052A	油封	oil seal	1
15	30104009	251519	护针挡架	lever assy	1
16	S05003	4500	螺钉 M5×10	screw	1
17	W02001	303067	垫圈 5	washer	1
18	S01002	7017	螺钉 M4×6.5	screw	1
19	30117002	257551B	后护针挡	needle guard (rear)	1
20	30117003	257553	前护针挡	needle guard (front)	1
21	S01012	7031	螺钉 M2.5×4	screw	1
22	001001		O型圈 15×2.65	o ring	1
23	30110002	251517	偏心凸轮	Eccentric	1
24	30122017		轴承槽油封	oil seal	2



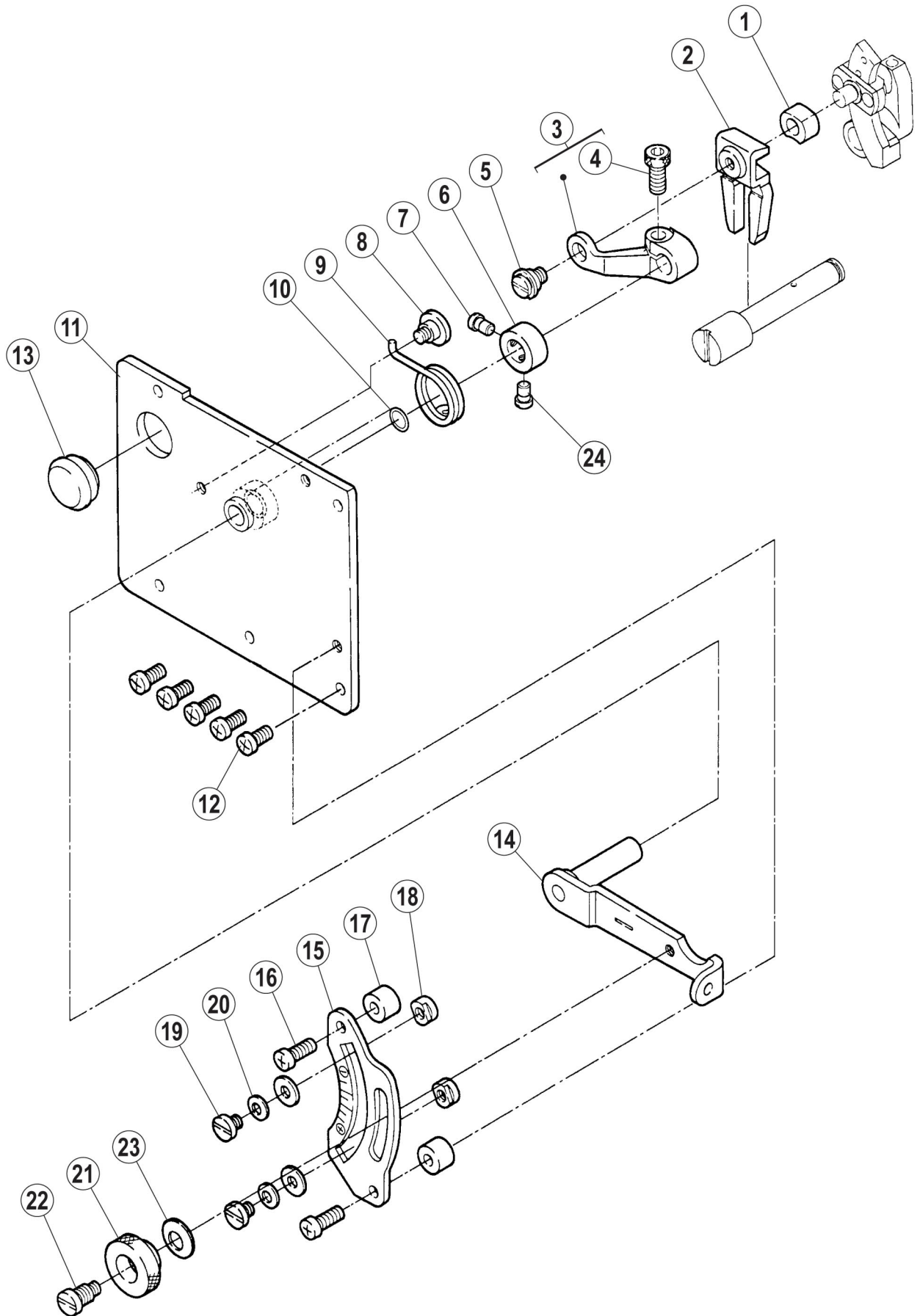
八、弯针部件 Looper assemblies

序号 Ref. No.	件号 Part NO.	参考件号 Ref. Part. No.	名称	Description	数量 Amt.
1	3011700900	257550-91	弯针	looper	1
2	30104012	252007	弯针架	looper holder assy	1
3	S01004	7019	螺钉 M4×7.8	screw	1
4	S05004	4501	螺钉 M5×14	screw	1
5	W02001	303067	垫圈 5	spring washer	1
6	S01014	7085	螺钉 M6×0.75×9.6	screw	1
7	20622019		油封	oil seal	1
8	30102014	252006	弯针架轴	shaft	1
9	30110005	252000	摆架偏心轮	eccentric assy	1
10	S10006	4539	螺钉 M5×6	screw	3
11	3010500800	252001-92	连杆组件	connection assy	1
12	S01008	7015	螺钉 M3.5×13	screw	2
13	30109007	252010	平衡块	balance weight	1
14	S01009	7011	螺钉 M3×7.5	screw	2
15	30104010	252002	弯针摆动架	crank	1
16	30128008	240102	摆架轴垫圈	washer	1
17	30102013	179399-05	连杆轴	pin	1
18	30128032	240049	垫圈	washer	1
19	N01002	4805	螺母 M5	nut	1
20	30102015	252003	摆轴轧头	block pin	1
21	30128010	208028	垫圈	washer	1
22	30108002	208029	偏心挡圈	collar	1
23	301S12001	5084	曲柄螺钉	screw	1
24	N01001	4802	螺母 M4	nut	2
25	30102012	252004	摆架轴	shaft	1
26	H05001	205061	挡圈 10	ring	1



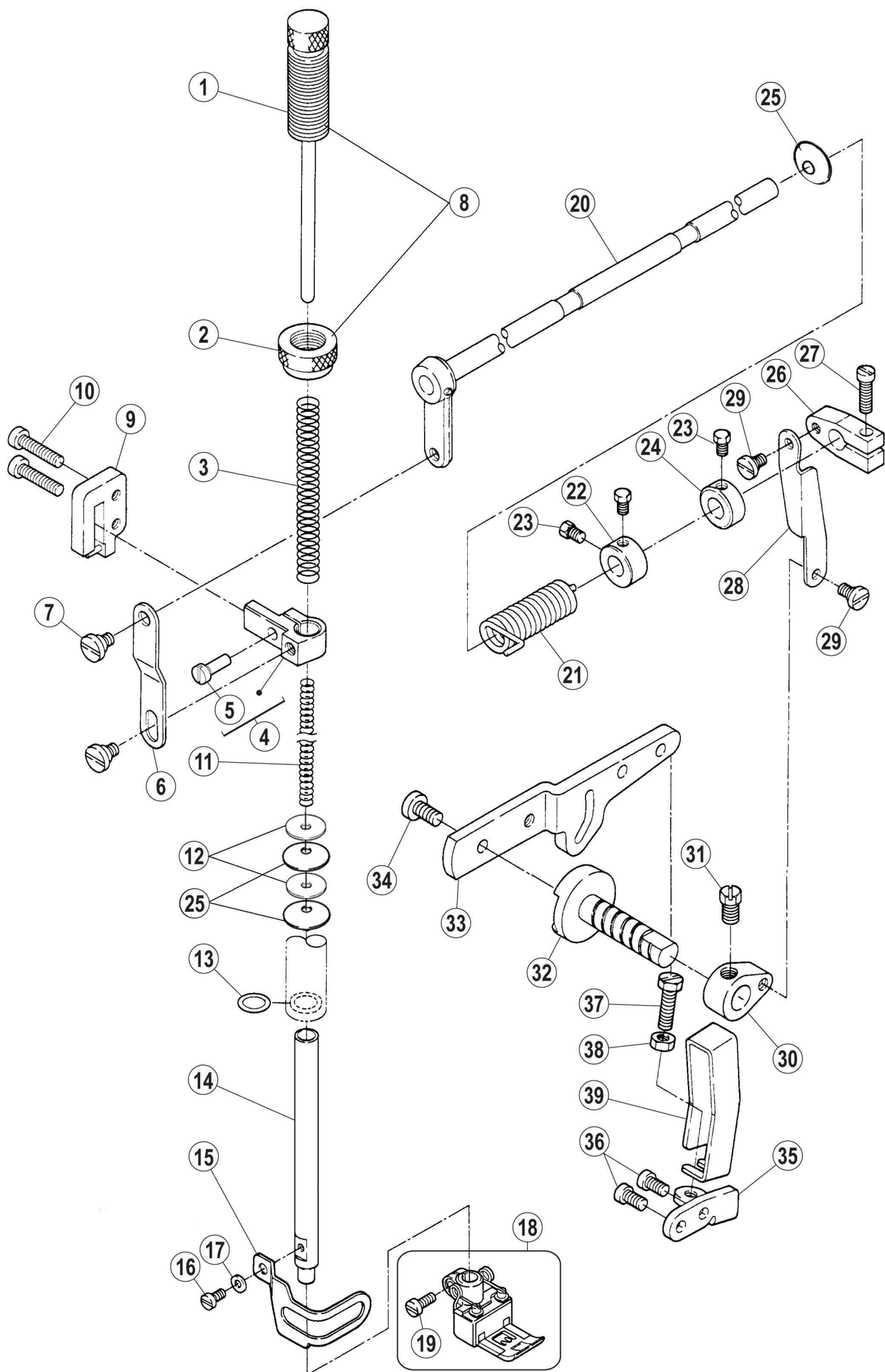
九、牙架部件 Feed dog holder asscmlies

序号 Ref.No.	件号 Part NO.	参考件号 Ref.Part.No.	名称	Description	数量 Amt.
1	3011400700	257259-16F	差动送布牙组件	main feed dog assembly	1
2	30114001		356、364送布牙	main feed dog	1
3	301S30003	5590	差动送布牙螺钉	screw	2
4	3010600400	252500-91	差动送布牙架组件	main feed bar assembly	1
5	30114002		356、364差动牙	differential feed dog	1
6	20123019	202175	油线	oil wick	1
7	30103022	204129A	套筒	bushing	1
8	S10006	4539	螺钉 M5×6	screw	4
9	30102016	204128A	偏心轴	eccentric pin	1
10	301S12001	5084	曲柄螺钉	screw	1
11	30109008	205857	滑块	block/feed bar guide	1
12	30128011	204439A	偏心垫	washer	1
13	301S17002	5317	偏心轴螺钉	screw	1
14	30109009	252504	牙架挡板	guide(right)	1
15	30103031	206571	差动轴后套筒	bushing	1
16	30109010	252507	左挡板	guide(left)	1
17	L02003	7019	螺栓 M4×7	screw	2
18	30122020	206133	牙架油封	oilshield	2
19	30109011	252509	油封挡板	cover	1
20	30109012	252508	挡板	guide(lower)	1
21	S01005	7020	螺钉 M4×10	screw	2
22	B07002	206128	轴承 12×15×10	needle bearing	1
23	30109013	252519	抬牙滑块	block	1
24	30108003	252520	轴承挡圈	washer	1
25	30104013	206562	差动送布架	link/main feed	1
26	B07003	206125	轴承 17×21×10	needle bearing	1
27	30103023	252521	偏心轴承套	eccentric	1
28	30103024	252522	送布调节器	regulator	1
29	3010306500	252523-91	调节器套	eccentric retainer	1
30	301S30004	252516	调节器螺钉	screw	1
31	30128012	240125	碟形垫圈	spring	5
32	30103026	252525	垫圈套	spacer	1
33	301S16001	252543	调节螺母	nut	1
34	S10002	4514	螺钉 M5×5	screw	1
35	301S30005	206120	牙架螺钉	screw	1
36	30103027	206119	差动牙架套	bushing	1
37	30109014	206563	送布滑块	guide block	1
38	30128013	200098	垫片	washer	2
39	301S16002	3044	六角螺母	nut	2
40	301S30006	206123	差动牙架螺钉	screw	1
41	30103028	206566	差动连杆套	bushing	1
42	30129001	206565	开口挡圈	ring	1
43	30105010	206564	差动送布连杆	link/differential feed	1
44	30109015	251520	牙架挡板	bracket	1
45	S01004	7019	螺钉 M4×7.8	screw	3
46	30102017	252526	针距调节按钮	pin	1
47	30127004	240122	针距调节簧	spring	1
48	001004	206366	O型圈 4×1.8	o ring	1
49	30128032	204585	垫圈	washer	1
50	H05003	200555	挡圈 5	ring	1
51	30103029	206569	差动送布架套	pin	1
52	S12005	4546	螺钉 M4×4	screw	1
53	3010401500	252527-91	差动调整架组件	crank	1
54	S01012	7031	螺钉 M2.5×4	screw	1
55	30102018	252510	差动轴	shaft	1
56	S10002	4514	螺钉 M5×5	screw	1
57	30123005	207358	毛毡	felt	2
58	30103030	240119	差动轴前套筒	spacer	1
59	30126016		针距调节按钮	pin	1
60	30127026		针距调节簧	spring	1



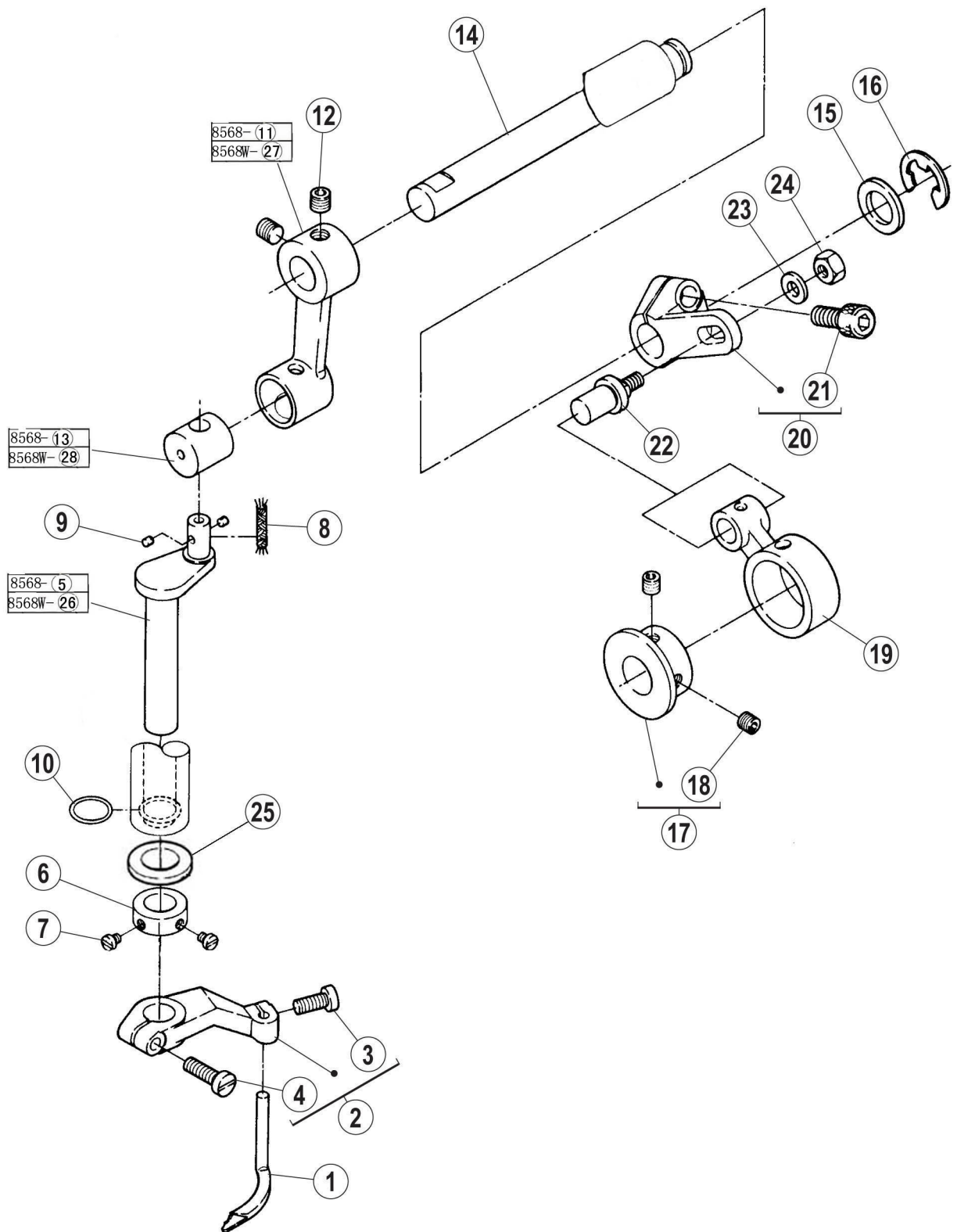
十、差动部件 Differential assemblies

序号 Ref. No.	件号 Part NO.	参考件号 Ref. Part. No.	名称	Description	数量 Amt.
1	30103032	252531	方套	block	1
2	30109016	252532	比叉	guide/block	1
3	30105012	252533	连杆	lever	1
4	S05005	4531	螺钉 M5×12	screw	1
5	301S20006	5316	连杆连接螺钉	screw	1
6	30108004	240271	挡圈	ring	1
7	301S11007	1998-2	挡圈螺钉	screw	1
8	301S20001	7066	护罩座固定螺钉	screw	1
9	30127005	252536	弹簧	spring	1
10	001005	240129	O型圈 7.5×1.8	o ring	1
11	3011201100	252539A91	左板组件	bracket	1
12	S01004	7019	螺钉 M4×7.8	screw	5
13	30122021	240162	油封堵	plug	1
14	3011201300	252664-91	调节扳手组件	lever assy	1
15	30112015	252538	调节板	scale plate	1
16	S01003	7021	螺钉 M4×12	screw	2
17	30203019	240124	调节套	spacer	2
18	20109005	210171	调节螺母	stopper	2
19	301S11008	2905	螺钉	screw	2
20	W01006	201185	垫圈 4	washer	2
21	301S16004	210167	螺母	nut	1
22	301S30007	5486	调节扳手螺钉	screw	1
23	30128014	211301	垫圈	washer	1
24	301S11023		挡圈螺钉（短）	screw	1



十一、压脚部件 Presser form assemblies

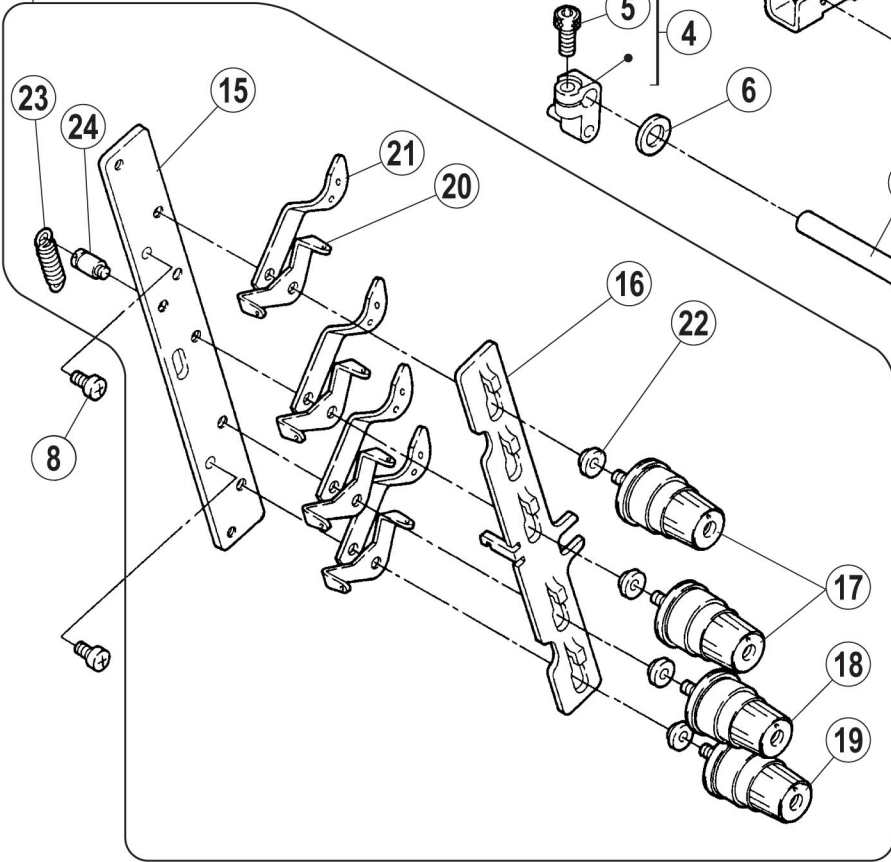
序号 Ref. No.	件号 Part NO.	参考件号 Ref. Part. No.	名称	Description	数量 Amt.
1	301S30008	253000-91	调压螺杆	adjusting bar	1
2	301S16005	253003	调节母	nut	1
3	30127006	240112	调压弹簧	spring	1
4	30104017	206139	压脚轧头	presser bar clamp	1
5	S01003	301S11009	压脚轧头螺钉 M4×12	screw	1
6	30112016	206157	压脚轧头连接板	link	1
7	301S20007	5386	台螺钉	screw	2
8	3013002400		调压螺杆组件	adjusting bar assembly	1
9	3010901700	253005-91	导块	guide assy	1
10	S11025	7025	螺钉 M4×20	screw	2
11	30127008	240113	调压弹簧	spring	1
12	30122022	253018	压脚轴碟形密封圈	oil guard	2
13	001006	240095	O型圈 8.5×1.8	o ring	1
14	30102020	253004	压脚轴	presser bar	1
15	30112017	253028	压脚护罩	finger guard	1
16	S01006	7010	螺钉 M3×4.5	screw	1
17	W01002	202875	垫圈 3	washer	1
18	30116020	257460-40	240压脚	presser foot assy	1
	30116009		248压脚	presser foot assy	1
	30116019		348压脚	presser foot assy	1
	3011601300		356压脚	presser foot assy	1
	3011601400		364压脚	presser foot assy	1
	30116015		240压脚 (02型)	presser foot assy	1
	30116018		248压脚 (02型)	presser foot assy	1
	30116005		356压脚 (02型)	presser foot assy	1
	30116006		364压脚 (02型)	presser foot assy	1
	30116003		356压脚 (05型)	presser foot assy	1
	30116004		364压脚 (05型)	presser foot assy	1
19	301S11010	1170-3	压脚固定螺钉	screw	1
20	30102021	253008-1	抬压轴	lever	1
21	30127009	253010	抬压轴簧	spring	1
22	30108005	206156	挡圈	ring	1
23	301S12001	5084	曲柄螺钉	screw	3
24	30108006	192024	挡圈	ring	1
25	30122023	253008-4	抬压轴油封	plug	3
26	30104019	206149	抬压曲柄I	bell crank (upper)	1
27	301S11011	5187	抬压曲柄螺钉	screw	1
28	30112018	253011	抬压曲柄连接板	link	1
29	301S20008	5184	连接板螺钉	screw	2
30	30104020	206148	抬压曲柄II	bell crank (lower)	1
31	301S20013	Apr-22	抬压曲柄II固定螺钉	screw	1
32	30102022	253013	抬压轴	shaft	1
33	30112019	253014	抬压轴扳手	lever	1
34	S01011	7028	螺钉 M5×10	screw	1
35	30112020	253015	抬压曲柄座	bracket	1
36	S01004	7019	螺钉 M4×7.8	screw	2
37	S01016	4549	螺钉 M5×17	screw	1
38	N01002	4805	螺母 M5	nut	1
39	30211006		护罩	guard/presser foot lift lever	1



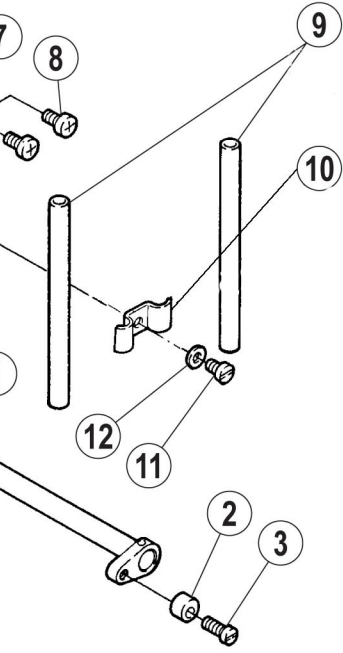
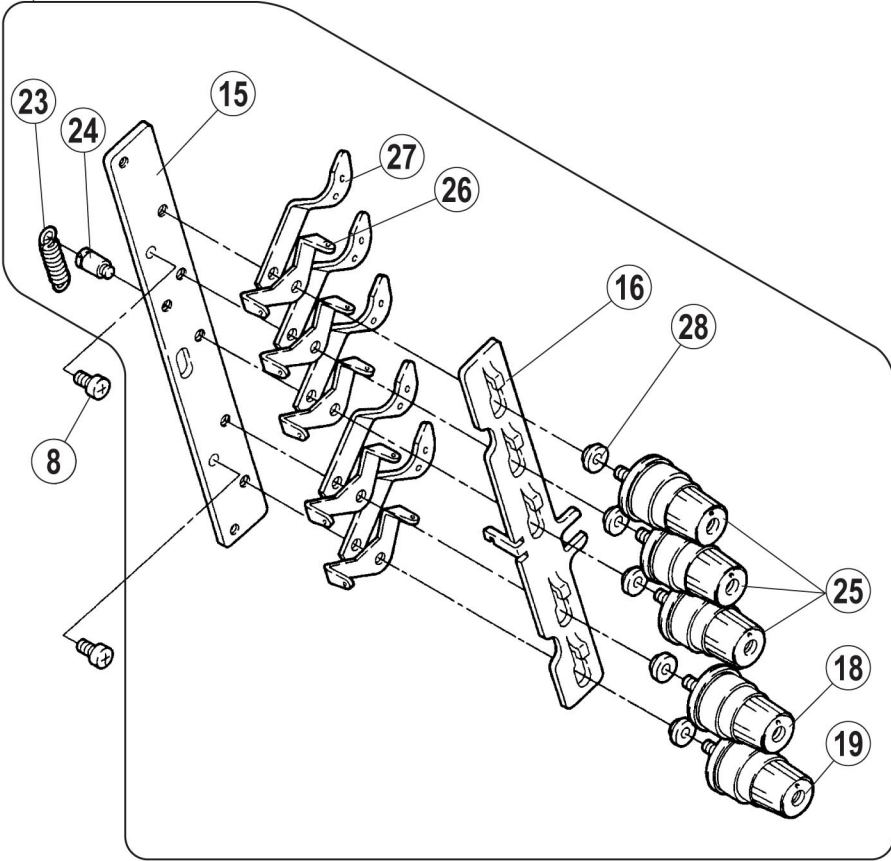
十二、喂针部件 Needle feeding asscmlies

序号 Ref.No.	件号 Part NO.	参考件号 Ref. Part. No.	名称	Description	数量 Amt.
1	30117005	257565	喂针	spreader	1
2	30104022	254516	喂针架	lever/assy	1
3	S01005	7020	螺钉 M4×10	screw	1
4	S01017	7022	螺钉 M4×14	screw	1
5	30102023	254508	摆动轴	crankshaft	1
6	30108007	212039	挡圈	collar	1
7	201S11033	S071	挡圈螺钉	screw	2
8	20123019	202176	油线	oil wick	1
9	30123008	207925	摆动轴油孔毛毡	felt	2
10	001008	233020	O型圈 9×1.8	o ring	1
11	30105013	254506	喂针摆动连杆	crank	1
12	S10003	4547	螺钉 M6×0.75×5	screw	2
13	30126005	254507	喂针摆动销	block	1
14	30102024	254519	摆动连杆轴	shaft	1
15	30128015	206180	摆动连杆轴垫圈	washer	1
16	H05004	306671	挡圈12	ring	1
17	30110007	254501A	喂针凸轮	eccentric assy	1
18	S10002	4514	螺钉 M5×5	screw	2
19	30105014	254511	喂针连杆	connection	1
20	30104024	254503	喂针摆动曲柄	crank	1
21	S05002	4534	螺钉 M6×0.75×15.2	screw	1
22	30126006	254504	连杆销	screw	1
23	30128032	240062	垫圈	washer	1
24	N01002	4805	螺母 M5	nut	1
25	30128018		垫圈	washer	1
26	30102070		摆动轴		1
27	30105021		摆动连杆		1
28	30126022		喂针摆动销		1

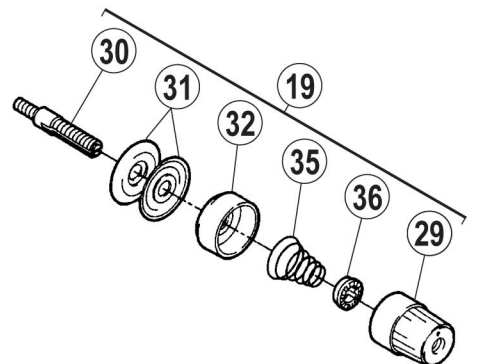
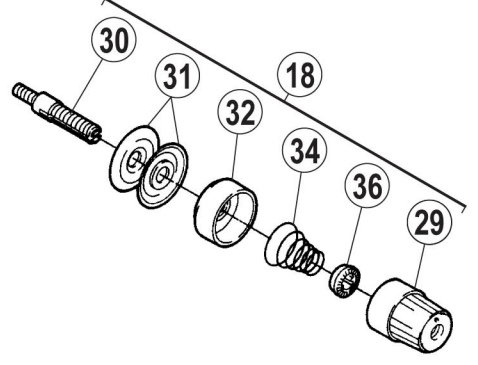
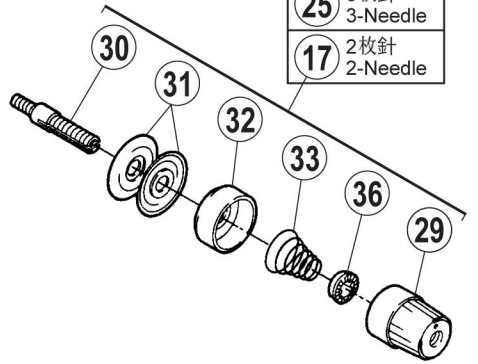
13 2枚針
2-Needle



14 3枚針
3-Needle.

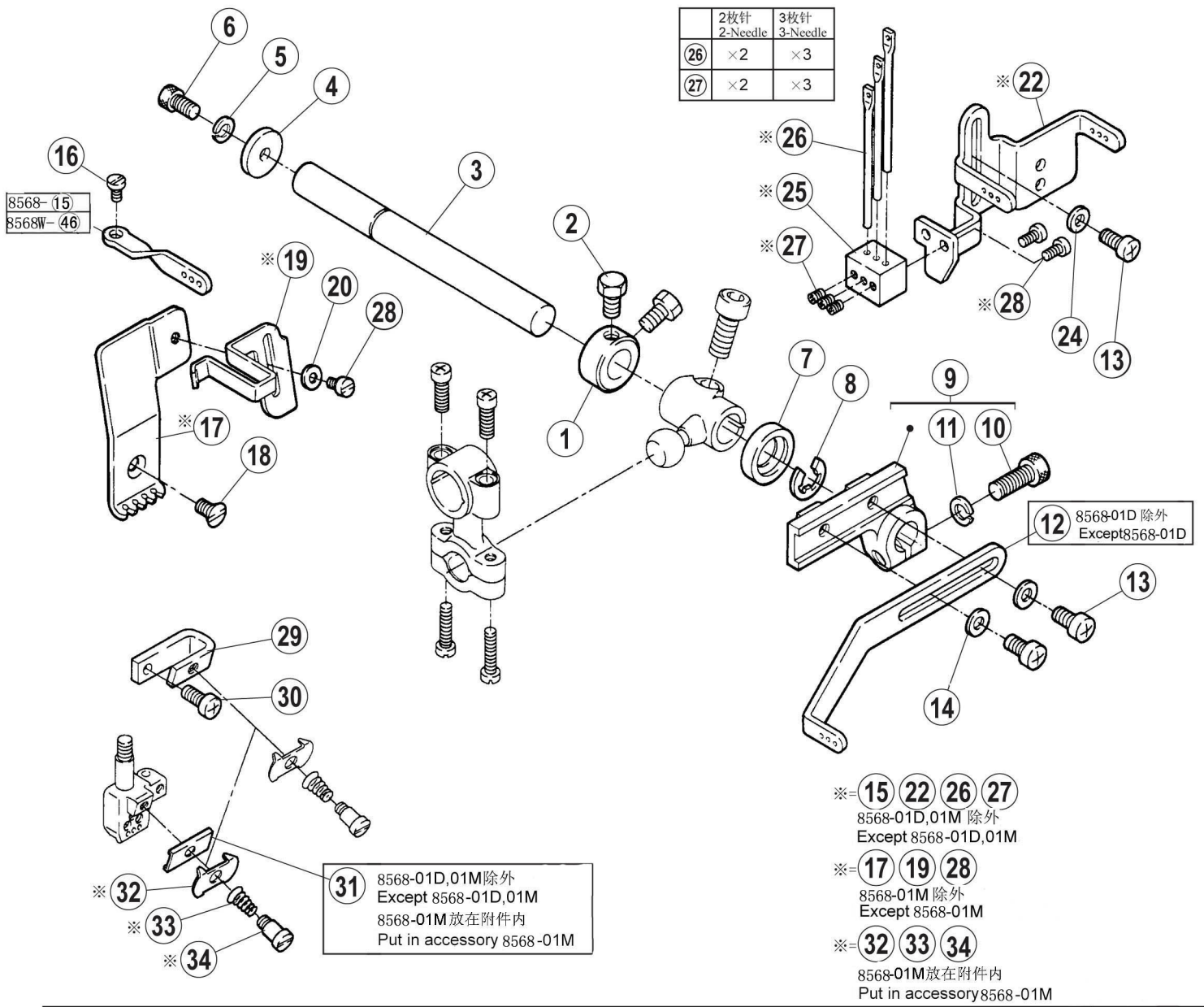


25 3枚針
3-Needle
17 2枚針
2-Needle

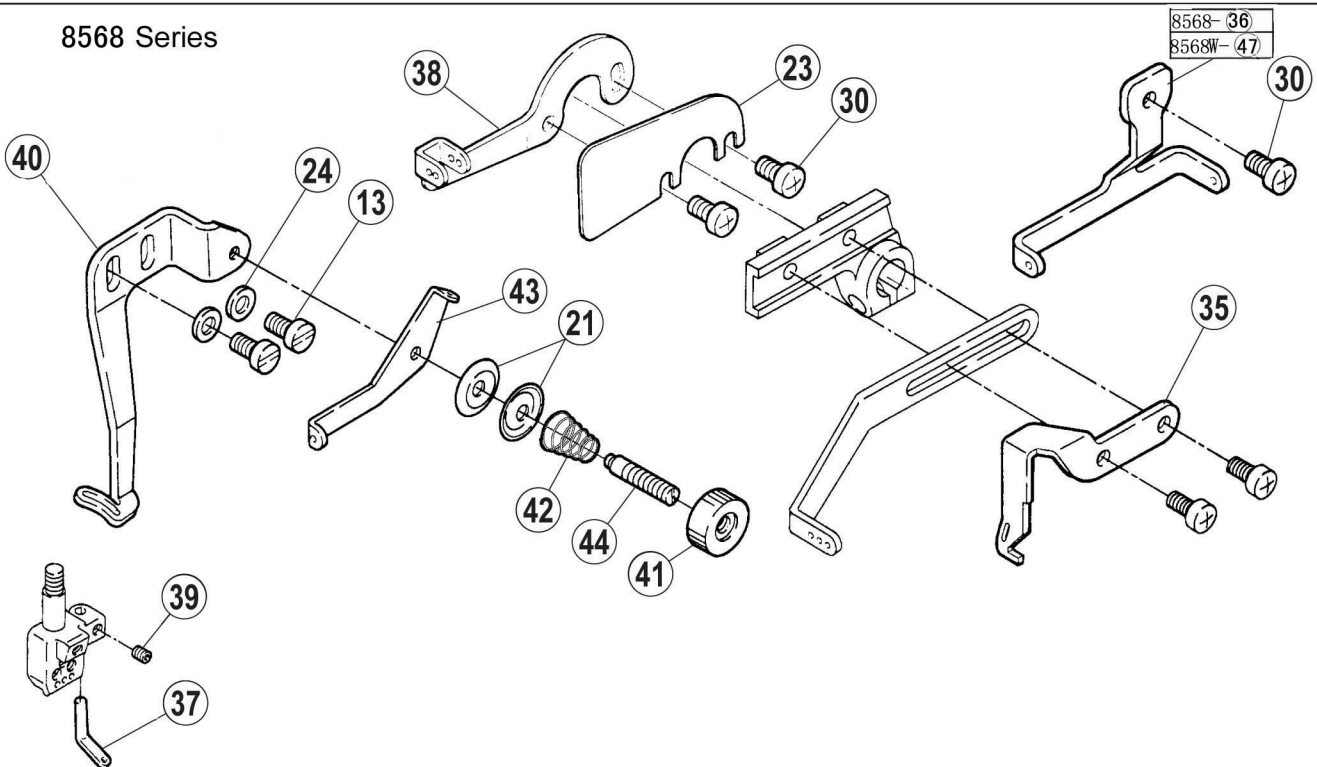


十三、松线部件 Thread loosing assemblies

序号 Ref. No.	件号 Part NO.	参考件号 Ref. Part. No.	名称	Description	数量 Amt.
1	3010403200	254000-91	松线曲柄II	lever	1
2	30103040	254022	轴套	spacer	1
3	301S11013	Jan-33	轴套紧固定螺钉	screw	1
4	3010403100	254003B91	松线曲柄I	crank	1
5	S05005	4531	螺钉 M5×12	screw	1
6	W01010	202868	垫圈 8	washer	1
7	30113001	254008	过线架	thread guide	1
8	S01004	7019	螺钉 M4×7.8	screw	4
9	30102026	192120	夹线柱	pipe	2
10	30112021	254009	压板	bracket	1
11	S01002	7017	螺钉 M4×6.5	screw	1
12	W01001		垫圈 4	washer	1
13	3011300300	254023C9U	二针过线组件	tension conrol mechanism	1
14	3011300200	254023E9U	三针过线组件	tension conrol mechanism	1
15	30113003	254019	过线板	bracket	1
16	30112022	244021	过线调节板	thread releaser	1
17	3011300400	254010A9U	调线组件(弱)	tension spring assy	2
18	3011300500	254010B9U	调线组件(中)	tension spring assy	1
19	3011300600	254212C9U	调线组件(强)	tension spring assy	1
20	30113007	254020	二孔过线板I	thread guide	4
21	30113008	206203	二孔过线板II	thread guide	4
22	30103041	206202	调节套	spacer	4
23	30127010	306301	调节板簧	spring	1
24	301S30009	5447	调节板螺钉	screw	1
25	3011300400		调线组件(弱)	tension spring assy	3
26	30113007	254020	二孔过线板I	thread guide	5
27	30113008	206203	二孔过线板II	thread guide	5
28	30103041	206202	调节套	spacer	5
29	301S16006	208447-UA	调压螺母	knob	1
30	301S30010	1817-2A	夹线廷	screw stud	1
31	30128016	210319	夹线片	tension disc	2
32	30111005	208450-UA	调压止动盖	spring shield	1
33	30127011	201037	调压簧(强)	spring (heavy)	3
34	30127012	201086	调压簧(中)	spring (medium)	1
35	30127013	201068	调压簧(弱)	spring (lifht)	1
36	30111006	208448	调压止动套	ratchet	1

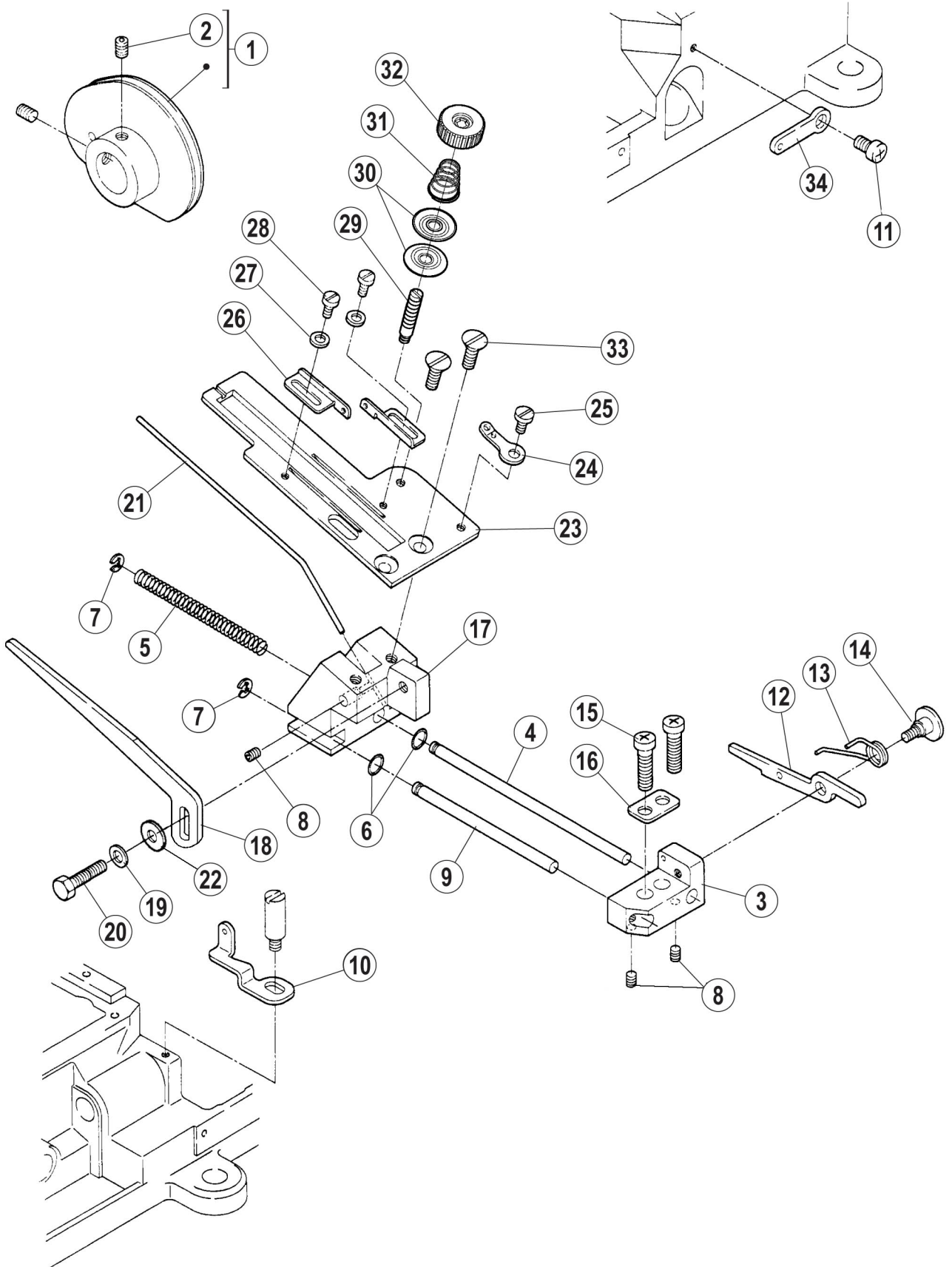


8568 Series



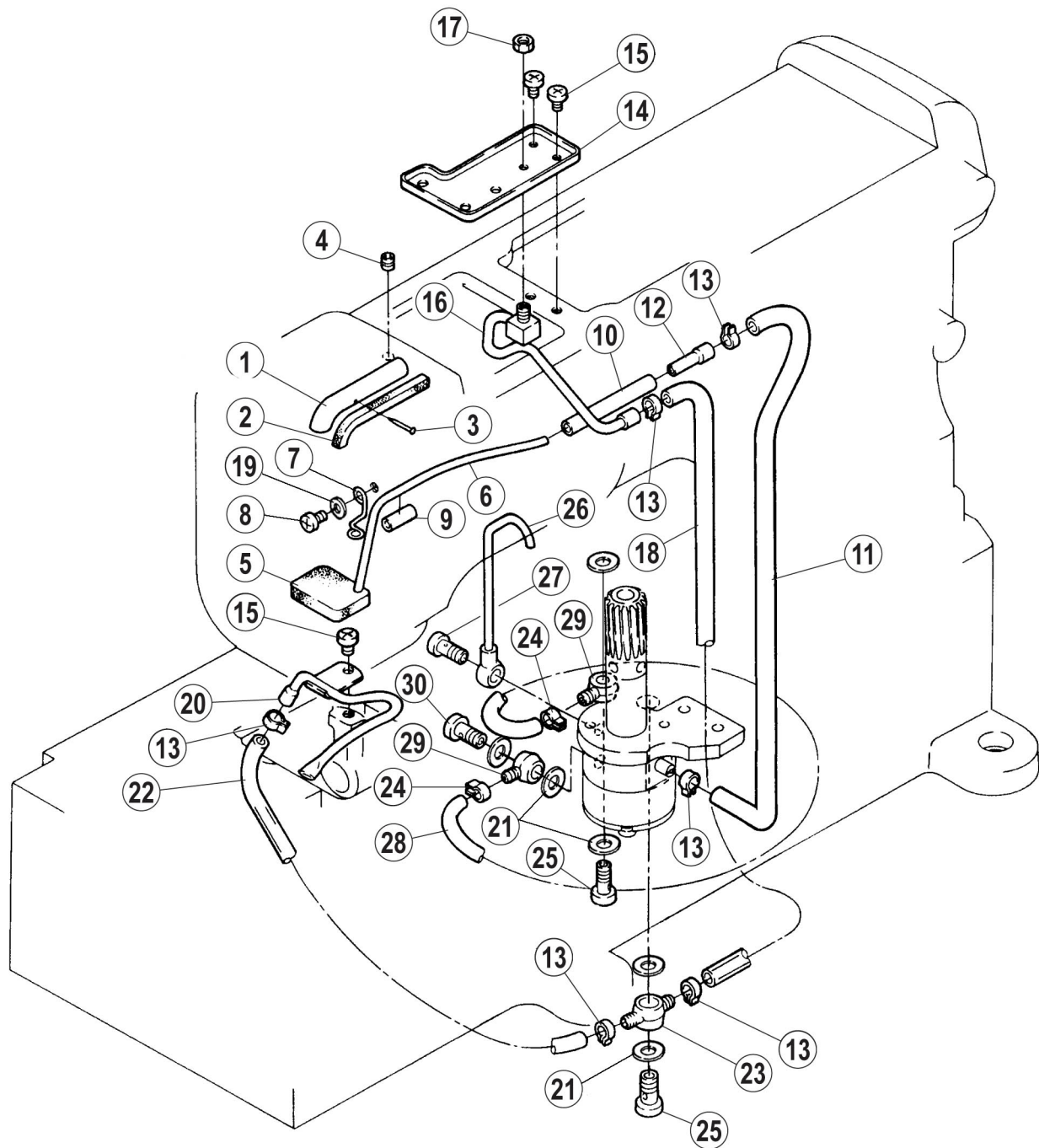
十四、松线部件 Thread loosing assemblies

序号 Ref. No.	件号 Part NO.	参考件号 Ref. Part. No.	名称	Description	数量 Amt.
1	20608003	240201	挡圈	ring	1
2	301S12001	5084	曲柄螺钉	screw	2
3	30102028	253503	过线座轴(中轴)	shaft	1
4	30128019	204107	垫片	washer	1
5	W02002	201252	垫圈 4	washer	1
6	S05048	4527	螺钉M4×10	screw	1
7	20622019		油封	plug	1
8	H05001	205061	挡圈 10	ring	1
9	30101018	253504	过线座	lever	1
10	S05004	4501	螺钉 M5×14	screw	1
11	W02001	303067	垫圈 5	washer	1
12	30113009	253505A	长过线板	thread take-up	1
13	S01004	7019	螺钉 M4×7.8	screw	5
14	W01001	303448	垫圈 4	washer	2
15	30113010	253507	三孔过线	thread guide	1
16	S01006	7009	螺钉 M3×4.5	screw	1
17	30113011	253508A	过线板	thread guide	1
18	206S30016	7170	螺钉	screw	1
19	30112023	253509A	护线罩	thread support	1
20	30128034	202588	垫圈	washer	1
21	S01006	7009	螺钉 M3×4.5	screw	1
22	30112027	253544	硅油盒固定架	thread guide	1
23	30112086		过线挡板	guard(thread take-up lever)	1
24	W01001	303448	垫圈 4	washer	3
25	30113012	253545	针杆过线座	holder	1
26	30113013	234521	过线杆	thread guide	3
27	S10001	4535	螺钉 M3×4	screw	3
28	S01006	7009	螺钉 M3×4.5	screw	2
29	30112024	253516	U形夹线座	thread tension bracket	1
30	S01001	7018	螺钉 M4×7	screw	4
31	30112025	234561	夹线板	thread guide	1
32	30112026	253593	压线板	thread retainer	1
33	30127014	253517	调压簧	spring	1
34	301S20009	W09070-2	调线螺钉	screw	1
35	30112028	353506	长过线压板	thread take-up	1
36	30112030	253515	过线板	thread guide	1
37	30112033	253511	喂针小过线	thread guide	1
38	30112029	253514	喂针过线	thread guide	1
39	S10005	4554	螺钉 M3×3	screw	1
40	30112031	253548	喂针过线板	thread guide	1
41	301S16007	5526	夹线螺母	knob	1
42	30127016	211388	夹线簧	spring	1
43	30112032	253547	喂针二眼过线	thread guide	1
44	301S30011	5387	调压螺钉	screw	1
45	20112033	137108	夹线片	thread retainer	2
46	30113033		三孔过线	thread guide	1
47	30313001		过线板	thread guide	1



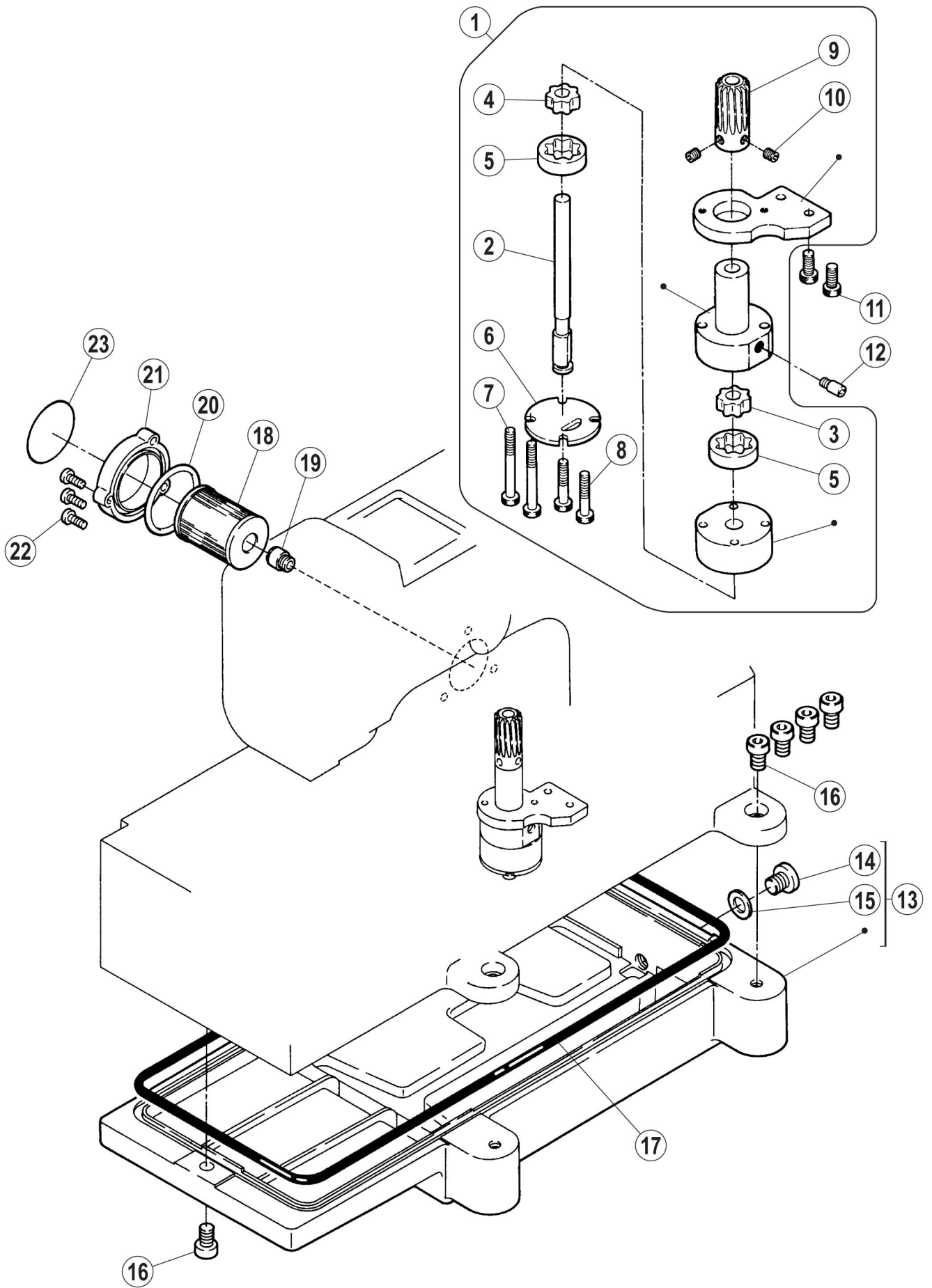
十五、打线凸轮部件(8568) Cam assemblies asscmlies

序号 Ref. No.	件号 Part NO.	参考件号 Ref. Part. No.	名称	Description	数量 Amt.
1	3011000800	253608-91	打线凸轮组件	thread take-up	1
2	S10002	4514	螺钉 M5×5	screw	2
3	30101020	210353	滑杆座	bracket	1
4	30102029	253525	滑杆轴I	shaft	1
5	30127017	240115	弹簧	spring	1
6	001009	303865	O型圈 4.5×1.8	o ring	2
7	H05003	200555	挡圈 5	collar	2
8	S10005	4554	螺钉 M3×3	screw	3
9	30102030	253526	滑杆轴II	shaft	1
10	30113017	253615	弯针过线架	thread guide	1
11	S01001	7018	螺钉 M4×7	screw	1
12	30112038	253527	扳手	stopper	1
13	30127018	253528	弹簧	spring	1
14	301S20010	7087	扳手螺钉	screw	1
15	S01007	7023	螺钉 M4×13.5	screw	2
16	30128023	210955A	垫片	washer	1
17	30101019	253612	打线架座	bracket	1
18	30112037	253614	打线片	thread guide	1
19	W02002	201252	垫圈 4	washer	1
20	L02002	4325	螺钉 M4×10	screw	1
21	30112036	253613	挡线片	thread support	1
22	30128019	204107	垫片	washer	1
23	30112035	253611	打线架	bracket	1
24	20613008	210353	过线	thread guide	1
25	301S11014	2921	过线螺钉	screw	1
26	30113014	253533A	打线架过线	thread guide	2
27	W01012	210585	垫圈 2.5	washer	2
28	S01012	7031	螺钉 M2.5×4	screw	2
29	301S30011	5387	调压螺钉	screw	1
30	20112033	137108	小夹线片	thread retainer	2



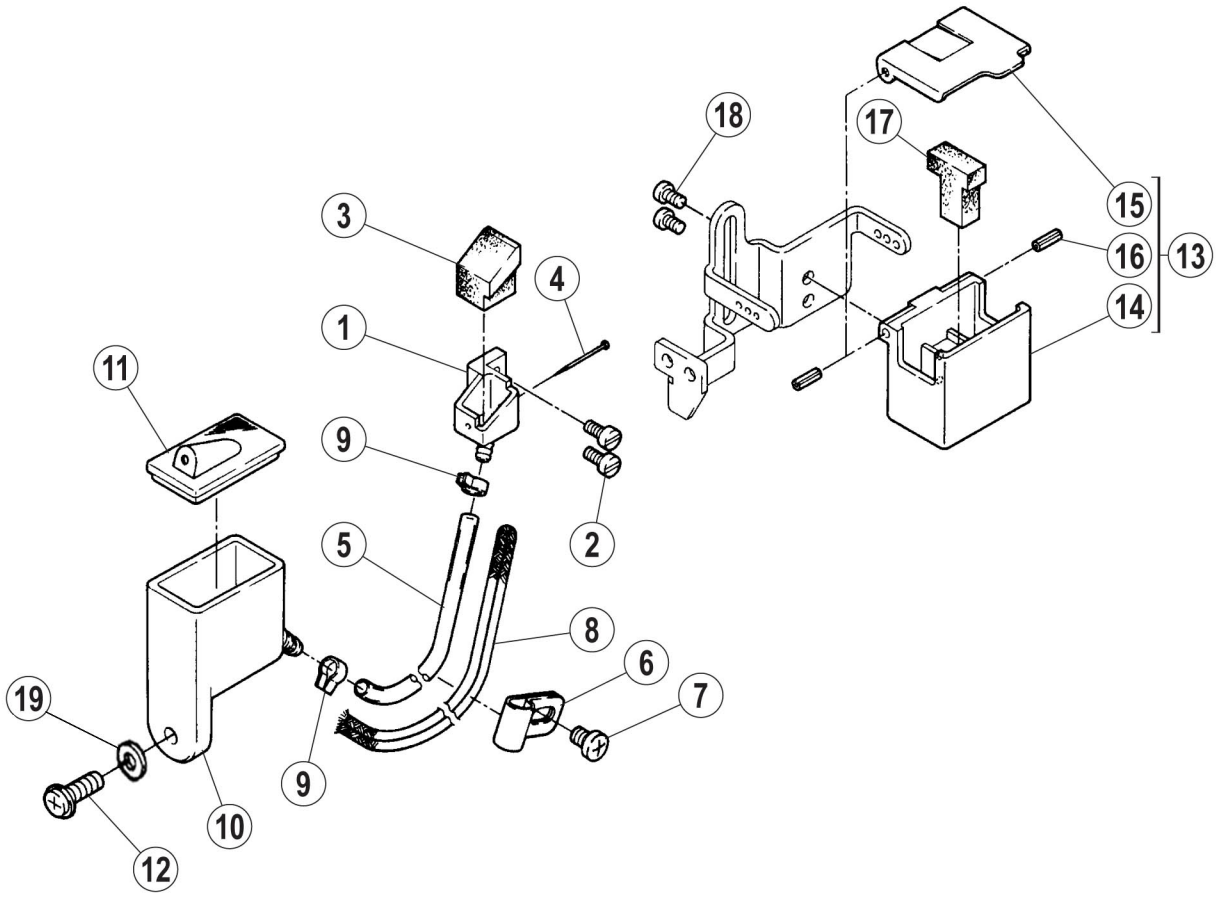
十六、润滑部件 Lubrication assemblies

序号 Ref. No.	件号 Part NO.	参考件号 Ref. Part. No.	名称	Description	数量 Amt.
1	30121012	255003	铜油管	oil pipe	1
2	30123010	240136	油毡	felt	1
3	30126008	210766	销钉	pin	1
4	S10002	4514	螺钉 M5×5	screw	1
5	30123009	255021	油毡	felt	1
6	3012101400	255039	细油管	pipe	1
7	30127019	200136	压簧	latch	1
8	S01004	255005	螺钉 M4×7.8	screw	1
9	30121007	240143	油管	tube	1
10	30121005	240144	油管	tube	1
11	30121018	240135	Φ4×Φ6油管	tube	1
12	30136002	255038	油管接头	joint	1
13	20129002	202199	油管卡簧	clamp	6
14	30112039	255006	接油盘	oil guard	1
15	S01002	7017	螺钉 M4×6.5	screw	3
16	3012101500	255007-91	喷油管	oil distributor	1
17	N01001	4821	螺母 M4	nut	1
18	30121010	240134	Φ4×Φ6油管	tube	1
19	W01001	303448	垫圈 4	ring	1
20	30121009	255010-91	喷油管	oil distributor	1
21	20122033		纸片	washer	6
22	30121008	240270	Φ4×Φ6油管	tube	1
23	30136004	200136	双头油管接头	joint	1
24	30129006	202199	油管卡簧(大)	clamp	2
25	301S30013	200152	过油螺钉	joint screw	2
26	30136003	255035-91	铜油管接头	pipe	1
27	301S30012	255037	油管螺钉	screw	1
28	30121017	205113A	Φ5×Φ7油管	tube	1
29	30136001	200136	油管接头	joint	2
30	201S30004	200152	过油螺钉	joint screw	1



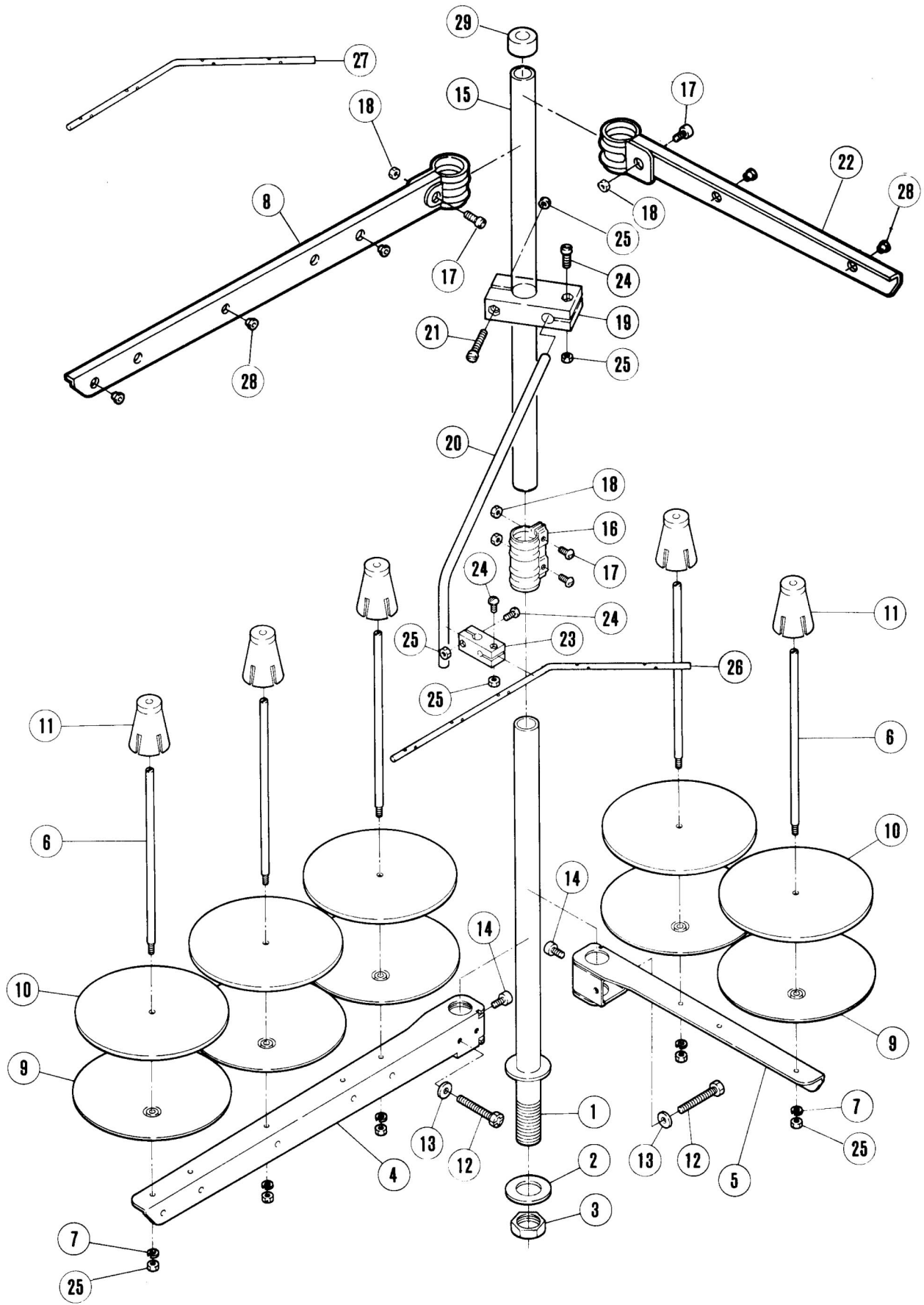
十七、油泵部件 Oil pump assemblies

序号 Ref. No.	件号 Part NO.	参考件号 Ref. Part. No.	名称	Description	数量 Amt.
1	3012000100	255040-91	油泵组件	oil pump assy	1
2	30102031	255024	油泵轴	shaft	1
3	30120004	255025	五星轮	rotor	1
4	30120007	255026	五星轮	rotor	1
5	30120005	255027	五星套	rotor	2
6	30120008	255028	油泵盖	cover	1
7	301S20011	7105	油泵螺钉	screw	2
8	S05006	7026	螺钉 M4×25	screw	2
9	30125003	255019	油泵蜗轮	worm wheel	1
10	S10002	4514	螺钉 M5×5	screw	2
11	S05004	4501	螺钉 M5×14	screw	2
12	301S30014		过油螺钉	joint screw	1
13	30101023	255000	油盘	oil reservoir	1
14	301S11015	5138B	堵油螺钉	screw	1
15	20528014	202287A	垫圈	washer	1
16	S05007	4504	螺钉 M8×20	screw	5
17	30122025	255001	油盘密封圈	o ring	1
18	20136001	206233	滤油器	filter element	1
19	301S30016	210200	螺钉	bracket/filter element	1
20	001010	206431	O型圈 38.7×3.55	o ring	1
21	300140	210201-SD	滤油器盖	cover	1
22	S01003	7021	螺钉 M4×12	screw	3
23	30131004	9A3002	提示说明	filter seal	1



十八、硅油盒装置部件 Silicon oil delice asscmblies

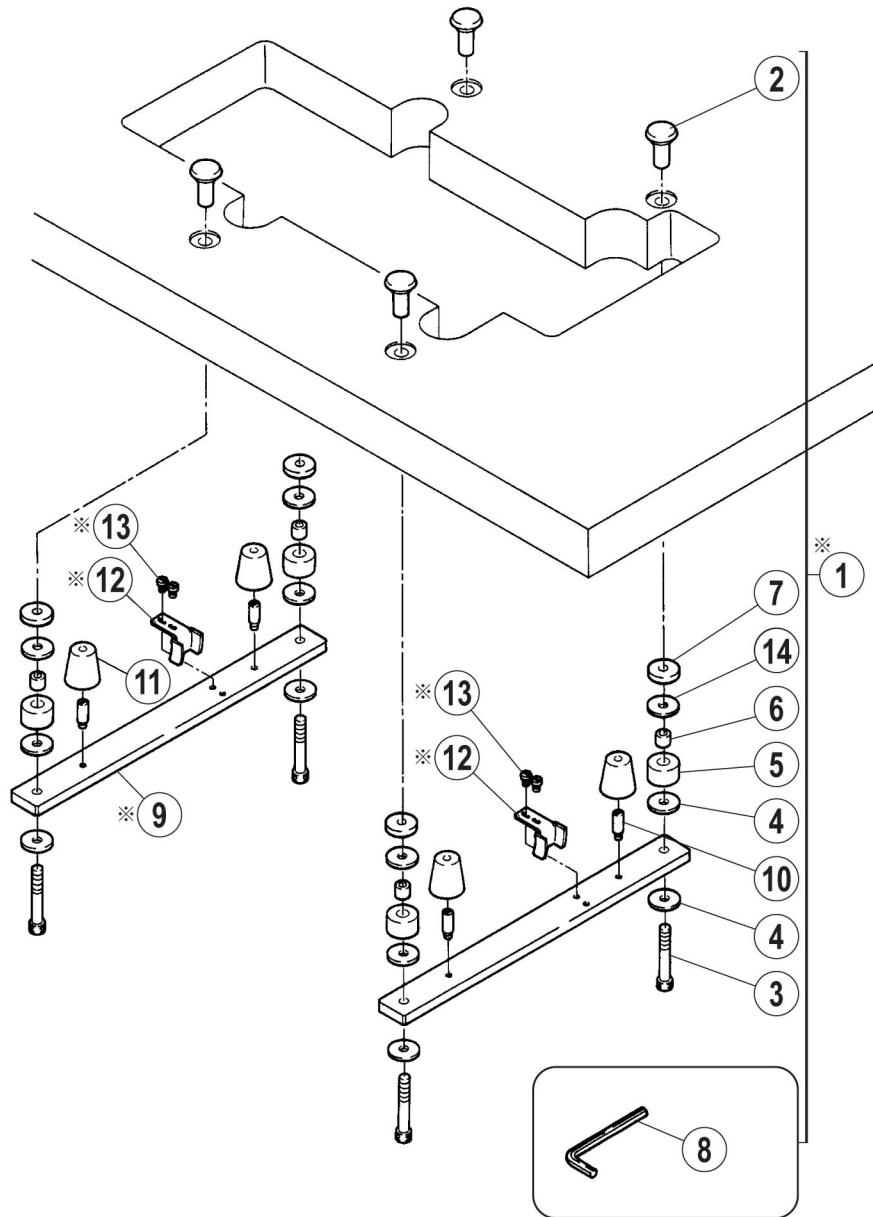
序号 Ref. No.	件号 Part NO.	参考件号 Ref. Part. No.	名称	Description	数量 Amt.
1	30101027	255013	机针冷却器	needle cooler (lower)	1
2	S01015	7010	螺钉 M3×5	screw	2
3	30123012	255014	油棉	felt	1
4	30126009	210766	销	pin	1
5	30121017	240117	Φ5×Φ7油管	tube	1
6	30127020	206115	油管压簧片	bracket	1
7	S01004	7019	螺钉 M4×8	screw	1
8	30123015	202175	油线	oil wick	1
9	30129006	202199	油管卡簧 (大)	clamp	2
10	30101026	255015	下硅油盒	silicone oil reservoir(lower)	1
11	30122026	255016	下硅油盒盖	cap	1
12	S01005	7020	螺钉 M4×10	screw	1
13	3010102400	207065-9U	硅油盒组件	silicone oil reservoir(upper)assy	1
14	300141	207066-UD	上硅油盒 (喷漆)	silicone oil reservoir(upper)	1
15	30112040	207067-UD	硅油盒盖	cap	1
16	P03008	206781	销 2×6	pin	2
17	30123011	207068	硅油棉	felt	1
18	S01006	7009	螺钉 M3×4.5	screw	2
19	W01001	303448	垫圈 4	washer	1



十九、线架部件 Thread apool asscmlies

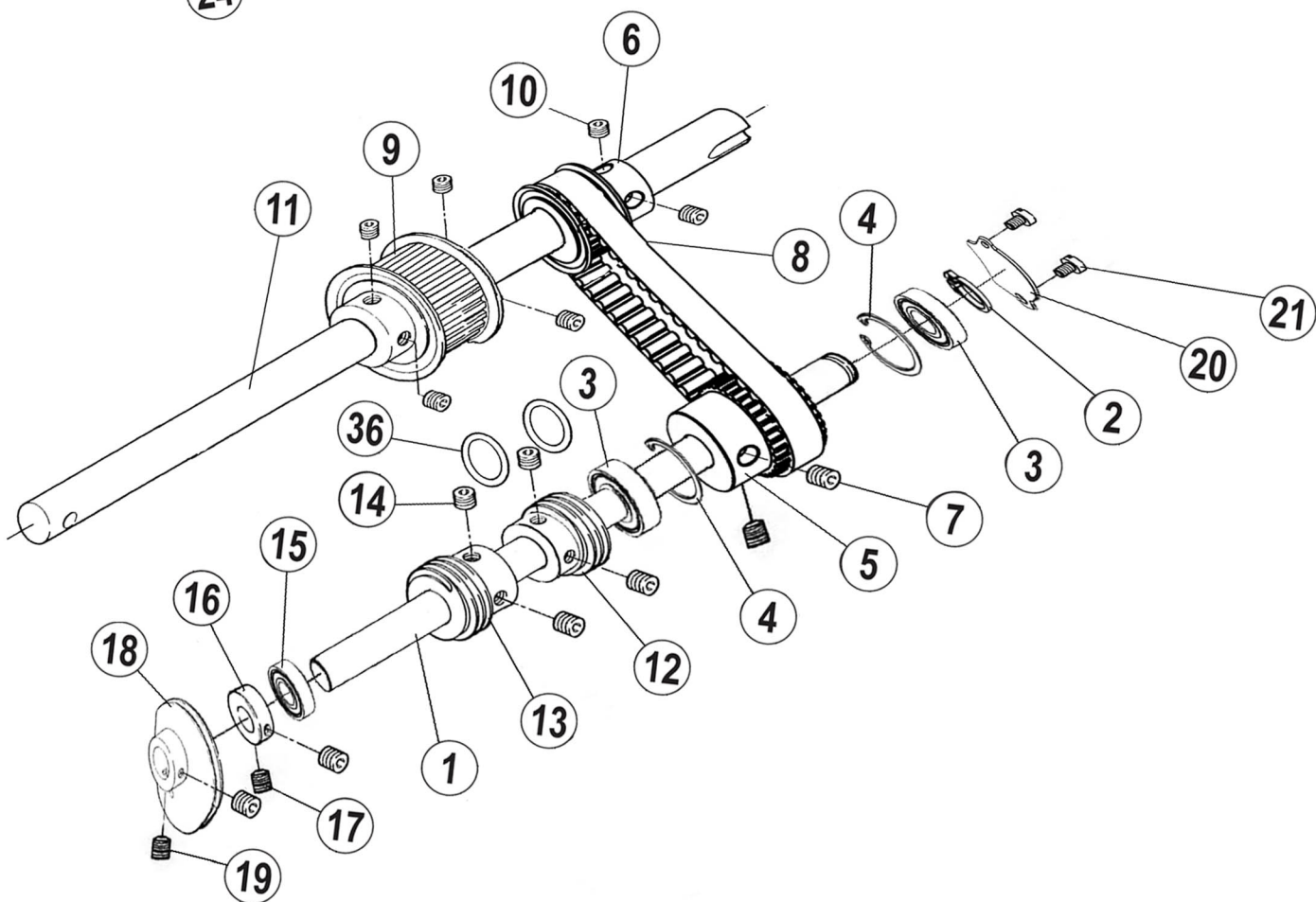
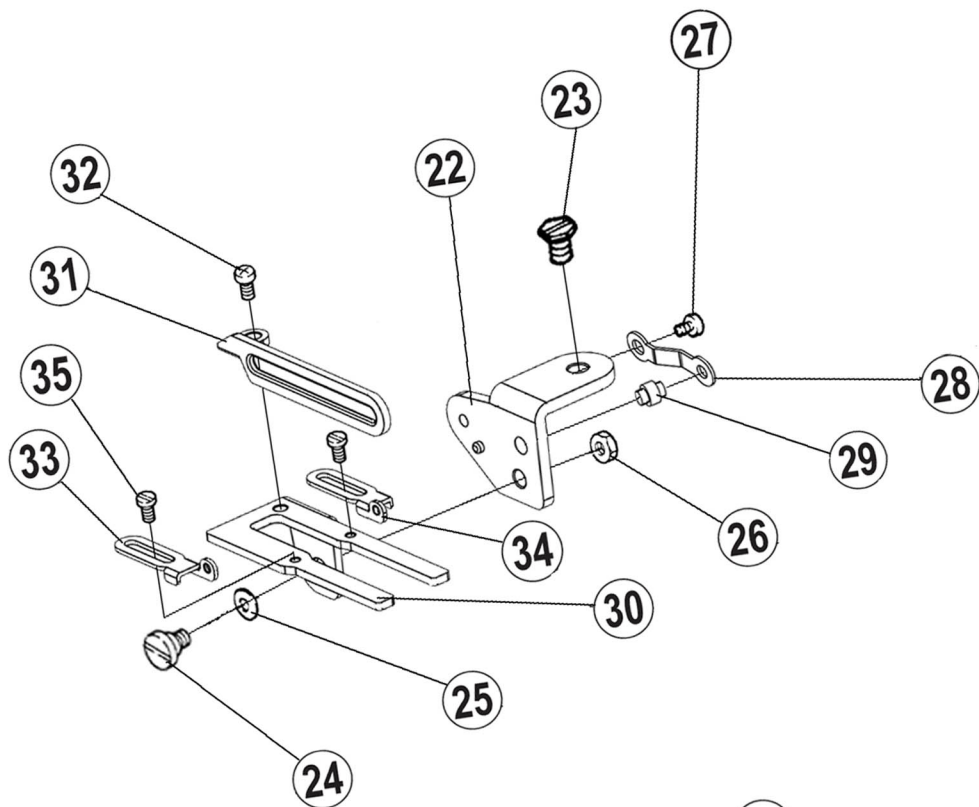
序号 Ref.No.	件号 Part NO.	参考件号 Ref.Part.No.	名称	Description	数量 Amt.
1	30102032	503-SA	线架下棒	thread bar(loer)	1
2	30128024	509	垫圈	washer	2
3	N02001	5476	螺母 M6×0.75	screw	1
4	30101028	505SA	长线架	bracket(3-spool)	1
5	30101029	505SA	短线架	bracket(3-spool)	1
6	30102033	380A	线棒	spool pin	5
7	W02002	201252	垫圈 4	washer	5
8	30101030	527-SA	长过线架	bracket(3-spool)	1
9	30111007	381-SA	托盘垫	spool tray	5
10	30123014	507	线托盘	cushon	5
11	30103044	382-SA	线固定套	spool retaining fin	5
12	L02004	7102	螺钉 M6×34	screw	2
13	W01003	512	垫圈 6	washer	2
14	S04001	4022	螺钉 M6×10	screw	2
15	30102034	502-SA	线架上棒	thread bar(upper)	1
16	30129005	504-SA	锁紧卡固	joint	1
17	S04002	4021	螺钉 M5×16	screw	4
18	N01004	4805	螺母 M5	nut	4
19	30111008	383-SA	棒架	bracket	1
20	30113018	384	导线棒	thread guide bar	1
21	S04003	4014	螺钉 M4×25	screw	1
22	30101031	527ASA	短过线架	bracket	1
23	30111009	233-SA	固定器	holder	1
24	S04004	4012	螺钉 M4×15	screw	3
25	N01005	4803	螺母 M4	nut	9
26	30113019	293A	过线棒	thread guide bar(5-spool)	1
27	30113034		过线棒	thread guide bar(6-spool)	1
28	30103045	506	过线套	thread guide	5
29	30122027	386	棒帽	rid cap	1

台板部件（放在附件内）
machine table mechanism (put in accessory)



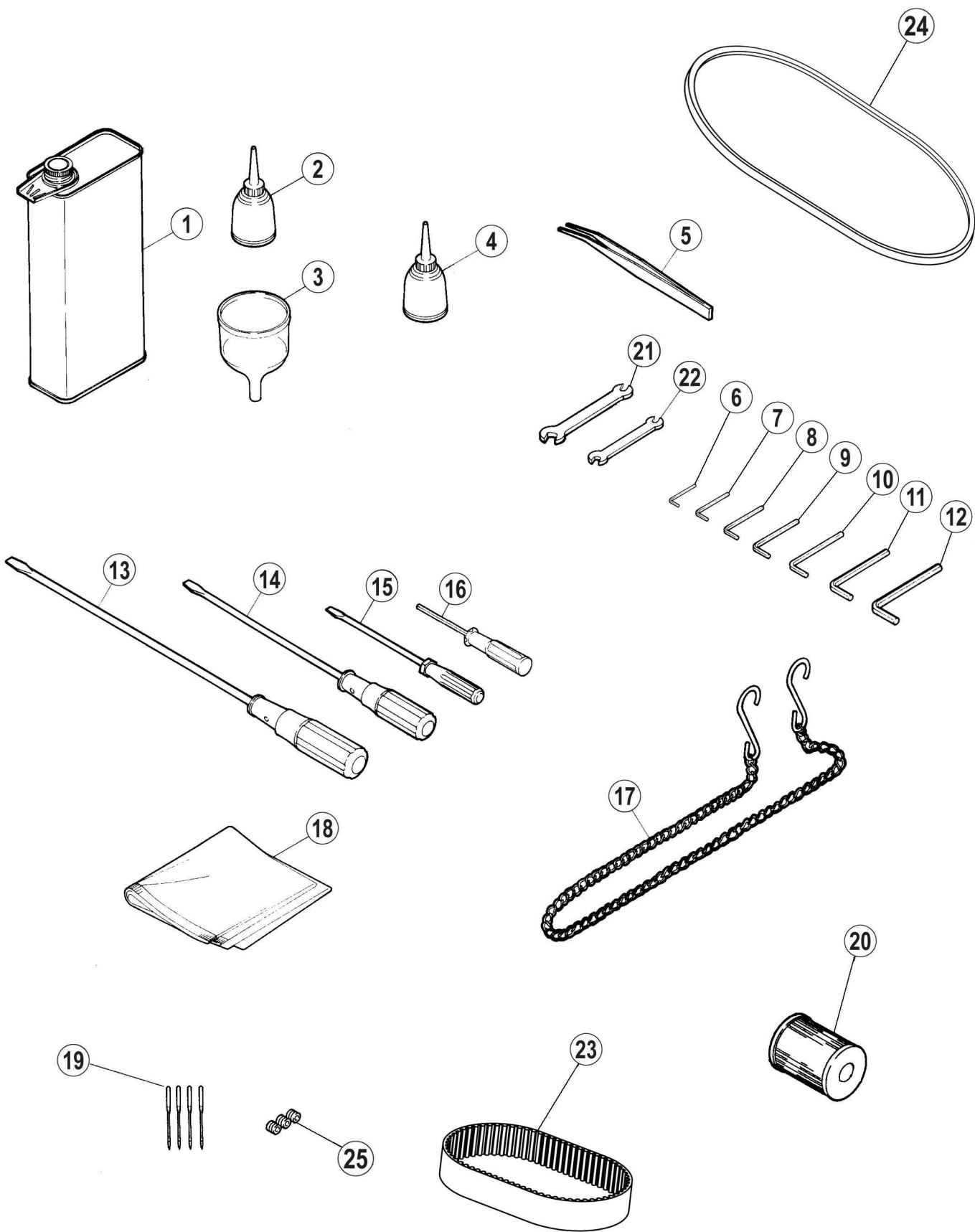
二十、油盘托板部件 Oil plate assemblies

序号 Ref. No.	件号 Part NO.	参考件号 Ref. Part. No.	名称	Description	数量 Amt.
1	3010103200	9048	安装螺钉 (一套)	screw(set)	1
2	301S16008	206336	托盘固定螺母	nut	4
3	301S30017	4512	托板内六角螺钉	bolt	4
4	20131029	206337	大垫圈	washer	8
5	20131030	205764	防振套	rubber cushion	4
6	30103080	205765	减振垫支撑套	spacer	4
7	30122031	205467	减震垫圈	spacer	4
8	20131056	272	内六角扳手 (6mm)	allen key/6mm	1
9	30101032	259000	油盘托板	rest board	2
10	301S30018	7093	螺钉	screw	4
11	30122029	206338	油盘减振垫	rubber cushion	4
12	30112041	206329	链条挡板	treadle chain guide	2
13	S01011	7027	螺钉 M5×10	screw	4
14	20131029	206337	大垫圈	washer	8



二十一、打线凸轮外移部件(8568W) parts

序号 Ref. No.	件号 Part NO.	参考件号 Ref. Part. No.	名称	Description	数量 Amt.
1	30102065		打线凸轮轴	shaft	1
2	H03004		挡圈 12	ring	1
3	B04017		轴承 6001Z	bracket	2
4	H01011		挡圈 28	ring	2
5	30125004		小同步带轮1	small gear1	1
6	30125005		小同步带轮2	small gear2	1
7	S10003		螺钉 M6×0.75×5	screw	4
8	30135005		小同步带	small timing belt	1
9	30125006		下轴同步带轮	lower gear	1
10	S10002		螺钉	screw	2
11	30102066		下轴	crankshaft	1
12	30103075		凸轮轴右回油套	recycle sleeve (right)	1
13	30103076		凸轮轴左回油套	recycle sleeve (left)	1
14	S10014		螺钉 M5×4	screw	4
15	B06004		轴承 6801RS	bracket	1
16	20108002		挡圈	washer	1
17	201S15003		挡圈螺钉	screw	2
18	30103071		打线凸轮	thread takeup	1
19	S10002		螺钉 M5×5	screw	2
20	30108010		轴承挡圈	set plate	1
21	S01004		螺钉 M4×7.8	screw	2
22	30112073		打线架支座	bracket	1
23	L02003		螺钉 M4×7	screw	1
24	301S20015		打线架连接螺钉	screw	1
25	20128027		垫圈	washer	1
26	201S16003		螺母	nut	1
27	201S11011		铰链簧螺钉	screw	1
28	20112053		铰链弹簧	flat spring	1
29	20126020		铰链销	pin	1
30	30112074		打线架	bracket	1
31	30312011		打线片	thread guide	1
32	303S11012		打线片螺钉	screw	1
33	30313019		过线片(左)	thread guide (left)	1
34	30313020		过线片(右)	thread guide (right)	1
35	S01006		螺钉 M3×4.5	screw	2
36	001026		O形圈	o ring	2



二十二、附件部件 Accessories assemblies

序号 Ref.No.	件号 Part NO.	参考件号 Ref.Part.No.	名称	Description	数量 Amt.
1	20131037		油壶 (大)	oil container	1
2	20131038		硅油壶	oiler	1
3	20131039		漏斗	oil funnel	1
4	20131038		硅油	container silicone	1
5	20131051		镊子	tweezers	1
6	30131007		内六角扳手 (1.5mm)	allen key/1.5mm	1
7	20131046		内六角扳手 (2mm)	allen key/2mm	1
8	30131010		内六角扳手 (3mm)	allen key/3mm	1
9	30131012		内六角扳手 (4mm)	allen key/4mm	1
10	20131047		内六角扳手 (5mm)	allen key/5mm	1
11	20131056		内六角扳手 (6mm)	allen key/6mm	1
12	30131009		内六角扳手 (8mm)	allen key/8m	1
13	10131002		螺丝刀 (大)	screwdriver (large)	1
14	10131003		螺丝刀 (中)	screwdriver (medium)	1
15	10131004		螺丝刀 (小)	screwdriver (small)	1
16	20131044		内六角扳手 (1.5mm直柄)	allen key driver(1.5mm)	1
17	30131018		链条	chain	1
18	10131005		机头罩	dust cover	1
19	30117001		机针	needle	4
20	20136001		滤油器	filter element	1
21	30131005		扳手 (7mm~9mm)	wrench/ (7mm-9mm)	1
22	30131006		扳手 (8mm~10mm)	wrench/ (8mm-10mm)	1
23	30135005		小同步带	small timing belt	1
24	30135004		皮带	Leather belt	1
25	S10005		螺钉 M3×3	screw	3

缝纫组合件 表(1)

GAUGE PARTS LIST (1)



机型	缝样	针古	针板	主送布牙	差动送布牙	压脚	弯针	护针(前)	护针(后)	喂针	机针
MACHINE TYPE /SPEC.	GAUGE	NEEDLE HOLDER	NEEDLE PLATE	MAIN FEED DOG	DIFF. FEED DOG	PRESSER FOOT	LOOPER	NEEDLE GUARD		SPREADER	NEEDLE
								FRONT	REAR		
8568-01GB	240	30134006	30115016	30114012	30114011	30116020	3011700900	30117002	30117005	30117005	30117001(11#)
	248	30134008	30115009			30116009					
	256			3011400700							
	264										
	348	30134007	30115015	30114012	30114011	30116019					
	356	30134001	30115002	3011400700		3011601300					3011700900
	364	30134002	30115003			3011601400					
8568-02BB	240	30134006	30115010	30114013	30114010	30116015	3011700900	30117002	30117005	30117005	30117001(11#)
	248	30134008	30115012			30116018					
	256		30115020	30114006	30114005						
	264		30115021								
	348	30134007		30114009	30114008						
	356	30134001	30115006	30114006	30114005	30116005					3011700900
	364	30134002	30115007								

缝纫组合件 表 (2)

GAUGE PARTS LIST (2)



机型 MACHINE TYPE /SPEC.	缝样 GAUGE	针舌 NEEDLE HOLDER	针板 NEEDLE PLATE	主送布牙 MAIN FEED DOG	差动送布牙 DIFF. FEED DOG	压脚 PRESSER FOOT	弯针 LOOPER	护针 (前)		护针 (后)		喂针 SPREADER	机针 NEEDLE
								FRONT	REAR	FRONT	REAR		
8568-03DB	240	30134006	30115016	30114012	30114011	30116020	3011700900	30117002	30117005	30117005	30117001 (11#)		
	248	30134008	30115009			30116009							
	256			3011400700									
	264												
	348	30134007	30115015	30114012	30114011	30116019							
	356	30134001	30115002	3011400700		3011601300						3011700900	
	364	30134002	30115003			3011601400							
8568-05CB	356	30134001	30115004	30114004	30114003	30116003	3011700900	30117002	30117005	30117001 (11#)			
	364	30134002	30115005			30116004							
8568-07CB	356	30134001	30115002	3011400700		30116003	3011700900	30117002	30117005	30117001 (11#)			
	364	30134002	30115003			30116004							
8568-08AC	240	30134006	30115016	30114012	30114011	30116020	3011700900	30117002	30117005	30117001 (11#)			
	248	30134008	30115009			30116009							
	256			3011400700									
	264												
	348	30134007	30115015	30114012	30114011	30116019							
	356	30134001	30115004	3011400700		3011601300					3011700900		
	364	30134002	30115005			3011601300							
8568-21BB	356	30134003	30115008	3011400700		30116007	3011700900	30117002	30117005	30117001 (11#)			
	364	30134005	30115011			30116017							