

## 工业缝纫机安全使用注意事项：

- 1.必须遵守基本措施；
- 2.必须经过专业培训，对缝纫机设备性能、
- 3.使用前应检查所有安全装置；
- 4.在安装机针、更换机针、压脚、针板、送布牙、弯针、旋梭或修理时，应立即关闭电源；
- 5.离开缝纫机或工作场所时应关闭电源；
- 6.使用离合马达时，要等待马达完全停止后再进行；
- 7.缝纫机及附属装置使用的机油，润滑油等液体流入眼睛或沾到皮肤上应立即清洗；
- 8.禁止用手触摸缝纫机通电时的零件或装置；
- 9.有关工业用平缝机与包缝机的修理、改造、主要机构的调整由专门技术人员来进行；
- 10.一般的维修保养由专人进行；
- 11.在电气方面的修理应在电气技术员的监督和指导下进行；
- 12.缝纫机使用期间应定期清扫；
- 13.为了正常安全运转，应安装地线，同时应在不受高频焊接机等强噪声源影响的环境下使用；
- 14.电源插头应由专人安装；
- 15.工业用平缝机、包缝机在指定用途以外不能使用。

## 环保要求：

- 1、使用过程中产生的废油及其他废弃物请根据当地环保的要求进行合理的处置。
- 2、请在使用完后及时关闭电源，减少电能的消耗。
- 3、请在说明书要求的电压及环境下使用，已延长产品的使用寿命，减少废弃物的产生。
- 4、机器报废后请勿将本机器及其附件作为普通的生活垃圾处理。请遵守本设备及其附件处理的本地法令，并支持回收行动。

## Notes for safe use of industrial sewing machines :

1. Basic measures must be observed.
2. Pass the specialized training and master sewing machine equipment performance.
3. All safety devices should be checked before use.
4. When installing needle, and changing needle, presser foot, plate, feed dog , bent needle, hook or repairing, the power supply should be turned off immediately.
5. Power should be turned off when leaving the sewing machine or workplace.
6. When using the clutch motor, please wait until the motor stops completely.
7. The machine oil and other liquids used in sewing machines and ancillary devices should be cleaned immediately when they are put into eyes or touch skin.
8. Do not touch the parts or devices when the machine is powered by hand.
9. The repair, renovation and adjustment of the main mechanisms of the relevant industrial sewing machines and overseers shall be carried out by specialized technicians.
10. General maintenance is carried out by specially-assigned persons.
11. Electrical repairs should be performed under the supervision and direction of the electrical technician.
12. The machine should be cleaned regularly during operation.
13. In order to operate normally and safely, ground lines should be installed, and they should be used in an environment free from strong noise sources such as high frequency welding machine.
14. Power plug should be installed by specially-assigned person.
15. Industrial lockstitch sewing machine and overlock sewing machine can not be used except the designated use.

## Environmental requirements :

Please dispose the waste oil and other waste products properly according to local environmental protection requirements.

Please turn off the power after use to reduce power consumption.

Please use under the voltage and environment required in the manual to extend the service life of the product and reduce waste generation.

- 4、 Do not treat the machine and its accessories as ordinary household garbage after being scrapped. Please comply with local laws governing the disposal of the equipment and its accessories and support recycling operations.

# 使用说明书/Manual book

目录 Contents	页 Page
1 安全 Safety	2
2 特点及用途 Special features and applications	3
3 技术参数 Specifications	4
4 控制器 Controls	4
4.01 控制开关 Controls On/off switch	4
4.02 机头开关 Keys on the machine head	5
4.03 脚踏板 Pedal	5
4.04 手动抬压脚 Lever for lifting roller presser	6
4.05 膝控杠杆 Knee lever	6
4.06 针距调节按钮 Key for setting stitch length	7
4.07 轮前转向 Swing out roller presser	7
5 安装	8
5.01 调整台板高度 Adjusting the table-top height	8
5.02 安装线架 Fitting the reel stand	9
6 调试 Commissioning	9
6.01 安装机针 Inserting the needle	10
6.02 绕底线、调节缝线张力 Winding the bobbin thread, adjusting the thread tension	11
6.03 拆卸/安装梭壳 Removing/Inserting the bobbin case	12
6.04 梭壳穿线/调整梭线张力 Threading the bobbin case/Adjusting the bobbin thread tension	13
6.05 单针穿线及调节张力 Threading the needle thread and regulating its tension (Single Needle)	14
6.06 双针穿线及调节张力 Threading the needle thread and regulating its tension (Double Needle)	16
6.07 针距的调节 Setting the stitch length	17
7 维护和保养 Care and maintenance	18
7.01 维修和维护周期 Servicing and maintenance intervals	18
7.02 清理 Cleaning	18
7.03 锁头槽的润滑 Oiling the hook	19
7.04 梭头的润滑注油 Oil bowl for hook lubrication	20
7.05 传动齿轮的润滑 Lubricating the bevel gears	20

## 1 安全 Safety

- 机器应该由受过专业训练或具有足够操作经验者在完全阅读和理解本说明书后操作。
- This machine may only be operated by adequately trained operators and only after having completely read and understood the Instruction Manual!
- 机器不能在没有安全装置下操作，必须遵循有关操作的所有安全规定。
- This machine may only be used for the purpose for which it is intended and may not be operated without its safety devices. All safety regulations relevant to its operation are to be adhered to.
- 当换缝纫零件（如机针、轮钱、针板和梭仔）、穿线、离开机器后无人操作或者在维修保养时，应该关掉转换开关或拔掉电源插头。
- When exchanging sewing tools (e.g. needle, roller presser, needle plate and bobbin), when threading the machine, when leaving the machine unattended and during maintenance work, the machine is to be separated from the power supply by switching off the On/Off switch or by removing the plug from the mains!
- 日常维护工作应由受过训练的人员进行。
- Everyday maintenance work is only to be carried out by appropriately trained personnel!
- 维修和特殊的维护工作只能由合格的服务人员或受过专业训练的人员进行。
- Repairs and special maintenance work may only be carried out by qualified service staff or appropriately trained personnel!
- 电器设备操作只能由受过相关训练的人员操作。
- Work on electrical equipment may only be carried out by appropriately trained personnel!
- 不允许在带有电压的零件和装置上工作。
- Work is not permitted on parts and equipment which are connected to the power supply.

- 必须在遵守所有相关的安全规定的前提下才能修改和变更机器。
- Modifications and alterations to the machine may only be carried out under observance of all the relevant safety regulations!
- 在维修工作中只允许使用我们批准使用的备件，需要明确指出的是，所有不是由我们供货的备件和附件都未经我们检查，也没有被我们批准使用。装入和/或使用这样的产品可能会对机器的设计特性造成负面影响，对由于使用非原装零件造成的损失，我们不承担任何责任。
- Only spare parts which have been approved by us are to be used for repairs! We expressly point out that any replacement parts or accessories which are not supplied by us have not been tested and approved by us. The installation and/or use of any such products can lead to negative changes in the structural characteristics of the machine. We are not liable for any damage which may be caused by non-original parts.

## 2 特点及用途 Special features and applications

单/双针高速罗拉车（自动剪线、自动回缝、自动抬压脚）用于制鞋业，特别适用于缝制高档皮鞋、布袋、手套、帽子等弧形中厚料物品。

Single/Double Needle Post-bed Sewing Machine (Thread Trimming、Backstitch Sewing、Presser Foot) is used for shoe manufacturing, It is especially available for sewing on medium heavy weight articles with arc-shaped, such as superior leather shoes, hand bags, gloves, caps etc, it ensures you easy daily maintenance.



任何没有被制造商确认的机器使用都是不合理的，制造商不承担任何使用不当造成的机器损坏。合理的使用机器应遵循制造商确认的所有操作，包括调试、维护和维修措施。

Any and all uses of this machine which have not been approved of by the manufacturer are considered to be inappropriate! The manufacturer cannot be held liable for any damage caused by the inappropriate use of the machine! The appropriate use of the machine includes the observance of all operational, adjustment, maintenance and repair measures required by the manufacturer!

### 3 技术参数 Specifications

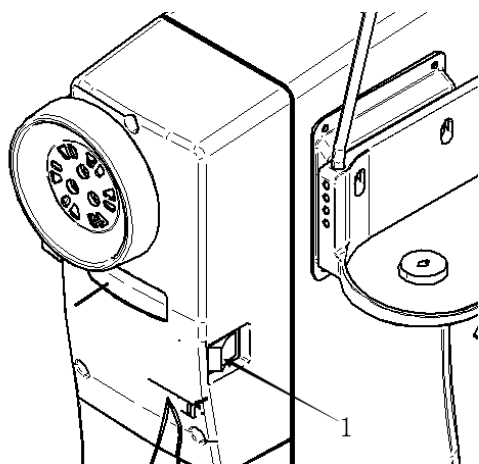
机针类型 Stitch type: ..... DP5X16 (#11-#20)  
最大缝目 Max stitch length 7 mm/单针 Single Needle 5mm/双针 Double Needle  
最高缝纫速度 S.P.M.....2000 r/min  
噪音 Noise data..... 73db ( $\pm 2.5$ db)  
净重 N.W ..... 70KG  
毛重 G.W ..... 76KG

机头尺寸 Sewing head dimensions:

总长 Length..... 615 mm  
总宽 Width ..... 180 mm  
高度 (台板以上) Height (above table) ..... 500 mm  
台板尺寸 Bedplate dimensions..... 518 x 178 mm

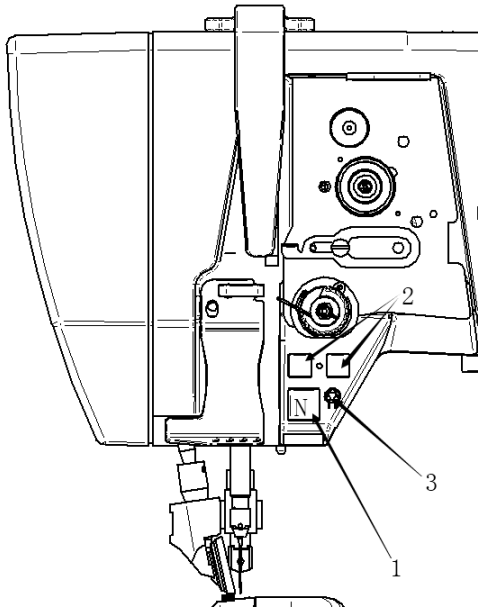
### 4 控制器 Controls

#### 4.01 控制开关 Controls On/off switch



- 通过 1 键来接通或关闭电源。
- Through the key 1 to switch on or off the power

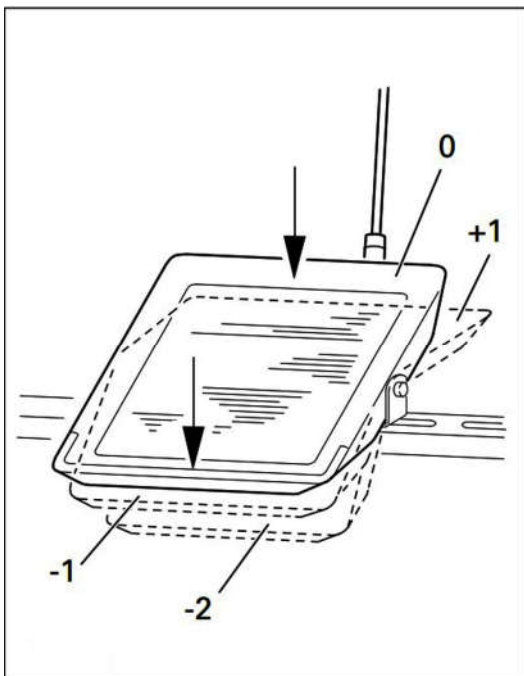
#### 4.02 机头开关 Keys on the machine head



- 机器工作时，按下按钮 1，机器倒针。
- 按钮 2 用于进行参数设置

- As long as key 1 is pressed during sewing, the machine sews in reverse.
- Keys 2 can be used for parameter settings

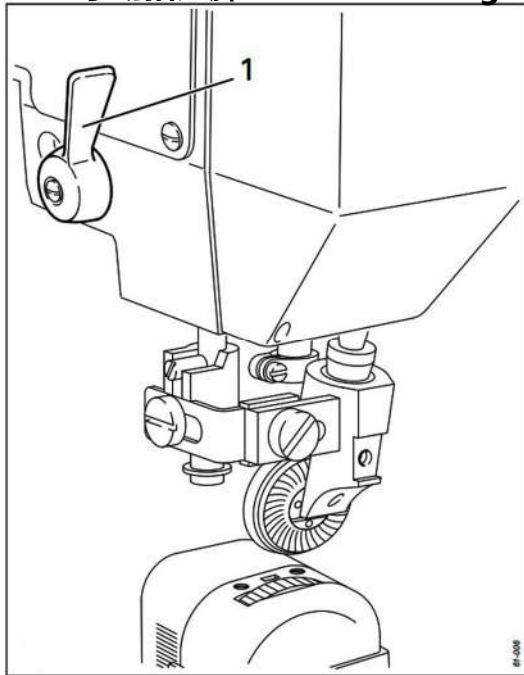
#### 4.03 脚踏板 Pedal



- 0 = 中间位 ( 机器不工作 )
- +1 = 机器处于缝制状态
- 1 = 抬压脚
- 2 = 剪线，单段缝制结束

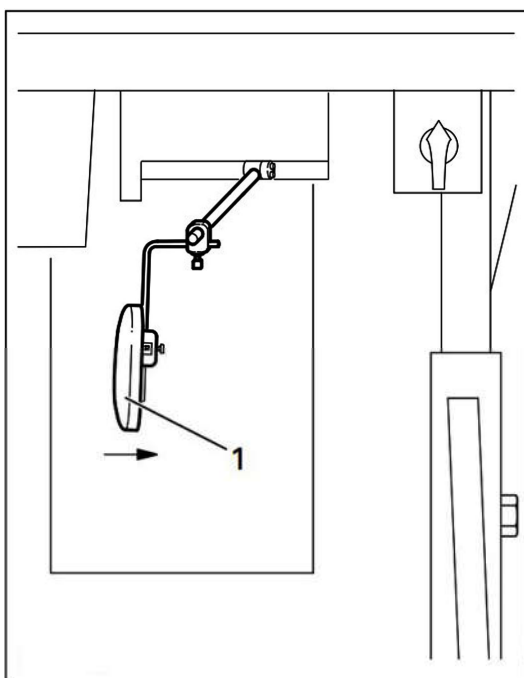
- 0 = Neutral position
- +1 = Sewing
- 1 = Raise roller presser
- 2 = Trim sewing threads

#### 4.04 手动抬压脚 Lever for lifting roller presser



- 通过压棒提杆 1 可抬起轮前组件。
- The roller presser can be raised by turning lever 1.

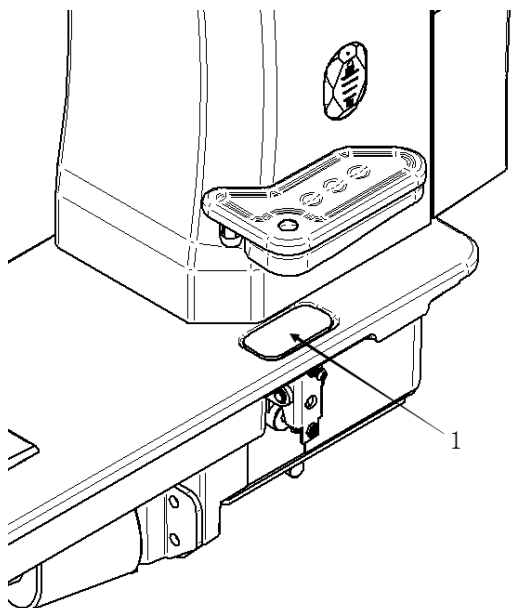
#### 4.05 膝控杠杆 Knee lever



- 按箭头所示方向移动膝控杠杆 1 可抬起轮前组件。
- The roller presser can be raised by pressing the knee lever 1 in the direction of the arrow.



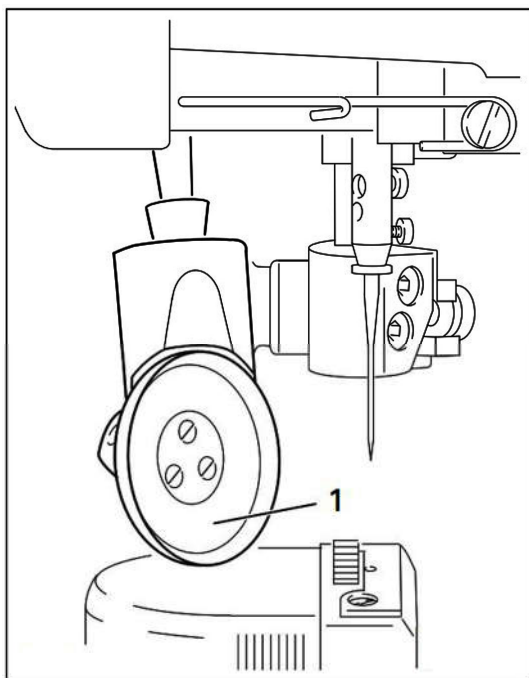
#### 4.06 针距调节按钮 Key for setting stitch length



•按下按钮 1 不放，转动皮带轮可调节针距。

•The stitch length is set by pressing key 1 and turning the balance wheel.

#### 4.07 轮前转向 Swing out roller presser



•当轮前抬起时，可以推动轮前使之旋转。

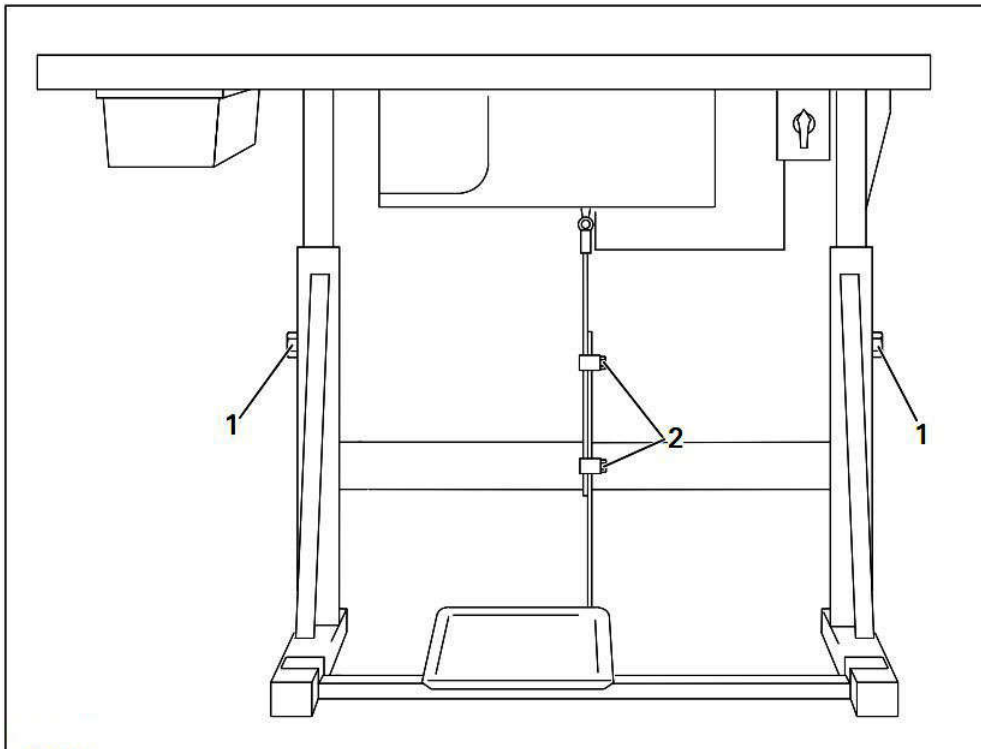
•When the roller presser is raised, it can be swung out by pulling it lightly down-wards.

## 5 安装 Installation



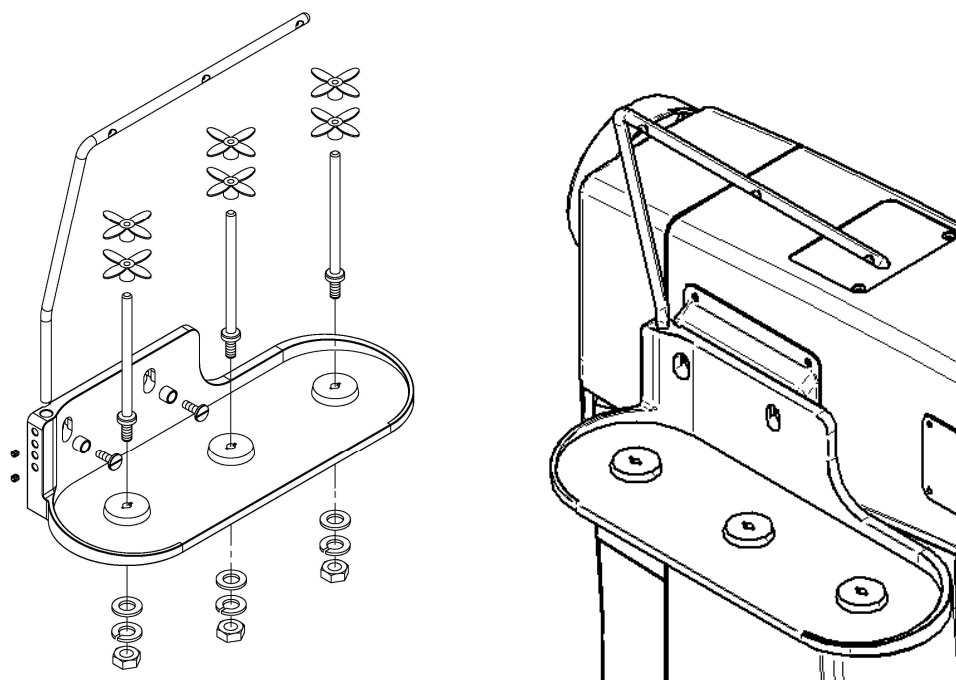
为了运输方便，包装时要求尽可能的降低台板。以下描述如何调整台板高度。  
The method of packaging used requires that the table top be lowered for transport. The following is a description of how to adjust the height of the table top.

### 5.01 调整台板高度 Adjusting the table-top height



- 松开螺丝 1 和螺丝 2.按需要调整台板高度。
- 锁紧螺丝 1。
- 调整脚踏板至您可以舒适工作的位置，然后锁紧螺丝 2。
- Loosen screws 1 and 2 and set the desired table-top height
- Tighten screws 1 well.
- Adjust the position of the pedal so that you can operate it comfortably and tighten screw 2.

## 5.02 安装线架 Fitting the reel stand



- 如图所示安装线架。
- Fit the reel stand as shown.

## 6 调试 Commissioning



本说明书中的所有指令和条例必须遵循，特别要注意安全说明。

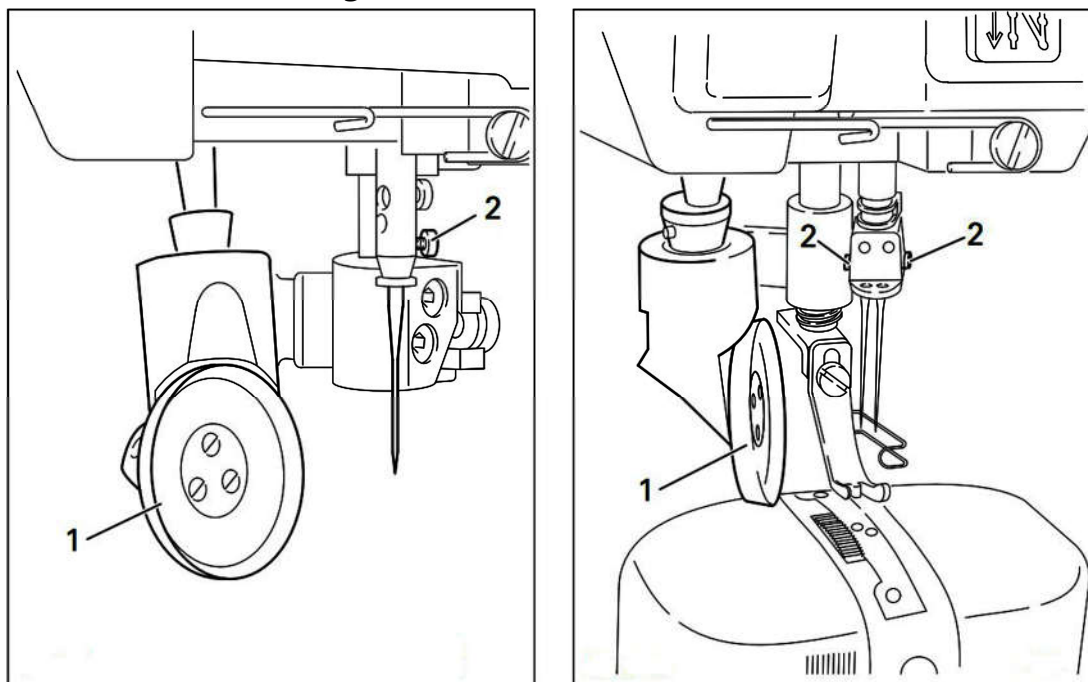
All instructions and regulations in this instruction manual must be observed. Special attention must be paid to all safety regulations!



所有安装工作必须由受过相关培训的人员进行。安装时关掉开关，脱离电压，或拔掉电源插座上的插头。

All setting-up work must only be carried out by personnel with the appropriate training. For all setting-up work the machine must be disconnected from its power supply by turning off the on/off switch, or removing the plug from the electric power socket.

## 6.01 安装机针 Inserting the needle



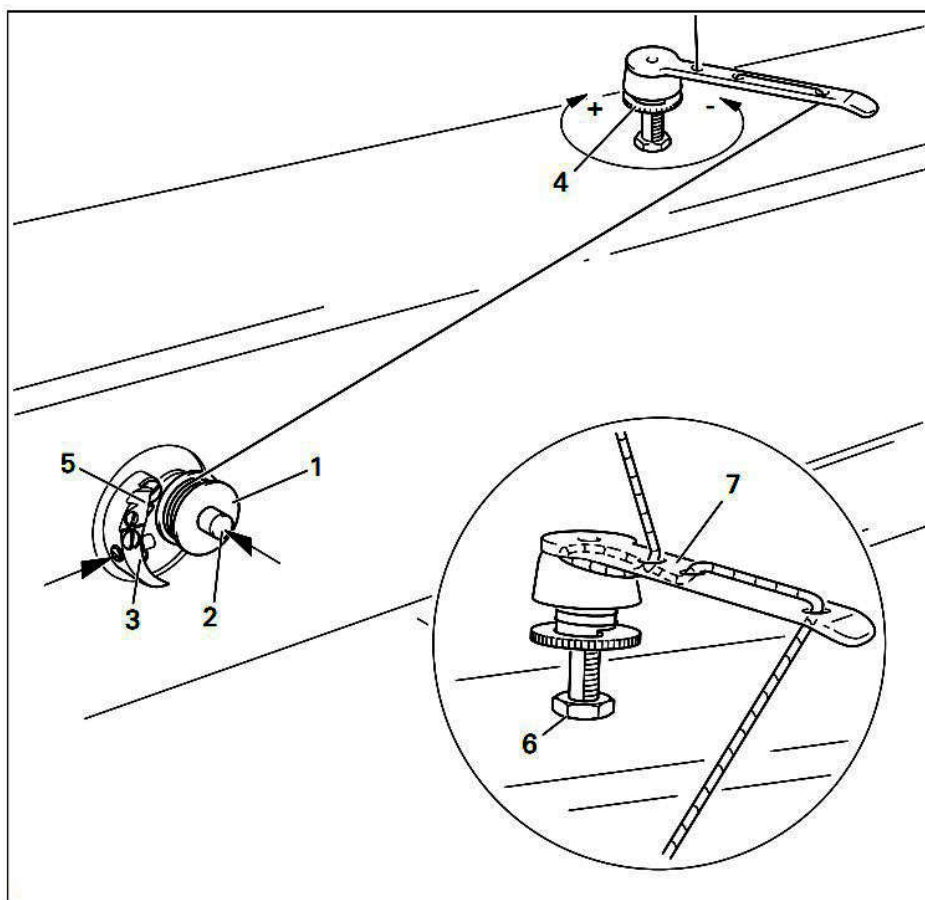
关掉机器，机器的意外启动可能会对您造成受伤的危险。

Switch off the machine!

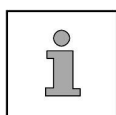
Danger of injury due to unintentional starting of the machine!

- 提升压脚 1 且向外旋转。
- 松掉螺丝 2，将针插入最深处。长沟槽必须面向左（单针）。
- 松掉螺丝 2，将针插入最深处，左针的长沟槽向右，右针的长沟槽向左（双针）。
- 锁紧螺丝 2，压脚转向至原位。
- Raise the roller presser 1 and swing it out.
- Loosen screw 2 and insert the needle as far as possible. The long groove must face to the left ( Single Needle ) .
- Loosen screws 2 and insert the needles as far as possible. the long groove of the left needle is facing right, and that of the right needle is facing left ( Double Needle ) .
- Tighten screws 2 and swing roller presser 1 back into position.

## 6.02 绕底线，调节缝线张力 Winding the bobbin thread, adjusting the thread tension



- 安装空梭子 1 至梭子轴 2 上。
- 按图穿线且逆时针旋转梭子几圈。
- 按下梭子轴 2 和顶杆 3 接通打线器。
- Place an empty bobbin 1 onto bobbin shaft 2.
- Thread the bobbin in accordance with the pictures and wind it anti-clockwise around bobbin 1 a few times.
- Switch on the bobbin winder while at the same time pressing bobbin winder spindle 2 and lever 3.

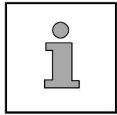


机器运转时梭子会自动绕满。

The bobbin fills up during sewing.

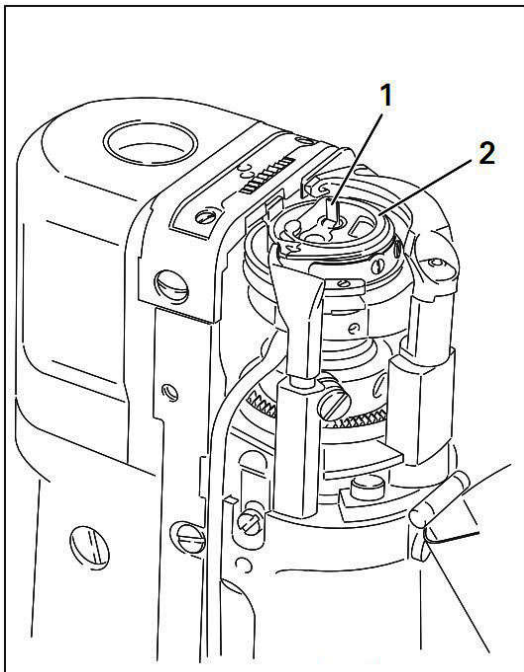
- 梭子 1 上线的张力可以通过滚花螺丝 4 调节。
- 梭子上的线绕满时会自动停止绕线。
- 拿下绕满线的梭子 1，通过切刀 5 剪线。

- The tension of the thread on bobbin 1 can be adjusted with knurled screw 4.
- The bobbin winder stops automatically when bobbin 1 is full.
- Remove the filled bobbin 1 and cut the thread on knife 5.



如果绕线不均匀，松掉螺丝 6 根据需要旋转绕线柄 7，调整好后锁紧螺丝 6。  
If the thread is wound unevenly, loosen nut 6 and turn thread guide 7 accordingly. Retighten nut 6 after the adjustment.

### 6.03 拆卸/安装梭壳 Removing/Inserting the bobbin case



关掉机器，机器的意外启动可能会对您造成伤害。

Switch the machine off! Danger of injury if the machine is started accidentally!

拆卸梭壳：

- 打开大斧盖
- 拔起闭锁 1 取出梭壳 2.

Removing the bobbin case:

- Open the post cap.
- Raise latch 1 and remove bobbin case 2.

安装梭壳：

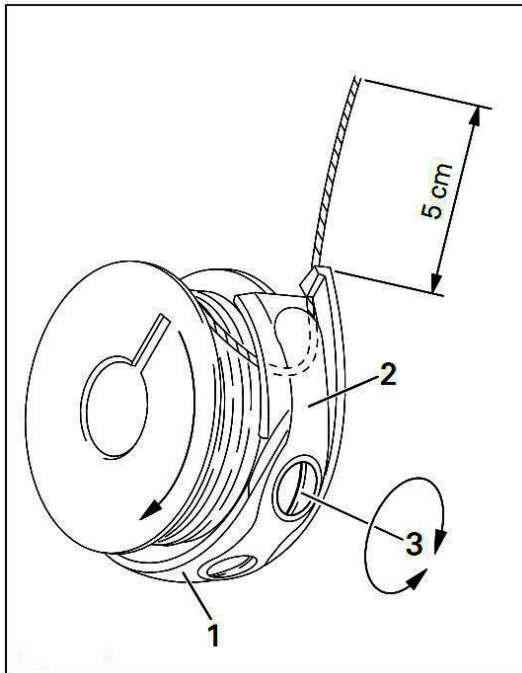
- 放入梭壳 2.
- 按下闭锁，关上大斧盖。

Inserting the bobbin case:

- Insert bobbin case 2.
- Close the latch and close the post cap.

## 6.04 梭壳穿线/调整梭线张力

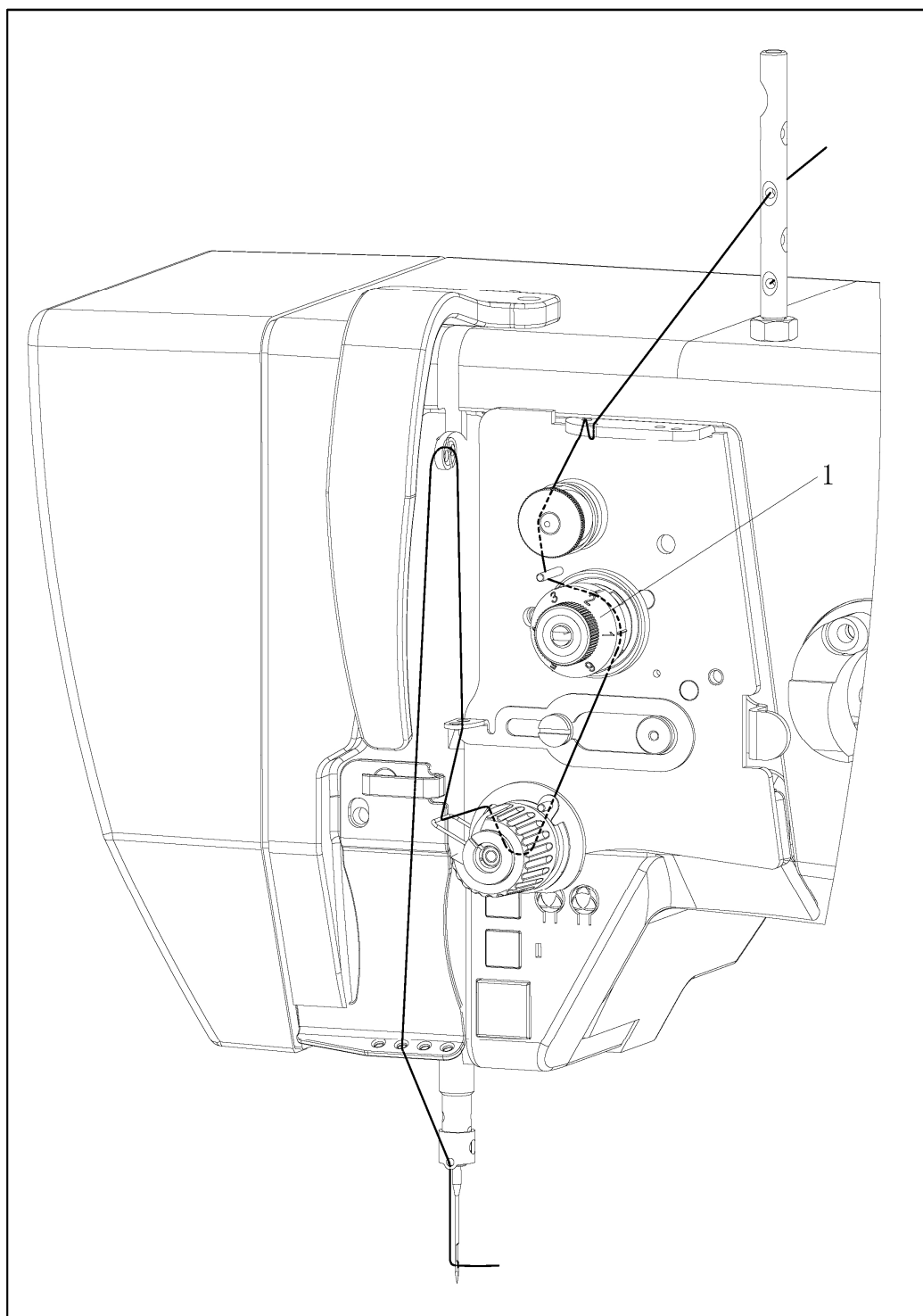
### Threading the bobbin case/Adjusting the bobbin thread tension



- 装入梭子至梭壳 1 内。
- 线穿过弹板 2 下面的槽内。
- 线穿过凹口。
- 通过旋转螺丝 3 调整线的张力。
- Insert the bobbin into the bobbin case 1.
- Pass the thread through the slot under spring 2.
- Pass the thread through the notch.
- Adjust the thread tension by turning screw 3.

## 6.05 单针穿线及调节张力

### Threading the needle thread and regulating its tension ( single needle)



关掉机器，机器的意外启动可能会对您造成伤害。

Switch the machine off!

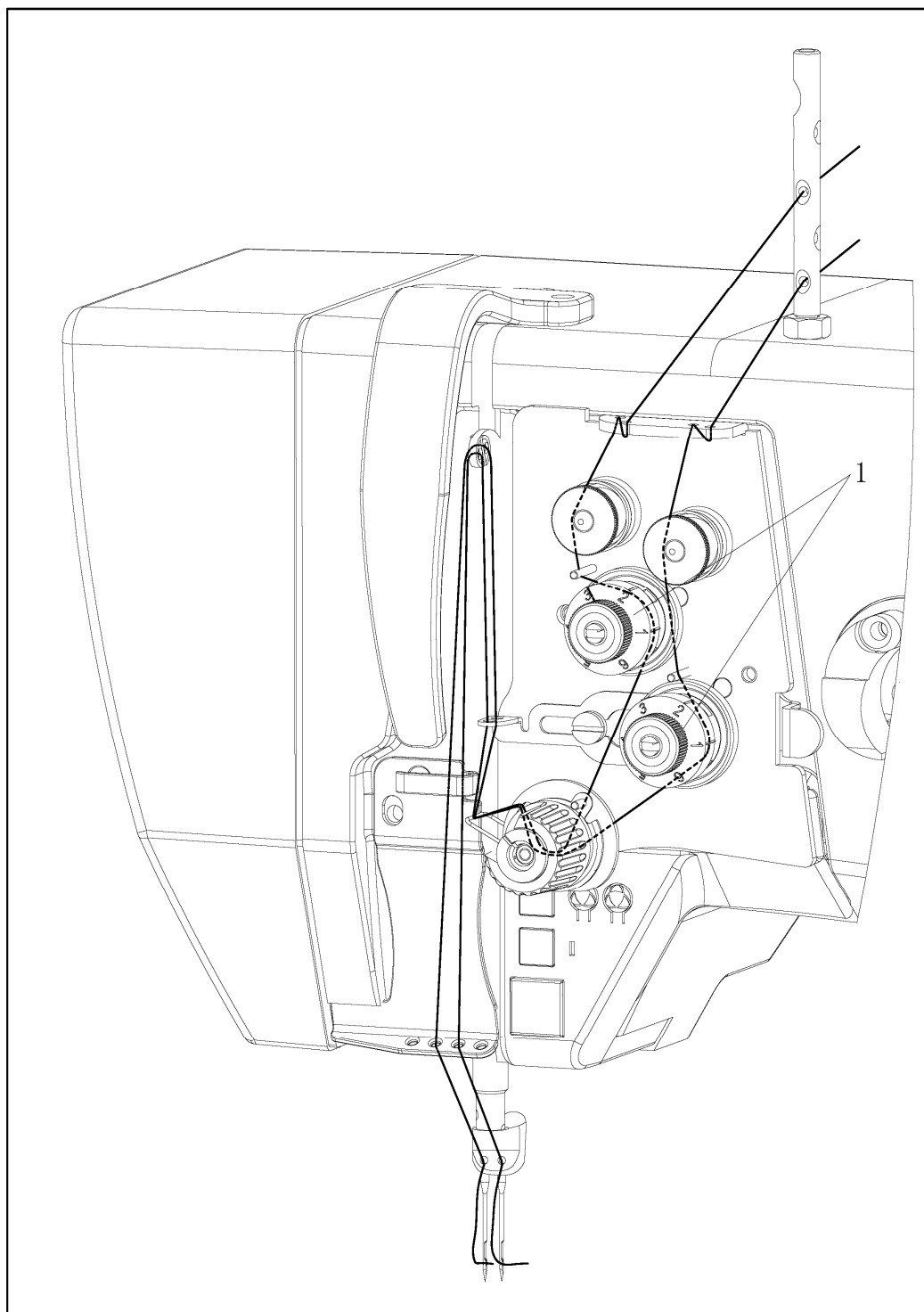
Danger of injury if the machine is started accidentally!



- 如图所示穿线
- 穿线方向为从左到右。
- 通过滚花螺丝 1 可以调节线的张力。
- Thread the needle thread as shown.
- The needle is threaded from the left to the right.
- Adjust the needle thread tension by turning milled screw 1.

## 6.06 双针穿线及调节张力

### Threading the needle thread and regulating its tension( double needle)



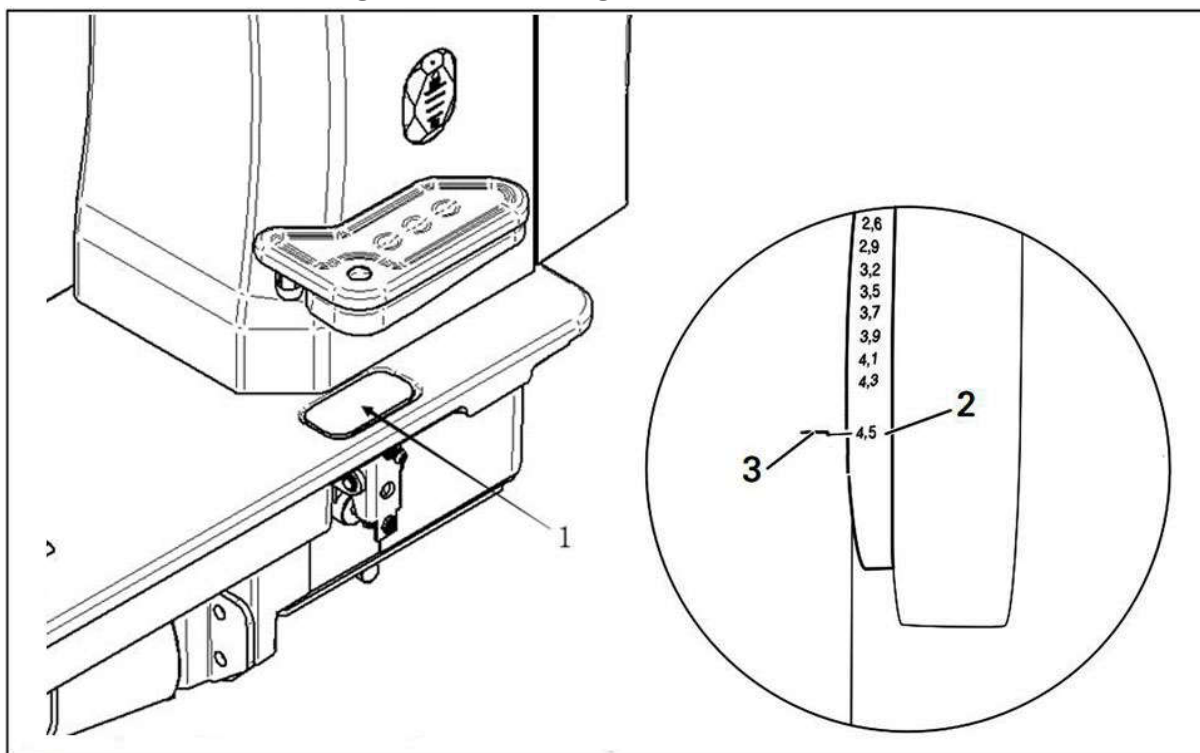
关掉机器，机器的意外启动可能会对您造成受伤的危险。

Switch the machine off!

Danger of injury if the machine is started accidentally!

- 双针穿线方法如图所示
- 左针穿线方向为从右到左，右针的穿线方向为从左到右。
- 通过滚花螺丝 1 可以调节线的张力。
- Thread both needle threads as shown.
- The left needle is threaded from the right to the left, and the right needle from the left to the right.
- Adjust the needle thread tensions by turning milled screws 1.

### 6.07 针距的调节 Setting the stitch length



- 按住按钮 1 不放，旋转皮带轮直到针锁锁入凹槽位置。
- 按住按钮 1，来回转动皮带轮直到所需针距。
- Press key 1 and at the same time turn the balance wheel until the stitch setter clicks into position.
- Hold down key 1 and turn the balance wheel to and fro until the stitch length required is shown on the scale 2 opposite the bottom edge 3 of the belt guard recess.

## 7 维护和保养 Care and maintenance

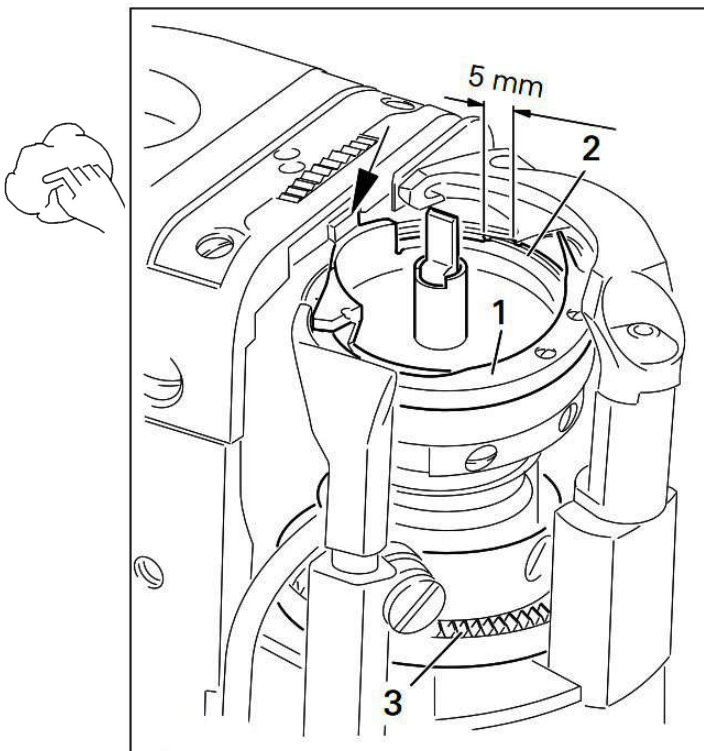
### 7.01 维修和维护周期 Servicing and maintenance intervals

清理.....	每天，连续操作时更频繁
检查油位（面线润滑/锁头润滑）.....	每天使用之前
锁头槽的注油.....	每天使用之前
传动齿轮的润滑.....	一年一次
Clean.....	daily, more frequently if in continuous operation
Oil level (thread lubrication/hook lubrication).....	daily, before use
Oil the hook.....	daily, before use
Lubricate the bevel gears.....	once a year

### 7.02 清理 Cleaning

在机器连续使用时，每天都需对梭头、内斧、平面送料齿轮经行清理几次。

Clean the hook, hook compartment and toothed wheel 3 daily, several times if in continuous use.



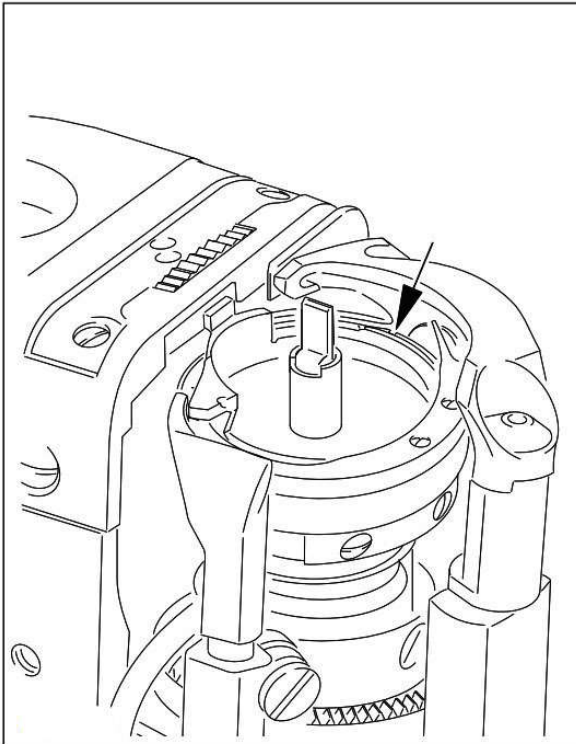
关掉机器，机器的意外启动可能会对您造成受伤的危险

Switch the machine off!  
Danger of injury if the machine is started accidentally!

- 将针棒移至最高点。
- 打开大斧盖，取下梭壳盖和梭子。
- 选松压板 1.
- 旋转手轮知道梭壳尖点进入梭头槽内约 5mm.
- 取下梭壳 2.
- 用石蜡清理梭壳。
- 放入梭壳时要确保梭子能顺利装入。
- 梭壳凸起插入针板槽内。
- 锁紧压板 1.关上大斧盖。

- Bring the needle bar to its highest position.
- Open the post cap and remove the bobbin case cap and the bobbin.
- Unscrew hook gib 1.
- Turn the handwheel until the point of bobbin case 2 penetrates into the groove of the hook race approx. 5 mm.
- Remove bobbin case 2.
- Clean the hook race with paraffin.
- When inserting the bobbin case 2, ensure that the horn of the bobbin case 2 engages in the groove of the needle plate.
- Screw hook gib 1 back on and close the post cap.

### 7.03 锁头槽的润滑 Oiling the hook

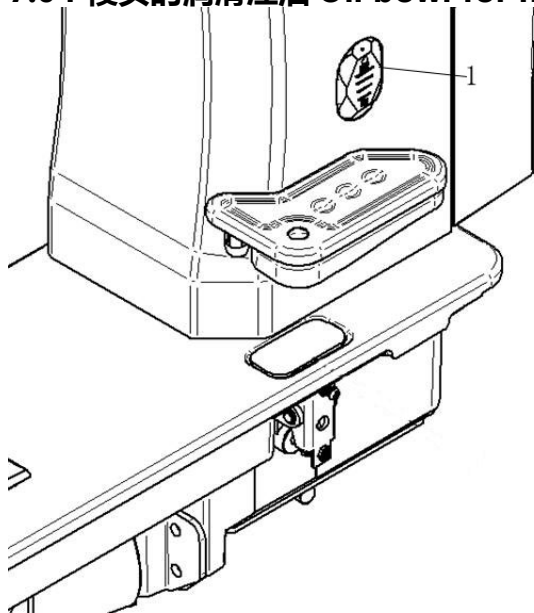


关掉机器，机器的意外启动可能会对您造成伤害的危险。

Switch the machine off!  
Danger of injury if the machine is started accidentally!

- 在机器调试前或机器长期未操作的情况下，需要将勾线器（见箭头）注滴几滴润滑油。
- Before commissioning the machine, and after long periods out of operation, pour a few drops of oil into the hook race (see arrow).

#### 7.04 梭头的润滑注油 Oil bowl for hook lubrication



使用之前必须检查油位。必须经向油盒 1 内加油。

- 如果需要可以从注油孔加油

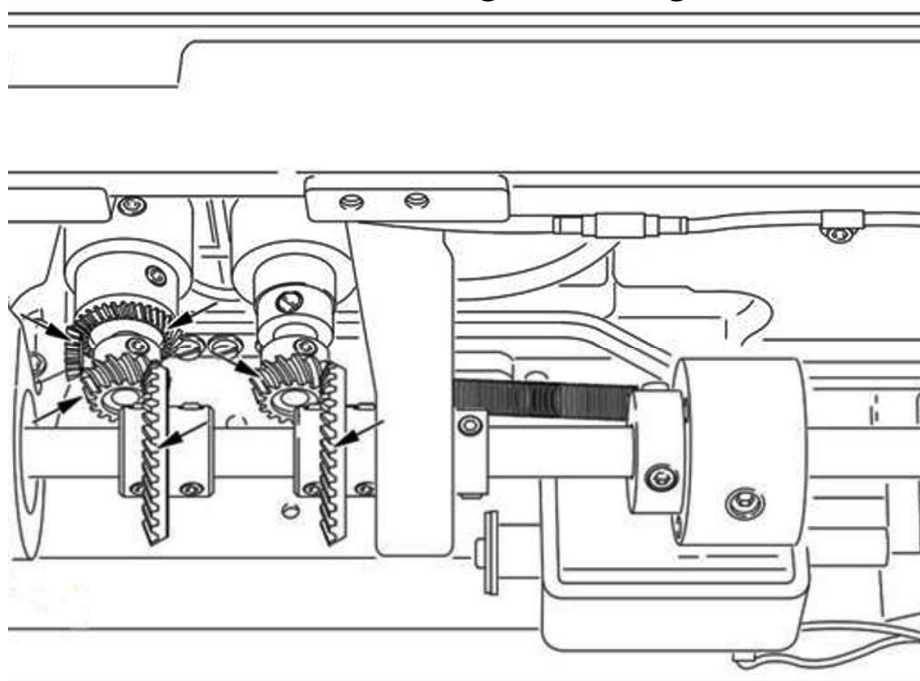


Check the oil level before each use.

There must always be oil in reservoir 1.

- If required refill oil through hole.

#### 7.05 传动齿轮的润滑 Lubricating the bevel gears



关掉机器，机器意外启动可能对您造成受伤的危险。

Switch the machine off!

Danger of injury if the machine is started accidentally!

- 所有的传动齿轮必须每年提供一次新的油脂。
- 倾斜机器可方便操作。
- All bevel gears must be supplied with new grease once a year.
- Tilt the sewing head back onto the support.

# 零件手册

PARTS BOOK

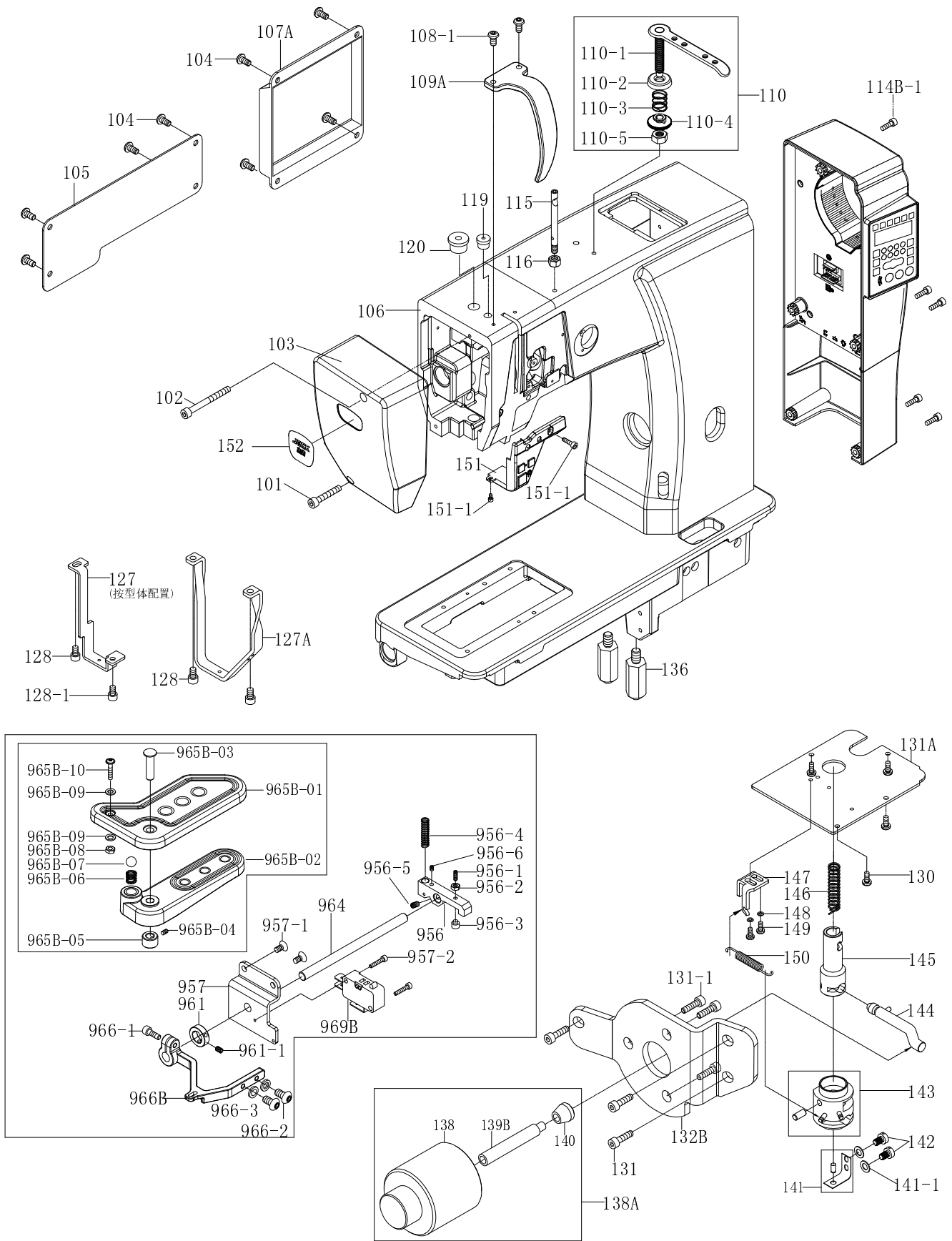
## 零件样本/Parts book

1. 本体机构	
ARM BED AND IT'S ACCESSORIES .....	01
2. 压棒机构	
PRESSER FOOT BAR MECHANISM .....	05
3. 天平及针棒摇动台机构	
TAKE-UP LEVER & NEEDLE BAR ROCKING MECHANISM .....	07
4. 缝线压力调整机构	
UPPER THREAD TENSION REGULATION MECHANISM .....	11
5. 主轴传动机构	
UPPER & MAIN SHAFT TRANSMISSION MECHANISM .....	13
6.1 下送料、剪线机构 JK-6691、JK-6692	
LOWER FEED & THREAD TRIMMING MECHANISM .....	15
6.2 下送料、剪线机构 JK-6691-X、JK-6681	
LOWER FEED & THREAD TRIMMING MECHANISM .....	17
7.1 轮前、上边心机构 ( 被动送料 )	
ROLLER PRESSER FOOT & UPPER SIDE SHAFT MECHANISM .....	19
7.2 轮前、上边心机构 ( -1 型选配 ) ( 主动送料 )	
ROLLER PRESSER FOOT & UPPER SIDE SHAFT MECHANISM .....	21
8.1 右边座机构 JK-6691、JK-6692	
RIGHT SIDE BRACKET MECHANISM .....	23
8.2 右边座机构 JK-6691-X	
RIGHT SIDE BRACKET MECHANISM .....	27
9.1 单针中座机构 JK-6691	
SINGLE NEEDLE CENTRAL BRACKET MECHANISM .....	29
9.2 单针中座机构 JK-6691-X	
SINGLE NEEDLE CENTRAL BRACKET MECHANISM .....	33
10.1 双针左边座及中座机构 JK-6692	
DOUBLE NEEDLE LEFT SIDE BRACKET & CENTRAL BRACKET MECHANISM .....	37
10.2 中座机构 JK-6681	
CENTRAL BRACKET MECHANISM .....	41
11. 倒针机构 JK-6692、JK-6691-X、JK-6681	
DOUBLE NEEDLE REVERSE STITCHING MECHANISM .....	45
12. 随机附件	
ACCESSORIES .....	47
13. 电器连接图	
ELECTRICITY ELEMENTS FIG .....	49



# 1 本体机构

## ARM BED AND IT'S ACCESSORIES



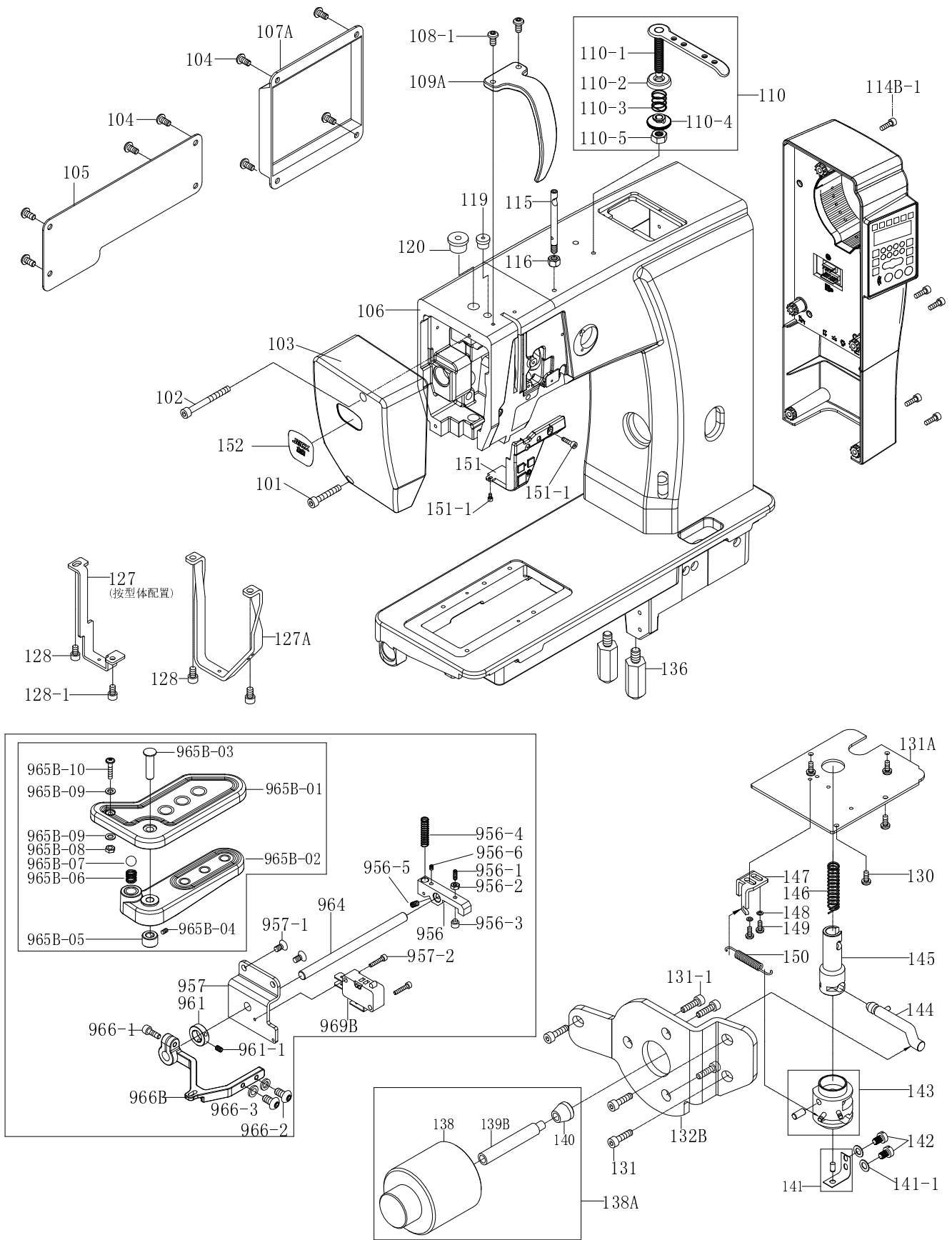
# 1 本体机构

## ARM BED AND IT'S ACCESSORIES

序号 NO.	件号 Part No.	零部件名称	Name of parts	数量 Amt.	备注
101	C01156	内六角圆柱头螺钉M5×25	Screw pan M5×25	1	
102	C01220	内六角圆柱头螺钉M5×60	Screw pan M5×60	1	
103	155211001	面板	Face palte	1	
104	C01266	内六角盘头螺钉M4×8	Screw pan M4×8	8	
105	155212001	松线防护板	Cover	1	
106	15520100100	机壳组件	Machine shell components	1	
107A	155212002	大防沙板	Cover	1	
108-1	C01021	内六角盘头螺钉M5×10	Screw pan M5×10	2	
109A	155211002	挑线杆防护罩	Thread takeup lever cover	1	
110	155213004	绕线夹线器组件	Bobbin thread tension asm	1	
114B	15523000200	电控组件/一体机	Machine electronic control	1	
114C	15543000100	电控组件/一体机	Machine electronic control	1	6681专用电控
114B-1	C01156	内六角圆柱头螺钉M5×25	Screw pan M5×25	5	
115	155213005	穿线杆	Spool pin	1	
116	C01069	六角螺母 M6	Nut M6	1	
119	155211003	油盖	Rubber plug	1	
120	155211004	压棒盖	Rubber plug	1	
127	155212003	支架	Bracket	1	
127A	155212004	支架	Bracket	1	
128	C01125	内六角圆柱头螺钉M6×10	Screw pan M6×10	3	
128-1	C01137	内六角圆柱头螺钉M5×10	Screw pan M5×10	1	
130	1550S11001	一字圆柱头螺钉M5×10	Screw pan M5×10	5	
131	C01125	内六角圆柱头螺钉M6×12	Screw pan M6×12	3	
131A	155212003	底盘座	Bottom cover	1	
131-1	C01144	内六角圆柱头螺钉M6×10	Screw pan M6×10	3	
132B	155212005	电磁铁安装板	Solenoid Mounting plate	1	
136	1552S30001	脚柱	Bed leg	2	
138A	155230001	抬压脚电磁阀	Elevating foot solenoid valve	1	
141	15521200600	压脚弹片组	Pressure foot spring	1	
141-1	C01022	平垫圈	Flat washer	2	
142	1550S11013	一字圆柱头螺钉M4×8	Screw pan M4×8	2	
143	15520100200	脚架连接块(组件)	Connocotor	1	
144	155212007	压脚提升弯杆	Bending rod	1	
145A	155201003	脚架连杆头(组件)	Connocotor	1	
147	155212008	拉簧座	Tension spring seat	1	
148	C01023	垫片 M5	Washer M5	2	
149	C01130	内六角圆柱头螺钉M5×8	Screw pan M5×8	2	
151	15523000800	机头三角按键组	Switch assembly	1	
151-1	C01139	内六角圆柱头螺钉M3×6	Screw pan M3×6	2	
	155231019	面板标牌	Panel signs	1	
956	155209018	开关压板	Switch plate	1	
956-1	C01232	内六角凹端紧定螺钉M4×16	Screw pan M4×16	1	
956-2	C01070	六角螺母 M4	Nut M4	1	
956-3	155226009	限位柱	Limit column	1	
956-4	155227004	栓销弹簧	Pin spring	1	
956-5	C01086	内六角凹端紧定螺钉M5×6	Screw pan M5×6	1	
956-6	C01092	内六角凹端紧定螺钉M4×4	Screw pan M4×4	1	
957	155212038	倒缝把手座	Reverse feed lever fixing plate	1	
957-1	C01243	内六角沉头螺钉M5×8	Screw pan M5×8	2	
957-2	C01225	内六角圆柱头螺钉M3×14	Screw pan M3×14	2	
961	155008007	定环	Stationary ring	1	
961-1	1550S14001	螺钉	Screw	2	
964	155202019	倒缝把手轴	Reverse feed lever shaft	1	
965B-01	155201022	倒缝把手	Reverse feed lever	1	

# 1 本体机构

## ARM BED AND IT'S ACCESSORIES



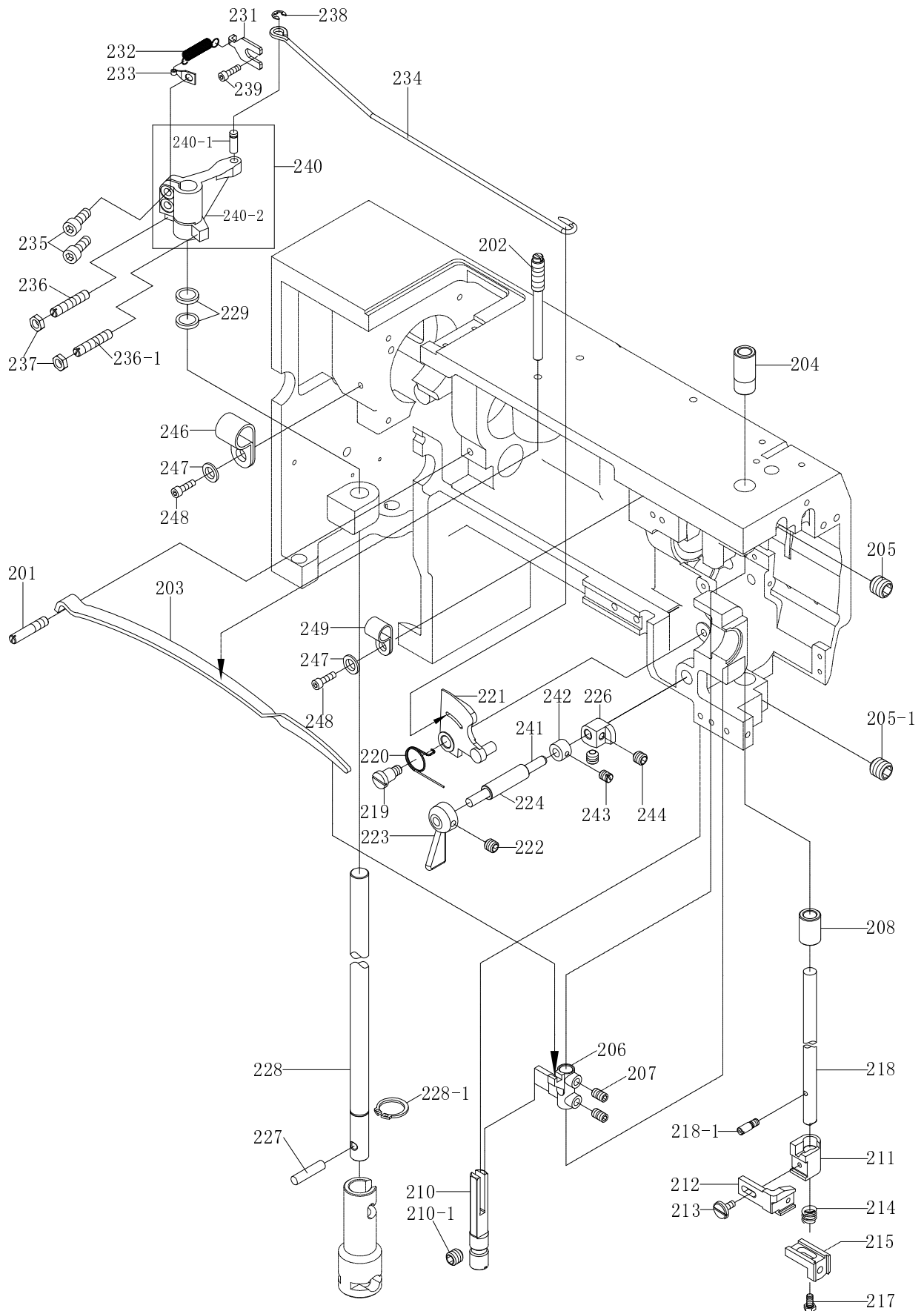
# 1 本体机构

## ARM BED AND IT' S ACCESSORIES

序号 NO.	件号 Part No.	零部件名称	Name of parts	数量 Amt.	备注
965B-02	155201023	旋转把手组	Rotating handle	1	
965B-03	155226010	固定销	Dowel pin	1	
965B-04	C01092	内六角凹端紧定螺钉	Screw	1	
965B-05	155208001	锁圈	Lock ring	1	
965B-06	155227011	弹簧M4×5	Spring M4×5	1	
965B-07	155209020	钢珠Sφ 8	Steel ball Sφ 8	1	
965B-08	C01272	六角螺母	Nut	2	
965B-09	C01030	平垫圈	Flat washer	2	
965B-10	C01287	内六角圆头带垫螺钉M3×16	Screw pan M3×16	1	
966B	155204012	倒缝摆杆	Rod of reverse stitching	1	
966-1	C01134	内六角圆柱头螺钉M4×10	Screw pan M3×16	1	
966-2	C01134	内六角圆柱头螺钉M4×10	Screw pan M3×16	2	
966-3	C01022	平垫圈M4	Flat washer M4	2	
969B	15523001300	点动开关	Inching switch	1	

## 2 压棒机构

### PRESSER FOOT BAR MECHANISM



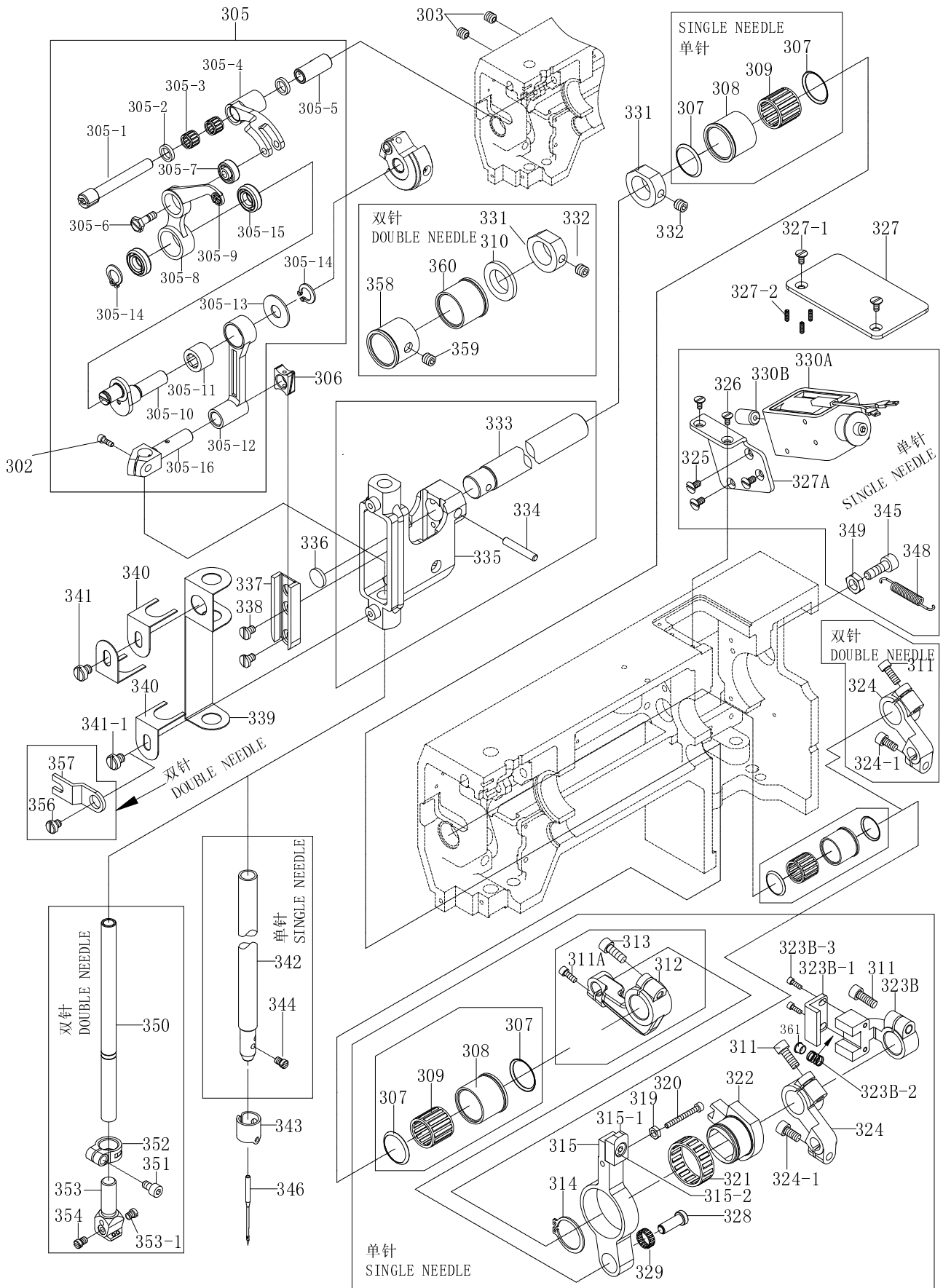
## 2 压棒机构

### PRESSER FOOT BAR MECHANISM

序号 NO.	件号 Part No.	零部件名称	Name of parts	数量 Amt.	备注
201	1550S11002	一字无头螺丝	Screw	1	
202	155211005	一字无头调压螺丝	Screw	1	
203	155212009	弹片压板	Shrapnel plate	1	
204	155003001	压棒上套管	Upper casing of pressure bar	1	
205	C01086	内六角凹端紧定螺钉M5×6	Screw pan M5×6	2	
	C01086	内六角凹端紧定螺钉M5×6	Screw pan M5×6	1	6692
205-1	C01172	内六角凹端紧定螺钉M5×5	Screw pan M5×5	1	6692
206	155001001	压棒固定座	Setting seat of pressure bar	1	
207	1550S14001	内六角无头螺丝M6×0.75×6	Screw pan M6×0.75×6	2	
208	155003002	压棒下套管	Running casing of pressure bar	1	
210	155009001	导轨棒	Guide rods	1	
210-1	C01088	内六角凹端紧定螺钉M5×8	Screw pan M5×8	1	
211	155201004	轮前下座	Front seat	1	
212	155201005	轮前连接座	Connecting seat	1	
213	1550S11012	一字圆柱头螺丝	Screw	1	
214	155027001	弹簧	Spring	1	
215	155009002	顶针座	Thimble seat	1	
217	B01001111	六角头螺栓M4×8	Bolt M4×8	1	
218	155202001	压棒	Pressure bar	1	
218-1	1550S15001	螺钉	Screw	1	
219	1550S11003	一字圆柱头螺丝	Screw	1	
220	155027002	弹簧	Spring	1	
221	155004001	小夹线组件	Bobbin thread tensionasm	1	
222	C01086	内六角凹端紧定螺钉M5×6	Screw pan M5×6	1	
223	155004002	压棒提杆	Lifting rod of pressure bar	1	
224	155203001	压棒提杆套管	Lifting sleeve of pressure bar	1	
226	155201006	压棒提升器	Lifter of pressure bar	1	
228A	155002001	压脚长轴	Presser foot long axis	1	
228-1	C0196	轴用挡圈	Circlips for shaft	1	
229	155028001	调整垫片	Washer	2	
231	155012001	弹簧固定板	Spring fixing plate	1	
232	155227003	离合拉簧	Clutch spring	1	
233	155012002	弹簧固定板	Spring fixing plate	1	
234	155227001	脚弓连接杠杆	Arch connecting lever	1	
235	C01132	内六角圆柱头螺钉M5×12	Screw pan M5×12	2	
236	C01177	内六角锥端紧定螺钉M6×30	Screw pan M6×30	1	
236-1	C01109	内六角平端紧定螺钉M6×35	Screw pan M6×35	1	
237	C01069	六角螺母M6	Nut M6	2	
238	155212025	开口挡圈M4	E rings M4	1	
239	C01131	内六角圆柱头螺钉M6×8	Screw pan M6×8	1	
240	155004003	上下输送臂	Upper and lower conveying arm	1	
241	155202002	压棒提杆轴	Pressure rod lifting shaft	1	
242	155208001	锁圈	Lock ring	1	
243	C01092	内六角凹端紧定螺钉M4×4	Screw pan M4×4	1	
244	C01086	内六角凹端紧定螺钉M5×6	Screw pan M5×6	2	
246	155211012	线夹R-16.2	Clip R-16.2	1	
247	C01022	平垫圈M4	Flat washer M4	2	
248	C01139	内六角圆柱头螺钉 M4×8	Screw pan M4×8	2	
249	155211010	油管护架	Tubing guard	1	

### 3 天平及针棒摇动台机构

#### TAKE-UP LEVER & NEEDLE BAR ROCKING MECHANISM



### 3 天平及针棒摇动台机构

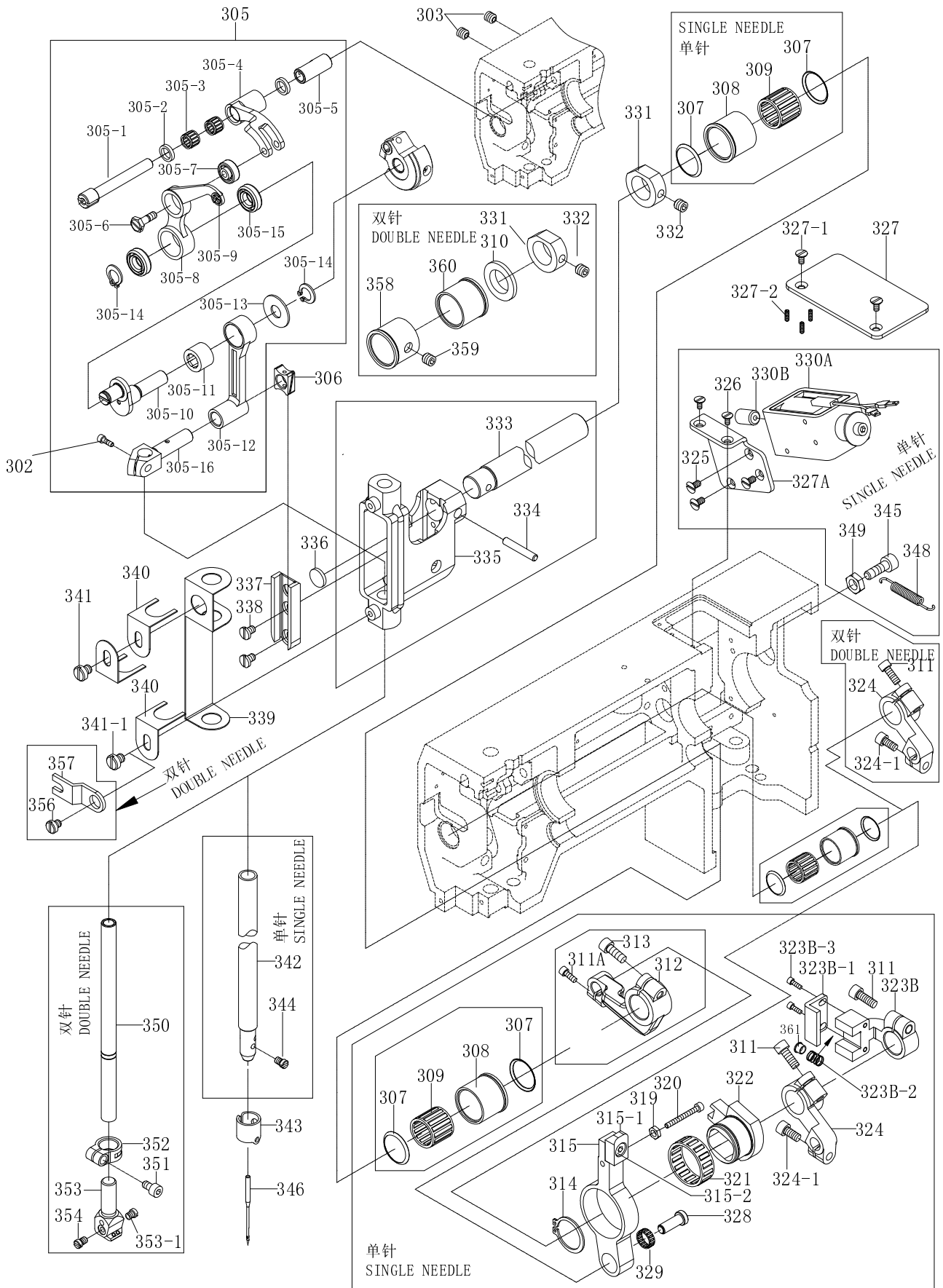
TAKE-UP LEVER & NEEDLE BAR ROCKING MECHANISM

序号 NO.	件号 Part No.	零部件名称	Name of parts	数量 Amt.	备注
302	1550s12001	六角头螺丝M5×10	Screw pan M5×10	1	
303	C01088	内六角凹端紧定螺钉M5×8	Screw pan M5×8	2	
305	155238001	挑线杆组件	Thread take-up asm	1	
	155238002	挑线杆组件	Thread take-up asm	1	6692
306	155009003	针棒道引滑块	Needle bar guide slider	1	
307	155012003	盘形垫片	Disc gasket	4	6691/6691-X/6681
308	155003003	套管	casing	2	6691/6691-X/6681
309	155024003	滚针轴承	Needle bearing	2	6691/6691-X/6681
310	155212013	调整垫片	Washer	1	6691/6691-X/6681
311	C01129	内六角圆柱头螺钉M6×16	Screw pan M6×16	2	
	C01129	内六角圆柱头螺钉M6×16	Screw pan M6×16	1	6692
311A	C01132	内六角圆柱头螺钉 M5×12	Screw pan M5×12	1	6691/6691-X/6681
312	155201007	针送支臂	Needle delivery arm	1	6691/6691-X/6681
313	C01222	内六角圆柱头螺钉M5×14	Screw pan M5×14	1	6691/6691-X/6681
314	C0197	轴用弹性挡圈-A型 24	Circlips for shaft - type A	1	6691/6691-X/6681
315	155201008	凸轮连杆	Cam connecting rod	1	6691/6691-X/6681
315-1	155201009	凸轮连杆接块	Connecting block	1	6691/6691-X/6681
315-2	C01128	内六角圆柱头螺钉M4×6	Screw pan M4×6	1	6691/6691-X/6681
319	C01070	六角螺母M4	Nut M4	1	6691/6691-X/6681
320	C0189	内六角圆柱头螺钉M4×30	Screw pan M4×30	1	6691/6691-X/6681
321	155024001	滚针轴承	Needle bearing	1	6691/6691-X/6681
322	155209001	滑块凸轮	Slider cam	1	6691/6691-X/6681
323B	155209008	滑块凸轮导向座	Slide cam guide seat	1	6691/6691-X/6681
323B-1	155212010	固定块	Fixed block	1	6691/6691-X/6681
323B-2	155227004	弹簧	Spring	1	6691/6691-X/6681
323B-3	C01142	内六角圆柱头螺钉M3×6	Screw pan M3×6	2	
324	155201010	滑块凸轮摆杆	Swinging rod of slider cam	1	6691/6691-X/6681
324-1	C01086	内六角凹端紧定螺钉M5×6	Screw pan M5×6	1	
325	C01100	内六角沉头螺钉M4×6	Screw pan M4×6	2	6691/6691-X/6681
326	C01103	内六角沉头螺钉M4×8	Screw pan M4×8	2	6691/6691-X/6681
327	155212011	盖板	Cover plate	1	
327-1	C0195	内六角沉头螺钉 M4×12	Screw pan M4×12	2	
327-2	C01094	内六角凹端紧定螺钉M4×10	Screw pan M4×10	3	
327A	155212012	电磁铁固定板	Electromagnet fixed plate	1	6691/6691-X/6681
328	155026001	固定(短)销	Pin (short)	1	6691/6691-X/6681
329	155024002	滚针轴承	Needle bearing	1	6691/6691-X/6681
330A	15523000300	针摆电磁铁(倒针切换)	Needle pendulum electromagnet	1	6691/6691-X/6681
330B	155211006	尼龙垫	Nylon mat	1	6691/6691-X/6681
331	155008001	固定环	Retaining ring	1	
332	1550S14001	内六角无头螺丝M6×0.75×6	Screw pan M6×0.75×6	1	
335A	15520101100	针棒座组件	Needle bar support frame	1	
336	155023001	油棉	Oil cotton	1	
337	155009004	针棒连接器导槽	Needle bar connecting link guide	1	
338	1550S11004	一字圆柱头螺丝	Screw	2	
339	155023002	油棉	Oil cotton	1	
340	155012017	油棉压板	Pressboard of oil cotton	3	
341	1550S11013	一字圆柱头螺丝	Screw	2	
341-1	C01092	内六角凹端紧定螺钉M4×4	Screw pan M4×4	1	6692
342	155002002	单针针棒	Needle bar	1	6691/6691-X/6681
343	155012004	针棒套环	Ring clamp	1	6691/6691-X/6681
344	1550S11006	螺钉 M3×0.5×4	Screw pan M3×0.5×4	1	6691/6691-X/6681
345	C01132	内六角圆柱头螺钉M5×12	Screw pan M5×12	1	6691/6691-X/6681
346	155217001	车针 INDP×5#16	Needle INDP×5#16	6	6691/6691-X/6681
	155217001	车针 INDP×5#16	Needle INDP×5#16	12	6692



### 3 天平及针棒摇动台机构

#### TAKE-UP LEVER & NEEDLE BAR ROCKING MECHANISM

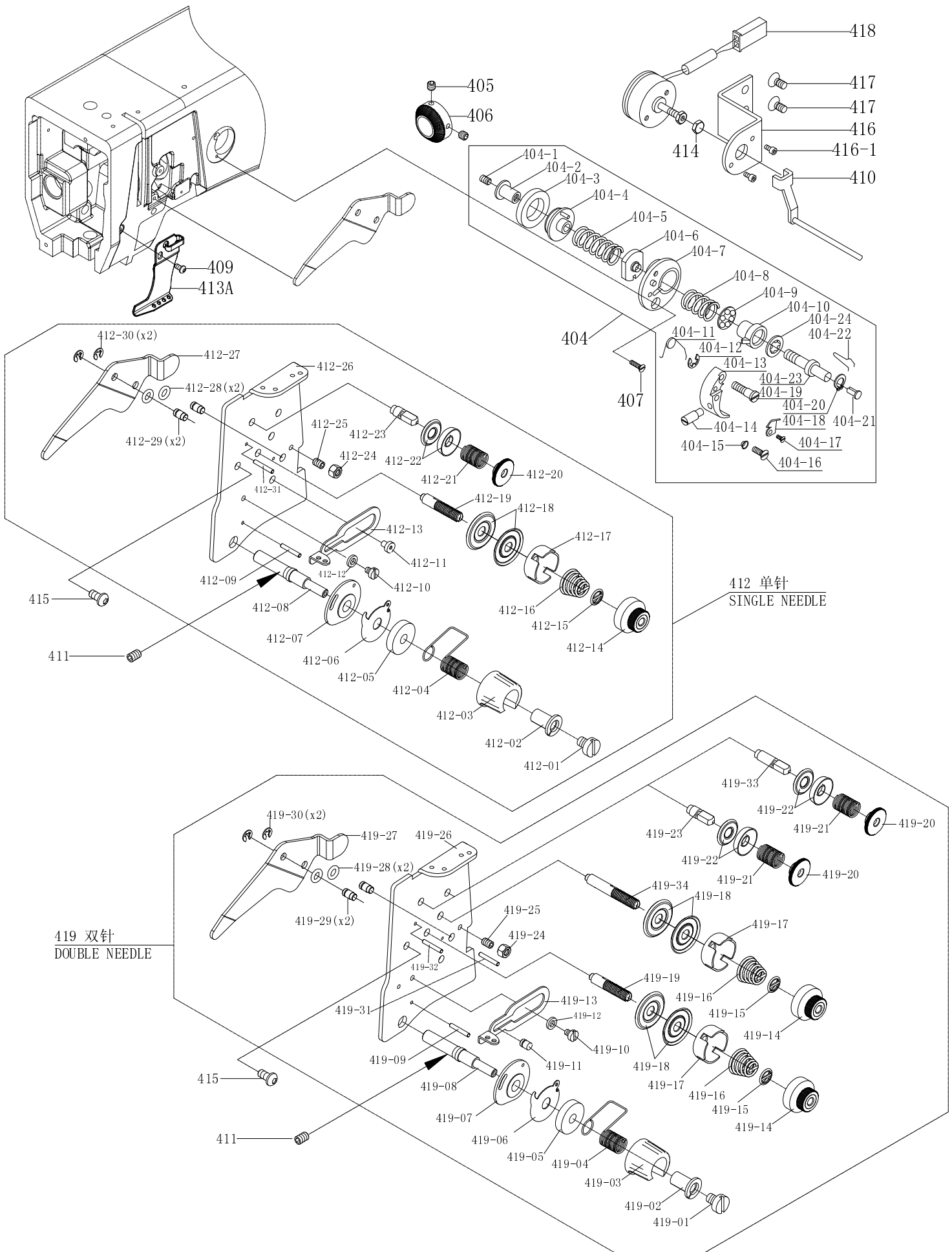


### 3 天平及针棒摇动台机构

#### TAKE-UP LEVER & NEEDLE BAR ROCKING MECHANISM

序号 NO.	件号 Part No.	零部件名称	Name of parts	数量 Amt.	备注
348	155227002	拉簧	Tension spring	1	6691/6691-X/6681
349	C01074	六角螺母M5	Nut M5	1	6691/6691-X/6681
350	155002003	双针针棒	Needle bar	1	6692
351	C01134	内六角圆柱头螺钉M4×10	Screw pan M5×12	1	6692
352	155008002	针棒套环	Ring clamp	1	6692
353	155201012	针榴3.2/2.8两种规格	Needle holder (3.2/2.8)	1	6692
356	1550S11007	螺钉 M5×0.8×6	Screw pan M3×0.8×6	1	6692
357	155012005	针棒座固定板	Needle bar fixing plate	1	6692
358	155003004	摆针轴左套管	Bushing	1	6692
359	C0184	内六角凹端紧定螺钉M6×8	Screw pan M6×8	1	6692
360	155003005	摆针轴右套管	Bushing	1	6692

# 4 缝线压力调整机构 UPPER THREAD TENSION REGULATION MECHANISM



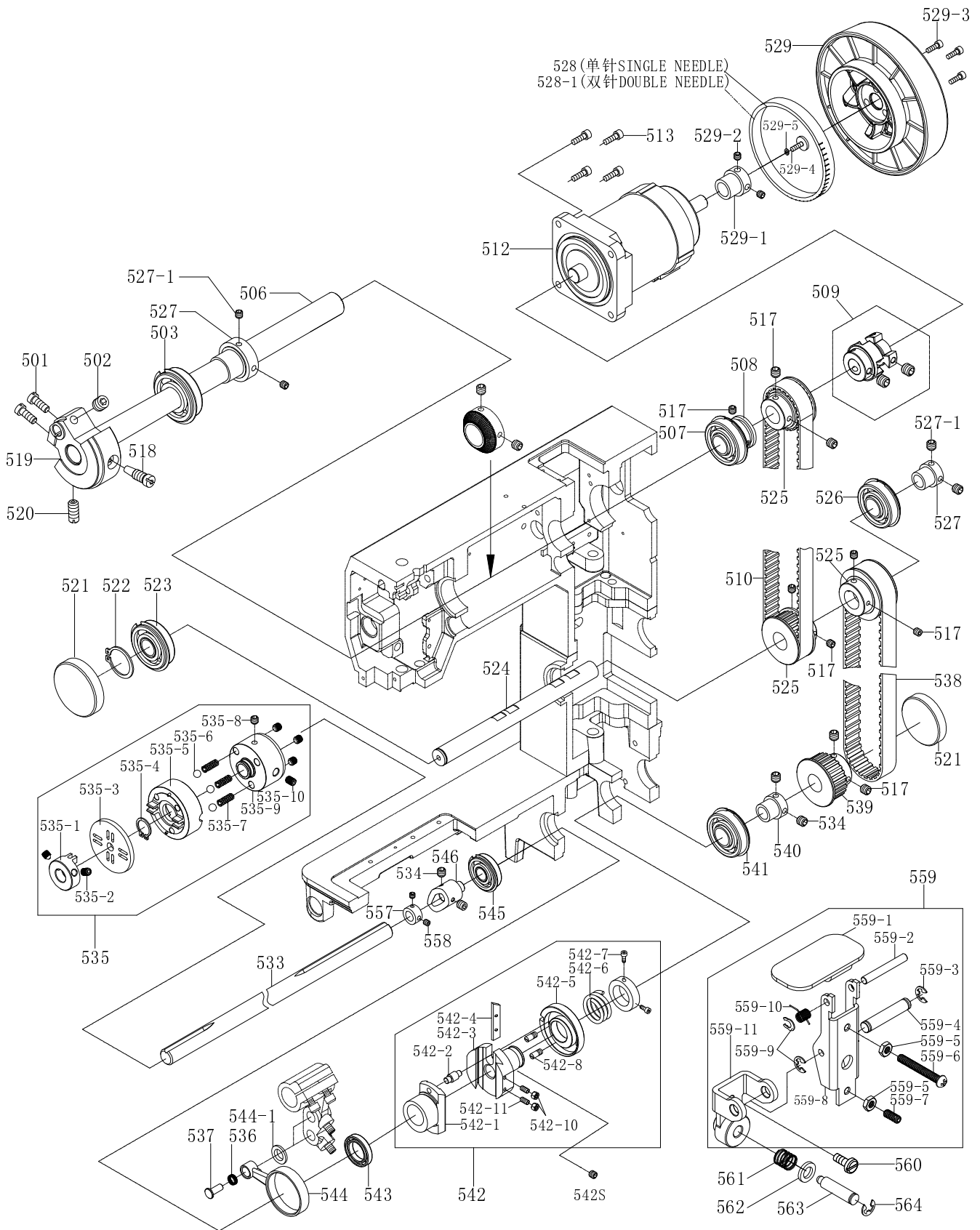
#### 4 缝线压力调整机构

##### UPPER THREAD TENSION REGULATION MECHANISM

序号 NO.	件号 Part No.	零部件名称	Name of parts	数量 Amt.	备注
404	15521300100	绕线器组件	Bobbin winder unit	1	
405	C0184	内六角凹端紧定螺钉M6×8	Screw pan M6×8	2	
406	155208003	锥形传动轮	Conical drive wheel	1	
407	C0193	开槽沉头螺钉M4×8	Screw pan M4×8	1	
409	C01021	内六角半圆头螺钉M5×10	Screw pan M5×10	1	
410	15521201400	松线销组件	Tension releasing pin asm	1	
411	C01088	内六角凹端紧定螺钉M5×8	Screw pan M5×8	1	
412	15521300200	夹线组件	Thread tension asm	1	6691/6691-X/6681
413A	155213003	过线板	Thread tension guide plate	1	
414	1552S16001	调整螺母	Adjusting nut	1	
415	C01021	内六角半圆头螺钉M5×10	Screw pan M5×10	2	
416	155212015	松线阀座	Solenoid valve fixing plate	1	
416-1	C01281	内六角圆柱头螺钉M3×6	Screw pan M3×6	2	
417	C01106	内六角沉头螺钉M5×10	Screw pan M5×10	2	
418	15523001100	电磁阀（松线）	Solenoid valve (loose thread)	1	
419	15521300300	夹线组件	Thread tension asm	1	6692

# 5 主轴传动机构

## UPPER & MAIN SHAFT TRANSMISSION MECHANISM



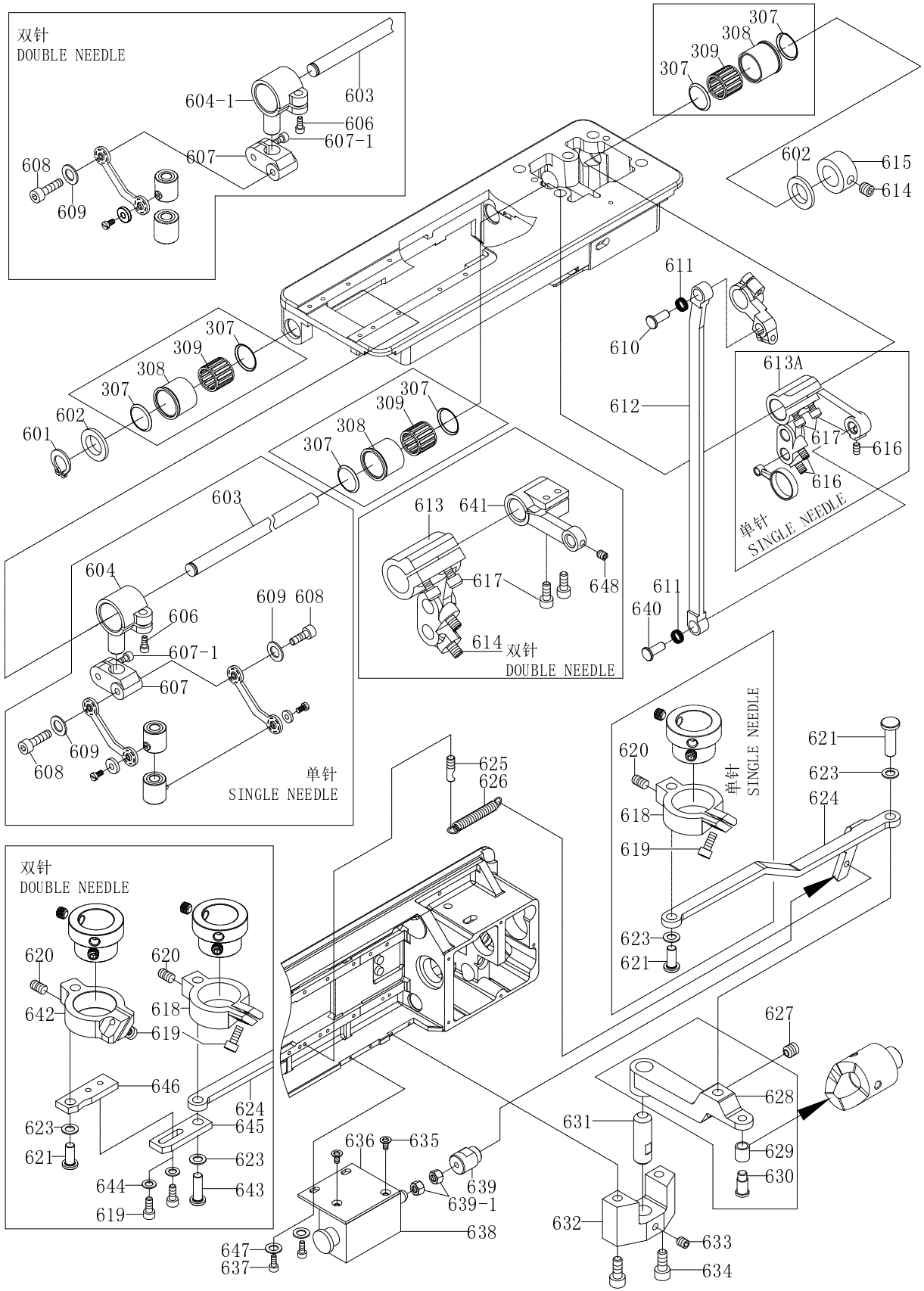
## 5 上轴及主传动机构

## UPPER &amp; MAIN SHAFT TRANSMISSION MECHANISM

序号 NO.	件号 Part No.	零部件名称	Name of parts	数量 Amt.	备注
501	1550S11008	螺钉 (M5×13)	Screw pan M5×13	2	
502	1550S14001	螺钉 (M6×0.75×6)	Screw pan M6×0.75×6	2	
503	155024004	滚珠轴承 (BB6204ZZNR)	Ball bearing (BB6204ZZNR)	1	
505	1550S14001	螺钉 (M6×0.75×6)	Screw pan M6×0.75×6	2	
506	155202003	上轴	Upper shaft	1	
507	155024005	滚珠轴承 (BB6004ZZNR)	Ball bearing (BB6004ZZNR)	1	
508	155003006	上轴套管	Casing of upper shaft	1	
509	155225001	联轴器	Coupling	1	
510	155035002	同步带	Synchronous belt	1	
511	155235001	带轮调节机构	Pulley regulating mechanism	1	
512	15523000400	电机	Motor	1	
513	C01221	内六角圆柱头螺钉M5×20	Screw pan M5×20	4	
517	1550S14001	内六角无头螺丝 M6×0.75×6	Screw pan M6×0.75×6	12	
518	1550S11009	一字半圆头定位螺丝	Screw	1	
519	155001002	凸轮	Cam	1	
591A	155210001	凸轮	Cam	1	
519B	15521000200	凸轮组件	Cam asm	1	
520	1550S15002	一字无头螺丝	Screw	1	
521	155011002	保护盖	Protection cap	1	
522	155029002	C型扣环	C-Retaining ring	1	
523	155024006	滚珠轴承 (BB6203ZZNR)	Ball bearing (BB6203ZZNR)	1	
524	155202004	中轴	Shaft	1	
525	155025001	齿形带轮(上)	Timing wheel	2	
526	155024005	滚珠轴承	Ball bearing	1	
527	155003006	上轴套管	Upper shaft bushing	1	
527-1	1550S14001	内六角无头螺丝 M6×0.75×6	Screw pan M6×0.75×6	2	
528	155011003	缝目指示环	Feed regulator scale	1	
529	155211009	手轮	Handwheel	1	
529-1	155203004	手轮连接盘	Handwheel connection plate	1	
529-2	C0184	内六角凹端紧定螺钉M6×8	Screw pan M6×8	2	
529-3	C01021	内六角平圆头螺钉M5×10	Screw pan M5×10	2	
529-4	C0199	内六角圆头带垫螺钉M6×10	Screw pan M6×10	1	
533	155202005	万向连接轴(长)	Universal connecting shaft	1	
533A	155202018	万向连接轴(长)	Universal connecting shaft		
534	1550S14001	螺钉 (M6×0.75×6)	Screw pan M6×0.75×6	2	
535	15520101400	离合器组件	Clutch assembly	1	
536	155024002	滚针轴承	Needle bearing	1	
537	155026002	固定销(26)	Dowel pin (26)	1	
538	155035003	同步带	Synchronous belt	1	
539	155025002	齿形带轮(下)	Timing wheel(down)	1	
540	155003007	轴承套管(右)	Casing of bearing(right)	1	
541	155024006	滚珠轴承 (BB6203ZZNR)	Ball bearing (BB6203ZZNR)	1	
542	15500100300	凸轮组件	Cam asm	1	
542S	C0184	内六角凹端紧定螺钉M6×8	Screw pan M6×8	2	
543	155024014	滚珠轴承 (61906ZZ)	Ball bearing (61906ZZ)	1	
544	155005002	连杆	Connecting rod	1	
544-1	155212016	垫片	Washer	1	
545	1550240013	滚珠轴承 (BB6202ZZNR)	Ball bearing (BB6202ZZNR)	1	
546	155201015	剪线凸轮	Trimming cam	1	
557	155208005	定环	Fixed ring	1	
558	C01086	内六角凹端紧定螺钉M5×6	Screw pan M5×6	2	
559	15521201700	送料调整按钮(组件)	Feeding adjustment button asm	1	
560	C0221	开槽圆柱头螺钉M4×10	Screw pan M4×10	1	
561	155227010	压簧	Compression spring	1	
562	C01020	平垫圈M6	Flat washer M6	1	
563	155226003	按钮销	Button pin	1	
564	155208008	开口挡圈	E rings	1	

# 6.1 下送料、剪线机构 (JK-6691、JK-6692)

## LOWER FEED & THREAD TRIMMING MECHANISM



## 6.1 下送料及剪线机构 (JK-6691、JK-6692)

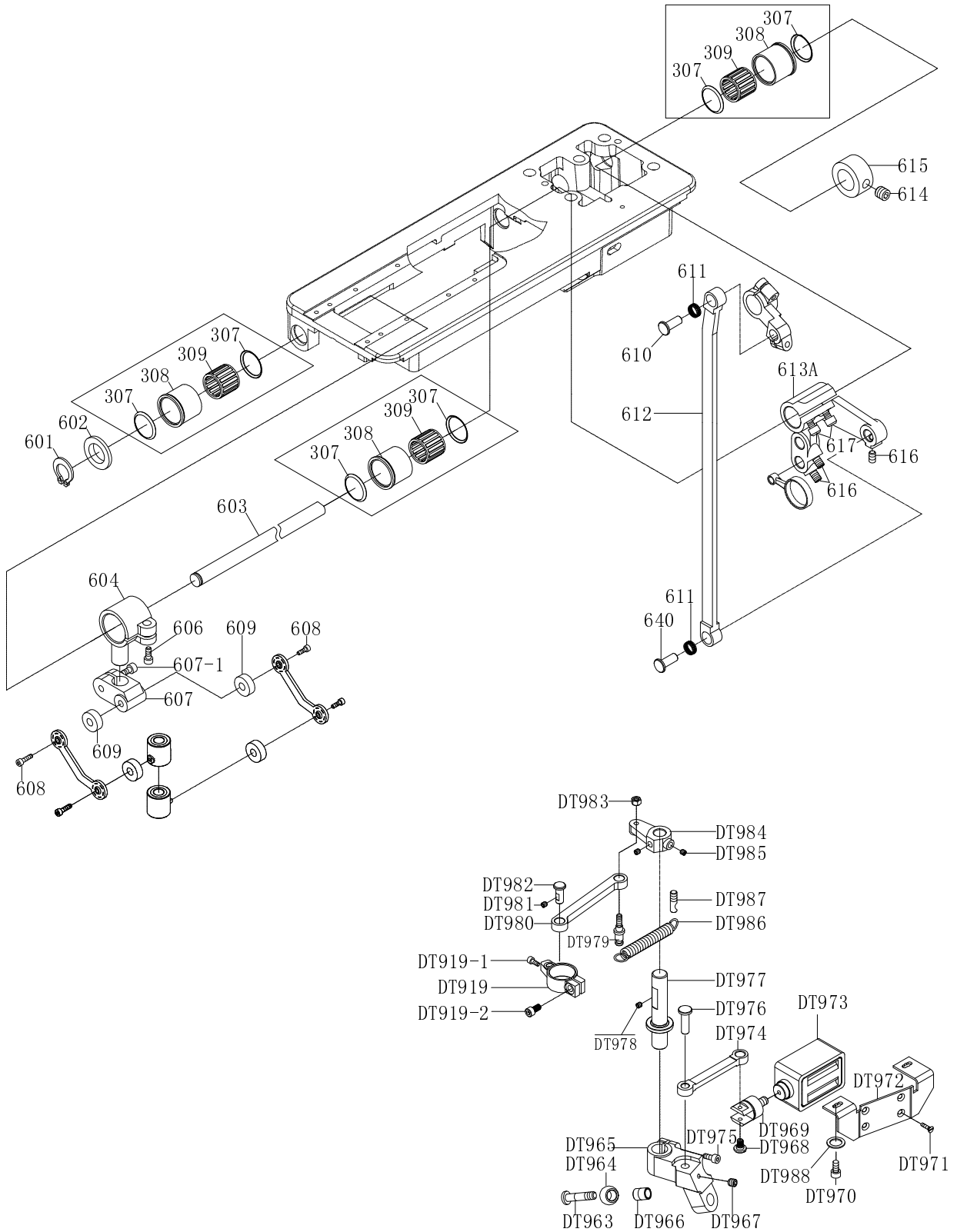
### LOWER FEED & THREAD TRIMMING MECHANISM

序号 NO.	件号 Part No.	零部件名称	Name of parts	数量 Amt.	备注
307	155012003	盘形垫片	Disc gasket	6	
308	155003003	轴承套管	Casing of bearing	3	
309	155024003	滚针轴承	Needle bearing	3	
601	C01043	轴用挡圈M15	Circlips for shaft M15	1	
602	155012008	垫片	Washer	2	
603	155202006	下送料轴	Feed rocker shaft	1	
604	155004005	万向连接头	Crank	1	
604-1	155004006	万向连接头	Crank	1	6692
606	C01132	内六角圆柱头螺钉M5×12	Screw pan M5×12	1	
607	155004007	万向连接座	Clamp	1	
607-1	C01134	内六角圆柱头螺钉M4×10	Screw pan M4×10	1	
608	55S011016	一字圆柱头螺丝	Screw	2	
609	155023003	油棉垫	Oil cotton pad	2	
610	155026002	固定销(长)	Dowel pin	1	
611	155024002	滚针轴承	Needle bearing	2	
612	155005003	连杆	Connecting rod	1	
613	155204005	右单向输送支臂	Right one-way delivery arm	1	6692
613A	155204006	单向输送支臂	One-way delivery arm	1	6691/6691-X/6681
614	1550S14001	螺钉(M6×0.75×6)	Screw pan M6×0.75×6	2	
615	155008004	固定环	Retaining ring	1	
616	C01212	内六角凹端紧定螺钉M5×4	Screw pan M5×4	2	
617	C01159	内六角圆柱头螺钉M5×16	Screw pan M5×16	2	
618	155205004	摆杆	Swinging rod	1	
619	C01134	内六角圆柱头螺钉M4×10	Screw pan M4×10	1	
620	C01086	内六角凹端紧定螺钉M5×6	Screw pan M5×6	1	
621	155226004	摆杆销(短)	Pendulum pin	1	
623	C01020	平垫圈M6	Flat washer M6	2	6691/6691-X/6681
	C01020	平垫圈M6	Flat washer M6	3	6692
624	155212018	拉杆	Pull rod	1	
625	155226005	拉簧销	Tension spring pin	1	
626	155227005	拉簧	Tension spring	1	
627	C01086	内六角凹端紧定螺钉M5×6	Screw pan M5×6	1	
630A	15520400800	离合器臂(组件)	Clutch arm (asm)	1	
631	155202007	离合器轴	Clutch shaft	1	
632	155209010	剪线座	Trimmer	1	
633	C01086	内六角凹端紧定螺钉M5×6	Screw pan M5×6	1	
634	C01157	内六角圆柱头螺钉M5×30	Screw pan M5×30	2	
635	C01100	内六角沉头螺钉M4×6	Screw pan M4×6	2	
636	155212019	电磁铁固定板	Electromagnet fixing plate	1	
637	C01137	内六角圆柱头螺钉M5×10	Screw pan M5×10	2	
638	15523000600	电磁铁(剪线)	Electromagnet (trimming)	1	
639	155211006	尼龙垫	Nylon mat	1	
639-1	C01066	六角薄螺母M4	Nut M4	2	
640	155026002	固定销(长)	Dowel pin (length)	1	
641	155004008	左单向输送支臂	Left one-way delivery arm	1	6692
641A	155204001	左单向输送支臂	Left one-way delivery arm	1	
642	155205005	双针左摆杆	Left swing rod of Double needle	1	6692
643	155226006	摆杆销	Pin of swinging rod	1	6692
644	C01022	平垫圈	Flat washer	2	6692
645	155212020	切线连接块一	Tangent connecting block 1	1	6692
646	155212021	切线连接块二	Tangent connecting block 2	1	6692
647	C01023	平垫圈M5	Flat washer M5	2	
648	C01085	内六角凹端紧定螺钉M5×4	Screw pan M5×4	1	6692



## 6.2 下送料、剪线机构 (JK-6691-X、JK-6681)

### LOWER FEED MECHANISM



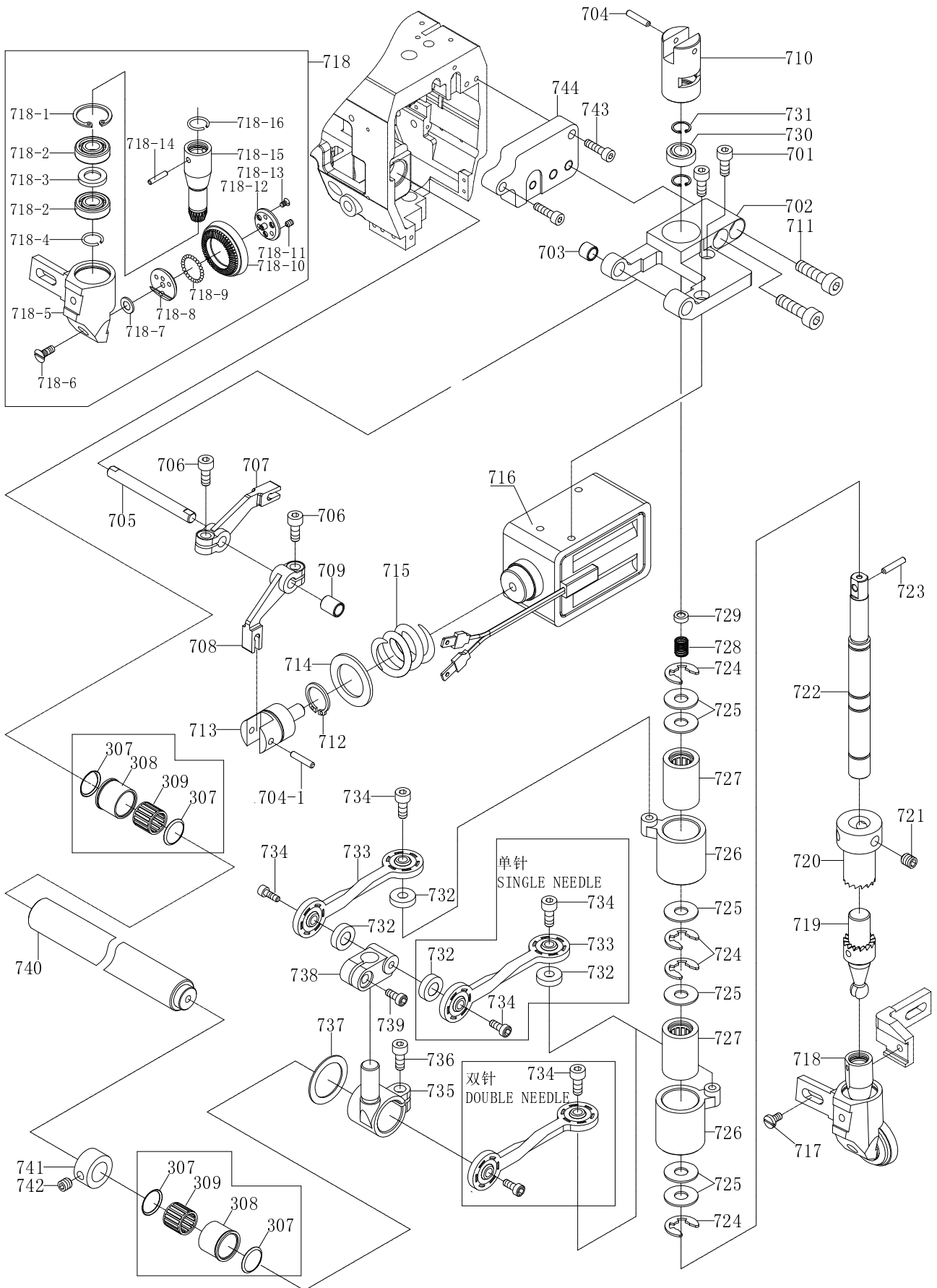
## 6.2 下送料、剪线机构零件明细 (JK-6691-X、JK-6681)

### LOWER FEED MECHANISM

序号 NO.	件号 Part No.	零部件名称	Name of parts	数量 Amt.	备注
307	155012003	盘形垫片	Disc gasket	6	
308	155003003	培林套管	Bearing casing	3	
309	155024003	滚针轴承	Needle bearing	3	
601	C01043	轴用挡圈M15	Circlips for shaft M15	1	
602	155012008	垫片	Washer	1	
603	155202006	送料轴	Feed rocker shaft	1	
604	155004005	万向连接头	Crank	1	
606	C01132	内六角圆柱头螺钉M5×12	Screw pan M5×12	1	
607	155004007	万向连接座	Clamp	1	
607-1	C01134	内六角圆柱头螺钉M4×10	Screw pan M4×10	1	
608	55S011016	一字圆柱头螺丝M4×10	Screw pan M4×10	2	
609	155023003	油棉垫	Oil cotton pad	2	
610	155026002	固定销(长)	Dowel pin(long)	1	
611	155024002	滚针轴承	Needle bearing	2	
612	155005003	连杆	Link	1	
613A	155204006	单向输送支臂	One-way delivery arm	1	
614	1550S14001	内六角无头螺丝	Screw	2	
615	155008004	固定环	Retaining ring	1	
616	C01085	内六角凹端紧定螺钉M6×6	Screw pan M6×6	3	
617	C01159	内六角圆柱头螺钉M5×16	Screw pan M5×16	2	
640	155026002	固定销(长)	Dowel pin	1	
DT919	155405002	刀轴摆杆	Pendulum of knife shaft	1	
DT919-1	C01134	内六角圆柱头螺钉M4×10	Screw pan M4×10	2	
DT919-2	C01169	内六角圆柱头螺钉M3×6	Screw pan M3×6	1	
DT963	155426005	凸轮销A	Pin of cam A	1	
DT964	155412004	钢球	Steel ball	1	
DT965	155401007	剪线定位座	Thread trimming seat	1	
DT966	155408007	隔套	Spacer	1	
DT967	C01092	内六角凹端紧定螺钉M4×4	Screw pan M4×4	1	
DT968	155426006	提升把手销	Pin of lift handle	1	
DT969	155405003	拉杆接头	Connector of pull rod	1	
DT970	C01137	内六角圆柱头螺钉M5×10	Screw pan M5×10	2	
DT971	C01100	内六角沉头螺钉M4×8	Screw pan M4×8	4	
DT972	155412005	电磁铁固定板	Electromagnet fixed plate	1	
DT973	155430001	电磁铁	Electromagnet	1	
DT974	155405004	剪线拉杆	Trimming pull rod	1	
DT975	C01137	内六角圆柱头螺钉M5×10	Screw pan M5×10	1	
DT976	155426007	摆动拉杆销	pull rod	1	
DT977	155402005	剪线摆杆轴	Trimming pendulum shaft	1	
DT978	C01086	内六角凹端紧定螺钉M5×6	Screw pan M5×6	1	
DT979	155426008	摆杆销	Pin of swinging rod	1	
DT980	155402006	摆动拉杆	swinging lever	1	
DT981	C01087	内六角凹端紧定螺钉M3×6	Screw pan M3×6	1	
DT982	155426009	摆动拉杆销	Pin of swinging lever	1	
DT983	C01074	螺母M4	Nut M4	1	
DT984	155402007	剪线摆杆	Trimming pendulum	1	
DT985	C01085	内六角凹端紧定螺钉M5×4	Screw pan M5×4	2	
DT986	155427001	拉簧	Tension spring	1	
DT987	155426010	拉杆销	Pin of pull rod	1	
DT988	C01023	平垫圈M5	Flat washer M5	3	

# 7.1 轮前、上边心机构 (被动送料)

## ROLLER PRESSER FOOT & UPPER SIDE SHAFT MECHANISM



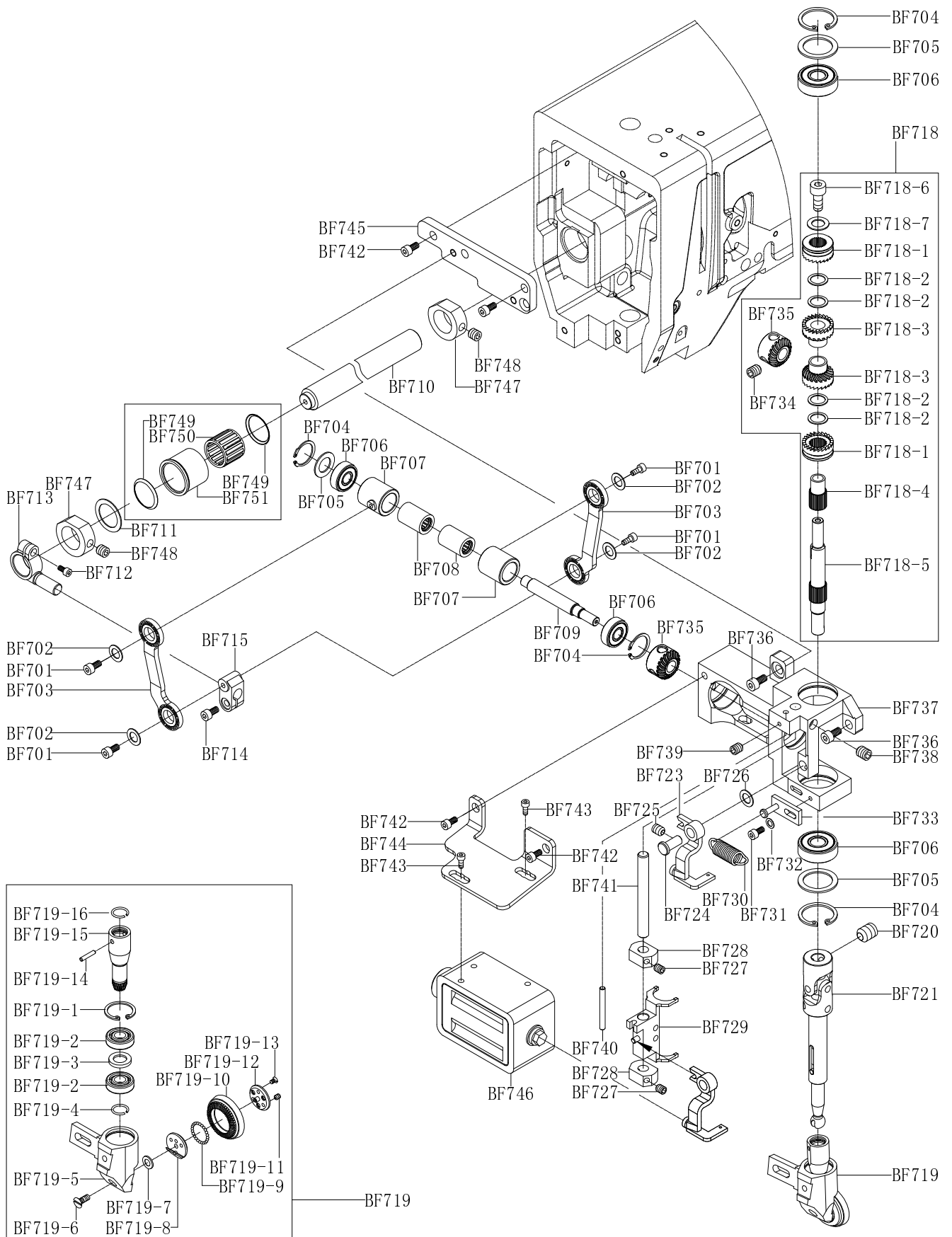
## 7.1 轮前及上边心机构(被动送料)

## ROLLER PRESSER FOOT &amp; UPPER SIDE SHAFT MECHANISM

序号 NO.	件号 Part No.	零部件名称	Name of parts	数量 Amt.	备注
307	155012003	盘形垫片	Disc gasket	4	
308	155003003	轴承套管	Casing of bearing	2	
309	155024003	滚针轴承	Needle bearing	2	
701	C01128	内六角圆柱头螺钉 M4×6	Screw pan M4×6	2	
702	155201016	轮前倒针座	Holder of backstitch	1	
703	155203006	后套	Counter	1	
704	C0207	圆柱销 3×18 (u级)	Cylindrical pin 3×18 (u grade)	1	
704-1	C0186	圆柱销 3×16 (u级)	Cylindrical pin 3×16 (u grade)	1	
705	155226007	固定销	Dowel pin	1	
706	C01130	内六角圆柱头螺钉 M5×8	Screw pan M5×8	2	
707	155204009	离合器后摆杆	Clutch rear swing lever	1	
708	155204010	离合器前摆杆	Clutch front swing lever	1	
709	155203007	前套	Toe cap	1	
710	155209004	万向轴承座	Universal bearing holder	1	
711	C01218	内六角圆柱头螺钉M6×35	Screw pan M6×35	2	
712	C0203	轴用挡圈 16	Circlips for shaft	1	
713	155209005	摆杆连接块	Connecting block of swing bar	1	
714	155212022	垫片	Washer	1	
715	155227006	压簧	Compression spring	1	
716	15523000700	上轮钱倒针电磁阀	Backstitch solenoid valve	1	
717	1550S11012	一字圆柱头螺丝	Slotted head screw	1	
718	155225003	轮钱组件/30中号/白色	Roller press asm/30medium/white	1	
719	155225004	轮钱倒针下离合器	Lower clutch of backstitch	1	
720	155225005	轮钱倒针上离合器	Upper clutch of backstitch	1	
721	1550S14001	内六角无头螺丝M6×0.75×6	Screw pan M6×0.75×6	2	
722	155202008	滚轮联接轴上节	Roller coupling shaft (upper)	1	
723	C01278	弹性销 3×10	Elastic pin 3×10	1	
724	155012010	E型扣环	E-type buckle	4	
725	155012011	调整垫片	Adjusting washer	6	
726	155024009	单向轴承座	One-way bearing holder	2	
727	155024010	滚针轴承	Needle bearing	2	
728	155227010	压簧	Compression spring	1	
729	155212023	垫圈	Washer	1	
730	155024011	万向轴承座	Universal bearing	1	
731	155012013	C行扣环	C-shaped buckle	2	
732	155023003	油棉垫	Oil cotton pad	4	
733	155005005	万向连杆	Universal connecting rod	2	
734	C01134	内六角圆柱头螺钉M4×10	Screw pan M4×10	4	
735	155004005	万向连接头	Crank	1	
736	C01132	内六角圆柱头螺钉M5×12	Screw pan M5×12	1	
737	155012008	垫片	Washer	1	
738	155004007	万向连接座	Clamp	1	
739	C01134	内六角圆柱头螺钉M4×10	Screw pan M4×10	1	
740	155202009	上边心轴	Shaft	1	
741	155008001	固定环	Retaining ring	1	
742	1550S14001	内六角无头螺钉M6×0.75×6	Screw pan M6×0.75×6	1	
734	C01099	内六角沉头螺钉M5×12	Screw pan M5×12	2	
744	155009007	连接块	Link block	1	

## 7.2 轮前、上边心机构(-1型) (主动送料)

### ROLLER PRESSER FOOT & UPPER SIDE SHAFT MECHANISM



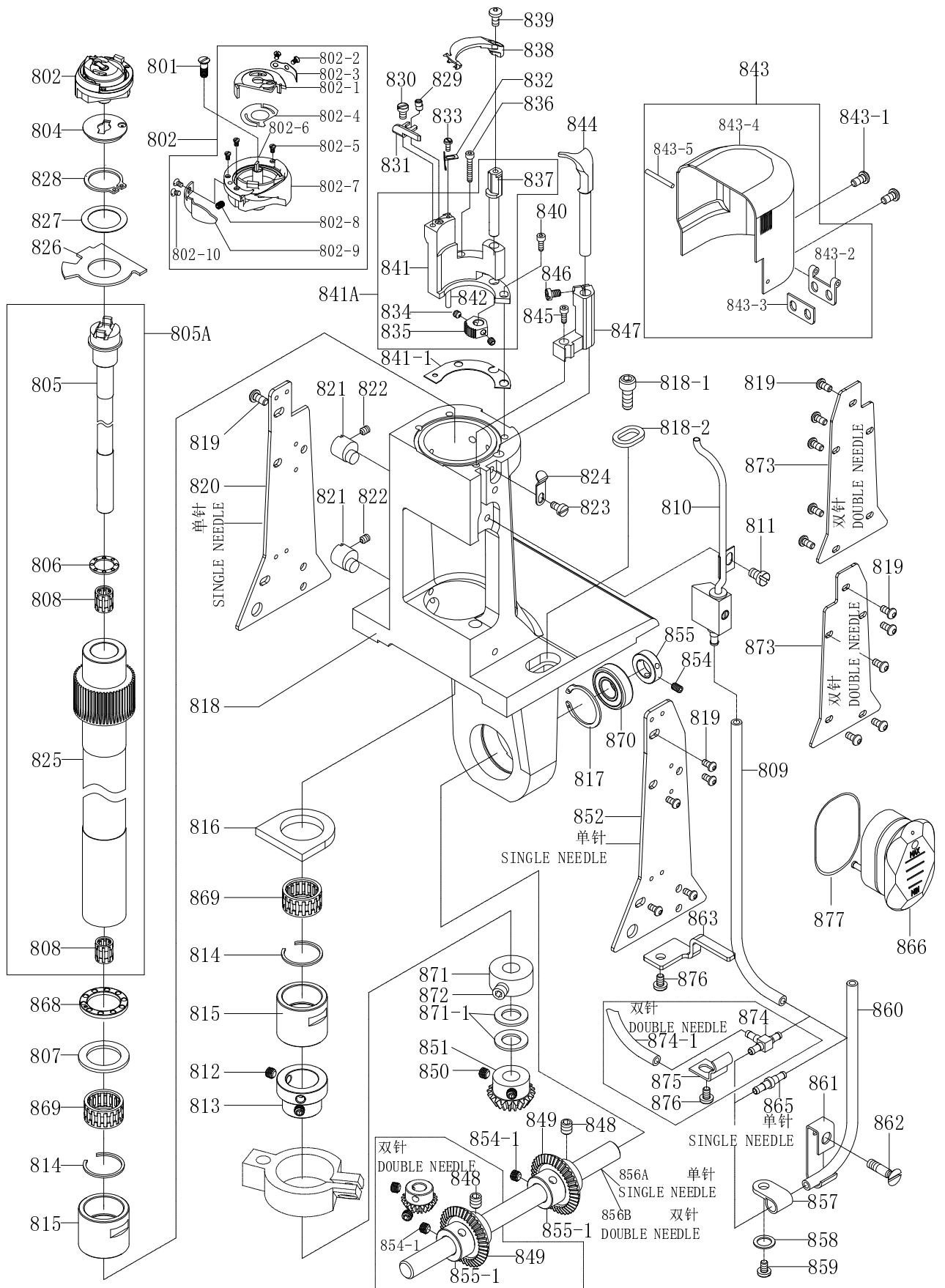
## 7.2 轮前及上边心机构 (-1型) (主动送料)

### ROLLER PRESSER FOOT & UPPER SIDE SHAFT MECHANISM

序号 NO.	件号 Part No.	零部件名称	Name of parts	数量 Amt.	备注
BF701	1550S11016	一字圆柱头螺丝M4×10	Screw pan M4×10	4	
BF702	155023003	油棉垫	Oil cotton pad	4	
BF703	155205006	万向连杆	Universal connecting rod	2	
BF704	155012014	C型扣环	C-shaped buckle	2	
BF705	155212024	调整垫片	Adjusting washer	3	
BF706	155024012	轴承 608ZZ	Bearing 608ZZ	4	
BF707	155224012	单向培林座	One-way bearing holder	2	
BF708	155024010	滚针轴承	Needle bearing	2	
BF709	155202010	培林轴	Shaft	1	
BF710	155202011	上边心轴	Shaft	1	
BF711	155012008	垫片	Washer	2	
BF712	C01132	内六角圆柱头螺钉M5×12	Screw pan M5×12	1	
BF713	155004006	万向连接头	Crank	1	
BF714	C01134	内六角圆柱头螺钉M4×10	Screw pan M4×10	1	
BF715	155004007	万向连接座	Clamp	1	
BF718	B01019006	倒缝齿轮芯轴组件	Backstack gear spindle asm	1	
BF719	155225003	轮钱组件	Upper feeding wheel asm	1	
BF720	C01092	内六角凹端紧钉螺钉M5×4	Screw pan M5×4	4	
BF721	155503001	万向连轴器	Universal	1	
BF723	155204011	倒针摆杆	Rod of reverse stitching	1	
BF724	155202012	旋转轴	Rotating shaft	1	
BF725	C01083	内六角凹端紧钉螺钉M4×6	Screw pan M4×6	1	
BF726	155228001	垫片	Washer	1	
BF727	C01083	内六角凹端紧钉螺钉M4×5	Screw pan M4×5	4	
BF728	155208004	锁圈	Lock ring	2	
BF729	155209003	弓形件	Bow	1	
BF730	155227007	拉簧	Tension spring	1	
BF731	C01281	内六角圆柱头螺钉M3×8	Screw pan M3×8	1	
BF732	C01030	平垫片	Flae washer	1	
BF733	155209011	拉簧固定座	Setting seat of tension spring	1	
BF734	1550S14001	螺丝M6×0.75×6	Screw M6×0.75×6	2	
BF735	155225013	斜锥齿轮A	Bevel gear A	1	
BF736	C01132	内六角圆柱头螺钉M5×12	Screw pan M5×12	2	
BF737	155201017	轮钱倒缝座	Upper feed wheelasm seat	1	
BF738	C01086	内六角凹端紧钉螺钉M5×6	Screw pan M5×6	1	
BF739	C01227	内六角圆柱头螺钉M3×4	Screw pan M3×4	1	
BF740	C01049	圆柱销(B型-h级)3×28	Cylindrical pin(B-h)3×28	1	
BF741	155202013	弓形件滑动轴	Bow sliding shaft	1	
BF742	C01132	内六角圆柱头螺钉M5×10	Screw pan M5×10	2	
BF743	C01139	内六角圆柱头螺钉M4×8	Screw pan M4×8	2	
BF744	155212026	电磁铁固定板	Electromagnet fixed plate	1	
BF745	155209012	连接板	Connectionn plate	1	
BF746	15523000300	电磁铁(上下倒针切换)	Electromagnet	1	
BF747	155008001	固定环	Retaining ring	2	
BF748	1550S14001	螺钉	Screw	2	
BF749	155012003	盘形垫片	Disc gasket	4	
BF750	155003003	培林套管	Bearing casing	2	
BF751	155024003	滚针轴承	Needle bearing	2	
BF752	1550S11017	一字圆柱头螺丝	Screw pan	2	
BF753	C01130	内六角圆柱头螺钉M5×8	Screw pan M5×8	2	
BF754	1550S11018	一字圆柱头螺丝	Screw pan	1	

# 8.1 右边座机构 (JK-6691、JK-6692)

## RIGHT SIDE BRACKET MECHANISM



## 8.1 右边座机构 (JK-6691、JK-6692)

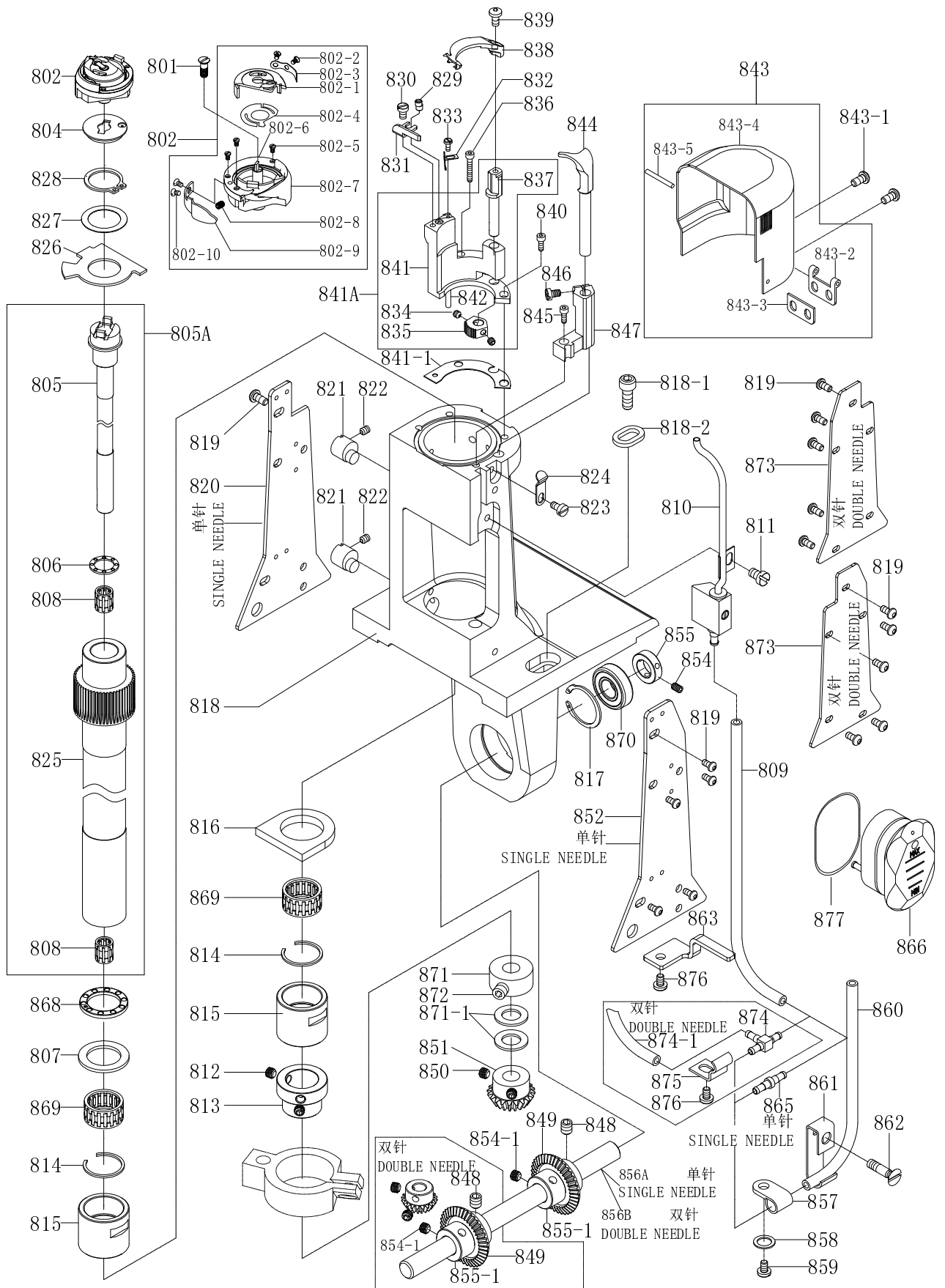
## RIGHT SIDE BRACKET MECHANISM

序号 NO.	件号 Part No.	零部件名称	Name of parts	数量 Amt.	备注
801	1550S11014	螺丝 M5×0.8×20	Screw pan M5×0.8×20	1	
802	15521800100	旋梭组件	Hook asm	1	
804	155209013	大釜护盖	Cauldron fender	1	
805A	15520201400	单针釜轴套管组件	Hook driver	1	
807	155228002	轴承垫片	Bearing gasket	1	
809	155221001	油管	Tubing	1	
810	15522100200	油管(组件)	Tubing (asm)	1	
811	1550S11013	开槽圆柱头螺钉M4×6	Screw pan M4×6	1	
812	1550S14001	内六角无头螺丝M6×0.75×6	Screw pan M6×0.75×6	2	
813	155203008	下套管	Running casing	1	
814	155229001	卡簧	Circlip	2	
815	155203009	斧轴套管	Axe shaft casing	2	
816	155223001	油棉垫	Oil cotton pad	1	
817	C01040	孔用挡圈M28	Circlips for hole	1	
818	155201018	单针边座	Single needle side seat	1	
818-1	C0194	内六角圆柱头螺钉M6×16	Screw pan M6×16	2	
818-2	155028002	垫片	Washer	2	
819	C01266	内六角平圆头螺钉M4×8	Screw pan M4×8	10	
820	155212027	边盖板(单针)	Side cover (single needle)	1	6691/6691-X/6681
821	155026003	调整销	Adjustig pin	2	
822	C01093	内六角凹端紧定螺钉M4×8	Screw pan M4×8	2	
823	1552S11001	开槽圆柱头螺钉	Screw	1	
824	155212028	弹簧板	Spring plate	1	
826	155222001	橡皮垫	Rubber mat	1	
827	155228003	垫片	Washer	1	
828	C01044	轴用挡圈M20	Circlips for shaft	1	
829	155226008	调节销	Adjustig pin	1	
830	1552s11002	螺钉	Screw	1	
831	155219001	定刀	Fixed knife	1	
832	155212029	弹片	shrapnel	1	
833	1552S11003	螺钉	Screw	1	
834	C01083	内六角凹端紧定螺钉M4×5	Screw pan M4×5	2	
836	C01161	内六角圆柱头螺钉M4×25	Screw pan M4×25	1	
838	155219002	动刀	Moving knife	1	
839	C01139	内六角圆柱头螺钉M4×8	Screw pan M4×8	1	
840	C01147	内六角圆柱头螺钉M4×12	Screw pan M4×12	1	
841A	15520101900	刀座组件	Tool holder assembly	1	
841-1	155212030	刀座垫片	Gasket of Tool holder	0	
843	15521203100	大釜盖组件	Post cap	1	
843-1	C01266	内六角平圆头螺钉M4×8	Screw pan M4×8	2	
844	155202015	牛角	Rotating hook opener	1	
845	C01147	内六角圆柱头螺钉M4×12	Screw pan M4×12	1	
846	C01139	内六角圆柱头螺钉M4×8	Screw pan M4×8	1	
847	155209014	牛角固定座	Rotating hook opener bracket	1	
848	1550S14001	内六角无头螺丝M6×0.75×6	Screw pan M6×0.75×6	2	
849	155025003	大齿轮	Bevel gear (large)	1	
850	1550S14001	内六角无头螺丝M6×0.75×6	Screw pan M6×0.75×6	2	
851	155025004	小齿轮	Bevel gear (small)	1	
852	155212032	边盖板	Side cover	1	6691/6691-X/6681
854	C01085	内六角凹端紧定螺钉M5×4	Screw pan M5×4	2	
854-1	1550S14001	内六角无头螺钉 M6×0.75×6	Screw pan M6×0.75×6	2	
855	155208005	定环	Stationary ring	1	
855-1	155008006	定环	Stationary ring	1	
856A	155202016	万向连接轴	Universal connecting shaft	1	6691/6691-X/6681



# 8.1 右边座机构 (JK-6691、JK-6692)

## RIGHT SIDE BRACKET MECHANISM

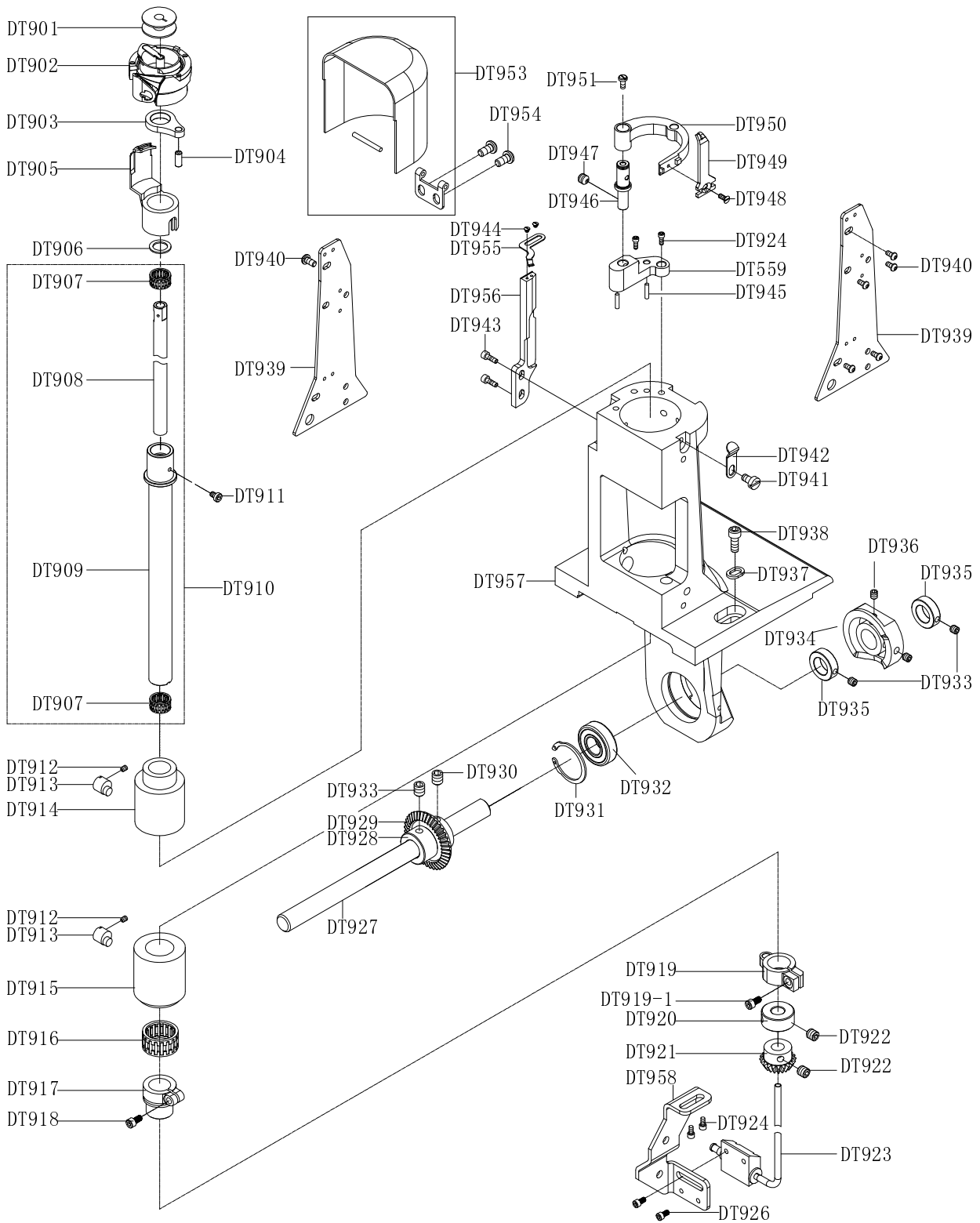


## 8.1 右边座机构 (JK-6691、JK-6692)

### RIGHT SIDE BRACKET MECHANISM

序号 NO.	件号 Part No.	零部件名称	Name of parts	数量 Amt.	备注
856B	155202017	万向连接轴	Universal connecting shaft	1	6692
857	155211010	油管护架	Tubing guard	1	
858	C01022	平垫圈M5	Flat washer M5	1	
859	C01139	内六角圆柱头螺钉M4×8	Screw pan M4×8	1	
860	155221003	油管	Tubing	1	
861	155212033	线卡	Ply-yard drill	1	
862	C01127	内六角圆柱头螺钉M4×16	Screw pan M4×16	1	
863	155212034	护线架	Thread guard	1	
865	155236001	油管接头	The tubing connector	1	6691/6691-X/6681
866	155211011	油镜	Oil mirror	1	
868	155224013	平面轴承	Plane bearing	1	
869	155224014	滚针轴承	Needle bearing	2	
870	B94049	滚珠轴承 (6001-2RZ/Z2)	Ball bearing (6001-2RZ/Z2)	1	
871	155008007	定环	Stationary ring	1	
871-1	155228005	垫片	Washer	2	
872	1550S14002	内六角无头平端螺丝	Screw	2	
873	155212035	双针边盖板	Side cover of double needle	2	6692
874	155236002	油管接头 三通	The tubing connector Tee	1	6692
874-1	155221004	油管	Tubing	1	6692
875	155212036	线卡	Ply-yard drill	1	6692
876	C01139	内六角圆柱头螺钉M4×10	Screw pan M4×10	1	6692
877	C0198	O型圈 32×1	O-ring 32×1	1	6692

## 8.2 右边座机构 (JK-6691-X) RIGHT SIDE BRACKET MECHANISM



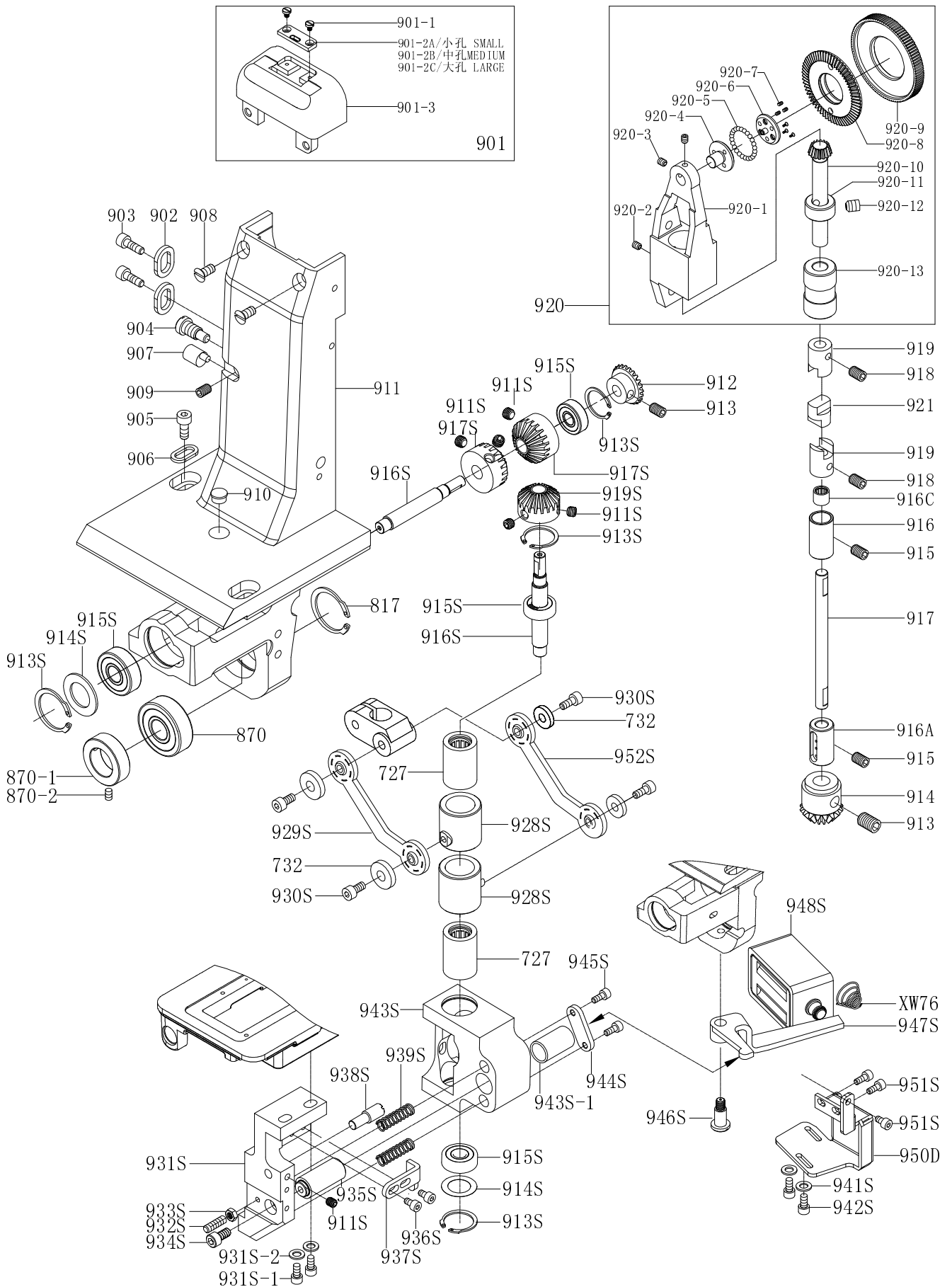
## 8.2 右边座机构零件明细 (JK-6691-X)

### RIGHT SIDE BRACKET MECHANISM

序号 NO.	件号 Part No.	零部件名称	Name of parts	数量 Amt.	备注
DT901	155418001	梭仔子	Shuttle	1	
DT902	15541800100	旋梭	Hook	1	进口旋梭
DT903	155405001	牛角摆杆	Rotating hook opener pendulum	1	
DT904	155426004	牛角摆杆销	Rotating hook opener swing pin	1	
DT905	155419002	动刀	Movable knife	1	
DT906	155428004	平垫片	Flat Washer	1	
DT910	15540200100	釜轴套管(组件)	Axe shaft casing (asm)	1	
DT911	C01227	内六角圆柱头螺钉	Screw pan	1	
DT912	C01093	内六角凹端紧定螺钉M4×6	Screw pan M4×6	2	
DT913	155026003	调整销	Adjustig pin	2	
DT914	155403001	釜轴大套管	Axe shaft large casing	1	
DT915	155408008	釜轴下衬套	Axe shaft lower bushing	1	
DT916	155424001	滚针轴承	Needle bearing	1	
DT917	155408006	釜轴下锁圈	Axe shaft locking ring	1	
DT918	C01134	内六角圆柱头螺钉M4×10	Screw pan M4×10	2	
DT920	155408005	定环	Stationary ring	1	
DT921	155425007	小齿轮	Bevel gear(samll)	1	
DT922	1550S14003	螺钉	Screw	2	
DT923	15542100100	油管组件	Tubing components	1	
DT924	C01134	内六角圆柱头螺钉M4×10	Screw pan M4×10	4	
DT926	C01142	内六角圆柱头螺钉M3×8	Screw pan M3×8	2	
DT927	155402008	万向连接轴(短)	Universal connecting shaft(short)	1	
DT928	155408003	定环	Stationary ring	1	
DT929	155425005	大齿轮	Bevel gear(large)	1	
DT930	1550S14001	螺钉M6×0.75×6	Screw M6×0.75×6	2	
DT931	C01040	孔用挡圈	Circlips for hole	2	
DT932	B94049	轴承6001-2RZ	Bearing 6001-2RZ	2	
DT933	C01083	内六角凹端紧定螺钉M4×5	Screw pan M4×5	4	
DT934	155401002	剪线凸轮	Trimming cam	1	
DT935	155408003	锁圈	Lock ring	2	
DT936	C01212	内六角凹端紧定螺钉M6×6	Screw pan M6×6	2	
DT937	155428002	垫片	Washer	4	
DT938	C0194	内六角圆柱头螺钉M6×16	Screw pan M6×16	4	
DT939	155212006	边盖板	Side cover	2	
DT940	C01266	内六角平圆头螺钉M4×8	Screw pan M4×8	8	
DT941	1552S11001	开槽圆柱头螺钉M4×6	Screw pan M4×6	1	
DT942	155212028	弹簧板	Spring plate	1	
DT943	C01127	内六角圆柱头螺钉M4×16	Screw pan M4×16	2	
DT944	1554S10001	动刀螺丝	Screw	2	
DT945	C01280	圆柱销3×8	Cylindrical pin3×8	2	
DT946	155426001	牛角座销	Rotating hook opener bracket pin	1	
DT947	C01093	内六角凹端紧定螺钉M4×6	Screw pan M4×6	1	
DT948	1554S10004	牛角螺钉	Screw	1	
DT949	155402002	牛角	Rotating hook opener	1	
DT950	155409002	牛角座	Rotating hook opener bracket	1	
DT951	1554S10005	牛角销螺钉	Screw	1	
DT953	15521203100	釜盖组件	Kettle cover assembly	1	
DT954	C01266	内六角平圆头螺钉M4×8	Screw pan M4×8	2	
DT955	155412001	夹线弹片	Clipping shrapnel	1	
DT956	155401005	夹线弹片座	Clipping shrapnel seat	1	
DT957	155201018	单针边座	Single needle side seat	1	
DT958	155412003	油管支架	Tubing bracket	1	
DT959	155409005	牛角座接块	Rotating hook opener bracket linker	1	

# 9.1 单针中座及下倒缝机构 (JK-6691)

## SINGLE NEEDLE CENTRAL BRACKET MECHANISM



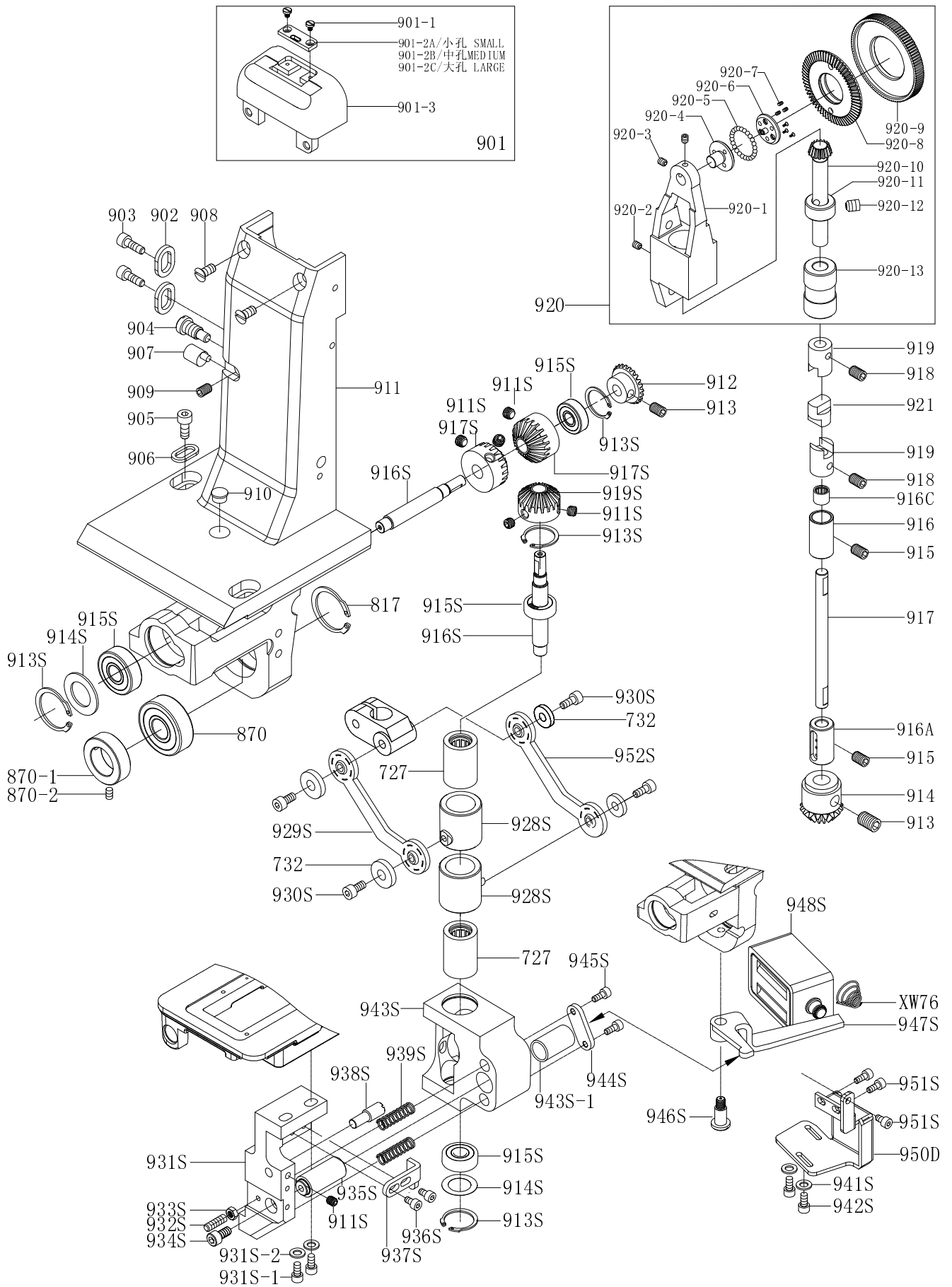
## 9.1 单针中座及下倒缝机构 (JK-6691)

### SINGLE NEEDLE CENTRAL BRACKET MECHANISM

序号 NO.	件号 Part No.	零部件名称	Name of parts	数量 Amt.	备注
727	155024010	滚针轴承	Needle bearing	2	
732	155023003	油棉垫	Oil cotton pad	2	
817	C01040	孔用挡圈 28	Circlips for hole	1	
870	B94049	轴承6001-2RZ	Bearing 6001-2RZ	1	
870-1	155208007	定环	Stationary ring	1	
870-2	C01083	内六角凹端紧定螺钉M4×5	Screw pan M4×5	2	
901	15521500100	单针针板	Throat plate	1	
902	155028002	垫片	Washer	2	
903	C01132	内六角圆柱头螺钉M5×12	Screw pan M5×12	2	
904	1550S11015	一字圆柱头螺丝	Screw	1	
905	C0194	内六角圆柱头螺钉M6×16	Screw pan M6×16	2	
906	155028002	垫片	Washer	2	
907	155026005	调整销	Adjustig pin	1	
908	C0193	开槽沉头螺钉M4×8	Screw pan M4×8	2	
909	C01091	内六角凹端紧定螺钉M4×10	Screw pan M4×10	1	
910	155211004	压棒盖	Cover for pressing stick	1	
911	155201025	单针中座	Support plate	1	
912	155025006	中座小齿轮	Bevel gear	1	
913	1550S14001	螺钉M6×0.75×6	Screw M6×0.75×6	4	
914	155025007	中座小齿轮	Bevel gear	1	
915	C01083	内六角凹端紧定螺钉M4×6	Screw pan M4×6	2	
916	155203010	套管	Casing	1	
916A	155003009	下套管	Running casing	1	
916C	155224015	滚针轴承	Needle bearing	1	
917	155002005	中座轴	Shaft	1	
918	C01085	内六角凹端紧定螺钉M5×4	Screw pan M5×4	4	
919	155009009	轴连接器	Shaft connector	2	
920	15522500800	单针送金组件	Single needle feeding component	1	
921	155011005	塑料接头	Plastic connector	1	
911S	C01086	内六角凹端紧定螺钉M5×6	Screw pan M5×6	7	
913S	155012014	C型扣环	C-shaped buckle	4	
914S	155228006	调整垫片	Adjiusin washer	2	
915S	155024012	轴承608ZZ	Bearing 608ZZ	4	
916S	155002006	轴承轴	Bearing shaft	2	
917S	155225006	锥形齿轮	Bevel gear	2	
919S	155225007	锥形齿轮	Bevel gear	1	
928S	155224016	单向轴承座 NA/SK	One-way bearing holder NA/SK	2	
929S	155205007	万向连杆A	Universal connecting rod A	1	
930S	C01134	内六角圆柱头螺钉M4×10	Screw pan M4×10	2	
931S	155201024	倒针座	Holder of backstitch	1	
931S-1	C01145	内六角圆柱头螺钉M6×20	Screw pan M6×20	2	
931S-2	C01020	平垫圈M6	Flat washer M6	2	
932S	C0177	内六角平端紧定螺钉M4×16	Screw pan M4×16	1	
933S	C01070	六角螺母M4	Nut M4	1	
934S	C01137	内六角圆柱头螺钉M5×10	Screw pan M5×10	1	
935S	155226011	滑动销	Sliding pin	1	
936S	C01134	内六角圆柱头螺钉M4×8	Screw pan M4×8	2	
937S	155212039	滑块限位座	Limited seat of slider	1	
938S	155226012	调节销	Adjustig pin	1	
939S	155227017	压簧	Compression spring	2	
941S	C01022	平垫圈M4	Flat washer M4	2	
942S	C01139	内六角圆柱头螺钉M4×8	Screw pan M4×8	2	
943S	155209017	倒针滑块	Slider of backstitch	1	
943S-1	155211007	滑套	Sliding sleeve	1	

# 9.1 单针中座及下倒缝机构 (JK-6691)

## SINGLE NEEDLE CENTRAL BRACKET MECHANISM



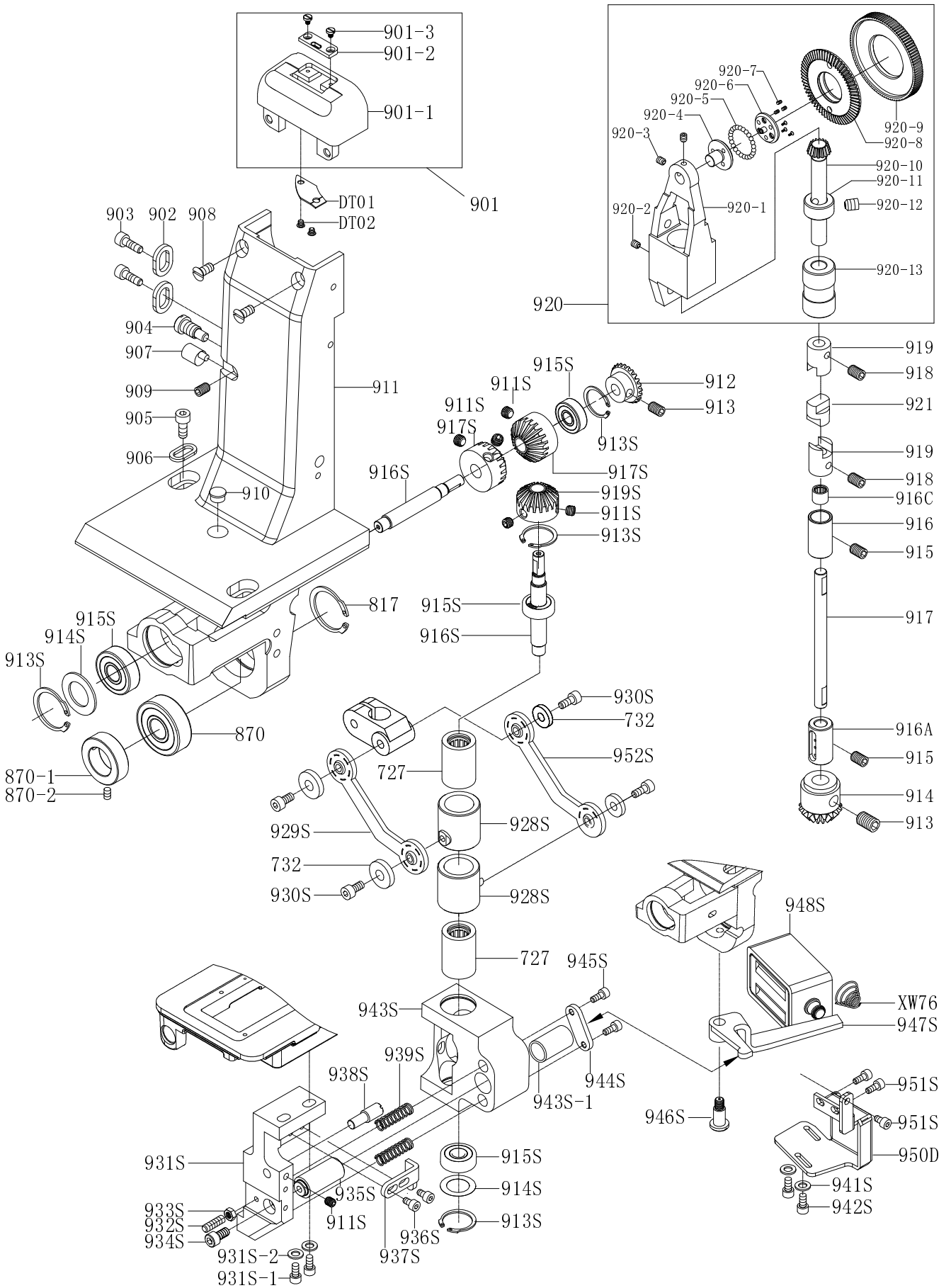
## 9.1 单针中座及下倒缝机构 (JK-6691)

### SINGLE NEEDLE CENTRAL BRACKET MECHANISM

序号 NO.	件号 Part No.	零部件名称	Name of parts	数量 Amt.	备注
944S	155209006	顶杆挡块	Baffle plate of ejection pin	1	
945S	C01142	内六角圆柱头螺钉M3×8	Screw pan M3×8	2	
946S	155220001	螺钉	Screw	1	
947S	155212040	顶杆	Ejection pin	1	
948S	15523000300	下送金倒针电磁阀	Solenoid valve for backstitch	1	
950D	155212041	下倒针电磁阀座	Solenoid valve seat	1	
951S	C01137	内六角圆柱头螺钉M5×8	Screw pan M5×8	3	
952S	155205008	万向连杆B	Universal connecting rod B	1	
×W76	155227016	锥形弹簧	Conical spring	1	



## 9.2 单针中座及下倒缝机构 (JK-6691-X) SINGLE NEEDLE CENTRAL BRACKET MECHANISM



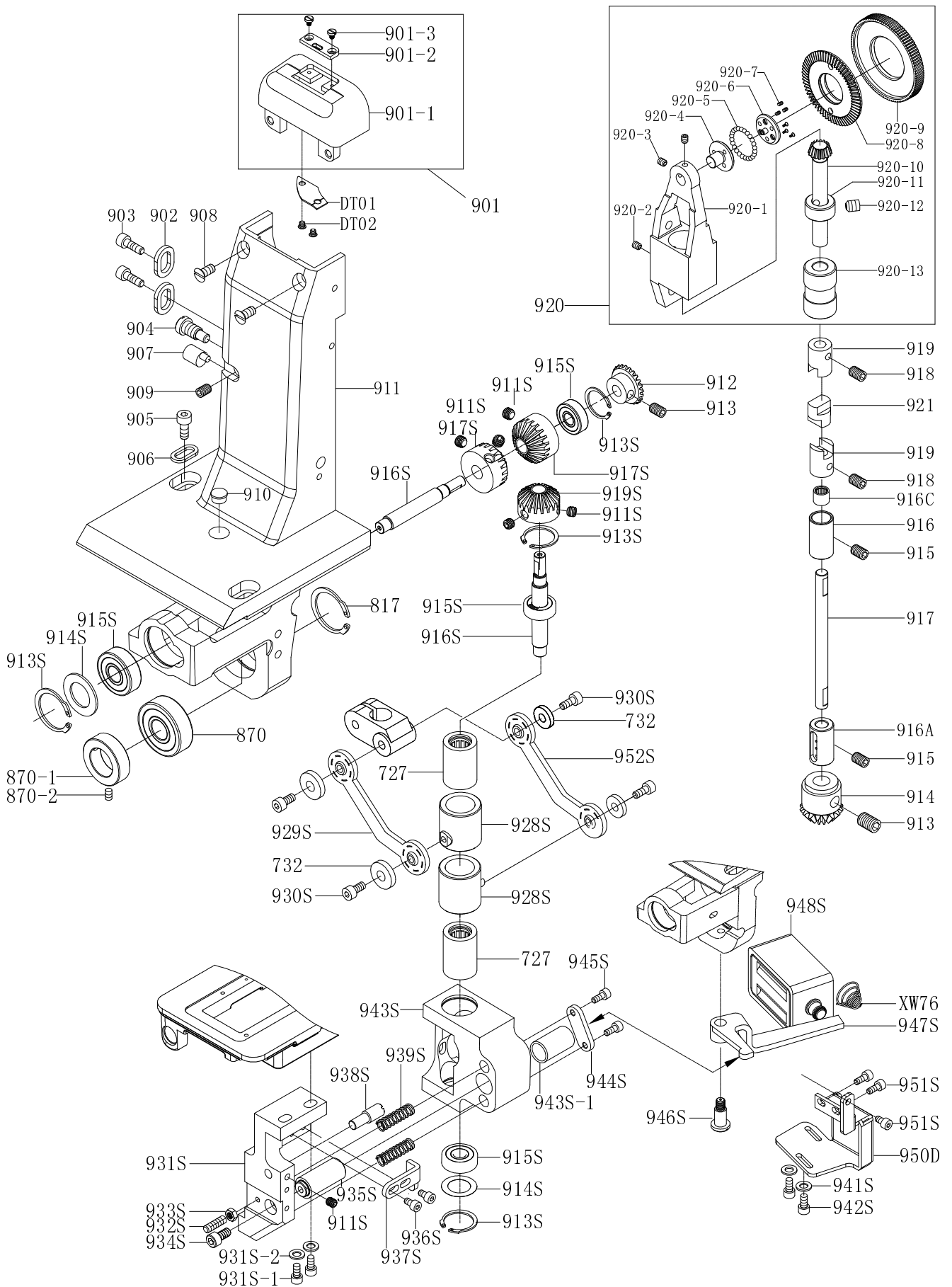
## 9.2 单针中座及下倒缝机构 (JK-6691-X)

SINGLE NEEDLE CENTRAL BRACKET MECHANISM

序号 NO.	件号 Part No.	零部件名称	Name of parts	数量 Amt.	备注
DT01	155419001	定刀	Fixed knife	1	
DT02	1554S10001	定刀螺钉	Screw	2	
727	155024010	滚针轴承	Needle bearing	2	
732	155023003	油棉垫	Oil cotton pad	2	
817	C01040	孔用挡圈 28	Retaining ring 28	1	
870	B94049	轴承6001-2RZ	Bearing6001-2RZ	1	
870-1	155208007	定环	Ring	1	
870-2	C01083	内六角凹端紧定螺钉M4×5	Screw pan M4×5	2	
901	15521500200	单针短线头针板	Single needle short lined plate	1	
902	155028002	垫片	Washer	2	
903	C01132	内六角圆柱头螺钉M5×12	Screw pan M5×12	2	
904	1550S11015	一字圆柱头螺丝	Screw pan	1	
905	C0194	内六角圆柱头螺钉M6×16	Screw pan M6×16	2	
906	155028002	垫片	Washer	2	
907	155026005	调整销	Adjusting pin	1	
908	C0193	开槽沉头螺钉M4×8	Screw pan M4×8	2	
909	C01091	内六角凹端紧定螺钉M4×10	Screw pan M4×10	1	
910	155211004	压棒盖	Pressure bar cover	1	
911	155201027	短线头单针中座	Single needle short lined bevel	1	
912	155025006	中座小齿轮	Bevel gear	1	
913	1550S14001	螺钉M6×0.75×6	Screw M6×0.75×6	4	
914	155025007	中座小齿轮	Bevel gear	1	
915	C01083	内六角凹端紧定螺钉M4×6	Screw pan M4×6	2	
916	155203010	套管	Casing	1	
916A	155003009	下套管	Running casing	1	
916C	155224015	滚针轴承	Needle bearing	1	
917	155002005	中座轴	Shaft	1	
918	C01085	内六角凹端紧定螺钉M5×4	Screw pan M5×4	4	
919	155009009	轴连接器	Shaft connector	2	
920	15522500800	单针送金组件	Single needle feeding component	1	
921	155011005	塑料接头	Plastic connector	1	
911S	C01086	内六角凹端紧定螺钉M5×6	Screw pan M5×6	7	
913S	155012014	C型扣环	C-shaped buckle	4	
914S	155228006	调整垫片	Washer	2	
915S	155024012	轴承608ZZ	Bearing 608ZZ	4	
916S	155002006	培林轴	Shaft	2	
917S	155225006	锥形齿轮	Bevel gear	2	
919S	155225007	锥形齿轮	Bevel gear	1	
928S	155224016	单向培林座 NA/SK	One-way bearing holder NA/SK	2	
929S	155205007	万向连杆A	Universal joint A	1	
930S	C01134	内六角圆柱头螺钉M4×10	Screw pan M4×10	2	
931S	155201024	倒针座	Holder of backstitch	1	
931S-1	C01145	内六角圆柱头螺钉M6×20	Screw pan M6×20	2	
931S-2	C01020	平垫圈M6	Flat Washer M6	2	
932S	C0177	内六角平端紧定螺钉M4×16	Screw pan M4×16	1	
933S	C01070	六角螺母M4	Nut M4	1	
934S	C01137	内六角圆柱头螺钉M5×10	Screw pan M5×10	1	
935S	155226011	滑动销	Sliding pin	1	
936S	C01134	内六角圆柱头螺钉M4×8	Screw pan M4×8	2	
937S	155212039	滑块限位座	Limited seat of slider	1	
938S	155226012	调节销	Adjustig pin	1	
939S	155227017	压簧	Compression spring	2	
941S	C01022	平垫圈M4	Flat Washer M4	2	
942S	C01139	内六角圆柱头螺钉M4×8	Screw pan M4×8	2	

## 9.2 单针中座及下倒缝机构 (JK-6691-X)

### SINGLE NEEDLE CENTRAL BRACKET MECHANISM



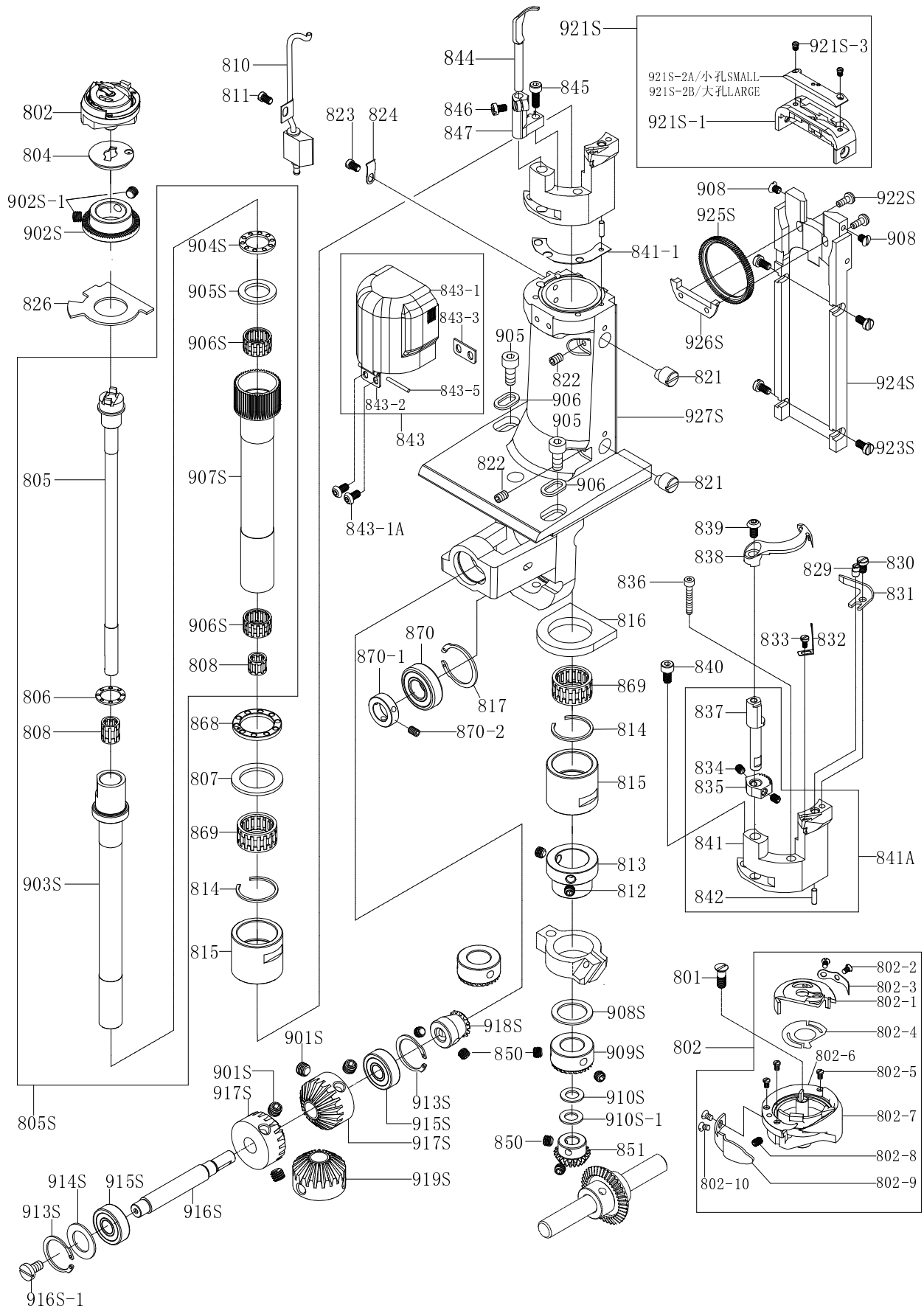
## 9.2 单针中座及下倒缝机构 (JK-6691-X)

### SINGLE NEEDLE CENTRAL BRACKET MECHANISM

序号 NO.	件号 Part No.	零部件名称	Name of parts	数量 Amt.	备注
943S	155209017	倒针滑块	Slider of backstitch	1	
943S-1	155211007	滑套	Sliding sleeve	1	
944S	155209006	顶杆挡块	Baffle plate of ejection pin	1	
945S	C01142	内六角圆柱头螺钉M3×8	Screw pan M3×8	2	
946S	155220001	螺钉	Screw	1	
947S	155212040	顶杆	Ejection pin	1	
948S	15523000300	下送金倒针电磁阀	Solenoid valve for backstitch	1	
950D	155212041	下倒针电磁阀座	Solenoid valve seat	1	
951S	C01137	内六角圆柱头螺钉M5×8	Screw pan M5×8	3	
952S	155205008	万向连杆B	Universal joint B	1	
×W76	155227016	锥形弹簧	Conical spring	1	

# 10.1 双针左边座及中座机构

## DOUBLE NEEDLE LEFT SIDE BRACKET & CENTRAL BRACKET MECHANISM



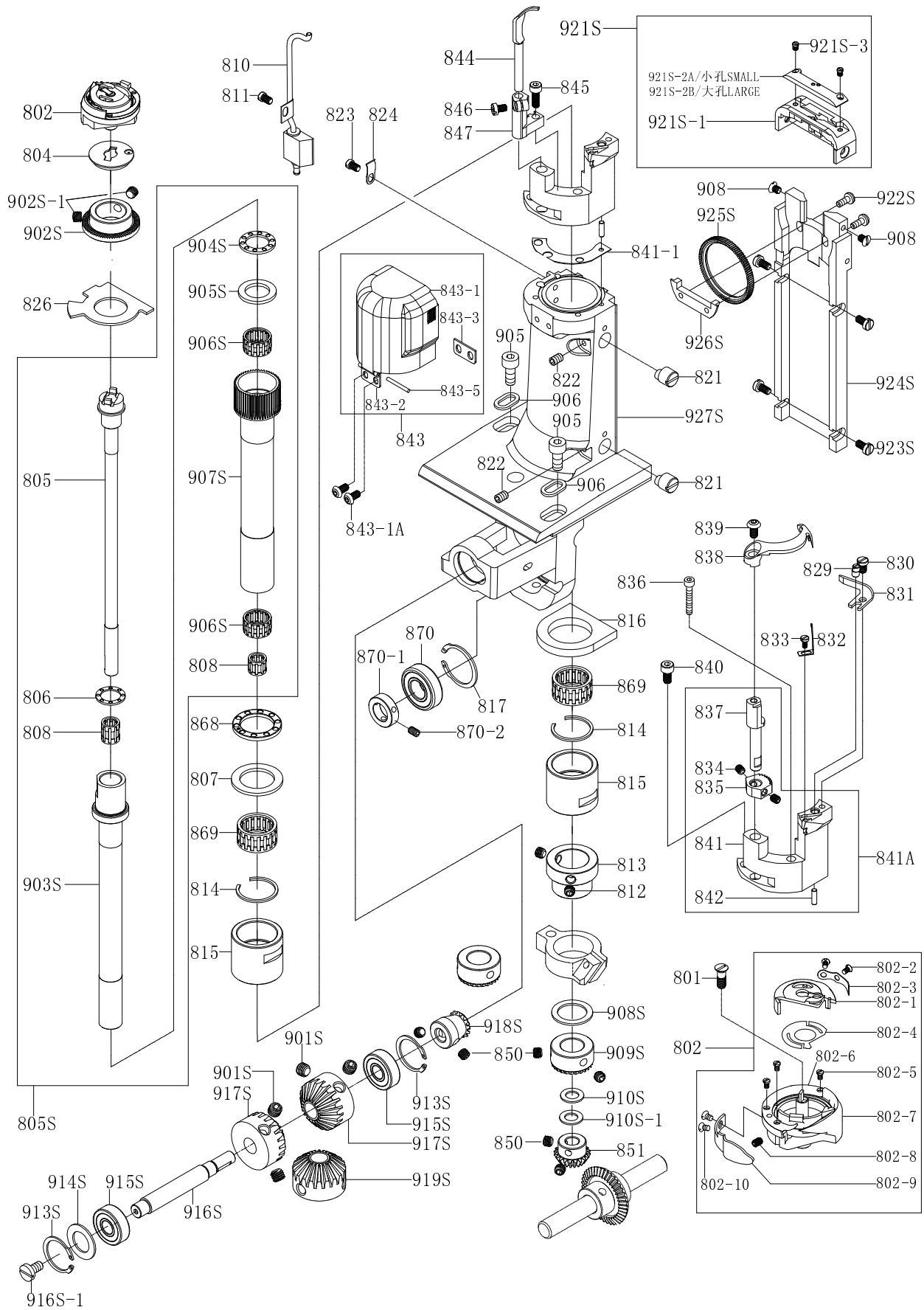
## 10.1 双针左边座及中座机构 (JK-6692)

## DOUBLE NEEDLE LEFT SIDE BRACKET &amp; CENTRAL BRACKET MECHANISM

序号 NO.	件号 Part No.	零部件名称	Name of parts	数量 Amt.	备注
801	1550S11014	螺丝 M5×0.8×20	Screw pan M5×0.8×20	1	
802	15521800100	旋梭组件	Hook asm	1	
804	155209013	大釜护盖	Cauldron fender	1	
805S	5530200100	釜轴(双针组件)	Shaft	1	
807	155228002	轴承垫片	Bearing gasket	1	
810	15522100200	油管组件	Tubing components	1	
811	1550S11013	开槽圆柱头螺钉M4×6	Screw pan M4×6	1	
812	1550S14001	螺钉M6×6	Screw M6×6	2	
813	155203008	下套管	Running casing	1	
814	155229001	卡簧	Circlip	2	
815	155203009	釜轴套管	Axe shaft casing	2	
816	155223001	油棉垫	Oil cotton pad	1	
817	C01040	孔用挡圈M28	Circlips for hole	1	
821	155026003	调整销	Adjustig pin	2	
822	C01093	内六角凹端紧定螺钉M4×8	Screw pan M4×8	2	
823	1552S11001	开槽圆柱头螺钉	Screw	1	
824	155212028	弹簧板	Spring plate	1	
826	155222001	橡皮垫	Rubber mat	1	
829	155226008	调节销	Adjustig pin	1	
830	1552S11002	螺钉	Screw	1	
831	155219001	定刀	Fixed knife	1	
832	155212029	弹片	Shrapnel	1	
833	1552S11003	螺钉	Screw	1	
836	C01161	内六角圆柱头螺钉M4×25	Screw pan M4×25	1	
838	155219002	动刀	Moving knife	1	
839	C01139	内六角圆柱头螺钉M4×8	Screw pan M4×8	1	
840	C01147	内六角圆柱头螺钉M4×12	Screw pan M4×12	1	
841A	155201026	刀座(组件)	Tool holder (assembly)	1	
843	15521203100	大釜盖组件	Large kettle cover assembly	1	
843-1A	C01266	内六角平圆头螺钉M4×8	Screw pan M4×8	2	
844	155202015	牛角	Rotating hook opener	1	
845	C01147	内六角圆柱头螺钉M4×12	Screw pan M4×12	1	
846	C01139	内六角圆柱头螺钉M4×8	Screw pan M4×8	1	
847	155209014	牛角固定座	Rotating hook opener bracket	1	
850	1550S14001	内六角无头螺丝M6×0.75×6	Screw pan M6×0.75×6	6	
851	155025004	小齿轮	Bevel gear(saml)	1	
868	155224013	平面轴承	Plane bearing	1	
869	155224014	滚针轴承	Needle bearing	2	
870	B94049	轴承 6001-2RZ	Bearing 6001-2RZ	1	
870-1	155208007	定环	Stationary ring	1	
870-2	C01083	内六角凹端紧定螺钉M4×5	Screw pan M4×5	2	
901S	C01086	内六角凹端紧定螺钉M5×6	Screw pan M5×6	4	
902S	155225009	送料平面齿轮	Plane gear of feeding	2	
902S-1	1550S20002	内六角凹端紧定螺钉	Screw	1	
905	C0194	内六角圆柱头螺钉M6×16	Screw pan M6×16	2	
906	155028002	垫片	Washer	2	
908	C0193	开槽沉头螺钉M4×8	Screw pan M4×8	2	
908S	155228007	调整垫片	Adjusting washer	1	
909S	155225010	送料大齿轮	Bevel gear(large)	1	
910S	155228005	调整垫片	Adjusting washer	1	
910S-1	155228008	垫片	Washer	2	
913S	155012014	C型扣环	C-shaped buckle	2	
914S	155228006	调整垫片	Adjusting washer	1	
915S	155024012	轴承608ZZ	Bearing 608ZZ	2	

# 10.1 双针左边座及中座机构

## DOUBLE NEEDLE LEFT SIDE BRACKET & CENTRAL BRACKET MECHANISM



## 10.1 双针左边座及中座机构 (JK-6692)

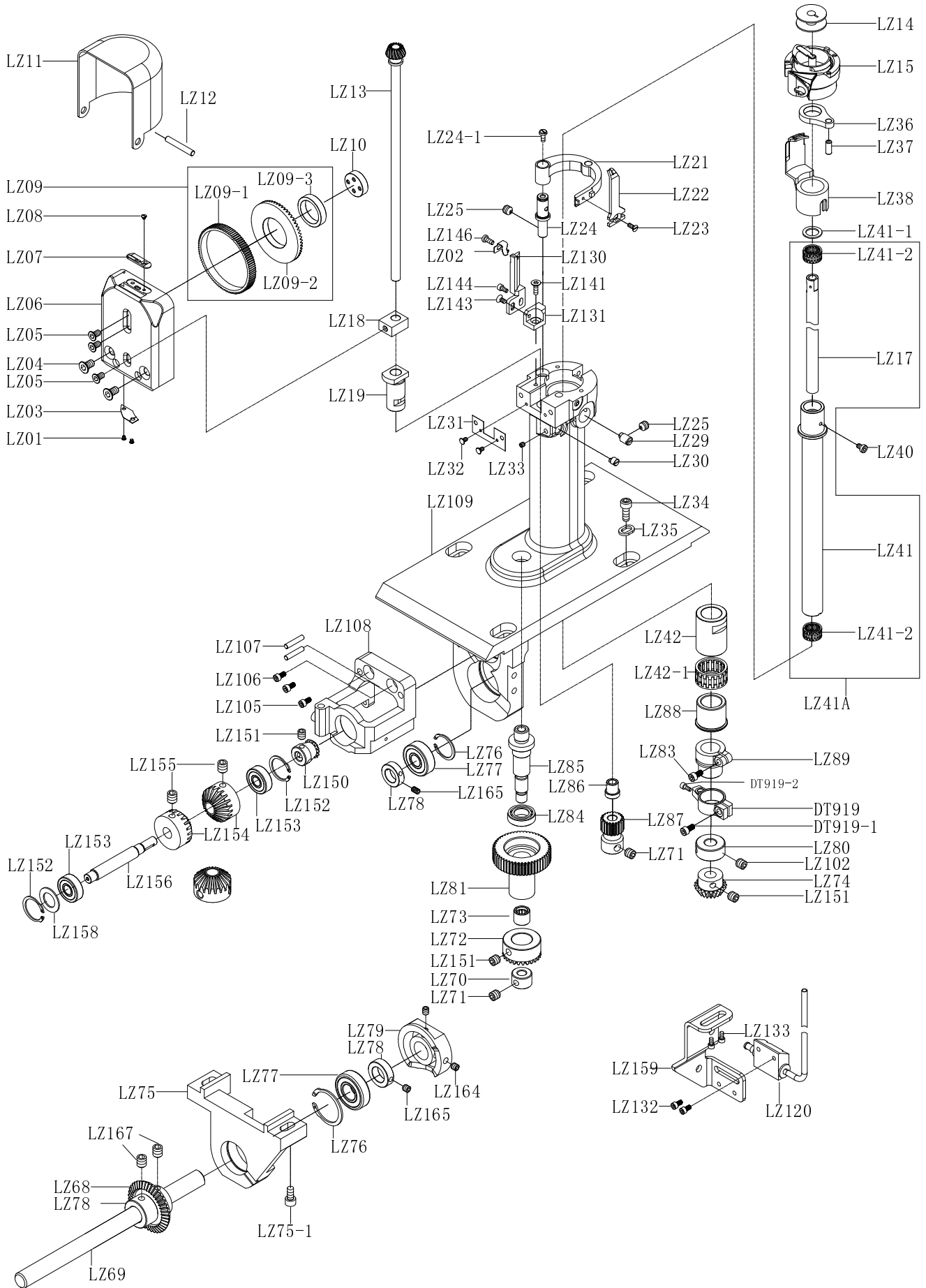
## DOUBLE NEEDLE LEFT SIDE BRACKET &amp; CENTRAL BRACKET MECHANISM

序号 NO.	件号 Part No.	零部件名称	Name of parts	数量 Amt.	备注
916S	155002006	轴承轴	Bearing shaft	1	
916S-1	1550S11012	螺钉 M4×0.7×8	Screw pan M4×0.7×8	1	
917S	155225006	锥形齿轮	Bevel gear	2	
918S	155225011	送料齿轮	Feeding gear	1	
921S	5531500100	双针针板组件	Throat plate	1	
922S	1550S11014	螺丝 M4×0.7×10	Screw pan M4×0.7×10	2	
923S	1550S11015	螺丝 M4×8	Screw pan M4×8	4	
924S	55301001	双针中座	Support plate	1	
925S	155225012	送料齿轮	Feeding gear	1	
926S	155209021	固定板	Thrust collar	1	
927S	5530100200	双针左边座	Side bracket(left)	1	



# 10.2 细柱中座机构 (JK-6681)

## CENTRAL BRACKET MECHANISM



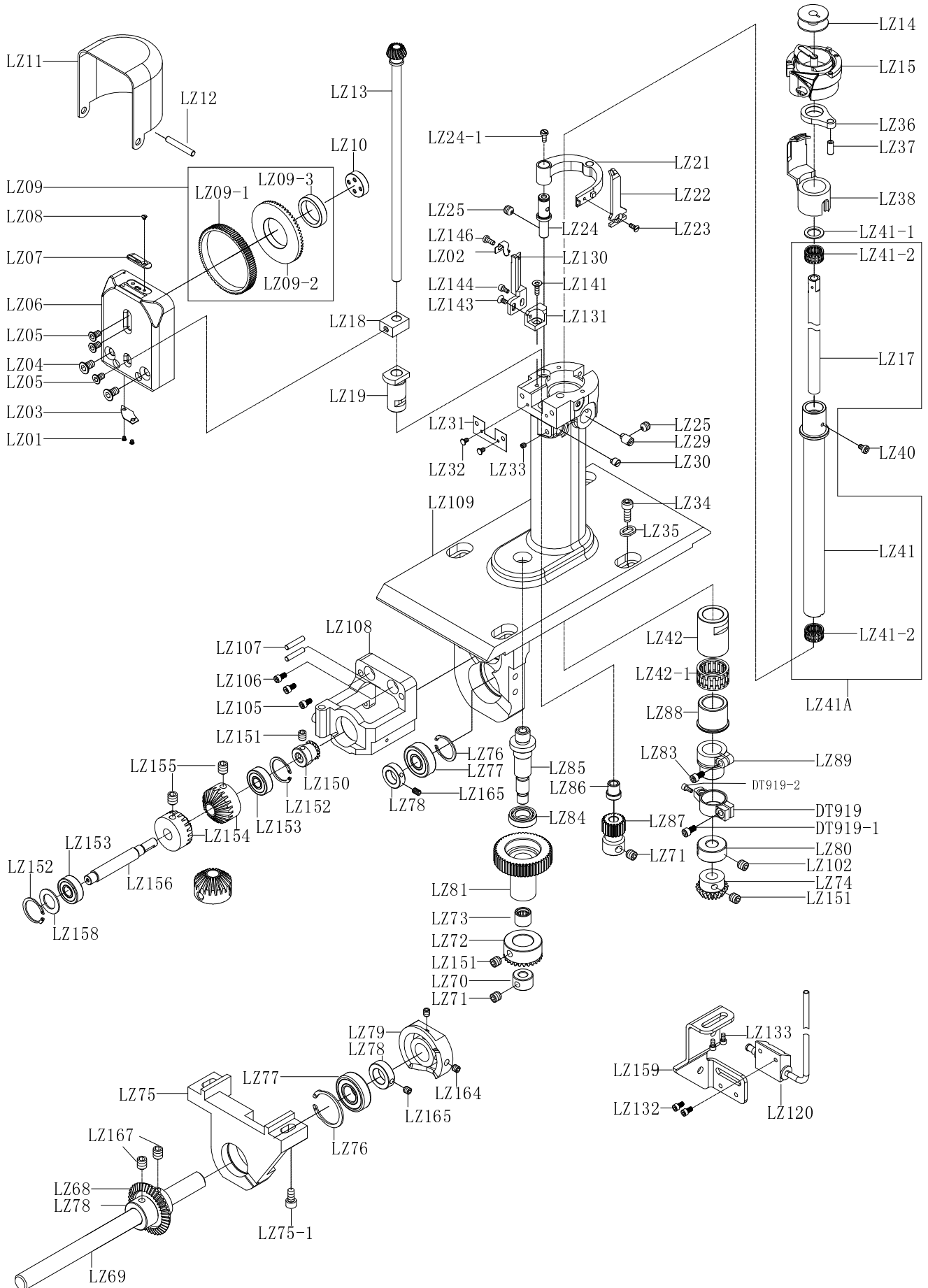
## 10.2 细柱中座机构零件明细 (JK-6681)

## CENTRAL BRACKET MECHANISM

序号 NO.	件号 Part No.	零部件名称	Name of parts	数量 Amt.	备注
LZ01	1554S10001	定刀螺钉	Screw	2	
LZ02	155412001	夹线弹片	Clipping shrapnel	1	
LZ03	155419001	定刀	Fixed knife	1	
LZ04	C01103	内六角沉头螺钉M4×8	Screw pan M4×8	2	
LZ05	C01102	内六角沉头螺钉M3×6	Screw pan M3×6	3	
LZ06	15541500100	针板座	Needle plate holder	1	
LZ07	155415001	针板片	Needle plate	1	
LZ08	1554S10002	针板螺钉	Screw	1	
LZ09	15542500100	下送金组件	Under feeding component(asm)	1	
LZ10	155425004	送金销	Pin	1	
LZ11	155412002	大金盖	Large kettle cove	1	
LZ12	C01048	圆柱销3×20	Cylindrical pin3×20	1	
LZ13	155402001	下送金小齿轮	Feeding component bevel gear(small)	1	
LZ14	155418001	梭仔子	Shuttle	1	
LZ15	15541800100	旋梭	Hook	1	
LZ18	155408001	送料齿轮导向套	Feeding gear guide sleeve	1	
LZ19	155409001	送料齿轮调整套	Feeding gear adjusting sleeve	1	
LZ21	155409002	牛角座	Rotating hook opener bracket	1	
LZ22	155402002	牛角	Rotating hook opener	1	
LZ23	1554S10004	牛角螺钉	Screw	1	
LZ24	155426001	牛角座销	Rotating hook opener bracket pin	1	
LZ24-1	1554S10005	牛角销螺丝	Screw	1	
LZ28	C01093	内六角凹端紧定螺钉M4×6	Screw pan M4×6	2	
LZ29	155426002	调整销	Adjustig pin	1	
LZ30	155426003	调整销	Adjustig pin	1	
LZ31	155428001	针板调整垫片	Adjustig washer	1	
LZ32	1554S10003	定位螺钉	Screw pan	2	
LZ33	C01093	内六角凹端紧定螺钉M4×6	Screw pan M4×6	1	
LZ34	C0194	内六角圆柱头螺钉M6×16	Screw pan M6×16	4	
LZ35	155428002	垫片	Washer	4	
LZ36	155405001	牛角摆杆	Rotating hook opener pendulum	1	
LZ37	155426004	牛角摆杆销	Rotating hook opener swing pin	1	
LZ38	155419002	动刀	Movable knife	1	
LZ40	C01227	内六角圆柱头螺钉M3×4	Screw pan M3×4	1	
LZ41-1	155428004	平垫圈	Flat Washer	1	
LZ41A	15540200100	釜轴套管(组件)	Axe shaft casing(asm)	1	
LZ42	155403001	釜轴大套管	Axe shaft large casing	1	
LZ42-1	155424001	滚针轴承	Needle bearing	1	
LZ68	155425005	大齿轮	Bevel gear(large)	1	
LZ69	155202016	万向连接轴	Universal connecting shaft	1	
LZ70	155408002	锁圈	Lock ring	1	
LZ71	C01092	内六角凹端紧定螺钉M4×4	Screw pan M4×4	4	
LZ72	155425006	送料大齿轮	Bevel gear(large)	1	
LZ73	B94024	HK0709滚针轴承	HK0709 needle bearing	1	
LZ74	155425007	小齿轮	Bevel gear(small)	1	
LZ75	155401001	轴承座	Bearing holder	1	
LZ75-1	C01145	内六角圆柱头螺钉	Screw pan M4×8	2	
LZ76	C01040	孔用挡圈	Circlips for hole	2	
LZ77	B94049	轴承6001-2RZ	Bearing 6001-2RZ	2	
LZ78	155408003	锁圈	Lock ring	3	
LZ79	155401002	剪线凸轮	Trimming cam	1	
LZ80	155408005	定环	Ring	1	
LZ81	155425008	下送料大齿轮	Bevel gear(large)	1	

# 10.2 细柱中座机构 (JK-6681)

## CENTRAL BRACKET MECHANISM

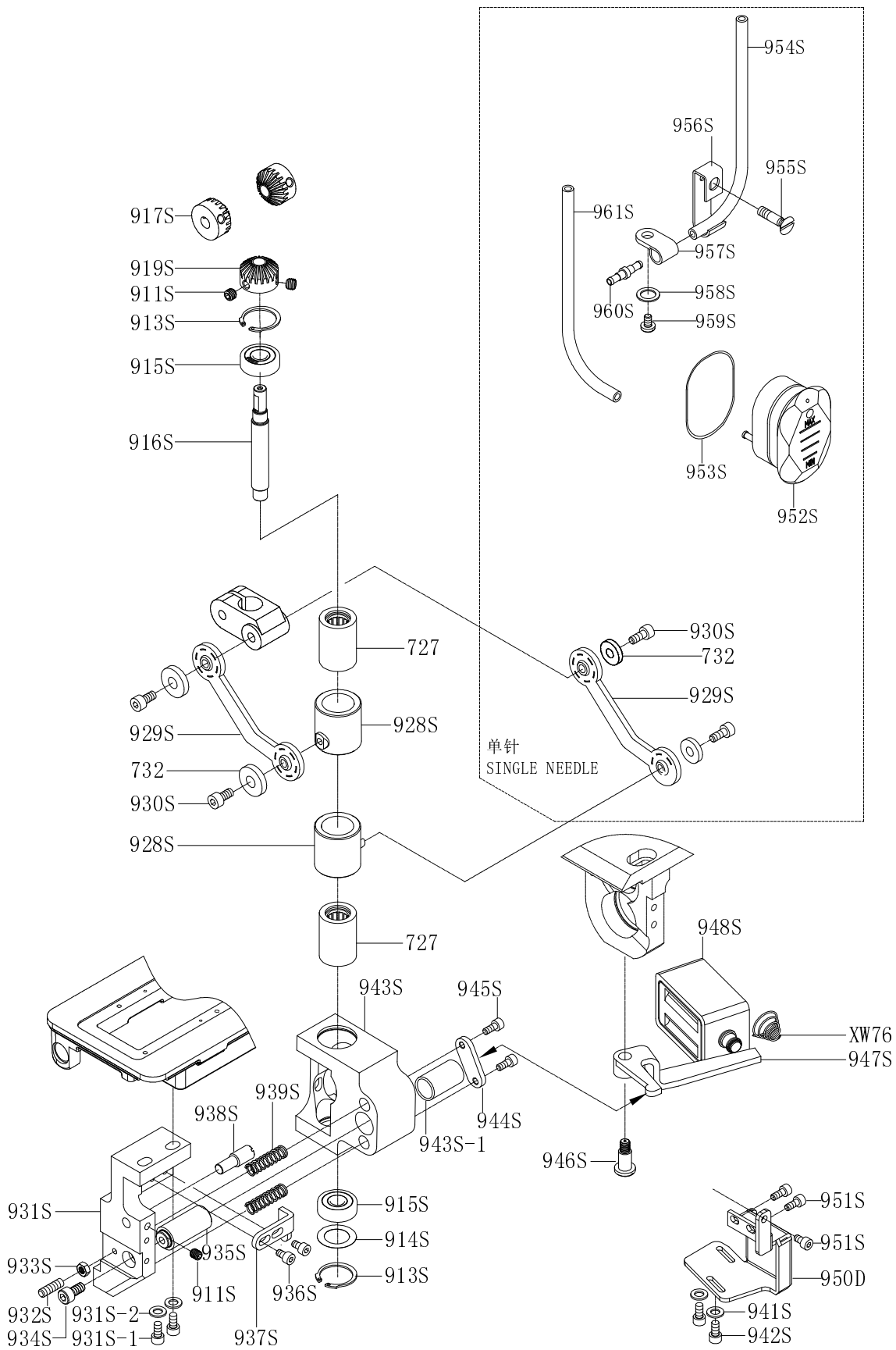


## 10.2 细柱中座机构零件明细 (JK-6681)

## CENTRAL BRACKET MECHANISM

序号 NO.	件号 Part No.	零部件名称	Name of parts	数量 Amt.	备注
LZ84	B94063	轴承6800-ZZ	Bearing6800-ZZ	1	
LZ85	155402003	下送料齿轮轴	Feed rocker shaft	1	
LZ86	155409003	送料轴下衬套	Feeding shaft lower bushing	1	
LZ87	155425009	下送料小齿轮	Bevel gear(small)	1	
LZ88	155409004	釜轴下衬套	Axe shaft lower bushing	1	
LZ89	155408006	釜轴下锁圈	Axe shaft locking ring	1	
LZ102	1550S14003	内六角平端无头螺钉	Screw pan	2	
LZ105	C01226	内六角圆柱头螺钉M3×12	Screw pan M3×12	1	
LZ106	C01125	内六角圆柱头螺钉M6×12	Screw pan M6×12	2	
LZ107	C01045	销φ5×16	Pin φ5×16	2	
LZ108	155401003	中座后固定座	Middle seat fixed block	1	
LZ109	155401004	中座	Middle seat	1	
LZ120	15542100100	油管组件	Tubing components	1	
LZ130	155401005	夹线弹片座	Clipping shrapnel seat	1	
LZ131	155401006	固定块	Fixed block	1	
LZ132	C01142	内六角圆柱头螺钉	Screw pan	2	
LZ133	C01134	内六角圆柱头螺钉M4×10	Screw pan M4×10	2	
LZ141	C01102	内六角沉头螺钉M3×6	Screw pan M3×6	1	
LZ143	1554S17001	螺钉	Screw	1	
LZ144	C01140	内六角圆柱头螺钉M2.5×5	Screw pan M2.5×5	1	
LZ146	1554S13001	螺钉M2	Screw M2	1	
LZ150	155425010	送料齿轮	Feeding gear	1	
LZ151	1550S14001	螺钉M6×0.75×6	Screw M6×0.75×6	8	
LZ152	155012014	C型扣环	C-Retaining ring	2	
LZ153	155024012	轴承	Bearing	2	
LZ154	155425011	锥形齿轮	Bevel gear	2	
LZ155	C01086	内六角凹端紧定螺钉	Screw pan	4	
LZ156	155402004	培林轴	Shaft	1	
LZ158	155428003	调整垫片	Washer	1	
LZ159	155412003	油管座	Tubing seat	1	
LZ164	C01212	内六角凹端紧定螺钉M6×6	Screw pan M6×6	2	
LZ165	C01083	内六角凹端紧定螺钉M4×5	Screw pan M4×5	4	
LZ167	1550S14001	螺钉M6×0.75×6	Screw M6×0.75×6	4	
DT919	155405002	刀轴摆杆	Pendulum of knife shaft	1	
DT919-1	C01134	内六角圆柱头螺钉M4×10	Screw pan M4×10	2	
DT919-2	C01169	内六角圆柱头螺钉M3×6	Screw pan M3×6	1	

11 倒针机构 (JK-6692、JK-6691-X、JK-6681)  
 REVERSE STITCHING & THREAD TRIMMING MECHANISM

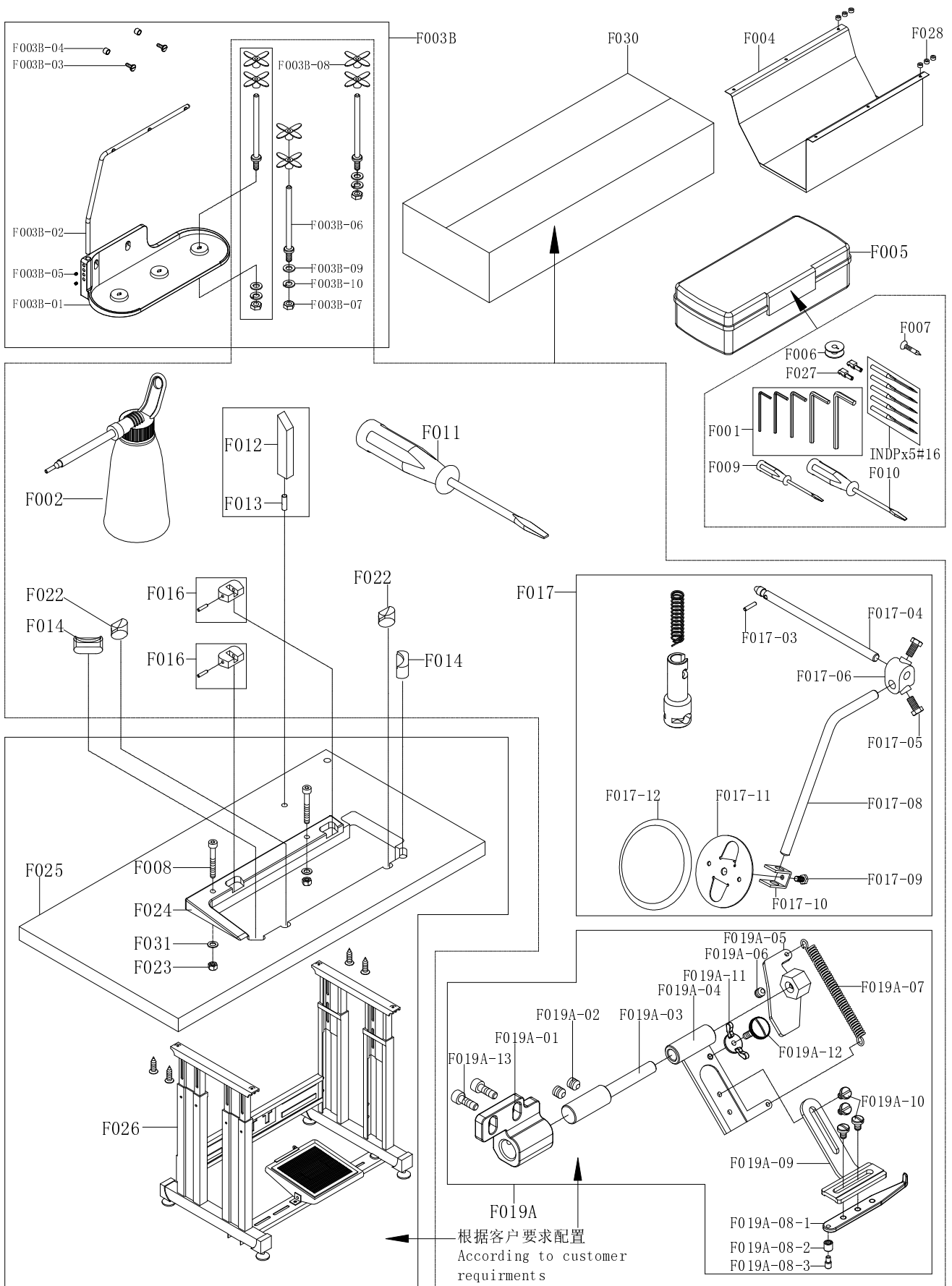


## 11 倒针机构 (JK-6692、JK-6691-X、JK-6681)

## REVERSE STITCHING &amp; THREAD TRIMMING MECHANISM

序号 NO.	件号 Part No.	零部件名称	Name of parts	数量 Amt.	备注
727	155024010	滚针轴承	Needle bearing	2	
732	155023003	油棉垫	Oil cotton pad	2	
911S	C01086	内六角凹端紧定螺钉M5×6	Screw pan M5×6	3	
913S	155012014	C型扣环	C-shaped buckle	2	
915S	155024012	轴承608ZZ	Bearing 608ZZ	2	
916S	155002006	培林轴	Shaft	1	
919S	155225007	锥形齿轮	Bevel gear	1	
928S	155224016	单向培林座 NA/SK	One-way bearing holder NA/SK	2	
929S	155205007	万向连杆A	Universal connecting rod A	1	
930S	C01134	内六角圆柱头螺钉M4×10	Screw pan M4×10	1	
931S	155201024	倒针座	Backstitch seat	1	
931S-1	C01145	内六角圆柱头螺钉M6×20	Screw pan M6×20	2	
931S-2	C01020	平垫圈M6	Flat washer M6	2	
932S	C0177	内六角平端紧定螺钉M4×16	Screw pan M4×16	1	
933S	C01074	六角螺母M4	Nut M4	1	
934S	C01137	内六角圆柱头螺钉M5×10	Screw pan M5×10	1	
935S	155226011	滑动销	Sliding pin	1	
936S	C01139	内六角圆柱头螺钉M4×8	Screw pan M4×8	2	
937S	155212039	滑块限位座	Limited seat of slider	1	
938S	155226012	调节销	Adjustig pin	1	
939S	155227017	压簧	Compression spring	2	
940S	1550S20001	开槽无头轴位螺钉	Screw	1	
941S	C01022	平垫圈M4	Flat washer M4	2	
942S	C01139	内六角圆柱头螺钉M4×8	Screw pan M4×8	2	
943S	155209017	倒针滑块	Slider of backstitch	1	
943S-1	155211007	滑套	Sliding sleeve	1	
944S	155209006	顶杆挡块	Baffle plate of ejection pin	1	
945S	C01142	内六角圆柱头螺钉M3×8	Screw pan M3×8	2	
946S	155220001	螺钉	Screw	1	
947S	155212040	顶杆	Ejection pin	1	
948S	15523000300	下送金倒针电磁阀	Solenoid valve for backstitch	1	
950C	155212037	下倒针电磁阀座	Solenoid valve seatofbackstitch	1	
951S	C01137	内六角圆柱头螺钉M5×10	Screw pan M5×10	3	
952S	155211011	油镜	Oil mirror	1	
953S	C0208	O型圈32×1	O-ring 32×1	1	
954S	155221003	油管	Tubing	1	
955S	155217002	开槽沉头螺钉M4×16	Screw pan M4×16	1	
956S	155212033	线卡	Ply-yard drill	1	
957S	155211010	油管护架	Tubing guard	1	
958S	C01023	平垫圈	Flat washer	1	
959S	C01147	内六角圆柱头螺钉M4×12	Screw pan M4×12	1	
960S	155236001	油管接头	The tubing connector	1	
961S	155221001	油管	Tubing	1	
×W76	155227016	锥形弹簧	Conical spring	1	

# 12 随机附件 ACCESSORIES



## 12 随机附件

## ACCESSORIES

序号 NO.	件号 Part No.	零部件名称	Name of parts	数量 Amt.	备注
F001	155031001	内六角扳手(2mm)	Allen key (2mm)	1	
	155031002	内六角扳手(2.5mm)	Allen key (2.5mm)	1	
	155031003	内六角扳手(3mm)	Allen key (3mm)	1	
	155031004	内六角扳(4mm)	Allen key (4mm)	1	
	155031005	内六角扳手(5mm)	Allen key (5mm)	1	
F002	155231002	横嘴油壶	Horizontal mouth oil pot	1	
F003B-01	155231003	线架盘	Thread stand rack	1	
F003B-02	155231004	线架	Thread stand	1	
F003B-03	155231005	线架螺钉	Screw of thread stand	2	
F003B-04	155231006	尼龙挡圈	Nylon retaining ring	2	
F003B-05	C01212	内六角凹端紧定螺钉M6×6	Screw pan M6×6	2	
F003B-06	155231007	支撑杆	Stand rod	2	
F003B-07	C01074	六角螺母M5	Nut M5	2	
F003B-08	155231008	支撑芯	Support core	4	
F003B-09		平垫圈M5	Washers M5	2	
F003B-10	C01034	弹簧垫圈M5	Spring washer M5	2	
F004	155231009	油盘	Oil pan	1	
F005	155231010	工具箱	Tool box	1	
F006	155231011	梭仔子	Shuttle	3	
F007	C0192	圆钢钉8分	Round steel nail	0.05KG	
F009	155031006	螺丝起子(小)	Screwdriver (small)	1	
F010	155031007	螺丝起子(中)	Screwdriver (middle)	1	
F011	155031008	螺丝起子(大)	Screwdriver (big)	1	
F012	15503100900	枕木(组件)	Sleeper (component)	1	
F014	155031011	橡胶垫	Rubber mat	2	
F016	155231012	后纽扣橡胶垫	Rubber mat of rear button	2	
F017	155231013	脚弓组	Ankle arch group	1	
F019A	155231014	靠边组件	Edge assembly	1	
F022	155231015	橡胶垫	Rubber mat	2	
F027	155031013	后纽扣	Rear button	2	
F030	155231001	附件纸箱	Accessory carton	1	
	155231018	附件装箱盒	Accessory box	1	
	D03005	标牌铆钉/不锈钢	Sign rivet / stainless steel	6	
	155231024	机头罩	Nose covering	1	
	155231029	木螺丝	Wood screw	4	
	E98054	车针 INDPX5#16	Needle INDPX5#16	5	
	155231023	号码牌	Identification tag	1	
	155231020	合格证	Certificate	1	
	155231021	罗拉车纸箱	Roller carton	1	
	155231022	机身泡沫组件	Foam for machine	1	
	E04034	PE袋	PE bag	1	
	155231029	木螺丝5×25	Wood screw 5×25	4	
	155231030	说明书	Instructions	1	



