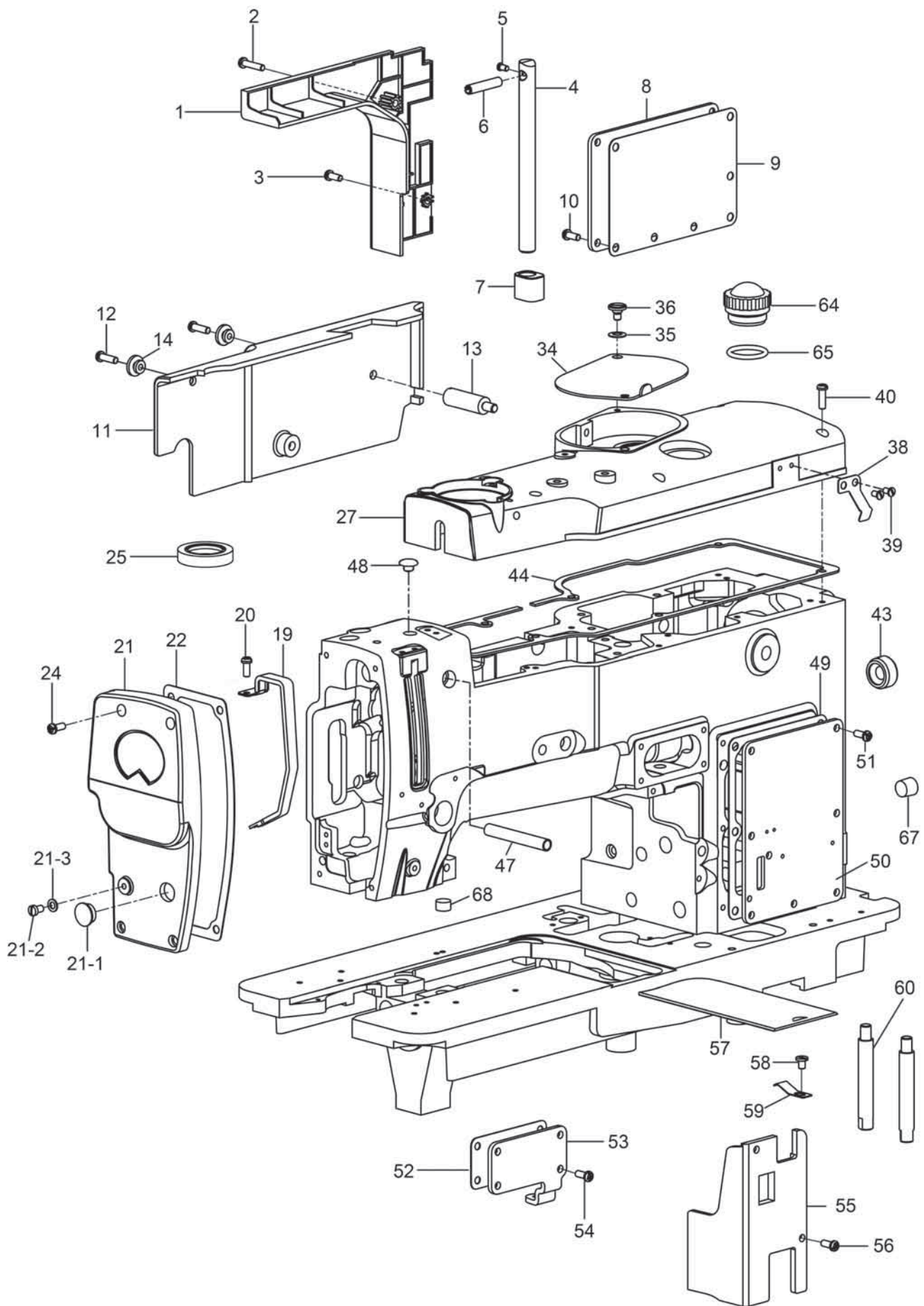
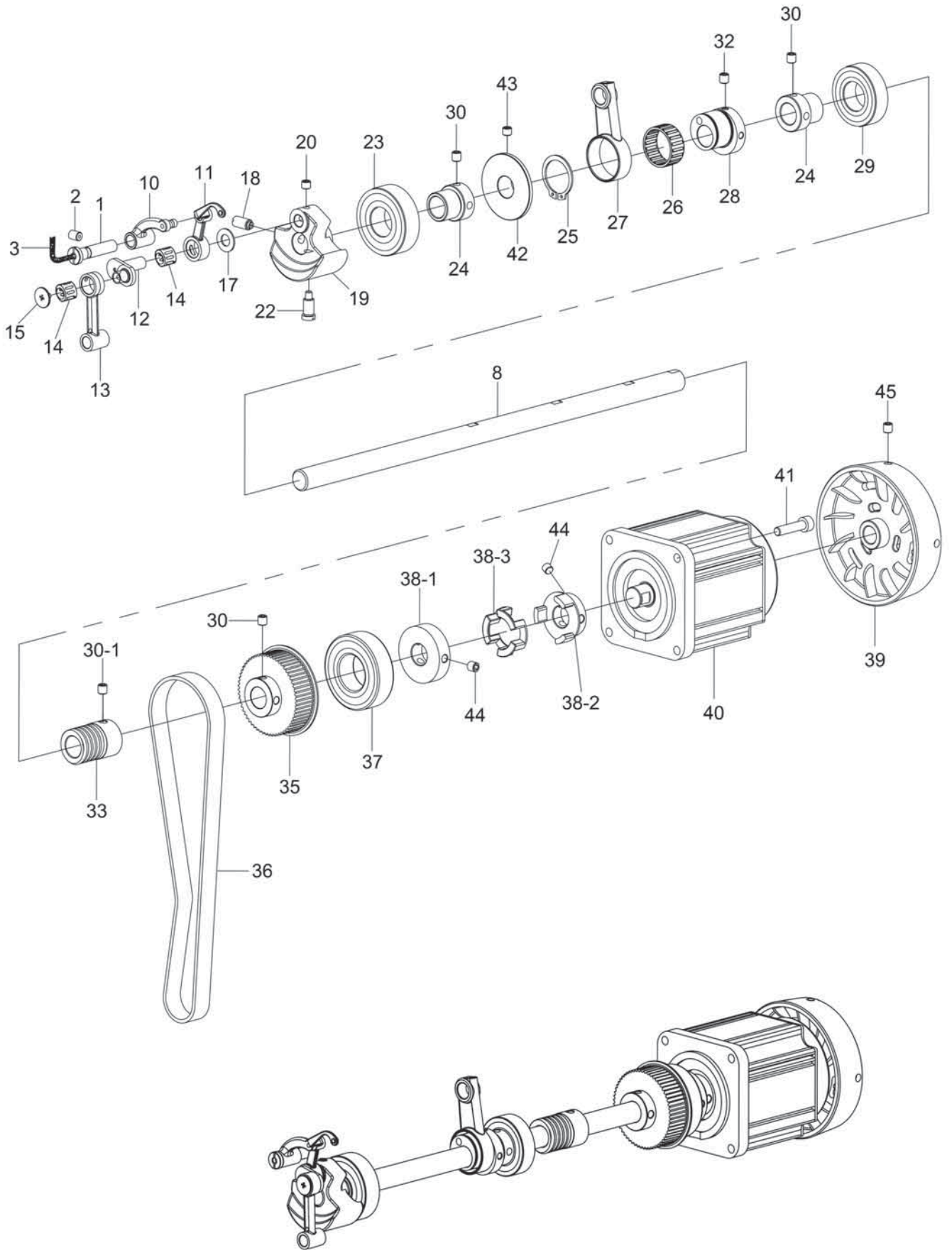


1.头部外装置关系/FRAME & MISCELLANEOUS COVER COMPONENTS



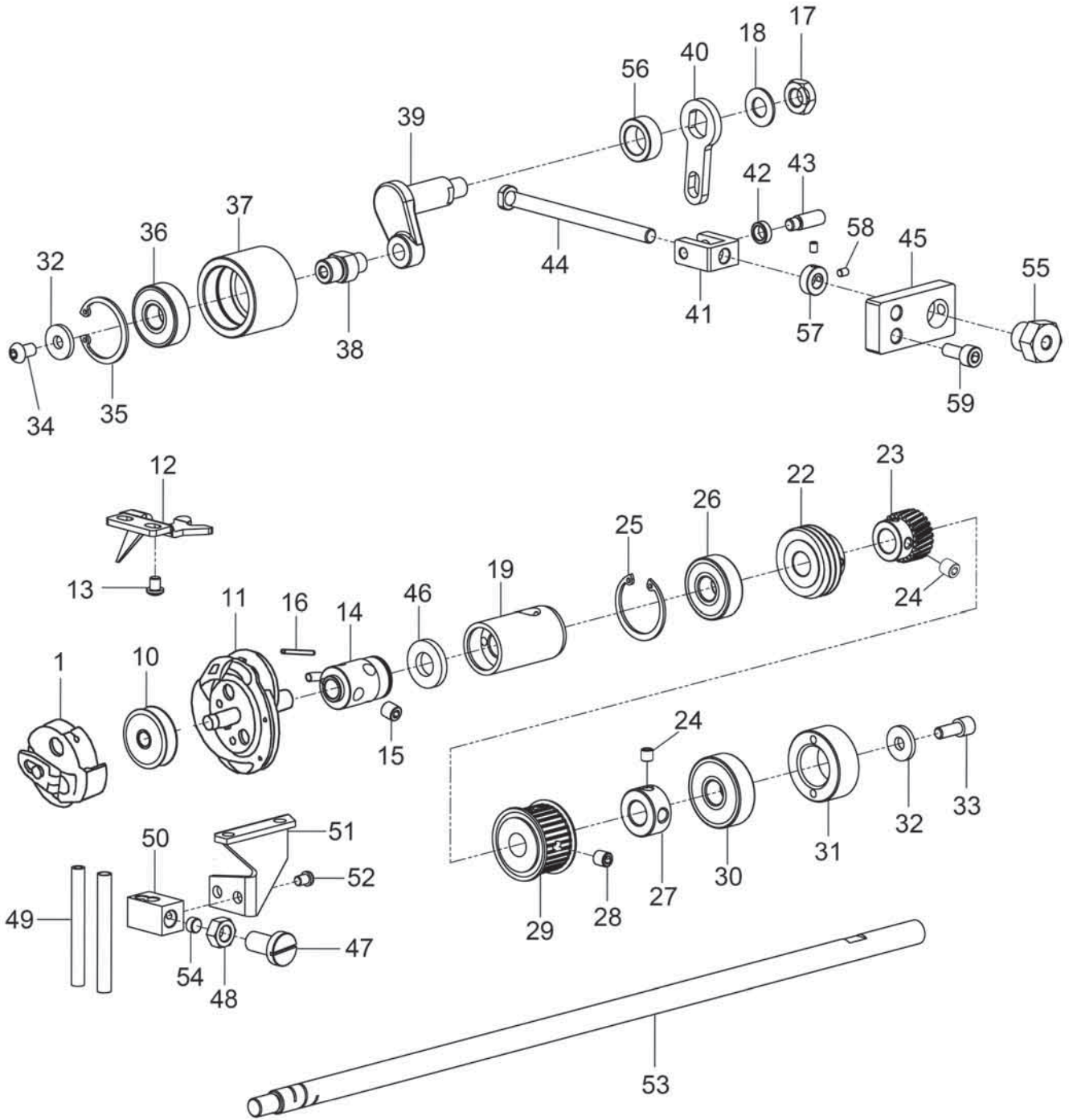
序号 NO.	注解 Note	件号 Part NO.	名称	Description	数量 Qty
1		40211001	机头侧盖	FRAME SIDE COVER	1
2		402S11001	螺钉	SCREW	1
3		402S11003	螺钉	SCREW	1
4		40202001	机头支撑臂	MACHINE ARM SUPPORT ROD	1
5		402S11002	螺钉	SCREW	1
6		40226001	弹性圆柱销	PIN	1
7		40222001	橡胶缓冲垫	RUBBER CUSHION	1
8		40212001	侧盖板	SIDE COVER	1
9		40222002	侧盖板衬垫	SIDE COVER GASKET	1
10		402S11003	螺钉	SCREW	7
11		40201001	机壳侧盖	FRAME SIDE COVER	1
12		402S11031	螺钉	SCREW	2
13		402S30001	螺钉	SCREW	1
14		40222003	缓冲垫	CUSHION	2
15		-----			0
16		-----			0
17		-----			0
18		-----			0
19		40212002	挑线杆防护罩	THREAD TAKE-UP LEVER OIL. GUARD	1
20		402S11004	螺钉	SCREW	2
21		40201064	面板	FACE COVER COMPLETE	1
21-1		40222005	面板塞	FACE COVER COMPLETE PLUG	1
21-2		402S11036	螺钉	SCREW	1
21-3		40228008	垫片	SPACER	1
22		40222038	面板衬垫	GASKET	1
23		-----			0
24		402S11003	螺钉	SCREW	4
25		40222007	油封	OIL SEAL	2
27		40201061	顶盖	TOP COVER	2
29		-----			0
30		-----			0
33		-----			0
34		40212003	齿轮箱盖	GEAR CASE COVER	1
35		40228001	碟形垫片	DISC SPRING	1
36		402S20001	轴位螺钉	HINGE SCREW	1
38		40212004	手制动钩	HAND STOP LATCH	1
39		402S11014	螺钉	SCREW	2
40		402S11001	螺钉	SCREW	6
41		-----			0
42		-----			0
43		40222009	橡胶插塞	RUBBER PLUG	1
44		40222037	上顶盖衬垫	TOP COVER GASKET REAR	1
45		-----			0
46		-----			0
47		40203001	停刀杆轴导向管	KNIFE STOP LEVER SHAFT GUIDE	1
48		40222011	橡胶插塞	RUBBER RLUG	3
49		40222012	右侧盖板衬垫	SIDE COVER GASKET	1
50		40212098	左侧盖板	SIDE COVER	1
51		402S11003	螺钉	SCREW	7
52		40222013	油视窗衬垫	GASKET	1
53		40212006	侧盖	SIDE COVER	1
54		402S11003	螺钉	SCREW	4
55		40211002	侧盖板	SIDE COVER	1
56		402S11003	螺钉	SCREW	2
57		40212007	推板	BED SLIDE	1
58		403S11001	螺钉	SCREW	1
59		40227041	推板簧	BED SLIDE SPRING	1
60		402S30003	底板支撑螺钉	BED SCREW STUD	2
61		-----			0
62		-----			0
63		-----			0
64		40211003	油视窗	OIL SIGHT WINDOW	1
65		40222014	油视窗垫片	OIL SIGHT WINDOW GASKET	1
67		40222016	盲孔塞	RUBBER PLUG	5
68		40223001	油毡	OIL FELT	2

2.上轴关系/MAIN SHAFT COMPONENTS



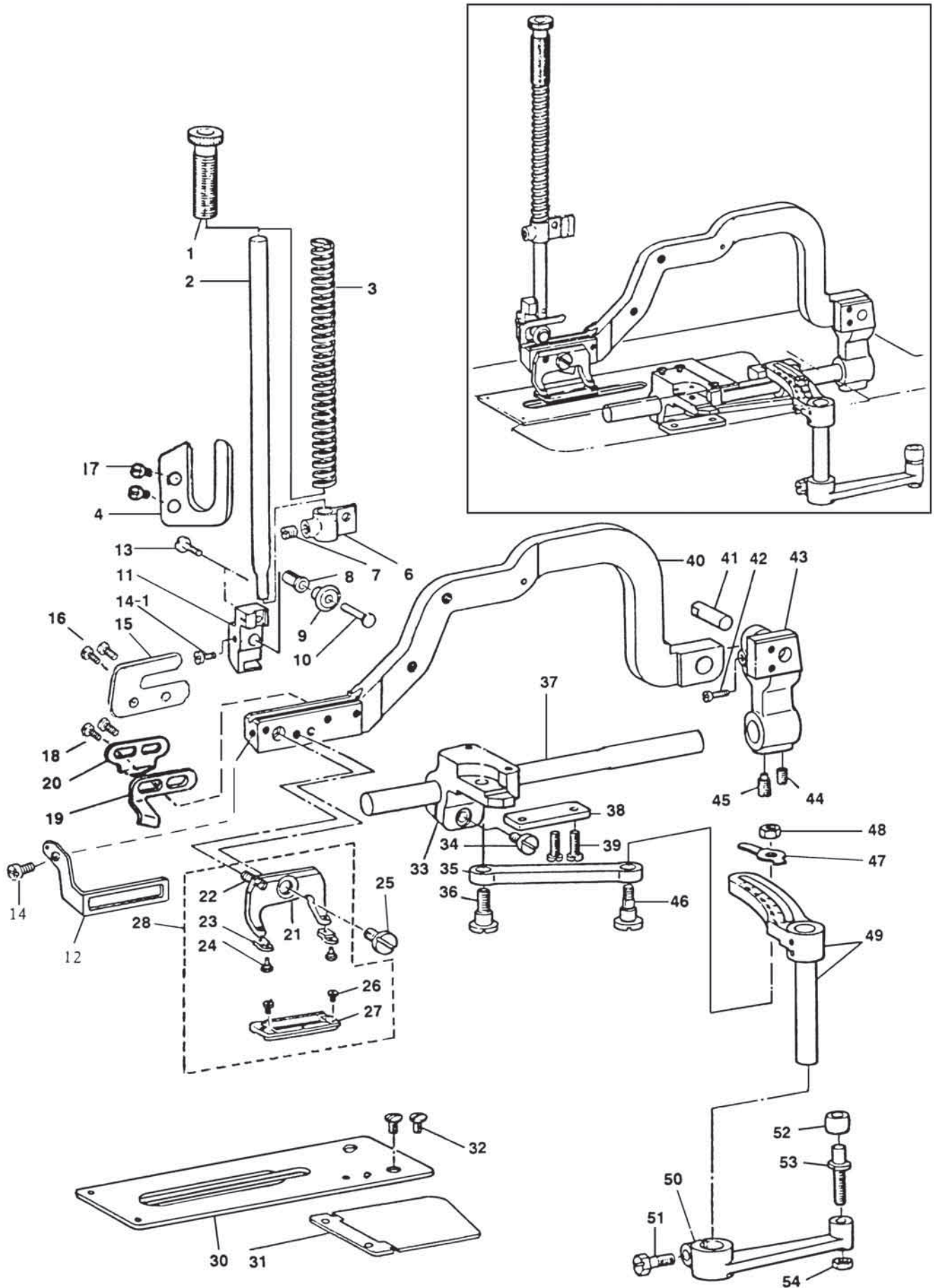
序号 NO.	注解 Note	件号 Part NO.	名称	Description	数量 Qty
1		40226002	铰链销	HINGE STUD	1
2		402S14001	螺钉	SCREW	1
3		12923018	油线	OIL WICK	1
4		-----			0
5		-----			0
6		-----			0
7		-----			0
8		40202054	上轴	MAIN SHAFT	1
10		-----	挑线连杆	THREAD TAKE UP CRANK	
11		4053800200	挑线杆组件	LINK TAKE UP	
12		40204001	针杆曲柄	NEEDLE BAR CRANK	1
13		40205001	针杆曲柄连杆	NEEDLE BAR CRANK CONNECTING ROD	1
14		-----	滚针轴承	NEEDLE BEARING	2
15		402S30004	左旋螺钉	END SCREW LEFT	1
16		-----			0
17		40228002	止推垫圈	THRUST WASHER	1
18		402S30005	螺钉	SCREW	1
19		40204002	平衡块	COUNTER WEIGHT	1
20		402S14002	螺钉	SCREW	2
21		-----			0
22		101S11003	螺钉	SCREW	1
23		B04009	轴承	BALL BEARING	1
24		40203003	轴套	BALL BEARING	2
25		H03012	挡圈25	THRUST COLLAR	1
26		B07016	滚动轴承	ROLLER BEARING	1
27		40205002	刀杆驱动连杆	KNIFE BAR DRIVING CONNECTING ROD	1
28		40210001	刀杆传动偏心凸轮	KNIFE BAR DRIVING ECCENTRIC CAM	1
29		B02004	轴承	BALL BEARING	1
30		402S14006	螺钉	SCREW	6
30-1		409S14001	螺钉	SCREW	2
31		-----			0
32		402S14003	螺钉	SCREW	2
33		40225001	蜗杆	WORM	1
34		-----			0
35		4023503000	同步带轮组件	SHAFT SPROCKET	1
36		40235003	同步带	TIMING BELT	1
37		40224006	轴承	BEARING	1
38		-----	联轴器		1
38-1		40201063	联轴器传动块1	COUPLING 1	1
38-2		40101018	联轴器传动块2	COUPLING 2	1
38-3		40122023	减震橡胶	DAMPING RUBBER	1
39		40235027	手轮	HAND WHEEL	1
40		40230001	主轴电机	SERVO MOTOR	1
41		402S13012	电机安装螺钉	SCREW	4
42		40235028	绕线轮	BOBBIN WINDER DRIVING WHEEL	1
43		403S14012	绕线轮螺钉	SCREW	2
44		413S14001	螺钉	SCREW	6
45		207S14006	螺钉	SCREW	2

3. 下轴关系/HOOK DRIVING SHAFT COMPONENTS



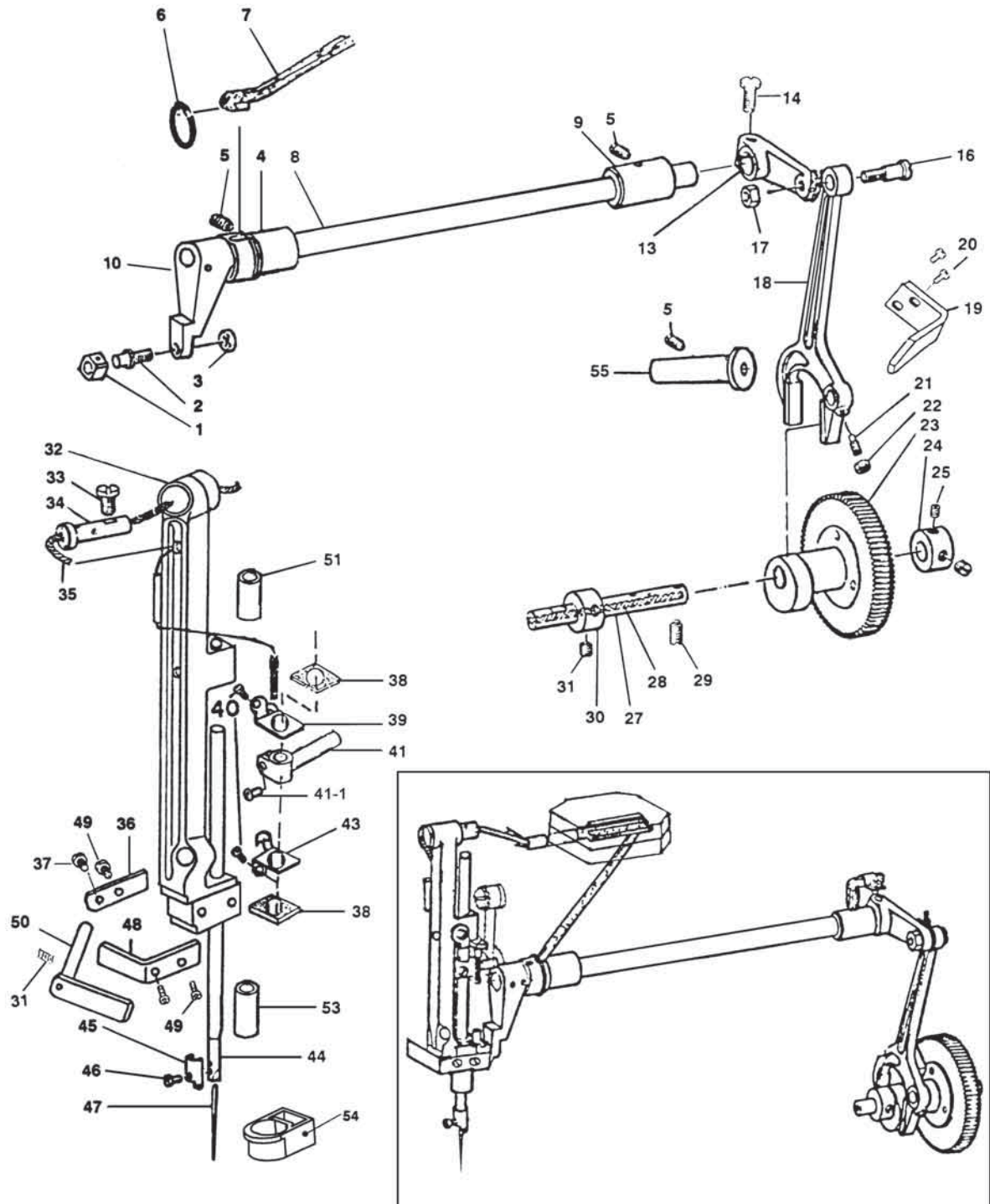
序号 NO.	注解 Note	件号 Part NO.	名称	Description	数量 Qty
1		4021800100	梭壳组件	BOBBIN CASE ASM.	1
10		4021800200	梭子	BOBBIN	1
11		4021800500	旋梭套组件	HOOK C ASM.	1
12		40212010	梭壳定位板	BOBBIN CASE POSITIONING PLATE	1
13		402S11006	螺钉	SCREW	2
14		4020300700	旋梭筒组件	OIL SLEEVE ASM.	1
15		413S14011	螺钉	SCREW	4
16		40123016	油线	OIL WICK	1
17		N01008	螺母	NUT	1
18		40228002	垫圈	THRUST WASHER	1
19		40203009	下轴前套	BUSHING ASM	1
20		12923018	油线	OIL WICK	2
21		-----			0
22		40225002	蜗杆	WORM LEVER	1
23		40225003	小齿轮	PINION	1
24		201S14002	螺钉	SCREW	6
25		H01009	挡圈	THRUST COLLAR	1
26		B04012	轴承	BALL BEARING	1
27		20108001	挡圈	THRUST COLLAR	1
28		402S14006	螺钉	SCREW	2
29		4023500700	小皮带链轮组件	BELT SPROCKET	1
30		40224004	轴承	BALL BEARING	1
31		40208001	轴承固定挡圈	COLLAR	1
32		20628006	垫圈	WASHER	1
33		402S13001	内六角平头螺钉	SCREW	1
34		S05038	螺钉	SCREW	1
35		H01009	挡圈	THRUST COLLAR	1
36		B04012	轴承	BALL BEARING	1
37		40235008	皮带张紧轮	TENSION PULLEY	1
38		40226005	调节杠杆针	ADJUSTING LEVER PIN	1
39		40205023	张紧轮连杆	TENSION PULLEY LINK	1
40		40212102	调节配件	ADJUSTING GUIDE	1
41		40204037	连接接头	CONNECTOR	1
42		40228031	垫片	SPACER	1
43		40226051	连接销	CONNECTION PIN	1
44		40205024	调节连杆	ADJUSTING LINK	1
45		40212103	固定板	FIXED PLATE	2
46		40223005	油毡	OIL FELT	2
47		402S30009	旋梭调节润滑螺钉	HOOK OIL ADJUSTING SCREW	1
48		402S16002	螺母	NUT	1
49		40221005	油管	OIL TUBE	0
50		400122	调节润滑螺钉座	OIL ADJUSTING SCREW BASE	1
51		40221004	调节润滑螺钉座架	OIL ADJUSTING SCREW BRACKET	1
52		402S11004	十字槽盘头螺钉	SCREW	2
53		40202039	下轴	HOOK DRIVING SHAFT	1
54		40226006	调节销	ADJUSTING PIN	1
55		402S16026	调节螺母	NUT	1
56		40208014	挡圈	THRUST COLLAR	1
57		41303002	挡圈	THRUST COLLAR	1
58		413S14004	螺钉	SCREW	2
59		S05004	固定板安装螺钉	SCREW	2

4.压脚棒、送布板关系/PRESSER BAR. WORK CLAMP CARRIER COMPONENTS



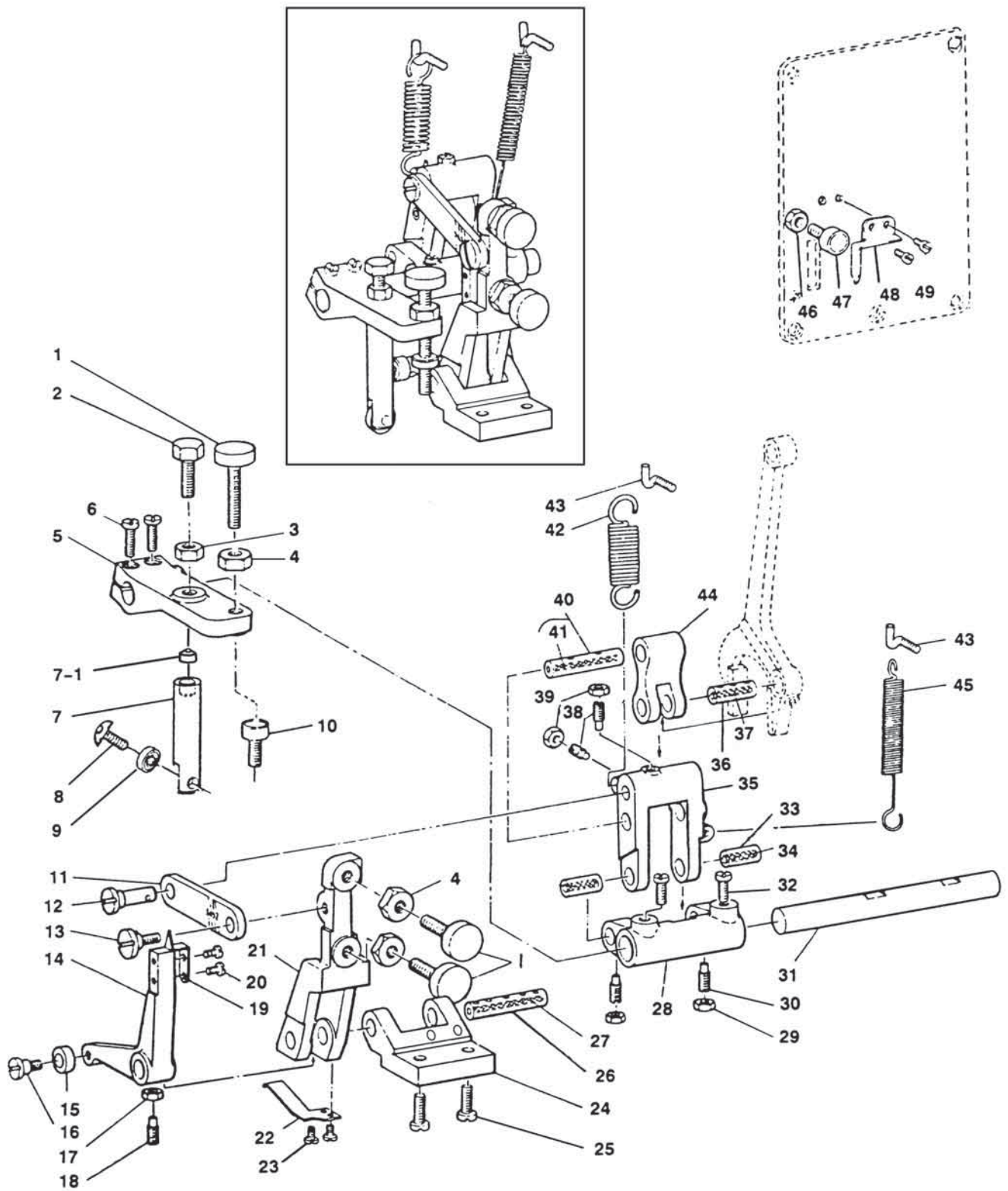
序号 NO.	注解 Note	件号 Part NO.	名称	Description	数量 Qty
1		402S30010	压簧调节手柄	PRESSER SPRING REGULATOR	1
2		40202004	压棒	PRESSER BAR	1
3		40227002	压簧	PRESSER SPRING	1
4		40212013	导向支架	GUIDE BRACKET	1
5		-----			0
6		40209003	压棒定位架	PRESSER BAR POSITION BRACKET	1
7		409S14001	内六角平端紧定螺钉	SCREW	1
8		40203010	套管	COLLAR	1
9		40209004	滑动滚轮	SLIDE ROLLER	1
10		40226007	滑动滚轮销	CONNECTING PIN	1
11		40209005	支架	BRACKET	1
12		40212014	安全防护	SAFE DEFEND GUIDE	1
13		402S30011	压棒螺钉	SCREW	1
14		402S11030	螺钉	SCREW	1
14-1		402S11036	螺钉	SCREW	1
15		40212015	导向支架	GUIDE BRACKET	1
16		206S11002	螺钉	SCREW	2
17		206S11002	螺钉	SCREW	2
18		101S11020	螺钉	SCREW	2
19		40212016	面线剪断器导架	NEEDLETHREAD TRIMMER GUIDE	1
20		40212017	面线剪断器导架	NEEDLETHREAD TRIMMER GUIDE	1
21		40216001	压脚板座	WORK CLAMP CHECK HOLDER	1
22		40227003	压脚板座弹簧销	WORK CLAMP CHECK HOLDER SPRING	1
23		40212018	压脚弹簧板	WORK CLAMP CHECK SPRING	2
24		40226008	压脚弹簧定位销	WORK CLAMP CHECK SPRING SET PIN	2
25		402S20002	轴位螺钉	HINGE SCREW	1
26		101S11019	螺钉	SCREW	1
27		40216002	压脚板	WORK CLAMP CHECK	1
28		4021600300	压脚板座组件	WORK CLAMP CHECK HOLDER ASM.	1
29		-----			0
30		40212019	送布拖板	STITCH PLATE	1
31		4021202000	支架盖板组件	BRACKET COVER	1
32		402S11007	螺钉	SCREW	2
33		40201004	送料支架	WORK CLAMP ARM BRACKET ASM	1
34		401S12001	螺钉	SCREW	1
35		40205004	压脚臂支架	WORK CLAMP CARRIER BRACKET PITMAN	1
36		402S20003	轴位螺钉	HINGE SCREW	1
37		40202005	压脚臂滑杆	WORK CLAMP ARM SLIDE ROD	1
38		40212023	送布拖板支架导块	WORK CLAMP CARRIER BRACKET GUIDE	1
39		402S11028	螺钉	SCREW	2
40		40201033	布料夹支架	WORK CLAMP BRACKET	1
41		40226010	连接销	CONNECTION PIN	1
42		402S11009	螺钉	SCREW	1
43		40204031	拖架	BEARING ARM	1
44		402S14006	螺钉	SCREW	1
45		402S30016	螺钉	SCREW	1
46		402S30013	螺钉	SCREW	1
47		40212024	调节送料长度轴导板	LENGTH REGULATING SHAFT GUIDE	1
48		402S16003	螺母	NUT	1
49		4020400400	调节送料长度刻度盘组件	LENGTH REGULATING SCALE ASM.	1
50		40205005	送料臂	BELL CRANK	1
51		S05040	螺钉M6×16	SCREW	1
52		40209006	滚子	ROLLER	1
53		40226012	曲柄滚子销	BELL CRANK ROLLER STUD	1
54		402S16003	螺母	NUT	1

5. 针棒摇动台关系/NEEDLE BAR FRAME COMPONENTS



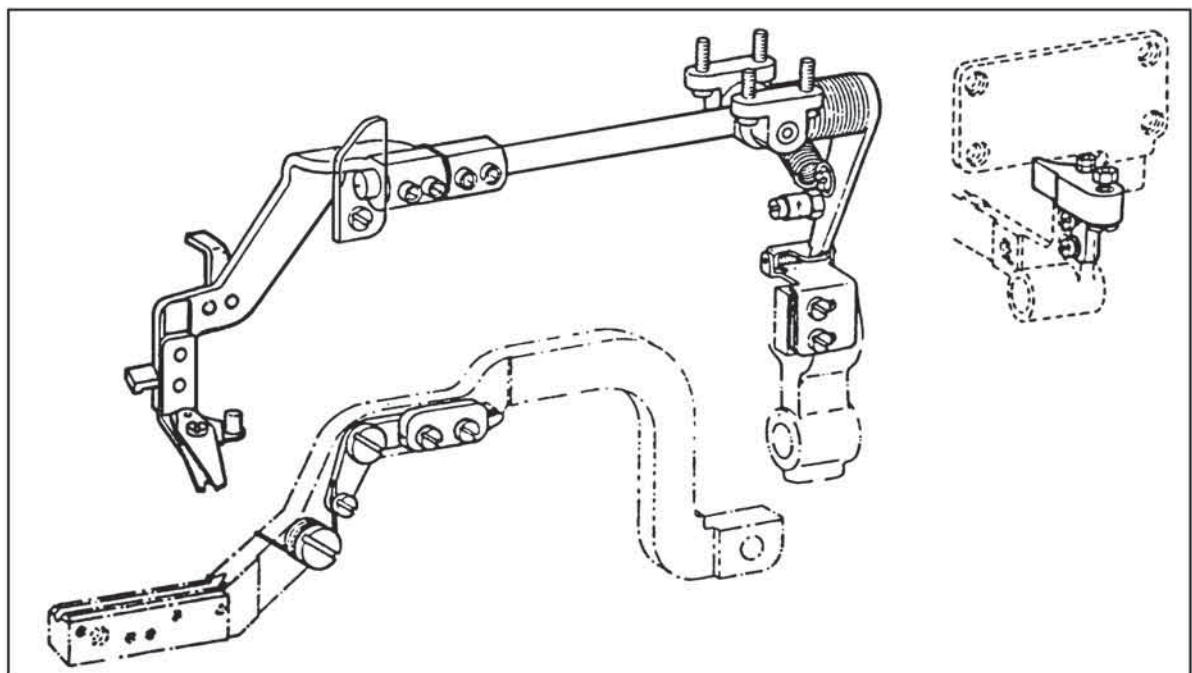
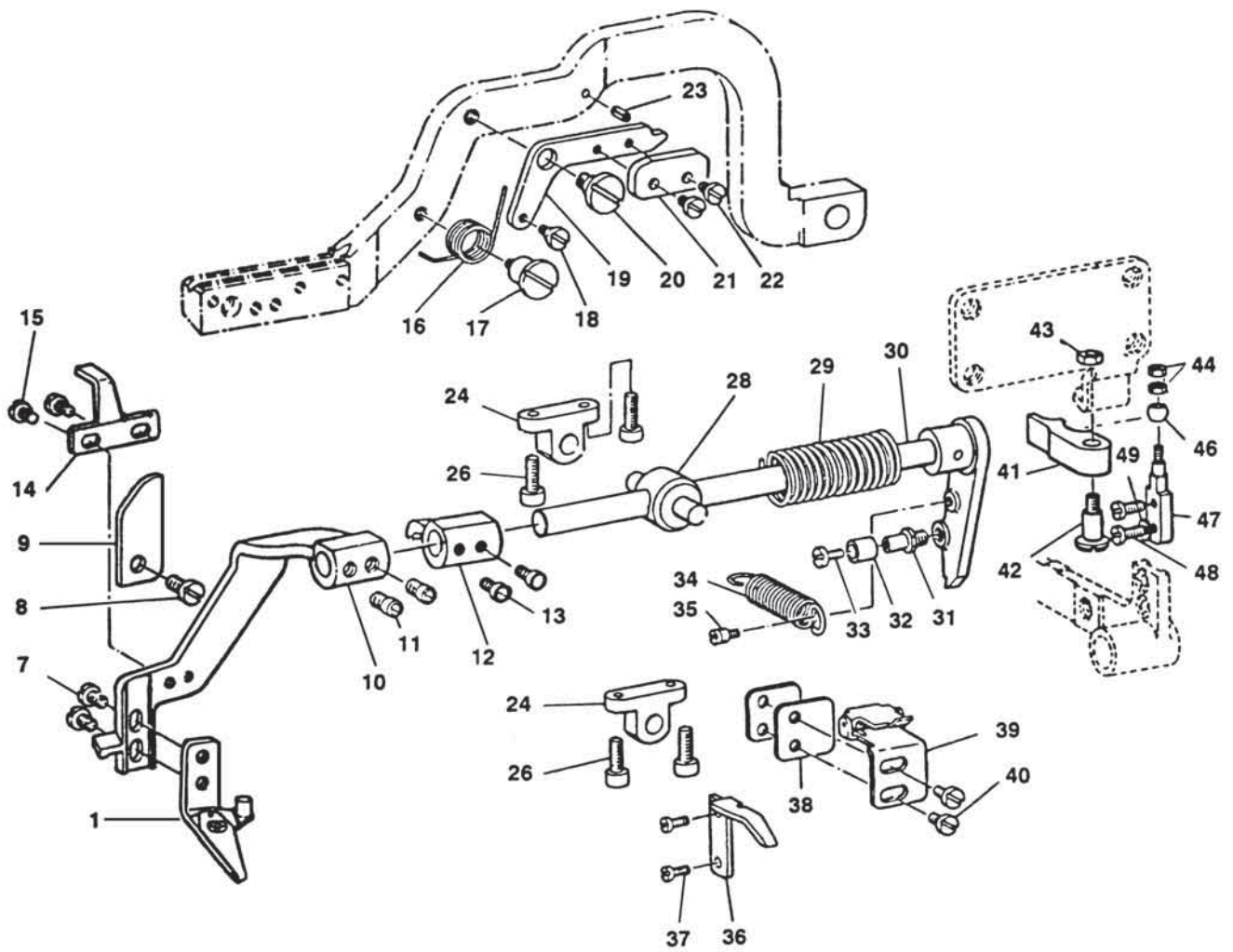
序号 NO.	注解 Note	件号 Part NO.	名称	Description	数量 Qty
1		400123	针杆架滑块	NEEDLE BAR CONNECTION SLIDE BLOCK	1
2		402S30014	滑块销螺钉	STUD	1
3		402S16003	螺母	NUT	1
4		40203011	摇杆后轴套	FRAME ROCK SHAFT BUSHING FRONT	1
5		402S14001	螺钉	SCREW	6
6		40222019	O形圈	RUBBER	1
7		40223023	油芯	OIL WICK	1
8		4020200700	摆杆轴组件	FRAME ROCK SHAFT	1
9		40204006	摇杆后轴衬	FRAME ROCK SHAFT BUSHING REAR	1
10		40203012	摆杆曲柄	FRAME ROCK SHAFT CRANK	1
13		40204007	摆杆后柄	FRAME ROCK SHAFT CRANK FRONT	1
14		402S13002	螺钉	SCREW	1
15		-----			0
16		402S20004	轴位螺钉	HINGE SCREW	1
17		402S16004	螺母	NUT	1
18		40204008	针杆摇杆	NEEDLE BAR PITMAN	1
19		400132	摆杆连接导板	ROCK SHAFT CONNECTION GUIDE	1
20		S05049	螺钉M4×14	SCREW	2
21		402S30015	螺钉	SCREW	1
22		402S16005	螺母	NUT	1
23		4022500400	针驱齿轮组件	NEEDLE DRIVING GEAR	1
24		40208002	挡圈	THRUST COLLAR	1
25		402S14006	螺钉	SCREW	2
26		-----			0
27		40203013	切刀驱动轴	CAM SHAFT	1
28		12923018	油线	OIL WICK	1
29		402S30016	螺钉	SCREW	1
30		40208003	挡圈	THRUST COLLAR	1
31		402S14006	螺钉	SCREW	1
32		4020100600	针杆架组件	NEEDLE BAR FRAME	1
33		402S14001	螺钉	SCREW	1
34		40226014	铰链销	HINGE STUD	1
35		12923018	油线	OIL WICK	1
36		40212027	左固定片	RETAINER LEFT	1
37		402S11010	螺钉	SCREW	2
38		40223009	油毡	FELT	2
39		40212028	油线高端固定板	OIL FELT RETAINER HIGH	1
40		402S11022	螺钉	SCREW	2
41		40205006	针杆连接杆	NEEDLE BAR CONNECTION	1
41-1		402S11010	螺钉	SCREW	1
42		-----			0
43		40212029	油线底端固定板	OIL FELT RETAINER LOWER	1
44		40202009	针杆	NEEDLE BAR	1
45		40213001	针杆导线架	NEEDLE BAR BOBBIN THREAD GUIDE	1
46		101S11006	螺钉	SCREW	1
47		40217002	机针12#	NEEDLE DP×5	5
48		40212030	右固定片	RETAINER RIGHT	1
49		402S11010	螺钉	SCREW	2
50		400124	固定导片	POSITION BRACKET	1
51		40203014	针杆套筒	NEEDLE BAR BUSHING	1
52		-----			0
53		40203015	针杆套筒	NEEDLE BAR BUSHING	1
54		40211005	油毡架	OIL FELT RETAINER	1
55		40226015	轴心	SHAFT	1
56		40223010	油毡	OIL FELT	1

6. 针摆幅调节关系/OVEREDGING WIDTH ADJUSTING COMPONENTS



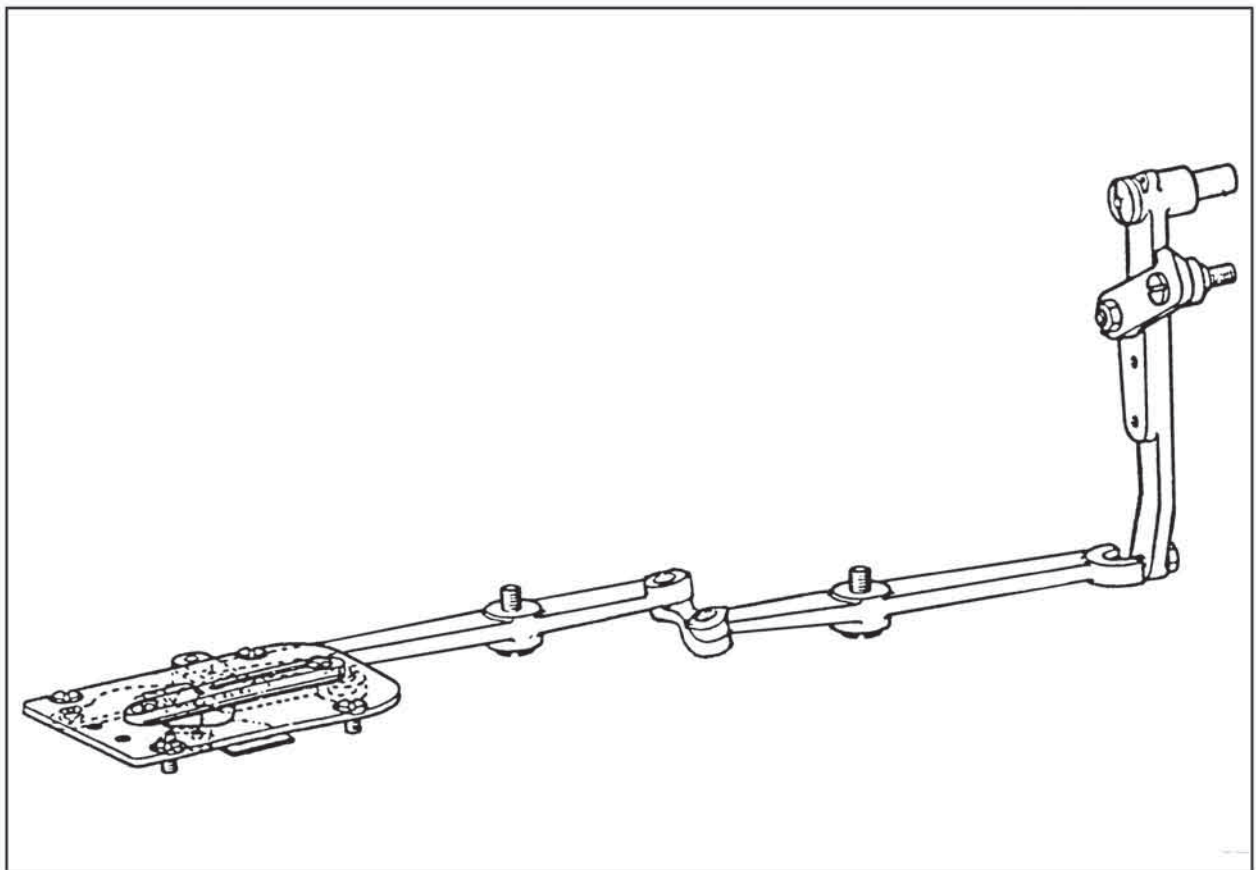
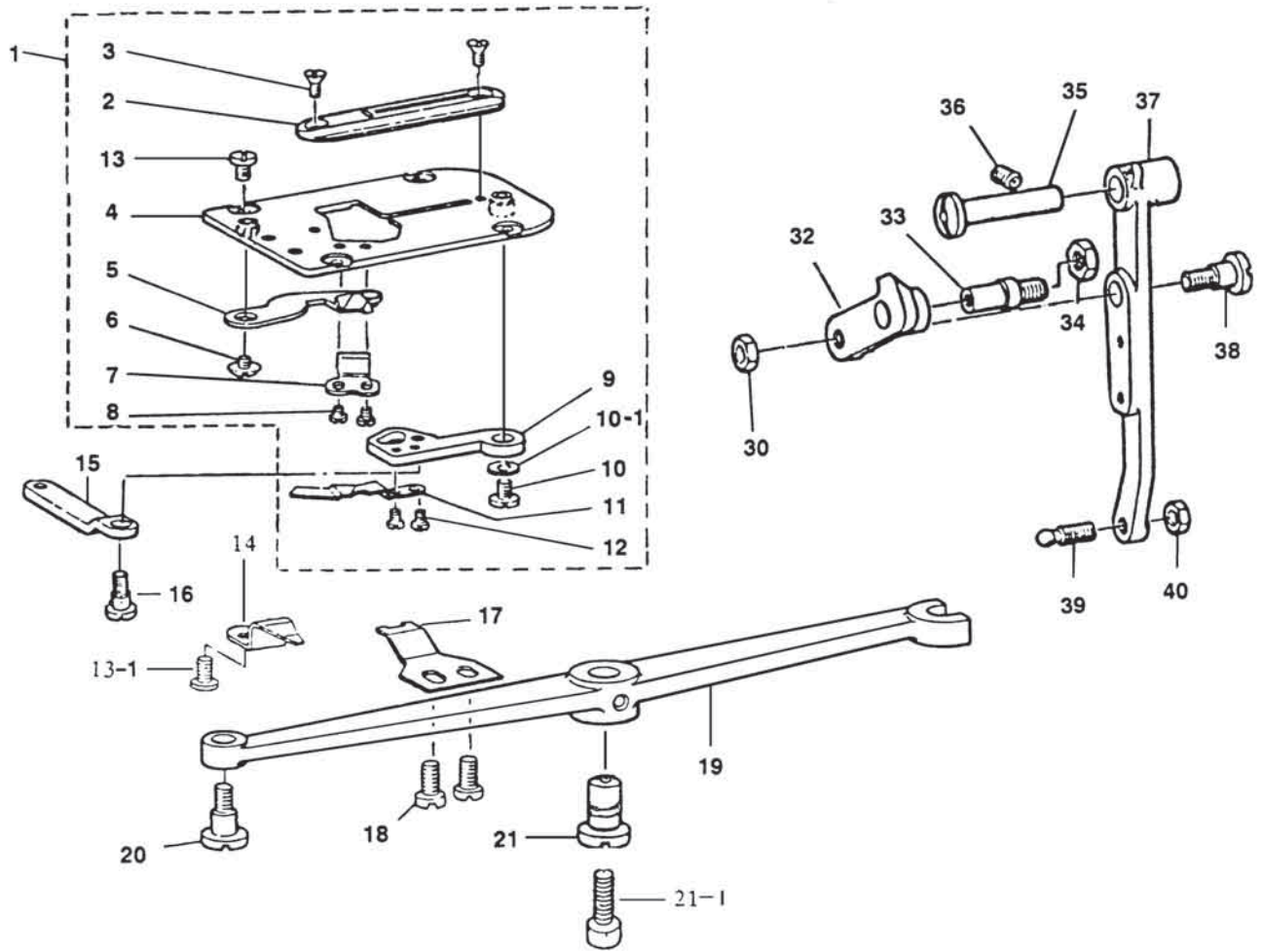
序号 NO.	注解 Note	件号 Part NO.	名称	Description	数量 Qty
1		402S30017	线迹宽度调节螺钉	STITCH WIDTH REGULATING SCREW	3
2		402S11034	螺钉	SCREW	1
3		402S16006	螺母	NUT	1
4		N01008	螺母M8	NUT	3
5		40201008	复位杆	REPOSITIONING LEVER	1
6		101S11021	螺钉	SCREW	2
7		40202010	离合杆	TRIPPING ROD	1
7-1		40211006	止动橡皮	STOP RUBBER	1
8		402S30018	螺钉M5×8	SCREW	1
9		B04013	轴承605Z	BALL BEARING	1
10		402S30019	调节杆螺钉	REGULATING LEVER STOPPER	1
11		40205007	调节杆连接板	REGULATING LEVER COBBECTION	1
12		40226016	调节销	REGULATING HINGE PIN	1
13		402S20005	轴位螺钉	HINGE SCREW	1
14		40204009	指示曲柄	BELL CRANK	1
15		40209008	滚轮	ROLLER	1
16		402S20006	轴位螺钉	HINGE SCREW	1
17		402S16005	螺母	NUT	1
18		402S30015	螺钉	SCREW	1
19		40212031	刻度指示针	BARRED WIDTH INDICATOR	1
20		101S11006	螺钉	SCREW	2
21		40201009	调节叉杆	REGULATING LEVER	1
22		40227004	弹簧板	SPRING	1
23		101S11006	螺钉	SCREW	2
24		40204038	调节叉杆座	REGULATING LEVER BRACKET	1
25		401S13001	螺钉	SCREW	2
26		40202011	调节杆轴	REGULATING LEVER SHAFT	1
27		12923018	油线	OIL WICK	1
28		40204011	轴承座	BEARING BRACKET	1
29		402S16005	螺母	NUT	2
30		402S30015	紧定螺钉	SCREW	2
31		40202012	针摆复位轴	NEEDLE THROW REPOSITIONING SHAFT	1
32		402S11012	螺钉	SCREW	2
33		40226017	连接销	BEARING BRACKET	2
34		12923018	油线	OIL WICK	2
35		40204012	叉形连杆	REPOSITIONING LEVER LINK	1
36		40226018	连接销	CONNECTING FORKED LINK PIN	1
37		12923018	油线	OIL WICK	1
38		402S30015	螺钉	SCREW	2
39		402S16005	螺母	NUT	2
40		40226019	连接销	CONNECTING STUD	1
41		12923018	油线	OIL WICK	1
42		40227005	弹簧	SPRING	1
43		402S30021	悬挂螺钉	SUSPENSION SCREW	2
44		40204013	叉形连杆	CONNECTING FORKED LINK	1
45		40227006	拉簧	SPRING	1
46		402S16003	螺母	NUT	1
47		402S30019	调节限位螺钉	REGULATING LEVER STOPPER	1
48		40212032	缝宽指示针	SEAM WIDTH INDICATOR	1
49		101S11006	螺钉	SCREW	2

7.上线切刀关系/NEEDLE THREAD TRIMMER COMPONENTS



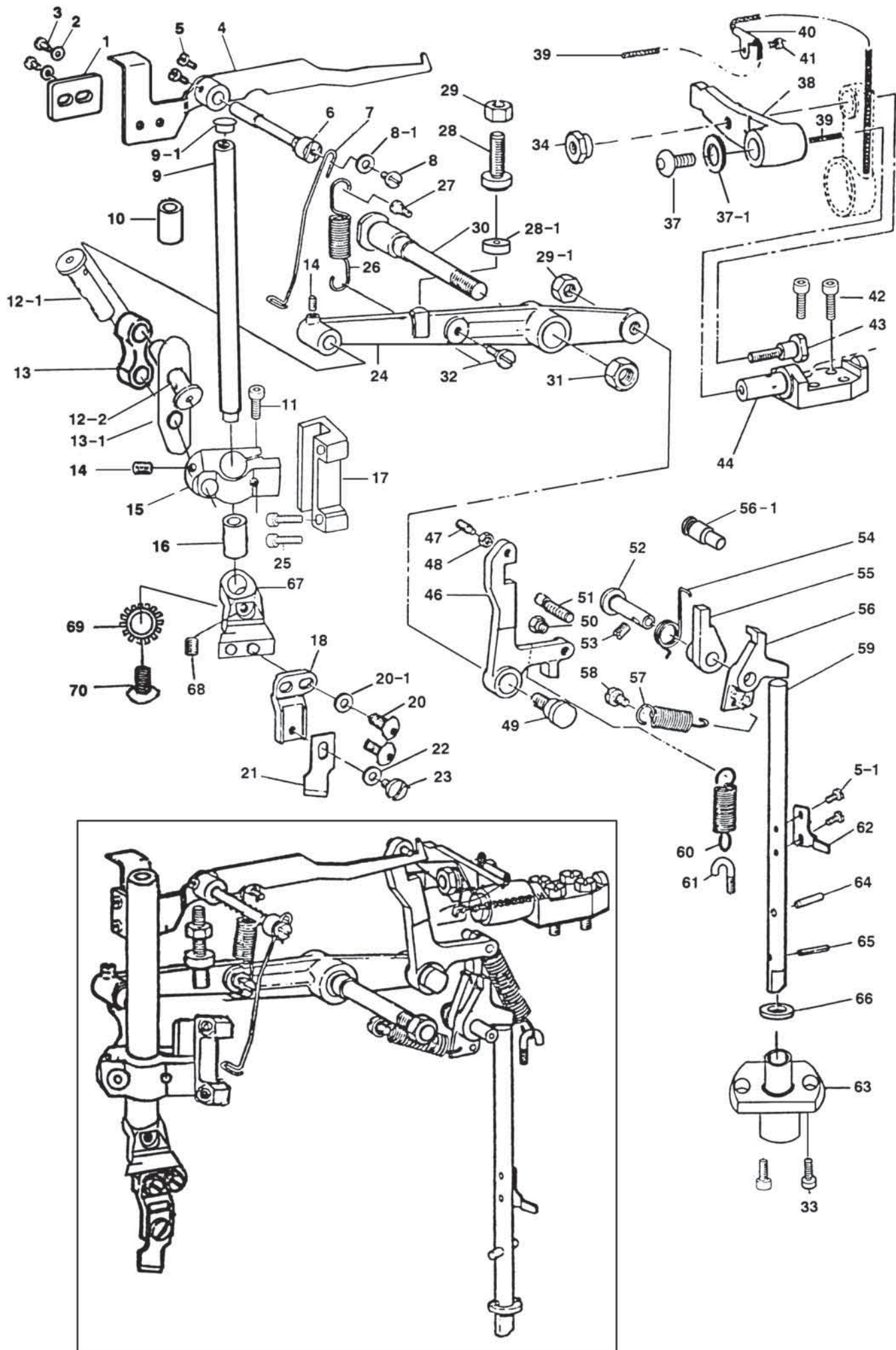
序号 NO.	注解 Note	件号 Part NO.	名称	Description	数量 Qty
1		4021900100	面线剪刀组件	NEEDLE THREAD TRIMMER ASM.	1
7		402S11006	螺钉	SCREW	2
8		402S11013	螺钉	SCREW	1
9		40212033	面线器轴导板	NEEDLE THREAD TRIMMER SHAFT GUIDE	1
10		40212034	保持架组件	THREAD TRIMMER	1
11		409S14001	螺钉	SCREW	2
12		4020301600	微调保持组件	THREAD TRIMMER HOLDER	1
13		409S14001	螺钉	SCREW	2
14		40212036	限位板	LIMITING PLATE	1
15		402S11036	螺钉	SCREW	2
16		40227008	转距弹簧	DRIVING CAM SPRING	1
17		402S20008	传动凸轮转矩弹簧轴	DRIVING CAM SPRING AXLE	1
18		402S20009	轴位螺钉	HINGE SCREW	1
19		40212037	传动凸轮安装板	DRIVING CAM INSTALLING PLATE	1
20		402S20010	轴位螺钉	HINGE SCREW	1
21		40212038	传动凸轮板	DRIVING CAM	1
22		402S11014	螺钉	SCREW	2
23		P03029	销3×10	SPRING PIN	1
24		40201010	支架	BRACKET	2
25		-----			0
26		402S13001	螺钉	SCREW	4
27		-----			0
28		40226022	万向接头	UNIVERSAL JOINT	1
29		40227009	弹簧	SPRING	1
30		4020201300	面线切刀轴组件	NEEDLE THREAD TRIMMER SHAFT	1
31		40226023	滚轮销	STUD	1
32		40209029	滚子	CAM ROLL	1
33		402S11015	螺钉	SCREW	1
34		40227010	切刀弹簧	SPRING	1
35		402S30022	悬挂螺钉	NEEDLE THREAD TRIMMER SHAFT	1
36		40212039	压脚臂锁	LATCH PRESSER ARM	1
37		402S11014	螺钉	SCREW	2
38		40212040	垫片	SPACER	2
39		4021204100	锁架组件	LOCKING BRACKET LATCH	1
40		402S11006	螺钉	SCREW	2
41		40209010	剪线轴顶块	THREAD TRIMMING SHAFT SEGMENT	1
42		402S20011	轴位螺钉	HINGE SCREW	1
43		402S16005	螺母	NUT	1
44		402S16007	螺母	NUT	2
45		-----			
46		40209011	滚柱	ROLLER	1
47		40204015	嵌件	STUD	1
48		409S11008	螺钉	SCREW	2
49		40228008	垫片	WASHER	1

8. 下线切刀关系/BOBBIN THREAD TRIMMER COMPONENTS



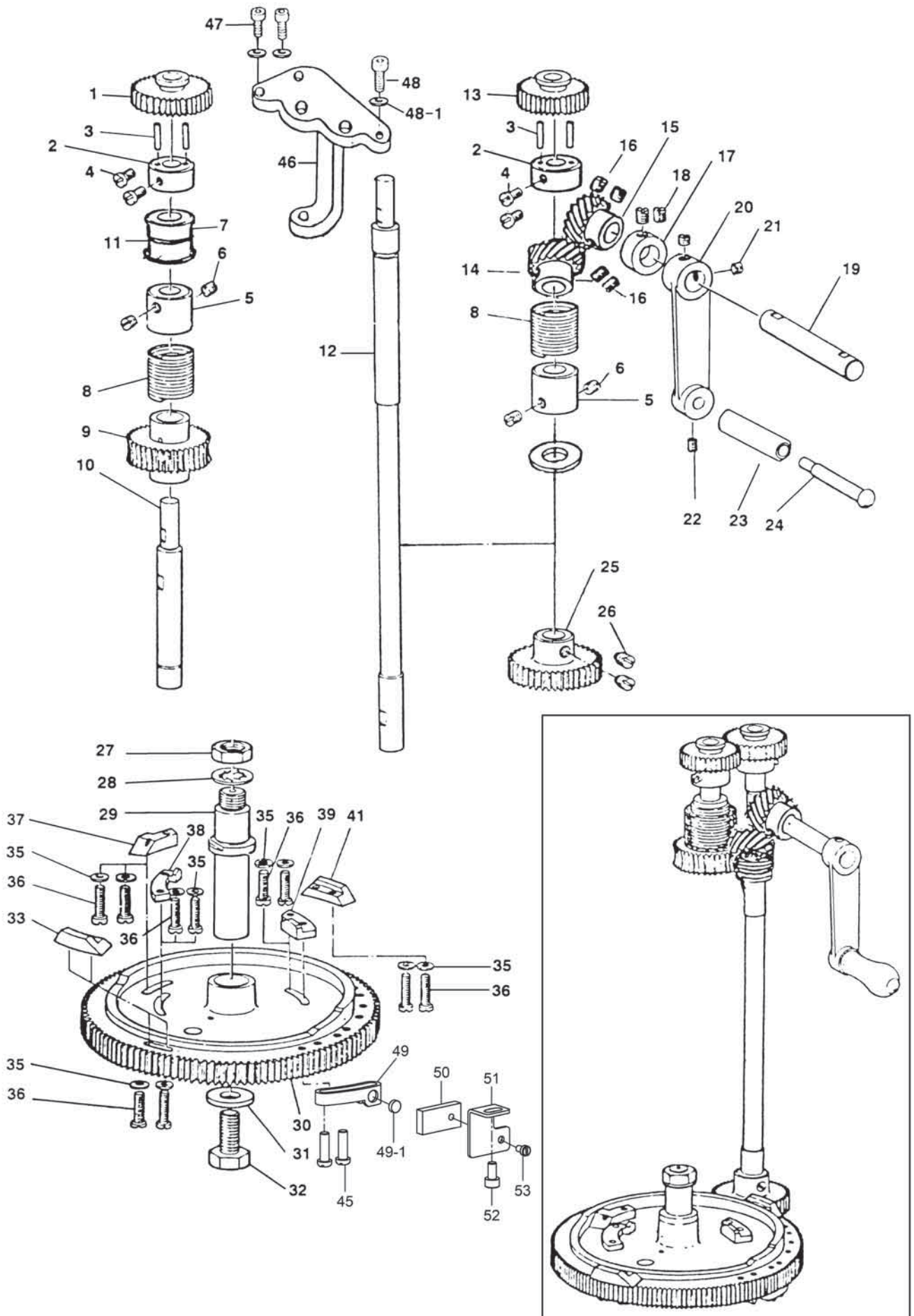
序号 NO.	注解 Note	件号 Part NO.	名称	Description	数量 Qty
1		4021500100	剪底线器组件	BOBBIN THREAD TRIMMER ASM.	1
2		40215002	针板组件	NEEDLE PLATE	1
3		402S17001	螺钉	SCREW	2
4		4021500300	针板座组件	THROAT PLATE BASE	1
5		4021900500	剪底线动刀	BOBBIN THREAD TRIMMER	1
6		402S30023	螺钉	SCREW	1
7		40219007	底线切刀固定刀	COUNTER KNIFE	1
8		402S11016	螺钉	SCREW	2
9		40204016	底线切刀杆	BOBBIN THREAD TRIMMER LEVER	1
10		402S11017	螺钉	SCREW	1
10-1		40228009	垫圈	WASHER	1
11		40219008	底线拉杆	BOBBIN THREAD PULLER	1
12		402S11018	螺钉	SCREW	2
13		402S11030	螺钉	SCREW	4
13-1		402S11036	螺钉	SCREW	1
14		40227012	压板	PRESSER PLATE	1
15		40212044	剪底线连杆	BOBBIN THREAD TRIMMER LINK	1
16		402S20012	铰链螺钉	SCREW	1
17		40227013	底线导向板	BOBBIN THREAD GUIDE	1
18		402S11022	螺钉	SCREW	2
19		40205008	剪底线传动杆	BOBBIN THREAD TRIMMER DRIVING LEVE	1
20		402S20013	螺钉	HINGE SCREW	1
21		40210004	套筒	SLEEVE	1
21-1		S05042	螺钉	SCREW	1
22		-----	剪线底传动杆		0
23		-----	套筒		0
24		-----	铰链销螺钉杆套筒		0
25		-----	剪底线传动杆		0
26		-----	套 筒		0
27		-----	螺钉		0
28		-----	剪底线传动杆连杆		0
29		-----	螺钉		0
30		402S16003	螺母	NUT	1
31		-----			0
32		40205019	凸轮连杆	CONNECTING LINK	1
33		402S30058	止动限位螺钉	STOP SCREW	1
34		402S16008	螺母	NUT	1
35		40226026	铰链螺栓	HINGE STUD	1
36		402S14001	内六角凹端紧定螺钉	SCREW	1
37		40205010	底线剪刀驱动杆	BOBBIN THREAD TRIMMER DRIVING ARM	1
38		402S20014	轴位螺钉	HINGE SCREW	1
39		402S30025	球形螺钉	BALL SCREW	1
40		402S16003	螺母	NUT	1

9.刀棒关系/KNIFE BAR COMPONENTS



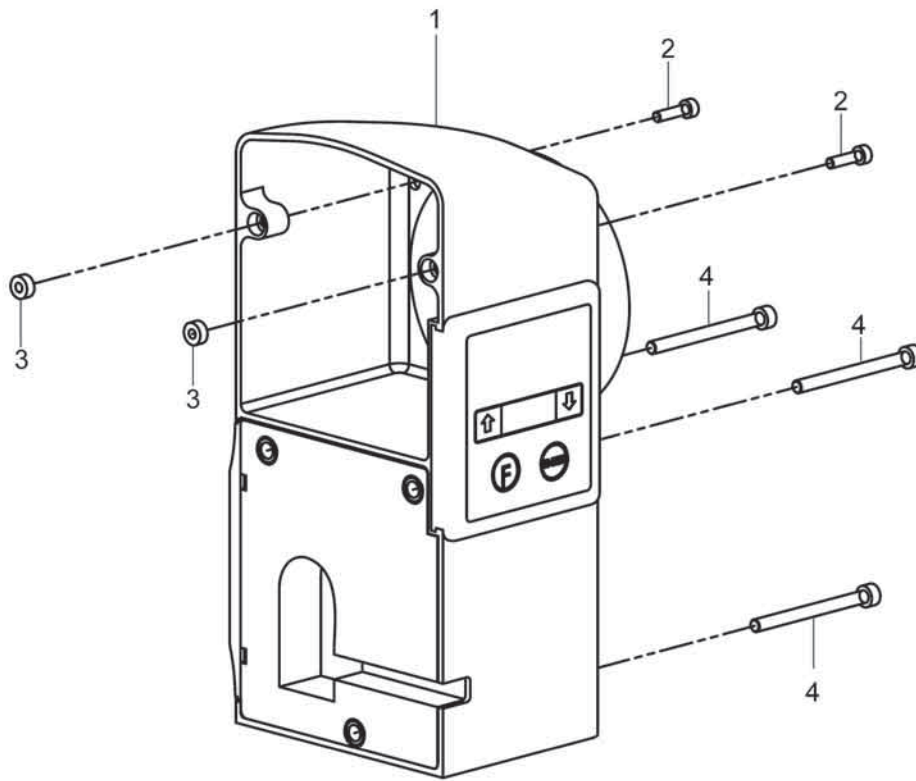
序号 NO.	注解 Note	件号 Part NO.	名称	Description	数量 Qty
1		40212045	停刀杆架平衡块	KNIFE STOP LEVER BRACKET	1
2		40228008	垫片	WASHER	3
3		402S11036	螺钉	SCREW	2
4		4021204600	停刀杆架组件	KNIFE STOP LEVER	1
5		402S11006	螺钉	SCREW	2
5-1		206S11002	螺钉	SCREW	2
6		40202015	停刀杆架铰链螺栓	KNIFE STOP LEVER HINGE STUD	1
7		40213002	线检测钢丝	THREAD CHECK WIRE	1
8		402S11003	螺钉	SCREW	1
8-1		W01013	垫片	SPACER	1
9		40202016	刀杆	KNIFE BAR	1
9-1		40222020	橡皮塞	RUBBER PLUG	1
10		40203021	刀杆套筒	KNIFE BAR BUSHING	1
11		402S13009	螺钉	SCREW	1
12-1		40226027	连杆销	CONNECTING LINK PIN	1
12-2		40226028	连杆销	CONNECTING LINK PIN	1
13		40205011	刀杆连杆	KNIFE BAR CONNECTING LINK	1
13-1		40222021	垫片	SPACER	1
14		402S30052	螺钉	SCREW	2
15		40201011	刀杆定位架	KNIFE BAR POSITION BRACKET	1
16		40203022	套筒	KNIFE BAR BUSHING	1
17		40209037	刀杆导引	KNIFE BAR GUIDE	1
18		40209013	刀固定架	KNIFE HOLDER	1
19					0
20		402S13005	螺钉	SCREW	2
20-1		40228010	垫片	WASHER	2
21		40219009	刀片1/2"	KNIFE 1/2"	1
22		40228010	垫片	WASHER	1
23		402S11020	螺钉	SCREW	1
24		40201012	刀杆传动杆	KNIFE BAR DRIVING LEVER	1
25		S05077	螺钉	SCREW	2
26		40227014	拉簧	SPRING	1
27		402S30026	铰链销螺钉	HINGE SCREW	1
28		402S30027	螺钉	ADJUSTING SCREW	1
28-1		40222022	止动垫	SPACER	1
29		402S16002	螺母	NUT	1
29-1		402S16021	螺母	NUT	1
30		40202046	刀杆传动杆轴	KNIFE BAR DRIVING LEVER SHAFT	1
31		402S16009	螺母	NUT	1
32		402S20015	轴位螺钉	HINGE SCREW	1
33		S05049	螺钉	SCREW	2
34		402S16010	刀杆传动曲柄螺母	KNIFE BAR DRIVING CRANK NUT	1
37		402S11013	螺钉	SCREW	1
37-1		40228011	垫片	SPACER	1
38		40204017	刀杆传动杆曲柄	KNIFE BAR DRIVING CRANK	1
39		12923018	油线	OIL WICK	1
40		40212026	油线支架	OIL WICK HOLDER	1
41		402S11004	螺钉	SCREW	1
42		S05025	螺钉M6×18	SCREW	2
43		402S20016	铰链螺钉	HINGE SCREW	1
44		40204018	刀杆传动曲柄轴	KNIFE BAR DRIVING CRANK SHAFT	1
46		40201013	刀杆传动杆	KNIFE BAR DRIVING LEVER BELL CRANK	1
47		402S30028	螺钉	SCREW	1
48		402S16005	螺母	NUT	1
49		402S20017	轴位螺钉	HINGE SCREW	1
50		402S16011	螺母	NUT	1
51		40226029	偏心销	PIN	1
52		40226030	铰链螺栓	HINGE STUD	1
53		402S14001	螺钉	SCREW	1
54		40227015	扭簧	TENSION SPRING	1
55		40210005	棘轮爪(B)	RATCHET PAWL (B)	1
56		40210006	棘轮爪(A)	RATCHET PAWL (A)	1
56-1		402S30029	弹簧悬置螺钉	SCREW	1
57		40227016	拉簧	TENSION SPRING	1
58		402S20018	轴位螺钉	HINGE SCREW	1
59		40202018	传动杆	DRIVING ROD	1
60		40227017	拉簧	TENSION SPRING	1
61		402S30030	悬挂螺钉	SUSPENSION SCREW	1
62		40212048	指形板	FINGER	1
63		40203023	传动杆定位架	DRIVING ROD POSITION BRACKET	1
64		P01008	销4×18	POSITION PIN	1
65		P03030	销3×18	SPRING PIN	1
66		40222023	止推垫圈	THRUST WASHER	1
67		40209014	刀座固定架	KNIFE HOLDER POSITION BRACKET	1
68		402S14006	螺钉	SCREW	1
69					0
70		402S30031	螺钉	SCREW	1

10.送布凸轮关系/FEED CAM & TRIPPING SEGMENT COMPONENTS



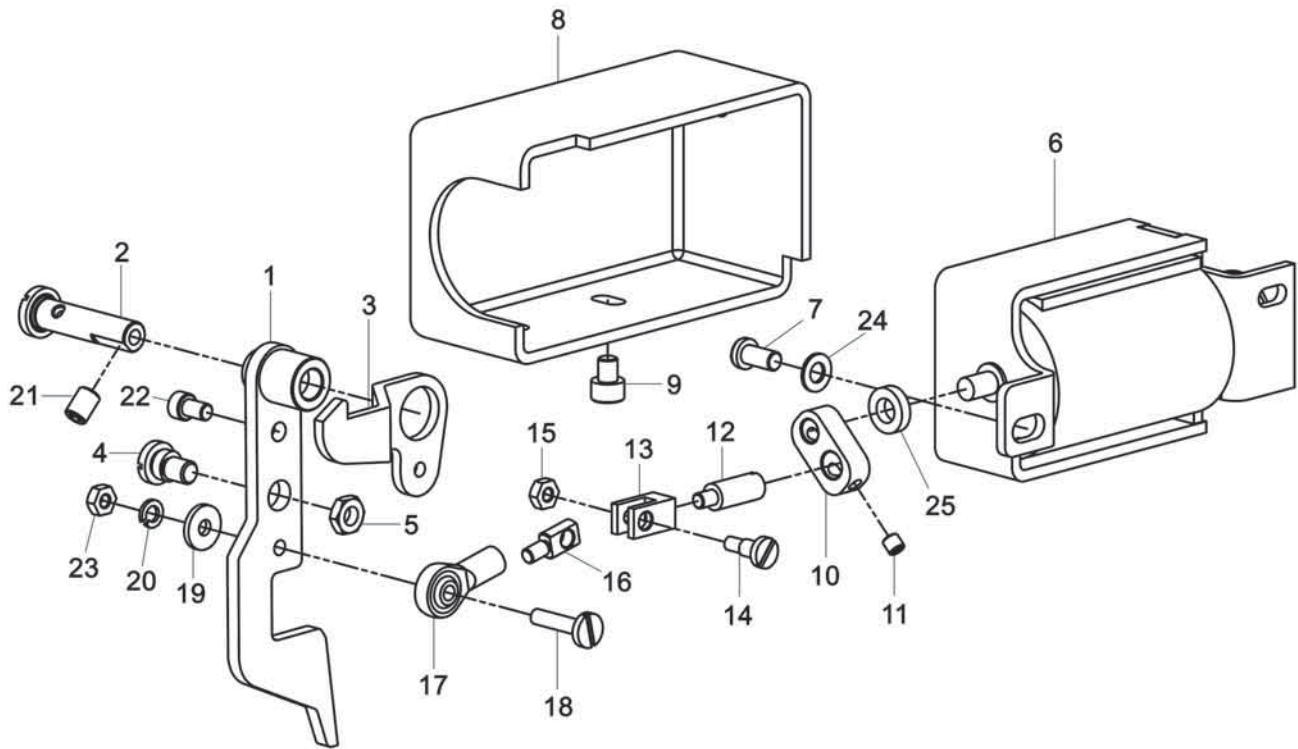
序号 NO.	注解 Note	件号 Part NO.	名称	Description	数量 Qty
1		40225006	直齿轮	SPUR GEAR	1
2		4020800400	正齿轮轴套组件	SPUR GEAR BUSHING	2
3		40226031	正齿轮定位销	SPUR GEAR BUSHING PIN	4
4		402S14006	螺钉	SCREW	4
5		40203024	离合环	CLUTCH COLLAR	2
6		402S14006	螺钉	SCREW	4
7		40203025	固定套管	POSITION BUSHING	1
8		40227018	离合器弹簧	CLUTCH SPRING	2
9		40225007	传动蜗轮	FEED CAM DRIVING WORM WHEEL	1
10		40202019	传动蜗轮轴	FEED CAM DRIVING WORM WHEEL SHAFT	1
11		40223016	油毡	COLLAR	1
12		40202020	送布凸轮传动蜗轮轴	FEED CAM DRIVING SHAFT	1
13		40225008	直齿轮	SPUR GEAR	1
14		40225009	手摇曲柄左齿轮	HANDLE CRANK BEVEL GEAR LEFT	1
15		40225010	手摇曲柄右齿轮	HANDLE CRANK BEVEL GEAR RIGHT	1
16		S09002	螺钉	SCREW	2
17		40208006	挡圈	THRUST COLLAR	1
18		402S14006	螺钉	SCREW	2
19		40202021	手摇曲柄轴	HANDLE CRANK SHAFT	1
20		40204019	手摇曲柄	HANDLE CRANK	1
21		402S14006	螺钉	SCREW	2
22		402S15002	螺钉	SCREW	1
23		40211007	手柄	HANDLE SHAFT	1
24		40202022	手柄轴	HANDLE SHAFT	1
25		40225011	送布凸轮传动齿轮	FEED CAM DRIVING GEAR	1
26		409S14001	螺钉M6×6	SCREW	2
27		N01010	螺母M12	NUT	1
28		40228012	垫片	THRUST WASHER	1
29		40202023	送布凸轮轴	FEED CAM SHAFT	1
30		40210007	送布凸轮	FEED CAM	1
31		40228013	垫片	WASHER	1
32		402S11027	螺钉	SCREW	1
33		40209015	加固离合块	BAR TRIPPING SEGMENT	1
34		-----			0
35		40228008	垫片	WASHER	6
36		402S11001	螺钉	SCREW	6
37		40209016	切刀离合块	KNIFE TRIPPING SEGMENT	1
38		40212049	松线离合块	TENSION RELEASE TRIPPING SEGMENT	1
39		40212050	松线离合块	TENSION RELEASE TRIPPING SEGMENT	1
40		-----			0
41		40209015	加固离合块	BAR TRIPPING SEGMENT	1
42		-----			0
45		402S11031	螺钉	SCREW	8
46		40209020	齿轮定位架	GEAR POSITION BRACKET	1
47		S05031	螺钉	SCREW	2
48		S05031	螺钉	SCREW	1
48-1		40228017	垫片	SPACER	3
49		40209038	低速感应块		1
49-1		40230006	磁铁	MAGNET	1
50		40230002	传感器	SENSOR	1
51		40212119	传感器安装板	SENSOR FITTING PLATE	1
52		413S13016	螺钉	SCREW	1
53		S01015	传感器安装螺钉	SCREW	1

11、电控关系/CONTROL BOX COMPONENTS



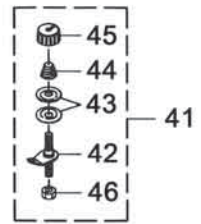
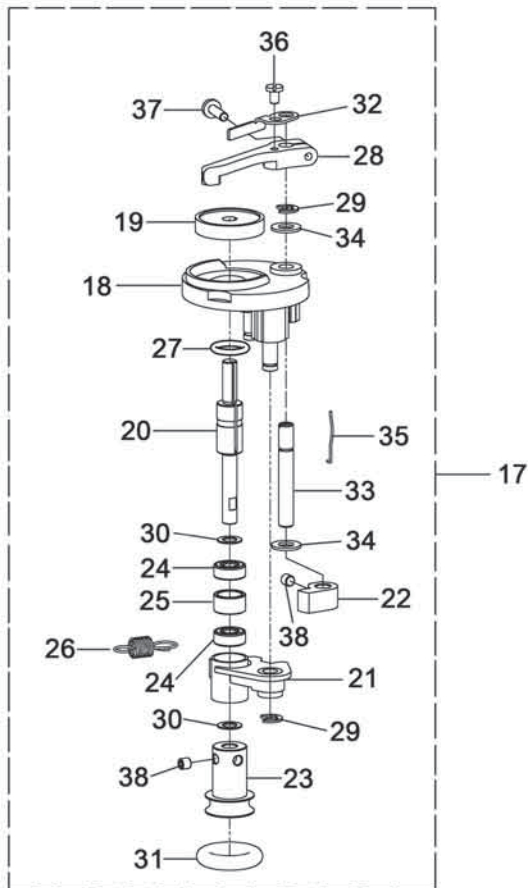
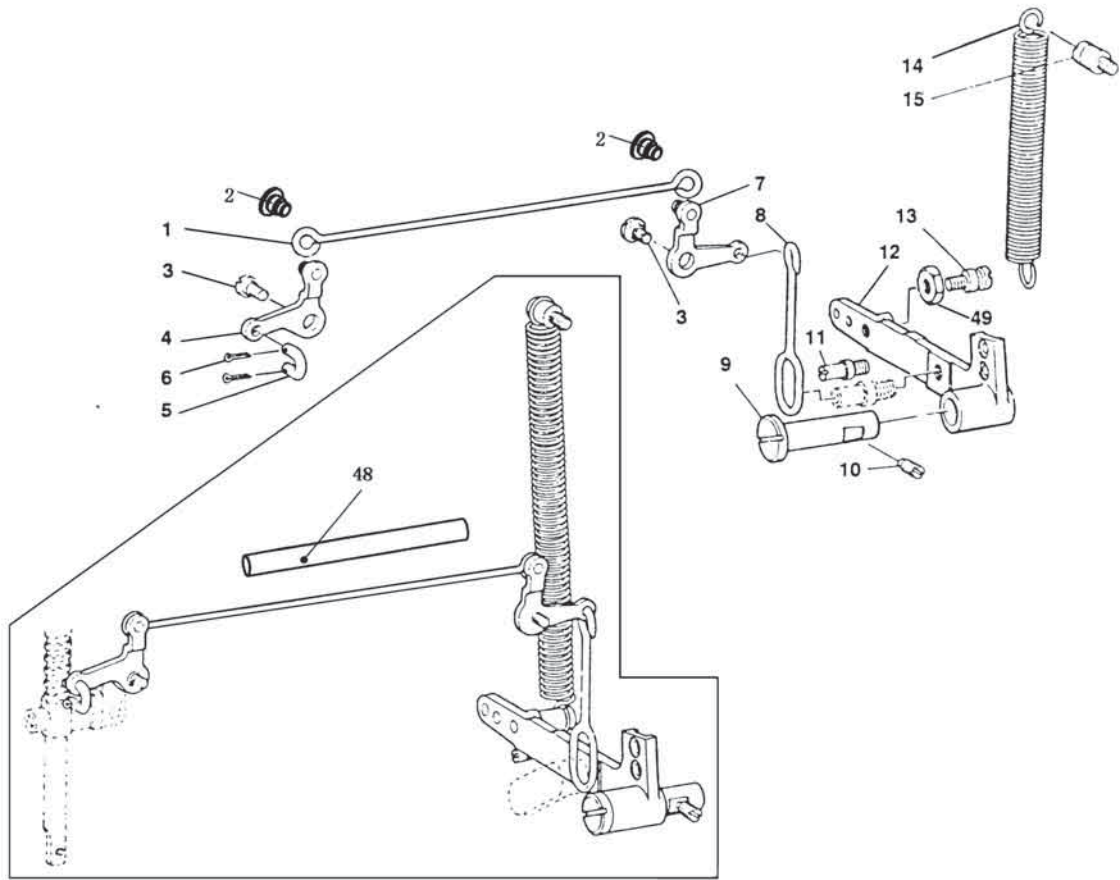
序号 NO.	注解 Note	件号 Part NO.	名称	Description	数量 Qty
1		40230007	电控组件	CONTROL BOX ASM	1
2		413S13020	螺钉M4×16	SCREW	2
3		40222039	橡胶垫圈	RUBBER WASHER	2
4		701S13010	螺钉M5×60	SCREW	3

12.安全保护关系/SAFE PROTECTION COMPONENTS



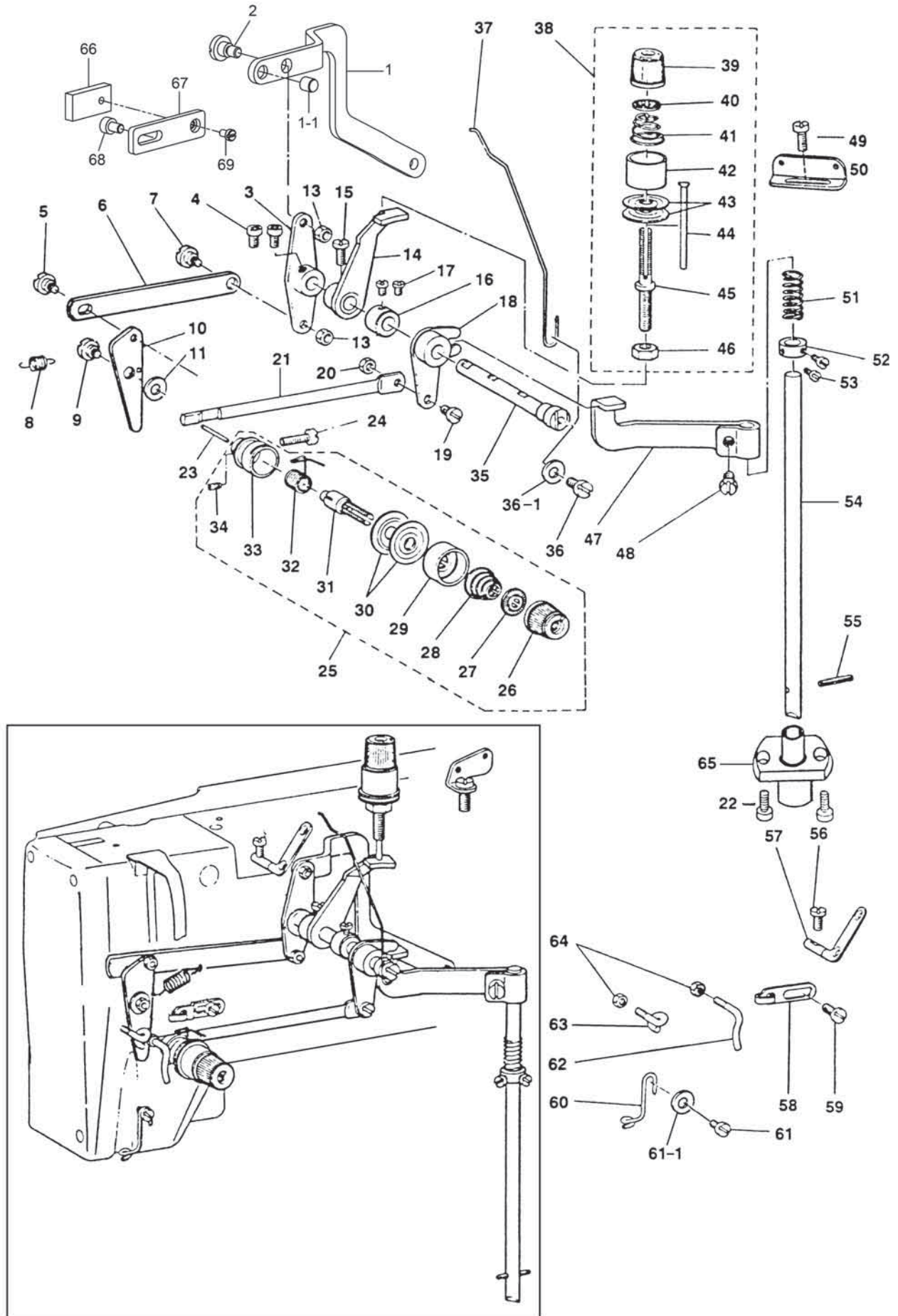
注解 Note	件号 Part NO.	名称	Description	数量 Qty	数量 Qty
1	4021212200	起动机架	STARTING LINK		1
2	40226030	铰链螺栓	HINGE STUD		1
3	40212054	安全底座	SAFETY BASE		1
4	40210008	轴位螺钉	HINGE SCREW		2
5	402S16003	螺母	NUT		2
6	40230003	电磁铁	SOLENOID		1
7	413S11002	电磁铁安装螺钉	SCREW		2
8	40211023	电池铁盖	SOLENOID COVER		1
9	413S13001	螺钉	SCREW		2
10	40204033	连接器	CONNECTOR		1
11	114S14001	螺钉	SCREW		2
12	40226049	连接销A	CONNECTING LINK PIN A		1
13	40204034	连接接头	CONNECTION		1
14	402S20036	螺钉	SCREW		1
15	402S16017	螺母	NUT		1
16	40226050	连接销B	CONNECTING LINK PIN B		1
17	40224005	杆端关节轴承	BEARING		1
18	402S11038	螺钉	SCREW		1
19	41728024	平垫片	WASHER		1
20	W02002	弹簧垫片	SPRING WASHER		1
21	402S14001	螺钉	SCREW		2
22	402S13010	螺钉	SCREW		1
23	413S16002	螺母	NUT		1

13.压脚提升架、绕线器组件/LIFTING LEVER & BOBBIN WINDER COMPONENTS



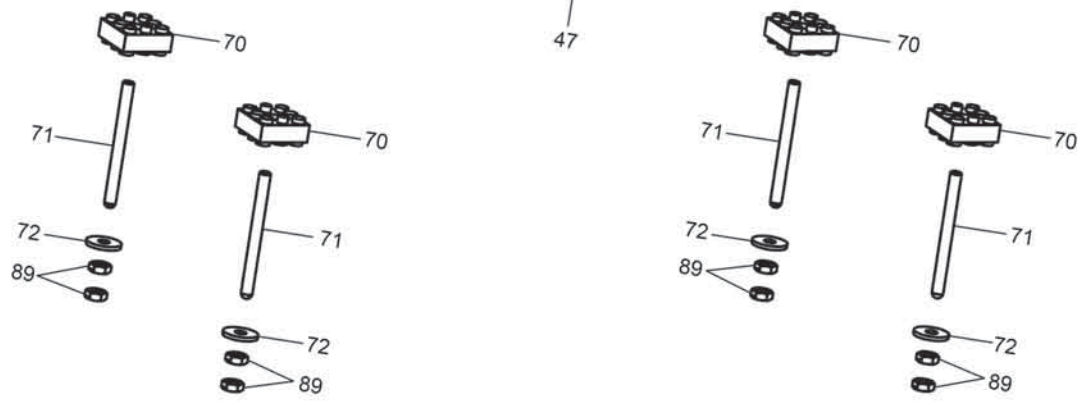
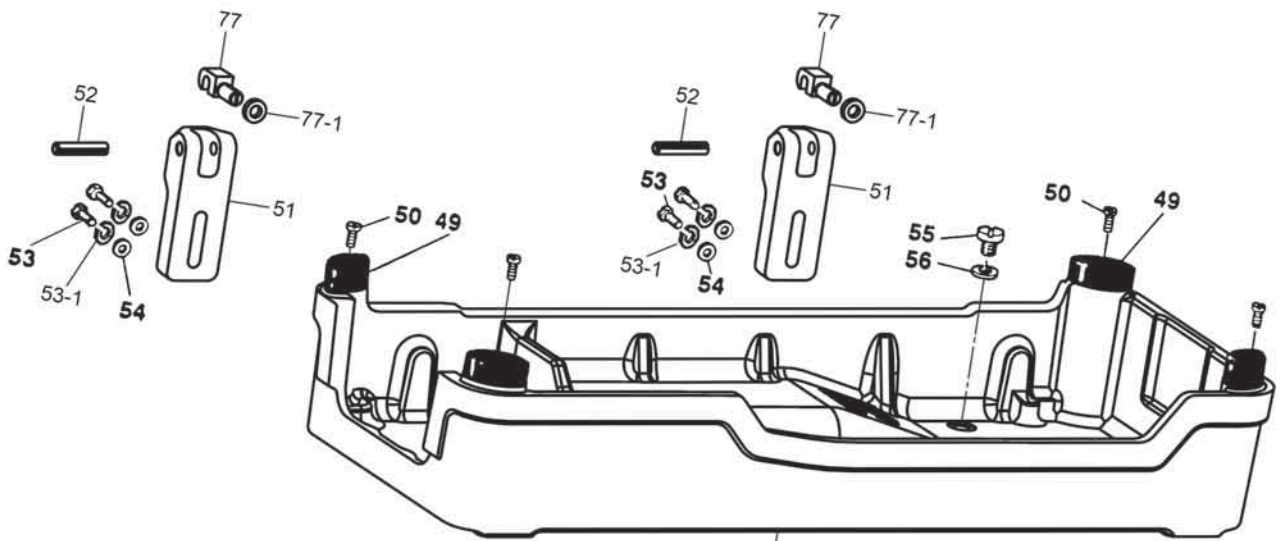
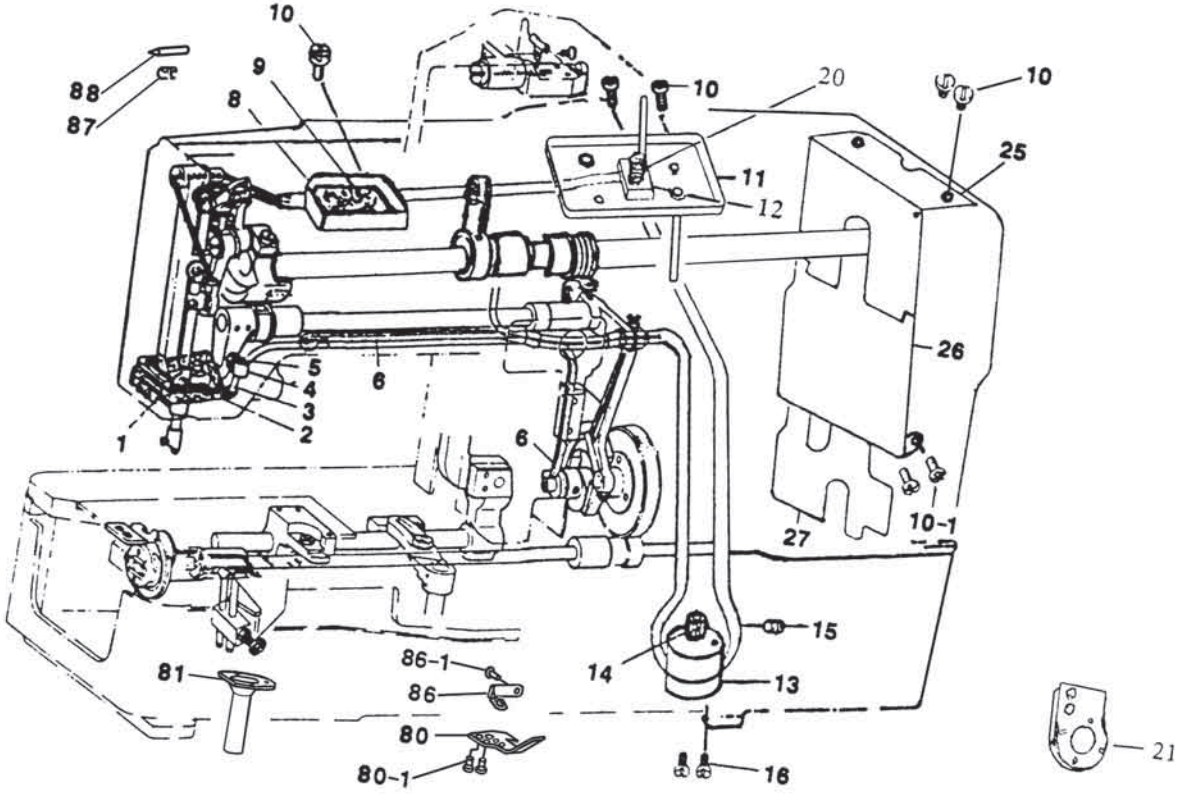
注解 Note	件号 Part NO.	名称	Description	数量 Qty	数量 Qty
1	40205012	压棒提升拉杆	PRESSER BAR LIFTING ROD LONG		1
2	402S20020	螺钉	SCREW		2
3	402S20021	轴位螺钉	HINGE SCREW		2
4	40205013	前杠杆板	LEVER FRONT		1
5	40204022	链环	LINK		1
6	40229001	开口销2×11	SPLIT PIN		2
7	40205014	后杠杆板	LEVER REAR		1
8	40205015	压棒提升拉杆	PRESSER BAR LIFTING ROD		1
9	40226036	离合杆铰链销	TRIPPING LEVER HINGE PIN		1
10	402S14001	螺钉	SCREW		1
11	402S30035	提升杆限位螺钉	LIFTING LEVER STOPPER		1
12	40212095	压棒提升杆	PRESSER BAR LIFTING LEVER		1
13	402S30036	悬挂螺钉	SUSPENSION SCREW		1
14	40227024	弹簧	PRESSER FOOT LIFTING SPRING		1
15	402S30032	悬挂螺钉	SUSPENSION SCREW		1
16	402S11037	绕线器安装螺钉	SCREW		3
17	4023101300	绕线器组件	BOBBIN WINDER ASM.		1
18	4021102200	绕线器安装座组件	BOBBIN WINDER BASE		1
19	40211020	梭心垫片	WASHER		1
20	40202041	绕线器轴	BTW SHAFT		1
21	4020403500	转动曲柄组件	BTW SHAFT BASE		1
22	40210010	转动凸轮	BTW CAM LEVER		1
23	40235025	转轮	BTW WHEEL		1
24	B04025	轴承686Z	BEARING		2
25	40208013	挡圈	BOBBIN BEARING SPACER		1
26	40227045	弹簧	SPRING		1
27	40222034	缓冲橡胶	RUBBER		1
28	40201062	梭心压杆	BTW LEVER		1
29	H05003	E型卡簧5	E-RING		2
30	40228029	垫片	WASHER		2
31	40222033	橡皮圈	BTW WHEEL RUBBER		1
32	40212100	绕线调节板	ADJUSTING PLATE		1
33	40202042	梭心压杆轴	BTW LEVER SHAFT		1
34	40228030	压杆轴垫片	WASHER		2
35	40227044	卡紧弹簧	SPRING		1
36	402S11039	螺钉	SCREW		1
37	402S11040	螺钉	SCREW		1
38	402S14007	紧定螺钉11/64×40	SCREW		3
39	11419001	割线刀	THREAD CUTTER		1
40	403S11020	螺钉	SCREW		2
41	1141300200	夹线器组件	BOBBIN THREAD TENSION ASM.		1
42	1143100300	过线销	BOBBIN THREAD TENSION ROD ASM		1
43	11413003	夹线片	THREAD TENSION DISK		2
44	11427006	夹线簧	CONNECTING ROD SPRING		1
45	11411004	夹线螺母	THREAD TENSION NUT		1
46	114S16001	固定螺母	NUT 11/64-40		1
47	-----				0
48	40203030	拉杆套管	TUBE		1
49	402S16003	螺母	NUT		1

14. 夹线器关系 / THREAD TENSION COMPONENTS



注解 Note	件号 Part NO.	名称	Description	数量 Qty	数量 Qty
1	40212104	松线连杆	TENSION RELEASE LINK		1
1-1	40230005	磁铁	MAGNET		1
2	402S20025	轴位螺钉	HINGE SCREW		1
3	40205017	松线杆	TENSION RELEASE LEVER		1
4	409S14001	螺钉	SCREW		2
5	402S20026	轴位螺钉	HINGE SCREW		1
6	40212062	连杆板	BLOCKING LINK		1
7	402S20025	轴位螺钉	HINGE SCREW		1
8	40127020	弹簧1850-0809	BLOCKING ARM SPRING		1
9	402S20021	轴位螺钉	HINGE SCREW		1
10	40212063	杠杆板	BLOCKING ARM		1
11	40228018	垫圈	WASHER		1
12	-----				0
13	402S16001	螺母	NUT		2
14	4021206400	松线杆	TENSION RELEASE LEVER		1
15	402S11023	螺钉	SCREW		1
16	40208009	挡圈	THRUST COLLAR		1
17	201S14002	紧定螺钉	SCREW		2
18	40204023	松线杆曲柄	TENSION RELEASE LEVER CRANK		1
19	402S20028	轴位螺钉	HINGE SCREW		1
20	402S16017	螺母	NUT		1
21	40202028	松线杆	TENSION RELEASE ROD		1
22	S05049	螺钉	SCREW		2
23	40226037	松线销	TENSION RELEASE PIN		1
24	S09011	螺钉	SCREW		1
25	4021300400	夹线器2号组件	TENSION CONTROLLER NO. 2 ASM		1
26	40211008	夹线调节手柄	TENSION NUT		1
27	40211009	夹线弹簧轴套	THREAD PULLING WIRE		1
28	40227030	夹线弹簧	TENSION SPRING		1
29	40212066	夹线盘压板	TENSION DISC PRESSER TUBE		1
30	40213005	夹线盘	TENSION DISC		2
31	402S30040	夹线柱	TENSION POST		2
32	40227031	挑线簧	THREAD TAKE-UP SPRING		1
33	40203032	夹线柱座	THREAD POST SOCKET		1
34	402S11024	螺钉	SCREW		1
35	40202029	松线杆轴	TENSION RELEASE LEVER SHAFT		1
36	402S11003	螺钉	SCREW		1
36-1	W01013	垫圈	WASHER		1
37	40213006	拉线钢丝	THREAD PULLING WIRE		1
38	4021300700	1号夹线器组件	TENSION CONTROLLER NO. 1 ASM.		1
39	40211010	夹线螺母	TENSION NUT		1
40	40211011	垫片	TENSION DISC STOPPER		1
41	40227032	夹线弹簧	TENSION SPRING		1
42	40212067	夹线压板	TENSION DISC PRESSER TUBE		1
43	40213008	夹线盘	TENSION DISC		2
44	40226038	松线销	TENSION RELEASE PIN		1
45	402S30041	2号夹线杆	TENSION POST		1
46	402S16018	螺母	NUT		1
47	40212068	松线臂	TENSION RELEASE ARM		1
48	402S30042	螺钉	SCREW		1
49	402S11013	螺钉	SCREW		1
50	40913010	导线板	THREAD GUIDE PLATE		1
51	40227023	弹簧	SPRING		1
52	40208010	挡圈	THRUST COLLAR		1
53	402S11022	螺钉	SCREW		2
54	40202030	松线柱	TENSION RELEASE ROD		1
55	P03030	销3×18	SPRING PIN		1
56	201S14002	螺钉	SCREW		1
57	40213009	二眼线钩	THREAD EYELET		1
58	40213010	右线钩	FRAME THREAD GUIDE		1
59	206S11002	螺钉	SCREW		1
60	40212070	针杆过线钩	NEEDLE BAR THREAD GUIDE		1
61	402S11003	螺钉	SCREW		1
61-1	W01013	垫圈	WASHER		1
62	40213011	第二紧线钩	TENSION THREAD GUIDE		1
63	40213012	挑线过线钩	TAKE-UP THREAD GUIDE		1
64	402S16017	螺母	NUT		2
65	40203033	定位架	POSITION BRACKET		1
66	40230004	传感器	SENSOR		1
67	40212120	传感器安装板	SENSOR FITTING PLATE		1
68	413S13016	螺钉	SCREW		1
69	S01015	螺钉	SCREW		1

潤滑装置 / LUBRICATION MECHANISM COMPONENTS



注解 Note	件号 Part NO.	名称	Description	数量 Qty	数量 Qty
1		-----			0
2	40223017	回油毡	OIL RETURN FELT		1
3	40221003	回油管	OIL RETURN TUBE		1
4	40212071	油管压板	CABLE HOLDER		1
5	402S11003	螺钉	SCREW		1
6	-----	油线	OIL WICK		1
7	-----	油管导架	PIPE GUIDE		0
8	40212072	储油器	OIL RECEIVER		1
9	40223019	油毡	OIL FELT		2
10	402S11003	螺钉	SCREW		2
10-1	206S11002	螺钉	SCREW		5
11	4021207300	盛油盘组件	OIL RECEIVER		1
12	400128	调节润滑螺钉座	OIL ADJUSTING SCREW BASE		1
13	4022000100	油泵座组件	OIL PUMP		1
14	40225012	油泵驱动蜗轮	OIL PUMP DRIVING WORM GEAR		1
15	201S14002		SCREW		2
16	S05003	螺钉M5×10	SCREW		2
17	-----	油毡导架	OIL FELT GUIDE		0
18	-----	螺钉	SCREW		0
19	-----	油量调节螺钉	HOOK OIL ADJUSTING SCREW		0
20	40227035	弹簧	SPRING		1
21	40212076	油泵板	OIL PUMP PLATE		1
22	-----				0
25	40212077	油罩	OIL SHIELD		1
26	40212078	油罩	OIL SHIELD		1
27	40212079	油罩	OIL SHIELD		1
47	40201066	油盘	OIL RESERVOIR		1
49	40222026	橡胶缓冲垫	RUBBER CUSHION		4
50	402S11003	螺钉	SCREW		4
51	40201020	铰链座300849	HINGE HOLDER		2
52	P03031	销P6×28	PIN		2
53	S05016	螺钉M6×25	SCREW		4
54	40228014	垫圈	WASHER		4
55	402S11026	螺钉	SCREW		1
56	40222027	垫片			1
68	-----	拔叉传动销			0
69	-----	橡胶套			0
70	40222028	油盘缓冲垫	MACHINE BASE FELT PAD		4
71	402S30048	油盘螺栓	MACHINE BASE SCREW STUD		4
72	40228019	垫圈	WASHER		4
77	40226039	连接销	CONNECTION STUD		2
77-1	40222031	橡胶垫圈	RUBBER WASHER		2
78	-----	油池			0
79	-----	O型环			0
80	40212081	油管固定板	PIPE RETAINER		1
80-1	206S11002	螺钉	SCREW		2
86	40212082	油管导架	PIPE GUIDE		1
86-1	206S11002	JK788-1175-3螺钉	SCREW		2
87	40212099	油线固定夹	OIL WICK LATCH		1
88	20626004	油线销	OIL WICK PIN		1
89	401S16002	螺母	NUT		4