

---

## 開頭語

---

衷心感謝您購買本公司產品！使用縫紉機之前，請認真閱讀此說明書。本說明書介紹了縫紉機日常使用、維護與安全的有關注意事項。請您仔細加以保管，以便日后查閱。如產品規格或外觀經過改良可能會與說明書略有不同，恕不另行通知。

---

## PROLOGUE

---

Thanking you for your purchase our products sincerely, please reading the manual book before operation, the book introduce some points how to operate, maintenance, and safe. Please keep it carefully for reading in the further; you will be not informed if the file has been revised. Please set sample as standard.



## 爲了安全

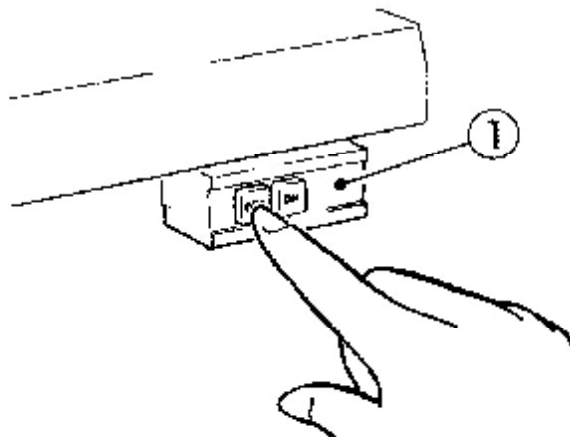
對於縫紉機本身各種裝置，我們充分考慮到它的安全性。請遵照基本的操作方法，安全的進行工作。

- 拆除爲保證安全所設置的裝置，零件的情況下使用，是非常危險的，請絕對不要拆除后使用。
- 縫紉機在使用時，請不要在縫紉機臺板上放置工具及縫紉時不必要的物品。
- 在對縫紉機進行檢修、調節、清掃、穿綫、換針等工作時，爲防止發生事故，務必請切斷電源，在確認即使踩下縫紉機踏板，縫紉機也不轉動之后，再進行操作。

### 注意

使用離合式馬達的情況下，在關掉電源①后因慣性作用會繼續旋轉。這時如不注意踩動縫紉機踏板②時，縫紉機會突然動作，這是很危險的。

請在關掉電源后，仍繼續踩動踏板②，直至縫紉機完全停下來爲止。



- 在離開縫紉機臺時，務必請關掉電源。
- 停電時也請務必關掉電源。
- 爲了總是安全地，運轉良好的使用縫紉機，日常的點檢是不可缺少的，請予以注意。



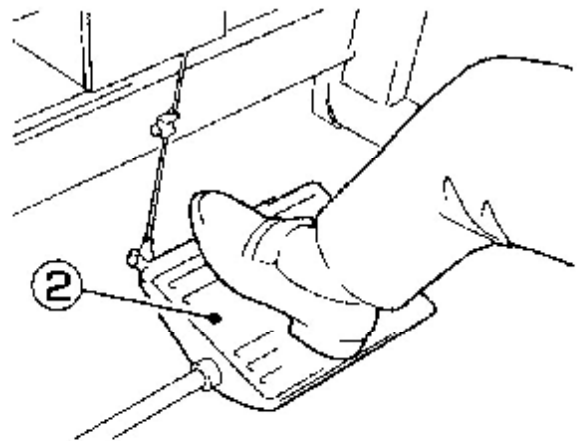
## OBSERVE THESE SAFETY PRECAUTIONS

Though Our takes the utmost care to produce safe sewing machines and devices, operators should follow these basic safety rules.

- To prevent accidents, do not remove safety devices or parts while operating the machine.
- Do not leave tools or other unnecessary objects on the machine table while operating the machine.
- Before maintenance, adjusting, cleaning, threading or replacing the needle, and to prevent accidents, be sure the power is turned off. Check that the machine will not operate when the pedal is pressed.

### Note

In case a clutch type motor is used, it will keep on rotating by inertia after turning off power supply. ① If the machine pedal ② is stepped on inadvertently, it is dangerous because the machine will move unexpectedly. Keep on stepping on the pedal ② until the machine comes to a stop after turning off power supply.



- Turn the power off before leaving the machine table.
- In the event of a power failure, be sure to turn the machine off.
- Check that the machine is securely grounded.

## 重要安全事項

此縫紉機在有的國家（設置場所）由於該國的安全規定而被禁止使用。同時，技術服務也同樣被禁止。

1. 使用此縫紉機時，必須遵守包括如下項目的基本安全措施。
2. 使用此縫紉機之前，請閱讀本使用說明書在內的所有指示文件。同時應將此使用說明書妥善保管，以便能夠隨時查閱。
3. 此縫紉機應與貴國的有關安全規定一起使用。
4. 使用此縫紉機和縫紉機動作中，所有的安全裝置應安裝到規定的位置。沒有安裝規定的安全裝置的縫紉機禁止使用。
5. 此縫紉機應由接受過培訓的操作人員來操作。
6. 使用縫紉機時，建議戴安全防護眼鏡。
7. 發生下列情況時，應立即關掉電源開關，或拔下電源線插頭。
  - 7-1 機針、彎針、分離器等穿綫和更換旋梭時。
  - 7-2 更換機針、壓腳、針板、彎針、分離器、送布牙、護針器、支架、布導向器等時。
  - 7-3 修理時。
  - 7-4 工作場所無人了或離開工作場所時。
  - 7-5 使用離合馬達時，請等待馬達完全停止之后再進行。
8. 縫紉機以及附屬裝置使用的機油、潤滑脂等液體流入眼睛或沾到皮膚上時，或被誤飲時，應立即清洗有關部分并去醫院治療。

9. 禁止用手觸摸打開了縫紉機開關通電的零件或裝置。
10. 有關縫紉機的修理、改造、調整應由受過專門訓練的技術人員或專家來進行。
11. 一般的維修保養應由受過訓練的人員來進行。
12. 有關縫紉機的電氣方面的修理、維修應由有資格的電氣技術人員或專家的監督和指導下進行。
13. 修理、保養有關空氣、汽缸等壓縮空氣的零件時，應切斷空氣壓縮機供氣源后再進行。  
如有殘留壓縮空氣時，應放掉壓縮空氣。  
但，受過相當訓練的技術人員或專家進行有關調整或確認動作時除外。
14. 縫紉機的使用期間應定期進行清掃。

15. 爲了正常安全運轉，應安裝地綫。同時應在不受高頻焊接機等強噪音源影響的環境下使用。
16. 電源插頭應用具有電氣專門知識的人來安裝。電源插頭必須連接到接地插座上。

17. 縫紉機指定用途以外不能使用。
18. 對縫紉機的改造、變更應符合安全規格，并采取有效的安全措施。另外，對於有關改造和變更，本公司概不負責。

19. 本使用說明書上采用以下 2 個警告符號。



有損傷操作人員、維修人員的危險。



安全上需要特別加以注意的事項。



## IMPORTANT SAFETY INSTRUCTIONS

Putting sewing systems into operation is prohibited until it has been ascertained that the sewing systems in which these sewing machines will be built into, have conformed with the safety regulations in your country. Technical service for those sewing systems is also prohibited.

1. Observe the basic safety measures, including, but not limited to the following ones, whenever you use the machine.
2. Read all the instructions, including, but not limited to this instruction Manual before you use the machine. In addition, keep this Instruction Manual so that you may read it at anytime when necessary.
3. Use the machine after it has been ascertained that it conforms with safety rules/standards valid in your country.
4. All safety devices must be in position when the machine is ready for work or in operation. The operation without the specified safety devices is not allowed.
5. This machine shall be operated by appropriately-trained operators.
6. For your personal protection, we recommend that you wear safety glasses.
7. For the following, turn off the power switch or disconnect the power plug of the machine from the receptacle.
  - 7-1 For threading needle(s), looper, spreader etc. and replacing bobbin.
  - 7-2 For replacing part(s) of needle, presser foot, throat plate, leeper, spreader, feed dog, needle guard, folder, cloth guide etc.
  - 7-3 For repair work,
  - 7-4 When leaving the working place of when the working place is unattended.
  - 7-5 When using clutch motors without applying brake, it has to be waited until the motor stopped totally.
8. If you should allow oil, grease, etc. used with the machine and devices to come in contact with your eyes or skin or swallow any of such liquid by mistake, immediately wash the contacted areas and consult a medical doctor.

9. Tampering with the live parts and devices, regardless of whether the machine is powered, is prohibited.
10. Repair, remodeling and adjustment works must only be done by appropriately trained technicians or specially skilled personnel. Only spare parts designated by can be used for repairs.
11. General maintenance and inspection works have to be done by appropriately trained personnel
12. Repair and maintenance works of electrical components shall be conducted by qualified electric technicians or under the audit and guidance of specially skilled personnel. Whenever you find a failure of any of electrical components, immediately stop the machine.
13. Before making repair and maintenance works on the machine equipped with pneumatic parts such as an air cylinder, the air compressor has to be detached from the machine and the compressed air supply has to be cut off. Existing residual air pressure after disconnecting the air compressor from the machine has to be expelled. Exceptions to this are only adjustments and performance checks done by appropriately trained technicians or specially skilled personnel.
14. Periodically clean the machine throughout the period of use.

15. Grounding the machine is always necessary for the normal operation of the machine. The machine has to be operated in an environment that is free from strong noise sources such as high-frequency welder.
16. An appropriate power plug has to be attached to the machine by electric technicians. Power plug has to be connected to a grounded receptacle.

17. The machine is only allowed to be used for the purpose intended. Other used are not allowed.
18. Remodel or modify the machine in accordance with the safety rules/standards while taking all the effective safety measures. assumes no responsibility for damage caused by remodeling or modification of the machine.

19. Warning hints are marked with the two shown symbols.





Danger of injury to operator or service staff





Items requiring special attention

## 爲了安全的使用 JK-8008HF縫紉機的注意事項

 <b>危險</b>	<ol style="list-style-type: none"><li>1. 爲了防止觸電事故，請不要在接通電源的狀態下打開馬達電氣箱的蓋子或觸摸電氣箱內的零件。</li><li>2. 變更圖案后，請確認落針位置。萬一圖案突出壓腳，縫制中機針會碰到壓腳，發生危險的斷針事故。</li><li>3. 機針落下的狀態請不要關閉電源。有可能挑線杆弄斷機針。</li></ol>
 <b>注意</b>	<ol style="list-style-type: none"><li>1. 爲了防止被卷入的人身事故的發生，繞綫時請確認了機針下沒有障礙物之后再踩起動開關。</li><li>2. 打開電源、打開準備鍵、打開壓腳開關時，壓腳會自動地下降，爲了防止人身事故的發生，請絕對不要把手指放到壓腳下面。縫紉機運轉中，請不要把手指靠近壓腳。</li><li>3. 爲了防止手指碰到機針的事故，更換壓腳時，請安裝適合壓腳的手指保護器。</li></ol>

## FOR SAFE OPERATION OF BRC-8008HF

	<ol style="list-style-type: none"><li>1. To avoid electrical shock hazards, neither open the cover of the electrical box for the motor nor touch the components mounted inside the electrical box.</li><li>2. After changing the pattern, make sure the needle entry point, If the pattern is protruded from the work clamp feet, the needle will interfere with the work clamp feet during sewing, and it is dangerous due to the needle breakage or the link.</li><li>3. Do not turn OFF the power in a state that the needle is lowered. Wiper may break the needle.</li></ol>
	<ol style="list-style-type: none"><li>1. So as to prevent possible accidents caused by abrupt start of the sewing machine, depress the start switch after ascertaining that there is no interfering thing under the needle when winding the bobbin thread.</li><li>2. When turning OFF the power switch, turning ON the ready switch or turning ON the work clamp foot switch, the work clamp feet automatically come down. So never place your fingers under the work clamp feet to prevent possible accidents caused by abrupt start of the sewing machine. During operation, be careful not to allow your fingers to come close to the work clamp feet.</li><li>3. So at to prevent possible accidents caused by the touch of the fingers with the needle, install a finger guard suitable for each work clamp foot when replacing the work clamp foot.</li></ol>

# 目 錄

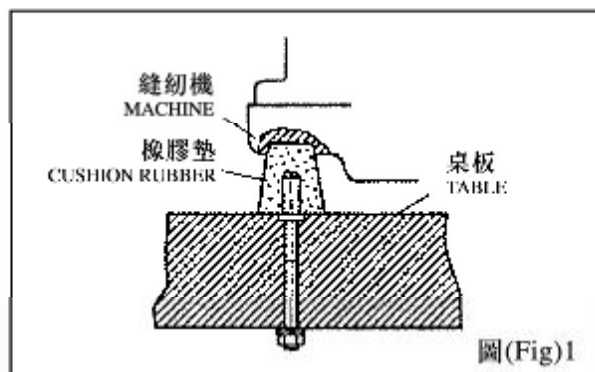
一、機器如何安裝 .....	1
二、潤滑油之注入與更換 .....	2
三、針之更換 .....	2
四、穿綫之方法 .....	3
五、控綫之調整 .....	3
六、縫距之調整 .....	4
七、壓脚壓力之調整 .....	4
零件圖冊 .....	6-39

# CONTENTS

1、 TO INSTALL A MACHINE .....	1
2、 LUBRICANT OIL FILLING AND REPLACEMENT .....	2
3、 TO REPLACE NEEDLES .....	2
4、 THREADING .....	3
5、 THREAD TENSION ADJUSTMENT .....	3
6、 STITCH LENGTH ADJUSTMENT .....	4
7、 ADJUSTING THE PRESSURE OF PRESSER FOOT .....	4
PARTS BOOK .....	6-39

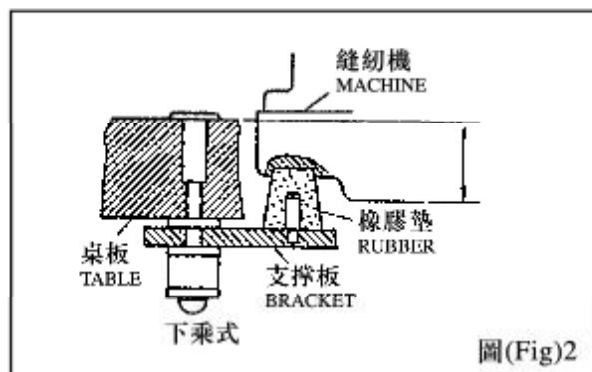


## 一、機器如何安裝 / TO INSTALL A MACHINE



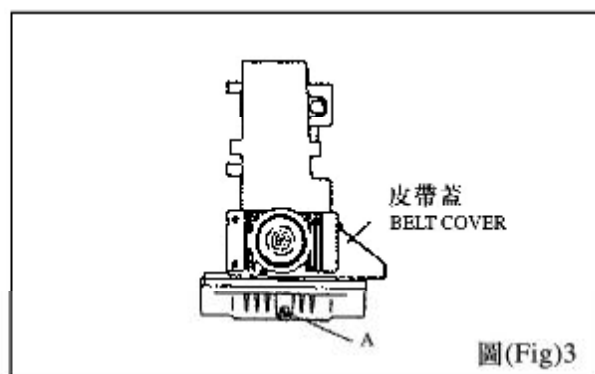
圖(Fig)1

1. 依本機器所附桌板裁制圖及零件組合圖所列之配件，依序安裝防震機座，及線架(圖1&2)。



圖(Fig)2

1. With reference to diagrams for table cutting and mounting parts list, install cushion rubber and thread stand in sequence (Fig.1&2)



圖(Fig)3

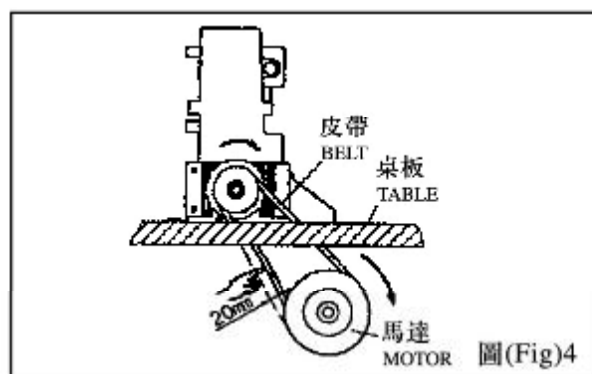
2. 馬達之轉向為順時針方向，皮帶之松緊度以用手指能向內壓20mm，同時為安全起見請皮帶蓋必須鎖上。(圖3&4)

3. 皮帶蓋及縫合轉速，請參照(表1)。

注意：

- 1). 使用新機器最初一個月運轉速度約為最高速(表2)之80%，並請選擇正確的馬達皮帶輪尺寸(表1)。
- 2). 桌板厚度約50mm。
- 3). 馬達規格：離合器馬達，3相2極400瓦(1/2HP)。
- 4). 皮帶規格：M型V字皮帶。

轉速 / 分	發動機型號	
	60HZ	50HZ
4500	90	105
4000	80	95
3500	70	85



圖(Fig)4

2. Motor should turn clockwise with proper tension for driving belt. It can be checked by pushing belt inward for 20mm. Please install belt cover properly for safety purpose. (Fig. 3&4)

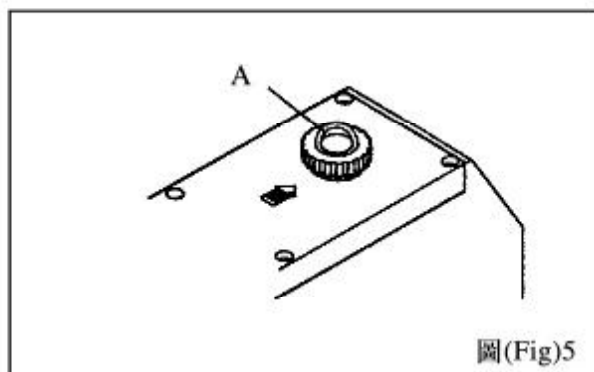
3. Motor pulley size and sewing speed, please refer to Table 1.

Remarks:

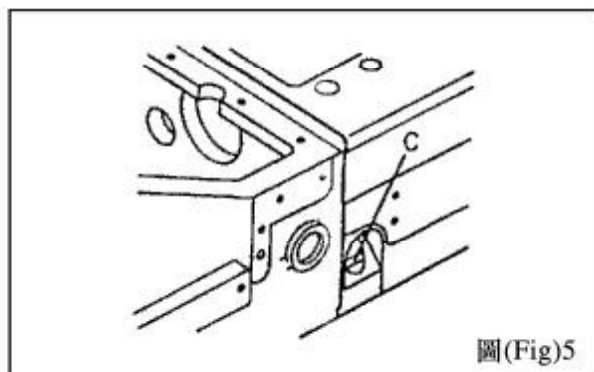
- 1). New machines run a speed at approximately 80% of the Maximum speed in the first month (Tab.1). Be sure to choose proper motor pulley for your machine.
- 2). Thickness of Table Top is about 50mm.
- 3). Specification of motor:  
Clutch motor 3 phase, 2 poles, 400W (1/2HP).
- 4). Driving Belt: M type, V belt.

S.P.M	Motor Pulley Size (mm)	
	60HZ	50HZ
4500	90	105
4000	80	95
3500	70	85

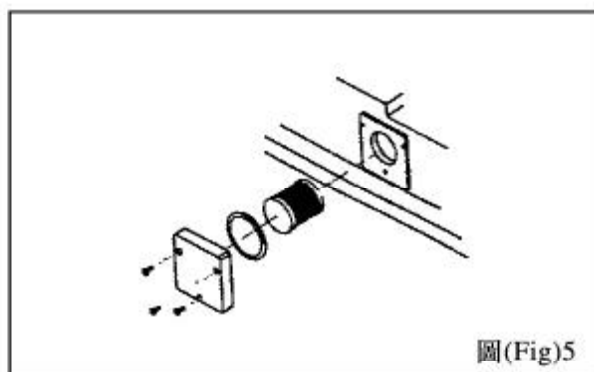
## 二、潤滑油之注入與更換 / LUBRICANT OIL FILLING AND REPLACEMENT



圖(Fig)5



圖(Fig)5



圖(Fig)5

新機器運裝前均已將油倒盡，因此機器使用前必須加入潤滑油。

### 1. 潤滑油之注入(圖5&6):

將(A)旋開，以包裝箱內所附之超高速潤滑油或選用MOBIL #或ESSO #32等級之潤滑油加入，直至油窗(C)內之油標綫間即可，然后再鎖緊(A)。

### 2. 潤滑油之更換: (圖3)

- \* 將螺絲(A)松開，是使油槽完全排出后再鎖緊。
- \* 為延長本機器之壽命，請于開始使用四星期后更換新油，用后約四個月更換一次。

### 3. 濾油器之更換(圖7)

- \* 本機器特別裝有濾油器，約每使用一個月后應卸下清洗，必要時得更換新品。

Machine chamber is empty with no oil. Please fill lubricant oil into new machines before running.

### 1. To fill lubricant oil: (Fig.5&6)

- \* Loosen Knob (A), fill in with lubricant oil or its equivalent such as Mobil #10 or Esso 332. Please fill the oil up between two level lines on oil Indicator (C) and tighten knob up.

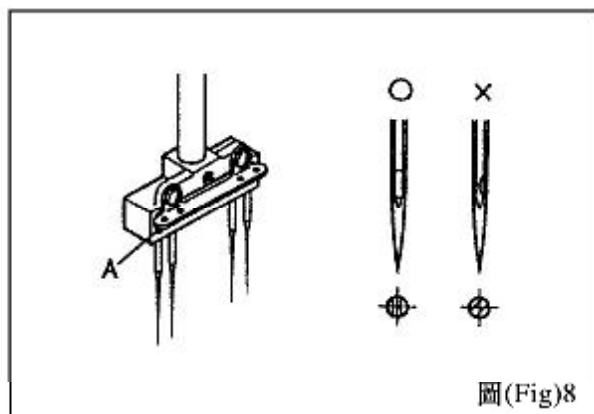
### 2. To replace lubricant oil: (Fig.3)

- \* Loosen Knob (A), drain oil from the oil tank & tighten it up.
- \* For smoothing machine, please replace lubricant oil after the first 4 weeks operation. There after, replace oil every 4 months.

### 3. To replace oil filter: (Fig.7)

- \* Take filter out and cleans up very month. Replace with new filters if necessary.

## 三、針之更換 / TO REPLACE NEEDLES



圖(Fig)8

選用針之規格與尺寸請參照(表2)

### 1. 旋松螺絲(A)并取下針。(圖8)

2. 將新針插入針座之針孔至最底端，并使針之最長溝面向自己。

### 3. 重新鎖緊螺釘(A)。

4. 如果針安裝不正確，不但會引起跳針，斷綫還會損壞勾針，務必注意。

- \* Please refer to Table 2 for proper needle sizes.

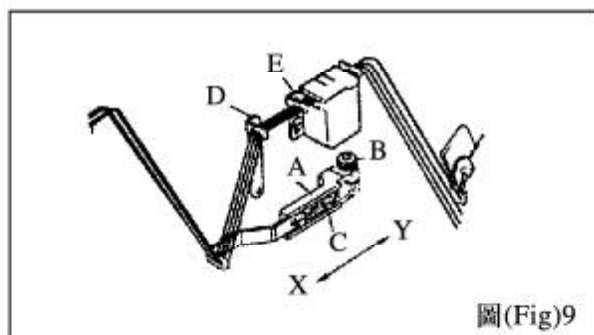
1. Loosen Screw (A) and take out the used needle. (Fig.8)



表2 (Table2)		
布料種類 Type of Fabric	針規格 Needle System	針耗 Needle Size
薄-中厚布料 Fine-Medium	UY128GAS	#80-#110 #12-#18
厚-極厚不布料 Heavy-Extra Heavy	TV*5	#130 S21

- Put new needle into needle clamp holes as far as they can go. The groove of needle should be on itself.
- Tighten Screw (A).
- Improper needle setting will cause skipping stitches, breaking threads, and damaging loopers. Please pay attention to needle installation.

#### 四、穿綫之方法 / THREADING

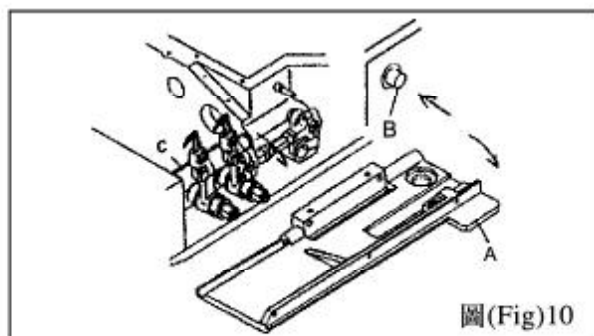


圖(Fig)9

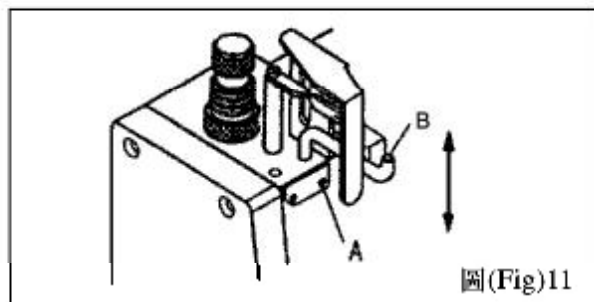
- 請確實按照圖示之穿綫，錯誤之穿綫將引起斷綫，跳針或車縫不平坦等現象，請參照穿綫第6頁。
- 在穿勾針綫時，打開前蓋(A)旋轉手輪，將針轉至高點后在將勾針座心控制壓扭(B)沿箭頭方向壓入，使勾針心軸與帶動運杆分離，然後將勾針座位(C)向前扳出，即可進行穿綫。(圖9)

- For needle threading, please thread carefully as threading Page 6.  
Please note: improper threading will cause breaking threads, skipping stitches, and/or undesired sewing.
- For looper threading, open front cover (A), turn handle wheel till needles at the highest point and press (B) as illustrated to let the looper base separate from the connecting rod then move (C) forward and proceed to threading. (Fig.9)

#### 五、控綫之調整 / THREAD TENSION ADJUSTMENT



圖(Fig)10



圖(Fig)11

- 控綫強弱必須根據車縫布料種類、厚薄、綫及縫距等不同而做不同之調整做不同之調整(圖9)。
- 將控綫鈕順時針方向旋轉時綫越緊張力越大；反之則越松綫張力越小；張力超過規格強度時將會引起斷綫和跳針現象。
- 調整綫張力依據使用之綫與布面不同，例如：  
需調整較大之綫張力 - 厚布或棉綫  
需調整較小之綫張力 - 薄布或伸縮尼龍綫
- 針控綫杆之調整(圖11)  
針綫控綫杆(B)依縫綫使用種類來選擇使用之狀態，放鬆螺絲(A)將(B)上下移動調整，在使用伸展性大的縫綫時將(B)上移動，則針孔處之綫環就會變大，以利勾綫。
- 轉動手輪使針棒位于最底位置時，針綫控制杆(A)必須成水平狀態，必要時要放鬆螺絲(B)調整之。(圖9)

## 6. 針線控制杆之調整(圖9)

- (1) 將螺絲(C)松開，左右移動至適當距離。
- (2) 欲將針線調松時，將控線杆(A)往X方移動，反之則往Y方移動。
- (3) 控線片(D)(E)上下調整亦有同調整(A)控線杆之效果。

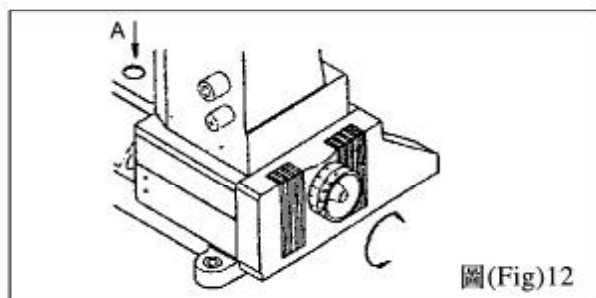
1. Thread tension should be adjusted in according to fabrics, thickness of fabrics, material, thread used and stitch length etc. (Fig.9)
2. Turn thread-knob clockwise for increasing thread tension and vice versa. It will be thread breaking & skipping if the thread tension excess standard.
3. Adjust the tension of thread according to the kind of thread and fabrics, Ex:  
Increasing thread tension Heavy weight fabric or Cotton thread.  
Decreasing thread tension Light weight fabric Elastic Nylon thread.
4. Take-up lever adjustment (Fig.11)  
The position of Needle Thread Take-up Lever (B) is adjustable according to thread used. Loosen Screw (A), move lever (B) up and down for the optimum position. For instance, when using high Extension thread, Move lever (B) upward and vice versa.
5. Turn handle wheel till needle at its lowest location, needle tension post (A) could be horizontal by loosen screw (B) to adjust it if necessary. (Fig 9)
6. The procedures for adjusting of needle tension post:(Fig.9)
  - (1) Loosen Screw (C), move to left or right till a desired position.
  - (2) To loosen thread, move tension post (A) toward direction X, opposite direction Y to tighten thread.
  - (3) By moving thread tension (D) & (E) up and down has similar effect as needle tension post (A).

## 六、縫距之調整 / STITCH LENGTH ADJUSTMENT

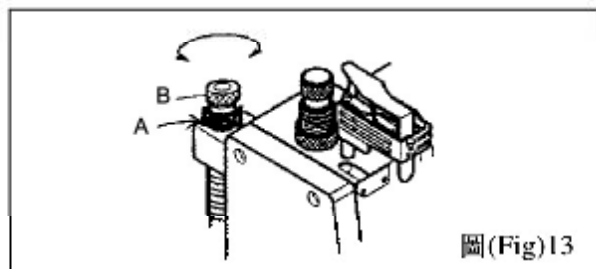
首先確認馬達需關掉，然後壓下縫距調整按鈕(A)，並轉動皮帶輪，會感覺卡一聲，即按鈕卡住針距調整組，再轉動皮帶輪至所需之縫距欲調長縫距時，將皮帶輪往順時針方向旋轉，反之則小，再放開此按鈕。(圖12)

Be sure to turn off motor before adjust, Push stitch length Regulator Button (A) and turn pulley until the button lock in the stitch regulator. Then turn pulley again to reach desired stitch length, turn pulley clockwise for longer stitch length, vice versa, Then, release the button. (Fig12)

## 七、壓腳壓力之調整 / ADJUSTING THE PRESSURE OF PRESSER FOOT



圖(Fig)12



圖(Fig)13

在布料推送順暢且縫合完美之情況下，押具壓力盡量輕些。

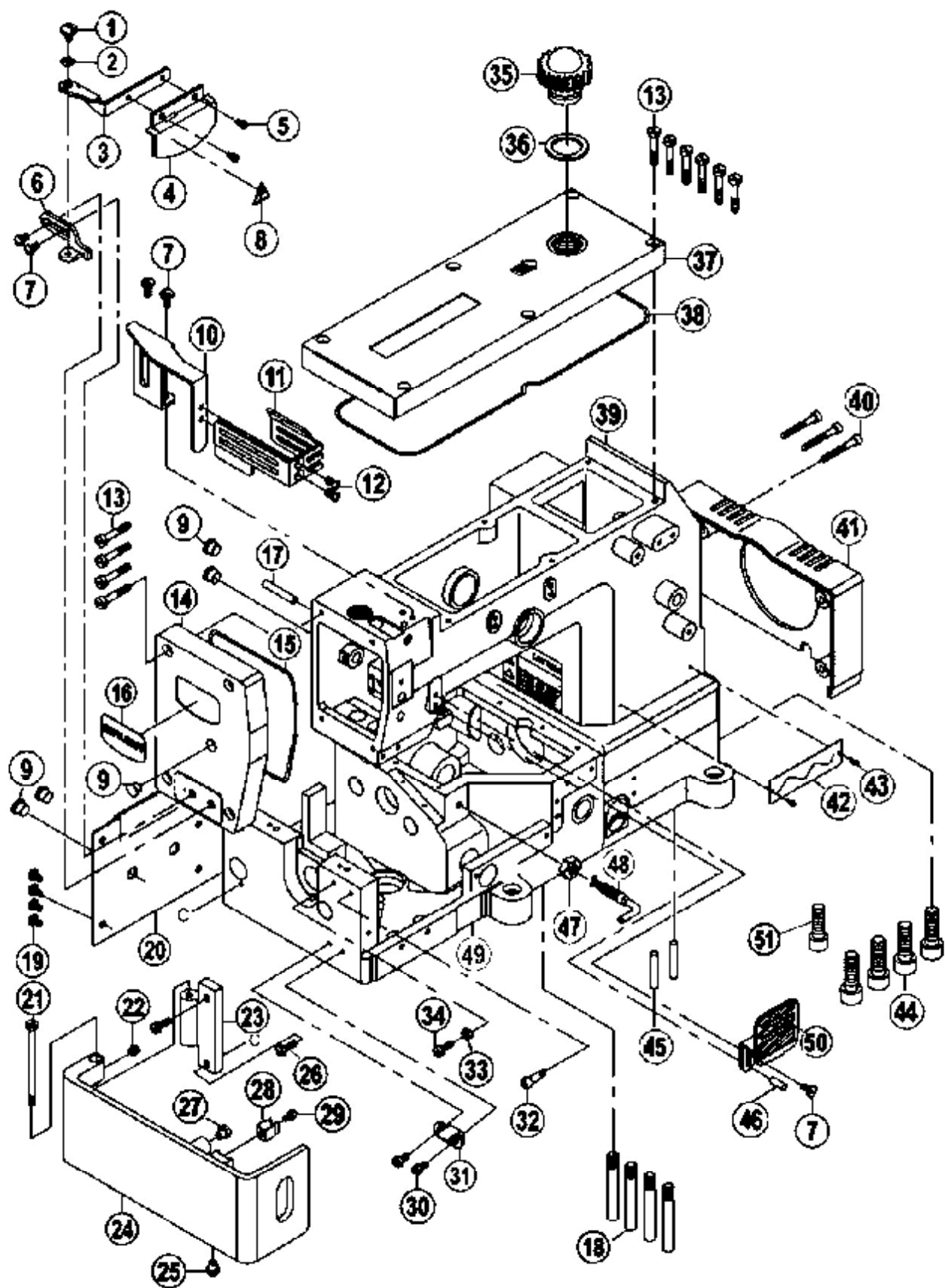
- \* 松開螺母(A)，轉工螺絲(B)，調整其適當壓力后在鎖緊螺母(A)。(圖13)
- \* 順時針調整則壓力加強，反之則減少。

Pressure of the presser Foot should be as light as possible, in case of cloth can be feeded and sewed smoothly.

- \* Loosen Nut (A), turn Screw (B) to adjust to proper pressure, then tighten nut (A). (Fig.13)
- \* Adjust clockwise to increase pressure, opposite to decrease.

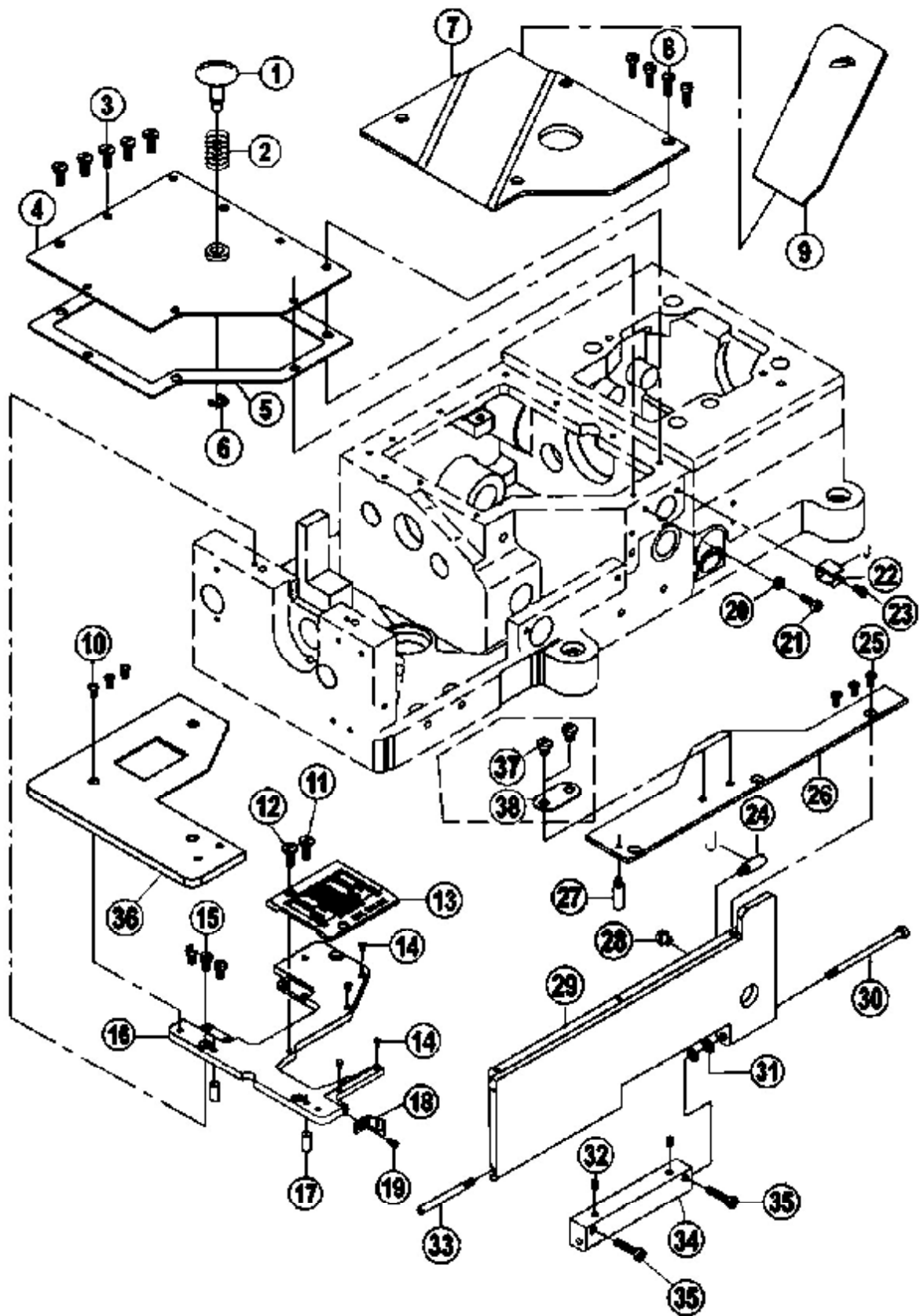






## 一、機殼部件 / Frane assemblies

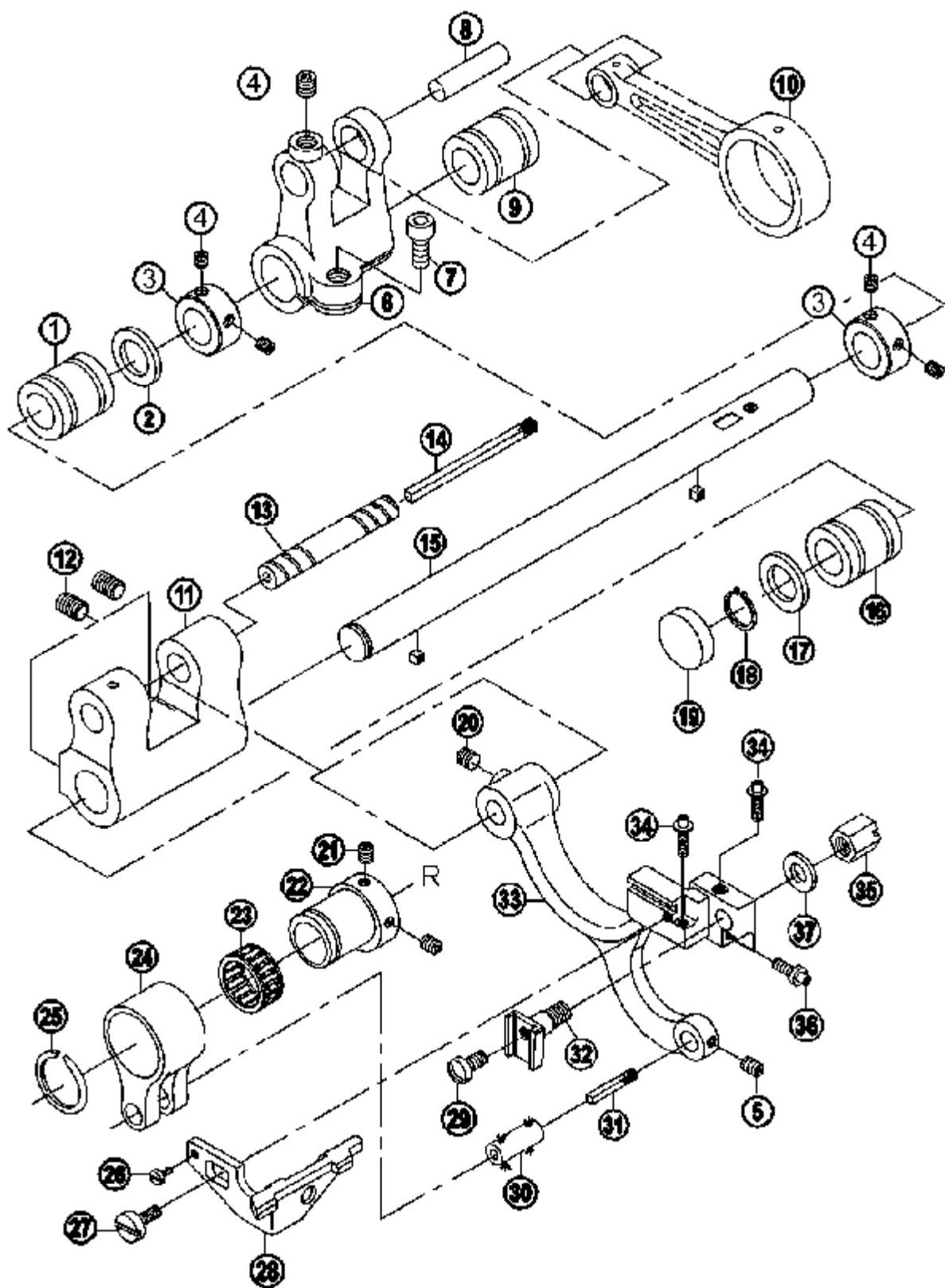
序號 NO	件號 Parts No.	參考件號 Ref.Part.No.	名稱	Description	數量/Number
					4針64
1	305S20001	SM49E	螺釘	Screw	1
2	30528001	KP60	波形墊片	Washer	1
3	30512001	MA80	防護組件	Eye Guide assy.	1
4	30511001	MA83	防護組件	Eye Guide assy.	1
5	S04016	SM132	螺釘M3.5 × 6	Screw	2
6	30512002	MA79	支架	Holder	1
7	S01057	SM438	螺釘M4 × 15	Screw	5
8	30537001	MA84	商標	Brand	1
9	30522001	KH48	橡膠件	Plug	5
10	300215	VA19P	針杆護罩(噴漆)	Needle Bar Eye Guide	1
11	300216	MA82	防護罩(噴漆)	Eye Guide	1
12	S02012	SM152	螺釘M3 × 2	Screw	2
13	S01057	SM44B	螺釘M4 × 15	Screw	4
14	300217	VA05	機頭左蓋	Left Cover	1
15	30522002	VA04	密封圈	Sticker	1
16	30337001	MA06E	商標	Brand	1
17	30526001	PM404	定位銷	Pin	1
18	305S20003	SM670	螺釘	Screw	4
19	S01010	SM431	螺釘M4 × 8	Screw	4
20	300596	HA06	擋板(噴漆)	Plate	1
21	306S20001	SM44C	螺釘	Screw	1
22	305S14001	SM401	螺釘	Screw	1
23	30601001	HA02	固定座	Root Seat	1
24	300593	HA03	下側蓋組件	Lower Cover assy	1
25	Nut	KB05	橡皮塞	Plug	1
26	S01010	SM438	螺釘M4 × 8	Screw	2
27	30622001	KB05	橡皮塞	Plug	1
28	30612002	MA19	卡扣	Screw	1
29	S01027	SM132	螺釘M3 × 6	Screw	1
30	S01010	SM433	螺釘M4 × 8	Screw	1
31	30612003	HA04	卡扣	Ka Ko	1
32	306S30001	SM488	球頭螺釘	Screw	1
33	N01001	NM410	螺母M4	Nut	1
34	S01010	SM438	螺釘M4 × 8	Screw	1
35	20111005	KC57	油窗蓋	Oil Sight Window	1
36	20122018	KC58	油封	Oil Seal	1
37	30501003	VA02	上蓋	Top Cover	1
38	30522024	VA03	油封	Oil Seal	1
39	30501004	VA08	機頭上節	Upper Machine	1
40	305S12002	SM417	螺釘	Screw	3
41	30511002	VA23	帶輪蓋	Belt Cover Assy.	1
42	30537003	VA26	商標	Brand	1
43	R03001	KA33	鏰釘2.5*4	Screw	2
44	S05036	SM910	螺釘M10 × 30	Screw	4
45	P03024	PM510	定位銷 φ 5 × 28.5	Pin	2
46	P03025	PM413	定位銷 φ 4 × 12	Pin	1
47	306S16001	NK46	螺母M6	Nut	1
48	30636001	HA16	油嘴	Tube	1
49	30601003	HA01	機殼下節	Lower Machine	1
50	30512005	VA06	防護板	Eye Guide Plate	1
51	S05007	-----	螺釘M8 × 20	Screw	1





## 二、蓋板部件 / Frane assemblies

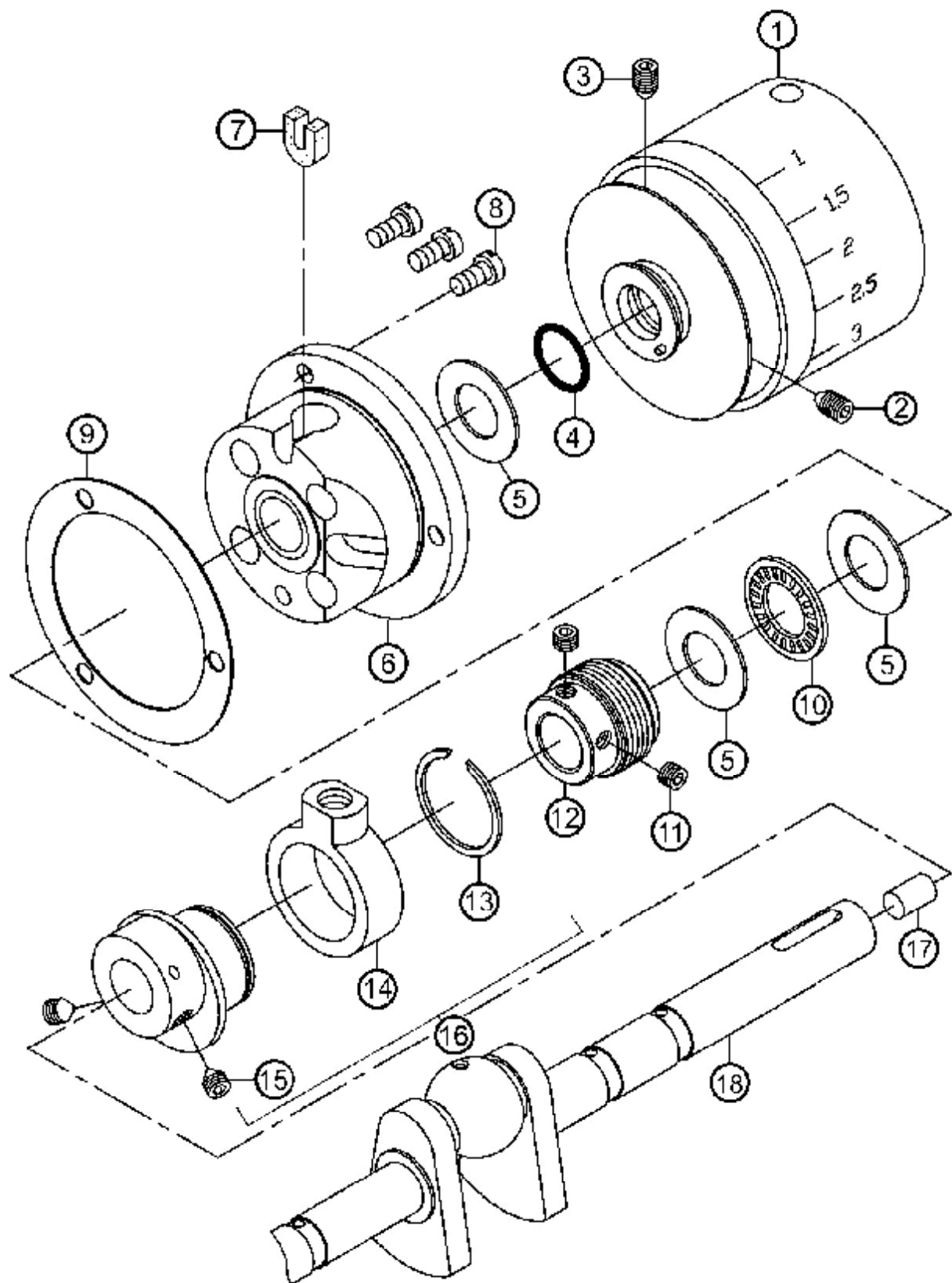
序號 NO	件號 Parts No.	參考件號 Ref.Part.No.	名稱	Description	數量/Number
					4針64
1	30502001	VB04	針距調節按鈕	Button	1
2	30527001	VB03	調節彈簧	Spring	1
3	305S11016	SM433	螺釘M4 × 10	Screw	5
4	3061200400	HA14	蓋板組件	Cover Assembly	1
5	30622002	HA13	紙墊	Washer	1
6	H05003	EM050	擋圈5	Collet	1
7	30612006	HA12	蓋板	Cover	1
8	S01003	SM438	螺釘M4 × 12	Screw	4
9	30612007	HA11	推板	Cover	1
10	S03002	SM460	螺釘M4 × 3.5	Screw	3
11	305S17001	SM162	閉槽半沉頭螺釘	Screw	1
12	305S17001	SM160	螺釘	Screw	1
13	30615001	E8 × × ×	針板	Needle Plate	1
14	30622003	KH77	減震橡皮墊	Washer	4
15	30612005	HA14	蓋板	Cover	1
16	30612008	HA07	針板墊塊	Bracket	1
17	P01006	PM502	銷5 × 10	Pin	2
18	30612009	MA47	前蓋板卡扣	Screw	1
19	306S11004	SM031	螺釘	Screw	1
20	N01001	NM410	螺母M4	Nut	1
21	S01010	SM438	螺釘M4 × 8	Screw	3
22	30612002	MA19	卡扣	Ka Ko	1
23	S01027	SM132	螺釘M3 × 6	Screw	1
24	306S30002	SM473	螺釘	Screw	1
25	306S20004	SM150	螺釘	Screw	3
26	30612010	HA08	前蓋板(噴漆)	Side Cover	1
27	306S30003	SM471	螺釘	Screw	1
28	30622001	KB05	橡皮塞	Plug	1
29	30601004	HA09	前蓋板	Cover	1
30	306S20005	SM445	螺釘	Screw	1
31	30528001	KP60	墊片	Washer	1
32	305S14001	SM404	螺釘	Screw	2
33	306S30004	SM476	螺釘	Screw	1
34	30601005	HA05	固定塊	slider	1
35	S01057	SM439	螺釘M4 × 15	Screw	2
36	300595	HA10	蓋板	Cover	1
37	S01060	SM630	螺釘M6 × 10	Screw	2
38	40128013	WM500	墊圈6.5 × 13 × 0.8	Washer	2



### 三、送料部件 / Feed assemblies

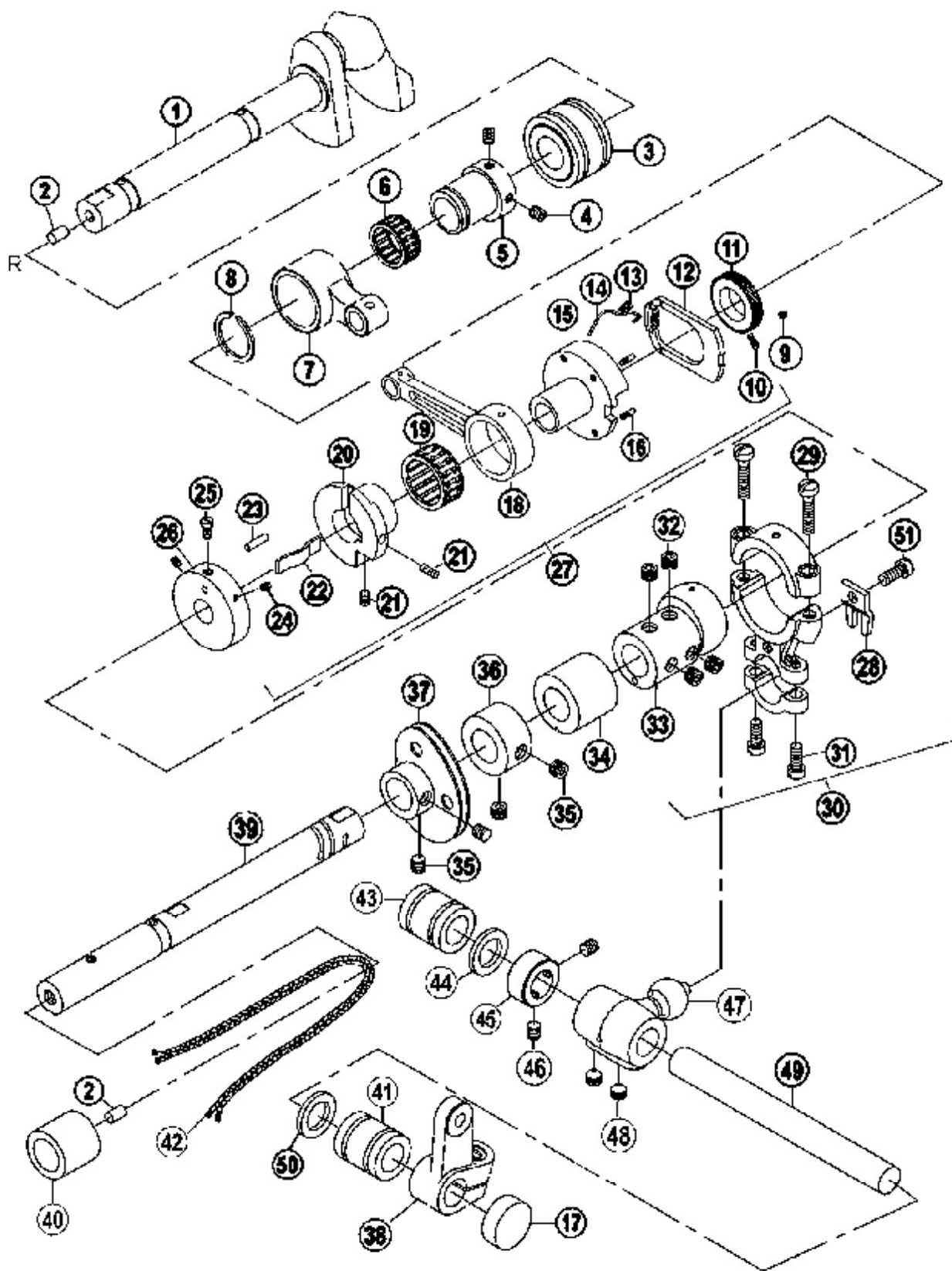
序號 NO	件號 Parts No.	參考件號 Ref.Part.No.	名稱	Description	數量/Number
					4針64
1	30503005	VC01	銅套	Bushing	4
2	20128031	CL13	墊片	Washer	1
3	30508001	MH73	擋圈	Ring	2
4	S09008	SM502	螺釘M5 × 5	Screw	4
5	305S14003	SM184	螺釘	Screw	1
6	30604001	MH56E	曲柄	Crank	1
7	305S13005	SM612	螺釘M6 × 0.75 × 15	Screw	1
8	30626001	MH60	銷子	Pin	1
9	30503002	VC09	銅套	Bushing	1
10	30605003	HD05	連杆	Link	1
11	30604002	HC02	曲柄	Crank	1
12	305S14007	SM600	螺釘M6 × 8	Screw	2
13	30626002	HC05	銷子	pin	1
14	30123015	HC05-1	油綫	Oil Wick	1
15	30602001	HC04	送料軸	Shaft	4
16	30503005	VC01	銅套	Bushing	1
17	20128031	KR14	墊片	Washer	1
18	H04001	EM123	擋圈12	Ring	1
19	30622007	VC16	油封	Oil Seal	1
20	201S14002	SM502	螺釘M5 × 5	Screw	1
21	201S14002	SK270-2	螺釘	Screw	1
22	30510001	VC25	偏心凸輪	Eccent	1
23	30524001	VC24	軸承	Bearing	1
24	30605001	HE02	連杆	Eccent	1
25	30508004	VC23	卡簧	Spring	1
26	306S15001	SK219	螺釘	Screw	1
27	306S11001	SK573	一字螺釘	Screw	2
28	30617001	HC15	護針	Needle Guard	1
29	306S10001	SK257	螺釘	Screw	1
30	30526008	VE02	銷子	Pin	4
31	30123015	VC11	油綫	Oil Wick	1
32	30609003	HC12	牙齒連接槽	Slider	2
33	30606001	HC11	牙架	Feed	1
34	306S30005	SK571	螺釘	Screw	2
35	306S16004	NM613	一字六角螺母	Nut	1
36	306S30006	SK570	螺釘	Screw	1
37	41228024	WM600	墊片	Washer	1





#### 四、主軸部件 / Crankshaft Drive assemblies

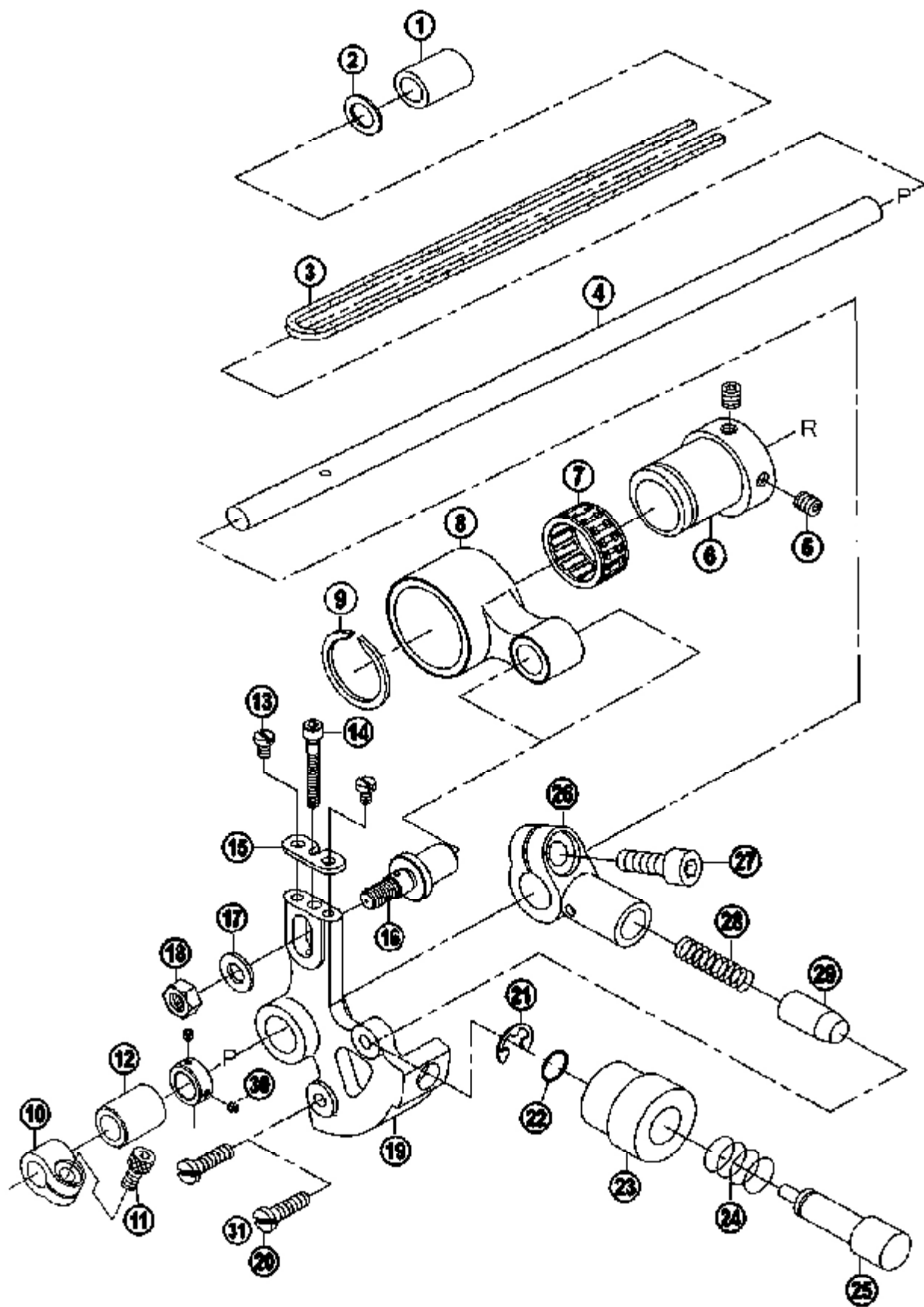
序 號 NO	件 號 Parts No.	參 考 件 號 Ref.Part.No.	名 稱	Description	數量/Number
					4針64
1	30535001	VD01	皮帶輪	Machine Pulley	1
2	S09007	SM603	螺釘M6 × 8	Screw	1
3	S09007	SM604	螺釘M6 × 8	Screw	1
4	30522020	MD25	油封	Oil Seal	1
5	30528003	VD03-2	墊片	Washer	3
6	3050300600	VD02	軸承蓋	Bearing Cover	1
7	30523006	VD02-2	油棉	Felt	1
8	S01011	SM532	螺釘M5 × 10	Screw	3
9	30522008	VD05	紙墊	Washer	1
10	30524002	VD03-1	平面滾針軸承	Bearing	1
11	S09010	SM602	螺釘M6 × 5	Screw	2
12	30525001	VD04	蠟杆	Needle bar	1
13	30508008	VCL03	卡簧	Spring	1
14	3051001100	VCL02D	連杆組件	Rod Assembly	1
15	S09002	SM606	螺釘	Screw	5
16	3051001100	-----	偏心輪組件	Eccent Assembly	1
17	30526004	VD07-1	鉛堵頭	Pin	1
18	30602002	HD13	主軸	Shaft	1





## 五、前主軸部件 / Shaft assemblies

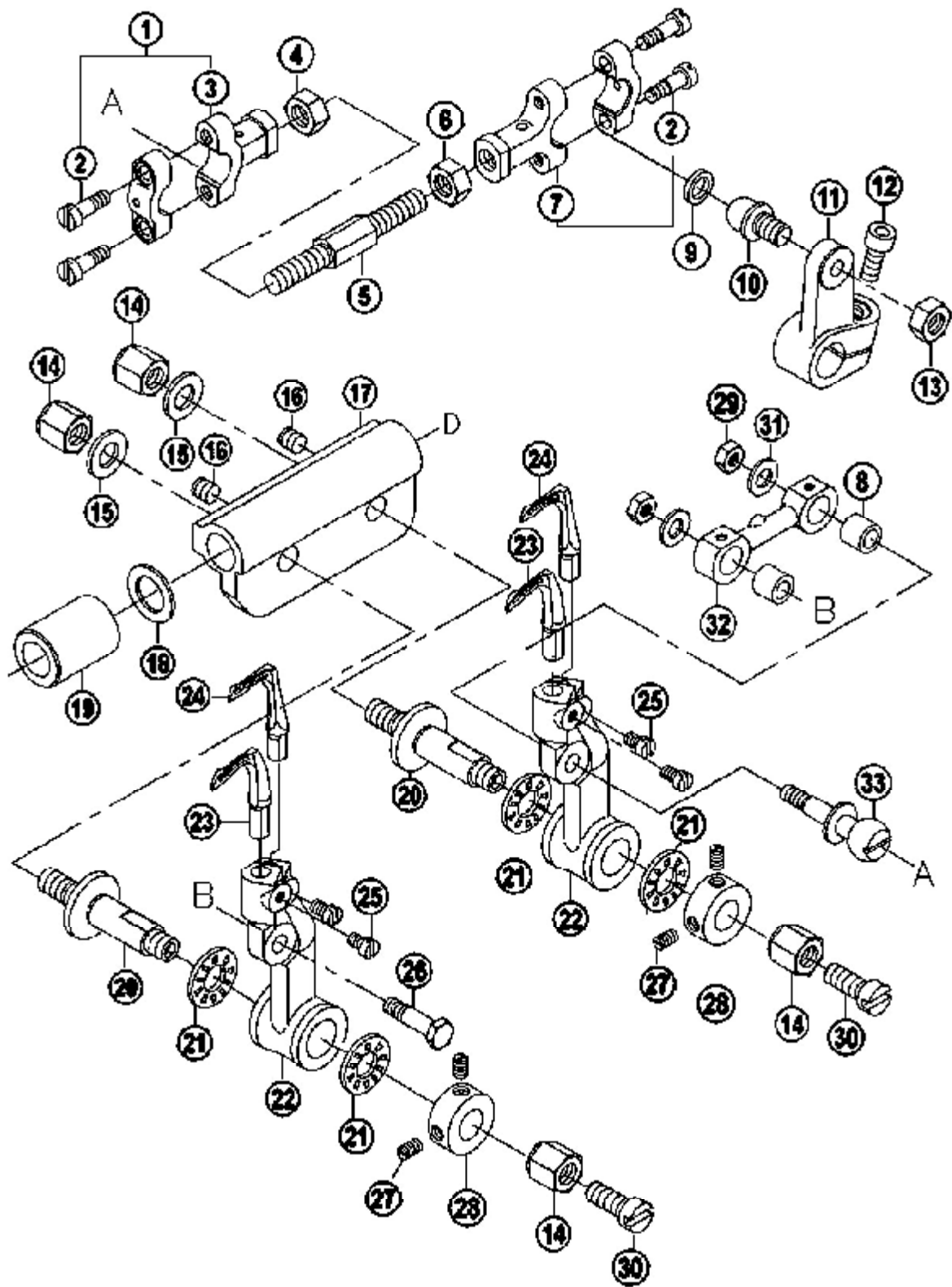
序號 NO	件號 Parts No.	參考件號 Ref.Part.No.	名稱	Description	數量/Number
					4針64
1	30602002	HD13	主軸	Shaft	1
2	30526004	VD07-1	鉛堵頭	Pin	2
3	30603004	HD16	銅套	Bushing	1
4	201S14002	SK270	螺釘	Screw	2
5	30510001	VC25	偏心凸輪	Eccent	1
6	30524001	VC24	軸承	Bushing	1
7	30605002	HE19	連杆	Link	1
8	30508004	VC23	卡簧	Spring	1
9	305S14009	-----	螺釘 SM9/64 × 40	Screw	1
10	305S14010	-----	螺釘 SM9/64 × 40	Screw	1
11	30525015	VD46	齒輪	Gear Wheel	1
12	30509020	KP74	針距調節滑塊	Ratchet	1
13	S01024	-----	送布組件彈簧螺釘M3	Screw	1
14	30527011	-----	送布組件上彈簧	Spring	1
15	30510018	VD43	針距凸輪	Cam	1
16	S07001	-----	螺釘 M3 × 8.2	Screw	2
17	30522011	NQ21	油封	Oil Seal	1
18	30605003	HD05	連杆	Link	1
19	30524005	-----	滾針軸承	Bearing	1
20	30510017	VD44	送布凸輪	Cam	1
21	305S15	SK817	螺釘	Screw	2
22	30508010	-----	送布凸輪簧	Spring	1
23	30526030	KP18-1	銷子	Pin	1
24	305S14001	-----	螺釘 SM11/64 × 40	Screw	2
25	305S11020	SM107	螺釘	Screw	1
26	30510016	VD47	送布固定輪	Deliver Wheel	1
27	3060900500	-----	送布組件	Cam	1
28	30609002	VF22E	定位導向叉	Washer	1
29	S01011	SK278	螺釘M5 × 10	Screw	2
30	3060500800	-----	曲柄球組件	Crank Assembly	1
31	305S11006	SK277	螺釘	Screw	2
32	S09010	SM602	螺釘M6 × 5	Screw	4
33	30603005	HD12	曲柄球	Crank	1
34	30503010	HD17	銅套	Bushing	1
35	S10014	SM501	螺釘M5 × 4	Screw	2
36	30508007	VCL11	擋圈	Ring	1
37	3061300100	HD07	打綫凸輪組件	Cam Assembly	1
38	30604006	HE13	曲柄	Crank	1
39	30602003	HD01	前主軸	Shaft	1
40	30603006	HD15	銅套	Bushing	1
41	30503005	VC01	銅套	Bushing	1
42	30123015	HD01-1	油綫	Oil Wick	1
43	30503005	VC01	銅套	Bushing	1
44	20128031	CL13	墊片	Washer	1
45	30508001	MH73	擋圈	Ring	1
46	S10014	SM502	螺釘M5 × 4	Screw	2
47	30604003	HD14	曲柄球	Crank	1
48	305S14006	SM601	螺釘M6 × 9	Screw	2
49	30602004	HD20	下橫軸	Shaft	1
50	20128031	CL13	墊片	washer	1
51	306S11005	SK438	螺絲	Screw	1



## 六、彎針軸部件 / Looper shaft assemblies

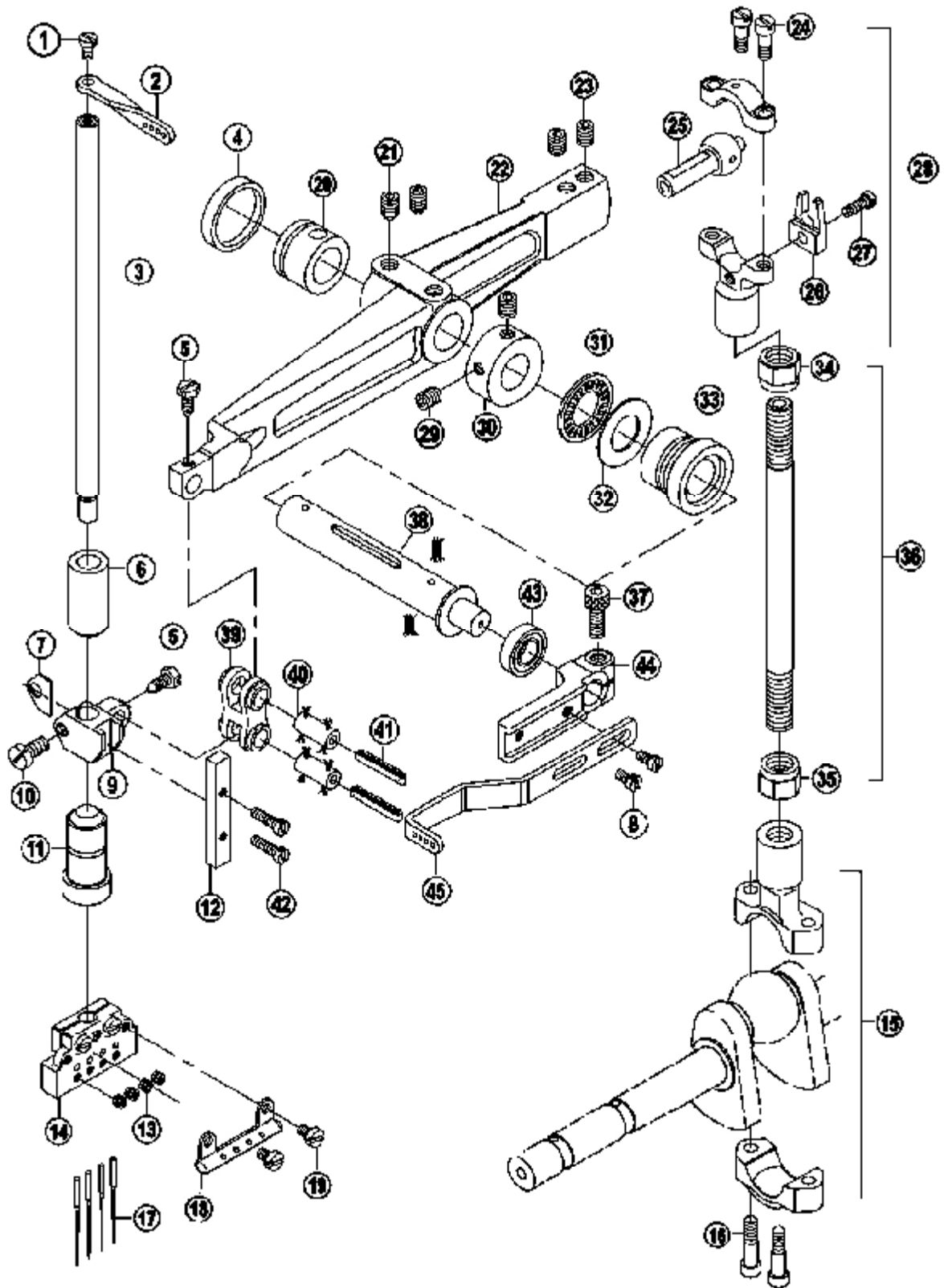
序號 NO	件號 Parts No.	參考件號 Ref.Part.No.	名稱	Description	數量/Number
					4針64
1	30603007	HE23	套筒	Bushing	1
2	20128010	KL11	墊片	Washer	1
3	30123015	HE14-2	油綫	Oil wick	1
4	30602005	HE14	彎針軸	Shaft	1
5	201S14002	SK270-2	螺釘	Screw	2
6	30510001	VC25	偏心凸輪	Eccent	1
7	30524001	VC24	軸承	Bushing	2
8	30605002	HE19	連杆	Link	1
9	30508004	VC23	卡簧	Spring	1
10	30608004	HE25	擋圈	Ring	1
11	S05004	SM511	螺釘M5 × 14	Screw	1
12	30503013	VE03	銅套	Bushing	1
13	S01063	SM032	螺釘M2.5 × 6	Screw	1
14	306S30008	SM080	螺釘	Screw	1
15	30612012	ME06	連杆	Link	1
16	306S30007	ME18	銷子	Pin	2
17	W01004	WM500	墊圈5	Washer	1
18	N01002	NM511	螺母	Nut	1
19	30604004	HE01	連杆	Link	1
20	S01030	SM140	螺釘M3.5 × 9.7	Screw	2
21	H05003	EM050	墊圈5	Washer	1
22	O01016	VMR06	O形圈6*1.8	Washer	1
23	30603008	HE17	螺釘	Screw	1
24	30627001	HE16	密封圈	Washer	1
25	30626004	HE18	連杆	Link	1
26	30604005	HE03	曲柄	Crank	1
27	S05004	SM511	螺釘M5 × 14	Screw	1
28	30627002	HE04	彈簧	Spring	1
29	30626005	HE05	錐銷	Pin	2
30	S09004	SK216	螺釘M3 × 3	Screw	1
31	30608003	MH74	擋圈	Ring	1





## 七、下彎針部件 / Lower looper assemblies

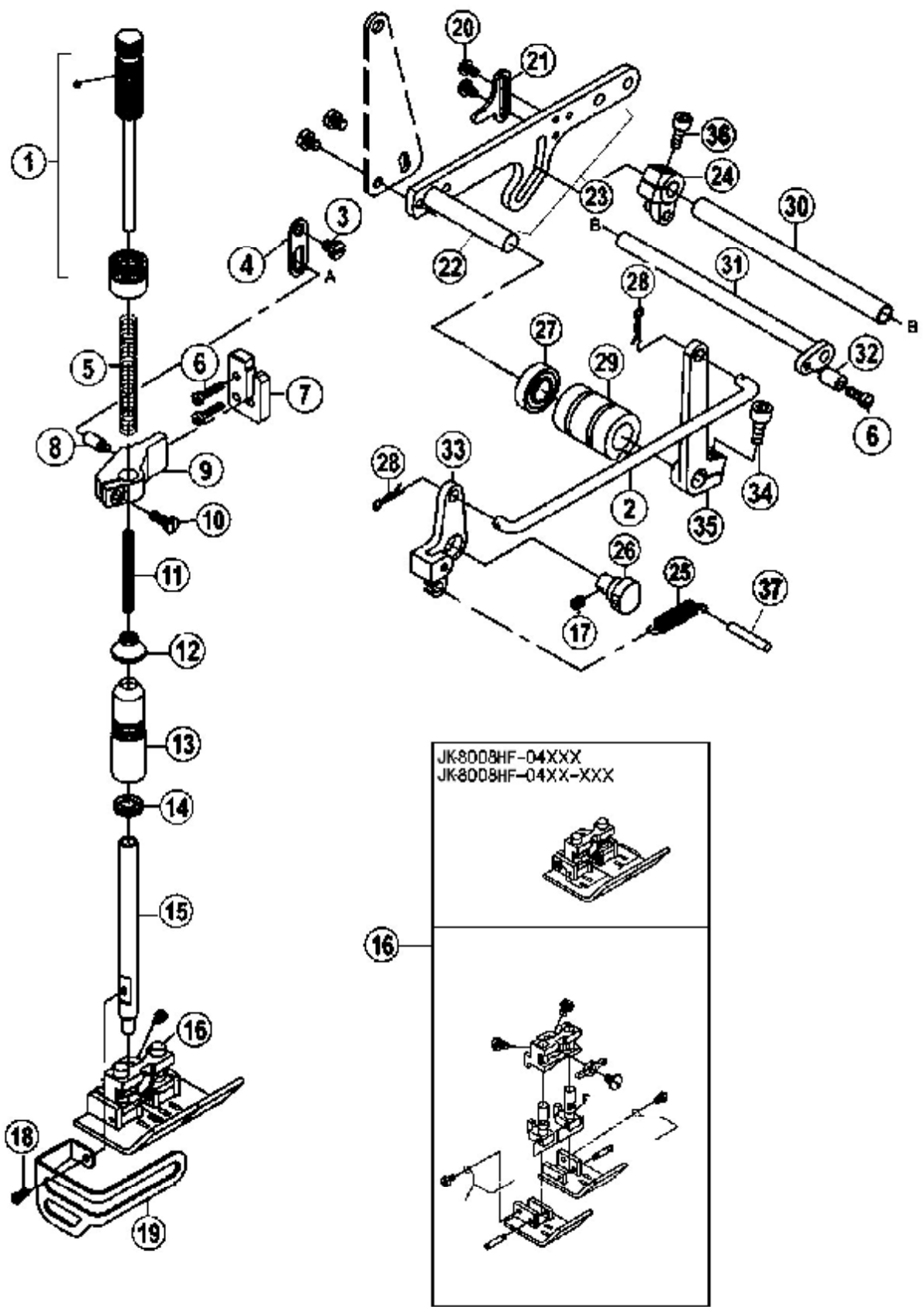
序號 NO	件號 Parts No.	參考件號 Ref.Part.No.	名稱	Description	數量/Number
					4針64
1	3060501500		小連杆組件	Link Assy.	1
2	306S20007	SM139	螺釘	Screw	4
3	30605009	HE27	小連杆	Link	1
4	N01007	NM612	螺母M6	Nut	1
5	306S30010	IIE11	連杆螺杆	Screw	1
6	306S16002	NM610	螺母(左)	Nut	1
7	30605012	HE37	連杆組件	Link Assy.	1
8	30603010	KQ34	軸套	Bushing	2
9	306S20008	VMR06	墊片	Washer	1
10	306S30011	HE12	球形連接螺柱	Screw	1
11	30604006	HE13	曲柄	Crank	1
12	S05037	SM612	螺釘M6 × 15	Screw	1
13	305S16007	NM611	螺母M6	Nut	1
14	306S16003	NM602	六角螺母	Nut	4
15	41228024	WM810	墊片	Washer	2
16	305S14007	SM601	螺釘M6 × 8	Screw	2
17	30605013	HE06	彎針架座	Rivet Seat	1
18	20128010	KL11	墊片	Washer	1
19	30603009	HE20	套筒	Bushing	1
20	306S30012	ZD18	彎針架螺釘	Screw	2
21	30626006	WM600	平面滾針	Bearing	4
22	30604007	HE07	彎針架	Looper Holder	2
23	30617003	HE22	前彎針	looper	2
24	30617002	HE21	后彎針	looper	2
25	S01008	SM131	螺釘M3.5 × 13	Screw	4
26	306S11003	SK254	外六角頭螺釘	Screw	1
27	201S14002	SK270	螺釘	Screw	4
28	30608005	ZD20	擋圈	Ring	2
29	301S16002	NK29	螺母	Nut	2
30	S01028	SM134	螺釘M3.5 × 5.7	Screw	2
31	W01004	WM500	墊圈5	Washer	2
32	30605014	HE08	彎針連杆	Looper Link	1
33	306S30009	HE10	球型連接螺柱	Screw	1





## 八、針杆部件 / Needle bar assemblies

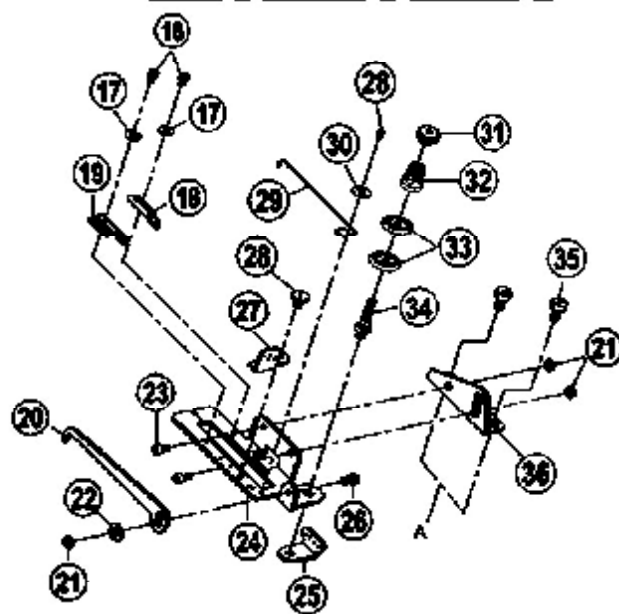
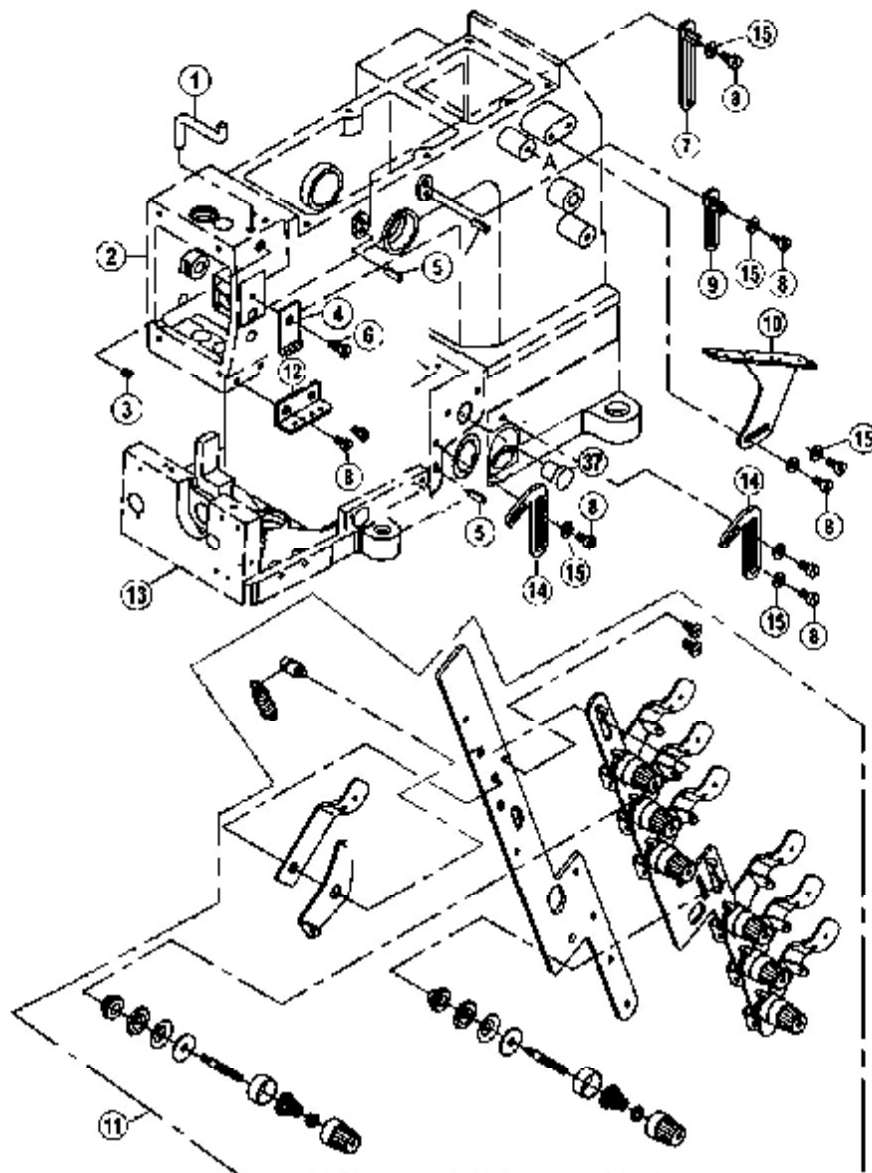
序號 NO	件號 Parts No.	參考件號 Ref.Part.No.	名稱	Description	數量/Number
					4針64
1	S01005	SM132	螺釘M4 × 10	Screw	1
2	30513003	VF19	過綫	Thread guide	1
3	30502011	VF12D	針杆	Needle bar	1
4	3052201200	VF07	油封	Oil Seal	1
5	305S12004	SM184	螺釘	Screw	2
6	30503021	VF13	銅套	Bushing	1
7	30512027	WM130	墊片	Washer	1
8	305S11016	SM431	螺釘M4 × 6	Screw	2
9	30509006	VF09	針杆滑塊	Needle slider	1
10	S01011	SM532	螺釘M5 × 10	Screw	1
11	30503022	VF14	銅套	Bushing	1
12	30509007	VF11D	固定條	Rivet	1
13	305S14002	SK216	螺釘	Screw	4
14	30634001	M8XXX	針夾頭	Needle Holer Assy.	1
15	3050402500	VD07	曲柄組件	Crank Assembly	1
16	305S20008	SK490	螺釘	Screw	2
17	30617004	UY128GAS	機針	Needle	4
18	30613003	M9XX4-1	針夾頭過綫	Thread guide	1
19	305S11005	SK239	螺釘	Screw	2
20	30503023	VF06	銅套	Bushing	1
21	305S14006	SM601	螺釘M6 × 9	Screw	2
22	30505009	VF01	大扛杆	Lever	1
23	S09007	SM600	螺釘M6 × 8	Screw	2
24	305S20007	SK491	螺釘	Screw	2
25	30526011	VF16	曲柄球	Crank	1
26	30512028	VF22	止震板	Cover	1
27	305S11006	SK277	螺釘	Screw	1
28	3050402400	-----	曲柄球組件	Crank Assembly	1
29	S09008	SM502	螺釘M5 × 5	Screw	2
30	30508006	VF05	擋圈	Ring	1
31	30524002	VD03-1	平面滾針軸承	Bearing	1
32	30528003	VF04	墊片	Washer	2
33	30503024	VF03	銅套	Bushing	1
34	305S16002	NK54	螺母	Nut	1
35	305S16003	NK53	螺母	Nut	1
36	3050203000	-----	傳送杆組件	Connection assembly	1
37	S05004	SM511	螺釘M5 × 14	Screw	1
38	30502013	VF02	上橫軸	Shaft	1
39	30505012	VF08	四眼	Crank	1
40	30526008	VF10	銷子	Pin	2
41	30123015	VC11	油綫	Oil Seal	2
42	S01007	SM438	螺釘M4 × 13.5	Screw	2
43	20622019	-----	油封	Oil wick	1
44	30509010	VF17	過綫固定座	Thread Guide Rivet Seat	1
45	30513005	HK18	過綫	Thread guide	1



## 九、壓腳部件 / Presser foot assemblies

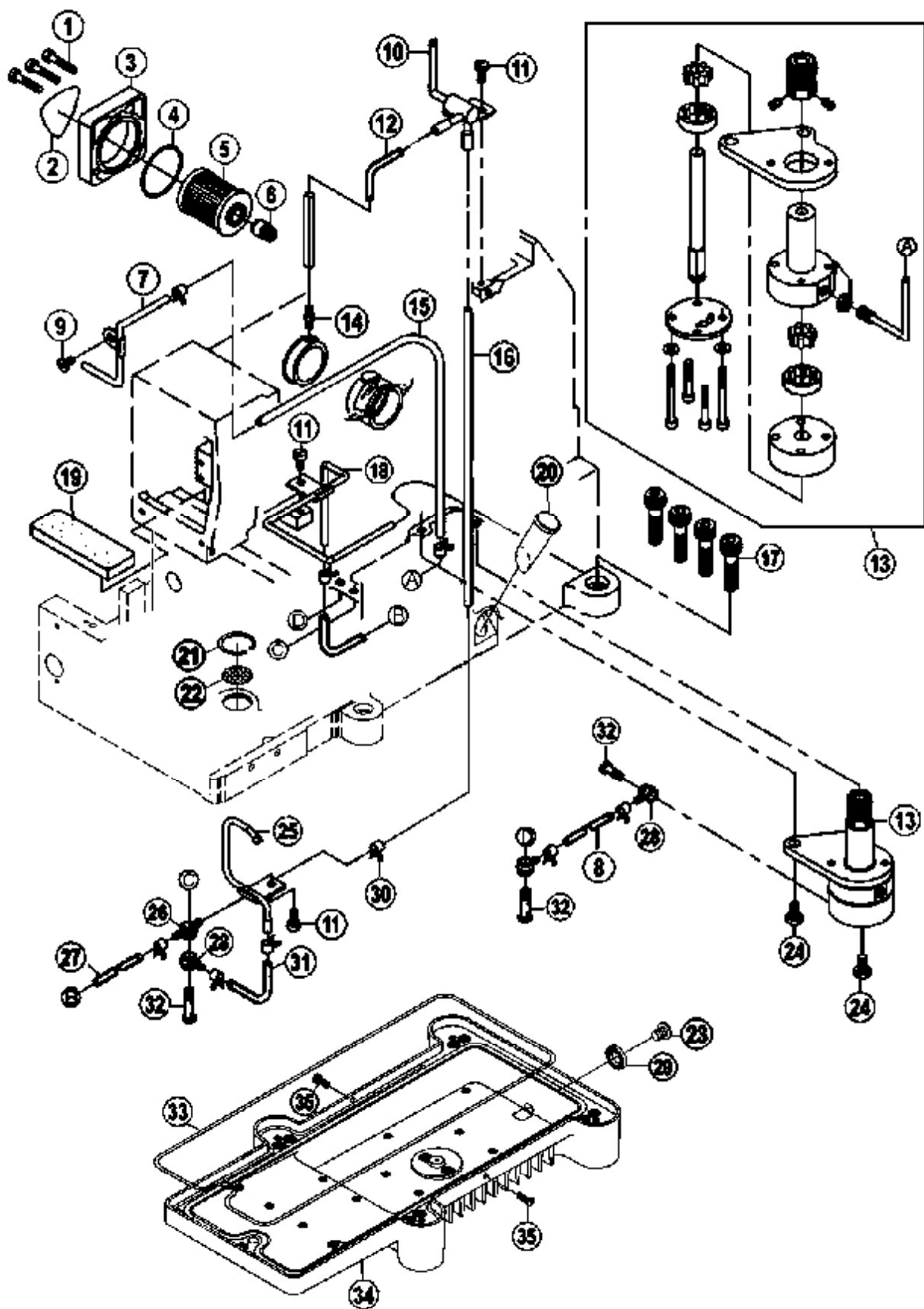
序 號 NO	件 號 Parts No.	參考件號 Ref.Part.No.	名 稱	Description	數量/Number
					4針64
1	3050203200	-----	壓腳調節杆組件	Adjusting Bar Assy	1
2	30512035	VJ09	連接杆	Link	1
3	305S20009	SK518	螺釘	Screw	1
4	30512029	VJ13	壓板	Bracket	1
3	305S16004	MJ02	螺母	Nut	1
5	30527007	MJ03	彈簧	Spring	1
6	S01005	SM438	螺釘M4 × 10	Screw	2
7	30509011	VJ20	滑槽	Slider	1
8	305S11007	SK502	螺釘	Screw	1
9	30509012	VJ07	滑塊	Slider	1
10	305S11001	SK265	螺釘	Screw	1
11	30527008	MJ12	彈簧	Spring	1
12	30522014	MJ23	油封	Oil Seal	1
13	30503025	VJ21	銅套	Bushing	1
14	3052201500	MJ17	油封	Oil Seal	1
15	30502015	VJ18	壓腳軸	Shaft	1
16	30616001	F8XXXX	壓腳	presser foot assy	1
17	S09008	SM502	螺釘M5 × 5	Screw	1
18	S01027	SM332	螺釘M3 × 6	Screw	1
19	30512031	VJ23	壓板	Bracket	1
20	305S11016	SM431	螺釘M4 × 6	Screw	2
21	30512030	VJ03	壓板	Bracket	1
22	30526013	VJ05-1	杠杆軸	Shaft	1
23	3051203200	VJ05-2	杠杆組件	Lever Assembly	1
24	30504011	VJ04	緊固座	Tighten	1
25	30527010	VJ14	彈簧	Spring	1
26	30526014	VJ12D	銷子	Pin	1
27	3052201700	KL20	油封	Oil Seal	1
28	30527009	VJ10	開口銷	Pin	1
29	30503026	VJ06D	銅套	Bushing	1
30	30502016	VJ02	松線管	Thread Guide	1
31	3050201700	VJ01	松線軸	Shaft	1
32	30510006	VJ01-3	偏心套	Eccent Bushing	1
33	30512036	VJ11D	曲柄	Crank	1
34	305S13005	SM612	螺釘M6 × 15	Screw	1
35	30504012	VJ08	曲柄	Crank	1
36	S05004	SM534	螺釘M5 × 14	Screw	1
37	30526001	PM404	定位銷	Pin	1





## 十、夾綫器部件 / Tension spring assemblies

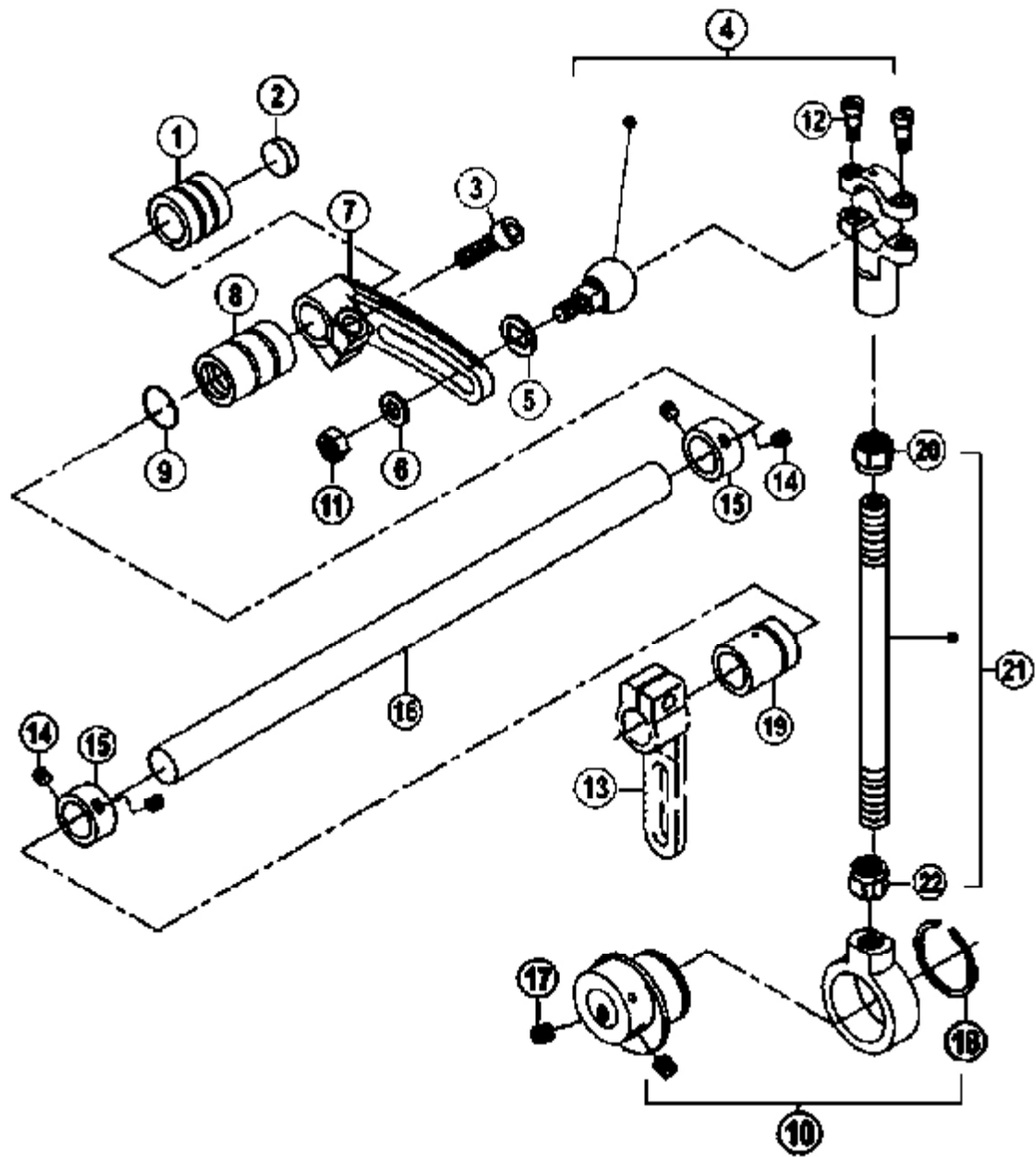
序號 NO	件號 Parts No.	參考件號 Ref.Part.No.	名稱	Description	數量/Number
					4針64
1	30512038	VK13	擋綫架	Bracket	1
2	30501004	VA08	機殼上節	Upper Macine	1
3	S09012	SM404	螺釘M4 × 5	Screw	1
4	30513009	VK15	過綫	Thread Guide	1
5	P03025	PM413	銷4 × 12	Pin	1
6	S02003	SM450	螺釘M4 × 5	Screw	1
7	30513010	VK18	過綫	Thread Guide	1
8	305S11016	SM431	螺釘M4 × 10	Screw	9
9	30513012	VK11	過綫	Thread Guide	1
10	30513011	VK22	過綫	Thread Guide	1
11	3063100200	-----	夾綫器組件	Tension Spring Assy	1
12	30513013	VK17	過綫	Thread Guide	9
13	30501005	VA01	機殼下節	Lower Macine	1
14	30613004	HK09	過綫	Thread Guide	2
15	20612062	MW400	墊圈	Washer	7
16	306S11004	SM031	螺釘	Screw	2
17	30628001	WM002	墊圈	Washer	1
18	30613006	HK05	右過綫板	Bracket	1
19	30613005	HK06	左過綫板	Bracket	1
20	30612013	HK03	壓綫調節板	Bracket	1
21	N01001	NM410	螺母M4	Nut	3
22	20612062	WM400	墊圈	Washer	1
23	S01010	SM431	螺釘M4 × 8	Screw	2
24	30612014	HK01	打綫支架	Bracket	2
25	30613008	HK08	過綫	Thread Guide	1
26	S01010	SM432	螺釘M4 × 8	Screw	1
27	30613007	HK07	過綫	Thread Guide	1
28	S01028	SM131	螺釘M3.5 × 5.7	Screw	2
29	30612015	HK02	壓綫簧	Spring	1
30	20612062	WM100	墊圈	Washer	1
31	30608007	KN44	擋圈	Ring	1
32	30627004	KN43	夾綫彈簧	Spring	1
33	30612019	KN42	夾綫盤	Reservoir Assy	2
34	30602007	KN40	夾綫軸	Shaft	2
35	S01010	SM432	螺釘M4 × 8	Screw	2
36	30612016	HK04	調節板	Bracket	1
37	30622004	MB14	橡皮塞	Plug	1



## 十一、油泵部件 / Pump assemblies

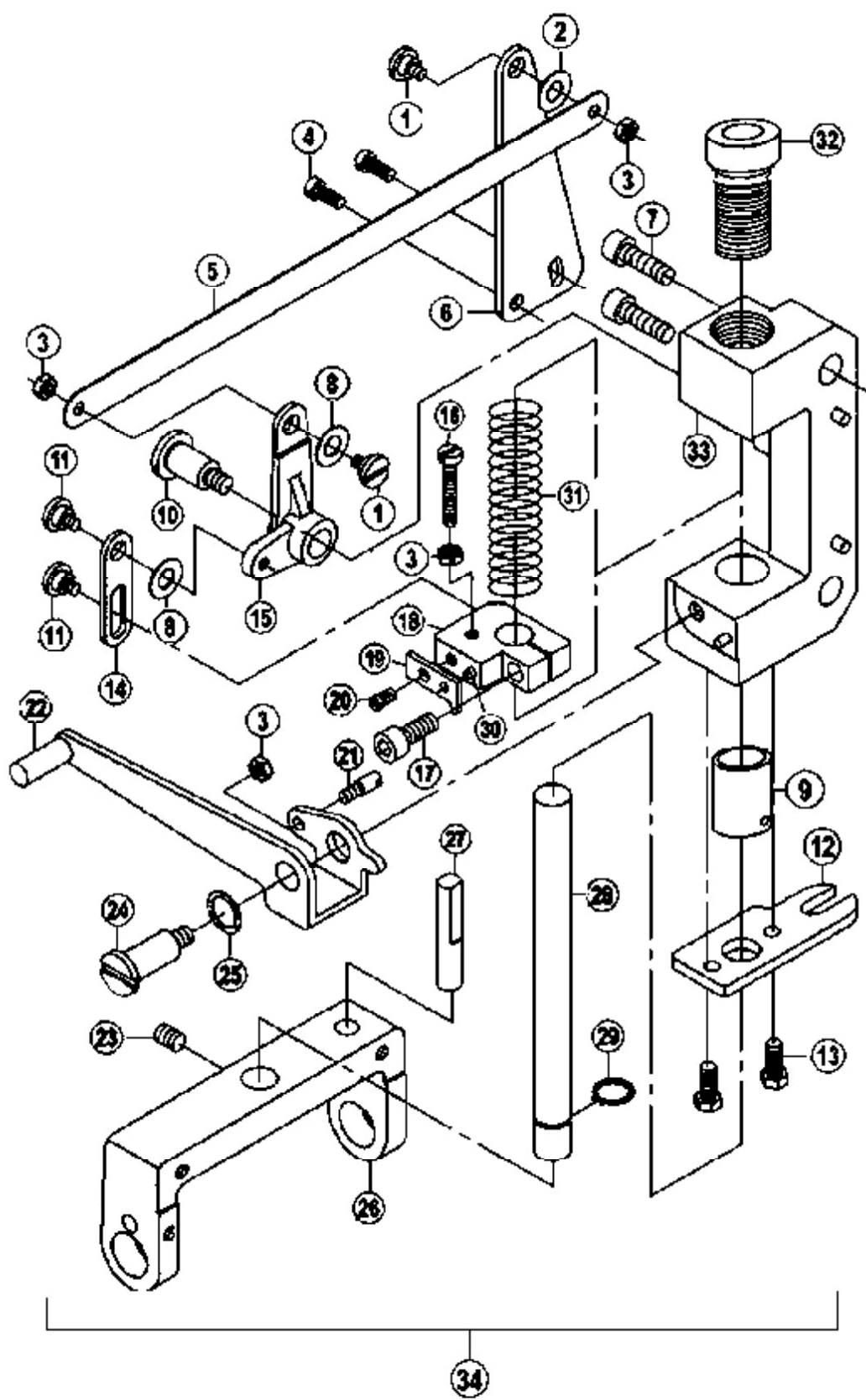
序號 NO	件號 Parts No.	參考件號 Ref.Part.No.	名稱	Description	數量/Number
					4針64
1	S01057	SM447	螺釘 M4 × 15	Screw	3
2	20337005	KT18	商標	Brand	1
3	20301005	KT16	濾清器蓋	Cover	1
4	20322004	KT17	密封圈	sticker	1
5	20136001	KT14	濾清器	Filter Element	1
6	30503027	ML50	銅接頭	pipe	1
7	30521012	VL14	油管	Tube	1
8	30112021	VL19	油管	Tube	1
9	305S11016	SM431	螺釘 M4 × 0.7 × 6	Screw	1
10	30521013	VL11	油管	Tube	1
11	305S11016	SM435	螺釘 M4 × 0.7 × 6	Screw	3
12	30121022	VL16	油管	Tube	1
13	3052000100	ML01	油泵	Pump	1
14	30536001	VL12	油管接頭	Joint	1
15	30121022	VL15	油管	Tube	1
16	30121022	VL17	油管	Tube	1
17	305S13003	SM812	螺釘 M8 × 25	Screw	4
18	3052101300	VL07	油管組件	Tube Assemblby	1
19	30523010	VL13	油棉	Felt	1
20	30511004	VL06D	油窗	Oil Window	1
21	H01005	EM164	卡簧	Spring	1
22	30512040	MB15	濾網	filter	1
23	305S11010	SK310	放油螺釘 SM3/8 × 28	Screw	1
24	305S13004	SM611	螺釘 M6 × 14.8	Screw	2
25	3052101200	VL21	油管組件	Tube Assemblby	1
26	30136004	MW05	油管接頭	Joint	1
27	30121022	VL20	油管	Tube	1
28	30136001	KT24	接頭	Joint	3
29	20528014	KT56	放油螺釘密封圈	sticker	1
30	20129002	KT26*11	卡口	Ring	9
31	30121022	VL20	油管	Tube	1
32	301S30013	SK304	螺釘 SM1/4 × 40	Screw	2
33	30622005	HL02	油盤油封	Oil Seal	1
34	30601006	HL01	油盤	Oil Reservoir Assy	1
35	S01058	-----	螺釘 M3.5 × 4	Screw	2





## 十二、傳送部件 / Transmission assemblies

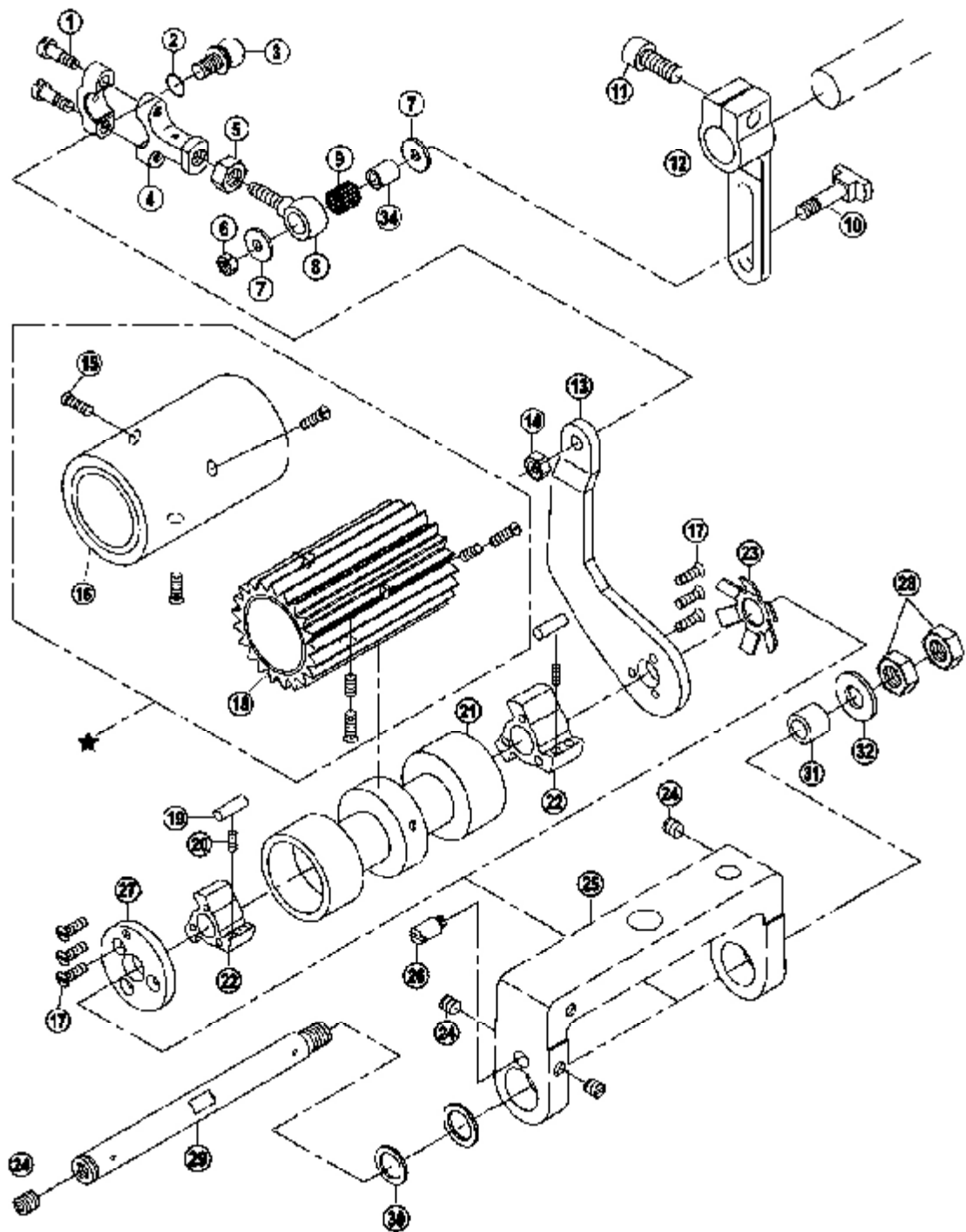
序號 NO	件號 Parts No.	參考件號 Ref.Part.No.	名稱	Description	數量/Number
					4針64
1	30503028	VCL07	銅套	Bushing	1
2	30522019	CL14	油封	Oil Seal	1
3	S05037	SM617	螺釘M6 × 15	Screw	1
4	3050203100	-----	曲柄球組件	Crank Assembly	1
5	30512045	VCL05-1	墊片	Washer	1
6	40228017	WM600	墊圈6	Washer	1
7	30504013	VCL06	曲柄	Crank	1
8	30503029	VCL09	銅套	Bushing	1
9	30522020	VCL10	油封	Oil Seal	1
10	305100100	CVL02D	連杆組件	Link assy	1
11	305S16007	NM611	螺母M6	Nut	1
12	305S20007	SK491	螺釘	Screw	2
13	30504015	VCL14	曲柄	Crank	1
14	S10014	SM501	螺釘M5 × 4	Screw	4
15	30508007	VCL11	擋圈	Ring	2
16	30502020	VCL12	后拖輪傳送軸	Shaft	1
17	S09002	SM603	螺釘M6 × 6	Screw	2
18	30508009	VCL03	卡簧	Spring	1
19	30503030	VCL13	銅套	Bushing	1
20	305S16002	NK54	螺帽	Nut	1
21	3050203100	-----	連杆組件	Link assy	1
22	305S16003	NK53	螺帽	Nut	1



### 十三、后凸輪架部件 / After Cam Fight assemblies

序 號 NO	件 號 Parts No.	參 考 件 號 Ref.Part.No.	名 稱	Description	數量/Number
					4針64
1	305S20010	SM491	螺釘	Screw	1
2	30528011	CL31	墊片	Washer	1
3	N01001	NM410	螺母	Nut	1
4	S01065	SM531	螺釘 M5 × 6	Screw	2
5	30512047	VCL25	鐵皮連杆	Sheet Iron Link	1
6	30512048	VCL35	壓板	Bracket	1
7	S05031	SM614	螺釘 M6 × 20	Screw	2
8	30528011	CL31	墊片	Washer	1
9	30503031	CL26	銅套	bushing	1
10	305S20011	SM681	螺釘	Screw	1
11	305S20012	SM492	螺釘	Screw	1
12	3051205100	CL33	調節板	Regulator Plate	1
13	L02012	SM520	螺釘	Screw	2
14	30512049	VCL23	壓板	Bracket	1
15	30504014	VCL24	曲柄	Crank	1
16	S01018	SM440	螺釘 M4 × 20	Screw	1
17	S05031	SM617	螺釘 M6 × 20	Screw	1
18	30509013	VCL22	彈簧擋板	Spring Plate	1
19	30512050	VCL34	壓板	Bracket	1
20	S01055	SM448	螺釘 M4 × 6	Screw	1
21	305S11011	SM472	螺釘	Screw	1
22	3051205100	CL33	調節板	Regulator Plate	1
23	S09007	SM603	螺釘 M6 × 8	Screw	1
24	305S20013	SM682	螺釘	Screw	1
25	30528012	CL34	壓板	Bracket	1
26	3050100800	VCL18	壓輪架	Press Wheel Fight	1
27	30526020	VCL19	銷子	Pin	1
28	30502022	VCL30	軸	Shaft	1
29	H04001	EM123	卡簧	Spring	1
30	30526017	PM302	銷子	Pin	1
31	30527011	CL28	彈簧	Spring	1
32	305S30006	CL25	調節螺釘	Adjusting Screw	1
33	30501007	VCL21	壓腳架	Finger Guide	1
34	305901400	-----	后凸輪組件(齒輪式)	After Cam Assembly	1
	305901500	-----	后凸輪組件(齒輪式)	After Cam Assembly	1
	305901700	-----	后凸輪組件(光滑式)	After Cam Assembly	1



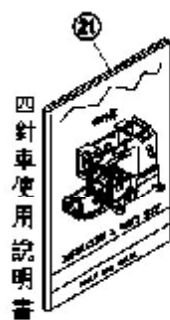
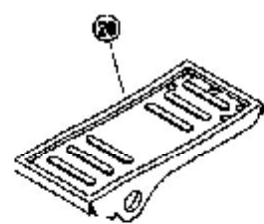
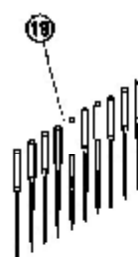
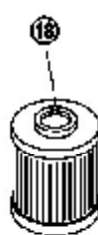
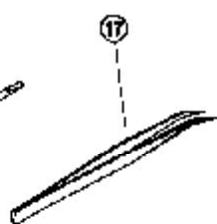
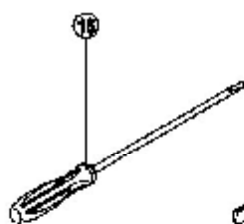
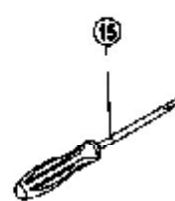
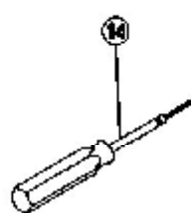
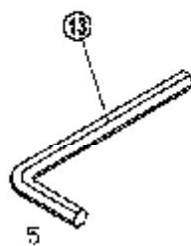
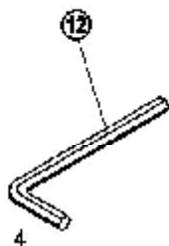
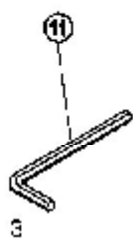
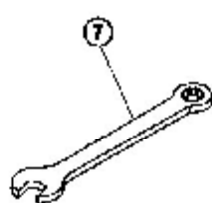
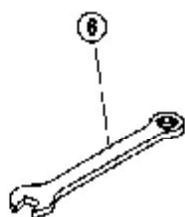
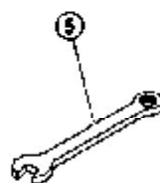
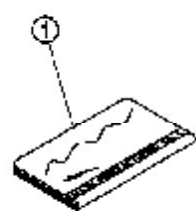


轉輪使用方式

齒形	平 輪				齒 輪			
	PI		黑色橡膠		齒形期		齒	
長度	短輪	長輪	短輪	長輪	短輪	長輪	短輪	長輪
代 號	VCL16	VCL16P	VCL16Q	VCL16R	VCL08 (27T)	VCL08P (27T)	VCL08Q 單向齒5T	VCL08N 雙向齒22T
下 代 號		VCL29		VCL20R	VCL33 (34T)	VCL33P (34T)		VCL33N 30X 322T

#### 十四、后凸輪部件 / After Cam assemblies

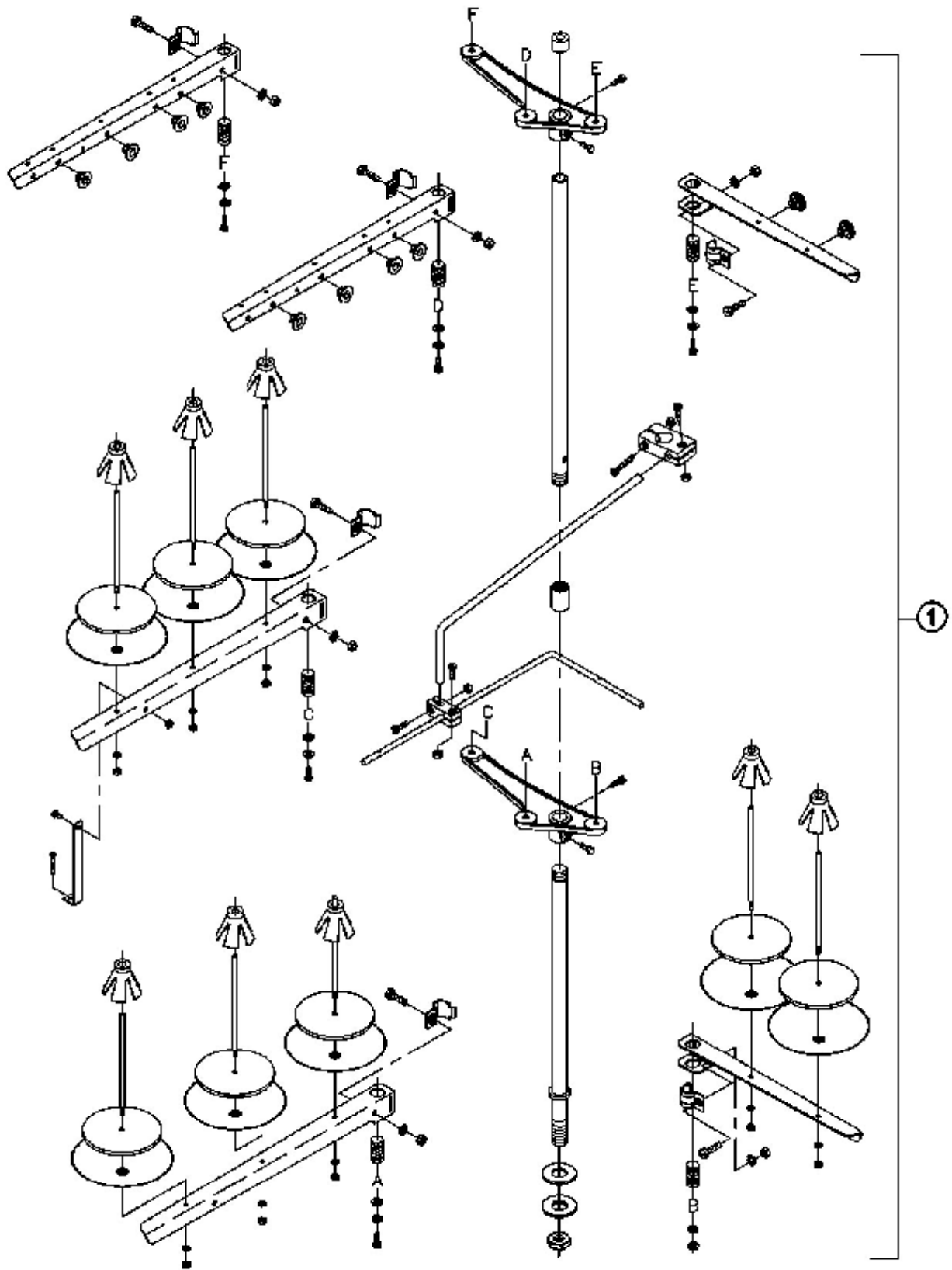
序號 NO	件號 Parts No.	參考件號 Ref.Part.No.	名稱	Description	數量/Number
					4針64
1	305S30007	SM524	螺釘 M5 × 8.5	Screw	1
2	W01004	CL48	墊圈5	Washer	2
3	30526011	CL49	曲柄球	Iron Cover	1
4	30503034	CL50	連杆	Bearing	1
5	3050501700	CL51	連杆組件	connection Assy	1
6	N01004	NM511	螺母	Nut	1
7	W01004	CL48	墊圈5	Washer	1
8	30505020	CL50	連杆	Bearing	1
9	B07011	CL49	滾針軸承	Iron Cover	1
10	305S30009	CL47	螺釘	Screw	1
11	S05037	SM612	螺釘 M6 × 15	Screw	1
12	30504015	VCL14	曲柄	Crank	1
13	30512055	CL37	衝壓件鐵臂	Jib	1
14	N01004	NM511	螺母M5	Nut	1
15	S03003	SM451	螺釘 M4 × 6	Screw	3
16	3061000200	VCL16	后凸輪組件	After Cam Assy	1
17	S02014	SK373	螺釘 M3.5 × 8.5	Screw	5
18	30625003	VCL08	壓輪組件	Press Wheel	1
19	30526021	LF39	圓柱銷	Pin	2
20	30527012	LF38	彈簧	Spring	2
21	30503035	VCL15	齒輪套	Gear Wheel Cover	1
22	30525010	LF37	齒輪	Gear Wheel	2
23	30512056	CL38	蝶形卡簧	Spring	1
24	S09008	SM502	螺釘 M5 × 5	Screw	4
25	3050100800	VCL18	壓輪架	Press Wheel Fight	1
26	305S11012	SM470	螺釘	Screw	1
27	30512057	CL45	壓板	Bracket	1
28	N01008	NM810	螺母 M8	Nut	2
29	30502023	VCL17	軸	Shaft	1
30		CL41	墊片	Washer	5
31	30503036	VCL31	軸套	Bushing	1
32	W01010	WM800	墊圈8	Washer	1



## 十五、附件(1) / Accessories Assemblies

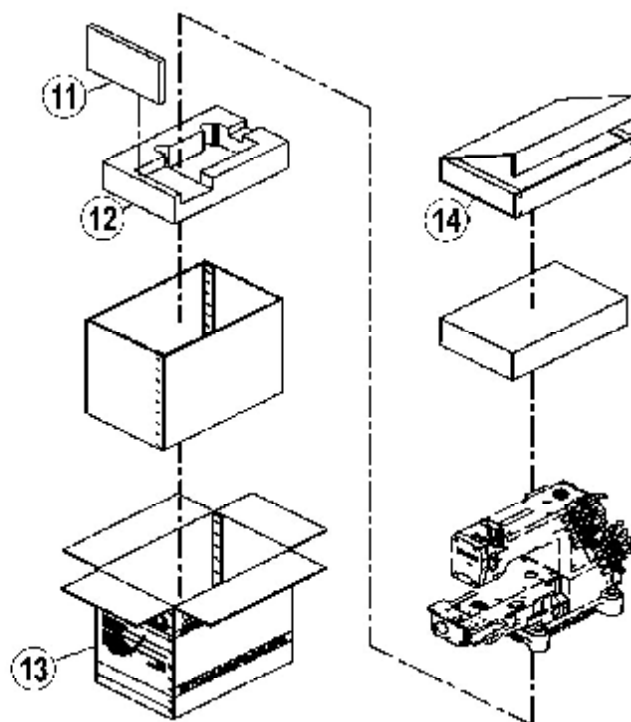
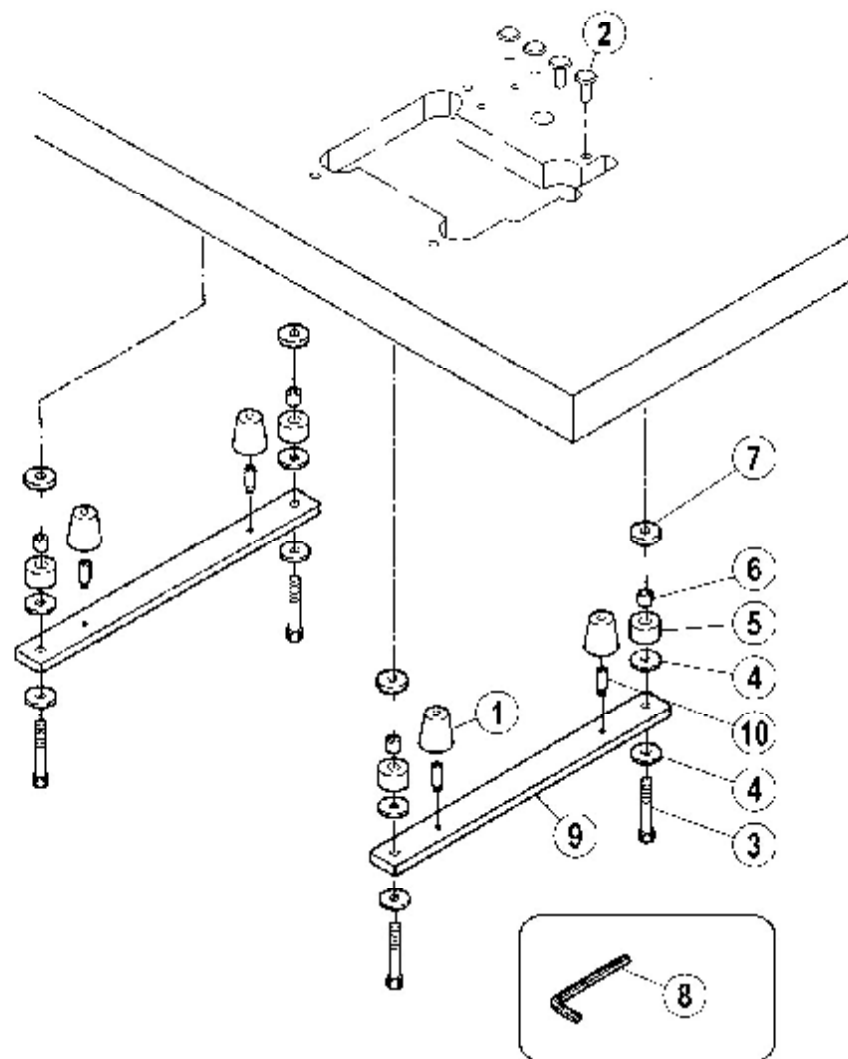
序 號 NO	件 號 Parts No.	參考件號 Ref.Part.No.	名 稱	Description	數量/Number
					4針64
1	30531001	MY01	純白油	Oil	1
2	30531002	MY02	硅油	Silicon Oil	1
3	30511006	MY03	空油壺	Oil Can	1
4	30511007	KY04	漏門	Oil Funnel	1
5	30531003	KY07	7mm六角扳手	Spanner(7mm)	1把
6	30531004	KY08	8mm六角扳手	Spanner(8mm)	1把
7	30531005	KY09	9mm六角扳手	Spanner(9mm)	1把
8	30531006	MY09	1.5mm內六角扳手	Inner-hexagon Driver(1.5mm)	1把
9	30531007	MY08	2mm內六角扳手	Inner-hexagon Driver(2mm)	1把
10	30531008	MY10	2.5mm內六角扳手	Inner-hexagon Driver(2.5mm)	1把
11	30531009	MY11	3mm內六角扳手	Inner-hexagon Driver(3mm)	1把
12	30531010	MY12	4mm內六角扳手	Inner-hexagon Driver(4mm)	1把
13	30531011	KY11	5mm內六角扳手	Inner-hexagon Driver(5mm)	1把
14	30531012	KY14	大號一字螺釘刀	Screw Driver	1把
15	30531013	KY17	中號一字螺釘刀	Screw Driver	1把
16	30531014	KY16	小號一字螺釘刀	Screw Driver	1把
17	30531015	KY18	鑷子	Tweezer	1
18	30531017	KT14	濾油器	Oil Filter	1
19	30617004	Uo113	機針	Needle	1包
20	30531016	KY20D	腳踏板	Presser Foot Base	1
21	30531029	-----	說明書零件樣本	Parts list Instruction book	1
22	30531018	KY21	鏈條	Chain	1





## 十六、附件(2) / Accessories Assemblies

序 號 NO	件 號 Parts No.	參考件號 Ref.Part.No.	名 稱	Description	數量/Number				
					4針64	6針64	8針64	12針64	13針64
1	30532002	-----	綫架	Fight	1套	1套	1套	1套	1套



## 十七、附件(3) / Accessories Assemblies

序 號 NO	件 號 Parts No.	參 考 件 號 Ref.Part.No.	名 稱	Description	數量/Number
					4針64
1	30122029	206338	油盤減振墊	Rubber cushion	4
2	301S16008	206336	托盤固定螺母	Nut	4
3	301S30017	4512	托板內六角螺釘	Bolt	4
4	20131029	KX08	大墊圈	Washer	8
5	20131030	KX09	托板減振墊	Rubber cushion	4
6	30103078	-----	減振墊支撐套	Spacer	4
7	30122031	-----	減震墊圈	Rubber cushion	4
8	20131045	-----	JK795-1910內六角扳手 (1.6mm直柄)	Spanner	1付
9	30532001	-----	JK8008安裝板	Rest board	2
10	301S30018	VN01	螺釘	Screw	4
11	30511008	-----	泡沫箱 (上)	Box	1
12	30531025	-----	泡沫箱 (下)	Box	1
13	30531026	-----	紙箱	Paper Box	1
14	30531027	-----	附件盒	Accessory Box	1