

ISO9001 认证
WT
CE
国家高新技术企业
清洁生产

JK-8568/8569

User Guide

产品使用说明书

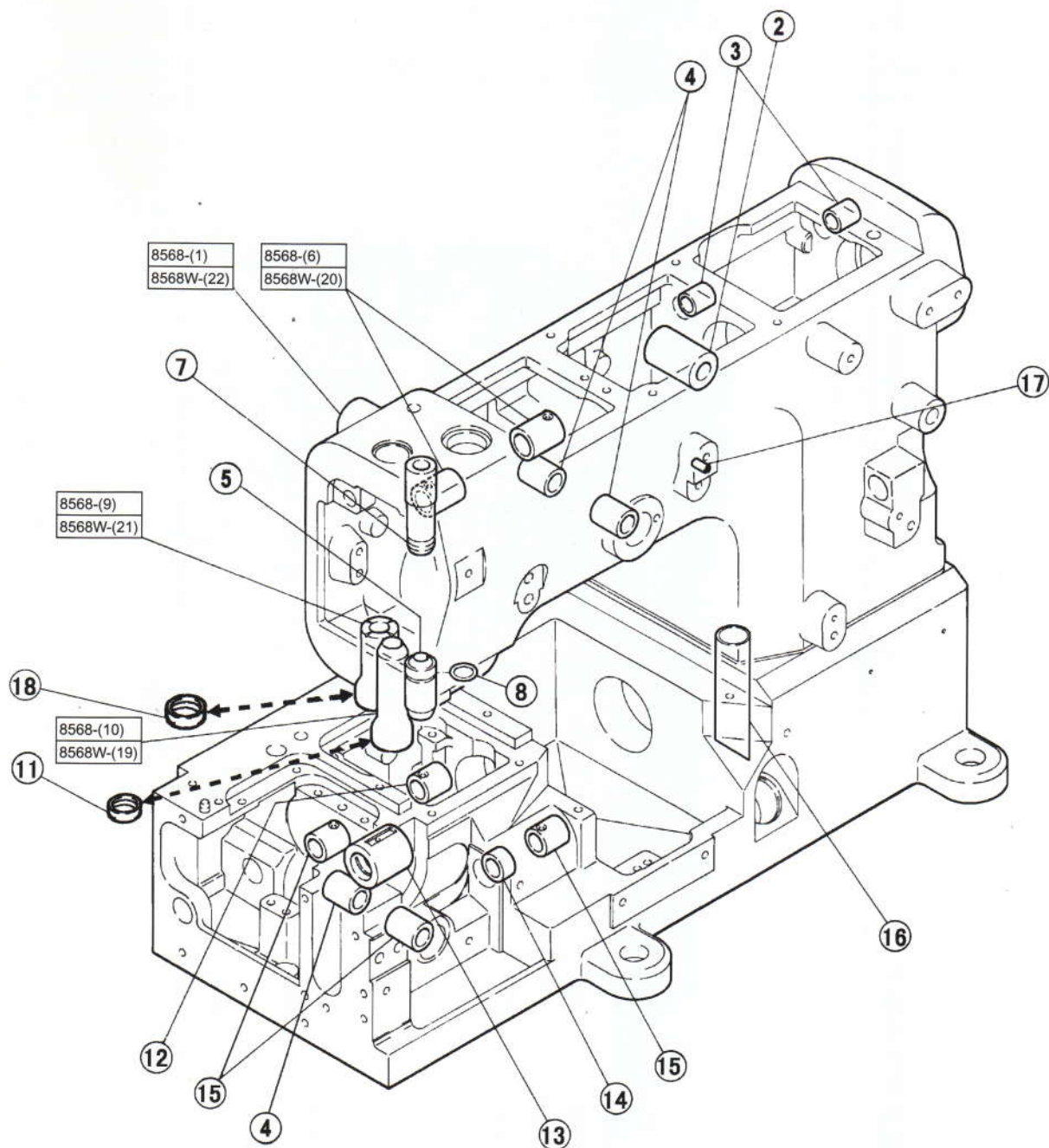
杰克缝纫机
JACK SEWING MACHINE
| [HTTP://WWW.CHINAJACK.COM](http://www.chinajack.com) |

8568 調整標準參數表 8568 Adjustment Dimensions (mm)

| 8568-01CB | 224 | 10.2 | 4.8~5.1 | 8.3~8.7 | 4.5~5.0 | 17.0 | 0.8~1.2 | | | | | |
|------------|-----|------|---------|---------|---------|------|---------|--|--|--|--|--|
| 8568W-01CB | | | | | | | | | | | | |
| 8568-02BB | 232 | 9.8 | 4.4~4.7 | 8.3~8.7 | 4.5~5.0 | 17.0 | 0.8~1.2 | | | | | |
| 8568W-02BB | | | | | | | | | | | | |
| 8568-03EB | 248 | 8.9 | 3.6~3.9 | 8.3~8.7 | 4.5~5.0 | 17.0 | 0.8~1.2 | | | | | |
| 8568W-03EB | | | | | | | | | | | | |
| 8568-05MD | 256 | 8.5 | 3.2~3.5 | 8.3~8.7 | 4.5~5.0 | 17.0 | 0.8~1.2 | | | | | |
| 8568W-05DB | | | | | | | | | | | | |
| 8568-07FD | 264 | 8.1 | 2.8~3.1 | 8.3~8.7 | 4.5~5.0 | 17.0 | 0.8~1.2 | | | | | |
| 8568W-07FD | | | | | | | | | | | | |
| 8568-08AB | 348 | 9.4 | 3.6~3.9 | 8.3~8.7 | 4.5~5.0 | 17.0 | 0.8~1.2 | | | | | |
| 8568W-08AB | | | | | | | | | | | | |
| | 356 | 8.5 | 8.3~8.7 | 8.3~8.7 | 4.5~5.0 | 17.0 | 0.8~1.2 | | | | | |
| | 364 | 8.1 | 2.8~3.1 | 8.3~8.7 | 4.5~5.0 | 17.0 | 0.8~1.2 | | | | | |

零件樣本

Parts Book

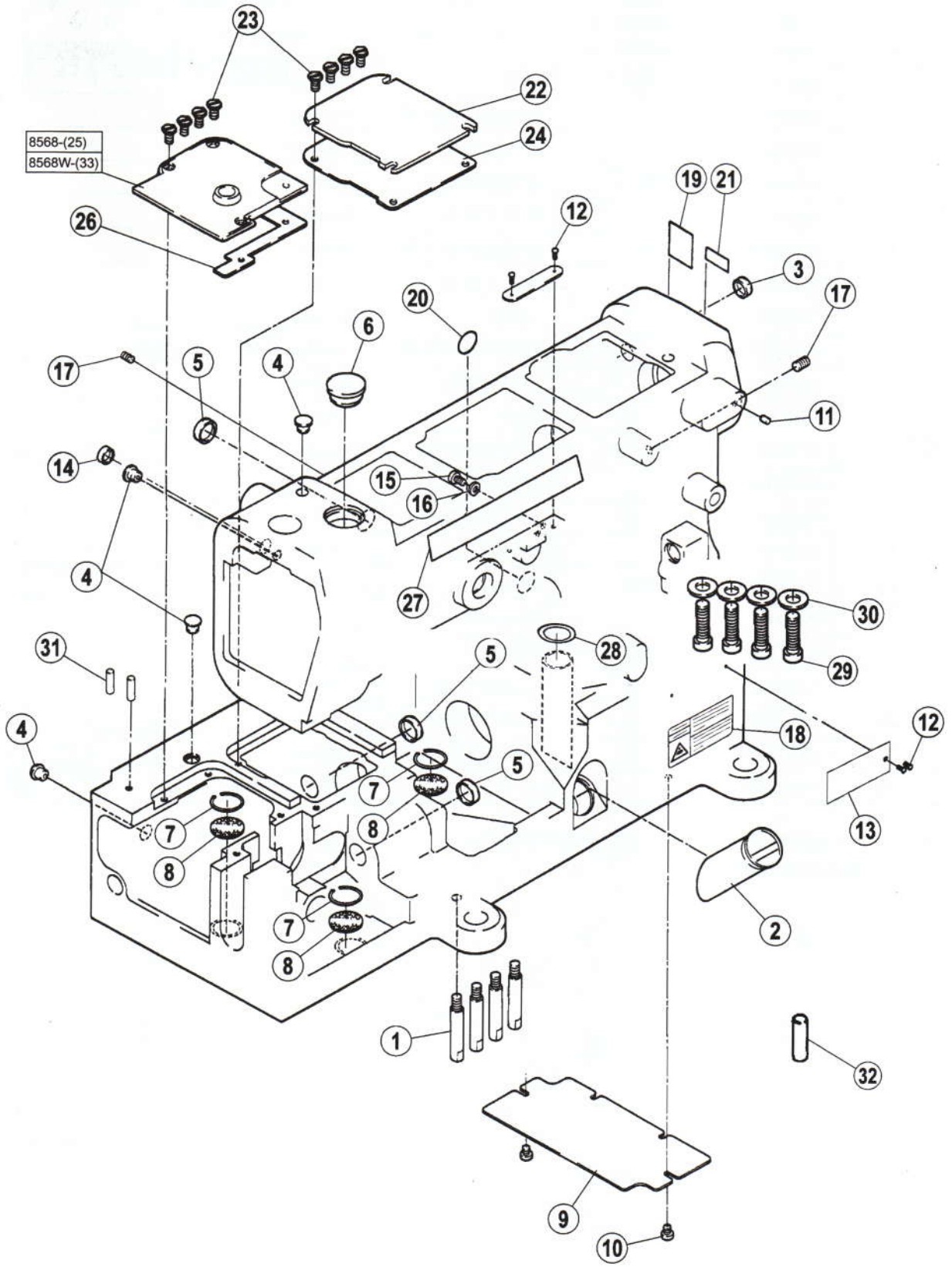


套筒部件 / Bushing Assembly

| 序号 NO | 件号 Parts No. | 参考件号 Ref.Part.No. | 名称 | Description | 数量 Number |
|----------|-----------------|----------------------|---------|---------------|--------------|
| 1 | 30101003 | 250215-2 | 上节 | machine frame | 1 |
| 2 | 30103036 | | 压脚扳手轴套筒 | bushing | 1 |
| 3 | 30103037 | | 抬压轴套筒 | bushing | 2 |
| 4 | 30103042 | 210297 | 过线座轴套筒 | bushing | 3 |
| 5 | 30103018 | | 针杆下套筒 | bushing | 1 |
| 6 | 30103039 | 250141 | 摆动连杆轴套筒 | bushing | 2 |
| 7 | 30103017 | | 针杆上套筒 | bushing | 1 |
| 8 | O01039 | | O型圈 | O ring | 1 |
| 9 | 30103038 | | 喂针摆动轴套筒 | bushing | 1 |
| 10 | 30103035 | | 压脚轴套筒 | bushing | 1 |
| 11 | 30122039 | | 油封 | plug | 1 |
| 12 | 30103021 | 250135 | 弯针轴前套筒 | bushing | 1 |
| 13 | 30103010 | | 主轴套筒 | bushing | 1 |
| 14 | 30103019 | | 护针轴前套筒 | bushing | 1 |
| 15 | 20103014 | | 护针轴后套筒 | bushing | 3 |
| 16 | 30121001 | 255020 | 铜油管 | pipe | 1 |
| 17 | P03005 | | 销 4 × 8 | pin | 1 |
| 18 | 20622019 | 210586 | 油封 | plug | 1 |
| 19 | 30103077 | | 压脚轴套筒 | bushing | 1 |
| 20 | 30103079 | | 摆动连杆轴套同 | bushing | 2 |
| 21 | 30103078 | | 喂针摆动轴套筒 | bushing | 1 |
| 22 | 30101073 | | 上节 | machine frame | 1 |

注: [---] 点划线框表示暂时不用或已改进的零部件。

(W) 表示无油零部件。

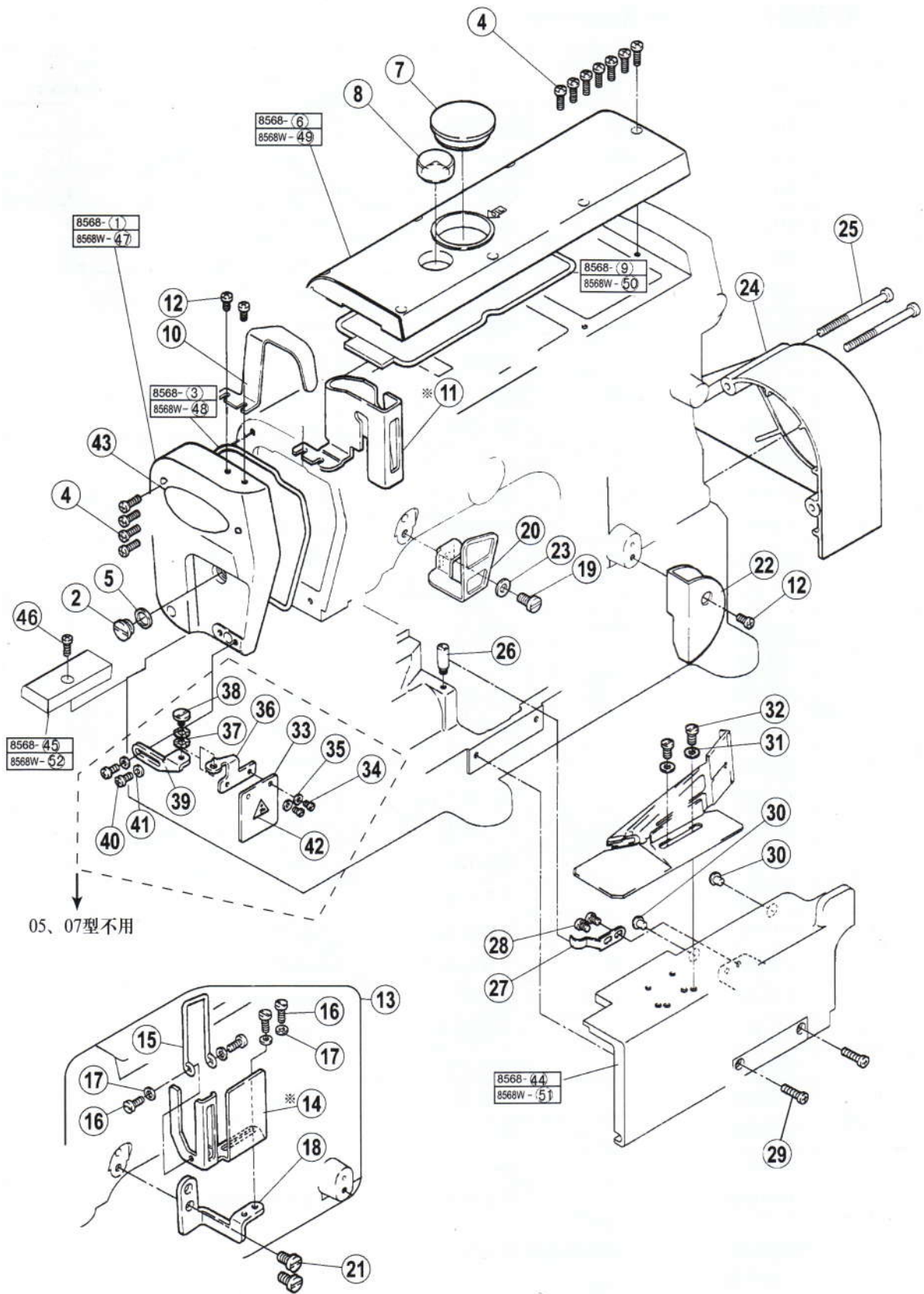


一、车壳部件 / Frame Assembly

| 序号 NO | 件号 Parts No. | 参考件号 Ref.Part.No. | 名称 | Description | 数量 Number |
|----------|-----------------|----------------------|---------------|-------------------------|--------------|
| 1 | 301S30001 | 250117 | 机壳螺钉 | shoulder pin | 4 |
| 2 | 30111001 | 206590 | 油标 | oil level gauge | 1 |
| 3 | 30122004 | 240228 | 油封 | plug | 1 |
| 4 | 30122006 | 240052 | 油堵 | plug | 4 |
| 5 | 30122008 | 208173 | 油封 | plug | 3 |
| 6 | 30122005 | 240110 | 油封 | plug | 1 |
| 7 | H01001 | 240001 | 挡圈 18 | ring | 3 |
| 8 | 30112001 | 255002 | 滤油网 | filter | 3 |
| 9 | 30112002 | 250020 | 盖板 | cover | 1 |
| 10 | S01002 | 7017 | 螺钉 M4 × 6.5 | screw | 2 |
| 11 | 30122010 | 240127 | 油堵 | mark | 1 |
| 12 | R03001 | 210679 | 铆钉 2.5 × 4 | pin | 4 |
| 13 | 30137001 | 250233 | 机型牌 | sticker | 1 |
| 14 | 30122007 | 205088 | 油封 | plug | 1 |
| 15 | S01004 | 7019 | 螺钉 M4 × 7.8 | screw | 1 |
| 16 | W01001 | 25350332 | 垫圈 4 | washer | 1 |
| 17 | S12004 | 4556 | 螺钉 M6 × 10 | screw | 2 |
| 18 | 20131063 | | 警示牌 | sticker | 1 |
| 19 | 30137003 | | 标牌 | sticker | 1 |
| 20 | 30122036 | | 密封圈 | sticker | 1 |
| 21 | 30137004 | | 警示牌 | sticker | 1 |
| 22 | 30101005 | 250003 | 下节右盖 | top cover plate (right) | 1 |
| 23 | L02001 | 7084 | 螺栓 M4 × 8 | screw | 8 |
| 24 | 30122003 | 250004 | 下节右盖垫 | gasket | 1 |
| 25 | 30101004 | 250069 | 下节左盖 | top cover plate (left) | 1 |
| 26 | 30122002 | 250020 | 下节左盖垫 | gasket | 1 |
| 27 | 30131003 | 250215-2 | 商标牌 | name plate | 1 |
| 28 | O01001 | | O型圈 15 × 2.65 | o ring | 1 |
| 29 | S05001 | | 螺钉 M10 × 27.5 | screw | 4 |
| 30 | W02003 | | 垫圈 10 | washer | 4 |
| 31 | 30226004 | | 销 | pin | 2 |
| 32 | P02001 | | 销 | pin | 1 |
| 33 | 30101068 | | 下节左盖 | top cover plate (left) | 1 |

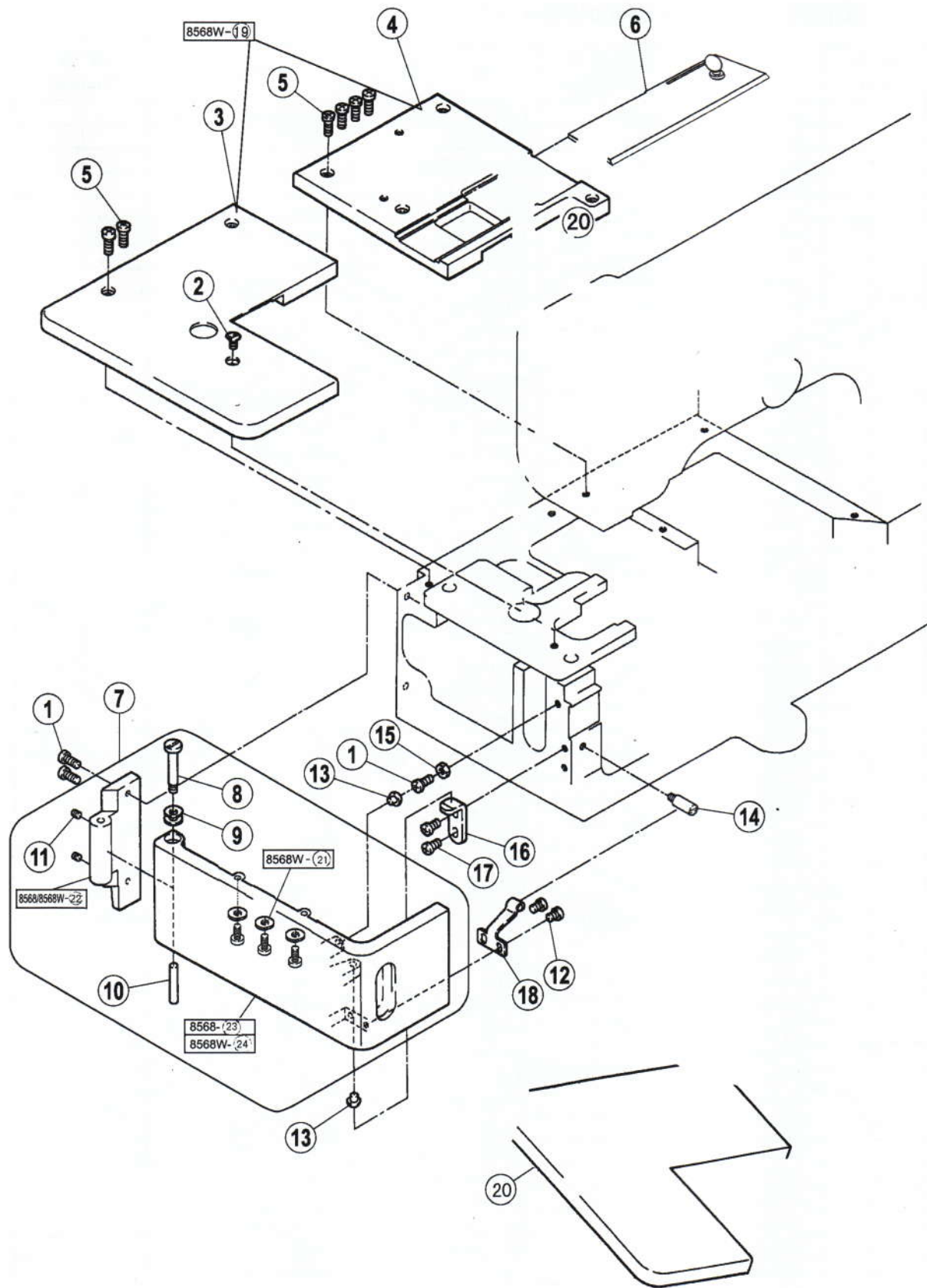
注: [] 点划线框表示暂时不用或已改进的零部件。

(W) 表示无油零部件。



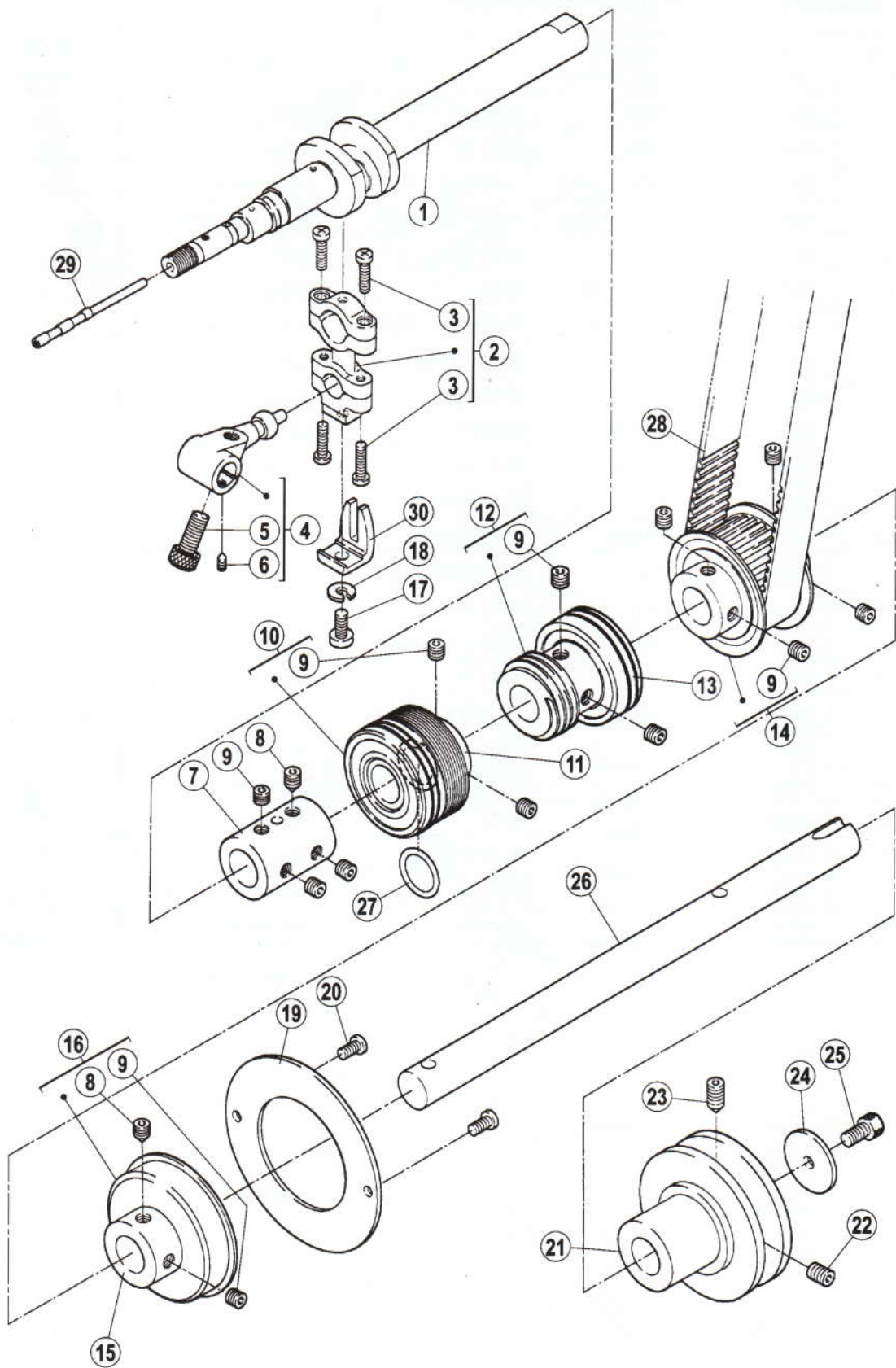
二、罩壳部件 / Cover assemblies

| 序号 NO | 件号 Parts No. | 参考件号 Ref.Part.No. | 名称 | Description | 数量 Number |
|----------|-----------------|----------------------|--------------|---------------------------|--------------|
| 1 | 30101072 | 250016-AUD | 机头左盖 (喷漆) | arm cover (left) | 1 |
| 2 | 301S11001 | 5242 | 机头左盖螺钉 | screw | 1 |
| 3 | 30122014 | 250017 | 机头左盖密封圈 | o ring | 1 |
| 4 | S01003 | 7021 | 螺钉 M4 × 12 | screw | 11 |
| 5 | 30128001 | 240263 | 垫圈 | washer | 1 |
| 6 | 30101006 | 250149 | 上盖 (喷漆) | arm cover (top) | 1 |
| 7 | 30122012 | 240226 | 密封盖 | plug | 1 |
| 8 | 20711002 | 179107-05 | 油标盖 | oil sight window | 1 |
| 9 | 30122013 | 250019 | 上盖密封圈 | o ring | 1 |
| 10 | 30112003 | 250021-UD | 针杆护罩 | needle bar cover | 1 |
| 11 | 30112082 | | 针杆护罩 | needle bar cover | 1 |
| 12 | S01004 | 7019 | 螺钉 M4 × 7.8 | screw | 3 |
| 13 | 3011208300 | | 过线防护罩组件 | thread take-up guard assy | 1 |
| 14 | 30112083 | | 过线防护罩 | thread takeup guard | 1 |
| 15 | 30112084 | | 手指防护罩 | finger guard | 1 |
| 16 | S01001 | | 螺钉 M4 × 7 | screw | 3 |
| 17 | W01001 | | 垫圈 4 | washer | 3 |
| 18 | 30112085 | | 托架 | bracket | 1 |
| 19 | 301S11002 | | 护罩螺钉 | screw | 1 |
| 20 | 30112006 | 250023 | 过线护罩 | threan takeup cover | 1 |
| 21 | 301S11002 | 7052 | 护罩螺钉 | screw | 2 |
| 22 | 300135 | 250005 | 弯针护线板 (喷漆) | looper thread guide cover | 1 |
| 23 | W01003 | 207924 | 垫圈 6 | washer | 1 |
| 24 | 30111004 | 250022 | 皮轮护罩 | puller cover | 1 |
| 25 | 301S11003 | 7075 | 带轮护罩螺钉 | screw | 2 |
| 26 | 301S30002 | 7089 | 左侧盖簧螺钉 | screw | 1 |
| 27 | 30127001 | 250051 | 前罩簧 | flat spring | 1 |
| 28 | S01002 | 7017 | 螺钉 M4 × 6.5 | screw | 2 |
| 29 | S01007 | 7023 | 螺钉 M4 × 13.5 | screw | 2 |
| 30 | 30122015 | 210025 | 前罩防振垫 | cushon | 2 |
| 31 | W01004 | 204585 | 垫圈 5 | washer | 2 |
| 32 | S01011 | 7024 | 螺钉 M5 × 10 | screw | 2 |
| 33 | 30111003 | 250257 | 有机玻璃罩 | eye guard | 1 |
| 34 | S01006 | | 螺钉 M3 × 4.5 | screw | 2 |
| 35 | W01002 | | 垫圈 3 | washer | 2 |
| 36 | 30112005 | 250256 | 护罩架 | bracket | 1 |
| 37 | W03001 | | 垫圈 6 | washer | 2 |
| 38 | 301S20001 | 7066 | 护罩座固定螺钉 | screw | 1 |
| 39 | 30112004 | 250255 | 护罩座 | bracket | 1 |
| 40 | S01004 | 7020 | 螺钉 M4 × 7.8 | screw | 2 |
| 41 | W01001 | 303448 | 垫圈 4 | washer | 2 |
| 42 | 30137005 | | 护罩警示牌 | sticker | 1 |
| 43 | 30337001 | | 商标牌 | sticker | 1 |
| 44 | 300136 | 250011 | 前罩缝台 (喷漆) | arm cover (top) | 1 |
| 45 | 300657 | | 上盖垫块 (喷漆) | brachet | 1 |
| 46 | S01003 | | 螺钉 M4 × 12 | screw | 4 |
| 47 | 30101070 | | 机头左盖 | arm civer (left) | 1 |
| 48 | 30122034 | | 机头左盖垫 | O ring | 1 |
| 49 | 30101069 | | 上盖 | arm cover (top) | 1 |
| 50 | 30122035 | | 上盖垫 | O ring | 1 |
| 51 | 30101071 | | 前罩缝台 | eccentric | 1 |
| 52 | 30101075 | | 上盖垫块 | bracket | 1 |



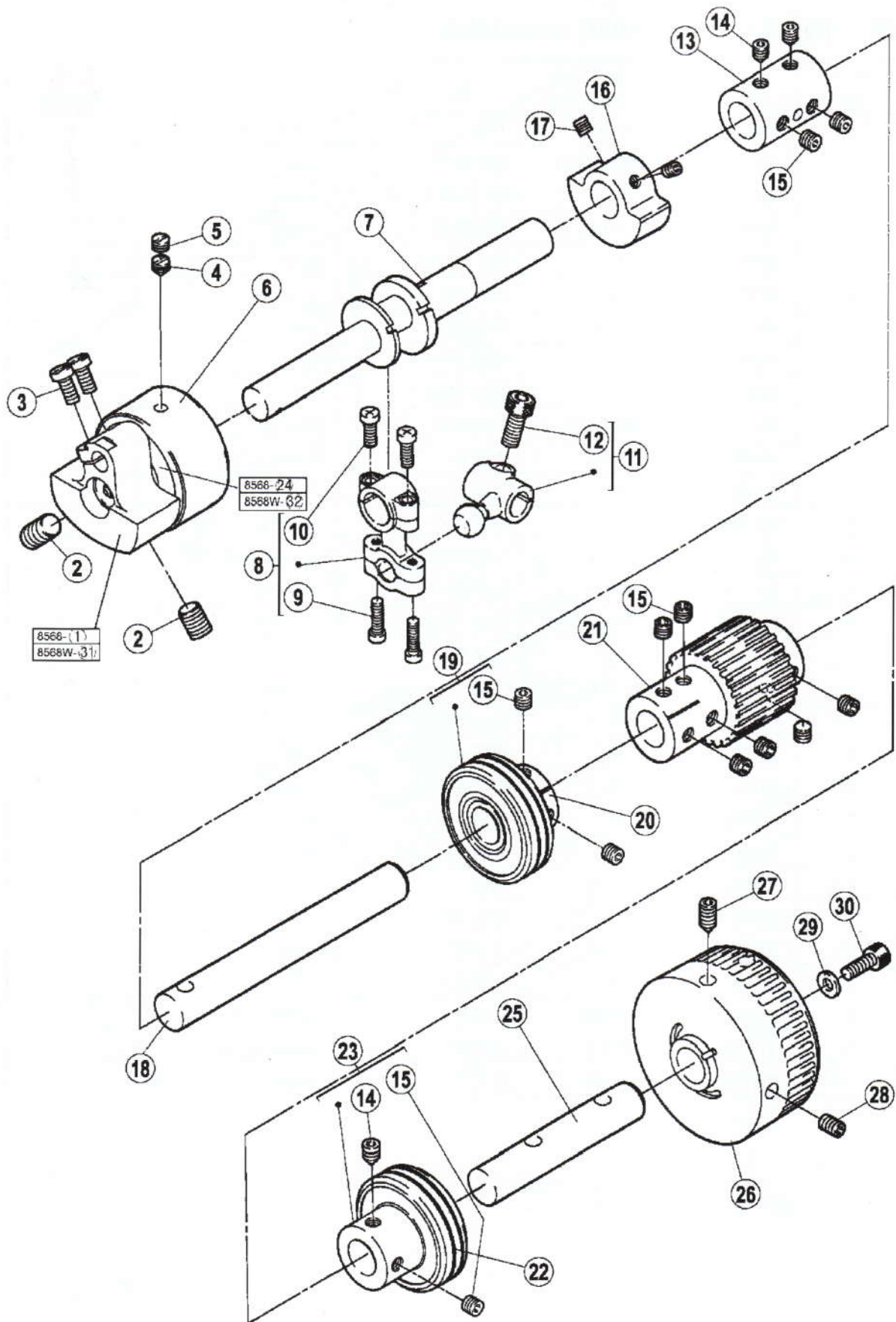
三、缝台部件 / Cloth plate assemblies

| 序号 NO | 件号 Parts No. | 参考件号 Ref.Part.No. | 名称 | Description | 数量 Number |
|----------|-----------------|----------------------|-------------|------------------|--------------|
| 1 | S01005 | 7020 | 螺钉 M4 × 10 | screw | 3 |
| 2 | S02001 | 7043 | 螺钉 M4 × 6 | screw | 1 |
| 3 | 300139 | 250052-BSD | 左缝台盖 (喷漆) | bed cover(left) | 1 |
| 4 | 300137 | 250074-ASD | 右缝台盖 (喷漆) | bed cover(right) | 1 |
| 5 | S01003 | 7021 | 螺钉 M4 × 12 | screw | 6 |
| 6 | 30115001 | 250071-91 | 推板 | cover | 1 |
| 7 | 300138 | 250039-SD | 侧盖组件 (喷漆) | side coverassy | 1 |
| 8 | 301S20004 | 250037 | 侧盖合扇销钉 | screw | 1 |
| 9 | 30128036 | 201191 | 弹簧垫圈 | spring | 2 |
| 10 | 301S20005 | 250038 | 销螺钉 | pin | 1 |
| 11 | S10001 | 4535 | 螺钉 M3 × 4 | screw | 2 |
| 12 | S01002 | 7017 | 螺钉 M4 × 6.5 | screw | 2 |
| 13 | 30122015 | 210025 | 前罩防振垫 | cushon | 2 |
| 14 | 301S30002 | 7089 | 左侧盖簧螺钉 | screw | 1 |
| 15 | N01001 | 4821 | 螺母 M4 | nut | 1 |
| 16 | 30112008 | 250047 | 挡块 | bracket | 1 |
| 17 | S01004 | 7019 | 螺钉 M4 × 7.8 | screw | 2 |
| 18 | 30127002 | 206023 | 侧盖簧 | flat spring | 1 |
| 19 | 30101072 | | 缝台盖 | bed cover | 1 |
| 20 | 30127026 | | 不锈钢缝台 | bed cover | 1 |
| 21 | 20528017 | | 垫片 | washer | 3 |
| 22 | 30101013 | | 侧盖合扇 | cover | 1 |
| 23 | 30111020 | | 缝台裙 | bed cover | 1 |
| 24 | 30111021 | | 缝台裙 | bed cover | 1 |



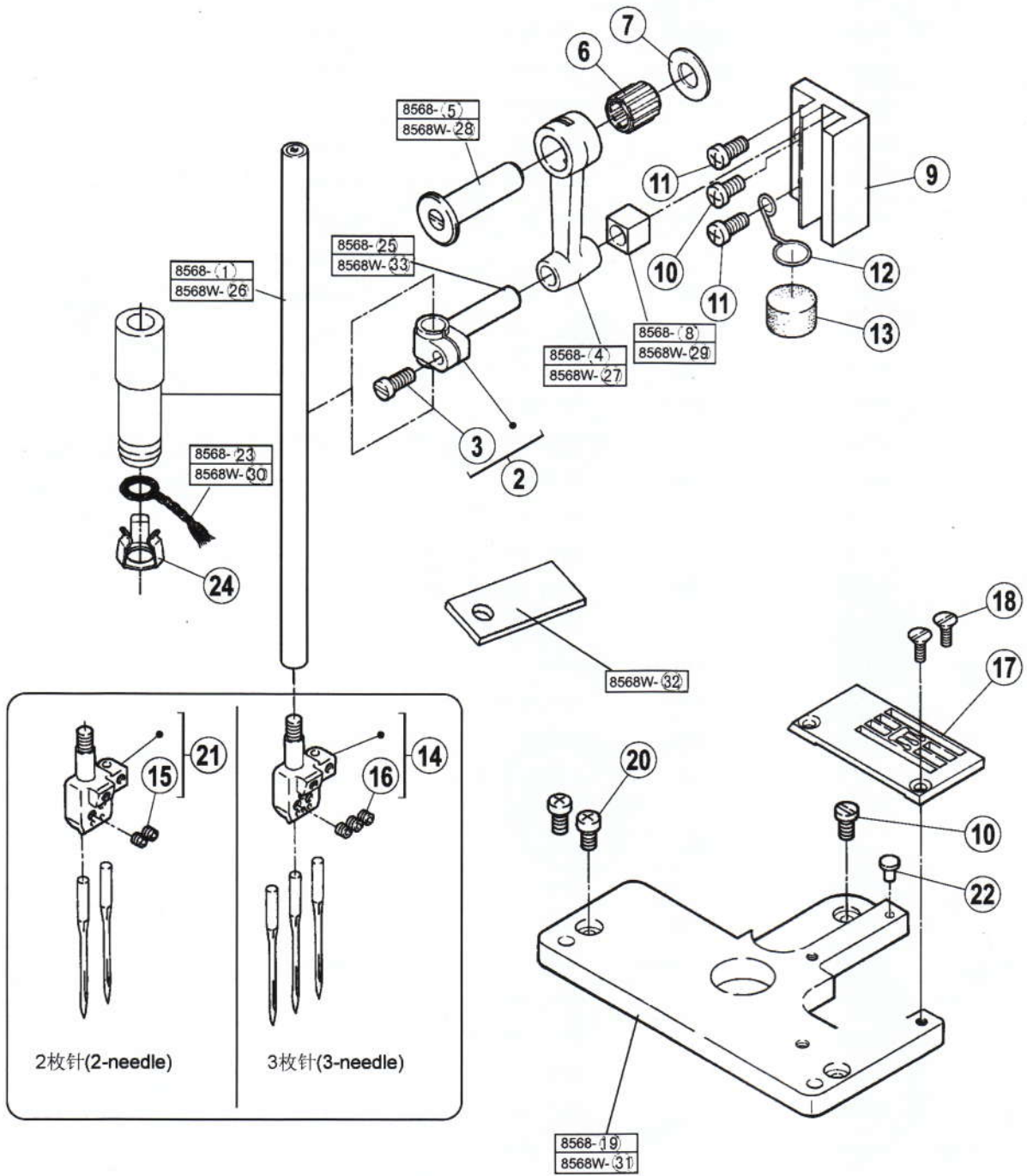
四、下轴部件 / Hook shaft assemblies

| 序号 NO | 件号 Parts No. | 参考件号 Ref.Part.No. | 名称 | Description | 数量 Number |
|----------|-----------------|----------------------|---------------------|-----------------|--------------|
| 1 | 30102049 | 250501B-91 | 下轴 | crankshaft assy | 1 |
| 2 | 3010500100 | 2505009-92 | 连杆组件 | connection assy | 1 |
| 3 | S01008 | 7015 | 螺钉 M3.5 × 13 | screw | 4 |
| 4 | 30104002 | 252008 | 下轴曲柄 | crank | 1 |
| 5 | S05002 | 4534 | 螺钉 M6 × 0.75 × 15.2 | screw | 1 |
| 6 | S12002 | 4545 | 螺钉 M3 × 4 | screw | 1 |
| 7 | 30103004 | 250506 | 接轴套 | joint | 1 |
| 8 | S12003 | 4555 | 螺钉 M6 × 7 | screw | 2 |
| 9 | S10003 | 4547 | 螺钉 M6 × 0.75 × 5 | screw | 12 |
| 10 | 3012400300 | 250508-91 | 油封轴承 | bearing | 1 |
| 11 | 30103006 | 250508 | 中轴套 | bushing | 1 |
| 12 | 30103008 | 250543 | 后轴套 | bushing | 1 |
| 13 | 3012400400 | | 油封轴承 | bearing | 1 |
| 14 | 30125001 | 250511-1 | 下轴同步带轮 | gear(lower) | 1 |
| 15 | 30103009 | 250530 | 轴承套 | bushing | 1 |
| 16 | B01003 | 250504-91 | 轴承 6304Z | bearing | 1 |
| 17 | 301S11004 | 4019 | 比叉螺钉 | screw | 1 |
| 18 | W02001 | 202286 | 垫圈 5 | washer | 1 |
| 19 | 30108001 | 250514 | 轴承挡圈 | cover | 1 |
| 20 | S01004 | 7019 | 螺钉 M4 × 7.8 | screw | 2 |
| 21 | 30101015 | 250515 | 皮带轮 | machine puller | 1 |
| 22 | S10009 | 4541 | 螺钉 M6 × 8 | screw | 1 |
| 23 | S12001 | 4556 | 螺钉 M6 × 8 | screw | 1 |
| 24 | 30128005 | 240126 | 垫圈 | washer | 1 |
| 25 | S05003 | 4501 | 螺钉 M5 × 10 | screw | 1 |
| 26 | 30102003 | 250507 | 下后轴 | shaft | 1 |
| 27 | O01001 | 206837 | O型圈 15 × 2.65 | o ring | 1 |
| 28 | 30135002 | 206050C | 同步带 | timing belt | 1 |
| 29 | 30126001 | 250525 | 调节销 | adjusting bar | 1 |
| 30 | 30109001 | 201074 | 比叉 | guide | 1 |



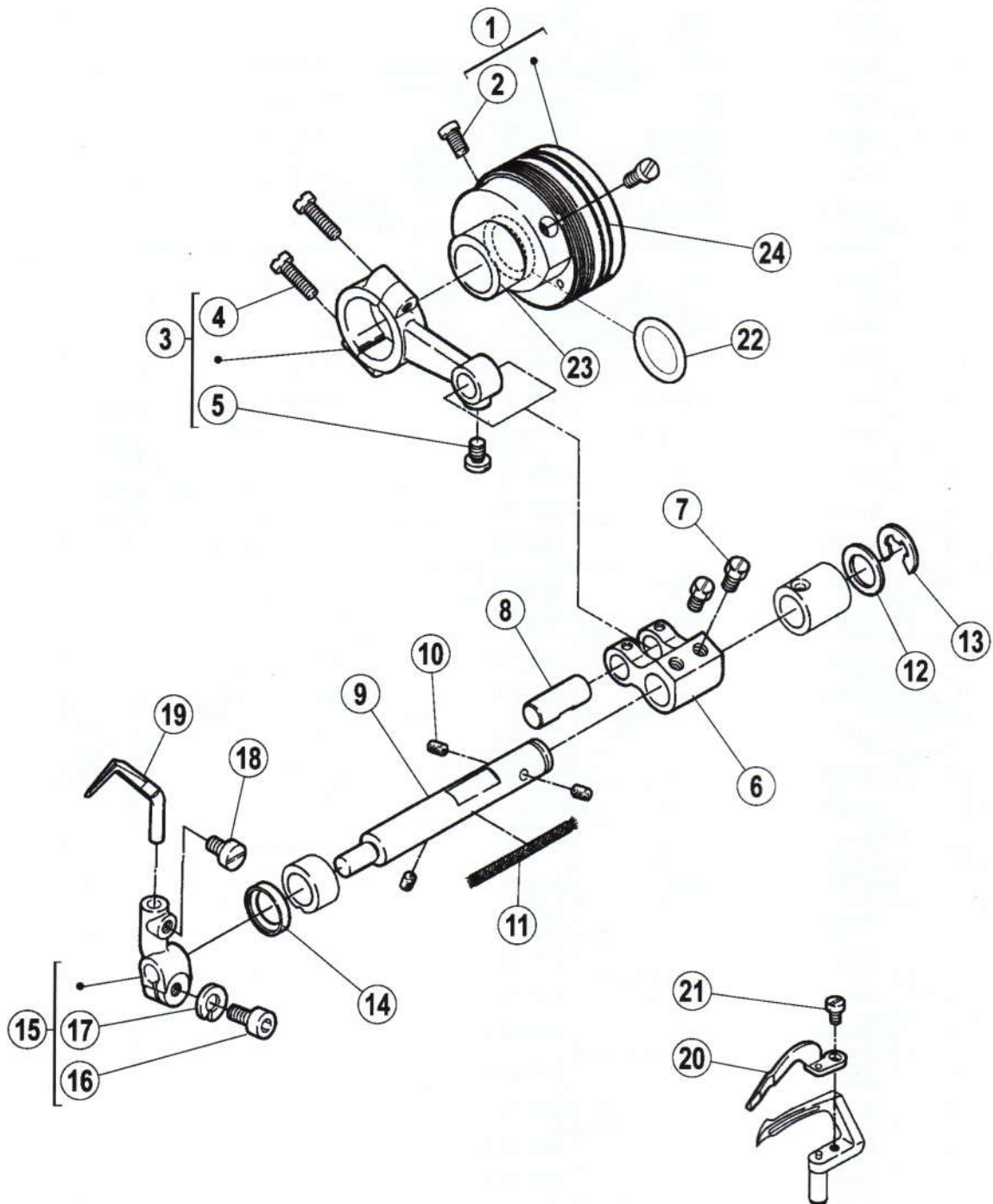
五、上轴部件 / Main shaft assemblies

| 序号 NO | 件号 Parts No. | 参考件号 Ref.Part.No. | 名 称 | Description | 数量 Number |
|----------|-----------------|----------------------|---------------------|-----------------|--------------|
| 1 | 30104004 | 250526B92 | 针杆曲柄 | motion assy | 1 |
| 2 | S10004 | 4592 | 螺钉 M8 × 1 × 12 | screw | 2 |
| 3 | S01011 | 7028 | 螺钉 M5 × 10 | screw | 2 |
| 4 | S08001 | 7153 | 螺钉 M6 × 0.75 × 3.5 | screw | 1 |
| 5 | S11001 | 7152 | 螺钉 M6 × 0.75 × 6 | screw | 1 |
| 6 | 30103015 | 250526 | 轴承套 | bushing | 1 |
| 7 | 30102005 | 250517A | 上轴 | crankshaft | 1 |
| 8 | 3010500300 | 253500-92 | 连杆组件 | connection assy | 1 |
| 9 | S01003 | 7021 | 螺钉 M4 × 12 | screw | 2 |
| 10 | S01008 | 7015 | 螺钉 M3.5 × 13 | screw | 2 |
| 11 | 30104006 | 253501A | 弯针曲柄 | crank assy | 1 |
| 12 | S05002 | 4534 | 螺钉 M6 × 0.75 × 15.2 | screw | 1 |
| 13 | 30103004 | 250506 | 接轴套 | joint | 1 |
| 14 | S12003 | 4555 | 螺钉 M6 × 0.75 × 7 | screw | 3 |
| 15 | S10003 | 4547 | 螺钉 M6 × 0.75 × 5 | screw | 11 |
| 16 | 30109003 | 250524 | 上轴平衡块 | balance weight | 1 |
| 17 | S10002 | 4514 | 螺钉 M5 × 5 | screw | 2 |
| 18 | 30102006 | 250518-91 | 中轴 | shaft | 1 |
| 19 | 3012400400 | 250529-91 | 油封轴承 | bushing | 1 |
| 20 | 30103012 | 250529 | 轴承套 | bushing | 1 |
| 21 | 30125002 | 250521 | 上轴同步带轮 | gear(upper) | 1 |
| 22 | 3012400400 | | 油封轴承 | bearing | 1 |
| 23 | 30103014 | 250528 | 轴承套 | bushing | 1 |
| 24 | B01005 | | 轴承 6203 | bearing | 2 |
| 25 | 30102007 | 250519 | 后轴 | shaft | 1 |
| 26 | 30101016 | 250523AUD | 手轮 (刻好字) | handwheel | 1 |
| 27 | S12001 | 4556 | 螺钉 M6 × 8 | screw | 1 |
| 28 | S10009 | 4541 | 螺钉 M6 × 8 | screw | 1 |
| 29 | W01004 | 204585 | 垫圈 5 | washer | 1 |
| 30 | S05004 | 4501 | 螺钉 M5 × 14 | screw | 1 |
| 31 | 30104033 | | 针杆曲柄 | motion assy | 1 |
| 32 | B12001 | | 油封 | plug | 1 |



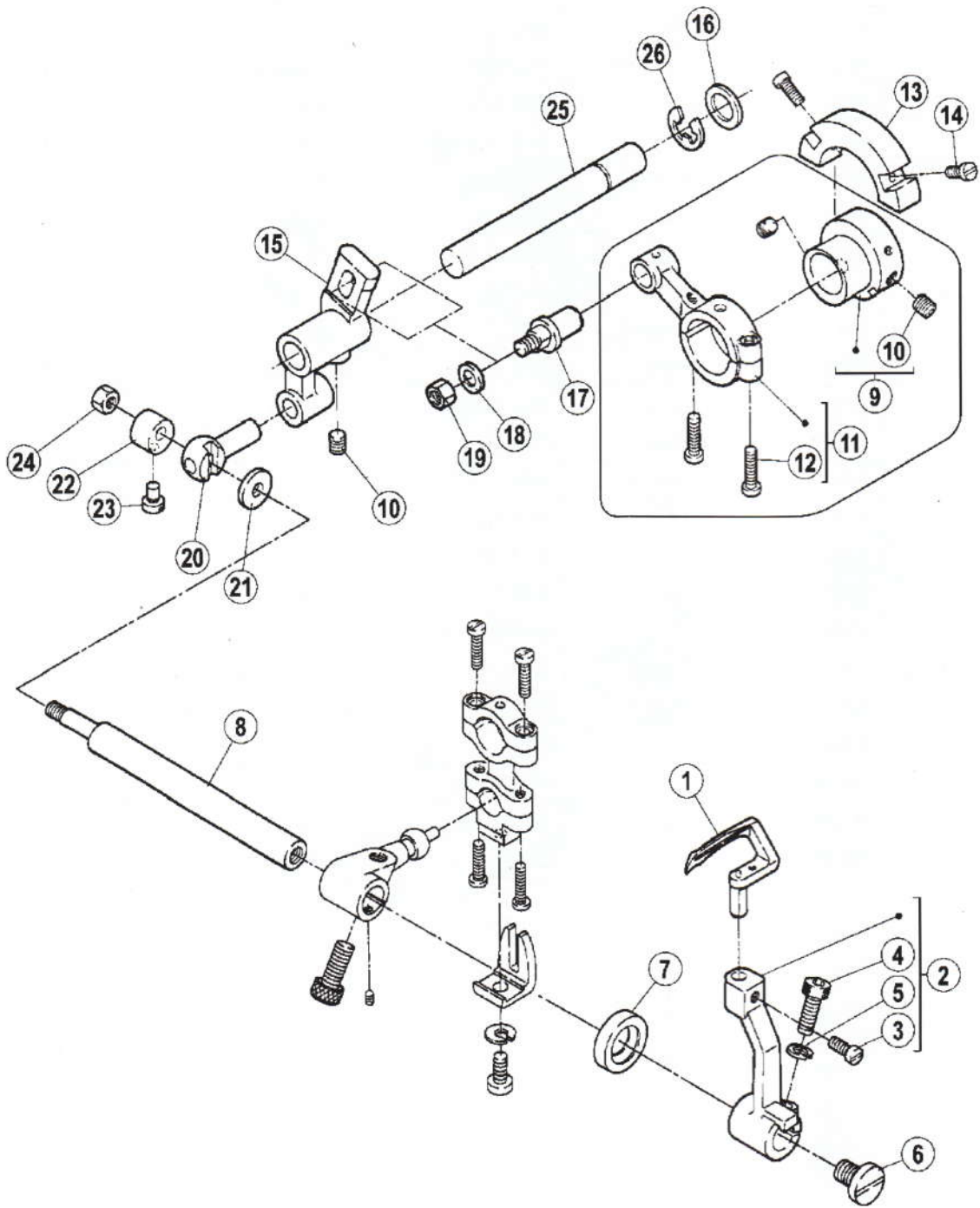
六、针杆部件 / Needle bar assemblies

| 序号 NO | 件号 Parts No. | 参考件号 Ref.Part.No. | 名称 | Description | 数量 Number |
|----------|-----------------|----------------------|----------------|------------------------|--------------|
| 1 | 30102008 | 251000-91 | 针杆 | | 1 |
| 3 | 301S11005 | 5325 | 针杆轧头螺钉 | | 1 |
| 4 | 30105005 | 206052 | 针杆连杆 | link/needle bar drive | 1 |
| 5 | 30102010 | 206053 | 针杆连杆轴 | pin | 1 |
| 6 | B07001 | 240098 | 轴承 8 × 12 × 12 | needle bearing | 1 |
| 7 | 30128006 | 240101 | 针杆连杆轴垫圈 | washer | 1 |
| 8 | 30109004 | 206063 | 针杆滑块 | block | 1 |
| 9 | 30109005 | 206062 | 滑块导座 | guide bloce/needle bar | 1 |
| 10 | 301S11024 | 7082 | 滑块导座螺钉 | screw | 2 |
| 11 | S01003 | 7021 | 螺钉 M4 × 12 | screw | 2 |
| 12 | 30127003 | 251009 | 毛毡弹簧 | latch | 1 |
| 13 | 30123002 | 179040-05 | 毛毡 | psponge | 1 |
| 14 | 30134001 | 257518-56 | 356针古 | needle holder | 1 |
| 15 | S10005 | 4554 | 螺钉 M3 × 3 | screw | 2 |
| 16 | S10005 | 4554 | 螺钉 M3 × 3 | screw | 3 |
| 17 | 30115002 | | 356针板 | needle plate | 1 |
| 18 | 301S17001 | 5373-HC | 针板螺钉 | screw | 2 |
| 19 | 30109006 | 251007 | 针板座 | bracket | 1 |
| 20 | S01004 | 7019 | 螺钉 M4 × 7.8 | screw | 2 |
| 21 | 30134006 | | 240针古 | needle holder | 1 |
| | 30134004 | | 248针古 | needle holder | 1 |
| 22 | 30122018 | 240123 | 防振垫 | cushon rubber | 1 |
| 23 | 20523003 | 202176 | 油线 | oil wick | 1 |
| 24 | 30112009 | 206524 | 油线托 | oil wick retainer | 1 |
| 25 | 30102009 | 206061 | 针杆轧头 | | 1 |
| 26 | 30102067 | | 针杆 | | 1 |
| 27 | 30105020 | | 针杆连杆 | | 1 |
| 28 | 30102069 | | 针杆连杆销 | | 1 |
| 29 | 30109027 | | 针杆滑块 | | 1 |
| 30 | 30123019 | | 针杆油毡 | | 1 |
| 31 | 30109022 | | 针板座 | | 1 |
| 32 | 30123020 | | 针板油毡 | | 1 |
| 33 | 30102068 | | 针杆轧头 | | 1 |



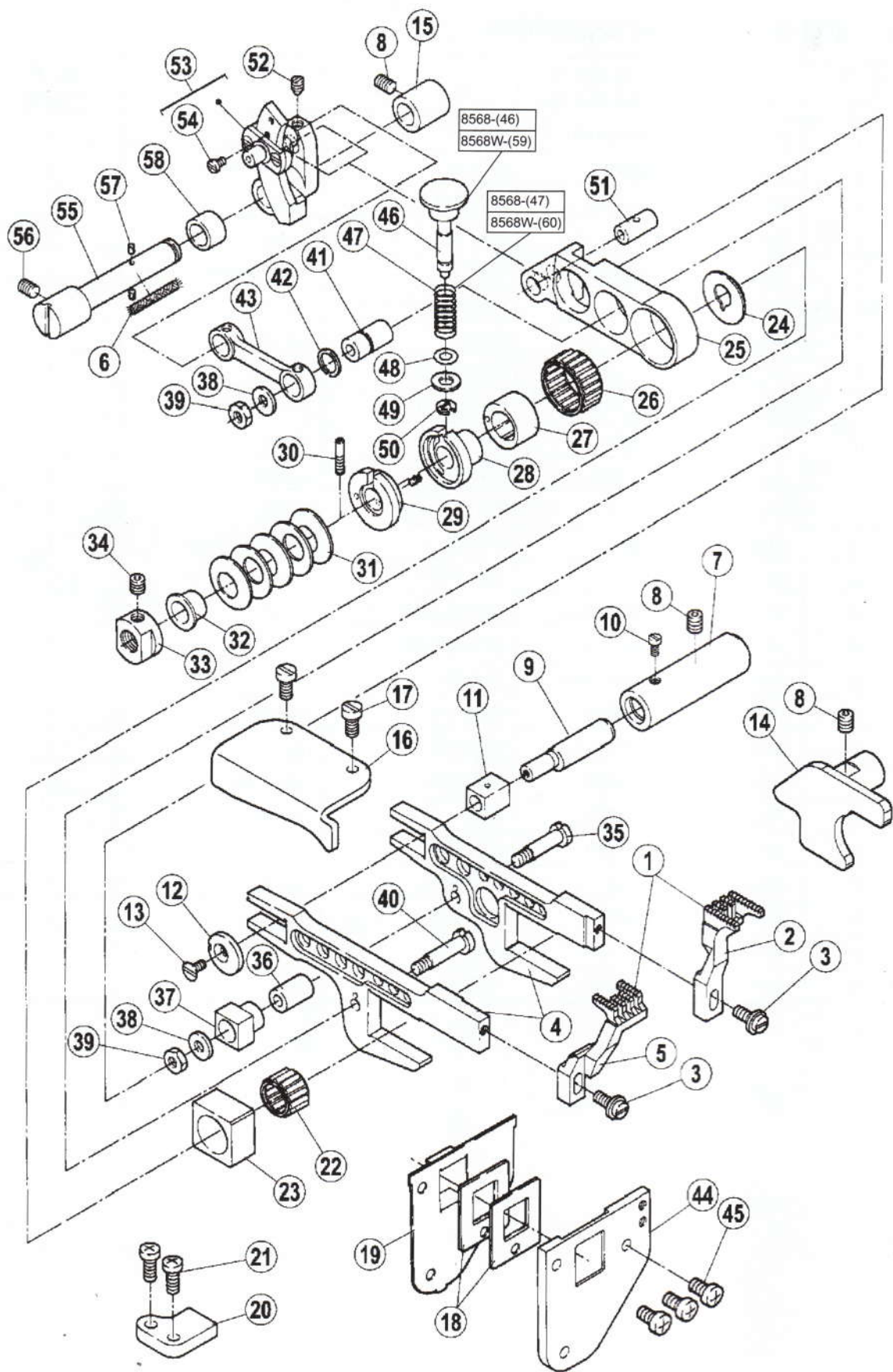
七、护针部件 / Needle guard assemblies

| 序号 NO | 件号 Parts No. | 参考件号 Ref Part.No. | 名称 | Description | 数量 Number |
|----------|-----------------|----------------------|---------------|----------------------|--------------|
| 1 | B01001 | | 轴承 6004 | eccentric assy | 1 |
| 2 | S10006 | 4539 | 螺钉 M5 × 6 | screw | 2 |
| 3 | 3010500600 | 255501-92 | 连杆组件 | connection assy | 1 |
| 4 | S01008 | 7015 | 螺钉 M3.5 × 13 | screw | 2 |
| 5 | 301S11024 | 7082 | 滑块导座螺钉 | screw | 1 |
| 6 | 30104007 | 306093 | 弯杆曲柄 | crank | 1 |
| 7 | 301S12001 | 5084 | 曲柄螺钉 | screw | 2 |
| 8 | 30126003 | 205495 | 曲柄销 | pin | 1 |
| 9 | 30102011 | 251518 | 护针轴 | shaft | 1 |
| 10 | 30123001 | 206748 | 毛毡 | felt | 3 |
| 11 | 20523003 | 202176 | 油线 | oil wick | 1 |
| 12 | 30128008 | 240102 | 护针轴垫圈 | washer | 1 |
| 13 | H05001 | 205061 | 挡圈 10 | ring | 1 |
| 14 | 30122019 | 204052A | 油封 | oil seal | 1 |
| 15 | 30104009 | 251519 | 护针挡架 | lever assy | 1 |
| 16 | S05003 | 4500 | 螺钉 M5 × 10 | screw | 1 |
| 17 | W02001 | 303067 | 垫圈 5 | washer | 1 |
| 18 | S01002 | 7017 | 螺钉 M4 × 6.5 | screw | 1 |
| 19 | 30117002 | 257551B | 后护针挡 | needle guard (rear) | 1 |
| 20 | 30117003 | 257553 | 前护针挡 | needle guard (front) | 1 |
| 21 | S01012 | 7031 | 螺钉 M2.5 × 4 | screw | 1 |
| 22 | O01001 | | O型圈 15 × 2.65 | o ring | 1 |
| 23 | 30110002 | 251517 | 偏心凸轮 | Eccentric | 1 |
| 24 | 30122017 | | 轴承槽油封 | oil seal | 2 |



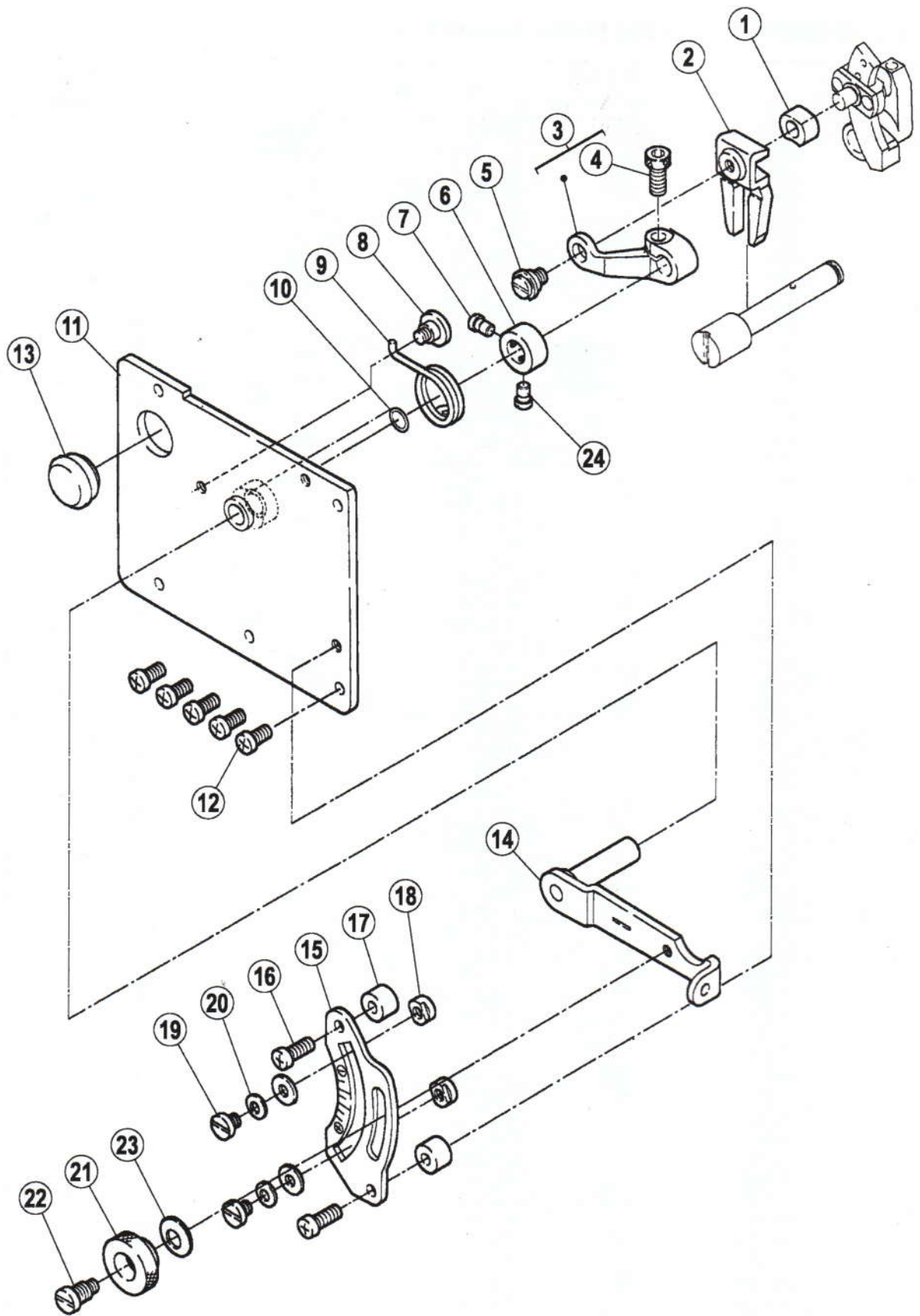
八、弯针部件 / Looper assemblies

| 序号 NO | 件号 Parts No. | 参考件号 Ref.Part.No. | 名称 | Description | 数量 Number |
|----------|-----------------|----------------------|--------------------|--------------------|--------------|
| 1 | 3011700900 | 257550-91 | 弯针 | looper | 1 |
| 2 | 30104012 | 252007 | 弯针架 | looper holder assy | 1 |
| 3 | S01004 | 7019 | 螺钉 M4 × 7.8 | screw | 1 |
| 4 | S05004 | 4501 | 螺钉 M5 × 14 | screw | 1 |
| 5 | W02001 | 303067 | 垫圈 5 | spring washer | 1 |
| 6 | S01014 | 7085 | 螺钉 M6 × 0.75 × 9.6 | screw | 1 |
| 7 | 20622019 | | 油封 | oil seal | 1 |
| 8 | 30102014 | 252006 | 弯针架轴 | shaft | 1 |
| 9 | 30110005 | 252000 | 摆架偏心轮 | eccentric assy | 1 |
| 10 | S10006 | 4539 | 螺钉 M5 × 6 | screw | 3 |
| 11 | 3010500800 | 252001-92 | 连杆组件 | connection assy | 1 |
| 12 | S01008 | 7015 | 螺钉 M3.5 × 13 | screw | 2 |
| 13 | 30109007 | 252010 | 平衡块 | balance weight | 1 |
| 14 | S01009 | 7011 | 螺钉 M3 × 7.5 | screw | 2 |
| 15 | 30104010 | 252002 | 弯针摆动架 | crank | 1 |
| 16 | 30128008 | 240102 | 摆架轴垫圈 | washer | 1 |
| 17 | 30102013 | 179399-05 | 连杆轴 | pin | 1 |
| 18 | 30128032 | 240062 | 垫圈 | washer | 1 |
| 19 | N01002 | 4805 | 螺母 M5 | nut | 1 |
| 20 | 30102015 | 252003 | 摆轴轧头 | block pin | 1 |
| 21 | 30128010 | 208028 | 垫圈 | washer | 1 |
| 22 | 30108002 | 208029 | 偏心挡圈 | collar | 1 |
| 23 | 301S12001 | 5084 | 曲柄螺钉 | screw | 1 |
| 24 | N01001 | 4802 | 螺母 M4 | nut | 2 |
| 25 | 30102012 | 252004 | 摆架轴 | shaft | 1 |
| 26 | H05001 | 205061 | 挡圈 10 | ring | 1 |



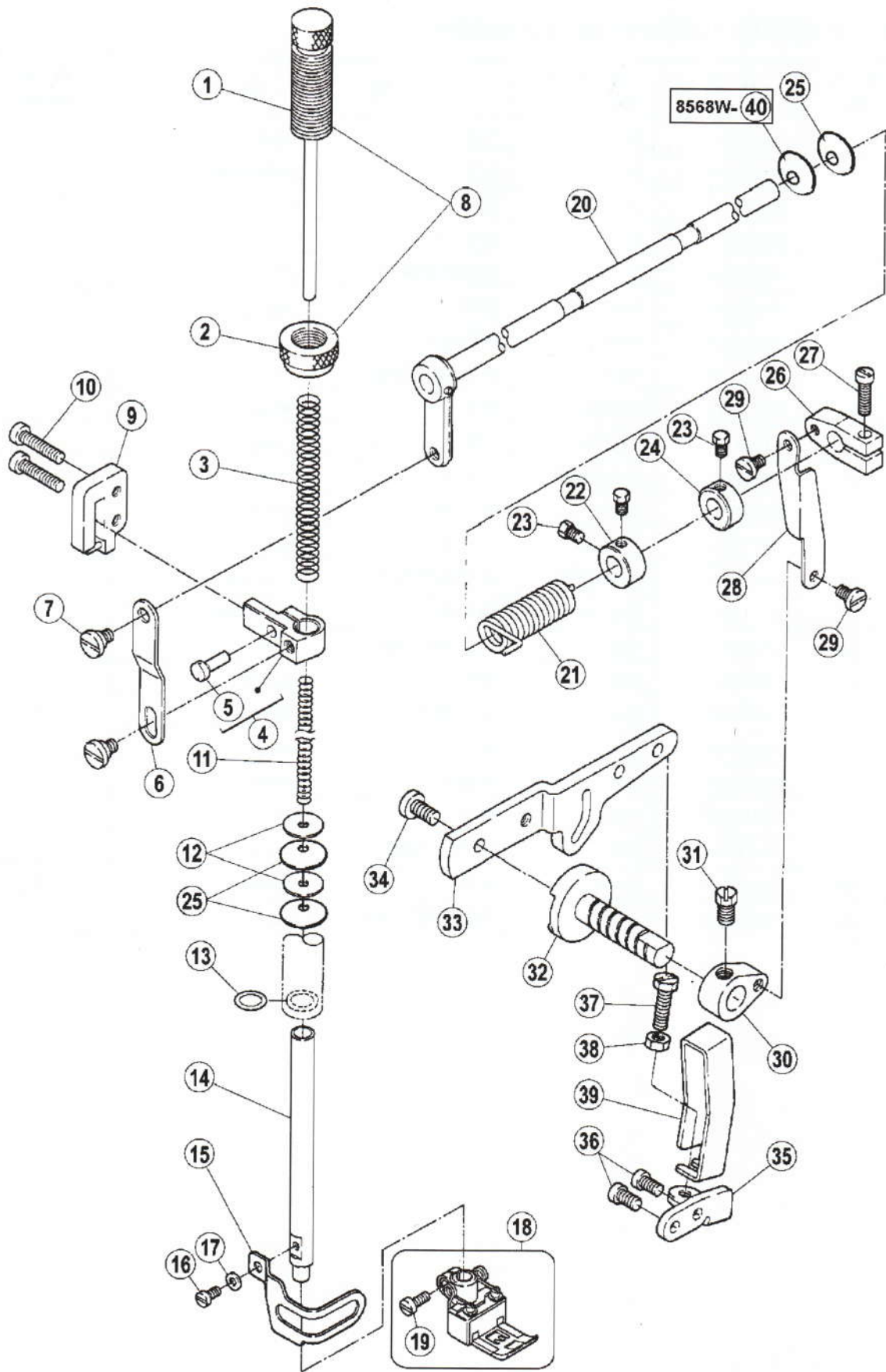
九、牙架部件 / Feed dog holder assemblies

| 序号 NO | 件号 Parts No. | 参考件号 Ref.Part.No. | 名称 | Description | 数量 Number |
|----------|-----------------|----------------------|-----------------|------------------------|--------------|
| 1 | 3011400700 | 257259-16F | 差动送布牙组件 | main feed dog assembly | 1 |
| 2 | 30114001 | | 356、364送布牙 | main feed dog | 1 |
| 3 | 301S30003 | 5590 | 差动送布牙螺钉 | screw | 2 |
| 4 | 3010600400 | 252500-91 | 差动送布牙架组件 | main feed bar assembly | 1 |
| 5 | 30114002 | | 356、364差动牙 | differential feed dog | 1 |
| 6 | 20123019 | 202175 | 油线 | oil wick | 1 |
| 7 | 30103022 | 204129A | 套筒 | bushing | 1 |
| 8 | S10006 | 4539 | 螺钉 M5 × 6 | screw | 4 |
| 9 | 30102016 | 204128A | 偏心轴 | eccentric pin | 1 |
| 10 | 301S12001 | 5084 | 曲柄螺钉 | screw | 1 |
| 11 | 30109008 | 205857 | 滑块 | block/feed bar guide | 1 |
| 12 | 30128011 | 204439A | 偏心垫 | washer | 1 |
| 13 | 301S17002 | 5317 | 偏心轴螺钉 | screw | 1 |
| 14 | 30109009 | 252504 | 牙架挡板 | guide(right) | 1 |
| 15 | 30103031 | 206571 | 差动轴后套筒 | bushing | 1 |
| 16 | 30109010 | 252507 | 左挡板 | guide(left) | 1 |
| 17 | L02003 | 7019 | 螺栓 M4 × 7 | screw | 2 |
| 18 | 30122020 | 206133 | 牙架油封 | oilshield | 2 |
| 19 | 30109011 | 252509 | 油封挡板 | cover | 1 |
| 20 | 30109012 | 252508 | 挡板 | guide(lower) | 1 |
| 21 | S01005 | 7020 | 螺钉 M4 × 10 | screw | 2 |
| 22 | B07002 | 206128 | 轴承 12 × 15 × 10 | needle bearing | 1 |
| 23 | 30109013 | 252519 | 抬牙滑块 | block | 1 |
| 24 | 30108003 | 252520 | 轴承挡圈 | washer | 1 |
| 25 | 30104013 | 206562 | 差动送布架 | link/main feed | 1 |
| 26 | B07003 | 206125 | 轴承 17 × 21 × 10 | needle bearing | 1 |
| 27 | 30103023 | 252521 | 偏心轴承套 | eccentric | 1 |
| 28 | 30103024 | 252522 | 送布调节器 | regulator | 1 |
| 29 | 3010306500 | 252523-91 | 调节器套 | eccentric retainer | 1 |
| 30 | 301S30004 | 252516 | 调节器螺钉 | screw | 1 |
| 31 | 30128012 | 240125 | 碟形垫圈 | spring | 5 |
| 32 | 30103026 | 252525 | 垫圈套 | spacer | 1 |
| 33 | 301S16001 | 252543 | 调节螺母 | nut | 1 |
| 34 | S10002 | 4514 | 螺钉 M5 × 5 | screw | 1 |
| 35 | 301S30005 | 206120 | 牙架螺钉 | screw | 1 |
| 36 | 30103027 | 206119 | 差动牙架套 | bushing | 1 |
| 37 | 30109014 | 206563 | 送布滑块 | guide block | 1 |
| 38 | 30128013 | 200098 | 垫片 | washer | 2 |
| 39 | 301S16002 | 3044 | 六角螺母 | nut | 1 |
| 40 | 301S30006 | 206123 | 差动牙架螺钉 | screw | 1 |
| 41 | 30103028 | 206566 | 差动连杆套 | bushing | 1 |
| 42 | 30129001 | 206565 | 开口挡圈 | ring | 1 |
| 43 | 30105010 | 206564 | 差动送布连杆 | link/differential feed | 1 |
| 44 | 30109015 | 251520 | 牙架挡板 | bracket | 1 |
| 45 | S01004 | 7019 | 螺钉 M4 × 7.8 | screw | 3 |
| 46 | 30102017 | 252526 | 针距调节按钮 | pin | 1 |
| 47 | 30127004 | 240122 | 针距调节簧 | spring | 1 |
| 48 | O01004 | 206366 | O型圈 4 × 1.8 | o ring | 1 |
| 49 | 30128032 | 204585 | 垫圈 | washer | 1 |
| 50 | H05003 | 200555 | 挡圈 5 | ring | 1 |
| 51 | 30103029 | 206569 | 差动送布架套 | pin | 1 |
| 52 | S12005 | 4546 | 螺钉 M4 × 4 | screw | 1 |
| 53 | 3010401500 | 252527-91 | 差动调整架组件 | crank | 1 |
| 54 | S01012 | 7031 | 螺钉 M2.5 × 4 | screw | 1 |
| 55 | 30102018 | 252510 | 差动轴 | shaft | 1 |
| 56 | S10002 | 4514 | 螺钉 M5 × 5 | screw | 1 |
| 57 | 30123005 | 207358 | 毛毡 | felt | 2 |
| 58 | 30103030 | 240119 | 差动轴前套筒 | spacer | 1 |
| 59 | 30126016 | | 针距调节按钮 | pin | 1 |
| 60 | 30127026 | | 针距调节簧 | spring | 1 |



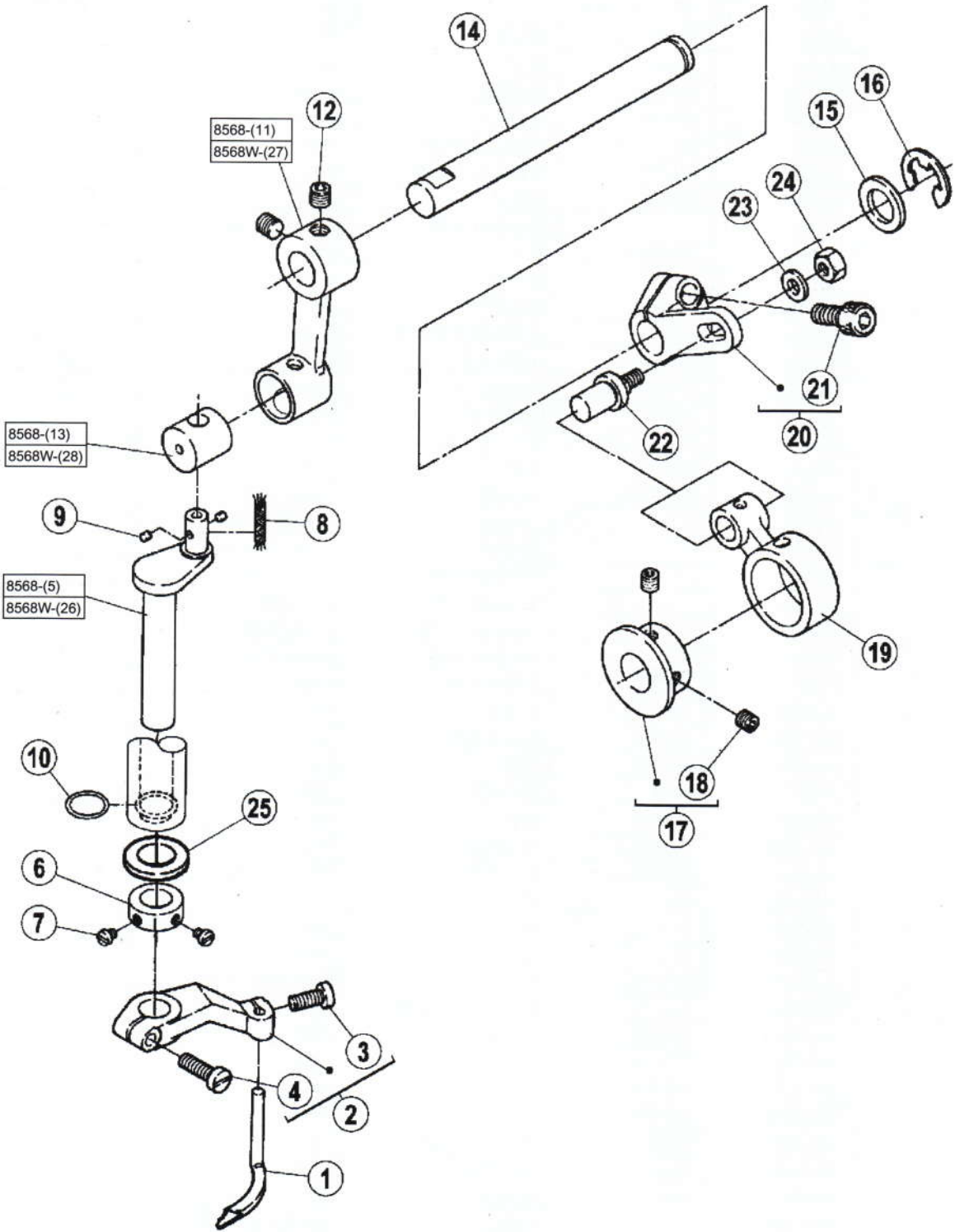
十、差动部件 / Differential assemblies

| 序号 NO | 件号 Parts No. | 参考件号 Ref.Part.No. | 名称 | Description | 数量 Number |
|----------|-----------------|----------------------|---------------|-------------|--------------|
| 1 | 30103032 | 252531 | 方套 | block | 1 |
| 2 | 30109016 | 252532 | 比叉 | guide/block | 1 |
| 3 | 30105012 | 252533 | 连杆 | lever | 1 |
| 4 | S05005 | 4531 | 螺钉 M5 × 12 | screw | 1 |
| 5 | 301S20006 | 5316 | 连杆连接螺钉 | screw | 1 |
| 6 | 30108004 | 240271 | 挡圈 | ring | 1 |
| 7 | 301S11007 | 1998-2 | 挡圈螺钉 | screw | 1 |
| 8 | 301S20001 | 7066 | 护罩座固定螺钉 | screw | 1 |
| 9 | 30127005 | 252536 | 弹簧 | spring | 1 |
| 10 | O01005 | 240129 | O型圈 7.5 × 1.8 | o ring | 1 |
| 11 | 3011201100 | 252539A91 | 左板组件 | bracket | 1 |
| 12 | S01004 | 7019 | 螺钉 M4 × 7.8 | screw | 5 |
| 13 | 30122021 | 240162 | 油封堵 | plug | 1 |
| 14 | 3011201300 | 252664-91 | 调节扳手组件 | lever assy | 1 |
| 15 | 30112015 | 252538 | 调节板 | scale plate | 1 |
| 16 | S01003 | 7021 | 螺钉 M4 × 12 | screw | 2 |
| 17 | 30203019 | 240124 | 调节套 | spacer | 2 |
| 18 | 20109005 | 210171 | 调节螺母 | stopper | 2 |
| 19 | 301S11008 | 2905 | 螺钉 | screw | 2 |
| 20 | W01006 | 201185 | 垫圈 4 | washer | 2 |
| 21 | 301S16004 | 210167 | 螺母 | nut | 1 |
| 22 | 301S30007 | 5486 | 调节扳手螺钉 | screw | 1 |
| 23 | 30128014 | 211301 | 垫圈 | washer | 1 |
| 24 | 301S11023 | | 挡圈螺钉 (短) | screw | 1 |



十一、压脚部件 / Presser form assemblies

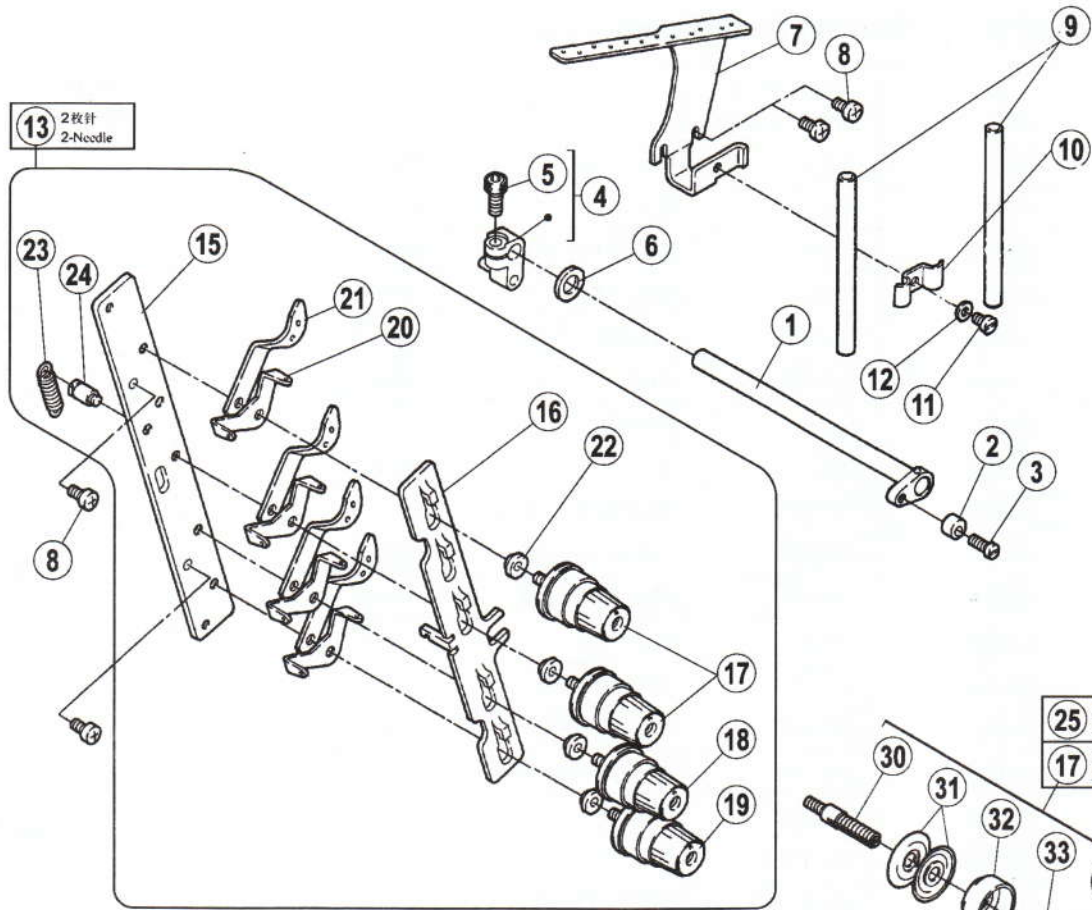
| 序号 NO | 件号 Parts No. | 参考件号 Ref.Part.No. | 名称 | Description | 数量 Number |
|----------|-----------------|----------------------|----------------|-------------------------------|--------------|
| 1 | 301S30008 | 253000-91 | 调压螺杆 | adjusting bar | 1 |
| 2 | 301S16005 | 253003 | 调节母 | nut | 1 |
| 3 | 30127006 | 240112 | 调压弹簧 | spring | 1 |
| 4 | 30104017 | 206139 | 压脚轧头 | presser bar clamp | 1 |
| 5 | S01003 | 301S11009 | 压脚轧头螺钉 M4 × 12 | screw | 1 |
| 6 | 30112016 | 206157 | 压脚轧头连接板 | link | 1 |
| 7 | 301S20007 | 5386 | 台螺钉 | screw | 2 |
| 8 | 3013002400 | | 调压螺杆组件 | adjusting bar assembly | 1 |
| 9 | 3010901700 | 253005-91 | 导块 | guide assy | 1 |
| 10 | S11025 | 7025 | 螺钉 M4 × 20 | screw | 2 |
| 11 | 30127008 | 240113 | 调压弹簧 | spring | 1 |
| 12 | 30122022 | 253018 | 压脚轴碟形密封圈 | oil guard | 2 |
| 13 | O01006 | 240095 | O型圈 8.5 × 1.8 | o ring | 1 |
| 14 | 30102020 | 253004 | 压脚轴 | presser bar | 1 |
| 15 | 30112017 | 253028 | 压脚护罩 | finger guard | 1 |
| 16 | S01006 | 7010 | 螺钉 M3 × 4.5 | screw | 1 |
| 17 | W01002 | 202875 | 垫圈 3 | washer | 1 |
| 18 | 30116020 | 257460-40 | 240压脚 | presser foot assy | 1 |
| | 3011601300 | | 356压脚 | presser foot assy | 1 |
| | 3011601400 | | 364压脚 | presser foot assy | 1 |
| | 30116005 | | 356压脚(02型) | presser foot assy | 1 |
| | 30116006 | | 364压脚(02型) | presser foot assy | 1 |
| | 30116003 | | 356压脚(052型) | presser foot assy | 1 |
| | 30116004 | | 364压脚(05型) | presser foot assy | 1 |
| 19 | 301S11010 | 1170-3 | 压脚固定螺钉 | screw | 1 |
| 20 | 30102021 | 253008-1 | 抬压轴 | lever | 1 |
| 21 | 30127009 | 253010 | 抬压轴簧 | spring | 1 |
| 22 | 30108005 | 206156 | 挡圈 | ring | 1 |
| 23 | 301S12001 | 5084 | 曲柄螺钉 | screw | 3 |
| 24 | 30108006 | 192024 | 挡圈 | ring | 1 |
| 25 | 30122023 | 253008-4 | 抬压轴油封 | plug | 3 |
| 26 | 30104019 | 206149 | 抬压曲柄I | bell crank (upper) | 1 |
| 27 | 301S11011 | 5187 | 抬压曲柄螺钉 | screw | 1 |
| 28 | 30112018 | 253011 | 抬压曲柄连接板 | link | 1 |
| 29 | 301S20008 | 5184 | 连接板螺钉 | screw | 2 |
| 30 | 30104020 | 206148 | 抬压曲柄II | bell crank(lower) | 1 |
| 31 | 301S20013 | Apr-22 | 抬压曲柄II固定螺钉 | screw | 1 |
| 32 | 30102022 | 253013 | 抬压轴 | shaft | 1 |
| 33 | 30112019 | 253014 | 抬压轴扳手 | lever | 1 |
| 34 | S01011 | 7028 | 螺钉 M5 × 10 | screw | 1 |
| 35 | 30112020 | 253015 | 抬压曲柄座 | bracket | 1 |
| 36 | S01004 | 7019 | 螺钉 M4 × 7.8 | screw | 2 |
| 37 | S01016 | 4549 | 螺钉 M5 × 17 | screw | 1 |
| 38 | N01002 | 4805 | 螺母 M5 | nut | 1 |
| 39 | 30211006 | | 护罩 | guard/presser foot lift lever | 1 |
| 40 | 30122041 | | 油封 | Oil seal | 1 |



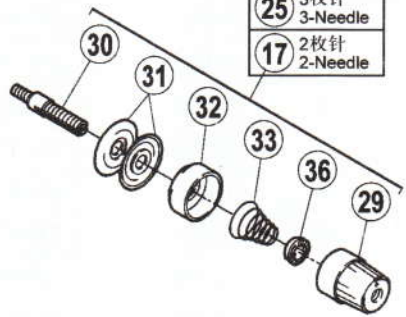
十二、喂针部件 / Needle feeding assemblies

| 序号 NO | 件号 Parts No. | 参考件号 Ref.Part.No. | 名称 | Description | 数量 Number |
|----------|-----------------|----------------------|---------------------|----------------|--------------|
| 1 | 30117005 | 257565 | 喂针 | spreader | 1 |
| 2 | 30104022 | 254516 | 喂针架 | lever/assy | 1 |
| 3 | S01005 | 7020 | 螺钉 M4 × 10 | screw | 1 |
| 4 | S01017 | 7022 | 螺钉 M4 × 14 | screw | 1 |
| 5 | 30102023 | 254508 | 摆动轴 | crankshaft | 1 |
| 6 | 30108007 | 212039 | 挡圈 | collar | 1 |
| 7 | 201S11033 | S071 | 挡圈螺钉 | screw | 2 |
| 8 | 20123019 | 202176 | 油线 | oil wick | 1 |
| 9 | 30123008 | 207925 | 摆动轴油孔毛毡 | felt | 2 |
| 10 | O01008 | 233020 | O型圈 9 × 1.8 | o ring | 1 |
| 11 | 30105013 | 254506 | 喂针摆动连杆 | crank | 1 |
| 12 | S10003 | 4547 | 螺钉 M6 × 0.75 × 5 | screw | 2 |
| 13 | 30126005 | 254507 | 喂针摆动销 | block | 1 |
| 14 | 30102024 | 254519 | 摆动连杆轴 | shaft | 1 |
| 15 | 30128015 | 206180 | 摆动连杆轴垫圈 | washer | 1 |
| 16 | H05004 | 306671 | 挡圈12 | ring | 1 |
| 17 | 30110007 | 254501A | 喂针凸轮 | eccentric assy | 1 |
| 18 | S10002 | 4514 | 螺钉 M5 × 5 | screw | 2 |
| 19 | 30105014 | 254511 | 喂针连杆 | connection | 1 |
| 20 | 30104024 | 254503 | 喂针摆动曲柄 | crank | 1 |
| 21 | S05002 | 4534 | 螺钉 M6 × 0.75 × 15.2 | screw | 1 |
| 22 | 30126006 | 254504 | 连杆销 | screw | 1 |
| 23 | 30128032 | 240062 | 垫圈 | washer | 1 |
| 24 | N01002 | 4805 | 螺母 M5 | nut | 1 |
| 25 | 30128018 | | 垫圈 | washer | 1 |
| 26 | 30102070 | | 摆动轴 | crankshaft | 1 |
| 27 | 30105021 | | 摆动连杆 | crank | 1 |
| 28 | 30126022 | | 喂针摆动销 | block | 1 |

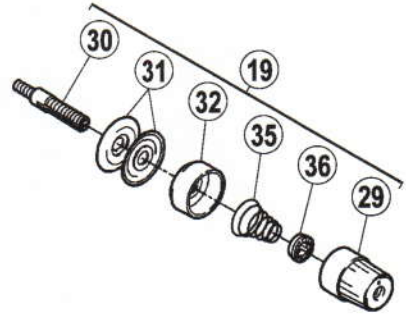
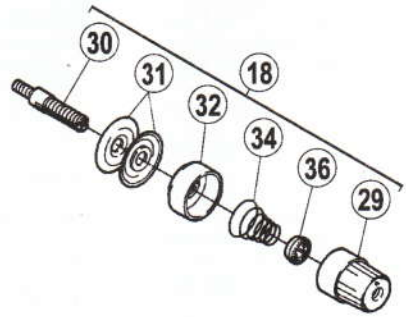
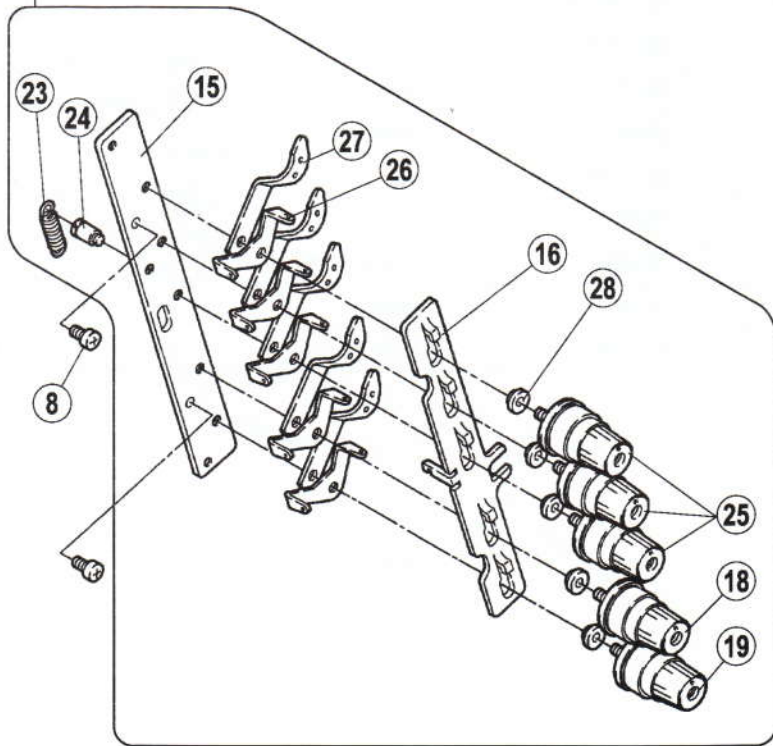
13 2枚針
2-Needle



25 3枚針
3-Needle
17 2枚針
2-Needle



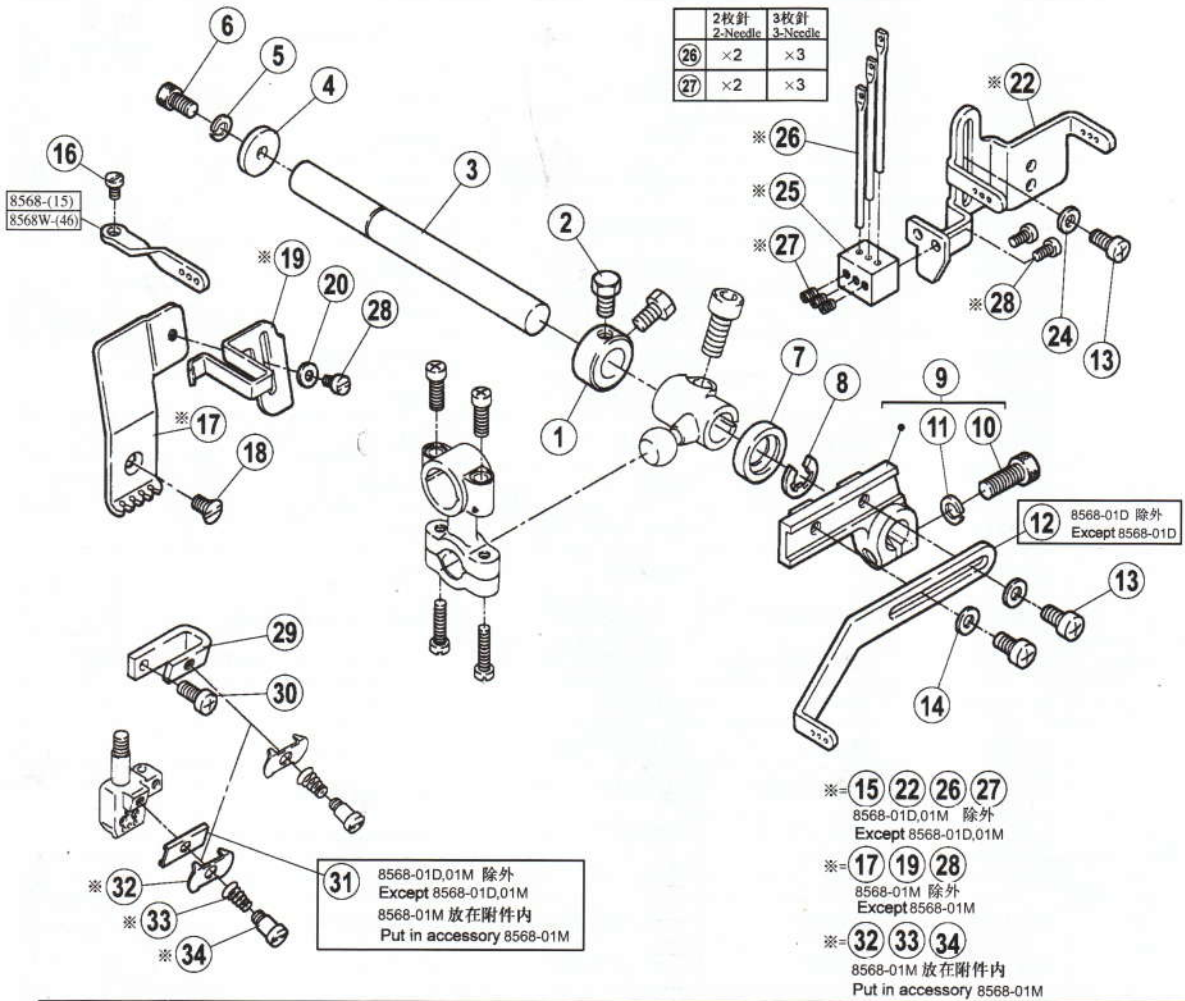
14 3枚針
3-Needle



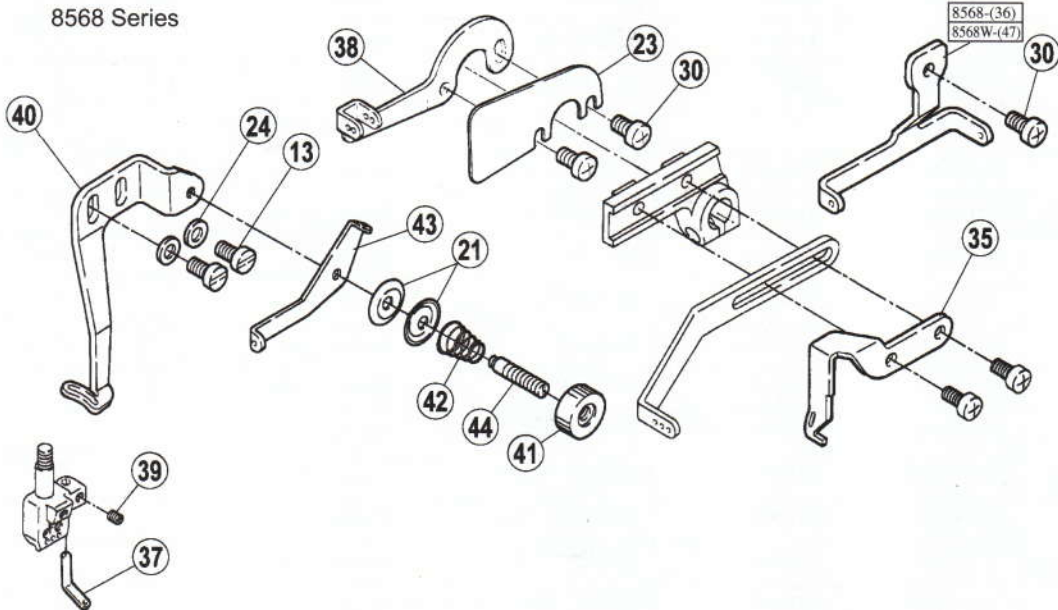
十三、松线部件 / Thread loosening assemblies

| 序号 NO | 件号 Parts No. | 参考件号 Ref.Part.No. | 名称 | Description | 数量 Number |
|----------|-----------------|----------------------|-------------|---------------------------|--------------|
| 1 | 3010403200 | 254000-91 | 松线曲柄II | lever | 1 |
| 2 | 30103040 | 254022 | 轴套 | spacer | 1 |
| 3 | 301S11013 | Jan-33 | 轴套紧固定螺钉 | screw | 1 |
| 4 | 3010403100 | 254003B91 | 松线曲柄I | crank | 1 |
| 5 | S05005 | 4531 | 螺钉 M5 × 12 | screw | 1 |
| 6 | W01010 | 202868 | 垫圈 8 | washer | 1 |
| 7 | 30113001 | 254008 | 过线架 | thread guide | 1 |
| 8 | S01004 | 7019 | 螺钉 M4 × 7.8 | screw | 4 |
| 9 | 30102026 | 192120 | 夹线柱 | pipe | 2 |
| 10 | 30112021 | 254009 | 压板 | bracket | 1 |
| 11 | S01002 | 7017 | 螺钉 M4 × 6.5 | screw | 1 |
| 12 | W01001 | | 垫圈 4 | washer | 1 |
| 13 | 3011300300 | 254023C9U | 二针过线组件 | tension control mechanism | 1 |
| 14 | 3011300200 | 254023E9U | 三针过线组件 | tension control mechanism | 1 |
| 15 | 30113003 | 254019 | 过线板 | bracket | 1 |
| 16 | 30112022 | 244021 | 过线调节板 | thread releaser | 1 |
| 17 | 3011300400 | 254010A9U | 调线组件 (弱) | tension spring assy | 2 |
| 18 | 3011300500 | 254010B9U | 调线组件 (中) | tension spring assy | 1 |
| 19 | 3011300600 | 254212C9U | 调线组件 (强) | tension spring assy | 1 |
| 20 | 30113007 | 254020 | 二孔过线板I | thread guide | 4 |
| 21 | 30113008 | 206203 | 二孔过线板II | thread guide | 4 |
| 22 | 30103041 | 206202 | 调节套 | spacer | 4 |
| 23 | 30127010 | 306301 | 调节板簧 | spring | 1 |
| 24 | 301S30009 | 5447 | 调节板螺钉 | screw | 1 |
| 25 | 3011300400 | | 调线组件 (弱) | tension spring assy | 3 |
| 26 | 30113007 | 254020 | 二孔过线板I | thread guide | 5 |
| 27 | 30113008 | 206203 | 二孔过线板II | thread guide | 5 |
| 28 | 30103041 | 206202 | 调节套 | spacer | 5 |
| 29 | 301S16006 | 208447-UA | 调压螺母 | knob | 1 |
| 30 | 301S30010 | 1817-2A | 夹线杆 | screw stud | 1 |
| 31 | 30128016 | 210319 | 夹线片 | tension disc | 2 |
| 32 | 30111005 | 208450-UA | 调压止动盖 | spring shield | 1 |
| 33 | 30127011 | 201037 | 调压簧 (强) | spring (heavy) | 3 |
| 34 | 30127012 | 201086 | 调压簧 (中) | spring (medium) | 1 |
| 35 | 30127013 | 201068 | 调压簧 (弱) | spring (light) | 1 |
| 36 | 30111006 | 208448 | 调压止动套 | ratchet | 1 |

| | 2枚針 2-Needle | 3枚針 3-Needle |
|-----|-----------------|-----------------|
| ※26 | ×2 | ×3 |
| ※27 | ×2 | ×3 |

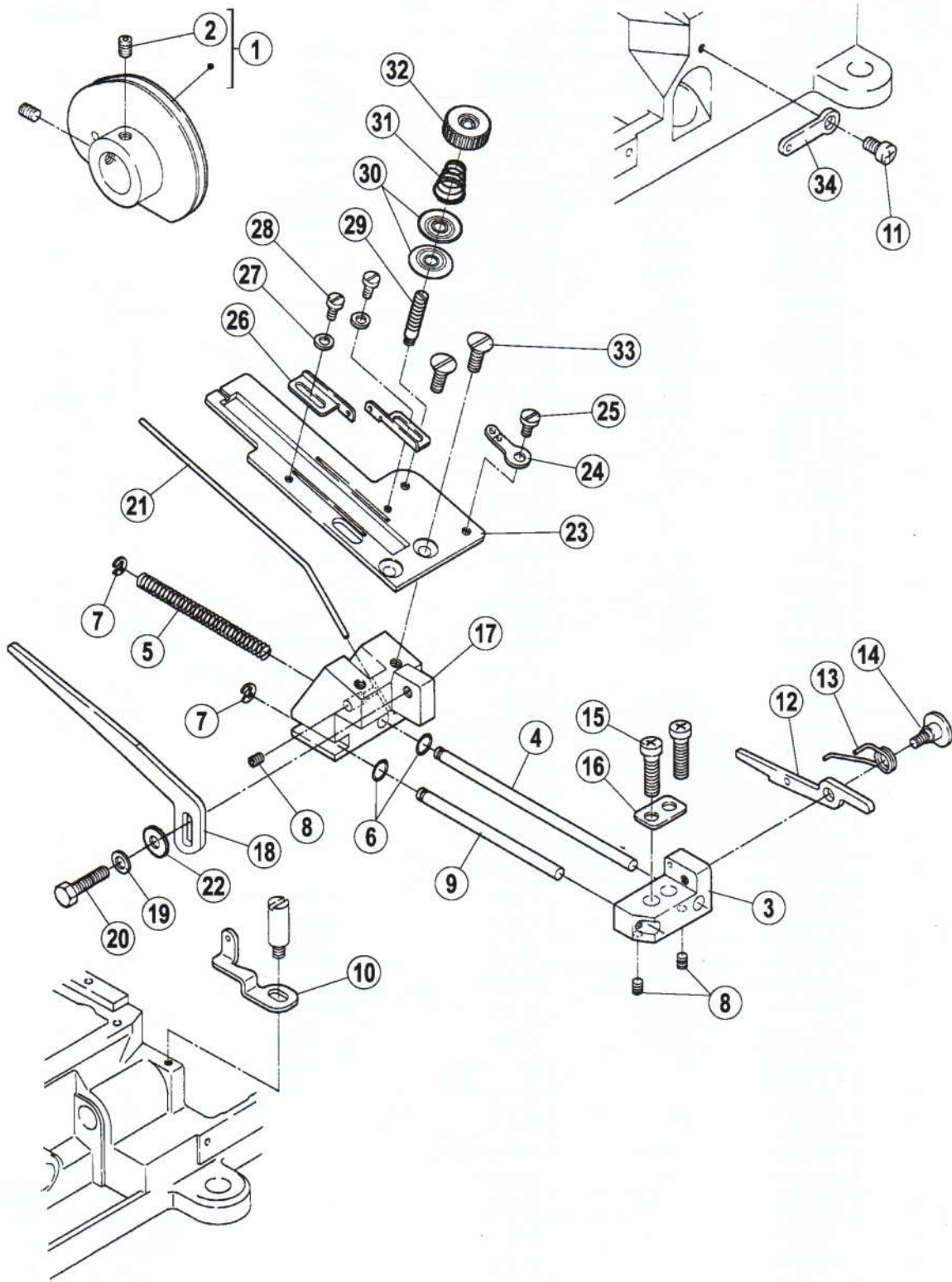


8568 Series



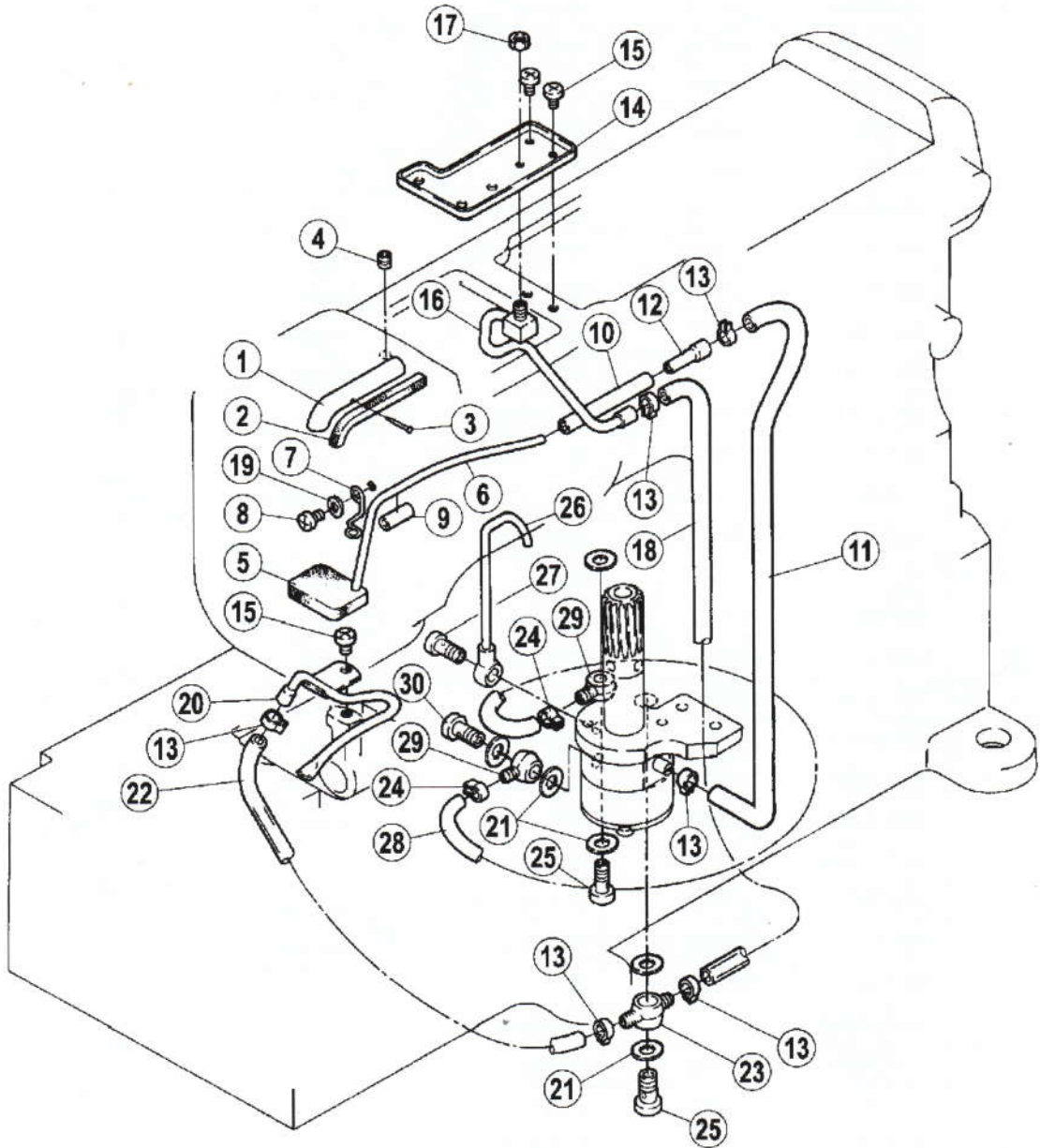
十四、过线部件 / Thread loosing assemblies

| 序号 NO | 件号 Parts No. | 参考件号 Ref.Part.No. | 名称 | Description | 数量 Number |
|----------|-----------------|----------------------|-------------|-----------------------------|--------------|
| 1 | 20608003 | 240201 | 挡圈 | ring | 1 |
| 2 | 301S12001 | 5084 | 曲柄螺钉 | screw | 2 |
| 3 | 30102028 | 253503 | 过线座轴 (中轴) | shaft | 1 |
| 4 | 30128019 | 204107 | 垫片 | washer | 1 |
| 5 | W02002 | 201252 | 垫圈 4 | washer | 1 |
| 6 | S05048 | 4527 | 螺钉M4 × 10 | screw | 1 |
| 7 | 20622019 | | 油封 | plug | 1 |
| 8 | H05001 | 205061 | 挡圈 10 | ring | 1 |
| 9 | 30101018 | 253504 | 过线座 | lever | 1 |
| 10 | S05004 | 4501 | 螺钉 M5 × 14 | screw | 1 |
| 11 | W02001 | 303067 | 垫圈 5 | washer | 1 |
| 12 | 30113009 | 253505A | 长过线板 | thread take-up | 1 |
| 13 | S01004 | 7019 | 螺钉 M4 × 7.8 | screw | 5 |
| 14 | W01001 | 303448 | 垫圈 4 | washer | 2 |
| 15 | 30113010 | 253507 | 三孔过线 | thread guide | 1 |
| 16 | S01006 | 7009 | 螺钉 M3 × 4.5 | screw | 1 |
| 17 | 30113011 | 253508A | 过线板 | thread guide | 1 |
| 18 | 206S30016 | 7170 | 螺钉 | screw | 1 |
| 19 | 30112023 | 253509A | 护线罩 | thread support | 1 |
| 20 | 30128034 | 202588 | 垫圈 | washer | 1 |
| 21 | S01006 | 137108 | 螺钉 M3 × 4.5 | screw | 1 |
| 22 | 30112027 | 253544 | 硅油盒固定架 | thread guide | 1 |
| 23 | 30112086 | | 过线挡板 | guard(thread take-up lever) | 1 |
| 24 | W01001 | 303448 | 垫圈 4 | washer | 3 |
| 25 | 30113012 | 253545 | 针杆过线座 | holder | 1 |
| 26 | 30113013 | 234521 | 过线杆 | thread guide | 3 |
| 27 | S10001 | 4535 | 螺钉 M3 × 4 | screw | 3 |
| 28 | S01006 | 7009 | 螺钉 M3 × 4.5 | screw | 2 |
| 29 | 30112024 | 253516 | U形夹线座 | thread tension bracket | 1 |
| 30 | S01001 | 7018 | 螺钉 M4 × 7 | screw | 4 |
| 31 | 30112025 | 234561 | 夹线板 | thread guide | 1 |
| 32 | 30112026 | 253593 | 压线板 | thread retainer | 1 |
| 33 | 30127014 | 253517 | 调压簧 | spring | 1 |
| 34 | 301S20009 | W09070-2 | 调线螺钉 | screw | 1 |
| 35 | 30112028 | 353506 | 长过线压板 | thread take-up | 1 |
| 36 | 30112030 | 253515 | 过线板 | thread guide | 1 |
| 37 | 30112033 | 253511 | 喂针小过线 | thread guide | 1 |
| 38 | 30112029 | 253514 | 喂针过线 | thread guide | 1 |
| 39 | S10005 | 4554 | 螺钉 M3 × 3 | screw | 1 |
| 40 | 30112031 | 253548 | 喂针过线板 | thread guide | 1 |
| 41 | 301S16007 | 5526 | 夹线螺母 | knob | 1 |
| 42 | 30127016 | 211388 | 夹线簧 | spring | 1 |
| 43 | 30112032 | 253547 | 喂针二眼过线 | thread guide | 1 |
| 44 | 301S30011 | 5387 | 调压螺钉 | screw | 1 |
| 45 | 20112033 | 137108 | 夹线片 | thread retainer | 2 |
| 46 | 30113033 | | 三孔过线 | thread guide | 1 |
| 47 | 30313001 | | 过线板 | thread guide | 1 |



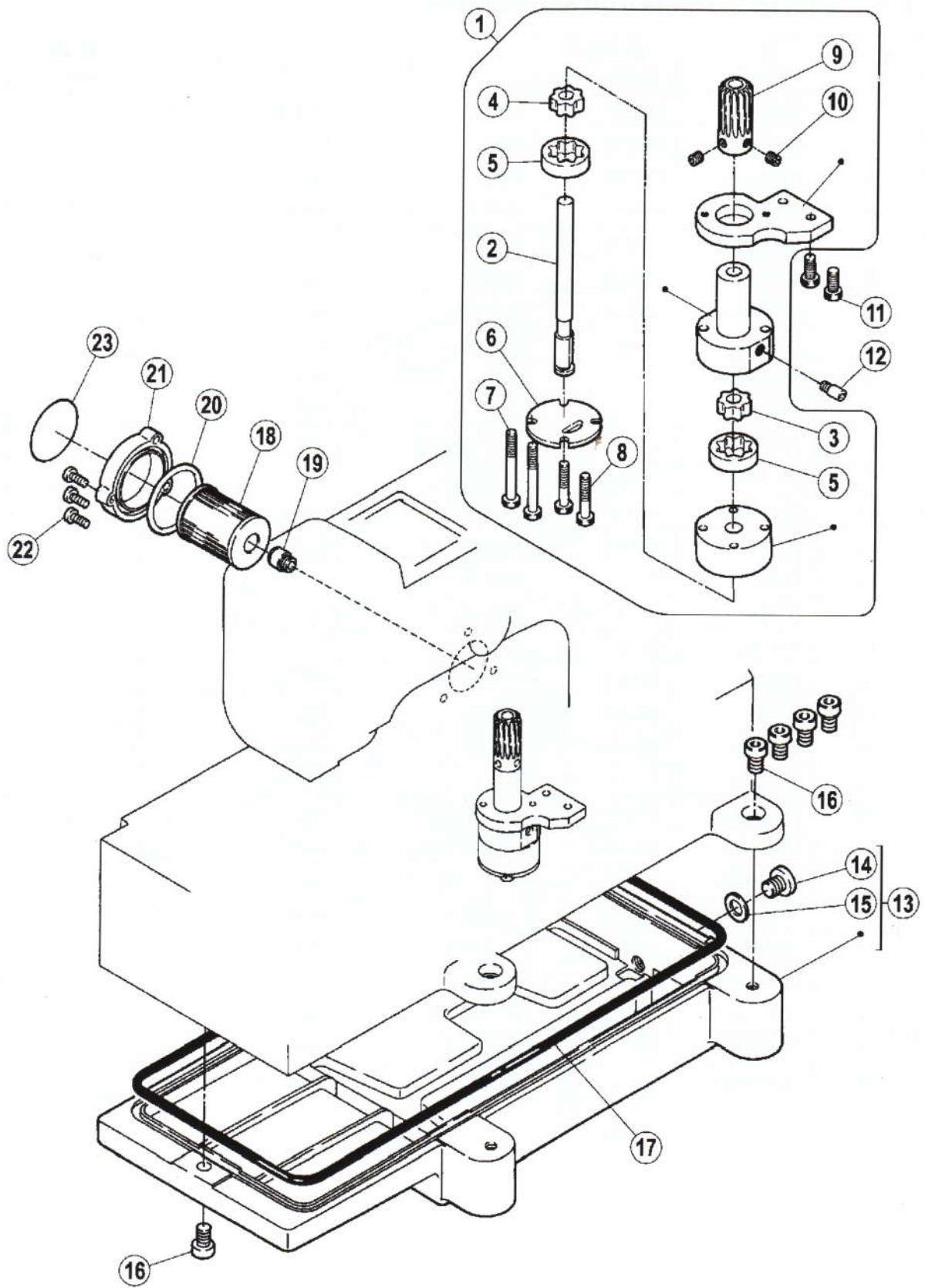
十五、打线凸轮部件 / Cam assemblies assemblies

| 序号 NO | 件号 Parts No. | 参考件号 Ref.Part.No. | 名称 | Description | 数量 Number |
|----------|-----------------|----------------------|---------------|-----------------|--------------|
| 1 | 3011000800 | 253608-91 | 打线凸轮组件 | thread take-up | 1 |
| 2 | S10002 | 4514 | 螺钉 M5 × 5 | screw | 2 |
| 3 | 30101020 | 210353 | 滑杆座 | bracket | 1 |
| 4 | 30102029 | 253525 | 滑杆轴I | shaft | 1 |
| 5 | 30127017 | 240115 | 弹簧 | spring | 1 |
| 6 | O01009 | 303865 | O型圈 4.5 × 1.8 | o ring | 2 |
| 7 | H05003 | 200555 | 挡圈 5 | collar | 2 |
| 8 | S10005 | 4554 | 螺钉 M3 × 3 | screw | 3 |
| 9 | 30102030 | 253526 | 滑杆轴II | shaft | 1 |
| 10 | 30113017 | 253615 | 弯针过线架 | thread guide | 1 |
| 11 | S01001 | 7018 | 螺钉 M4 × 7 | screw | 1 |
| 12 | 30112038 | 253527 | 扳手 | stopper | 1 |
| 13 | 30127018 | 253528 | 弹簧 | spring | 1 |
| 14 | 301S20010 | 7087 | 扳手螺钉 | screw | 1 |
| 15 | S01007 | 7023 | 螺钉 M4 × 13.5 | screw | 2 |
| 16 | 30128023 | 210955A | 垫片 | washer | 1 |
| 17 | 30101019 | 253612 | 打线架座 | bracket | 1 |
| 18 | 30112037 | 253614 | 打线片 | thread guide | 1 |
| 19 | W02002 | 201252 | 垫圈 4 | washer | 1 |
| 20 | L02002 | 4325 | 螺钉 M4 × 10 | screw | 1 |
| 21 | 30112036 | 253613 | 挡线片 | thread support | 1 |
| 22 | 30128019 | 204107 | 垫片 | washer | 1 |
| 23 | 30112035 | 253611 | 打线架 | bracket | 1 |
| 24 | 20613008 | 210353 | 过线 | thread guide | 1 |
| 25 | 301S11014 | 2921 | 过线螺钉 | screw | 1 |
| 26 | 30113014 | 253533A | 打线架过线 | thread guide | 2 |
| 27 | W01012 | 210585 | 垫圈 2.5 | washer | 2 |
| 28 | S01012 | 7031 | 螺钉 M2.5 × 4 | screw | 2 |
| 29 | 301S30011 | 5387 | 调压螺钉 | screw | 1 |
| 30 | 20112033 | 137108 | 小夹线片 | thread retainer | 2 |
| 31 | 30127016 | 211388 | 夹线簧 | spring | 1 |
| 32 | 301S16007 | 5526 | 夹线螺母 | knob | 1 |
| 33 | S02001 | 7043 | 螺钉 M4 × 6 | screw | 2 |
| 34 | 30113016 | 253536 | 过线 | thread guide | 1 |



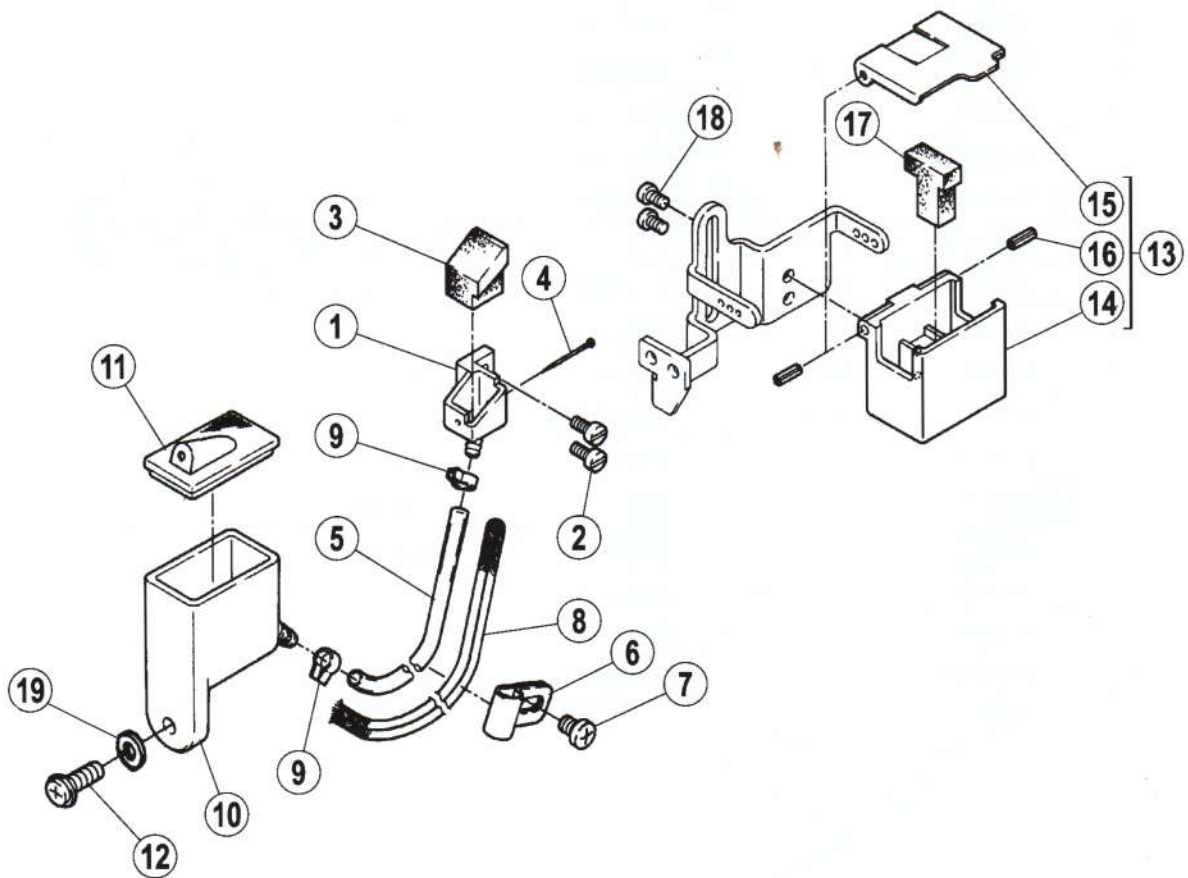
十六、润滑部件 / Lubrication assemblies

| 序号 NO | 件号 Parts No. | 参考件号 Ref.Part.No. | 名称 | Description | 数量 Number |
|----------|-----------------|----------------------|-------------|-----------------|--------------|
| 1 | 30121012 | 255003 | 铜油管 | oil pipe | 1 |
| 2 | 30123010 | 240136 | 油毡 | felt | 1 |
| 3 | 30126008 | 210766 | 销钉 | pin | 1 |
| 4 | S10002 | 4514 | 螺钉 M5 × 5 | screw | 1 |
| 5 | 30123009 | 255021 | 油毡 | felt | 1 |
| 6 | 3012101400 | 255039 | 细油管 | pipe | 1 |
| 7 | 30127019 | 200136 | 压簧 | latch | 1 |
| 8 | S01004 | 255005 | 螺钉 M4 × 7.8 | screw | 1 |
| 9 | 30121007 | 240143 | 油管 | tube | 1 |
| 10 | 30121005 | 240144 | 油管 | tube | 1 |
| 11 | 30121018 | 240135 | Ø4 × Ø6油管 | tube | 1 |
| 12 | 30136002 | 255038 | 油管接头 | joint | 1 |
| 13 | 20129002 | 202199 | 油管卡簧 | clamp | 6 |
| 14 | 30112039 | 255006 | 接油盘 | oil guard | 1 |
| 15 | S01002 | 7017 | 螺钉 M4 × 6.5 | screw | 3 |
| 16 | 3012101500 | 255007-91 | 喷油管 | oil distributor | 1 |
| 17 | N01001 | 4821 | 螺母 M4 | nut | 1 |
| 18 | 30121010 | 240134 | Ø4 × Ø6油管 | tube | 1 |
| 19 | W01001 | 303448 | 垫圈 4 | ring | 1 |
| 20 | 30121009 | 255010-91 | 喷油管 | oil distributor | 1 |
| 21 | 20122033 | | 纸片 | washer | 6 |
| 22 | 30121008 | 240270 | Ø4 × Ø6油管 | tube | 1 |
| 23 | 30136004 | 200136 | 双头油管接头 | joint | 1 |
| 24 | 30129006 | 202199 | 油管卡簧 (大) | clamp | 2 |
| 25 | 301S30013 | 200152 | 过油螺钉 | joint screw | 2 |
| 26 | 30136003 | 255035-91 | 铜油管接头 | pipe | 1 |
| 27 | 301S30012 | 255037 | 油管螺钉 | screw | 1 |
| 28 | 30121017 | 205113A | Ø5 × Ø7油管 | tube | 1 |
| 29 | 30136001 | 200136 | 油管接头 | joint | 2 |
| 30 | 201S30004 | 200152 | 过油螺钉 | joint screw | 1 |



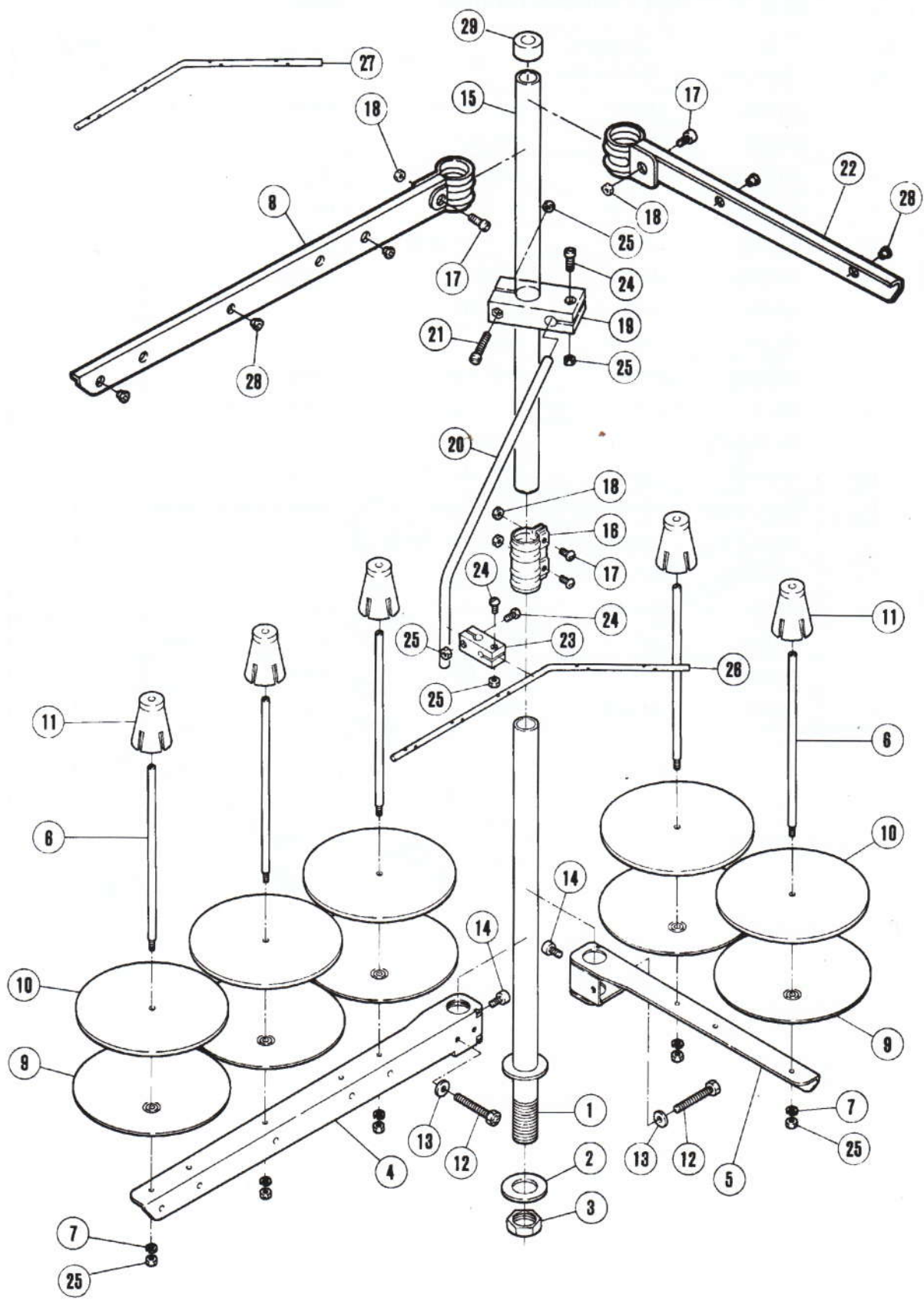
十七、油泵部件 / Oil pump assemblies

| 序号 NO | 件号 Parts No. | 参考件号 Ref.Part.No. | 名称 | Description | 数量 Number |
|----------|-----------------|----------------------|-----------------|------------------------|--------------|
| 1 | 3012000100 | 255040-91 | 油泵组件 | oil pump assy | 1 |
| 2 | 30102031 | 255024 | 油泵轴 | shaft | 1 |
| 3 | 30120004 | 255025 | 五星轮 | rotor | 1 |
| 4 | 30120007 | 255026 | 五星轮 | rotor | 1 |
| 5 | 30120005 | 255027 | 五星套 | rotor | 2 |
| 6 | 30120008 | 255028 | 油泵盖 | cover | 1 |
| 7 | 301S20011 | 7105 | 油泵螺钉 | screw | 2 |
| 8 | S05006 | 7026 | 螺钉 M4 × 25 | screw | 2 |
| 9 | 30125003 | 255019 | 油泵蜗轮 | worm wheel | 1 |
| 10 | S10002 | 4514 | 螺钉 M5 × 5 | screw | 2 |
| 11 | S05004 | 4501 | 螺钉 M5 × 14 | screw | 2 |
| 12 | 301S30014 | | 过油螺钉 | joint screw | 1 |
| 13 | 30101023 | 255000 | 油盘 | oil reservoir | 1 |
| 14 | 301S11015 | 5138B | 堵油螺钉 | screw | 1 |
| 15 | 20528014 | 202287A | 垫圈 | washer | 1 |
| 16 | S05007 | 4504 | 螺钉 M8 × 20 | screw | 5 |
| 17 | 30122025 | 255001 | 油盘密封圈 | o ring | 1 |
| 18 | 20136001 | 206233 | 滤油器 | filter element | 1 |
| 19 | 301S30016 | 210200 | 螺钉 | bracket/filter element | 1 |
| 20 | O01010 | 206431 | O型圈 38.7 × 3.55 | o ring | 1 |
| 21 | 300140 | 210201-SD | 滤油器盖 | cover | 1 |
| 22 | S01003 | 7021 | 螺钉 M4 × 12 | screw | 3 |
| 23 | 30131004 | 9A3002 | 提示说明 | filter seal | 1 |



十八、硅油盒装置部件 / Silicon oil delice assmblies

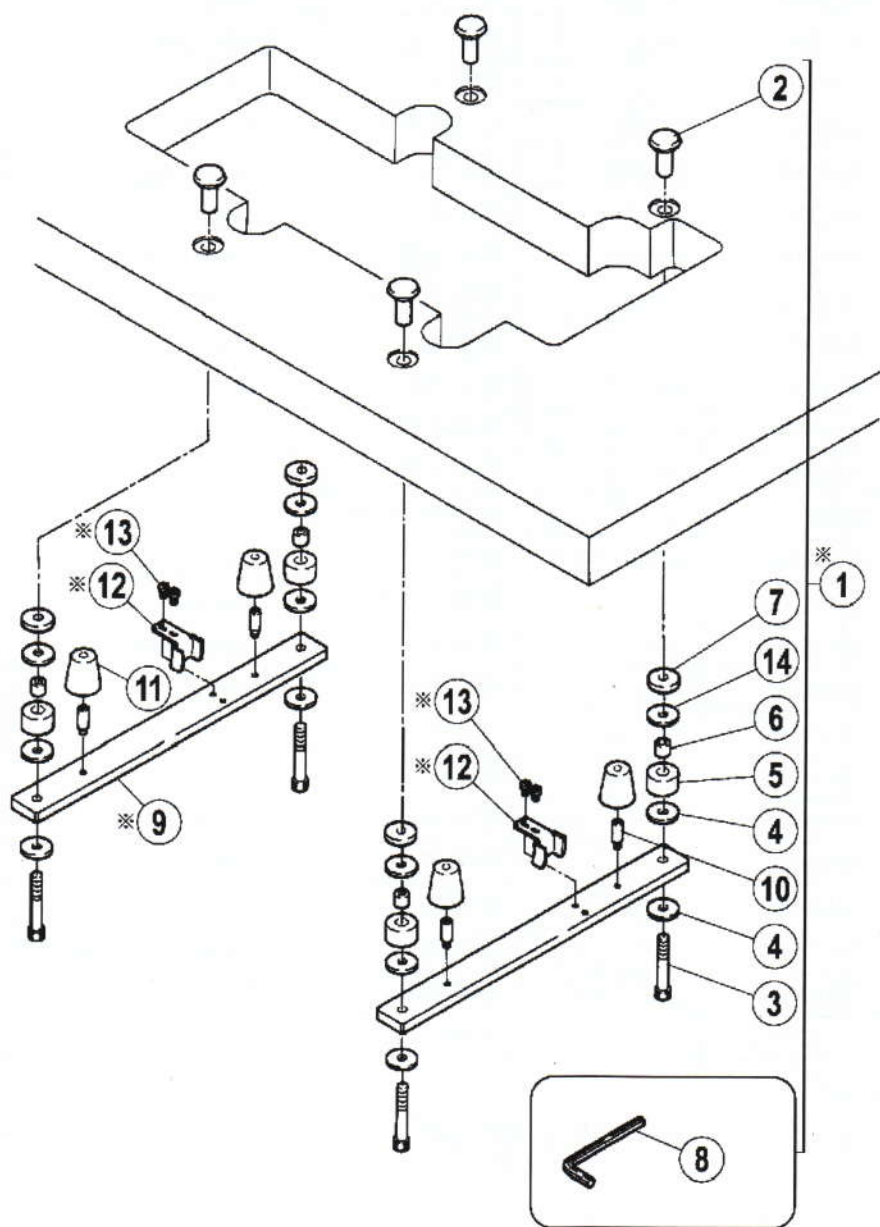
| 序号 NO | 件号 Parts No. | 参考件号 Ref.Part.No. | 名称 | Description | 数量 Number |
|----------|-----------------|----------------------|-------------|-----------------------------------|--------------|
| 1 | 30101027 | 255013 | 机针冷却器 | needle cooler (lower) | 1 |
| 2 | S01015 | 7010 | 螺钉 M3 × 5 | screw | 2 |
| 3 | 30123012 | 255014 | 油棉 | felt | 1 |
| 4 | 30126009 | 210766 | 销 | pin | 1 |
| 5 | 30121017 | 240117 | Φ5 × Φ7油管 | tube | 1 |
| 6 | 30127020 | 206115 | 油管压簧片 | bracket | 1 |
| 7 | S01004 | 7019 | 螺钉 M4 × 8 | screw | 1 |
| 8 | 30123015 | 202175 | 油线 | oil wick | 1 |
| 9 | 30129006 | 202199 | 油管卡簧 (大) | clamp | 2 |
| 10 | 30101026 | 255015 | 下硅油盒 | silicone oil reservoir(lower) | 1 |
| 11 | 30122026 | 255016 | 下硅油盒盖 | cap | 1 |
| 12 | S01005 | 7020 | 螺钉 M4 × 10 | screw | 1 |
| 13 | 3010102400 | 207065-9U | 硅油盒组件 | silicone oil reservoir(upper)assy | 1 |
| 14 | 300141 | 207066-UD | 上硅油盒 (喷漆) | silicone oil reservoir(upper) | 1 |
| 15 | 30112040 | 207067-UD | 硅油盒盖 | cap | 1 |
| 16 | P03008 | 206781 | 销 2 × 6 | pin | 2 |
| 17 | 30123011 | 207068 | 硅油棉 | felt | 1 |
| 18 | S01006 | 7009 | 螺钉 M3 × 4.5 | screw | 2 |
| 19 | W01001 | 303448 | 垫圈 4 | washer | 1 |



十九、线架部件 / Thread apool asscmlies

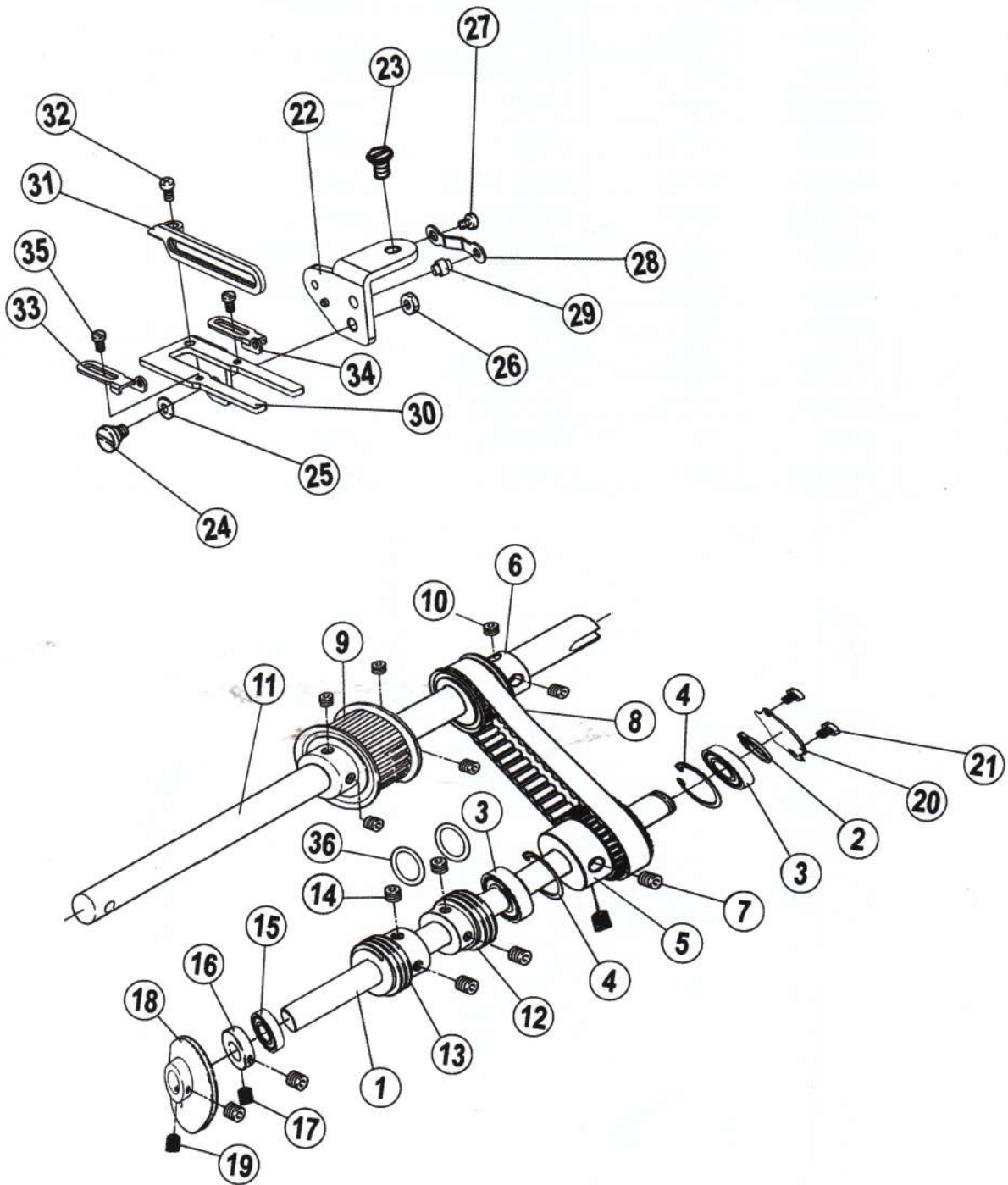
| 序号 NO | 件号 Parts No. | 参考件号 Ref.Part.No. | 名称 | Description | 数量 Number |
|----------|-----------------|----------------------|--------------|---------------------------|--------------|
| 1 | 30102032 | 503-SA | 线架下棒 | thread bar(loer) | 1 |
| 2 | 30128024 | 509 | 垫圈 | washer | 2 |
| 3 | N02001 | 5476 | 螺母 M6 × 0.75 | screw | 1 |
| 4 | 30101028 | 505SA | 长线架 | bracket(3-spool) | 1 |
| 5 | 30101029 | 505SA | 短线架 | bracket(3-spool) | 1 |
| 6 | 30102033 | 380A | 线棒 | spool pin | 5 |
| 7 | W02002 | 201252 | 垫圈 4 | washer | 5 |
| 8 | 30101030 | 527-SA | 长过线架 | bracket(3-spool) | 1 |
| 9 | 30111007 | 381-SA | 托盘垫 | spool tray | 5 |
| 10 | 30123014 | 507 | 线托盘 | cushon | 5 |
| 11 | 30103044 | 382-SA | 线固定套 | spool retaining fin | 5 |
| 12 | L02004 | 7102 | 螺钉 M6 × 34 | screw | 2 |
| 13 | W01003 | 512 | 垫圈 6 | washer | 2 |
| 14 | S04001 | 4022 | 螺钉 M6 × 10 | screw | 2 |
| 15 | 30102034 | 502-SA | 线架上棒 | thread bar(upper) | 1 |
| 16 | 30129005 | 504-SA | 锁紧卡固 | joint | 1 |
| 17 | S04002 | 4021 | 螺钉 M5 × 16 | screw | 4 |
| 18 | N01004 | 4805 | 螺母 M5 | nut | 4 |
| 19 | 30111008 | 383-SA | 棒架 | bracket | 1 |
| 20 | 30113018 | 384 | 导线棒 | thread guide bar | 1 |
| 21 | S04003 | 4014 | 螺钉 M4 × 25 | screw | 1 |
| 22 | 30101031 | 527ASA | 短过线架 | bracket | 1 |
| 23 | 30111009 | 233-SA | 固定器 | holder | 1 |
| 24 | S04004 | 4012 | 螺钉 M4 × 15 | screw | 3 |
| 25 | N01005 | 4803 | 螺母 M4 | nut | 9 |
| 26 | 30113019 | 293A | 过线棒 | thread guide bar(5-spool) | 1 |
| 27 | 30113034 | | 过线棒 | thread guide bar(6-spool) | 1 |
| 28 | 30103045 | 506 | 过线套 | thread guide | 5 |
| 29 | 30122027 | 386 | 棒帽 | rid cap | 1 |

台板部件(放在附件内)
 machine table mechanism (put in accessory)



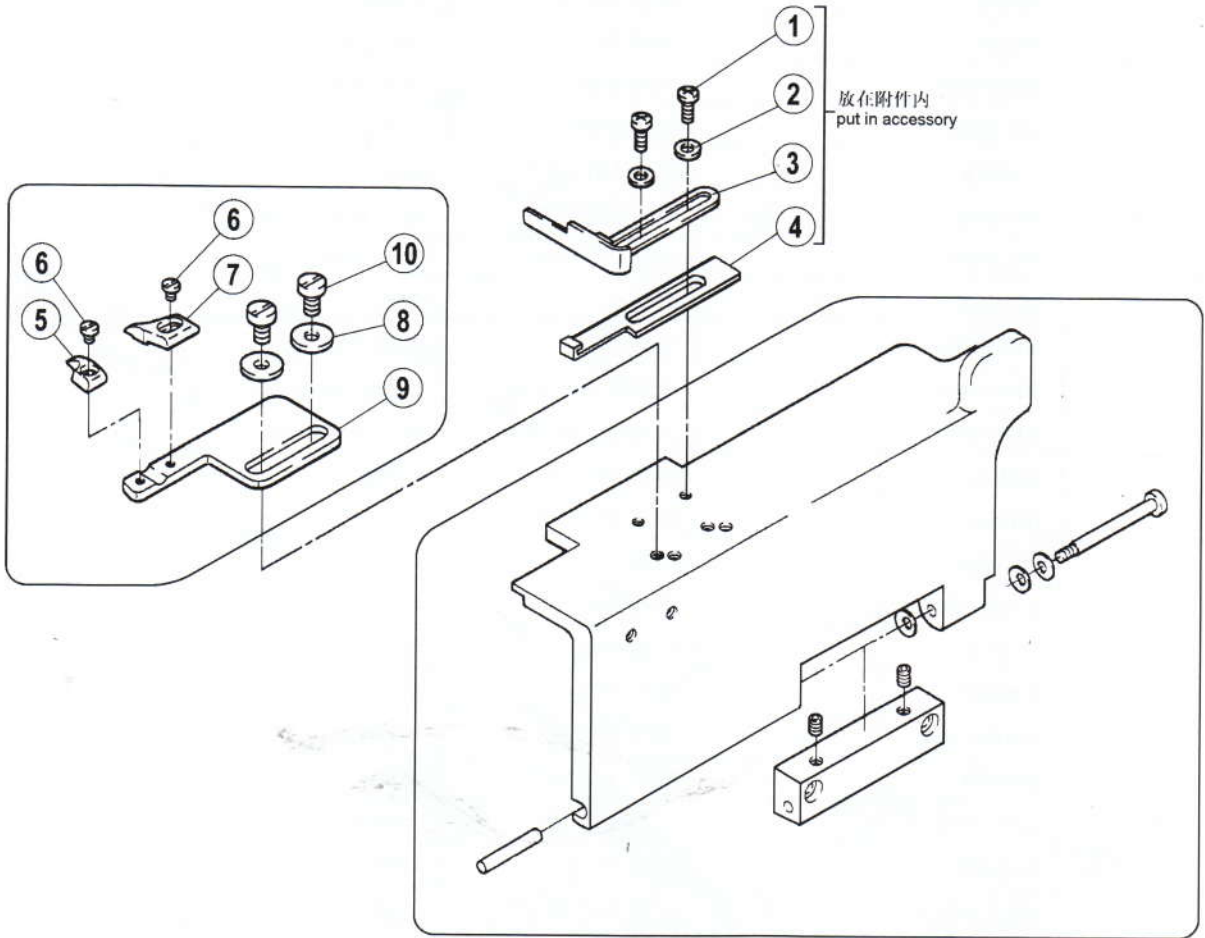
二十、油盘托板部件 / Oil plate assemblies

| 序号 NO | 件号 Parts No. | 参考件号 Ref.Part.No. | 名称 | Description | 数量 Number |
|----------|-----------------|----------------------|------------|---------------------|--------------|
| 1 | 3010103200 | 9048 | 安装螺钉(一套) | screw(set) | 1 |
| 2 | 301S16008 | 206336 | 托盘固定螺母 | nut | 4 |
| 3 | 301S30017 | 4512 | 托板内六角螺钉 | bolt | 4 |
| 4 | 20131029 | 206337 | 大垫圈 | washer | 8 |
| 5 | 20131030 | 205764 | 防振套 | rubber cushion | 4 |
| 6 | 30103080 | 205765 | 减振垫支撑套 | spacer | 4 |
| 7 | 30122031 | 205467 | 减震垫圈 | spacer | 4 |
| 8 | 20131056 | 272 | 内六角扳手(6mm) | allen key/6mm | 1 |
| 9 | 30101032 | 259000 | 油盘托板 | rest board | 2 |
| 10 | 301S30018 | 7093 | 螺钉 | screw | 4 |
| 11 | 30122029 | 206338 | 油盘减振垫 | rubber cushion | 4 |
| 12 | 30112041 | 206329 | 链条挡板 | treadle chain guide | 2 |
| 13 | S01011 | 7027 | 螺钉 M5 × 10 | screw | 4 |
| 14 | 20131029 | 206337 | 大垫圈 | washer | 8 |



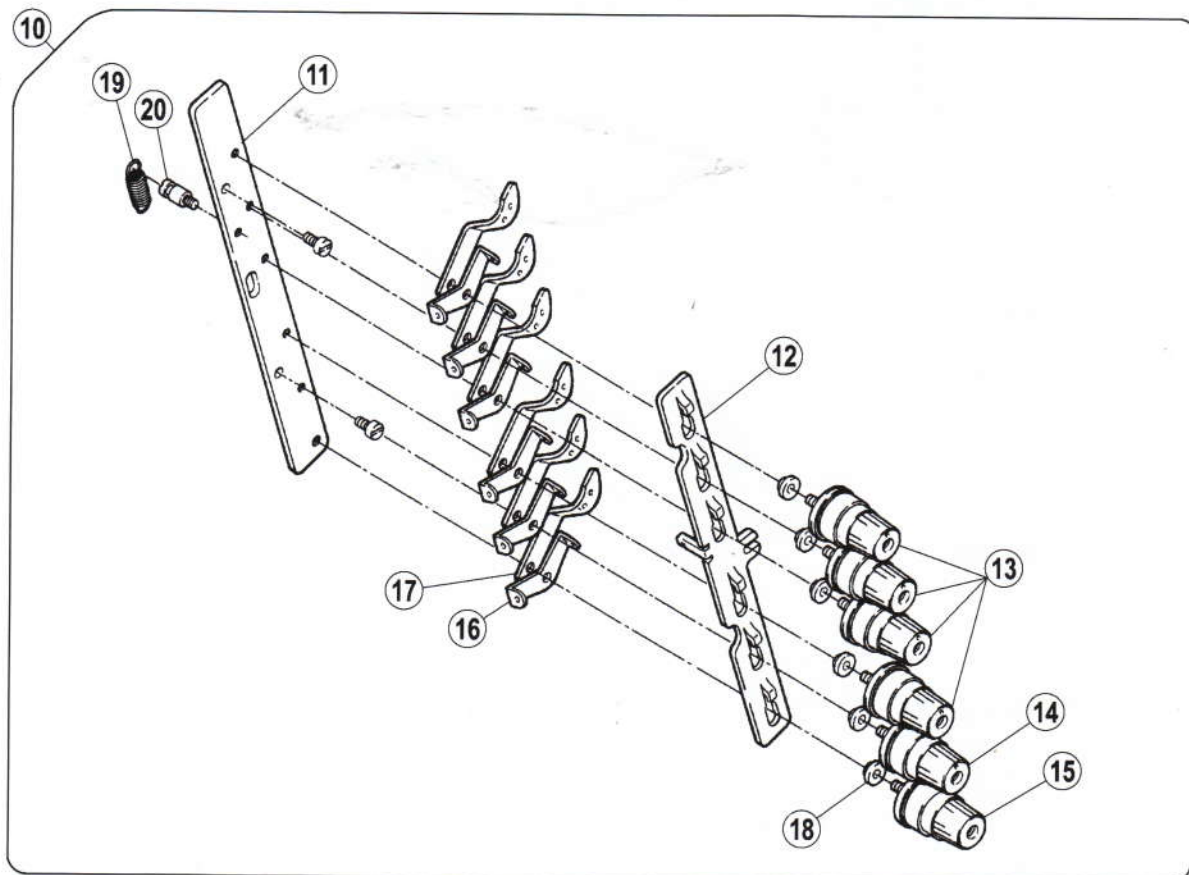
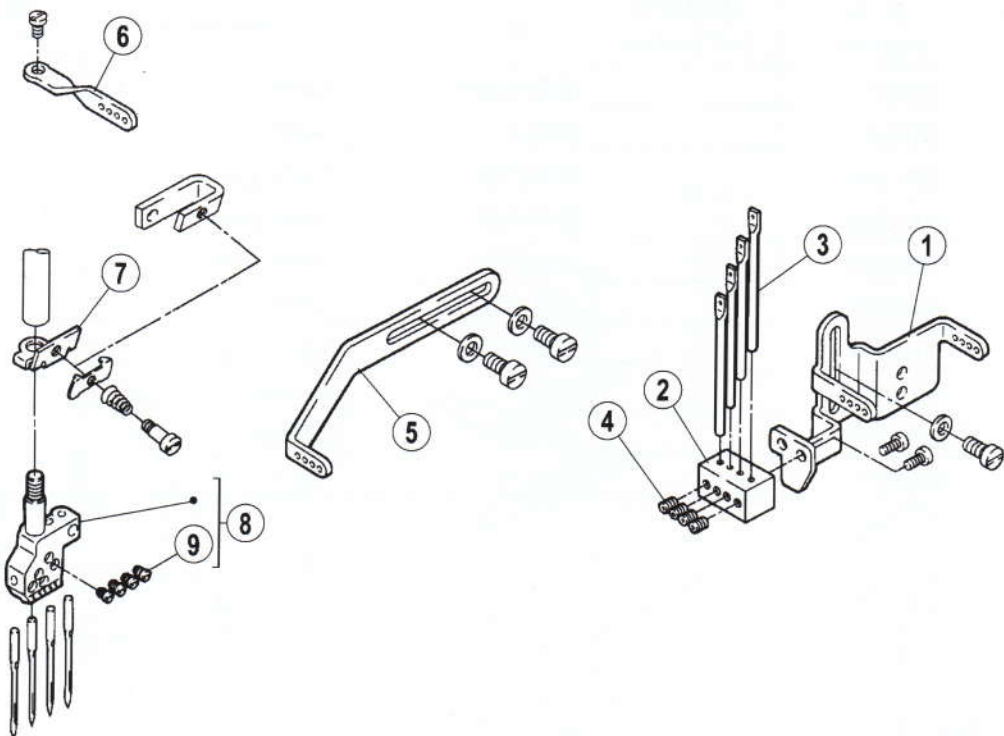
二十一、打线凸轮外移部件(8568W) Parts

| 序号 NO | 件号 Parts No. | 参考件号 Ref.Part.No. | 名 称 | Description | 数量 Number |
|----------|-----------------|----------------------|------------------|-----------------------|--------------|
| 1 | 30102065 | | 打线凸轮轴 | shaft | 1 |
| 2 | H03004 | | 挡圈 12 | ring | 1 |
| 3 | B04017 | | 轴承 6001Z | bracket | 2 |
| 4 | H01011 | | 挡圈 28 | ring | 2 |
| 5 | 30125004 | | 小同步带轮1 | small gear1 | 1 |
| 6 | 30125005 | | 小同步带轮2 | small gear2 | 1 |
| 7 | S10003 | | 螺钉 M6 × 0.75 × 5 | screw | 2 |
| 8 | 30135005 | | 小同步带 | small timing belt | 1 |
| 9 | 30125006 | | 下轴同步带轮 | lower gear | 1 |
| 10 | 207S14008 | | 螺钉 | screw | 2 |
| 11 | 30102066 | | 下轴 | crankshaft | 1 |
| 12 | 30103075 | | 凸轮轴右回油套 | recycle sleeve(right) | 1 |
| 13 | 30103076 | | 凸轮轴左回油套 | recycle sleeve(left) | 1 |
| 14 | S10014 | | 螺钉 M5 × 4 | screw | 4 |
| 15 | B06004 | | 轴承 6801RS | bracket | 1 |
| 16 | 20108002 | | 挡圈 | washer | 1 |
| 17 | 201S15003 | | 挡圈螺钉 | screw | 2 |
| 18 | 30103071 | | 打线凸轮 | thread takeup | 1 |
| 19 | S10002 | | 螺钉 M5 × 5 | screw | 2 |
| 20 | 30108010 | | 轴承挡圈 | set plate | 1 |
| 21 | S01004 | | 螺钉 M4 × 7.8 | screw | 2 |
| 22 | 30112073 | | 打线架支座 | bracket | 1 |
| 23 | L02003 | | 螺钉 M4 × 7 | screw | 1 |
| 24 | 301S20015 | | 打线架连接螺钉 | screw | 1 |
| 25 | 20128027 | | 垫圈 | washer | 1 |
| 26 | 201S16003 | | 螺母 | nut | 1 |
| 27 | 201S11011 | | 铰链簧螺钉 | screw | 1 |
| 28 | 20112053 | | 铰链弹簧 | flat spring | 1 |
| 29 | 20126020 | | 铰链销 | pin | 1 |
| 30 | 30112074 | | 打线架 | bracket | 1 |
| 31 | 30312011 | | 打线片 | thread guide | 1 |
| 32 | 303S11012 | | 打线片螺钉 | screw | 1 |
| 33 | 30313019 | | 过线片 (左) | thread guide(left) | 1 |
| 34 | 30313020 | | 过线片 (右) | thread guide(right) | 1 |
| 35 | S01006 | | 螺钉 M3 × 4.5 | screw | 2 |
| 36 | O01026 | | O形圈 | O ring | 2 |



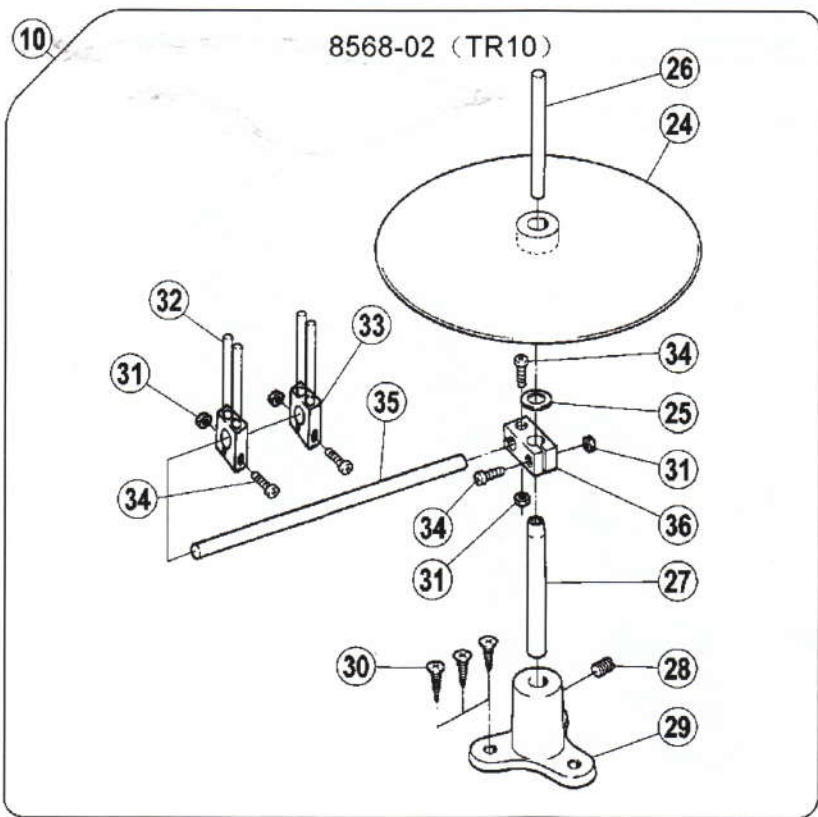
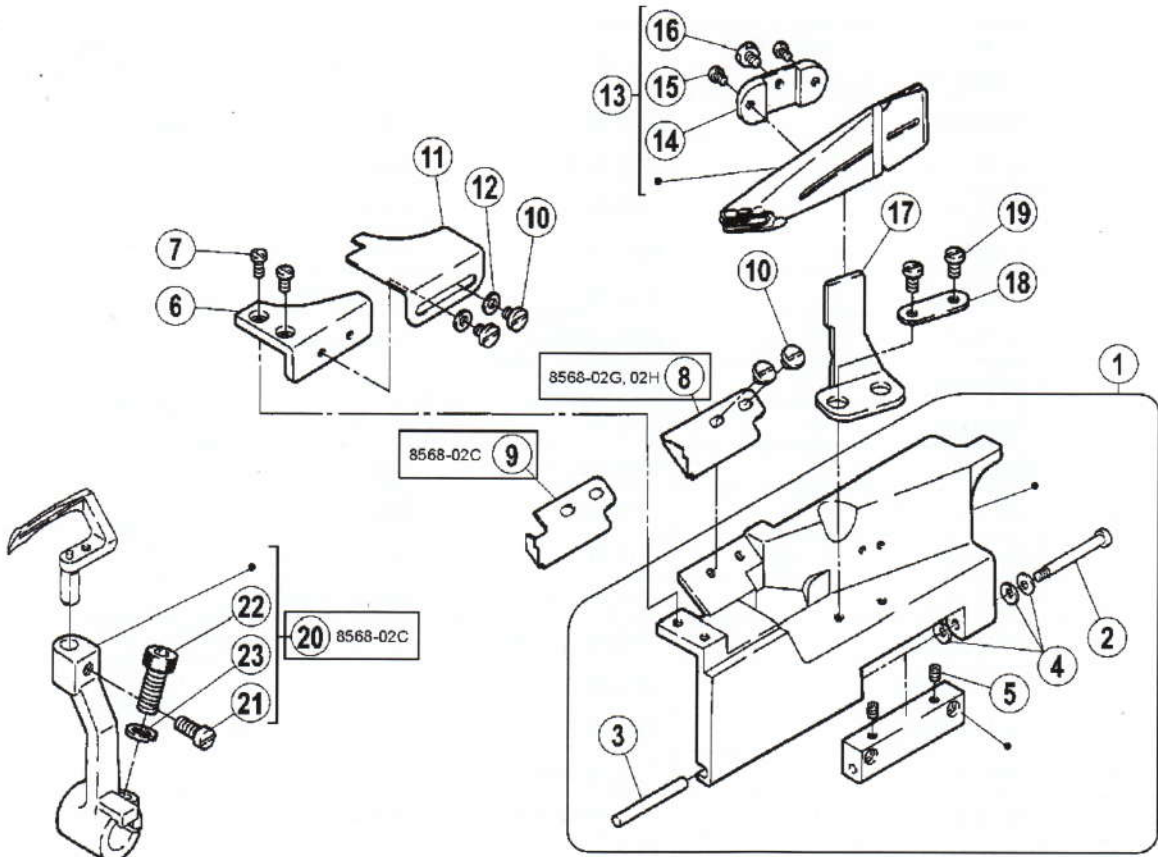
二十二、03、08专用部件 / 03、08 specific parts

| 序号 NO | 件号 Parts No. | 参考件号 Ref.Part.No. | 名称 | Description | 数量 Number |
|----------|-----------------|----------------------|------------|--------------|--------------|
| 1 | 301S11024 | | 滑块导座螺钉 | screw | 2 |
| 2 | W01001 | | 垫圈 4 | washer | 2 |
| 3 | 30112065 | | 缝料挡板1 | fabric guide | 1 |
| 4 | 30112066 | | 缝料挡板2 | fabric guide | 1 |
| 5 | 30109020 | | 盖缝附件1 | fabric guide | 1 |
| 6 | S01036 | | 螺钉 M3 × 3 | screw | 2 |
| 7 | 30109021 | | 盖缝附件3 | fabric guide | 1 |
| 8 | W01009 | | 垫圈 5 | washer | 2 |
| 9 | 30112064 | | 盖缝附件2 | bracket | 1 |
| 10 | S01011 | | 螺钉 M5 × 10 | screw | 2 |



二十三、01D专用部件 / 01D specific parts

| 序号 NO | 件号 Parts No. | 参考件号 Ref.Part.No. | 名称 | Description | 数量 Number |
|----------|-----------------|----------------------|-----------|---------------------------|--------------|
| 1 | 30112077 | | 硅油盒固定架 | thread guide | 1 |
| 2 | 30113028 | | 针杆过线座 | holder | 1 |
| 3 | 30113013 | | 过线杆 | hread guide | 4 |
| 4 | S10001 | | 螺钉 M3 × 4 | screw | 4 |
| 5 | 30113027 | | 长过线 | thread take-up | 1 |
| 6 | 30113030 | | 四眼过线 | thread guide | 1 |
| 7 | 30113024 | | 针杆过线架 | thread guide | 1 |
| 8 | 30134010 | | 针轧头 | needle holder | 1 |
| 9 | S10005 | | 螺钉 M3 × 3 | screw | 4 |
| 10 | 3011303100 | | 过线组件 | tension control mechanism | 1 |
| 11 | 30113031 | | 过线板 | bracket | 1 |
| 12 | 30113029 | | 过线调节板 | thread releaser | 1 |
| 13 | 3011300400 | | 调线组件 (弱) | tension spring assy | 3 |
| 14 | 3011300500 | | 调线组件 (中) | tension spring assy | 1 |
| 15 | 3011300600 | | 调线组件 (强) | tension spring assy | 1 |
| 16 | 30113007 | | 二孔过线板I | thread guide | 6 |
| 17 | 30113008 | | 二孔过线板II | thread guide | 6 |
| 18 | 30103041 | | 调节套 | spacer | 6 |
| 19 | 30127010 | | 调节板簧 | spring | 1 |
| 20 | 301S30009 | | 调节板螺钉 | screw | 1 |



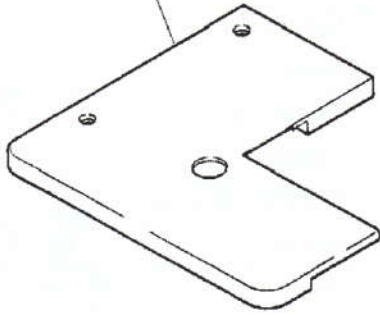
二十四、02专用部件 / 02 specific parts

| 序号 NO | 件号 Parts No. | 参考件号 Ref.Part.No. | 名称 | Description | 数量 Number |
|----------|-----------------|----------------------|-------------|-----------------------------|--------------|
| 1 | 300202 | 250033-SD | 前罩缝台组件 | front cover assy | 1 |
| 2 | 301S20002 | 250013 | 前罩缝台座螺钉 | screw | 1 |
| 3 | 301S20003 | 250014 | 前罩缝台座螺钉 | pin | 1 |
| 4 | 30128002 | 201191 | 弹簧垫圈 | spring | 2 |
| 5 | S10002 | | 螺钉 M5 × 5 | screw | 2 |
| 6 | 300130 | 250050-SD | 前缝台挡板座 | front cover(small) | 1 |
| 7 | S01011 | 7028 | 螺钉 M5 × 10 | screw | 2 |
| 8 | 30112061 | 206601A | 缝料挡板 | fabric guard | 1 |
| 9 | 30112088 | | 缝料挡板 | fabric guard | 1 |
| 10 | S01065 | 7079 | 螺钉 M5 × 6 | screw | 4 |
| 11 | 30112060 | 206439 | 前缝台挡板 | auxiliary plate/front cover | 1 |
| 12 | W01004 | 204585 | 垫圈 5 | washer | 1 |
| 13 | 3011206800 | | 龙头组件 | bracket assy | 1 |
| 14 | 30109019 | 201913 | 龙头固定板 | bracket | 1 |
| 15 | 301S11021 | 5113 | 螺钉 | screw | 2 |
| 16 | L02009 | | 螺栓 M6 × 10 | bolt | 1 |
| 17 | 30112062 | 201914 | 龙头架 | bracket | 1 |
| 18 | 30112063 | 206460 | 龙头架垫 | washer | 1 |
| 19 | S01011 | 7028 | 螺钉 M5 × 10 | screw | 2 |
| 20 | 3010401100 | 252007-92 | 弯针架组件 | looper holder assy | 1 |
| 21 | S01002 | | 螺钉 M4 × 6.5 | screw | 1 |
| 22 | S05004 | | 螺钉 M5 × 14 | bolt | 1 |
| 23 | W02001 | 303067 | 垫圈 5 | washer | 1 |
| 24 | 30111019 | 247-SA | 带子托盘 | tape disc | 1 |
| 25 | 30128029 | 270 | 托盘垫圈 | washer | 1 |
| 26 | 30103060 | 253 | 托盘上棒 | tape disc post | 1 |
| 27 | 30103061 | 250 | 托盘下棒 | tape disc post | 1 |
| 28 | S09002 | 1448 | 螺钉 M6 × 6 | screw | 1 |
| 29 | 30101049 | 251-SA | 托盘座 | bracket | 1 |
| 30 | 301S20020 | 4913 | 木螺钉 | screw | 3 |
| 31 | N0106 | | 螺母 M4 | nut | 4 |
| 32 | 30102048 | 253 | 上夹带棒 | tape disc post | 4 |
| 33 | 30101050 | 254 | 夹带座 | holder | 2 |
| 34 | S04004 | | 螺钉 M4 × 15 | screw | 4 |
| 35 | 30113023 | 255 | 带子导座 | guide post bar | 1 |
| 36 | 30111020 | 256-SA | 托盘导棒架 | bracket | 1 |

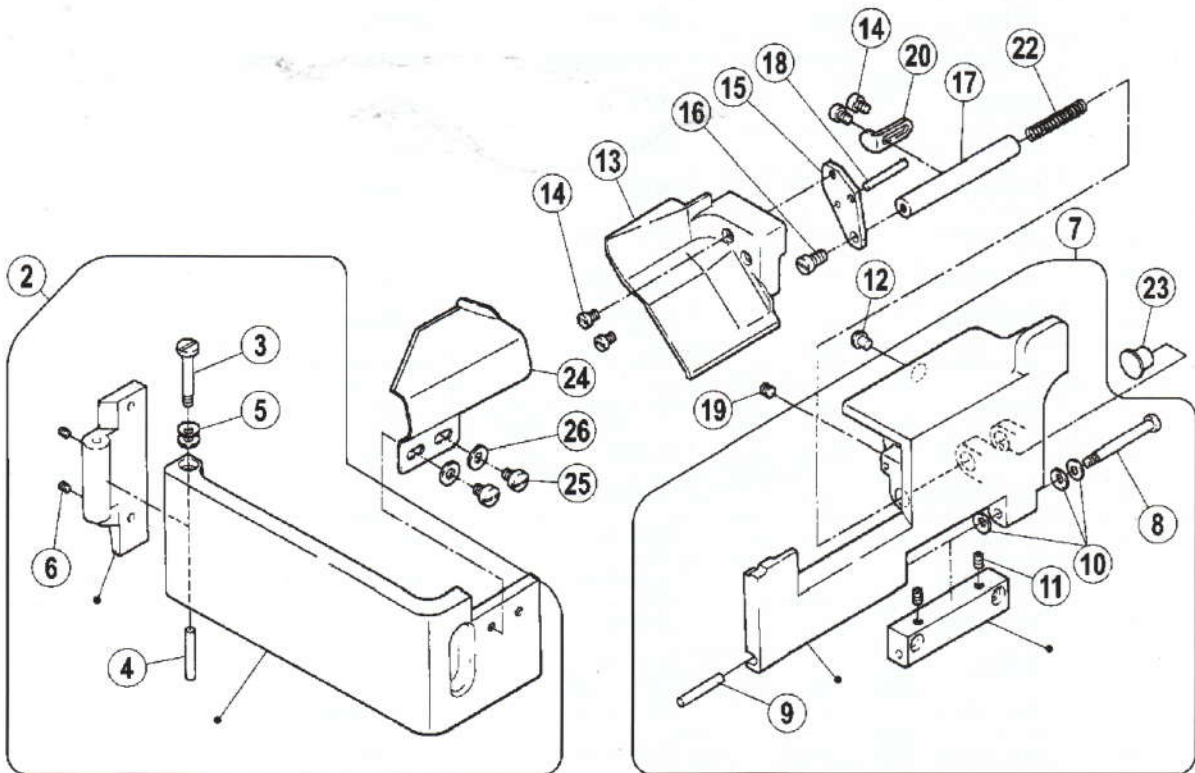
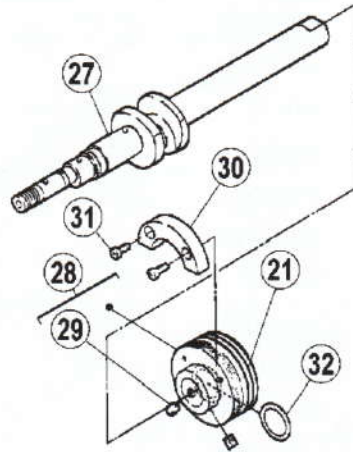
8568-05

左縫台前
COVER

8568-05S,05T除外
except 8568-05S,05T



下轴部件
CRANKSHAFT DRIVE MECHANISM

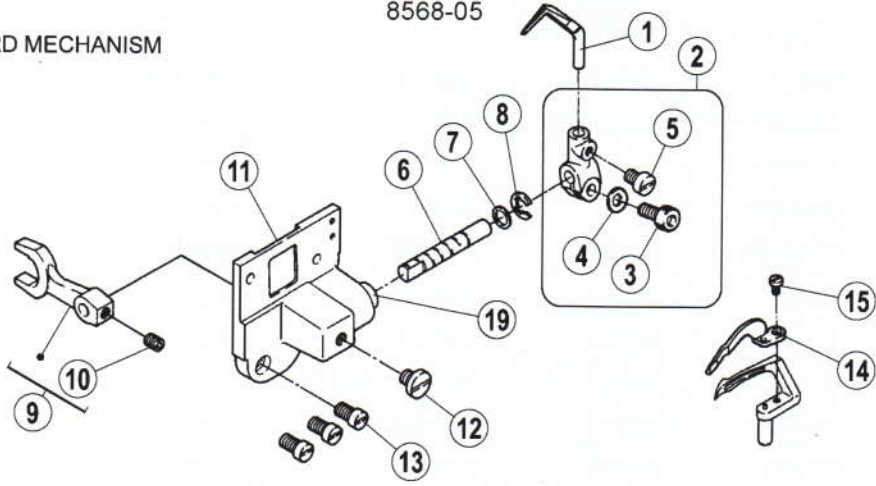


二十五、05专用部件 / 05 specific parts

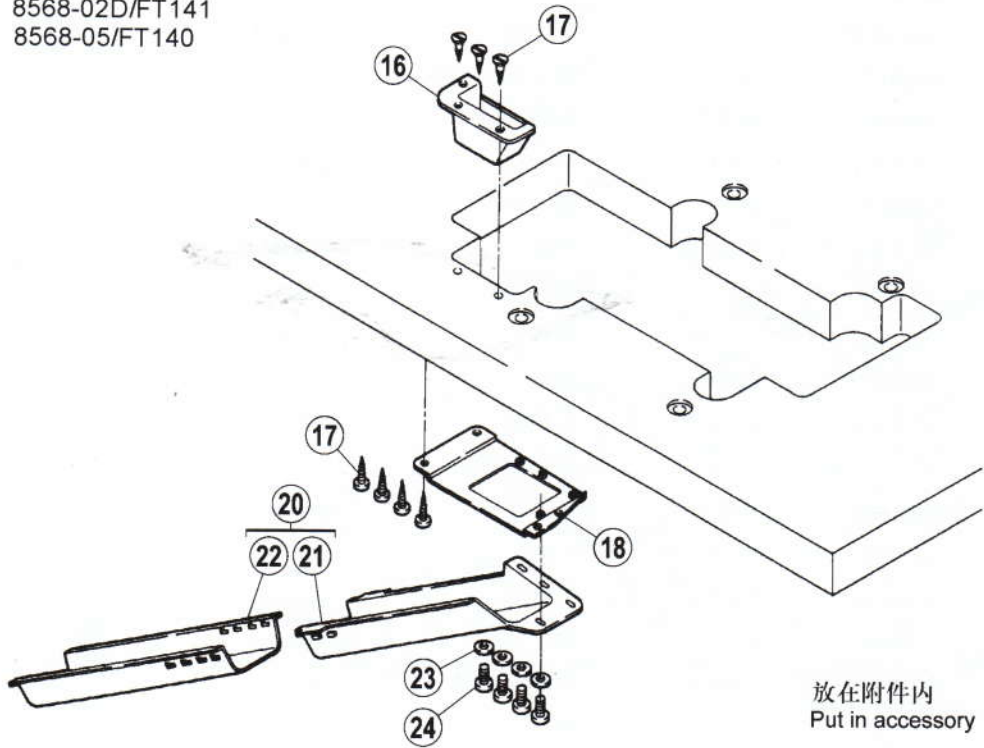
| 序号 NO | 件号 Parts No. | 参考件号 Ref.Part.No. | 名称 | Description | 数量 Number |
|----------|-----------------|----------------------|---------------|---------------------|--------------|
| 1 | 300471 | 250052 | 左缝台盖 | bed cover (left) | 1 |
| 2 | 300203 | 250035A | 侧盖 | side cover assy | 1 |
| 3 | 301S20004 | | 侧盖合扇销钉 | screw | 1 |
| 4 | 301S20005 | | 销螺钉 | pin | 1 |
| 5 | 30128002 | 201191 | 弹簧垫圈 | spring | 2 |
| 6 | S10001 | | 螺钉 M3 × 4 | screw | 2 |
| 7 | 300142 | 250024 | 前罩缝台 | front cover assy | 1 |
| 8 | 301S20002 | 250013 | 前罩缝台座螺钉 | screw | 1 |
| 9 | 301S20003 | 250014 | 前罩缝台座螺钉 | pin | 1 |
| 10 | 30128002 | 201191 | 弹簧垫圈 | spring | 2 |
| 11 | S10006 | 4539 | 螺钉 M5 × 6 | screw | 2 |
| 12 | 30122015 | | 前罩防振垫 | cushion | 1 |
| 13 | 30112045 | 250025-ME | 前挡板 | front cover (small) | 1 |
| 14 | S01001 | 7018 | 螺钉 M4 × 7 | screw | 4 |
| 15 | 30112046 | 250026 | 定位板 | bracket | 1 |
| 16 | S01011 | 7028 | 螺钉 M5 × 10 | screw | 1 |
| 17 | 30102036 | 250027 | 前挡板轴 | shaft | 1 |
| 18 | 30126010 | 306920 | 平行销 | pin | 1 |
| 19 | S10002 | 4514 | 螺钉 M5 × 5 | screw | 1 |
| 20 | 30112047 | 250028 | 挡板 | stopper | 1 |
| 21 | 3012400300 | | 油封轴承 | bushing | 1 |
| 22 | 30127024 | 202304 | 弹簧 | spring | 1 |
| 23 | 30122030 | 250066 | 油堵 | plug | 1 |
| 24 | 30112044 | 255517 | 左挡板 | fabric guide | 1 |
| 25 | 301S11020 | 7074 | 压带轴螺钉 | screw | 2 |
| 26 | W01004 | 204585 | 垫片 | washer | 2 |
| 27 | 30102049 | 250501-91 | 下轴 | crankshaft assy | 1 |
| 28 | 30103003 | 250504 | 前轴套 | bushing | 1 |
| 29 | S10006 | 4539 | 螺钉 M5 × 6 | screw | 2 |
| 30 | 30109002 | 250534 | 下轴平衡块 | balance weight | 1 |
| 31 | S01009 | | 螺钉 M3 × 7.5 | screw | 2 |
| 32 | O01001 | | O型圈 15 × 2.65 | O ring | 1 |

护针部件
NEEDLE GUARD MECHANISM

8568-05



8568-02D/FT141
8568-05/FT140

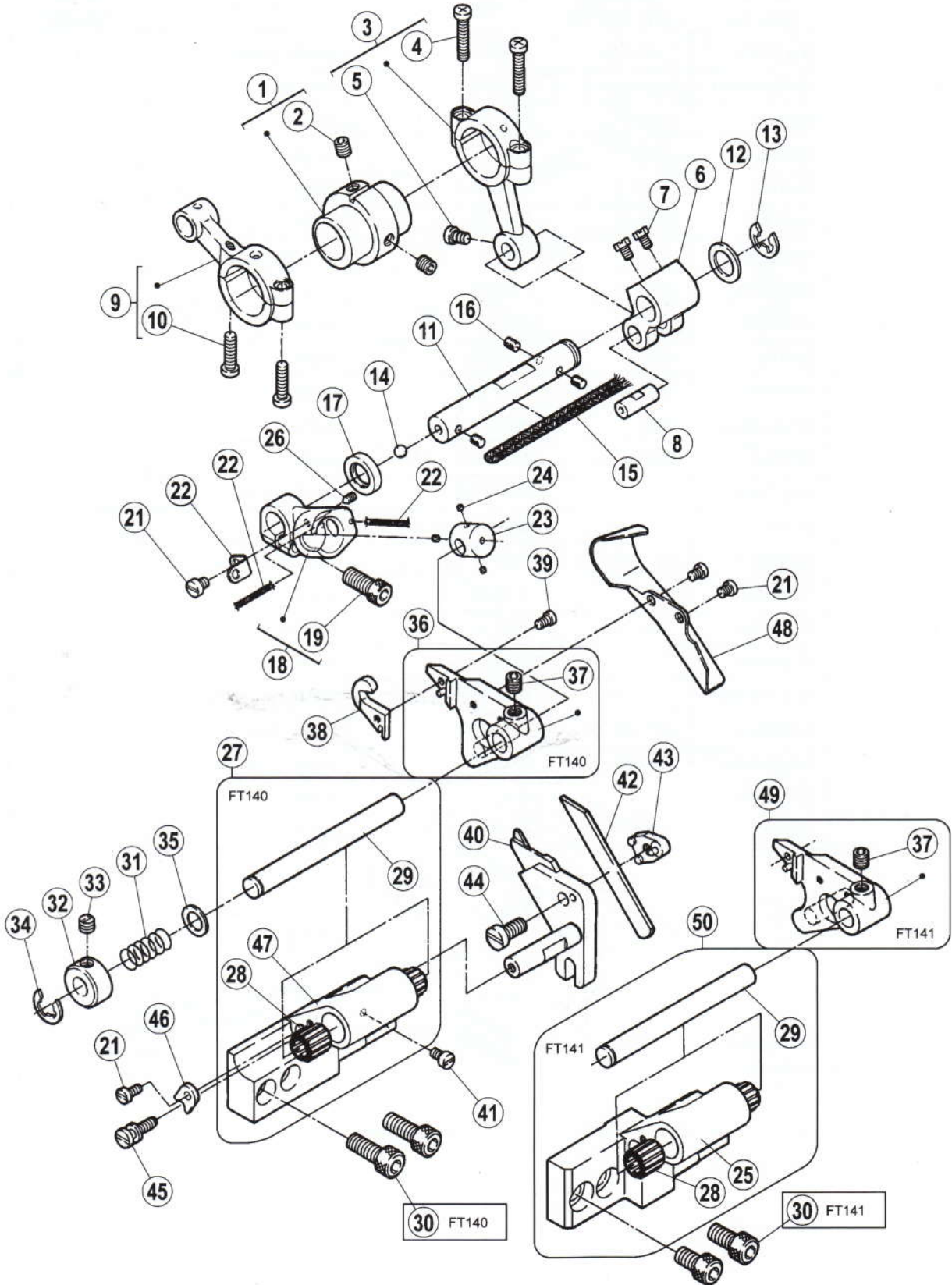


放在附件内
Put in accessory

二十六、02D、05专用部件 / 02D、05 specific parts

| 序号 NO | 件号 Parts No. | 参考件号 Ref.Part.No. | 名称 | Description | 数量 Number |
|----------|-----------------|----------------------|-------------|----------------------|--------------|
| 1 | 30117002 | 257551B | 后护针挡 | needle guard (rear) | 1 |
| 2 | 3011700600 | 251505-92 | 护针挡架组件 | lever assy | 1 |
| 3 | S05003 | 4500 | 螺钉 M5 × 10 | bolt | 1 |
| 4 | W02001 | 303067 | 垫圈 5 | wiasher | 1 |
| 5 | S01002 | 7017 | 螺钉 M4 × 6.5 | screw | 1 |
| 6 | 30102037 | 251503 | 护针轴 | shaft | 1 |
| 7 | 30128035 | | 垫片 | wiasher | 1 |
| 8 | H05013 | 202522 | 挡圈 6 | ring | 1 |
| 9 | 30106003 | 251504 | 叉架 | lever | 1 |
| 10 | S10002 | 4514 | 螺钉 M5 × 5 | screw | 1 |
| 11 | 30101036 | 251500-91 | 护针轴座 | bracket | 1 |
| 12 | 301S11016 | 7081 | 螺钉 | screw | 1 |
| 13 | S01004 | 7019 | 螺钉 M4 × 7.8 | screw | 3 |
| 14 | 30117003 | | 前护针挡 | needle guard (front) | 1 |
| 15 | S01012 | | 螺钉 M2.5 × 4 | screw | 1 |
| 16 | 30111013 | 306473-UA | 挡料斗 | waste chute top (C) | 1 |
| 17 | 301S30019 | 4905 | 木螺钉 | screw | 7 |
| 18 | 30112048 | 306474A | 托板 | bracket | 1 |
| 19 | 30103046 | | 套筒 | bushing | 1 |
| 20 | 3011101400 | | 排料筒座组件 | waste chute assy | 1 |
| 21 | 30111014 | 205468-UA | 排料筒座 | waste chute top (A) | 1 |
| 22 | 30111015 | 205469-UA | 排料筒 | waste chute top (B) | 1 |
| 23 | 30128036 | | 垫片 | wiasher | 1 |
| 24 | S01005 | 7020 | 螺钉 M4 × 10 | screw | 4 |

8568-02D/FT141
8568-05/FT140

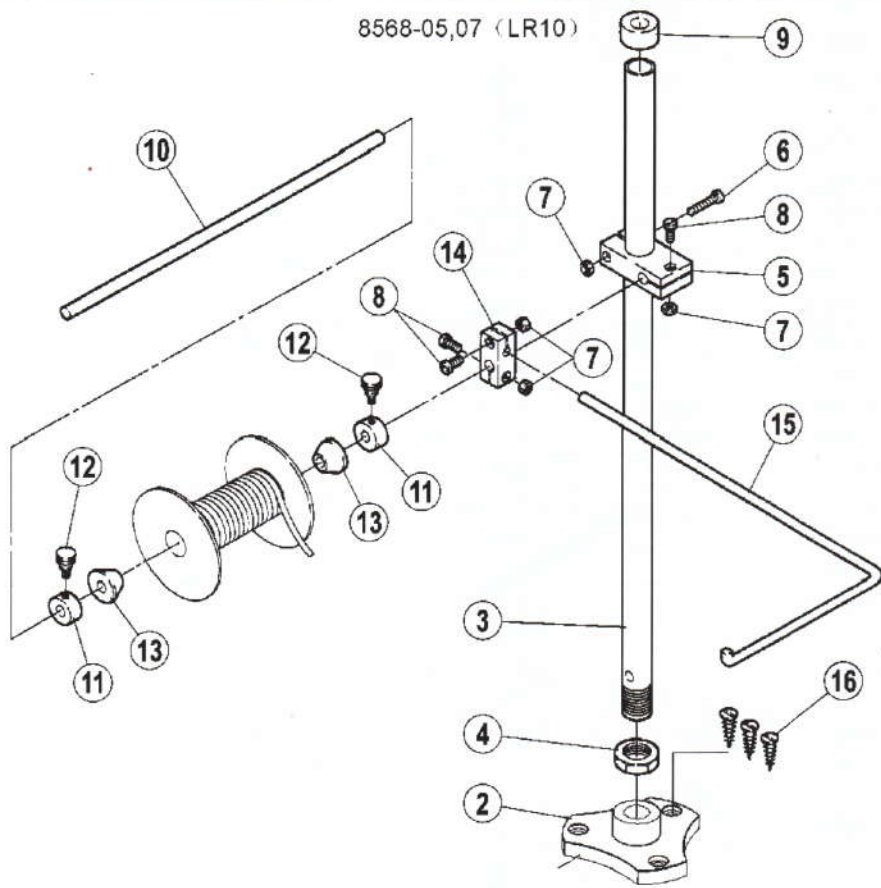


二十七、02D、05专用部件 / 02D、05 specific parts

| 序号 NO | 件号 Parts No. | 参考件号 Ref.Part.No. | 名称 | Description | 数量 Number |
|----------|-----------------|----------------------|------------------|------------------------|--------------|
| 1 | 30110009 | 255500 | 凸轮 | eccentric assy | 1 |
| 2 | S10006 | 4539 | 螺钉 M5 × 6 | screw | 2 |
| 3 | 3010500600 | | 连杆组件 | connection assy | 1 |
| 4 | S01008 | | 螺钉 M3.5 × 13 | screw | 4 |
| 5 | S01010 | | 螺钉 M4 × 8 | screw | 1 |
| 6 | 30104007 | | 弯针曲柄 | crank | 1 |
| 7 | 301S12001 | | 曲柄螺钉 | screw | 2 |
| 8 | 30126003 | | 曲柄销 | pin | 1 |
| 9 | 30105009 | | 弯针摆动连杆 | connection assy | 1 |
| 10 | S01008 | | 螺钉 M3.5 × 13 | screw | 2 |
| 11 | 30102038 | 255502 | 曲柄轴 | shaft | 1 |
| 12 | 30128008 | 240102 | 护针轴垫圈 | washer | 1 |
| 13 | H05001 | | 挡圈 10 | ring | 1 |
| 14 | 30209009 | | 差动轴滚珠 | ball | 1 |
| 15 | 20523001 | | 油线 | oil wick | 1 |
| 16 | 30123001 | | 毛毡 | felt | 3 |
| 17 | 30122019 | | 油封 | oil seal | 1 |
| 18 | 30104028 | 255503 | 摆轴曲柄 | lever assy | 1 |
| 19 | S05004 | | 螺钉 M5 × 14 | screw | 1 |
| 20 | 30112049 | 255504 | 挡板 | latch | 1 |
| 21 | S01006 | 7009 | 螺钉 M3 × 4.5 | screw | 4 |
| 22 | 30123015 | | 油线 | oil wick | 2 |
| 23 | 30102039 | 255505 | 摆轴 | block | 1 |
| 24 | 30123008 | | 毛毡 | felt | 3 |
| 25 | 30101057 | | 刀座 | bracket assy | 1 |
| 26 | S12002 | | 螺钉 M3 × 4 | screw | 1 |
| 27 | 3010104000 | | 刀座组件 | bracket assy | 1 |
| 28 | 30103085 | | 刀座套筒 | needle bearing | 2 |
| 29 | 30102040 | 255508-2 | 下刀座轴 | shaft | 1 |
| 30 | S05019 | | 螺钉 M6 × 16.3 | screw | 2 |
| 31 | 30127022 | 306105 | 弹簧 | spring | 1 |
| 32 | 30108006 | 192024 | 挡圈 | collar | 1 |
| 33 | 209S14008 | W00024-1 | 螺钉 | screw | 1 |
| 34 | H05013 | 202522 | 挡圈 | ring | 1 |
| 35 | 30128026 | 207045 | 垫片 | washer | 1 |
| 36 | 30101037 | 255507-91 | 上刀架 | upper knife lever assy | 1 |
| 37 | S10003 | 4547 | 螺钉 M6 × 0.75 × 5 | screw | 1 |
| 38 | 30119001 | 306394 | 上刀 | upper knife | 1 |
| 39 | 301S11017 | 5109 | 上刀固定螺钉 | screw | 1 |
| 40 | 30101039 | 255509 | 下刀架 | lower knife holder | 1 |
| 41 | 301S11025 | 7036 | 护针曲柄螺钉 | screw | 1 |
| 42 | 30119002 | 204161 | 下刀 | lower knife | 1 |
| 43 | 30101038 | 255510 | 下刀挡板 | lower knife clamp | 1 |
| 44 | S01011 | 7028 | 螺钉 M5 × 10 | screw | 1 |
| 45 | 301S30021 | 255513 | 调刀螺钉 | screw | 1 |
| 46 | 30112051 | 255511 | 挡片 | guide | 1 |
| 47 | 30101040 | 255506 | 刀座 | bracket assy | 1 |
| 48 | 30112050 | 255515 | 除削板 | chip guard | 1 |
| 49 | 30101056 | | 上刀架 | upper knife lever assy | 1 |
| 50 | 3010105700 | | 刀座组件 | bracket assy | 1 |

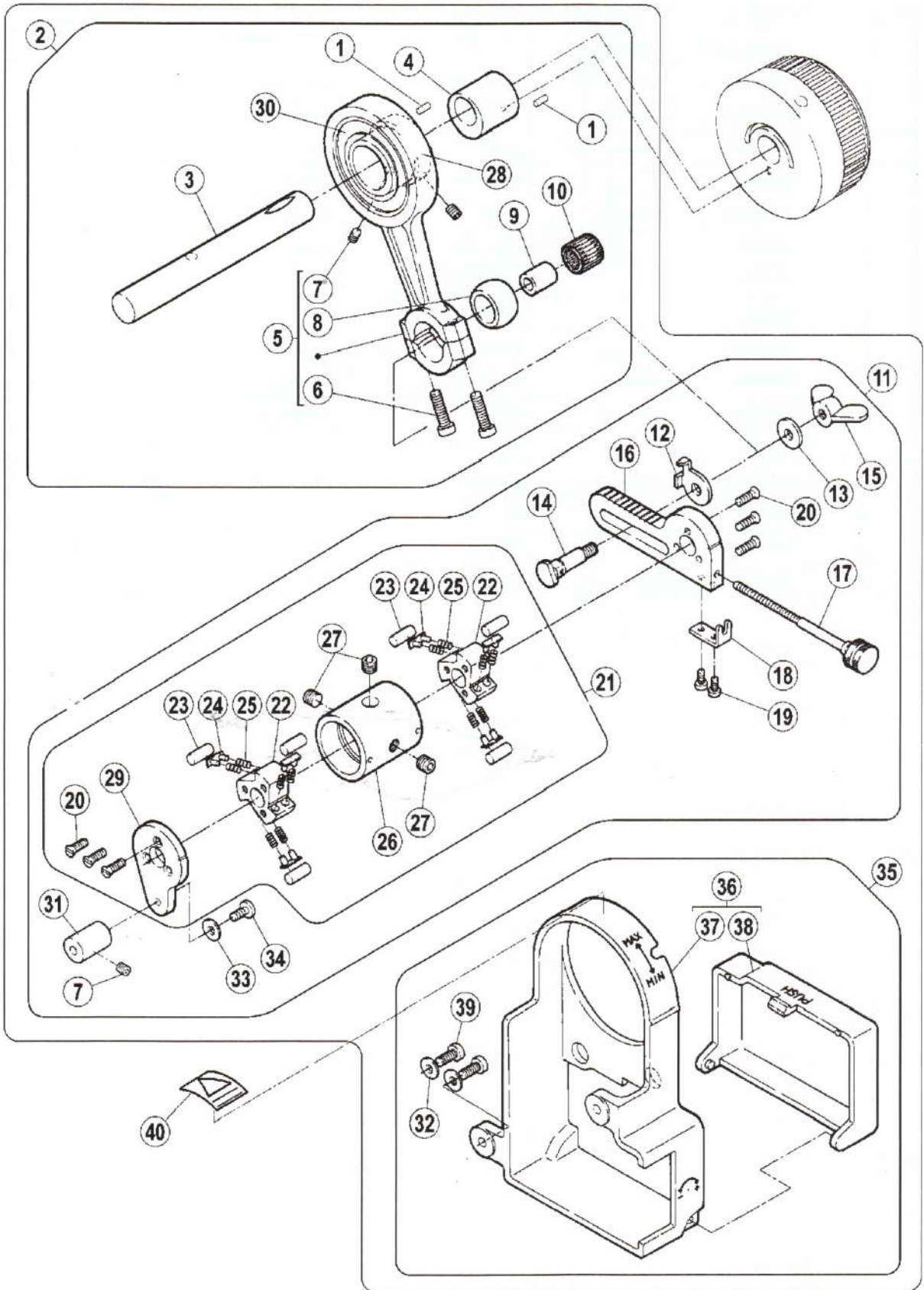
1

8568-05,07 (LR10)



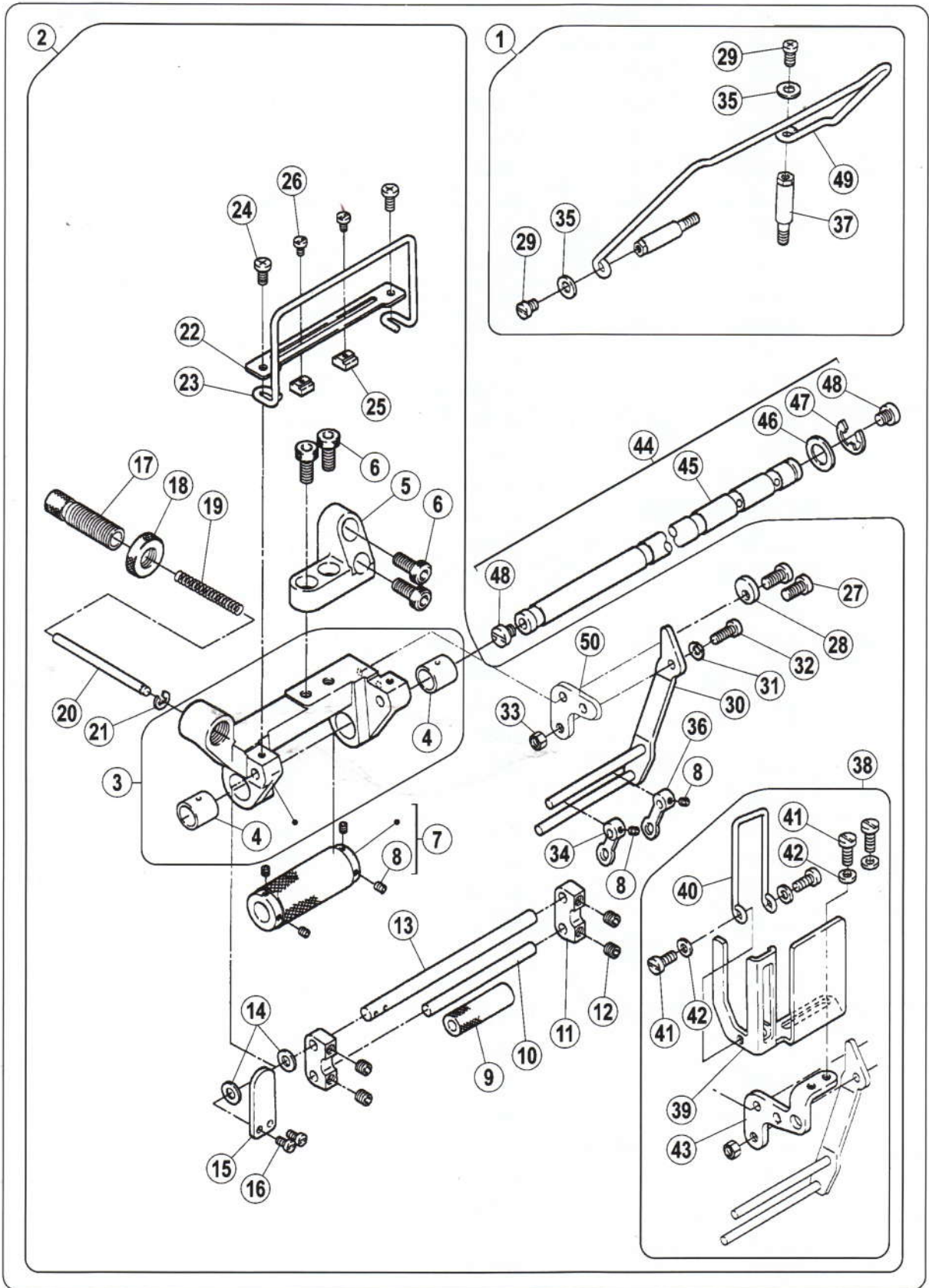
二十八、05、07专用部件 / 05、07 specific parts

| 序号 NO | 件号 Parts No. | 参考件号 Ref.Part.No. | 名称 | Description | 数量 Number |
|----------|-----------------|----------------------|--------------|-----------------|--------------|
| 1 | 3010204100 | 306469A9S | 带子组件 | reel stand assy | 1 |
| 2 | 30103047 | 306468-SA | 支柱盘 | bracket | 1 |
| 3 | 30102042 | 306466-SA | 支柱 | rod | 1 |
| 4 | N02001 | | 螺母 M6 × 0.75 | nut | 1 |
| 5 | 30111008 | 383-SA | 棒架 | bracket | 1 |
| 6 | S04003 | | 螺钉 M4 × 25 | screw | 1 |
| 7 | N01005 | | 螺母 M4 | nut | 4 |
| 8 | S04004 | | 螺钉 M4 × 15 | screw | 3 |
| 9 | 30122027 | 386 | 棒帽 | rod cap | 1 |
| 10 | 30102043 | 306464 | 带架直棒 | shaft | 1 |
| 11 | 30103048 | 306463 | 轴占 | collar | 2 |
| 12 | S01068 | | 螺钉 M4 × 8 | screw | 2 |
| 13 | 30103064 | 306462 | 轴锥架 | reel guide | 2 |
| 14 | 30111009 | 233-SA | 固定器 | bracket | 1 |
| 15 | 30113020 | 306467 | 带架棒 | rod | 1 |
| 16 | 301S30022 | 4913 | 木螺钉 | screw | 3 |



二十九、05、07专用部件 / 05、07 specific parts

| 序号 NO | 件号 Parts No. | 参考件号 Ref.Part.No. | 名称 | Description | 数量 Number |
|----------|-----------------|----------------------|------------------|---------------------------|--------------|
| 1 | P03008 | 206781 | 销 2 × 6 | pin | 2 |
| 2 | 3010501500 | 256061-91 | 连杆组件 | eccentric connection assy | 1 |
| 3 | 30103049 | 256000 | 短轴 | shaft | 1 |
| 4 | 30103050 | 256043-91 | 偏心套 | eccentric assy | 1 |
| 5 | 3010501900 | 256007 | 铝连杆 | connection assy | 1 |
| 6 | S04005 | | 螺钉 M4 × 15.5 | screw | 2 |
| 7 | S10002 | 4514 | 螺钉 M5 × 5 | screw | 3 |
| 8 | 30103051 | | 球套 | ball stud | 1 |
| 9 | 30103052 | 306238 | 轴承套 | bushing | 1 |
| 10 | B07014 | | 轴承 10 × 13 × 13 | needle bearing | 1 |
| 11 | 3010104100 | | 调节座组件 | crank assy | 1 |
| 12 | 30112052 | 256009 | 调节指针 | indicator | 1 |
| 13 | 30128027 | 204023 | 垫圈 | washer | 1 |
| 14 | 301S20012 | 256008 | 调节螺钉 | pin | 1 |
| 15 | 301S16009 | 256048 | 蝶形螺母 | butterfly nut | 1 |
| 16 | 30101041 | 256010 | 调节座 | crank | 1 |
| 17 | 301S30023 | 256041 | 长螺钉 | screw | 1 |
| 18 | 30112053 | 256042 | 支座 | set plate | 1 |
| 19 | S01006 | 7009 | 螺钉 M3 × 5 | screw | 2 |
| 20 | 301S11019 | 7083 | 调节座定位螺钉 | screw | 6 |
| 21 | 3010305300 | | 轴套组件 | clutch assy | 1 |
| 22 | 30101042 | 256012 | 轴架 | clutch | 2 |
| 23 | 30126011 | 306500 | 销轴 | pin | 6 |
| 24 | 30112054 | 306243 | 内挡板 | guide assy | 6 |
| 25 | 30127023 | 240114A | 弹簧 | spring | 12 |
| 26 | 30103053 | 256046 | 轴套 | sleeve | 1 |
| 27 | S10003 | 4547 | 螺钉 M6 × 0.75 × 5 | screw | 3 |
| 28 | 30103054 | | 轴承套 | bushing | 1 |
| 29 | 30101043 | 256011 | 止动板 | stop plate | 1 |
| 30 | B04006 | | 轴承 (60/28Z) | bearing | 1 |
| 31 | 30126012 | 306568 | 平行销 | pin | 1 |
| 32 | W01001 | | 垫圈 4 | washer | 2 |
| 33 | W01001 | | 垫圈 4 | washer | 1 |
| 34 | 201S11016 | | 螺钉 | screw | 1 |
| 35 | 3011101700 | 250068-UB | 护罩组件 | cover assy | 1 |
| 36 | 3011101600 | 250067-UB | 护罩组 | md cover assy | 1 |
| 37 | 30111016 | | 护罩体 | md cover | 1 |
| 38 | 30111017 | | 护罩板 | cover | 1 |
| 39 | S01005 | 7020 | 螺钉 M4 × 10 | screw | 2 |
| 40 | 30137006 | | 警示牌 | sticker | 1 |

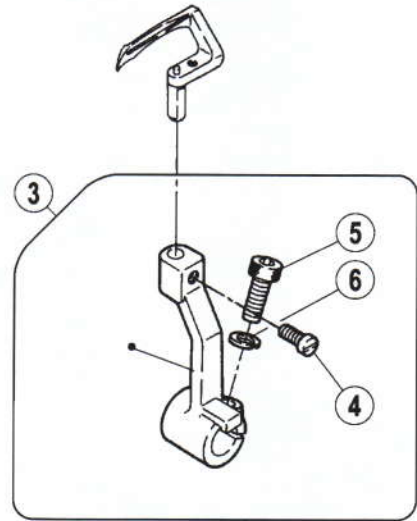
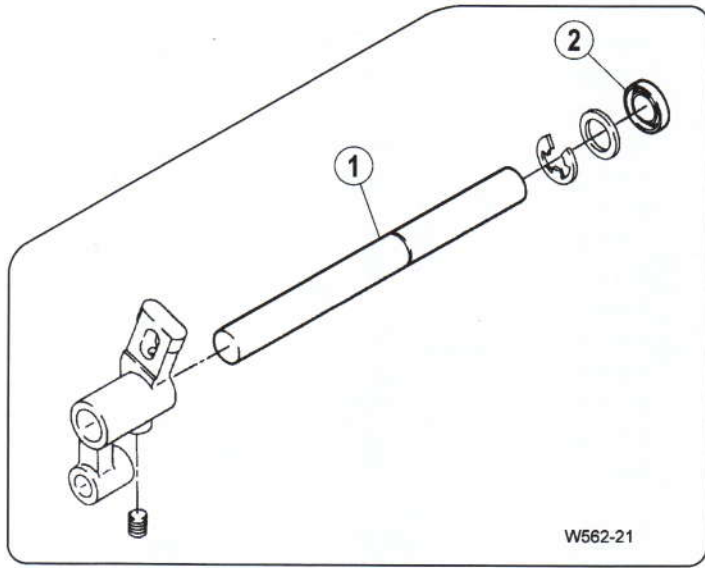


三十、05、07专用部件 / 05、07 specific parts

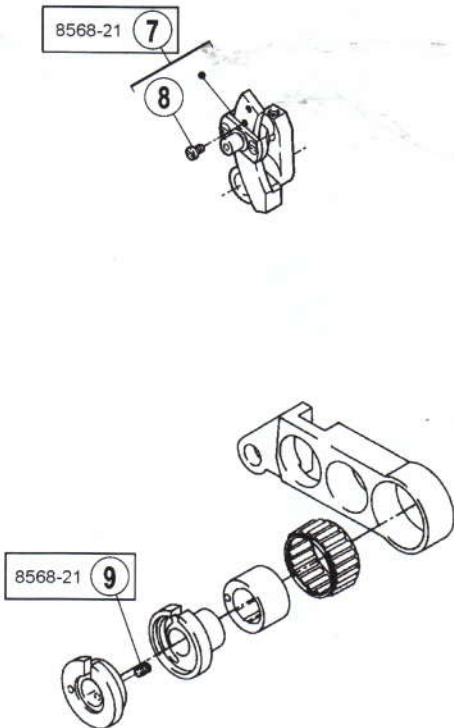
| 序号 NO | 件号 Parts No. | 参考件号 Ref.Part.No. | 名称 | Description | 数量 Number |
|----------|-----------------|----------------------|--------------|---------------------------|--------------|
| 1 | 3010304400 | 255500 | 压带组件 | lace guide assy | 1 |
| 2 | 3010104500 | 4539 | 压带架座组件 | elastic feed base assy | 1 |
| 3 | 300144 | | 压带架座 | bracket assy | 1 |
| 4 | 30103055 | | 套筒 | bushing | 2 |
| 5 | 300143 | | 压带架支座 | bracket | 1 |
| 6 | S05019 | | 螺钉 M6 × 16.3 | bolt | 4 |
| 7 | 3010305700 | | 压带轮组件 | roller assy | 1 |
| 8 | S10005 | | 螺钉 M3 × 3 | screw | 6 |
| 9 | 30103059 | | 压带轮II | roller | 1 |
| 10 | 30102045 | | 夹带短轴 | shaft | 1 |
| 11 | 30109018 | 255502 | 夹带轴架 | bracket | 2 |
| 12 | S10002 | 240102 | 螺钉 M5 × 5 | screw | 4 |
| 13 | 30102046 | | 夹带长轴 | shaft | 1 |
| 14 | W01003 | | 垫圈 6 | washer | 2 |
| 15 | 30112059 | | 手柄 | leVERR | 1 |
| 16 | S01015 | | 螺钉 M3 × 5 | screw | 2 |
| 17 | 301S30027 | | 调节螺钉 | screw | 1 |
| 18 | 301S16011 | 255503 | 调节螺母 | nut | 1 |
| 19 | 30127024 | | 弹簧 | spring | 1 |
| 20 | 30126013 | 255504 | 销轴 | shaft | 1 |
| 21 | H05003 | 7009 | 挡圈 5 | ring | 1 |
| 22 | 30112055 | | 压带板 | guide | 1 |
| 23 | 30113022 | 255505 | 压带架 | lace guide | 1 |
| 24 | S01002 | | 螺钉 M4 × 6.5 | screw | 2 |
| 25 | 301S16010 | | 位置挡块 | guide | 2 |
| 26 | 301S11018 | | 螺钉 | screw | 2 |
| 27 | S01004 | | 螺钉 M4 × 7.8 | screw | 2 |
| 28 | 30128028 | | 偏心垫 | stopper | 1 |
| 29 | S01004 | 255508-2 | 螺钉 M4 × 7.8 | screw | 2 |
| 30 | 3011205600 | | 夹带架组件 | bracket | 1 |
| 31 | 30128020 | 306105 | 垫片 | spring | 1 |
| 32 | S05048 | 192024 | 螺钉 M4 × 10 | bolt | 1 |
| 33 | N01001 | W00024-1 | 螺母 M4 | nut | 1 |
| 34 | 30105017 | 202522 | 夹带连杆I | lace guide | 1 |
| 35 | W01004 | 207045 | 垫圈 5 | washer | 2 |
| 36 | 30105018 | 255507-91 | 夹带连杆II | lace guide | 1 |
| 37 | 301S30025 | 4547 | 台螺钉 | screw | 2 |
| 38 | 3011208300 | 306394 | 过线防护罩组件 | thread take-up guard assy | 1 |
| 39 | 30112083 | 5109 | 过线防护罩 | thread takeup guard | 1 |
| 40 | 30112084 | 255509 | 手指防护罩 | finger guard | 1 |
| 41 | S01001 | 7036 | 螺钉 M4 × 7 | screw | 3 |
| 42 | W01001 | 204161 | 垫圈 4 | washer | 3 |
| 43 | 30112087 | 255510 | 夹带连接板 | barcket | 1 |
| 44 | 3010304400 | 7028 | 压带组件 | shaft assy | 1 |
| 45 | 30103044 | 255513 | 压带轴 | shaft | 1 |
| 46 | 30128008 | 255511 | 摆架轴垫圈 | washer | 1 |
| 47 | H05001 | 255506 | 挡圈 10 | ring | 1 |
| 48 | 301S11020 | 255515 | 压带轴螺钉 | screw | 2 |
| 49 | 30113021 | | 带子架 | lace guide | 1 |
| 50 | 30112058 | | 夹带连接板 | barcket | 1 |

8568-21,22

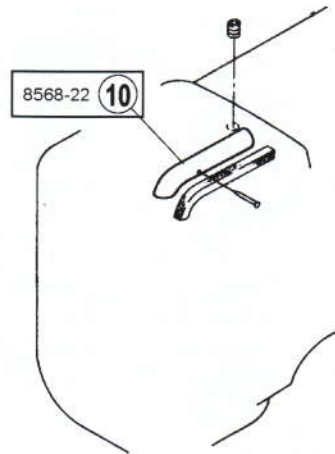
弯针部件
LOOPER MECHANISM



送布部件
FEED MECHANISM



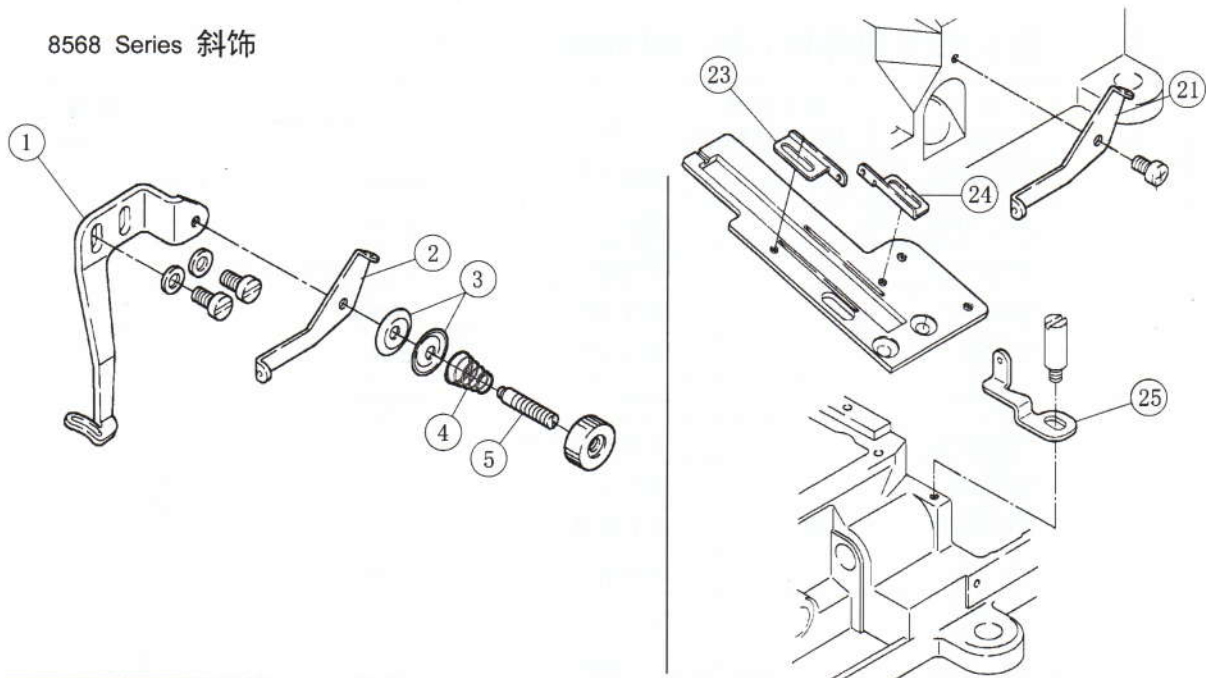
润滑部件
LUBRICATION MECHANISM



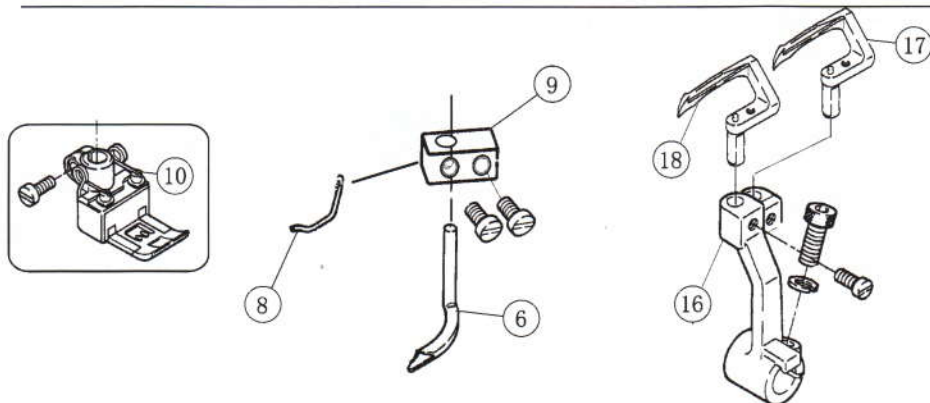
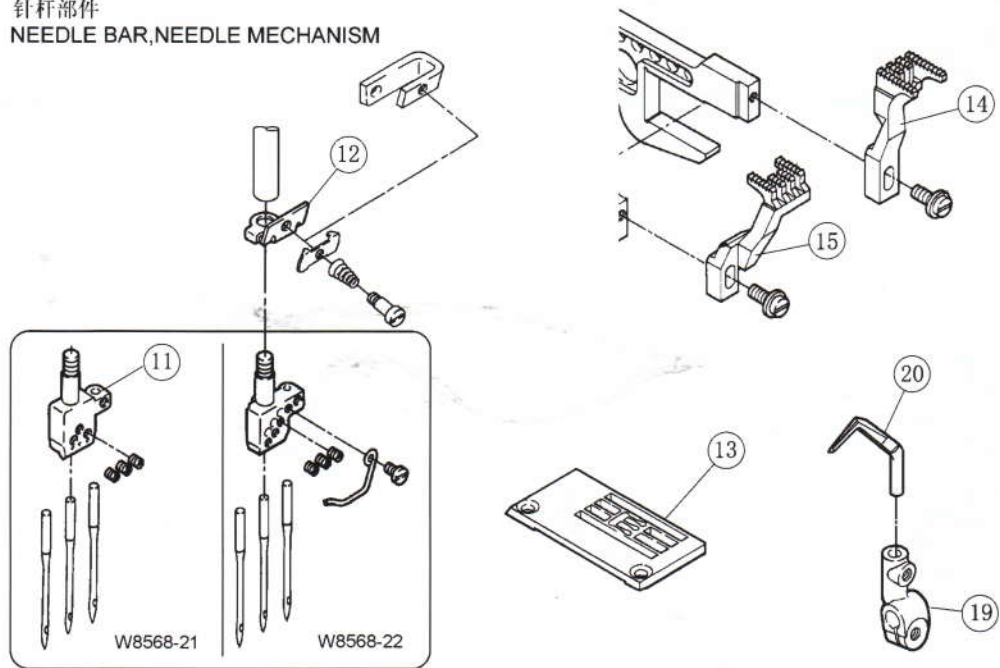
三十一、21、22专用部件 / 21、22 specific parts

| 序号 NO | 件号 Parts No. | 参考件号 Ref.Part.No. | 名 称 | Description | 数量 Number |
|----------|-----------------|----------------------|-------------|--------------------|--------------|
| 1 | 30102051 | 252004A | 摆轴 | shaft | 1 |
| 2 | 30122008 | | 油封 | oil seal | 1 |
| 3 | 30104012 | | 弯针架 | looper holder assy | 1 |
| 4 | S01004 | | 螺钉 M4 × 7.8 | screw | 1 |
| 5 | S05004 | | 螺钉 M5 × 14 | screw | 1 |
| 6 | W02001 | | 垫圈 5 | washer | 1 |
| 7 | 30104014 | | 差动调整架组 | crank | 1 |
| 8 | S01012 | | 螺钉 M2.5 × 4 | screw | 1 |
| 9 | 301S30029 | 7080 | 调节器螺钉 | screw | 1 |
| 10 | 30121012 | | 铜油管 | oil pipe | 1 |

8568 Series 斜饰

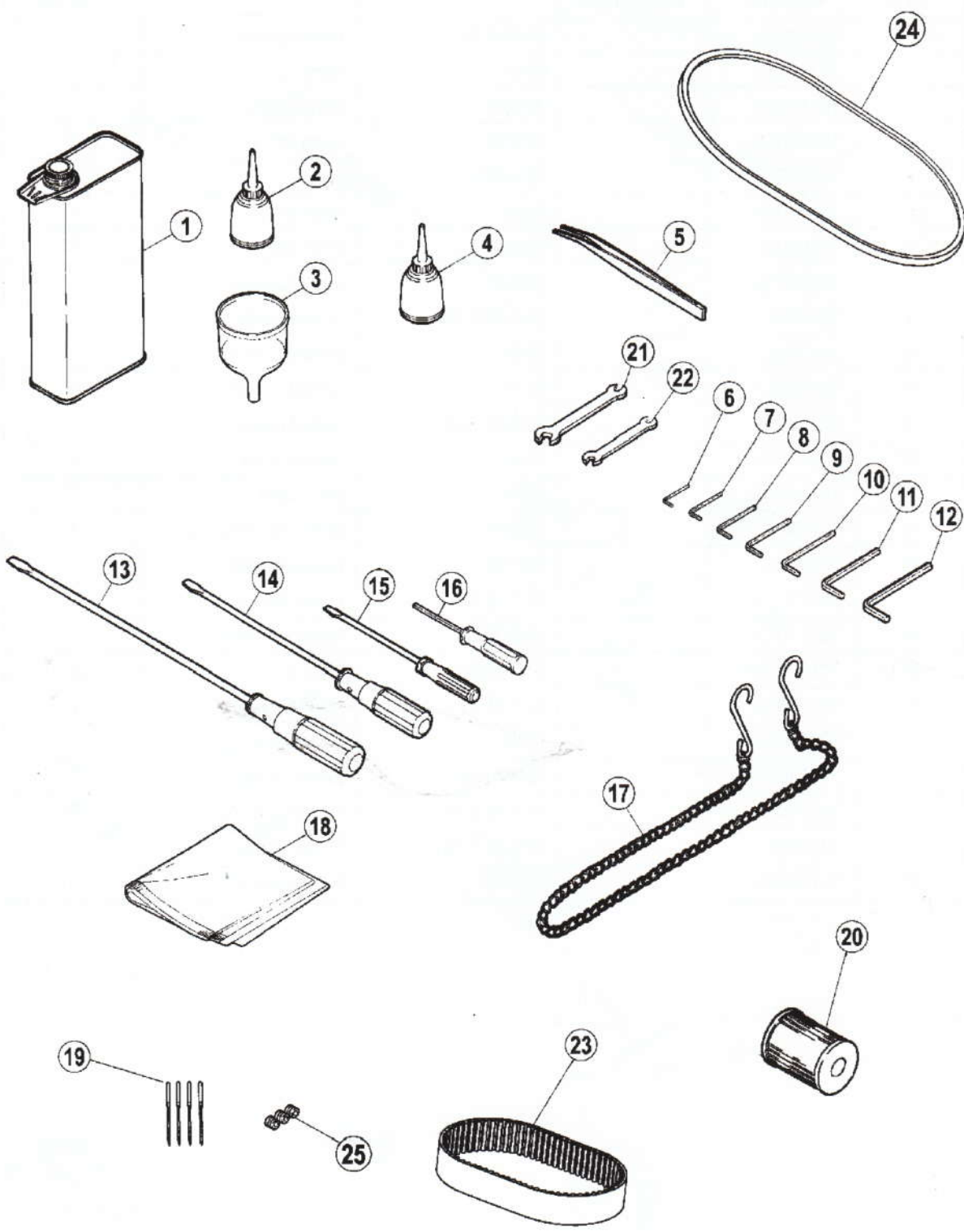


针杆部件
NEEDLE BAR, NEEDLE MECHANISM



三十二、斜饰专用部件 / specific parts

| 序号 NO | 件号 Parts No. | 参考件号 Ref.Part.No. | 名称 | Description | 数量 Number |
|----------|-----------------|----------------------|--------|----------------------|--------------|
| 1 | 30112031 | | 喂针过线板 | thread guide | 1 |
| 2 | 30112032 | | 喂针二孔过线 | thread guide | 1 |
| 3 | 20112033 | | 夹线片 | tension disl | 2 |
| 4 | 30127015 | | 调压簧 | spring | 1 |
| 5 | 301S30011 | | 调压螺钉 | screw | 1 |
| 6 | 30117005 | | 喂针 | spreader | 1 |
| 7 | 30104022 | | 喂针架 | lever/assy | 1 |
| 8 | 30113034 | | 挑线杆 | thread takenp | 1 |
| 9 | 30109023 | | 挑线固定块 | thread guide | 1 |
| 10 | 30116023 | | 压脚 | presser foot assy | 1 |
| 11 | 30134011 | | 针古 | needle holder | 1 |
| 12 | 30128035 | | 针夹头夹线 | thread guide | 1 |
| 13 | 30115026 | | 针板 | needle plate | 1 |
| 14 | 30114016 | | 送布牙 | main feed dog | 1 |
| 15 | 30114017 | | 差动牙 | differntial feed dog | 1 |
| 16 | 30104041 | | 弯针架 | looper holder | 1 |
| 17 | 30117014 | | 前下弯针 | lower looper(front) | 1 |
| 18 | 30117015 | | 后下弯针 | lower looper(back) | 1 |
| 19 | 3010400800 | | 护针挡架 | lever assy | 1 |
| 20 | 30109024 | | 后护针挡 | needle guard | 1 |
| 21 | 30113034 | | 过线 | thread guide | 1 |
| 22 | 30113035 | | 过线(中间) | thread guide | 1 |
| 23 | 30113036 | | 打线架过线 | thread guide | 1 |
| 24 | 30113037 | | 打线架右过线 | thread guide | 1 |
| 25 | 30104048 | | 过线架 | thread guide | 1 |



三十三、附件部件 / Accessories assemblies

| 序号 NO | 件号 Parts No. | 参考件号 Ref.Part.No. | 名 称 | Description | 数量 Number |
|----------|-----------------|----------------------|----------------|-------------------------|--------------|
| 1 | 20131037 | | 油壶(大) | oil container | 1 |
| 2 | 20131038 | | 硅油壶 | oiler | 1 |
| 3 | 20131039 | | 漏斗 | oil funnel | 1 |
| 4 | 20131038 | | 硅油 | container silicone | 1 |
| 5 | 20131051 | | 镊子 | tweezers | 1 |
| 6 | 30131007 | | 内六角扳手(1.5mm) | allen key/1.5mm | 1 |
| 7 | 20131046 | | 内六角扳手(2mm) | allen key/2mm | 1 |
| 8 | 30131010 | | 内六角扳手(3mm) | allen key/3mm | 1 |
| 9 | 30131012 | | 内六角扳手(4mm) | allen key/4mm | 1 |
| 10 | 20131047 | | 内六角扳手(5mm) | allen key/5mm | 1 |
| 11 | 20131056 | | 内六角扳手(6mm) | allen key/6mm | 1 |
| 12 | 30131009 | | 内六角扳手(8mm) | allen key/8mm | 1 |
| 13 | 10131002 | | 螺丝刀(大) | screwdriver(large) | 1 |
| 14 | 10131003 | | 螺丝刀(中) | screwdriver(medium) | 1 |
| 15 | 10131004 | | 螺丝刀(小) | screwdriver(small) | 1 |
| 16 | 20131044 | | 内六角扳手(1.5mm直柄) | allen key driver(1.5mm) | 1 |
| 17 | 30131018 | | 链条 | chain | 1 |
| 18 | 10131005 | | 机头罩 | dust cover | 1 |
| 19 | 30117001 | | 机针 | needle | 4 |
| 20 | 20136001 | | 滤油器 | filter element | 1 |
| 21 | 30131005 | | 扳手(7mm ~ 9mm) | wrench /(7mm-9mm) | 1 |
| 22 | 30131006 | | 扳手(8mm ~ 10mm) | wrench /(8mm-10mm) | 1 |
| 23 | 30135005 | | 小同步带 | small timing belt | 1 |
| 24 | 30135004 | | 皮带 | Leather belt | 1 |
| 25 | S10005 | | 螺钉 M3 × 3 | screw | 3 |

缝纫组合件 表(1)

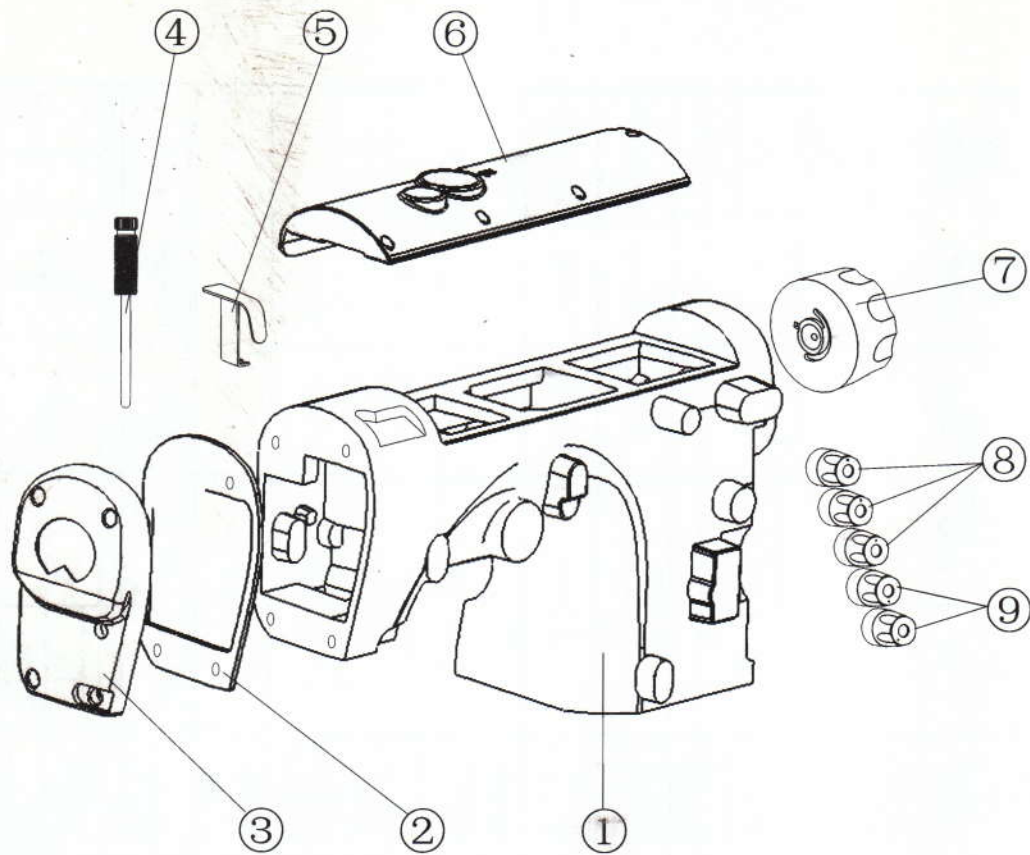
GAUGE PARTS LIST (1)

| 机型 MACHINE TYPE /SPEC. | 缝样 GAUGE | 针舌 NEEDLE HOLDER | 针板 NEEDLE PLATE | 主送布牙 MAIN FEED DOG | 差动送布牙 DIFF. FEED DOG | 压脚 PRESSER FOOT | 弯针 LOOPER | 护针(前) | | 护针(后) | 喂针 SPREADER | 机针 NEEDLE |
|------------------------------|-------------|------------------------|-----------------------|--------------------------|----------------------------|-----------------------|--------------|-----------------|----------------|----------|----------------|--------------|
| | | | | | | | | NEEDLE FRONT | NEEDLE REAR | | | |
| 8568-01CB 8568W-01CB | 240 | 30134006 | 30115016 | 30114012 | 30114011 | 30116020 | 3011700900 | 3011700900 | 30117002 | 30117005 | 30117001 (11#) | |
| | 248 | 30134008 | 30115009 | | | 30116009 | | | | | | |
| | 256 | | | | | | | | | | | |
| | 264 | | | 3011400700 | | | | | | | | |
| | 348 | 30134007 | 30115015 | 30114012 | 30114011 | 30116019 | | | | | | |
| | 356 | 30134001 | 30115002 | | | 3011601300 | | | | | | |
| | 364 | 30134002 | 30115003 | | | 3011601400 | | | | | | |
| 8568-02BB 8568W-02BB | 240 | 30134006 | 30115010 | 30114013 | 30114010 | 30116015 | 3011700900 | 3011700900 | 30117002 | 30117005 | 30117001 (11#) | |
| | 248 | 30134008 | 30115012 | | | 30116018 | | | | | | |
| | 256 | | 30115020 | 30114006 | 30114005 | | | | | | | |
| | 264 | | 30115021 | | | | | | | | | |
| | 348 | 30134007 | | 30114009 | 30114008 | | | | | | | |
| | 356 | 30134001 | 30115006 | 30114006 | 30114005 | 30116005 | | | | | | |
| | 364 | 30134002 | 30115007 | | | 30116006 | | | | | | |

缝纫组合件 表 (2)

GAUGE PARTS LIST (2)

| 机型 MACHINE TYPE /SPEC. | 缝样 GAUGE | 针壳 NEEDLE HOLDER | 针板 NEEDLE PLATE | 主送布牙 MAIN FEED DOG | 差动送布牙 DIFF. FEED DOG | 压脚 PRESSER FOOT | 弯针 LOOPER | 护针(后) | | 喂针 SPREADER | 机针 NEEDLE | |
|------------------------------|-------------|------------------------|-----------------------|--------------------------|----------------------------|-----------------------|----------------------|--------------------------------|-------------------------------|----------------|----------------|--|
| | | | | | | | | 护针(前) NEEDLE GUARD FRONT | 护针(后) NEEDLE GUARD REAR | | | |
| 8568-03DB 8568W-03DB | 240 | 30134006 | 30115016 | 30114012 | 30114011 | 30116020 | 3011700900 | 3011700900 | 30117002 | 30117005 | 30117001 (11#) | |
| | 248 | 30134008 | 30115009 | | | 30116009 | | | | | | |
| | 256 | | | 3011400700 | | | | | | | | |
| | 264 | | | | | | | | | | | |
| 8568-05CB 8568W-05CB | 348 | 30134007 | 30115015 | 30114012 | 30114011 | 30116019 | 3011700900 | 3011700900 | 30117002 | 30117005 | 30117011 (14#) | |
| | 356 | 30134001 | 30115002 | | | 3011601300 | | | | | | |
| | 364 | 30134002 | 30115003 | 3011400700 | | 3011601400 | | | | | | |
| | 356 | 30134001 | 30115004 | | | 30116003 | | | | | | |
| 8568-07CB 8568W-07CB | 364 | 30134002 | 30115005 | 30114004 | 30114003 | 30116004 | 3011700900 | 3011700900 | 30117002 | 30117005 | 30117001 (11#) | |
| | 356 | 30134001 | 30115002 | | | 30116003 | | | | | | |
| | 364 | 30134002 | 30115003 | 3011400700 | | 30116004 | | | | | | |
| | 240 | 30134006 | 30115016 | | | 30116020 | | | | | | |
| 8568-08AC 8568W-08AC | 248 | 30134008 | 30115009 | 30114012 | 30114011 | 30116009 | 3011700900 | 3011700900 | 30117002 | 30117005 | 30117001 (11#) | |
| | 260 | | | | | | | | | | | |
| | 264 | | | 3011400700 | | | | | | | | |
| | 348 | 30134007 | 30115015 | 30114012 | 30114011 | 30116019 | | | | | | |
| 8568-21BB 8568W-21BB | 356 | 30134001 | 30115004 | 3011400700 | | 3011601300 | 3011700900 | 3011700900 | 30117002 | 30117005 | 30117011 (14#) | |
| | 364 | 30134002 | 30115005 | | | 3011601300 | | | | | | |
| | 356 | 30134003 | 30115008 | 3011400700 | | 30116007 | | | | | | |
| | 364 | 30134005 | 30115011 | | | 30116017 | | | | | | |
| | 356 | | | | | | 3011700900 | 3011700900 | 30117002 | 30117005 | 30117011 (14#) | |
| | 364 | | | | | | | | | | | |
| | 240 | | | | | | | | | | | |
| | 348 | | | | | | | | | | | |
| | 356 | | | 30114016 | 30114017 | | 30117014 30117015 | | 30109024 | 30117005 | 30117011 (14#) | |
| | 364 | 30134011 | 30115026 | | | 30116023 | | | | | | |
| | | | | | | | | | | | | |
| | | | | | | | | | | | | |



8569 专用部件 / 8569 specific parts

| 序号 NO | 件号 Parts No. | 参考件号 Ref.Part.No. | 名称 | Description | 数量 Number |
|----------|-----------------|----------------------|----------|------------------------|--------------|
| 1 | 30101202 | | 上节 | machine frame | 1 |
| 2 | 30122036 | | 左盖面垫 | cover washer | 1 |
| 3 | 30101201 | | 机头左盖(喷漆) | arm cover(left) | 1 |
| 4 | 3013002500 | | 调压螺杆组件 | adjusting bar assembly | 1 |
| 5 | 30112102 | | 针杆护罩 | needle bar cover | 1 |
| 6 | 30201036 | | 上盖(喷漆) | arm cover(top) | 1 |
| 7 | 30101200 | | 手轮 | handwheel | 1 |
| 8 | 20711034 | | 调压螺母 | knob | 3 |
| 9 | 20711034 | | 调压螺母 | knob | 2 |

注1、⑧标记为红色，⑨标记为黄色；

注2、其余零件参照8568机型。