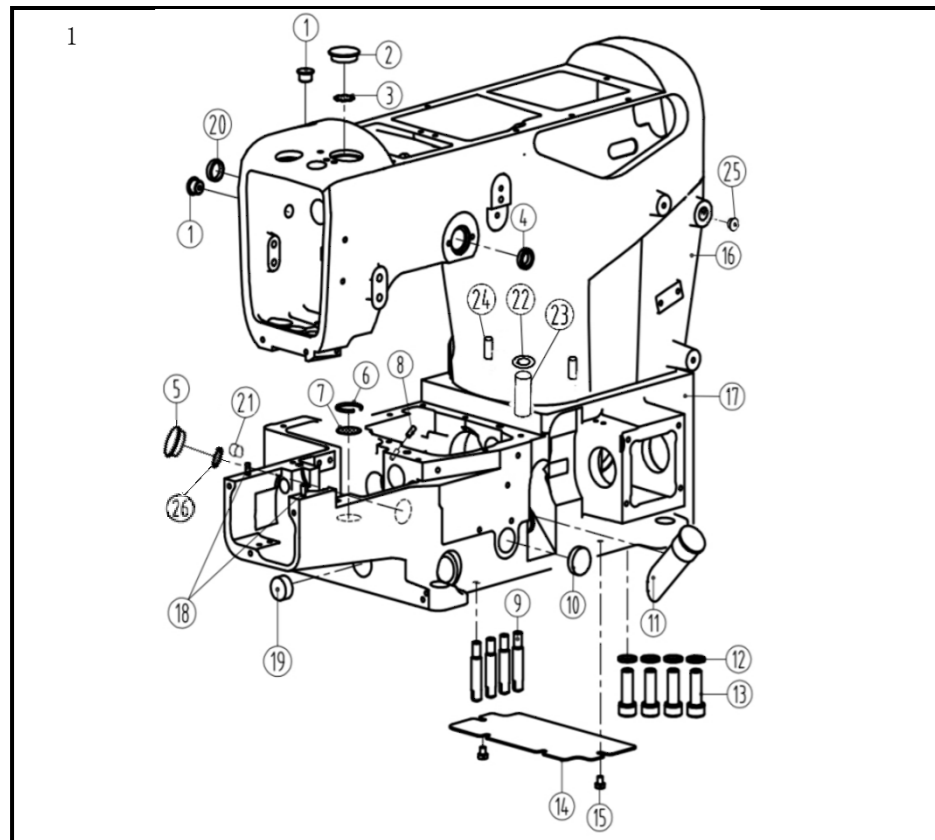


套筒部件/Bushing assemblies

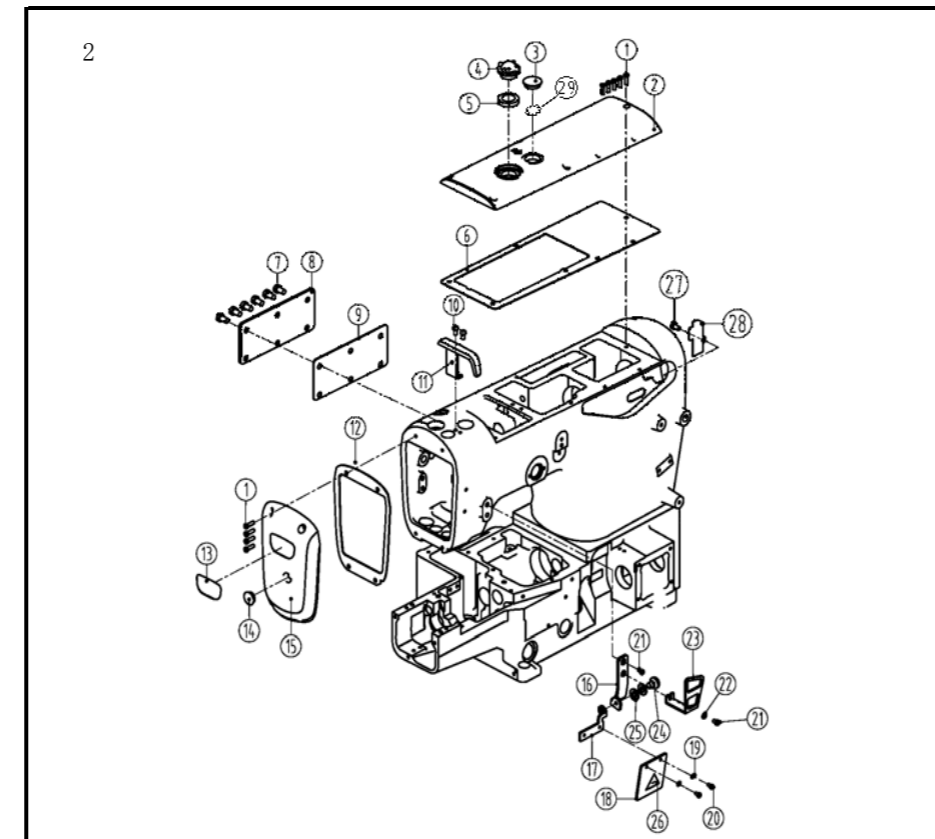
序号 No.	件号 Parts No.	参考件号 Ref. Part. No.	名称	Description	数量 Number
1	31003002		扳手轴套	sleeve	1
2	30103106	210297	过线座轴前后套筒	sleeve	1
3	30103106	210297	过线座轴前后套筒	sleeve	1
4	20103020		送布轴右套	sleeve	1
5	20103020		送布轴右套	sleeve	1
6	30203004	250146	针杆上套筒	sleeve	1
7	30203005	251003	针杆下套筒	sleeve	1
8	30203024	250147	压脚轴套筒	sleeve	1
9	30203025	250136	喂针摆动轴套筒	sleeve	1
10	20622019		油封	plug	1
11	30122039		压脚轴套油封	plug	1
12	30203002	250137	下主轴前套	sleeve	1
13	30203003	250138	下主轴后套	sleeve	1
14	30203006	0628	护针轴套	sleeve	1
15	30203039	0628	护针轴套	sleeve	1
16	30203011	250139	针距轴套	sleeve	1
17	30203017	250140	差动轴前套	sleeve	1
18	30222011		差动油封	plug	1
19	30203018	250141	差动轴后套	sleeve	1
20	30203014		抬牙轴前套	sleeve	1
21	30222010		抬牙油封	plug	1
22	30203015		抬牙轴中套	sleeve	1
23	30203016	204089	抬牙轴后套	sleeve	1
24	30203012		调节座套	sleeve	1
25	30203009	250191	下弯针轴前套	sleeve	1
26	30203010	250144	下弯针轴后套	sleeve	1
27	P03005		弹性圆柱销3×12	pin	1
28	20122029		油封	plug	1
29	20122029		油封	plug	1



零件手册 Parts Manual

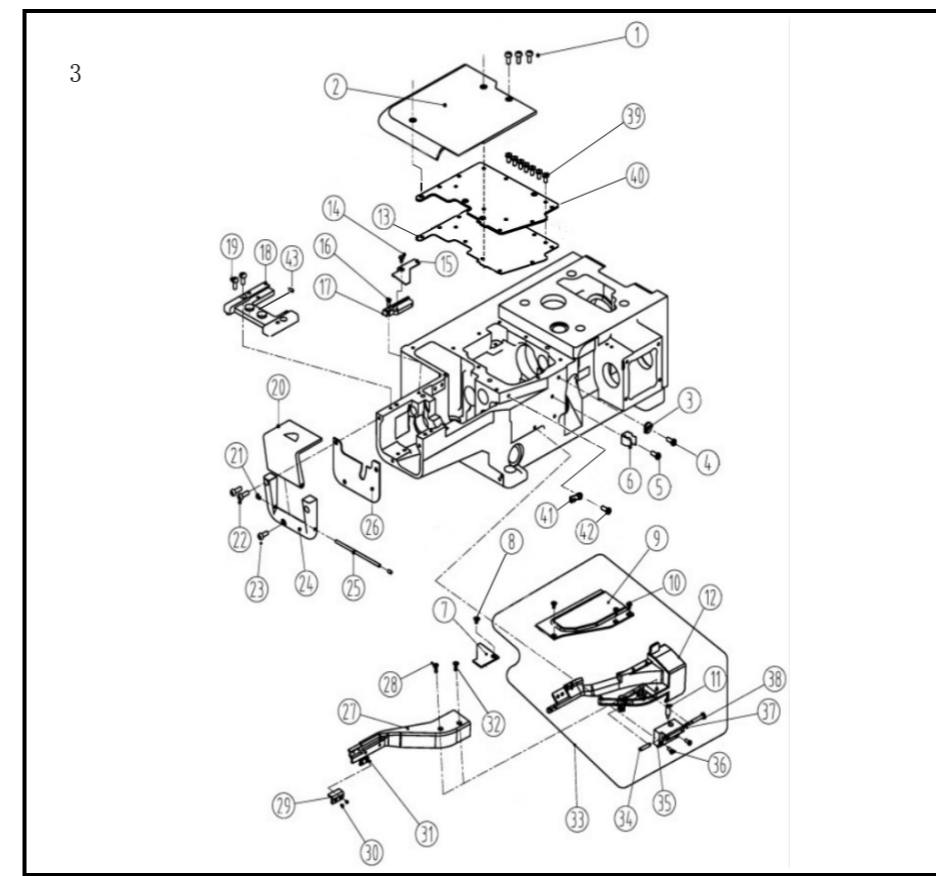
1、车架部件/Frame assemblies

序号 No.	件号 Parts No.	参考件号 Ref. Part. No.	名称	Description	数量 Number
1	30122006	240052	油堵	plug	2
2	21022007		油封	plug	1
3	21012018		油封垫	washer	1
4	20622019		油封	plug	1
5	30222007		密封垫	washer	1
6	H01001	240001	孔用弹性挡圈18	ring	1
7	30112001	255002	滤油网	filter	1
8	30123014		油线	pin	1
9	301S30001	250117	机壳螺钉	bed pin	4
10	20122009	210003	油封	plug	1
11	30111001	206590	油标	oil sight gauge	1
12	W02003		垫圈10	washer	4
13	S05001		螺钉M10×27.5	screw	4
14	30112002	250020	盖板	cover	1
15	S01002	7017	螺钉M4×6.5	cscrew	2
16	100886		机壳上节	chassis	1
17	100887		机壳下节	Casing under section	1
18	30226004		定位销	pin	2
19	30122007		油封	plug	1
20	30122008		油封	plug	1
21	30222003		油堵	plug	1
22	001001		O型圈 15×2.65	o ring	1
23	30221016		铜油管	oil pipe	1
24	P02002		销6×32	pin	2
25	31022015		油封	plug	1
26	21012018		油封垫	washer	1



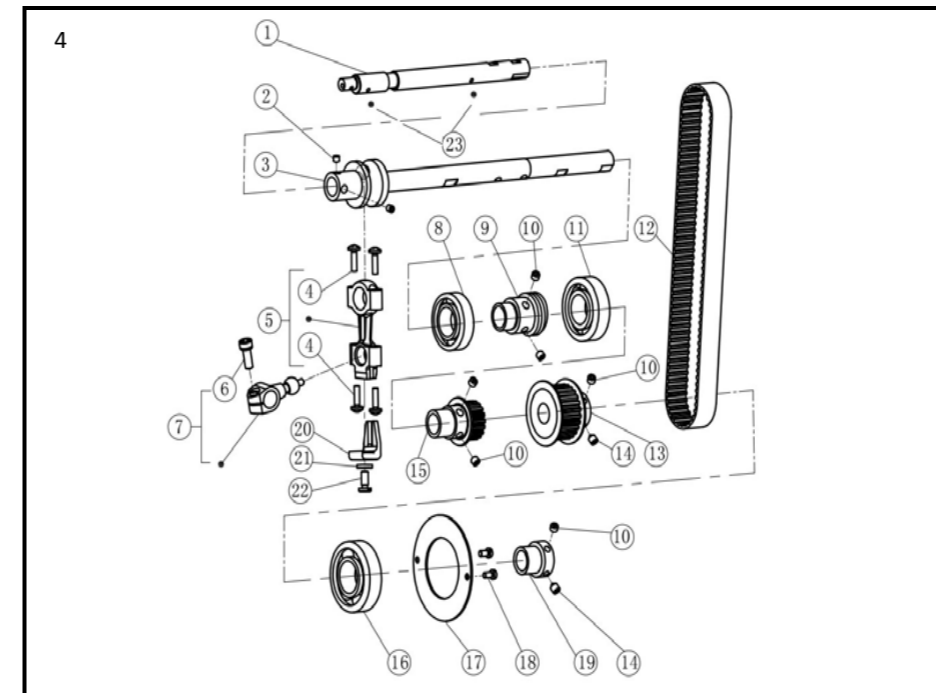
2、罩壳部件/Cover assemblies

序号 No.	件号 Parts No.	参考件号 Ref. Part. No.	名称	Description	数量 Number
1	S04050	7021	螺钉M4×10	screw	9
2	303600		上盖(喷漆)	arm cover (top)	1
3	20722007		油封	plug	1
4	20711055		油窗	Oil Sight Window	1
5	21022003		油窗垫	o ring	1
6	31022010		上盖垫	The head gasket	1
7	S01060	7052	螺钉M6×10	screw	6
8	303605	250154	后盖板	arm cover (rear)	1
9	31022013	250155	后盖板垫	gasket	1
10	207S11007		螺钉	screw	2
11	31012020		针杆护罩	needle bar cover	1
12	31022006		机头上盖垫	o ring	1
13	13837002		商标牌	plug	1
14	10122003		面板调节孔塞	plug	1
15	303599		机头上盖(喷漆)	arm cover (rear)	1
16	31012042		玻璃罩安装板	glass plate	1
17	31012029		护罩架	Shield frame	1
18	30111003	250257	有机玻璃罩	eye guard	1
19	W01002	202875	垫圈	sticker	2
20	S01006	7009	螺钉M3×4.5	screw	2
21	S01060	7052	护罩螺钉	screw	2
22	W02004	303335	垫圈6	sticker	1
23	31012012		过线护罩	thread takeup cover	1
24	301S20001		螺钉	screw	1
25	W03001	210307	波形垫圈	washer	2
26	20131063		护罩警示牌	sticker	1
27	S01055		螺钉	screw	1
28	20711210		R型线夹3.3	Card line piece	1
29	21012018		油封垫	plug	1



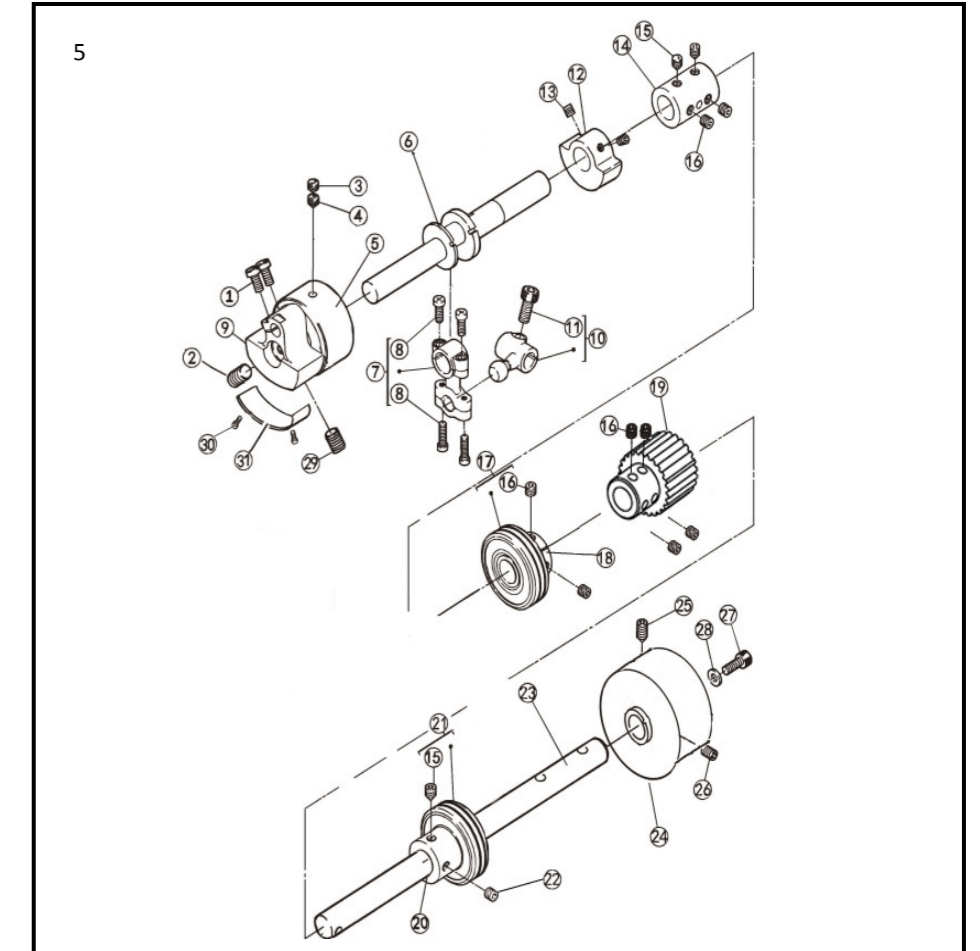
3、缝台部件/Cloth plate assemblies

序号 No.	件号 Parts No.	参考件号 Ref. Part. No.	名称	Description	数量 Number
1	S01005	7021	螺钉M4×10	screw	3
2	303607		后缝台组件(喷漆)	bed cover	1
3	30213009		过线环	threadguide	1
4	S01055		螺钉 M4×6	screw	1
5	S01055		螺钉 M4×6	screw	1
6	30227030		卡簧	circclip	1
7	31012081		前罩缝台拼接块	Front cover joint	1
8	S02003		螺钉 M4×6	screw	1
9	31012088		前罩缝台面板	Front cover panel	1
10	301S11040	007043	螺钉M4×5	screw	3
11	310S20011		四合一缝台卡簧螺钉	screw	1
12	31001013		前罩缝台	Front hood	1
13	30222027		盖板垫	Flat mat	1
14	S02003		螺钉 M4×6	screw	1
15	31012080		缝台板	bed cover	1
16	207S11019		螺钉M4×7.5	screw	1
17	31001015		缝台块安装座	Mounting seat	1
18	31001005		针板架	needle plate	1
19	S01005		螺钉M4×10	screw	2
20	31012023	0389	左盖板	cover plate assembly	1
21	S10007	4554	螺钉M4×4	screw	2
22	S04060	7024A	螺钉M4×10	screw	2
23	207S11007		螺钉M4×7.5	screw	1
24	303604	0388	U型盖(喷漆)	left cover plate rack	1
25	31026004	0330	下节左盖板销	pin	1
26	31022004	0325	左盖密封垫	needle tom after boards	1
27	303930		前罩缝台盖(喷漆)	Front cover	1
28	310S01011		螺钉M5×10	screw	1
29	3111203400		针板架接块	bracket	1
30	S01009		螺钉M3×7.5	screw	2
31	31012084		针板接块接块	Needle plate block	1
32	310S01011		螺钉M5×10	screw	1
33	303928		前罩缝台组件(喷漆)	Front cover	1
34	31026006	240198	销	pin	1
35	31001014		合销块	Closing pin	1
36	207S11016	007022A	螺钉M4×16	screw	2
37	30128002		垫片	bracket assembly	2
38	310S20006	250013	合销块螺钉	screw	1
39	L02001		螺钉M3×3	screw	7
40	30212288		盖板	Cover plate	1
41	30213045		过线	thread guide	1
42	207S11019		螺钉M4×7.5	screw	1
43	30122018		防震垫	cushion	1



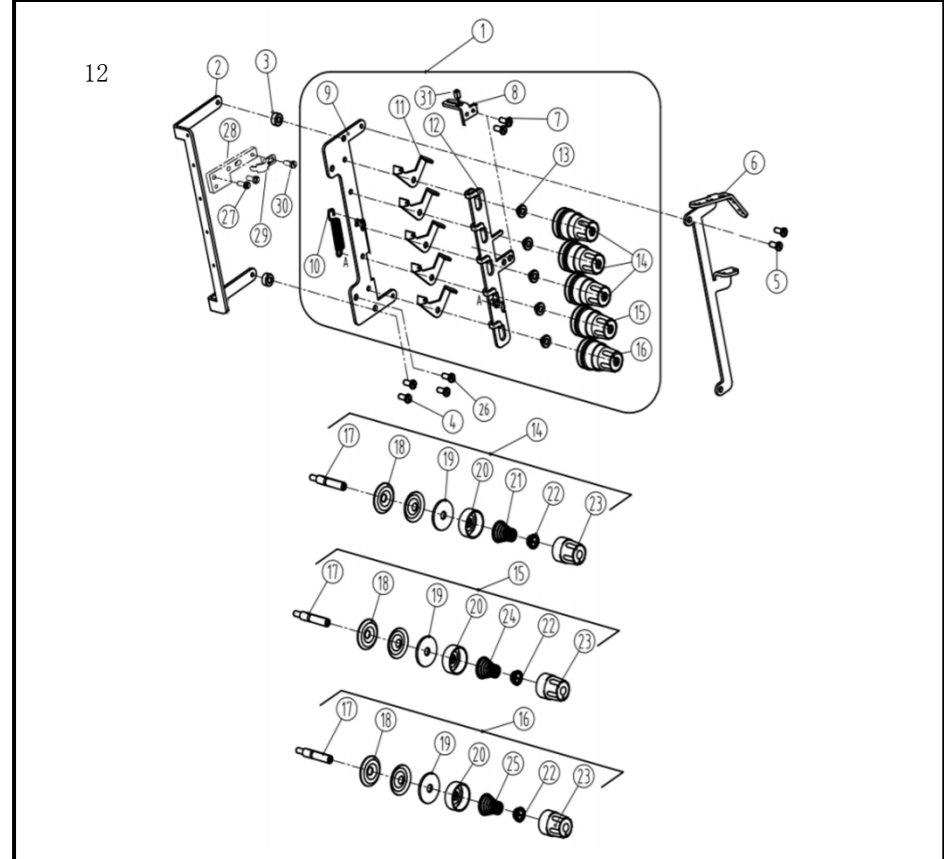
4、下轴部件/Hook shaft assemblies

序号 No.	件号 Parts No.	参考件号 Ref. Part. No.	名称	Description	数量 Number
1	400082	250551	下轴前轴	crankshaft	1
2	S10015	7128	螺钉M6×0.75×4	screw	2
3	31002008	250554-92	下轴后轴	crankshaft	1
4	201S20015	5376	钢连杆螺栓M3.5×13	connection	4
5	400070	210091-92	球连杆	connection	1
6	S05002	4534	螺钉 M6×0.75×15.2	bolt	1
7	400228	252056-92	球曲柄	crank	1
8	3012400300	250529A91	油封轴承	bearing	1
9	30103008	250544	销杆	bushing	1
10	S10029	4547	螺钉 M6×0.75×5	screw	6
11	3012400400	250557-91	油封轴承	bearing	1
12	30135021		同步带	timing belt	1
13	3023502500	401	下轴同步带轮组件	gear (lower)	1
14	S12003	4555	螺钉M6×0.75×7	screw	2
15	3023502600	402	下轴小同步带轮组件	gear (lower)	1
16	B01003		油封轴承	bearing	1
17	30108001	250514	轴承挡圈	ring	1
18	207S11019	7018A	螺钉M4×7.5	screw	2
19	31003004		下轴轴承套	bushing	1
20	30109001	201074	比叉	guide	1
21	W02001	202286	垫圈5	washer	1
22	301S11004	4019	比叉螺钉	screw	1
23	30223009		毛毡	sponge	2



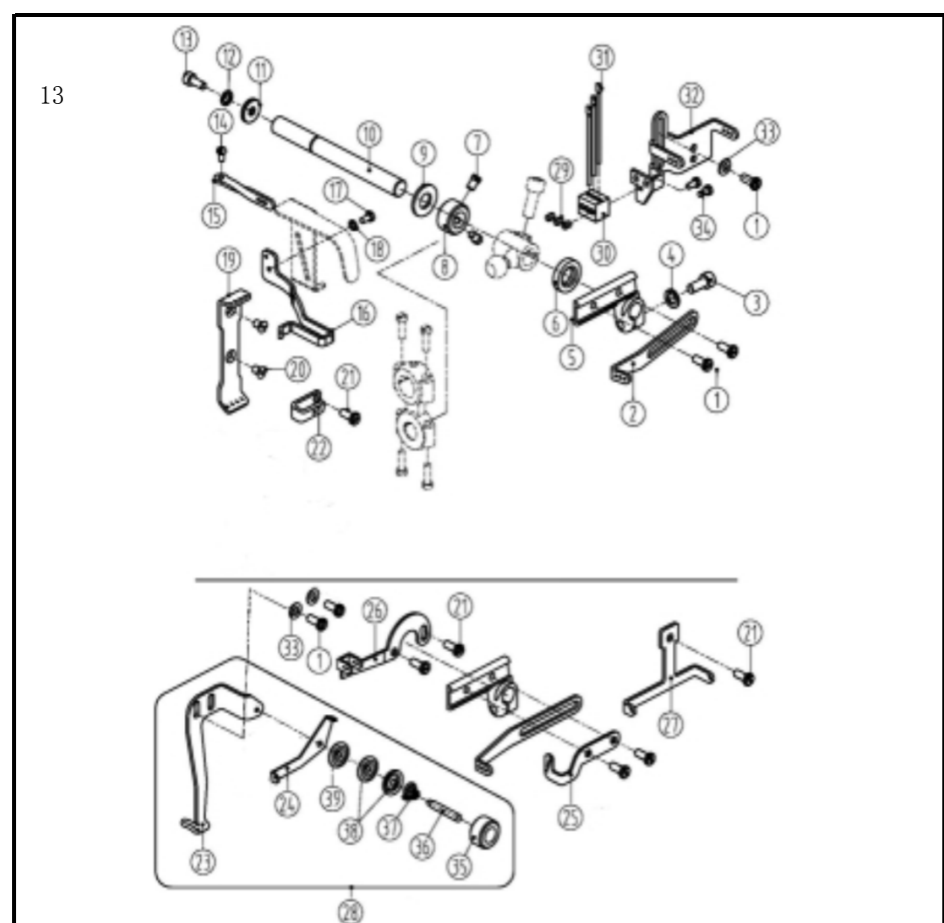
5、上轴部件/Main shaft assemblies

序号 No.	件号 Parts No.	参考件号 Ref. Part. No.	名称	Description	数量 Number
1	S01011	7028	螺钉M5×10	screw	2
2	301S10004	4592	针杆曲柄螺钉	screw	1
3	S08001	7153	螺钉M6×0.75×3.5	screw	1
4	S11001	7152	螺钉M6×0.75×6	screw	1
5	30224005		针杆曲柄轴承	bearing	1
6	400065	250560A	上轴前轴	crankshaft	1
7	400061	253500-92	弯针连杆	connection assembly	1
8	S01008	007021A	螺钉M3.5×13	screw	4
9	31004006		针杆曲柄	motion assy	1
10	30104006	253501A	弯针曲柄	crank assembly	1
11	S05002	4534	螺钉M6×0.75×15.2	bolt	1
12	30109003	250524	上轴平衡块	balance weight	1
13	S10002	4514	螺钉M5×5	screw	2
14	30103004	250506	接轴套	joint	1
15	S12003	4555	螺钉M6×0.75×7	screw	3
16	S10029	4547	螺钉M6×0.75×5	screw	8
17	3012400400	250529-91	油封轴承	bearing	1
18	30103012		轴承套	bushing	1
19	31035022		上同步带轮	gear (upper)	1
20	31003003		上轴轴承套	bushing	1
21	3012400400	250528-91	油封轴承	bearing	1
22	S10029	4547	螺钉M6×0.75×5	screw	1
23	31002011		上后轴	shaft	1
24	31035002		手轮	pulley	1
25	S12001	4556	螺钉M6×8	screw	1
26	S10009	4541	螺钉M6×8	screw	1
27	S05004	4501	螺钉	screw	1
28	W01004	204585	垫片	washer	1
29	S10004	4592	螺钉M8×1×12	screw	1
30	S02003		螺钉	screw	2
31	31009001		针杆曲柄平衡块	balance weight	1



12、松线部件/Thread loosing assemblies (one)

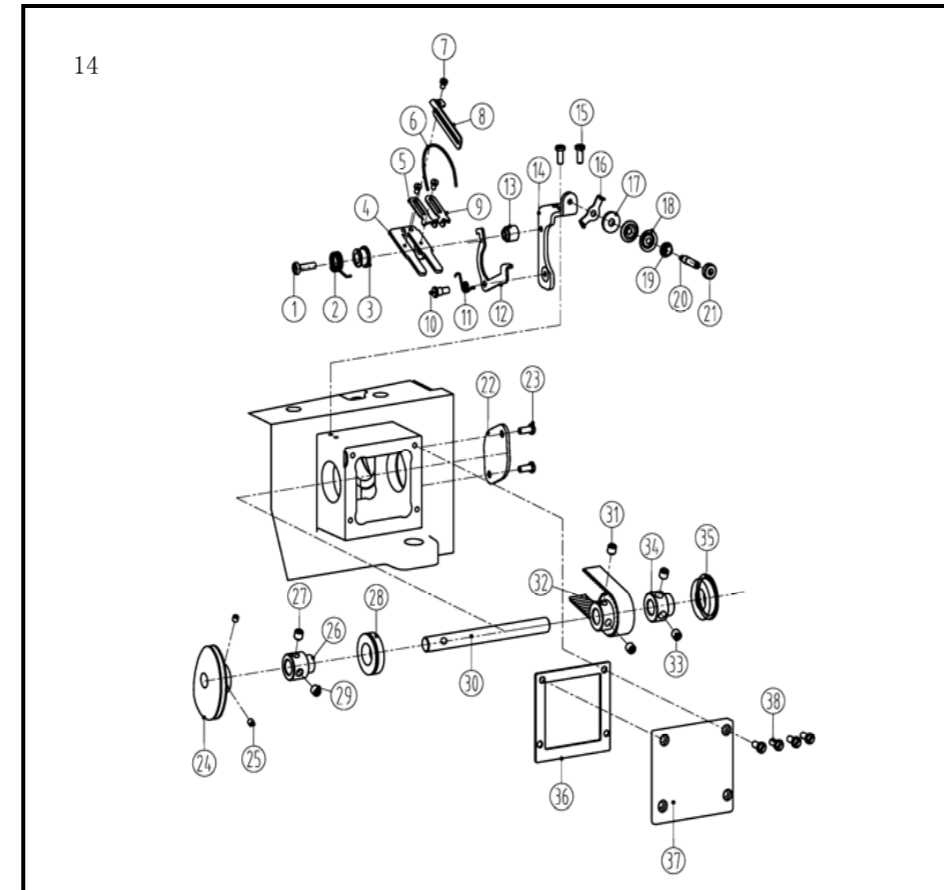
序号 No.	件号 Parts No.	参考件号 Ref. Part. No.	名称	Description	数量 Number
1	3101300800		夹线器	tension	1
2	31013014		松线架	Loose thread stand	1
3	31009004		松线垫块	block	2
4	S04019		螺钉M4×12	screw	2
5	207S1011		螺钉M4×5	screw	2
6	31013022		夹线器过线	Loose line board	1
7	207S1011		螺钉M4×5	screw	2
8	31012048		松线拉板	Loose line board	1
9	31013007		过线架	Loose line board	1
10	30127010		调节板簧	reset spring	1
11	30113007		二孔过线板	thread guide	5
12	31013008		松线板	Loose line board	1
13	30103041	206202	调节套	spacer	5
14	3011300400	254010A9U	调线组件(强)	tension spring assembly(heavy)	3
15	3011300500	254010B9U	调线组件(中)	tension spring assembly	1
16	3011300600	254010C9U	调线组件(弱)	tension spring assembly(light)	1
17	301S30010	001817-2A	夹线延	screw stud	1
18	30128016	210319	夹线片	tension disc	2
19	20623008		松线夹线片垫	felt	1
20	21111096	208450-UA	调压止动盖	cup	1
21	30127011	301037	调压簧(强)	spring(heavy)	3
22	30111006	208448	调压止动套	ratchet	1
23	20111091	208447-UA	调压螺母	nut	1
24	30127012	201086	调压簧(中)	spring(medium)	1
25	30127013	201068	调压簧(弱)	spring(light)	1
26	207S11019		螺钉M4×7.5	screw	2
27	207S11019		螺钉M4×7.5	screw	2
28	31012044		松线支撑板	Plate	1
29	31012025		钢丝绳压板	Plate	1
30	207S11019		螺钉M4×7.5	screw	1
31	310220020		松线钢丝绳轴	Wirerope	1



13、过线部件/Thread loosing assemblies

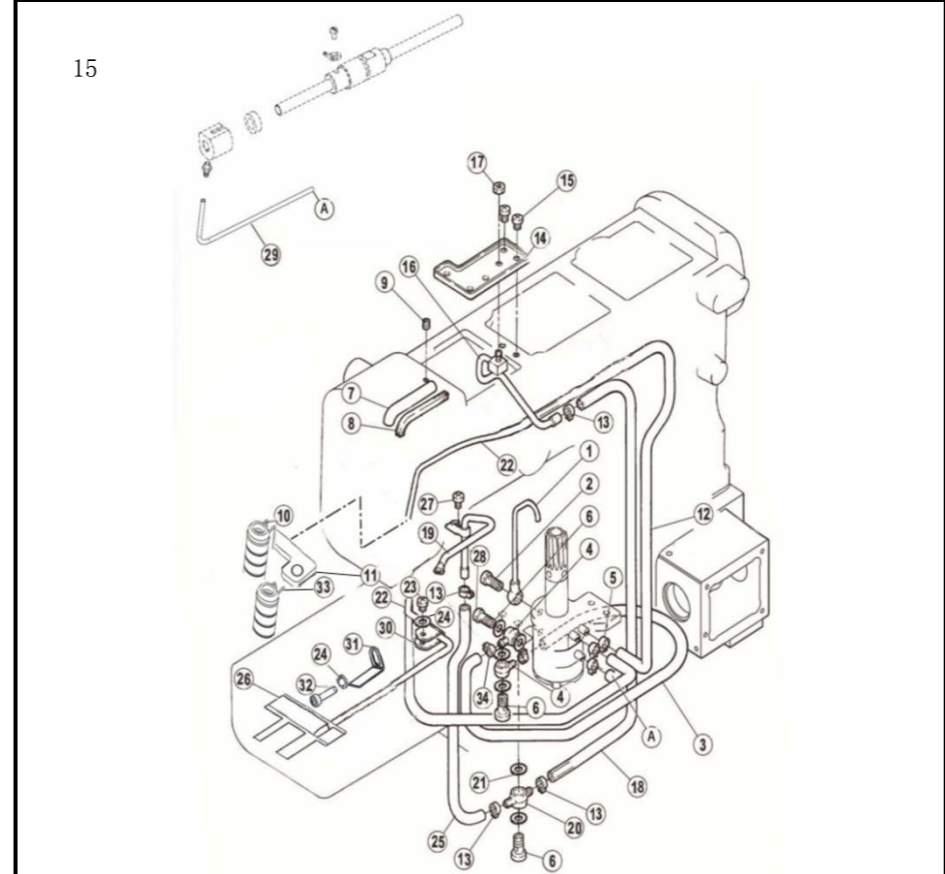
序号 No.	件号 Parts No.	参考件号 Ref. Part. No.	名称	Description	数量 Number
1	207S11019	7019	螺钉M4×7.5	screw	5
2	31013006	253505A	长过线板	thread take-up	1
3	S05004	4501	螺钉M5×14	screw	1
4	W02001	303067	垫圈	washer	1
5	30101018	253504	过线座	lever	1
6	20622019		油封	plug	1
7	301S12001	5084	曲柄螺钉	screw	2
8	30108008	240201	过线座轴挡圈	ring	1
9	30128008		摆架轴垫圈	washer	1

10	31002001	253503	过线座轴(中轴)	shaft	1
11	30128019	204107	摆线轴垫圈4.5	washer	1
12	W02002	201252	M4垫圈	washer	1
13	S05048	4527	螺钉M4×10	screw	1
14	31105001		针杆螺钉	screw	1
15	31013017	253507	针杆三孔过线	thread guide	1
16	31012022		护线罩	thread support	1
17	S01006		螺钉	screw	1
18	30128034		护线罩垫圈3.5	washer	1
19	31013005		针杆过线板	thread guide	1
20	207S17003		螺钉M4×7.5	screw	2
21	207S11019	7018	螺钉M4×7.5	screw	4
22	31012045		U型夹线座	thread tension bracket	1
23	30112032	253547	喂针二眼过线	thread guide	1
24	31012046	253548	喂针过线板	thread guide	1
25	31012018		长过线板	thread guide	1
26	30112029	253514	喂针过线	thread guide	1
27	31013011	253515	过线板	thread guide	1
28	3101204600		喂针二眼过线组件	thread guide	1
29	S10005		螺钉M3×3	screw	3
30	30113012	253545	针杆过线座	holder	1
31	30113013	234521	过线杆	thread guide	3
32	30112027	253544	硅油盒固定架	thread guide	1
33	W01001	303448	M4垫圈	washer	3
34	S01006	7009	螺钉M3×4.5	screw	2
35	302S16005		调压螺母	adjusting nut	1
36	301S30055		调压螺钉	adjusting screw	1
37	12927012	137109	夹线簧	spring	1
38	12928036	137108	夹线片	thread retainer	2
39	10128001		松线轴钉垫片	sticker	1



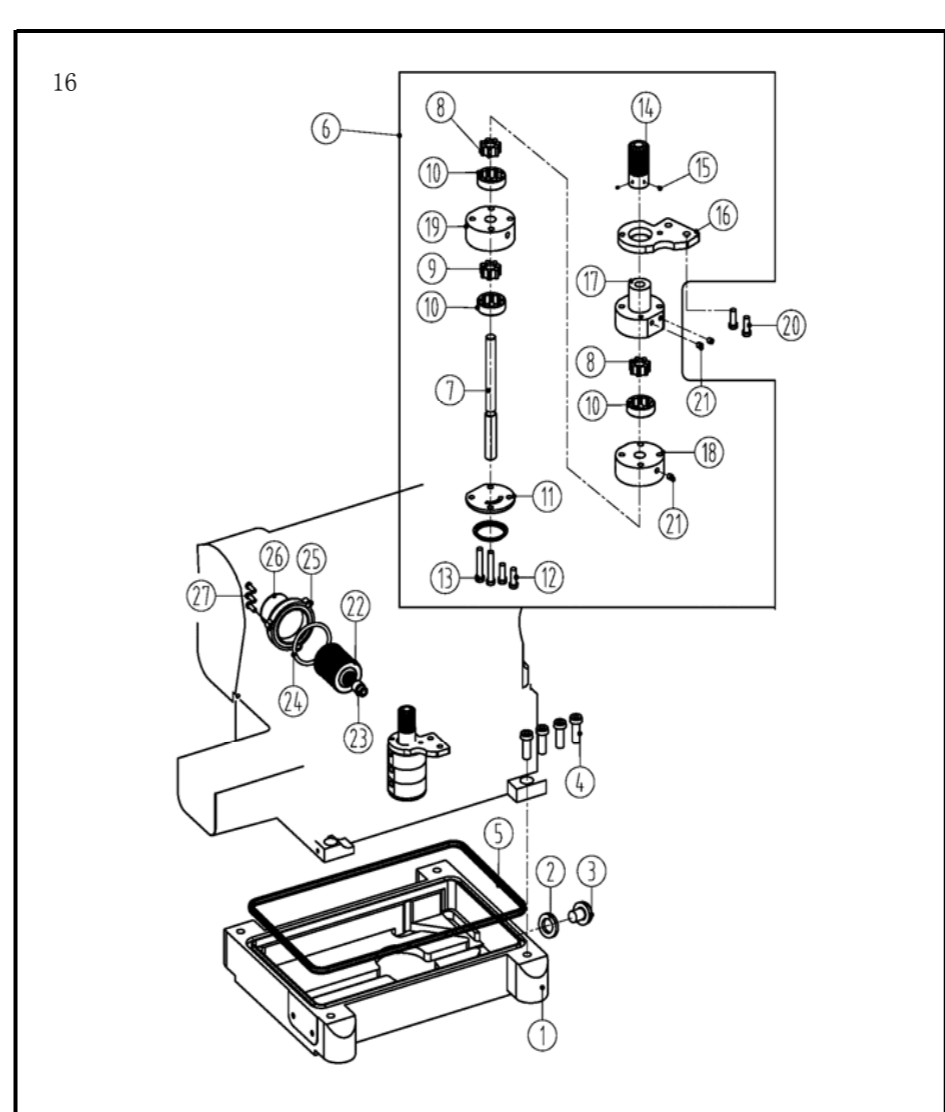
14、打线凸轮部件/Cam assemblies

序号 No.	件号 Parts No.	参考件号 Ref. Part. No.	名称	Description	数量 Number
1	S04004		螺钉M4×15	screw	1
2	30227016	1516	复位弹簧	reset spring	1
3	30208020	1520	打线架挡圈	Fight line retaining ring	1
4	30212068	1568	打线架挡圈	bracket	1
5	30313019		打线凸轮左过线	thread guide(left)	1
6	30123022		毛根	Wool top	1
7	S01006	7009	螺钉M3×4.5	screw	3
8	30212084	1584	打线片	thread guide	1
9	30313020		打线凸轮右过线	thread guide(right)	1
10	310S20007		螺钉	screw	1
11	31027002		限位片复位簧	reset spring	1
12	31012037		打线凸轮架扳手	fight line wrench	1
13	30208022	1522	打线凸轮架止动圈	stop	1
14	31012036		打线凸轮架安装板	layer	1
15	S01002	7017	螺钉M4×6.5	screw	2
16	30213024	167079	两眼过线	thread guide	1
17	10128001		松线轴钉垫片	sticker	1
18	12928036	137108	小夹线片	thread retainer	2
19	12927012	211388	夹线簧	spring	1
20	301S30055		调压螺钉	adjusting screw	1
21	302S16005		调压螺母	adjusting nut	1
22	31012034		打线凸轮端盖	cover	1
25	S10007		螺钉M4×4	screw	2
24	3101302700		打线凸轮组件(外移)	looper thread take-up	1
25	S10007		螺钉M4×4	screw	2
26	31008010		轴承套	collar	1
27	S10007		螺钉M4×4	screw	1
28	B04042		深沟球轴承(61902-ZNR)	bearing	1
29	S10007		螺钉M4×4	screw	1
30	31002012		凸轮轴	shaft	1
31	S10029	4547	螺钉M6×0.75×5	screw	2
32	30235027		凸轮轴小同步带	time belt	1
33	S10029	4547	螺钉M6×0.75×5	screw	1
34	30203038		凸轮轴轴承套	bushing	1
35	30224004		油封轴承(6902-ZNR)	bearing	1
36	31022011		凸轮座盖垫	felt	1
37	303603		打线凸轮座盖板	cover	1
38	S01002	7017	螺钉M4×6.5	screw	4
39	S12003	4547	螺钉M6×0.75×7	screw	1

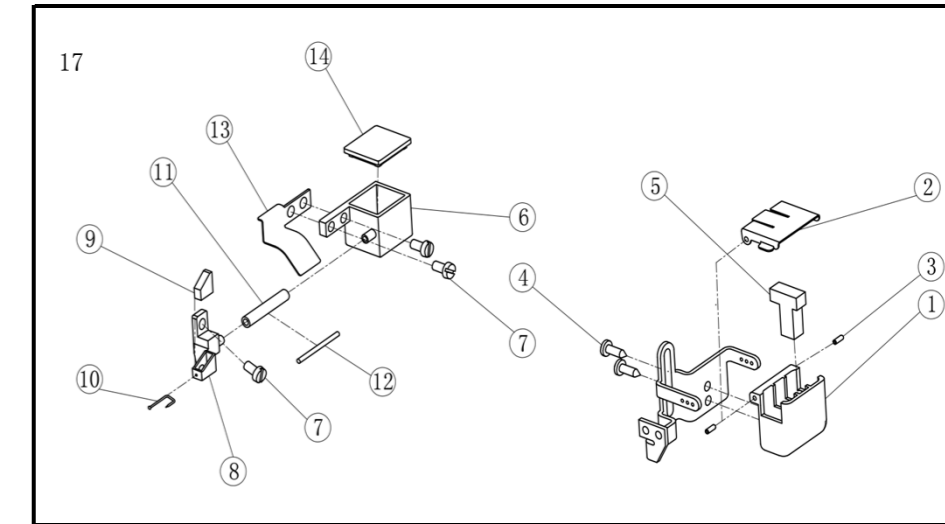


15、润滑部件/Lubrication assemblies

序号 No.	件号 Parts No.	参考件号 Ref. Part. No.	名称	Description	数量 Number
1	30136006	1609	铜油管接头	pipe	1
2	301S30012	255037	油管螺钉	screw	1
3	30121021	205113A	油管Φ5×Φ7	tube	1
4	20636001	200136	油管接头	joint	2
5	30129006	202199	油管卡簧(大)	clamp	2
6	301S30013	200152	过油螺钉	screw	2
7	30221003	255003	铜油管	oil pipe	1
8	30123010	240136	油毡	felt	1
9	S10002	4514	螺钉 M5×5	screw	1
10	31027005		回油毡卡簧	back felt circlip	1
11	3102300100		针杆回油毡组件	The needle bar back felt	1
12	12921002	240006	针杆Φ3×Φ5油管	screw	1
13	20429001	202199	油管卡簧	clamp	4
14	30112039	255006	接油盘	oil guard	1
15	S01002	7017	螺钉 M4×6.5	screw	2
16	3012101500	255007-91	喷油管	oil distributor	1
17	N01001	4821	螺母 M4	nut	1
18	12921005	240134	Φ4×Φ6油管	tube	1
19	3022100800	255094-91	油管组件	oil splash pipe	1
20	30136005	255123	双头油管接头	joint	1
21	20122033		垫片	washer	6
22	12921002		Φ3×Φ5油管	screw	1
23	207S11011		螺钉 M4×5	screw	2
24	W01001		垫片	sticker	2
25	30221023		回油管	pipe	1
26	30223022		机回油毡	felt	1
27	S01002	7018	螺钉M4×6.5	screw	1
28	201S30004		过油螺钉	joint screw	1
29	12921002		Φ3×Φ5油管	tube	1
30	20712055		油管夹	tubing clamps	1
31	30227040		固定板	screw	1
32	S05048		螺钉	screw	1
33	30127060		毛毡卡簧	back felt circlip	1
34	30129006		油管卡簧(大)	clamp	2

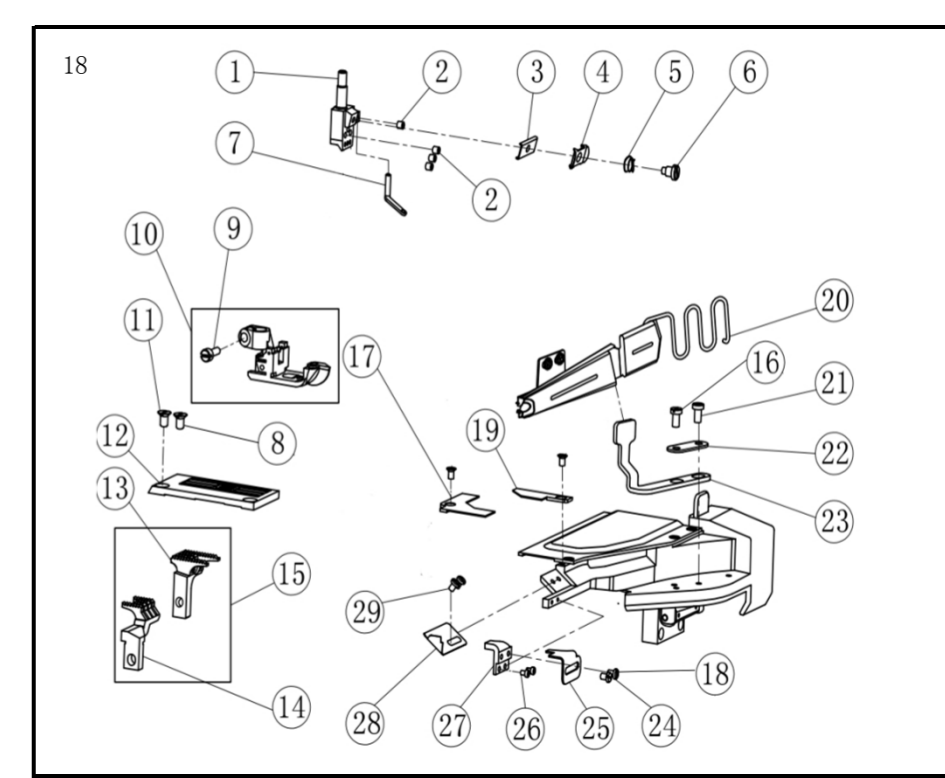


序号 No.	件号 Parts No.	参考件号 Ref. Part. No.	名称	Description	数量 Number
1	30201029	225041	油箱	oil reservoir	1
2	20528014	202287A	垫圈	washer	1
3	301S11015	51388	堵油螺钉	screw	1
4	S05007	4504	螺钉 M5×20	screw	4
5	30222014	255042	油箱密封圈	o ring	1
6	3022000300	1722	油泵组件	oil pump assy	1
7	30102044	255024	油泵轴	shaft	1
8	30120030	1730	主动轮	rotor	2
9	30120030	1730	主动轮	rotor	1
10	30120031	255027	从动轮	rotor	3
11	30120008	255028	油泵盖	cover	1
12	301S20011	7105	油泵螺钉	screw	2
13	302S13002	1713	油泵螺钉	screw	2
14	30125003	255019	油泵蜗轮	worm wheel	1
15	S10002	4514	螺钉 M5×5	screw	2
16	30120002	W17-4	油泵固定板	oil pump fixed plate	1
17	30220002	1714	油泵体(上)	pump body	1
18	30120009	1719	油泵体(中)	pump body	1
19	30120003	1720	油泵体(下)	pump body	1
20	S05004	4534	螺钉 M5×12	screw	2
21	301S30014	205111	过油螺钉	joint screw	3
22	20136004	206233	滤油器	oil filter	1
23	301S30030	210200	螺钉	screw	1
24	001010	206431	O型圈Φ38.7×3.55	O ring	1
25	300140	210201-PD	滤油器盖	cover	1
26	30131004	9A3002	提示说明	filter seal	1
27	207S11008	7021	螺钉M4×12	screw	3



17、硅油盒装置部件/Silicon oil device assemblies

序号 No.	件号 Parts No.	参考件号 Ref. Part. No.	名称	Description	数量 Number
1	30111070		上硅油盒	silicone oil reservoir(upper)	1
2	30112040	207067-PD	上硅油盒盖	cap	1
3	P03008	206781	销 2×6	pin	2
4	S16002	7009	自攻螺钉 ST3.5×8	screw	2
5	30123011	207068	硅油毡	felt	1
6	30201075	1075	下硅油盒	silicone oil box	1
7	207S11019	7019	螺钉M4×7.5	screw	3
8	30201014	255107	固定架	needle cooler(lower)	1
9	30223005	240247	硅油毡	felt	1
10	30126009	210766	销	pin	1
11	12921002	240246	推尼龙油管	tube	1
12	20123021	202175	JK8568油线	oil wick	1
13	30212666	2666	硅油盒挡板	silicone oil box baffle	1
14	30222028	2028	下硅油盒盖	silicone oil box cover	1



18、针位组专用部件/Gauge set specific parts

序号 Ref. No.	公司件号 No	Part	参考件号 Ref. Part. no	名称	Description	数量 Number
1	30134001			356针古	needle holder	1
2	30134002			364针古	needle holder	1
3	S10026	4554		螺钉M3X3	screw	4
4	30112025	234561		夹线板	thread guide	1
5	30112026	253593		压线板	tension disc	1
6	30127014	253517		调压簧	spring	1
7	301S20009	0M09070-2		调线螺钉	screw	1
8	30112033	253511		喂针小过线	thread guide	1
9	302S17001			螺钉(进口)	screw	1
10	301S11010	1170-3		压脚固定螺钉	screw	1
11	3021601000			压脚(01GB)	presser foot assy(01GB)	1
12	30116005			压脚(02BB*356)	presser foot assy(02BB*356)	1
13	30116006			压脚(02BB*364)	presser foot assy(02BB*364)	1</

