

花样模板机

PROGRAMMABLE FORMWORK MACHINE

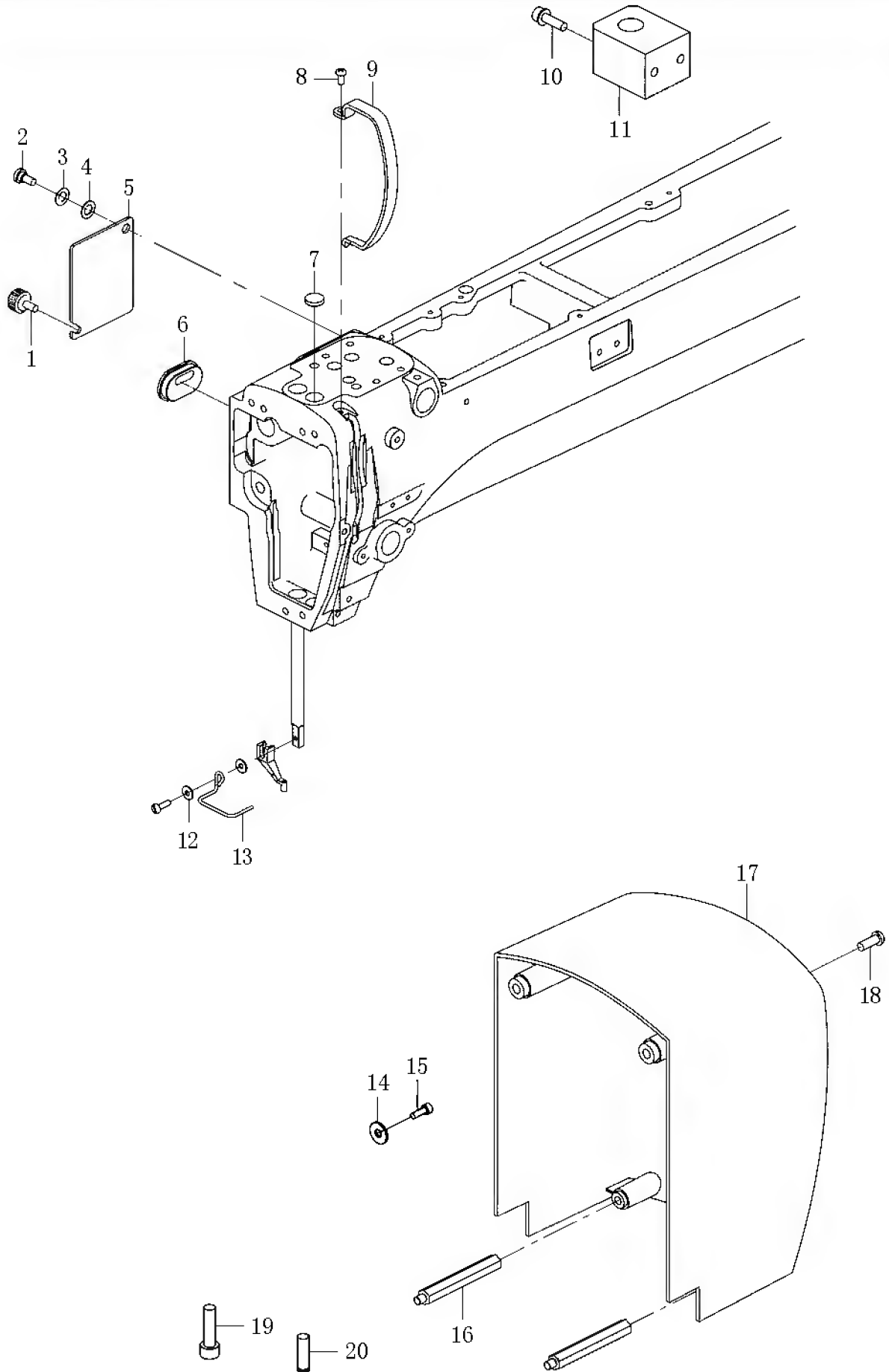
零件样本

PARTS BOOK

目录/CONTENTS

A1、 机体部分 / Machine body	1
A2、 机体部分 / Machine body	3
A3、 机体部分 / Machine body	5
A4、 机体部分 / Machine body	7
B、 上轴针杆装置 / Upper shaft and needle bar mechanism	9
C 1、 送料装置 / Feed mechanism	13
C 2、 送料装置 / Feed mechanism	15
C 3、 送料装置 / Feed mechanism	17
C 4、 送料装置 / Feed mechanism	19
C 5、 送料装置 / Feed mechanism	21
D 2、 抬压装置 / Work clamp lifter mechanism	23
E、 下轴装置 / Lower shaft mechanism	25
F、 供油润滑装置 / Lubrication	27
G、 穿线装置 / Threading mechanism	29
H、 卷线装置 / Bobbin winder mechanism	31
J、 切线装置 / Thread trimmer mechanism	33
K、 扫线装置 / Thread wiper mechanism	35
L、 松线装置 / Tension release mechanism	37
M、 控制箱装置 / Control box mechanism	39
N、 开关装置 / Power switch mechanism	41
P、 空压装置 / Air pressure mechanism	43
Q、 电气部品装置 / Power supply equipment mechanism	45
R、 操作界面装置 / Operation interface mechanism	47
S、 马达装置 / Motor mechanism	49
T、 大压脚装置 / External work clamp mechanism	51
U、 机架部分 / Talbe mechanism	53
W1、 断线感应装置 / Thread breakage detector mechanism	55
Z、 附件 / Accessories	57

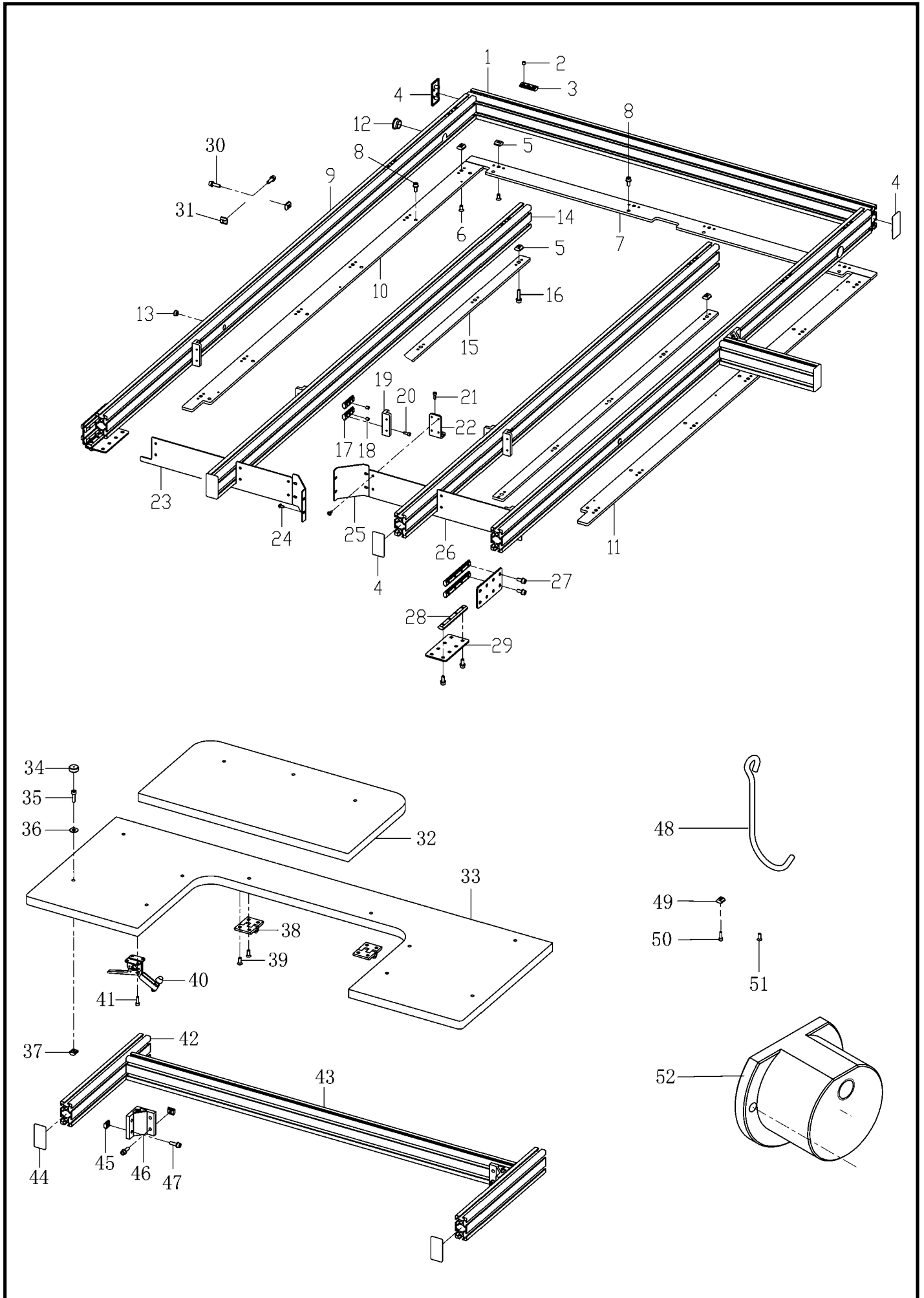
A1 . 机体部分 / Machine body



A1、机体部分/Machine body

序号 No.	件号 Part. No.	参考件号 Ref. No.	零部件名称	NAME OF PARTS	数量 Amt.	备注
1	41711005	S36475000	螺钉M5L	SCREW, M5L	1	
2	417S30012	SA3306001	段螺钉7-3	SHOULDER SCREW, 7-3	1	
3	41728020	120265002	弹簧垫圈	SPRING WASHER	1	
4	41728035	S07350002	垫圈	WASHER PLAIN	1	
5	41711207		间歇盖板Q	STEPPING COVER	1	
6	41722001	SA4596001	橡皮塞20-15	RUBBER CAP 20-15	1	
7	41722009	S20164001	橡皮塞13	RUBBER CAP 13	2	
8	S04079	062401006	螺钉M4×10	SCREW PAN M4×10	1	
9	301760		挑线杆防护罩	THREAD TAKE-UP COVER	1	
10	S05040		螺栓M6×16	BOLT SOCKET M6×16	2	
11	42209505		线架支架	COTTON STAND BRACKET	1	
12	41728025	025350332	平垫圈L3.5	WASHER PLAIN L3.5	2	
13	41712009	SA8679001	护指器	FINGER GUARD	1	
14	41728004	SA4302001	垫圈	WASHER	2	
15	417S30302	S55481001	螺栓（带垫圈）M4×12	BOLT SOCKET (S/P WASHER) M4×12	2	
16	422S30501		后罩支柱	MOTOR COVER PILLAR	2	
17	42211501		后罩	MOTOR COVER	1	
18	S04031	062061616	螺栓M6×16	SCREW PAN M6×16	2	
19	S05060		内六角螺钉M8×25	BOLT SOCKET M8×25	8	
20	41702014	SA4771001	联接板轴	SHAFT STEPPING CLAMP LIFTER LINK	2	

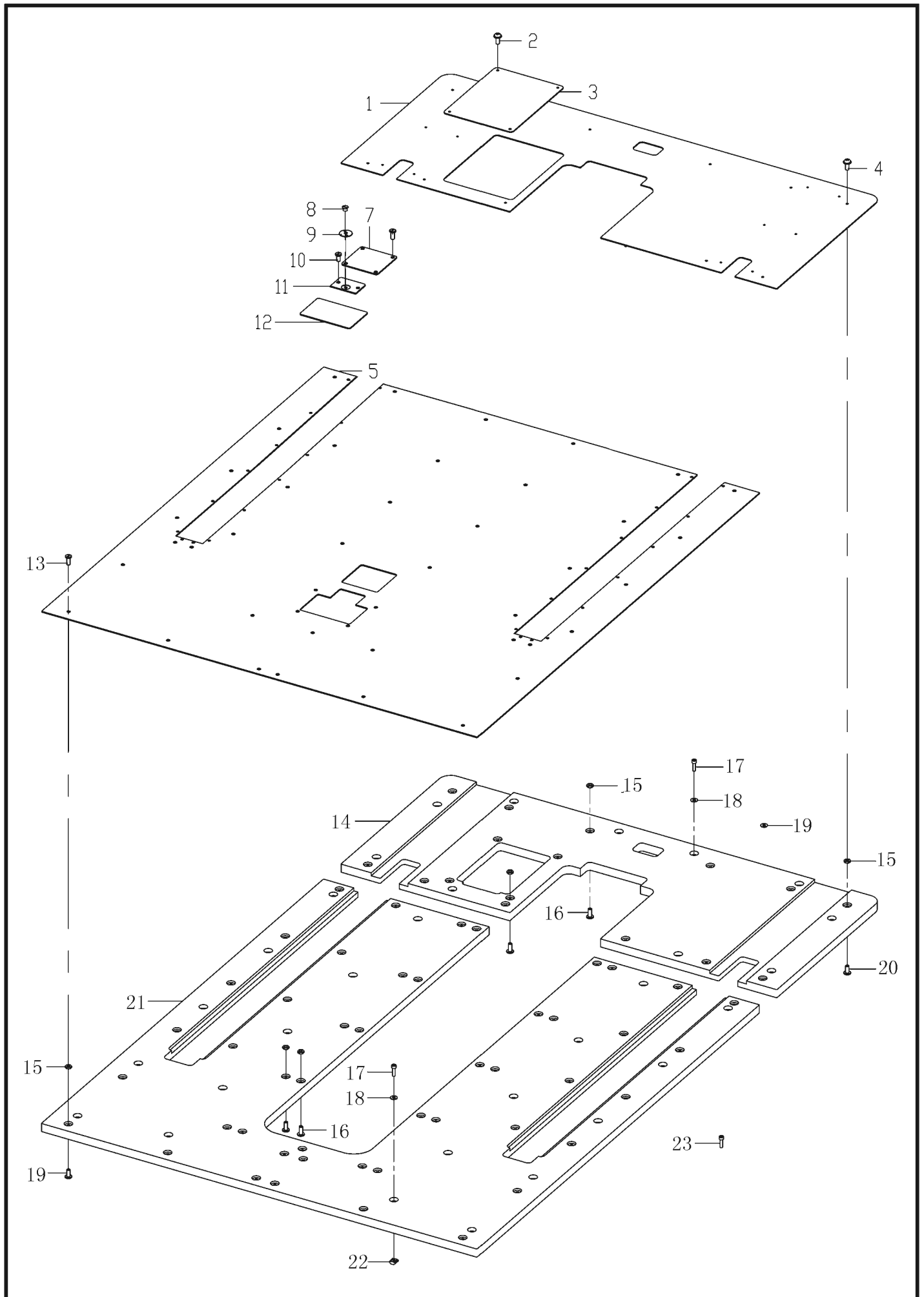
A2 . 机体部分 / Machine body



A2、机体部分/Machine body

序号 No.	件号 Part. No.	参考件号 Ref. No.	零部件名称	NAME OF PARTS	数量 Amt.	备注
1	42232509		铝型材3060A	ALUMINUM PROFILE 3060A	1	
2	S10019	012060636	螺钉M6×6	SET SCREW SOCKET (FT) M6×6	10	
3	42209509		槽条连接件E	CONNECTOR E	10	
4	42211531		端盖3060	COVER 3060	4	
5	422S16503		方形螺母块3060M6	SQUARE NUT 3060M6	29	
6	422S17502		内六角沉头螺钉M6×12	SCREW PLAT M6×12	16	
7	42212507		垫板A	PLATE A	1	
8	417S30037	S42446001	螺栓M6×14	BOLT SOCKET (S/P WASHER) M4×12	14	
9	42232510		铝型材3060B	ALUMINUM PROFILE 3060B	2	
10	42212509		垫板BL	PLATE BL	1	
11	42212598		垫板BR	PLATE BR	1	
12	40122015		橡皮塞	RUBBER CAP	2	
13	41722007	S44010001	橡皮塞11.5	RUBBER CAP 11.5	2	
14	42232511		铝型材3060C	ALUMINUM PROFILE 3060C	2	
15	42212511		垫板C	PLATE C	2	
16	417S30303	S47270001	螺栓(带垫圈)M6×30	BOLT SOCKET (S/P WASHER) M6×20	10	
17	42209510		槽条连接件F	CONNECTOR F	12	
18	S10019	012060636	螺钉M6×6	SET SCREW SOCKET (FT) M6×6	12	
19	42209514		联接支架A	CONNECTING BRACKET A	6	
20	S05048	018401036	螺栓M4×10	BOLT SOCKET M4×10	12	
21	417S30302	S55481001	螺栓(带垫圈)M4×12	BOLT SOCKET (S/P WASHER) M4×12	4	
22	42212593		直角支架	RIGHT ANGLE BRACKET	2	
23	302127	42212519	前挡板	THE FRONT BAFFLE	1	
24	417S30025	0A5401006	螺栓(带垫圈)M4×10DB	SCREW PAN (S/P WASHER) M4×10	27	
25	302743	42212594	角板	ANGLE PLATE	2	
26	302128	42212519	前挡板R	THE FRONT BAFFLE	1	
27	417S30037	S42446001	螺栓M6×14	BOLT SOCKET (S/P WASHER) M4×12	24	
28	42209513		槽条连接件G	CONNECTOR G	6	
29	42212515		方板	SQUARE PLATE	4	
30	417S30304	S47269001	螺栓(带垫圈)M6×20	BOLT SOCKET (S/P WASHER) M6×20	8	
31	422S16503		方形螺母块3060M6	SQUARE NUT 3060M6	8	
32	42232546		折叠小台板	AUXILIARY PLATEN N	1	
33	42232547		前台板	AUXILIARY PLATEN M	1	
34	417220101		补助板缓冲	THE PLASTIC PLUG	7	
35	S05111		螺栓M6×20	BOLT SOCKET M6×20	7	
36	41728004	SA4302001	垫圈	WASHER	7	
37	422S16503		方形螺母块3060M6	SQUARE NUT 3060M6	7	
38	42231511		合页4040-8T-AL	HINGE 4040-8T-AL	2	
39	S02056		螺钉M6×16	SCREW PLAT M6×16	8	
40	42231512		压紧夹具	CLAMPING FIXTURE	2	
41	417S30306	S55485001	螺栓(带垫圈)M5×15	BOLT SOCKET (S/P WASHER) M5×15	8	
42	42232515		铝型材3060D	ALUMINUM PROFILE 3060D	2	
43	42232517		铝型材3060F	ALUMINUM PROFILE 3060F	1	
44	42211531		端盖3060	COVER 3060	2	
45	422S16503		方形螺母块3060M6	SQUARE NUT 3060M6	8	
46	42209511		直角支架S	RIGHT ANGLE BRACKET S	2	
47	417S30304	S47269001	螺栓(带垫圈)M6×20	BOLT SOCKET (S/P WASHER) M6×20	8	
48	42212620		挂钩		1	
49	42212620		方形螺母块3060M6		1	
50	422S16503		螺栓M6×14		1	
51	407S04001		十字沉头螺钉M4×16		1	
52	42209655		油窗套		1	
53	303445		前环氧板		1	
54	303446		油窗套		1	

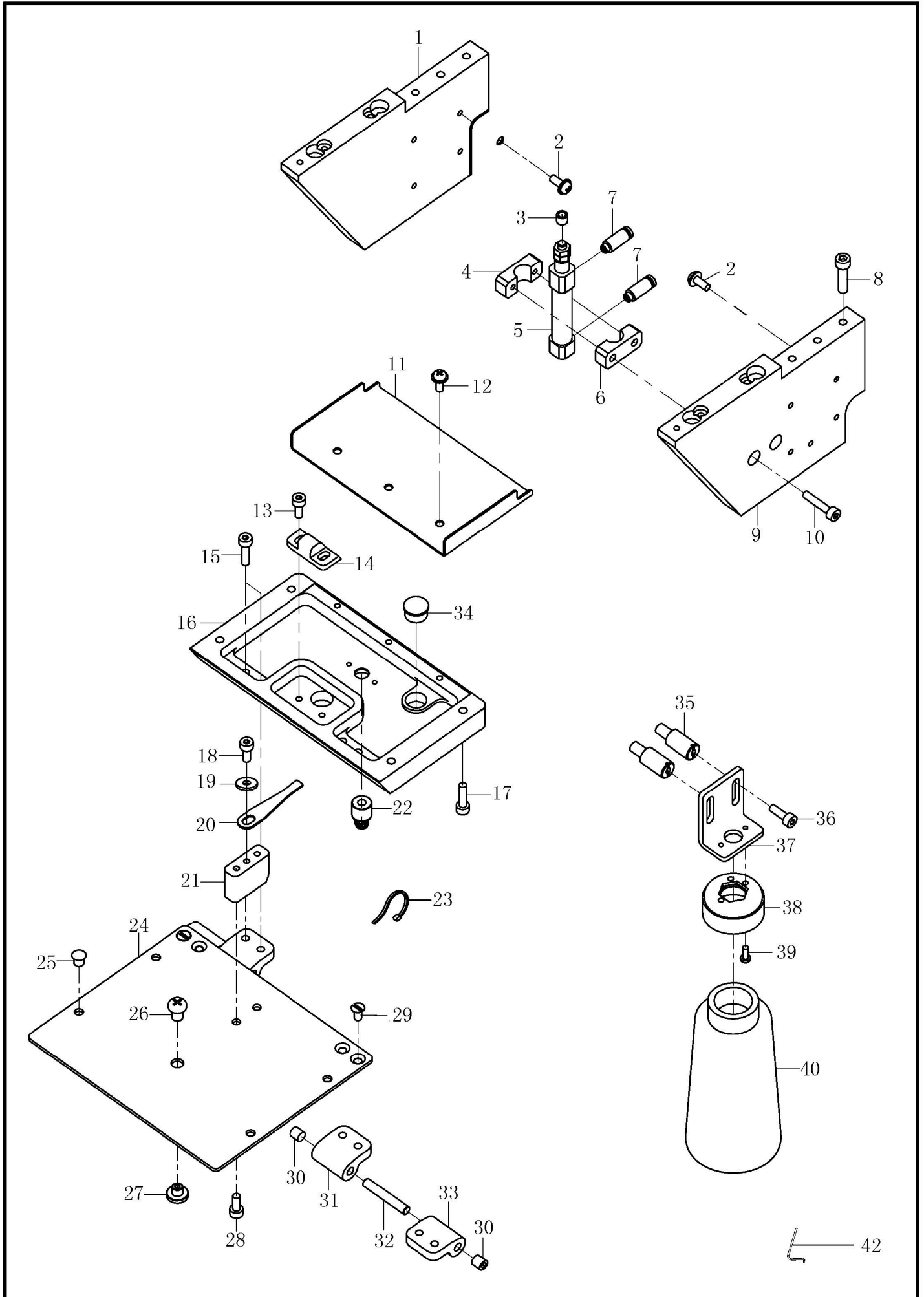
A3. 机体部分 / Machine body



A3、机体部分/Machine body

序号 No.	件号 Part. No.	参考件号 Ref. No.	零部件名称	NAME OF PARTS	数量 Amt.	备注
1	303441	42212632	补助板RB	AUXILIARY PLATE R	1	
2	417S30025	0A5401006	螺栓（带垫圈）M4×10DB	SCREW PAN (S/P WASHER) M4×10	4	
3	4221269000		接口板盖板B组件	INTERFACE BOARD COVER	1	
4	417S30025	0A5401006	螺栓（带垫圈）M4×10DB	SCREW PAN (S/P WASHER) M4×10	12	
5	303442	42211512	树脂板TD	AUXILIARY PLATE	1	
7	303443	42211513	切线调节盖板C	TANGENT ADJUSTING COVER PLATE	1	
8	417S17001	100360003	螺钉SM2.38	SCREW SM2.38	2	
9	42215502		针孔板Φ1.8(凸台)	NEEDLE HOLE PLATE Φ1.8	2	
10	422S15501		螺钉M4×10	SCREW M4×10	2	
11	42215501		针板	NEEDLE PLATE	1	
12	303444	42211514	旋梭盖板B	ROTATING SHUTTLE COVER	1	
13	S02039		螺钉M4×9	SCREW M4×10	51	
14	42232503		台板R	PLATEN R	1	
15	422S16501		薄螺母M8	THIN NUT M8	51	
16	422S30502		螺栓M8×20	BOLT SOCKET M8×20	35	
17	413S13013		螺栓M6×25	BOLT SOCKET M6×25	20	
18	41728004	SA4302001	垫圈	WASHER	30	
19	41728033		垫圈		40	
20	422S30504		螺栓M8×17.5	BOLT SOCKET M8×17.5	16	
21	42232504		台板F	PLATEN F	1	
22	422S16503		方形螺母块3060M6		20	
23	S05111		螺栓M6×20		10	

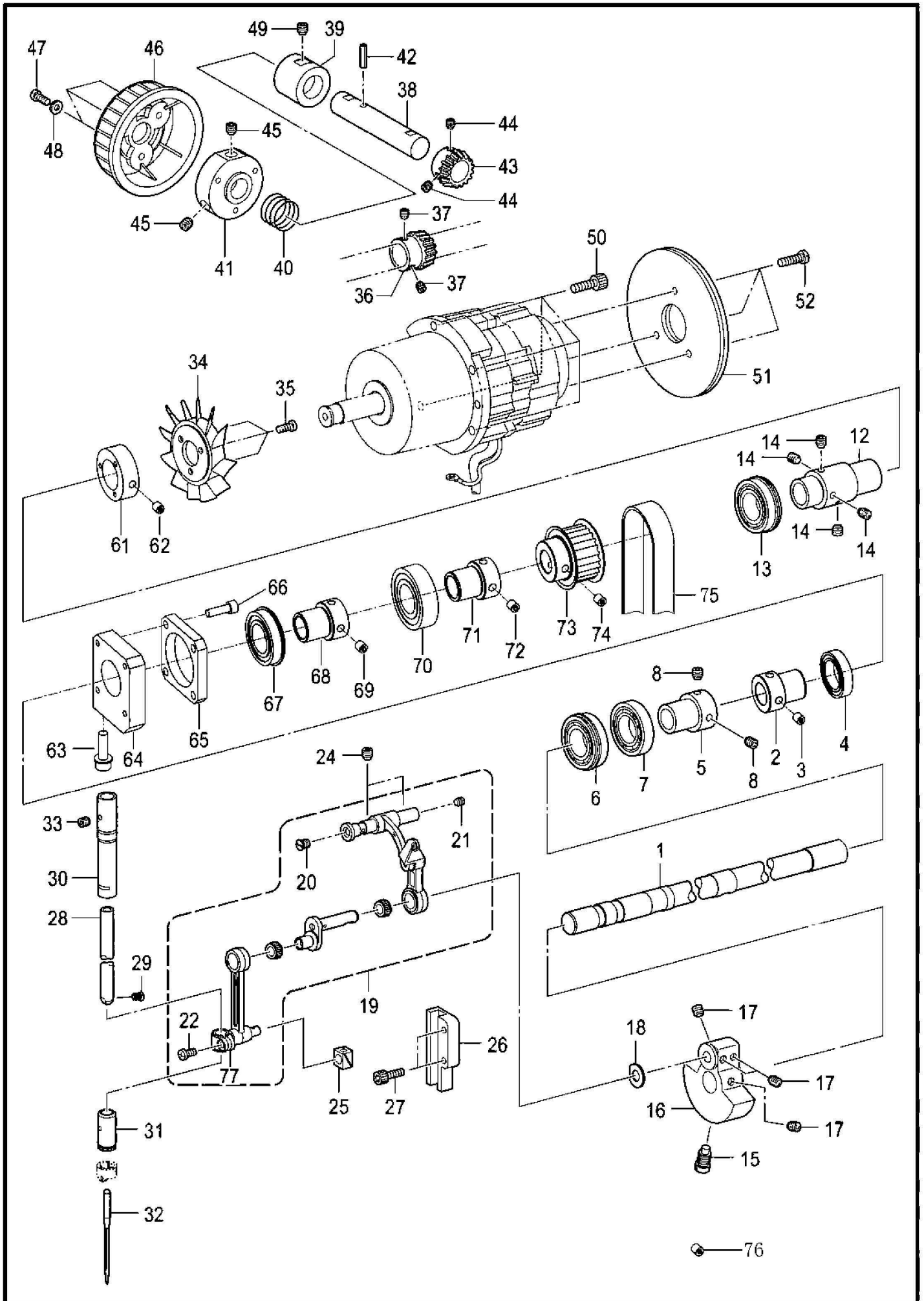
A4 . 机体部分 / Machine body



A4、机体部分/Machine body

序号 No.	件号 Part. No.	参考件号 Ref. No.	零部件名称	NAME OF PARTS	数量 Amt.	备注
1	42209515		补助支架板L	SUPPORT PLATE L	1	
2	422S15501		螺栓M4×10	BOLT SOCKET M4×10	4	
3	12921005	SA8718001	油管Φ4×Φ6	OIL TUBE Φ4×Φ6	1	
4	42209583		气缸夹具A	CYLINDER CLAMP A	1	
5	42230531		气缸CJ2B10-10	CYLINDER CJ2B10-10	1	
6	42209584		气缸夹具B	CYLINDER CLAMP B	1	
7	40736048		接头KJS4-M5	STRAIGHT PIPE JOINT M5	2	
8	417S3301		螺栓M5×12	BOLT SOCKET M5×12	6	
9	42209516		补助支架板R	SUPPORT PLATE R	1	
10	S05119	018402036	螺栓M4×20	BOLT SOCKET M4×20	2	
11	42212582		辅助油盘	AUXILIARY OIL PAN	1	
12	S05116	018400836	螺栓M4×8	BOLT SOCKET M4×8	3	
13	S05048	018401036	螺栓M4×10	BOLT SOCKET M4×10	2	
14	42209524		锁块	LOCK BLOCK	1	
15	S05010	018401236	螺栓M4×12	BOLT SOCKET M4×12	4	
16	42209572		油盘	OIL PAN	1	
17	S05118	018401636	螺栓M4×16	BOLT SOCKET M4×16	4	
18	S05116	018400836	螺栓M4×8	BOLT SOCKET M4×8	1	
19	41728024	SA5158001	垫圈L4	WASHER PLAIN L4	1	
20	40127014		圆筒臂顶盖弹簧B	LEAF SPRING	1	
21	42209523		弹簧片安装座	THE SPRING PIECE MOUNTING SEAT	1	
22	41736301	SA8722001	油嘴管	OIL FEEDING PIPE	1	
23	12912326		线夹	BAND	3	
24	42209521		旋梭前盖	ROTARY SPINDLE FRONT COVE	1	
25	41322008		橡胶塞	RUBBER PLUG	4	
26	417S30302	S55481001	螺栓(带垫圈)M4×12	BOLT SOCKET (S/P WASHER) M4×12	1	
27	422S30502		螺栓M8×20	BOLT SOCKET M8×20	1	
28	S05116	018400836	螺栓M4×8	BOLT SOCKET M4×8	2	
29	S02039	S25310101	螺钉M4×9	SCREW FLAT M4	4	
30	S10019	012060636	螺钉M6×6	SET SCREW SOCKET (FT) M6×6	4	
31	42209522		合页	HINGE A	2	
32	42226502		合页销	HINGE PIN	2	
33	42209571		合页B	HINGE B	2	
34	12922001		橡皮塞12.5	RUBBER CAP 12.5	1	
35	422S30801		上盖螺柱	TOP COVER SCREW	4	
36	417S30025	0A5401006	螺栓(带垫圈)M4×10DB	SCREW PAN (S/P WASHER) M4×10	2	
37	42212583		废油壶支架	OILER RACK	1	
38	40311010		油壶接头	DUST OILER	1	
39	S04076		螺钉M3×8	SCREW PAN M3×8	4	
40	40311011		接油壶		1	
41	41736005		接头PA4		1	
42	42221501		铜管DA		1	

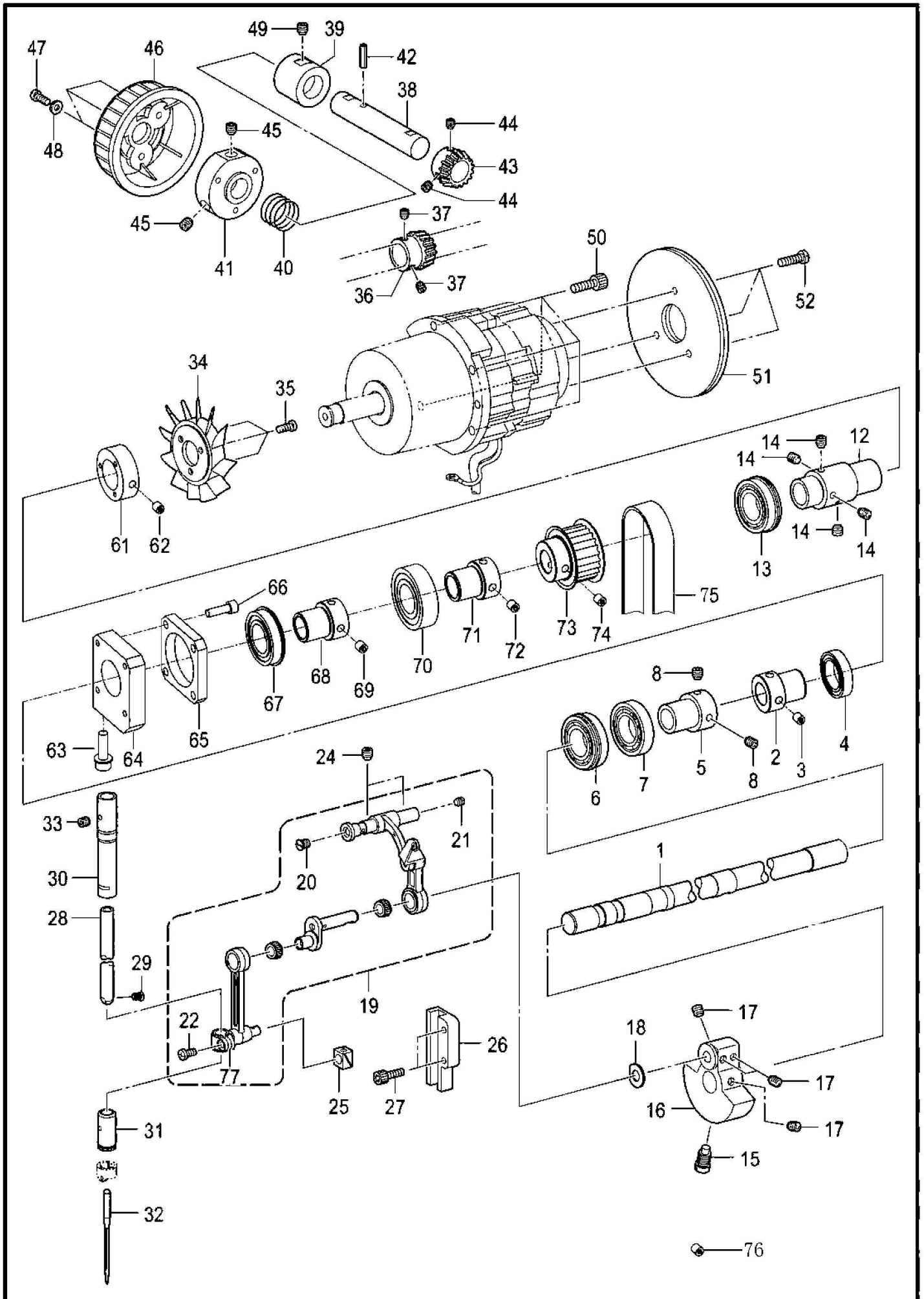
B. 上轴 · 针杆装置 / Upper shaft and needle bar mechanism



B、上轴、针杆装置/Upper shaft and needle bar mechanism

序号 No.	件号 Part. No.	参考件号 Ref. No.	零部件名称	NAME OF PARTS	数量 Amt.	备注
1	42202501		上轴	UPPER SHUFT	1	
2	41703002	SA3206001	轴承套	BALL BEARING BUSH	1	
3	S10018	S23651001	螺钉M6×0.7×6	SET SCREW SOCKET (FT) M6×6	2	
4	B01024		轴承66804Z	BALL BEARING 61804	1	
5	41703002	SA3206001	轴承套	BALL BEARING BUSH	1	
6	B10014	SA4179001	轴承6904DDUNR	BALL BEARING 6904DDUNR	1	
7	B06005	SA4180001	轴承R-6904DDU	BALL BEARING 6904DDU	1	
8	S10018	S23651001	螺钉M6×0.7×6	SET SCREW SOCKET (FT) M6×6	2	
12	41703004	SA4608101	管接头G	JOINT G	1	
13	B10013	SA4178001	轴承6204DDUNR	BALL BEARING 6204DDUNR	1	
14	S10018	S23651001	螺钉M6×0.7×6	SET SCREW SOCKET (FT) M6×6	4	
15	417S30002	S25235001	螺钉M8	SCREW, M8	1	
16	42204501		针杆曲柄	THREAD TAKE-UP CRANK G	1	
17	S10018	S23651001	螺钉M6×0.7×6	SET SCREW SOCKET (FT) M6×6	3	
18	41712133	110367001	垫圈8	WASHER, PLAIN SPECIAL 8	1	
19	4223850200	SA6182001	挑线连杆组件	THREAD TAKE-UP LEVER FK SET	1	
20	417S17003	SA2958001	螺钉M5×6	SCREW FLAT M5×6	1	
21	S09019	012500536	螺钉M5×5	SET SCREW SOCKET (FT) M5×5	1	
22	S04078	062400816	螺钉M4×8	SCREW PAN M4×8	1	
24	S10019	012060636	螺钉M6×6	SET SCREW SOCKET (FT) M6×6	2	
25	41709001	142211001	滑块	SLIDE BLOCK	1	
26	41709002	SA3528001	滑块导向B	SLIDE BLOCK GUIDE	1	
27	S05118	018401636	螺栓M4×16	BOLT SOCKET M4×16	2	
28	41702061	SA4622001	针杆 (DLC)	NEEDLE BAR	1	
29	417S15002	144458001	螺钉SM3.57-40×4.5	SET SCREW, SM3.57-40×4.5	1	
30	41703005	SA4666001	针杆轴套UK	NEEDLE BAR BUSH UK	1	
31	42203508	SA3224001	针棒轴套D	NEEDLE BAR BUSH D	1	
32	42217504	145646019	机针DP×5<8#>	NEEDLE	1	
33	S09041	012060536	螺钉M6×5	SET SCREW SOCKET (FT) M5×5	1	
34	12411002	S38713100	叶轮(包缝用)	FAN	1	
35	S04078	062400816	螺钉M4×8	SCREW PAN M4×8	3	
36	40325010	SA6108001	上轴转动齿轮	PULLEY GEAR R	1	
37	S09019	012500536	螺钉M5×5	SET SCREW SOCKET (FT) M5×5	2	
38	41702003	SA4626101	上轮轴	PULLEY SHUFT	1	
39	41703007	SA4627001	上轮轴套	PULLEY BUSH	1	
40	41727001	SA4628001	上轮弹簧	PULLEY SPRING	1	
41	41703008	SA4629001	上轮基座	PULLEY BASE	1	
42	P03027	047401242	弹簧销4×16	PIN SPRING ROLL AW4	1	
43	41725002	SA4624001	齿轮	PULLEY GEARL	1	
44	S09019	012500536	螺钉M5×5	SET SCREW SOCKET (FT) M5×5	2	
45	S10018	S23651001	螺钉M6×0.7×6	SET SCREW SOCKET (FT) M6×6	2	
46	41711001	SA4630001	上轮	PULLEY	1	
47	S04079	062401006	螺钉M4×10	SCREW PAN M4×10	3	
48	41728024	SA5158001	垫圈L4	WASHER PLAIN L4	3	
49	S10019	012060636	螺钉M6×6	SET SCREW SOCKET (FT) M6×6	1	
50	S05124	018501636	螺栓M5×16	BOLT SOCKET M5×16	4	
51	41712011	SA5230001	惯性轮2	FRIES WHEEL 2	2	
52	417S30021	062401016	螺钉M4×10	SCREW PAN M4×10	3	
61	42209525		叶轮安装轮	FAN INSTALL WHEEL	1	
62	S10019	012060636	螺钉M6×6	SET SCREW SOCKET (FT) M6×6	2	
63	S05083		螺钉M5×30	BOLT SOCKET M5×30	2	
63	W01009	025050236	垫圈5	WASHER PLAIN M5	2	
64	42212567		上轴轴承座一	LPPER SHAFT BEARING SEAT	1	

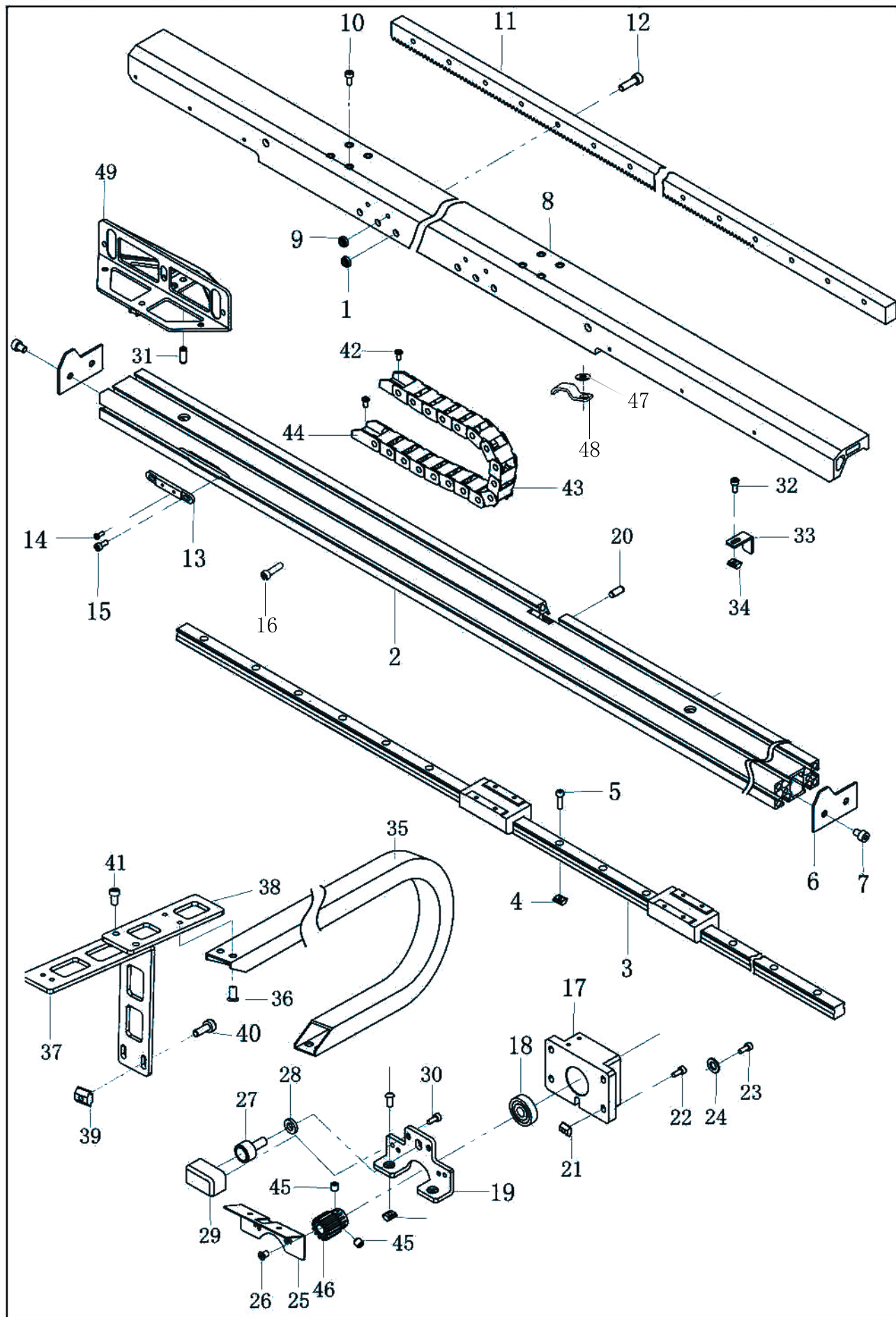
B. 上轴 · 针杆装置 / Upper shaft and needle bar mechanism



B、上轴、针杆装置/Upper shaft and needle bar mechanism

序号 No.	件号 Part. No.	参考件号 Ref. No.	零部件名称	NAME OF PARTS	数量 Amt.	备注
65	42212568		上轴轴承座二	UPPER SHAFT BEARING SEAT	1	
66	417S30306	S55485001	螺栓（带垫圈）M5×15	BOLT SOCKET (S/P WASHER) M5×15	4	
67	B10014	SA4179001	轴承6904DDUNR	BALL BEARING 6904DDUNR	1	
68	41703002	SA3206001	轴承套	BALL BEARING BUSH	1	
69	S10018	S23651001	螺钉M6×0.7×6	SET SCREW SOCKET (FT) M6×6	2	
70	B10012	SA4180001	轴承6004DDUNR	BALL BEARING 6904DDU	1	
71	41703002	SA3206001	轴承套	BALL BEARING BUSH	1	
72	S10018	S23651001	螺钉M6×0.7×6	SET SCREW SOCKET (FT) M6×6	2	
73	4223552100		上同步轮组件	PULLER ASSEMBLY	1	
74	S10019	012060636	螺钉M6×6	SET SCREW SOCKET (FT) M6×6	2	
75	42235524		同步带5GT	BELT 5GT	1	
76	S09008		螺钉M5×5		2	
77	41704100		针杆接头		1	

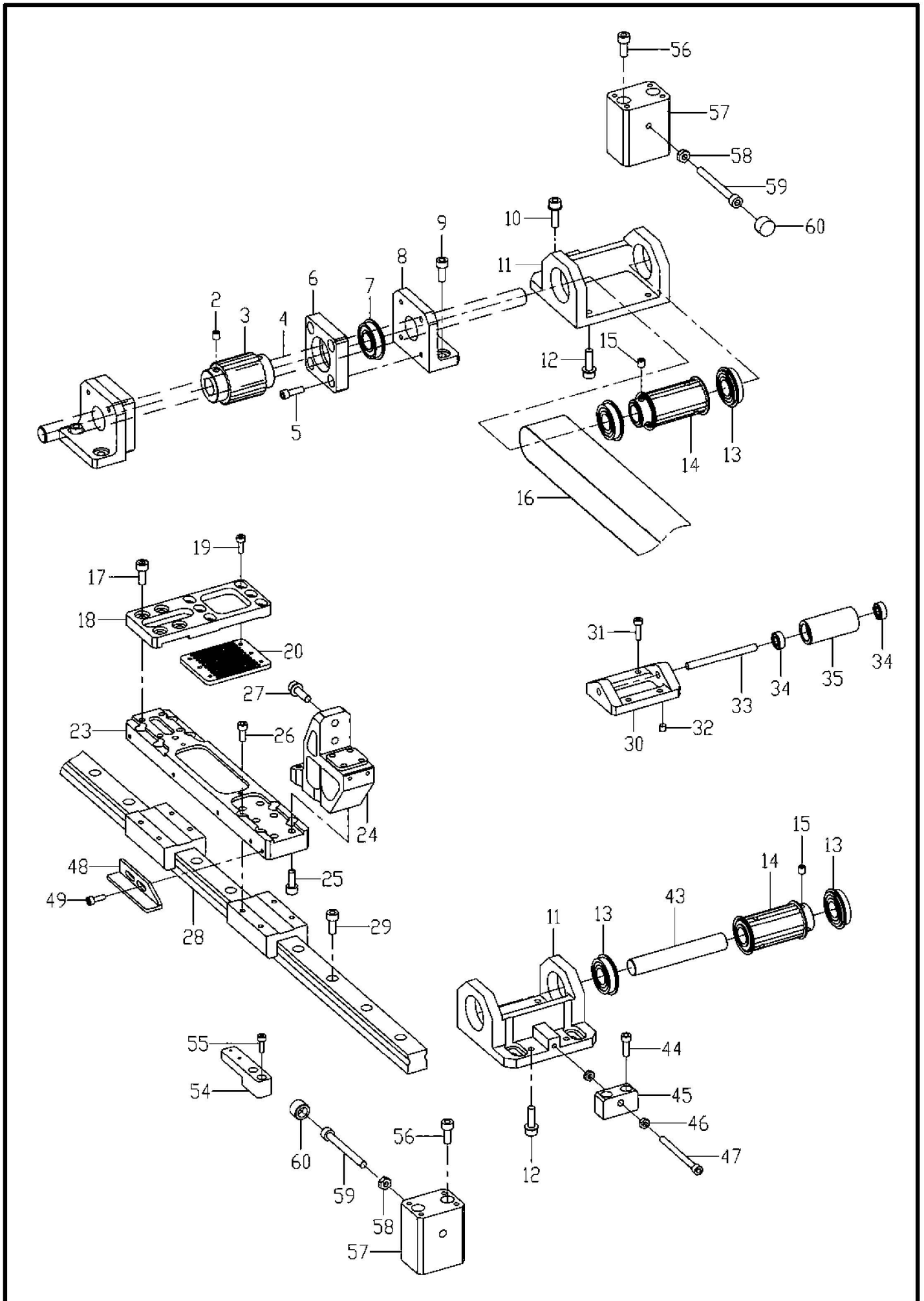
C1、送料装置 / Feed mechanism



C1、送料装置/Feed mechanism

序号 No.	件号 Part. No.	参考件号 Ref. No.	零部件名称	NAME OF PARTS	数量 Amt.	备注
1	41708005		螺纹套		4	
2	41842013		送料基座		1	
3	41824011		X导轨		1	
4	418S16012		方形螺母块20M4		34	
5	S05118		螺栓M4×16		30	
6	41812017		X导轨挡板		2	
7	S04038		螺钉M6×10		4	
8	41842216		导轨齿条联接座Y		1	
9	418S16013		滚花螺纹套M5		6	
10	S05010		螺钉 M4×12		12	
11	42225508		X齿条B		1	
12	S05118		螺栓M4×16		25	
13	41812020		X传感器安装板		1	
14	S04076		螺钉M3×8		1	
15	S05133		螺栓M4×12		2	
16	S05118		螺栓M4×16		4	
17	41842017		电机安装座		1	
18	B01025		轴承6200		1	
19	41812272		电机座安装支架		1	
20	41826011		圆柱销6×15		1	
21	418S16011		方形螺母块20M5		14	
22	S05121		螺栓M5×10		2	
23	S05121		螺栓M5×10		2	
24	41728028		垫圈5		4	
25	41812026		齿轮盖板		1	
26	S02031		螺钉M3×5		4	
27	42224515		滚针导向轮		1	
28	41828011		垫圈8		1	
29	41842018		导向轮盖		1	
30	S05116		螺栓M4×8		2	
31	41826011		圆柱销6×15		2	
32	S05040		螺钉 M6×16		4	
33	41812016		线卡		2	
34	418S16011		方形螺母块20M5		2	
35	41811011		塑料拖链1818		1	
36	417S15008		螺钉 M4×8		4	
37	41812018		Y拖链支架A		1	
38	41812019		Y拖链支架B		1	
39	418S16012		方形螺母块20M4		2	
40	S05048		螺钉 M4×10		2	
41	S05116		螺栓M4×8		2	
42	417S15008		螺钉 M4×8		3	
43	42211526		塑料拖链0616		1	
44	42211527		塑料拖链0616接头		1	
45	417S15008		螺钉 M4×8		4	
46	42225515		X送料齿轮14		1	
47	W01001		M4垫片(普通)		32	
48	12912327		线夹		1	
49	41801046		送料基座联接座		2	

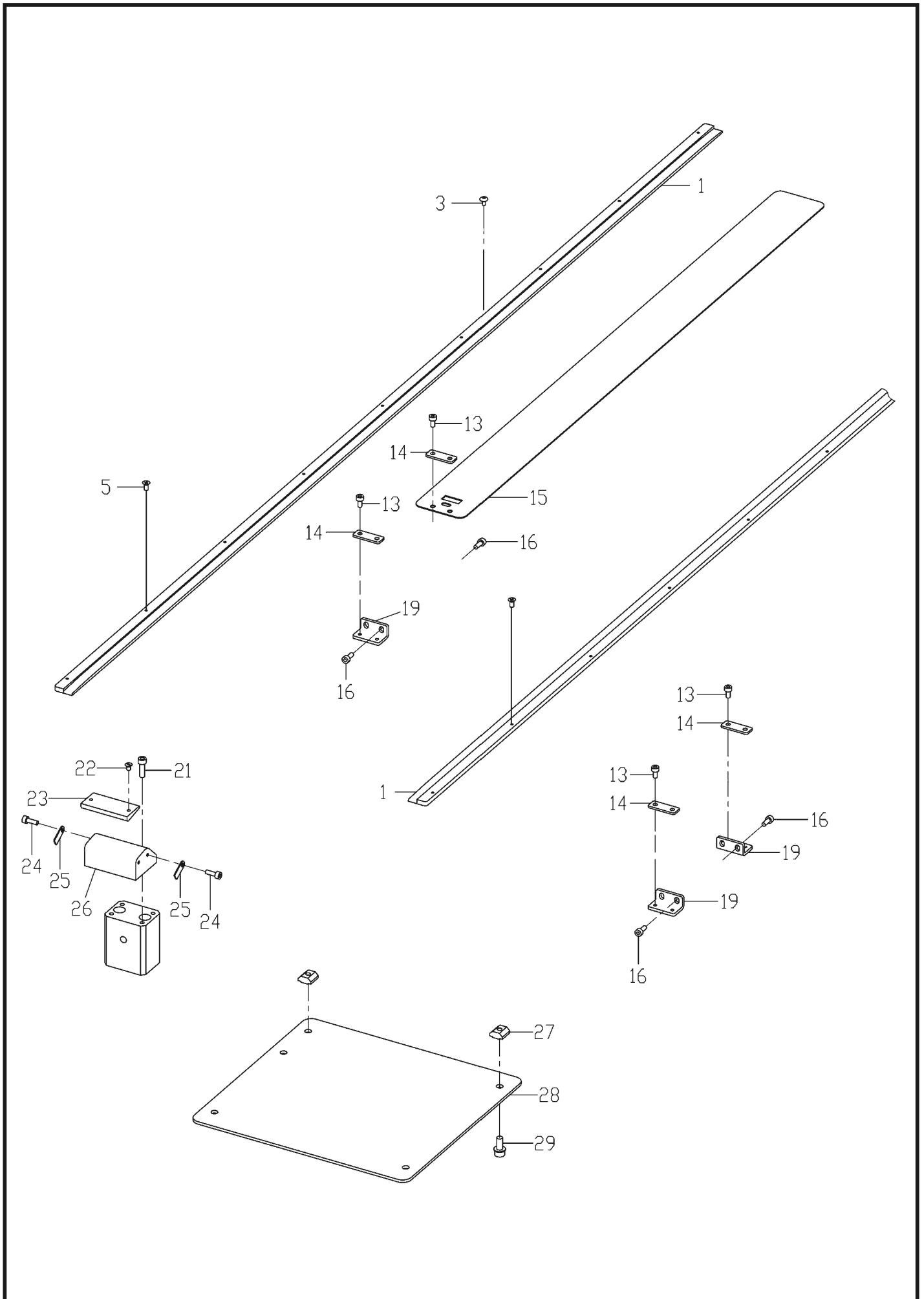
C2. 送料装置 / Feed mechanism



C2、送料装置/Feed mechanism

序号 No.	件号 Part. No.	参考件号 Ref. No.	零部件名称	NAME OF PARTS	数量 Amt.	备注
2	S10019	012060636	螺钉M6×6	SET SCREW SOCKET (FT) M6×6	4	
3	42235516		Y同步轮B	Y PULLER B	1	
4	42202502		Y驱动轴	Y DRIVE SHAFT	1	
5	S05124	018501636	螺栓M5×16	BOLT SOCKET M5×16	8	
6	42209578		Y轴承支架	Y BEARING BRACKET	2	
7	B10018	SA8599001	轴承6002ZZNR	BALL BEARING 6002ZZNR	2	
8	42209577		Y轴承支架座	Y BEARING BRACKET SEAT	2	
9	S05040		螺栓M6×16	BOLT SOCKET M6×16	4	
10	417S30304	S47269001	螺栓（带垫圈）M6×20	BOLT SOCKET (S/P WASHER) M6×20	4	
11	302747	42201511	Y同步轮基座	Y PULLER BASE	4	
12	417S30304	S47269001	螺栓（带垫圈）M6×20	BOLT SOCKET (S/P WASHER) M6×20	12	
13	B10018	SA8599001	轴承6002ZZNR	BALL BEARING 6201ZZNR	8	
14	42235502		Y同步轮组件	Y PULLER ASSY B	4	
15	S10019	012060636	螺钉M6×6	SET SCREW SOCKET (FT) M6×6	16	
16	42235504		Y同步带	Y BELT C	2	
17	417S30304	S47269001	螺栓（带垫圈）M6×20	BOLT SOCKET (S/P WASHER) M6×20	8	
18	42209576		Y皮带支架板	Y BELT HOLDER PLATE	2	
19	417S30302	S55481001	螺栓（带垫圈）M4×12	BOLT SOCKET (S/P WASHER) M4×12	12	
20	42212530		同步带夹具	BELT CLAMP	2	
23	42209537		Y滑块联接板L	Y SLIDER CONNECTING PLATE	2	
24	42269635		联接座B	Y CONNECTING SEAT	2	
25	417S30304	S47269001	螺栓（带垫圈）M6×20	BOLT SOCKET (S/P WASHER) M6×20	12	
26	S05123	018501236	螺栓M5×12	BOLT SOCKET M5×12	16	
27	417S30304	S47269001	螺栓（带垫圈）M6×20	BOLT SOCKET (S/P WASHER) M6×20	4	
28	42224513		Y导向	Y GUIDE	2	
29	S05124		螺栓M5×16	BOLT SOCKET M6×15	22	
30	42209541		Y张紧轮支座D	Y TENSIONER PULLEY BEARING D	2	
31	S05010	018401236	螺栓M4×12	BOLT SOCKET M4×12	8	
32	S09019	012500536	螺钉M5×5	SET SCREW SOCKET (FT) M5×5	4	
33	42226504		Y张紧轮轴D	Y TENSION WHEET SHAFT D	2	
34	B04026	070696800	轴承轴承R-696ZZ	BALL BEARING RADIAL 696ZZ	4	
35	42203501		Y张紧轮D	Y TENSIONER D	2	
43	42202503		Y轮支点轴	Y PULLER FULCRUM SHAFT	2	
44	S05124	018501636	螺栓M5×16	BOLT SOCKET M5×16	4	
45	42209540		Y皮带调节架	Y BELT ADJUSTING FRAME	2	
46	N01017	021500216	六角薄螺母M5	NUT 2 M5	4	
47	S05230		螺栓M5×60	BOLT SOCKET M5×60	2	
48	42209544		Y感应片	Y INDUCTION PIECE	1	
49	417S30302	S55481001	螺栓（带垫圈）M4×12	BOLT SOCKET (S/P WASHER) M4×12	2	
54	42209543		Y传感器安装座	Y SENSOR MOUNTING SEAT	1	
55	S05133	018401036	螺栓M4×12	BOLT SOCKET M4×10	2	
56	417S30304	S47269001	螺栓（带垫圈）M6×20	BOLT SOCKET (S/P WASHER) M6×20	8	
57	42209545		托架安装座	BRACKET MOUNTING SEAT	2	
58	N01021	021060106	螺母M6	NUT 1 M6	4	
59	S05088	SA3387001	螺钉M6×45	BOLT SOCKET M6×60	2	
60	40322021		孔塞	RUBBER CAP	2	

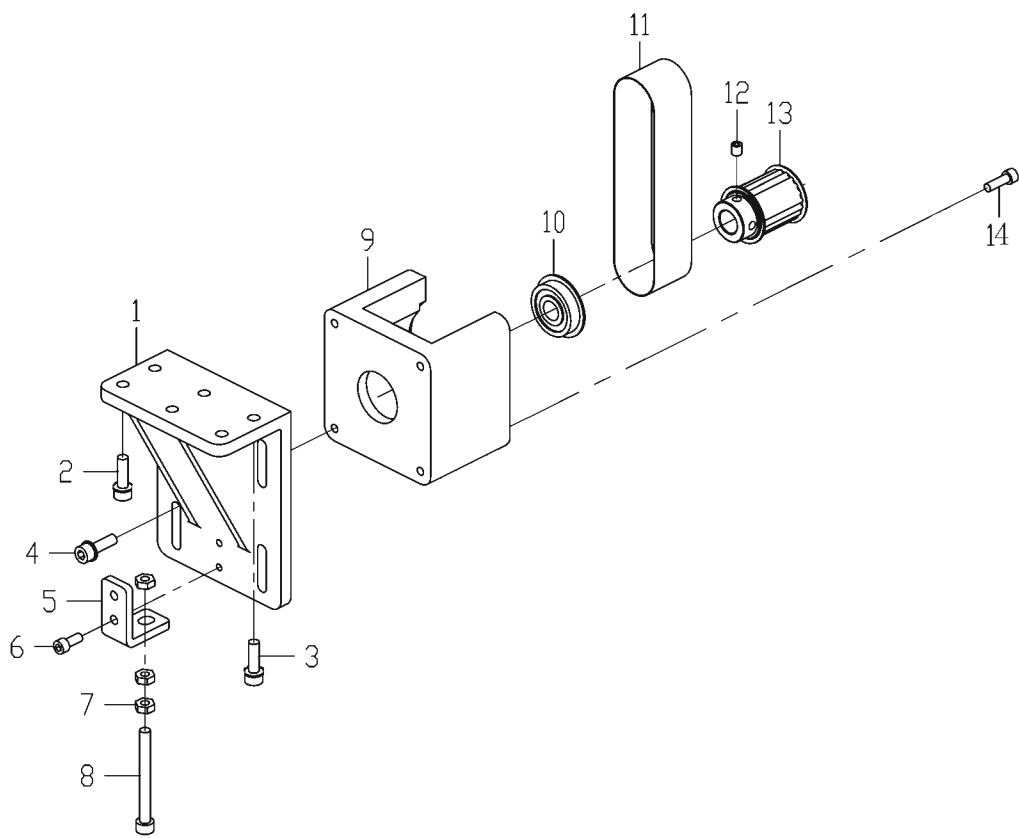
C3 . 送料装置 / Feed mechanism



C3、送料装置/Feed mechanism

序号 No.	件号 Part. No.	参考件号 Ref. No.	零部件名称	NAME OF PARTS	数量 Amt.	备注
1	42209575		滑板轨道	SLIDE RIAL	4	
3	S04082	062300616	螺钉M3×6	SCREW PAN M3×6	12	
5	S02032	061300616	螺钉M3×6	SCREW PLAT M3×6	24	
13	S05116	018400836	螺栓M4×8	BOLT SOCKET M4×8	8	
14	42212577		滑板压板	SLIDE HOLDER	4	
15	42211521		滑板A	SLIDE A	4	
16	S05116	018400836	螺栓M4×8	BOLT SOCKET M4×8	8	
19	42212576		滑板安装板	SLIDE MOUNTING PLATE	4	
21	S05123	018501236	螺栓M5×12	BOLT SOCKET M5×12	4	
22	422S30508		沉头螺钉M4×6	SCREW PLAT M4×6	4	
23	42209615		滑板导向C	SLIDE GUIDE BLOCK A	2	
24	S05116	018400836	螺栓M4×8	BOLT SOCKET M4×8	4	
25	41712085	152937001	垫圈	WASHER	4	
26	42209620		滑板导向D	SLIDE GUIDE BLOCK B	2	
27	422S16503		方形螺母块3060M6	SQUARE NUT 3060M6	8	
28	42211538		滑板托板	PLASTIC PALLET	2	
29	417S30037	S42446001	螺栓M6×14	BOLT SOCKET M6×14	9	

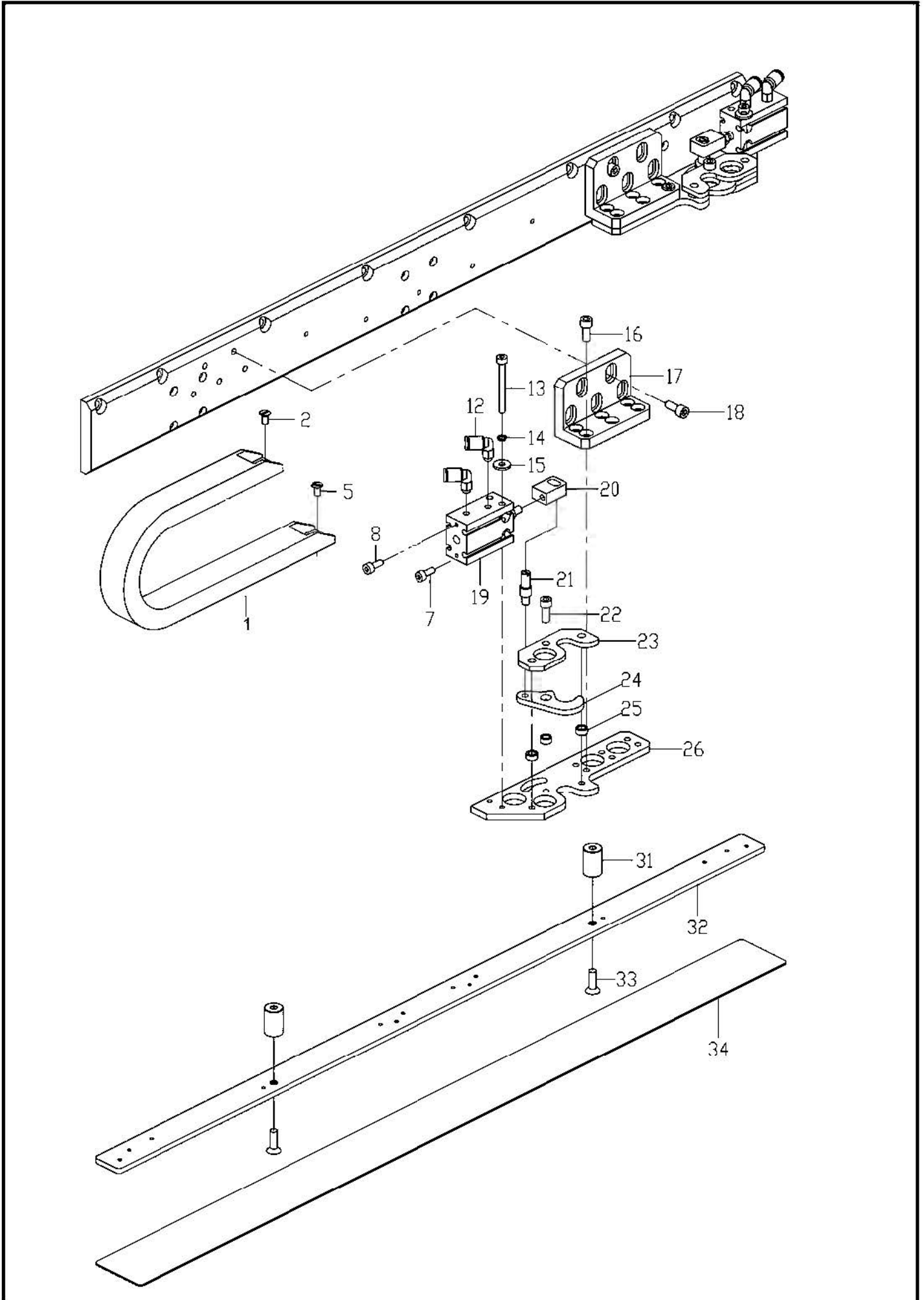
C4 . 送料装置 / Feed mechanism



C4、送料装置/Feed mechanism

序号 No.	件号 Part. No.	参考件号 Ref. No.	零部件名称	NAME OF PARTS	数量 Amt.	备注
1	42201535		Y动力支架	Y POWERED SUPPORT	1	
2	S05040		螺栓M6×16	BOLT SOCKET (S/P WASHER) M6×20	4	
3	S05040		螺栓M6×16	BOLT SOCKET (S/P WASHER) M6×20	2	
4	417S30304	S47269001	螺栓 (带垫圈) M6×20	BOLT SOCKET (S/P WASHER) M6×20	4	
5	42212580		调节架Y	ADJUSTING FRAME Y	1	
6	S05123	018501236	螺栓M5×12	BOLT SOCKET M5×12	2	
7	N01021	021060106	螺母M6	NUT 1 M6	2	
8	S05088		螺钉M6×45	BOLT SOCKET M6×45	1	
9	42212560		Y电机支撑座	Y MOTOR SUPPORTING SEAT	1	
10	B10020	SA8599001	6201ZZNR	BALL BEARING 6002ZZNR	1	
11	42235515		Y同步带	Y BELT	1	
12	S10019	012060636	螺钉M6×6	SET SCREW SOCKET (FT) M6×6	2	
13	4223551800		Y同步轮A组件	Y PULLER ASSY A	1	
14	S05124	018501636	螺栓M5×16	BOLT SOCKET M5×16	4	

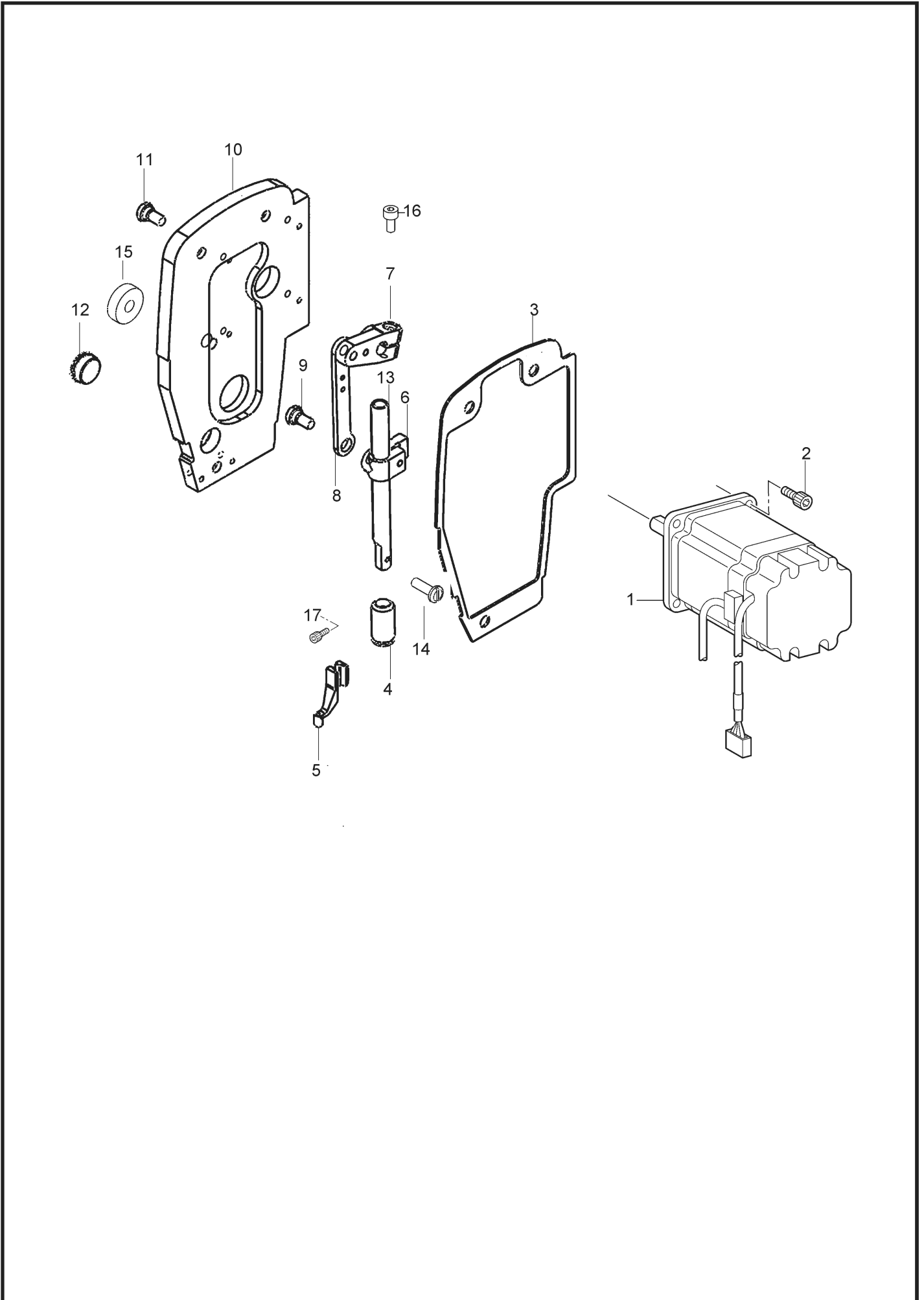
C5. 送料装置 / Feed mechanism



C5、送料装置/Feed mechanism

序号 No.	件号 Part. No.	参考件号 Ref. No.	零部件名称	NAME OF PARTS	数量 Amt.	备注
1	4181202700		X拖链支架组件		1	
2	S02039	S25310101	螺钉M4×9		2	
5	S02039	S25310101	螺钉M4	SCREW FLAT M4	2	
7	S05116	018400836	螺栓M4×8	BOLT SOCKET M4×8	2	
8	S05116	018400836	螺栓M4×8	BOLT SOCKET M4×8	2	
12	41736003		气管接头		2	
13	S05065		螺钉M4×40	BOLT SOCKET M4×40	4	
14	W02008	028040246	弹簧垫圈2-4	WASHER SPRING 2-4	4	
15	42128003	SA5158001	垫圈	WASHER PLAIN	4	
16	S05120	18501036	螺栓M5×8		12	
17	41842218		夹具联接板B		2	
18	S05123	018501236	螺栓M5×12	BOLT SOCKET M5×12	10	
19	41730441		气缸U16-15D	AIR CYLINDER CU16-15D	2	
20	401727	42209812	接头	CONNECT JOIN	2	
21	42226811		接头销	JOIN PIIN	2	
22	S05123	018501236	螺栓M5×12	BOLT SOCKET M5×12	6	
23	42212607	401611	夹紧杆挡板		2	
24	42212813	401613	夹紧杆	CLAMP BAR	2	
25	42228811		转动垫圈	ROTARY WASHER	6	
26	42212538		夹具安装板L	FIXTURE MOUNTING PLATE	2	
29	W01009		垫圈5	WASHER PLAIN M5	10	
31	42226812		夹紧销	CLAMPING PIN	30	
32	42212800	401661	塑料托板	TEMPLATE FIXED PLATE	15	
33	417S17852		螺钉M5×15		30	
34	42212820		透明托板	THE TRANSPARENT PLATE	3	

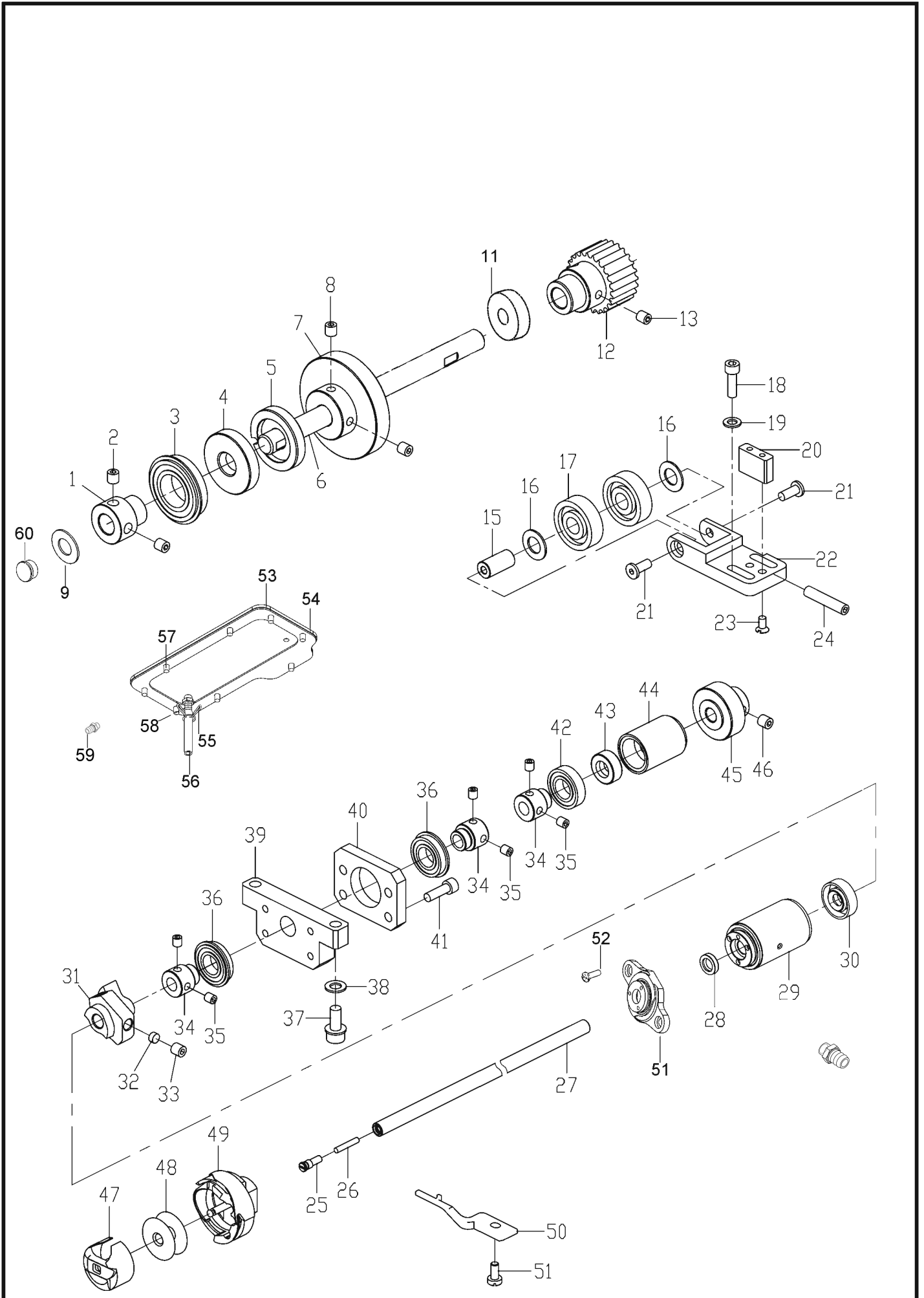
D2 . 拾压装置 / Work clamp lifter mechanism



D2、抬压脚装置/Work clamp lifter mechanism

序号 No.	件号 Part. No.	参考件号 Ref. No.	零部件名称	NAME OF PARTS	数量 Amt.	备注
1	42230534		闭环步进电机		1	
2	S04038		螺钉M6×10(镀铬)		3	
3	41712003		面板垫片		1	
4	41703015		压紧杆轴套		1	
5	42216505		中压脚		1	
6	41709020		压紧杆接头		1	
7	42204504		摆杆		1	
8	42205503		长连杆		1	
9	417S30007		段螺钉 6		2	
10	42201524		面板		1	
11	417S30007		段螺钉 6		2	
12	41722004		橡皮塞15.5		1	
13	41702018		压紧杆		1	
14	417S15011		螺钉 SM3. 57×12		1	
15	B01027		轴承619/8		1	
16	S05048		螺钉 M4×10		4	
17	S05010		螺钉 M4×12		1	

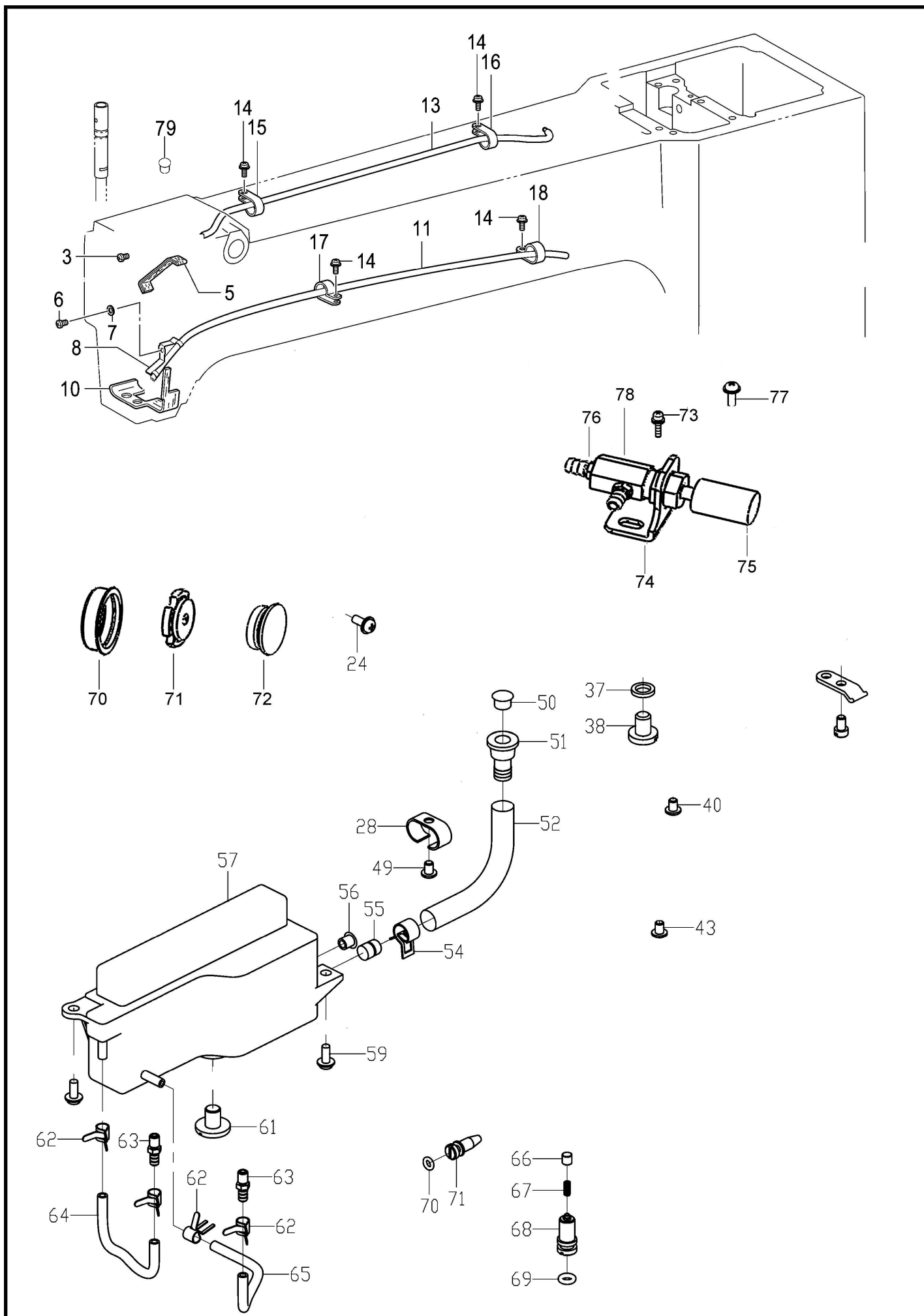
E. 下轴装置 / Lower shaft mechanism



E、下轴装置/Lower shaft mechanism

序号 No.	件号 Part. No.	参考件号 Ref. No.	零部件名称	NAME OF PARTS	数量 Amt.	备注
1	11403013	236-18606	送料驱动轴轴承套	BEARING SUPPORT	1	
2	101S15002		送料轴挡圈螺钉	SCREW	2	
3	B01010		滚针轴承6003	BALL BEARING 6003	1	
4	13722022		拾牙轴油封	OIL SEAL	1	
5	13703034		下主动轴油封中套	OIL SEAL MIDDLE BUSH	1	
6	42202513		同步轴G		1	
7	1142500100	236-20503	大齿轮组件	GEAR ASSEMBLY	1	
8	101S15002		送料轴挡圈螺钉	SCREW	2	
9	10112003		针杆曲柄护板		1	
11	B10012		轴承6004DDUNR		1	
12	42235523		下同步轮	LOWER PULLER	1	
13	S10019	012060636	螺钉 M6X6	SET SCREW SOCKET (FT) M6×6	2	
15	42226506		张紧轴	SHAFT	1	
16	41728001	S20356001	平垫圈10	WASHER PAN 10	2	
17	B01025		轴承6200	BALL BEARING 6200	2	
18	S05035		螺钉 M5×25		2	
19	W01009	025050236	垫圈5	WASHER PLAIN M5	2	
20	42209549		调节块	ADJUSTING BLOCK	1	
21	417S13301	SA8597001	螺栓 M5×12	BLOT SOCKET M5×12	2	
22	42212542		张紧轮支架	TENSION WHEEL BRACKET	1	
23	407S04001	S25310101	十字沉头螺钉M4×16	SCREW FLAT M4×16	2	
24	S10033		紧定螺钉M6×30	SET SCREW SOCKET (FT) M6×30	1	
25	101S30005		下轴限油螺钉	OIL SEAL SCREW	1	
26	10123003		下轴限油芯		1	
27	42202514		下轴G		1	
28	11522001		油封	OIL SEAL	1	
29	42203509		下轴前套		1	
30	1142201400	236-20206	下轴前轴套油封	OIL SEAL	1	
31	11510001		凸轮	CAM	1	
32	11309030		凸轮顶柱	POLE	2	
33	116S14005		螺钉	SCREW SM1/4 (40) ×10	2	
34	11403016	236-20354	下轴轴承套	LOWER SHAFT BALL BEARING BUSH	3	
35	113S14002		螺钉	SCREW SM11/64 (40) ×5.5	6	
36	11424001		轴承	BALL BEARING 6901	3	
38	41728033		垫圈		1	
41	417S30306	S55485001	螺栓(带垫圈)M5×15	BOLT SOCKET (S/P WASHER) M5×15	4	
42	11424001		轴承	BALL BEARING 6901	1	
43	1142201600	228-90008	油封组件	OIL SEAL ASSY	1	
44	11503018	236-20404	旋梭轴后轴套	REAR BUSH	1	
45	11425002	236-20701	斜齿轮A	GEAR A	1	
46	101S15002		送料轴挡圈螺钉	SCREW	2	
47	42218002	MF25B0123	梭芯套组件	BOBBIN CASE ASSY	1	
48	10818501		梭心605.609大梭心	BOBBIN	1	
49	42218003	ME20A0120	旋梭组件(薄料进口)	HOOK COMPLETE	1	
50	42212555		旋梭定位钩		1	
51	42209596		剪线刀架支座		1	
52	116S11005		牙架曲柄螺钉		1	
53	42212675		齿轮箱盖		1	
54	42212676		齿轮箱垫片		1	
55	12912038		油管夹		2	
56	12921006		维尼龙油管(φ6xφ8)		0.5	
57	422S15501		螺钉M4×10		8	
58	12936004		油嘴管		2	
59	41736303		油管嘴B		1	
60	41722004		橡皮塞15.5		1	

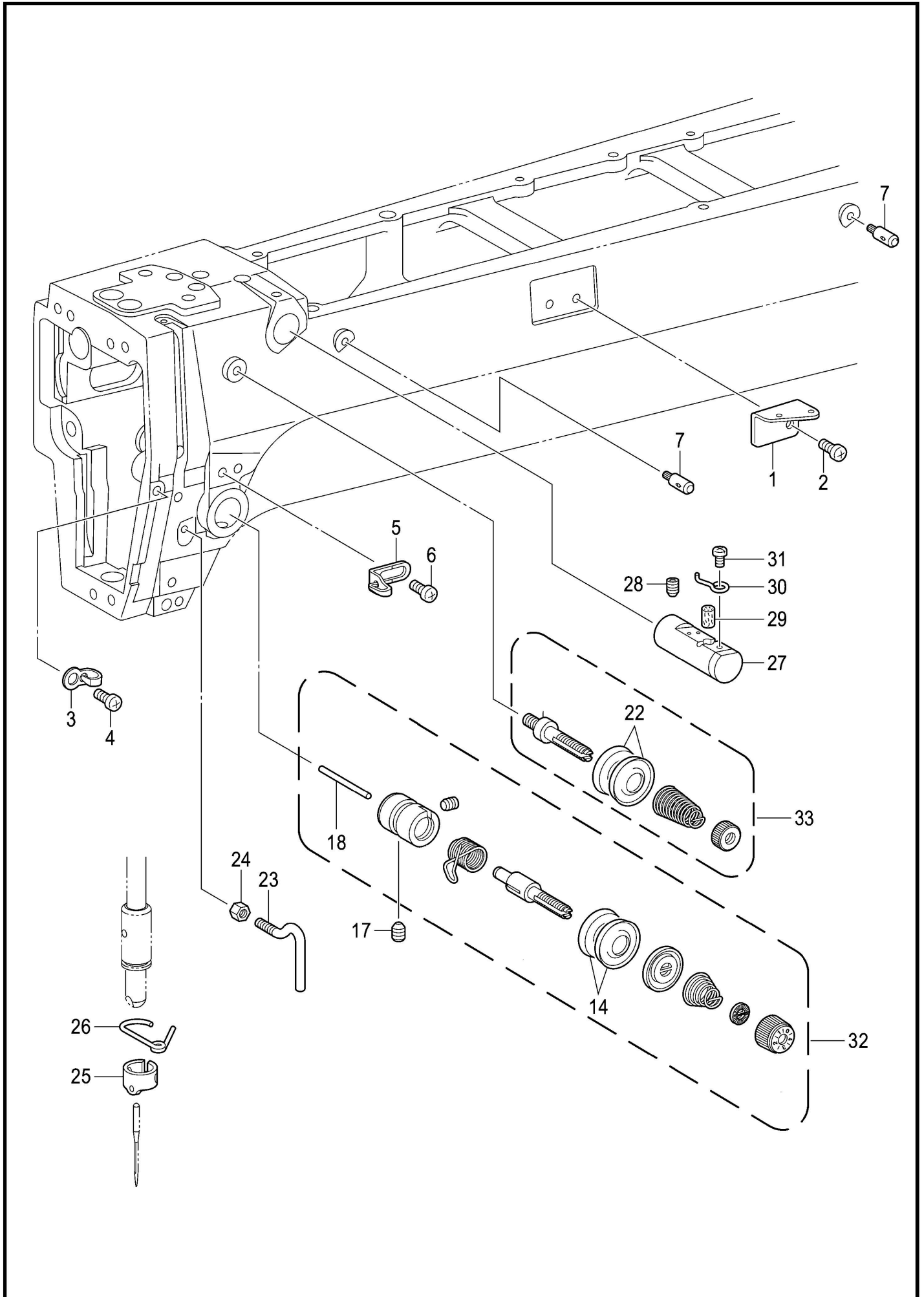
F. 供油润滑装置 / Lubrication



F、供油润滑装置/Lubrication

序号 No.	件号 Part. No.	参考件号 Ref. No.	零部件名称	NAME OF PARTS	数量 Amt.	备注
3	S04035	062400616	螺钉M4×6	SCREW PAN M4×6	1	
5	41723027	SA6593001	毡油线	FLAT WICK L=180	1	
6	S04035	062400616	螺钉M4×6	SCREW PAN M4×6	1	
7	W01001	025040236	M4垫片	WASHER PLAN M4	1	
8	41712073	145547001	回油管管托	TUBE HOLDER	1	
10	41723005	SA4786101	油毡	FELT	1	
11	12921005	SA8718001	油管(φ4xφ6)	OIL TUBE φ4×φ6	1	
13	12921002	SA8721001	维尼龙油管(φ3xφ5)	OIL TUBE φ3×φ5	1	
14	417S30025	0A5401006	螺栓(带垫圈)M4×10DB	SCREW PAN (S/P WASHER) M4×10	5	
15	41711015	525567000	电线夹13.2	CORD HOLDER 13.2	3	
16	41711014	149547000	电线夹6.4	CORD HOLDER 6.4	1	
17	41711014	149547000	线夹6.4	CORD HOLDER 6.4	1	
18	41711014	149547000	线夹6.4	CORD HOLDER 6.4	1	
24	417S30025	0A5401006	螺栓(带垫圈)M4×10DB	SCREW PAN (S/P WASHER) M4×10	2	
25	417S30025	0A5401006	螺栓(带垫圈)M4×10DB	SCREW PAN (S/P WASHER) M4×10	2	
37	10128015		螺纹销橡胶垫圈(厚)	RUBBER WASHER	1	
38	114S11011		齿轮箱盖螺钉	SCREW	1	
40	101S11007		螺钉SM11/64(40)	SCREW SM11/64(40)	1	
43	101S11007		螺钉SM11/64(40)	SCREW SM11/64(40)	4	
49	417S30025	0A5401006	螺栓(带垫圈)M4×10DB	SCREW PAN (S/P WASHER) M4×10	2	
50	10122005		挑线连杆销螺孔塞	RUBBER CAP	1	
51	11436006	236-29603	油口	OIL INLET	1	
52	11421006		Φ8×Φ10油管	OIL TUBE φ8×φ10	1	
54	11412054	236-29405	Φ10.2油管卡簧	PIPE STOPPER Φ10.2	1	
55	1141103400		过滤网安装器组件	FILTER NET ASSY	1	
56	40322023		挡板油塞	RUBBER CAP	1	
57	1141101100	236-28555	油箱组装图	OIL TANK ASSY	1	
59	417S30025	0A5401006	螺栓(带垫圈)M4×10DB	SCREW PAN (S/P WASHER) M4×10	2	
61	114S11007		油箱螺钉	SCREW	1	
62	11412055	236-29306	Φ5.7油管卡黄	PIPE STOPPER Φ5.7	4	
63	114S30009		润滑连接器	LUBRICATION CONNECTOR	2	
64	12921002	S53175000	油管φ3×φ5	OIL TUBE φ3×φ5	1	
65	12921002	S53175000	油管φ3×φ5	OIL TUBE φ3×φ5	1	
66	10526003	236-28803	柱塞	PLUNGER	1	
67	11427021	236-28902	柱塞弹簧	PLUNGER SPRING	1	
68	114S30010	236-29009	柱塞螺钉	PLUNGER SCREW	1	
69	10122010		O形圈	O-RING	1	
70	41722031		橡胶圈		1	
71	41711022		挡片		1	
72	41711004		油窗盖		1	
73	417S30302		螺栓(带垫圈)M4×12		2	
74	42212663		调节阀安装板		1	
75	42236513		调节阀		1	
76	001046		O型圈9.5×2.5		1	
76	41723311		油毡		2	
77	S09066		螺钉M6×0.75×12		1	
78	42209616		润滑调节座B		1	
79	10122005		挑线连杆销螺孔塞		3	

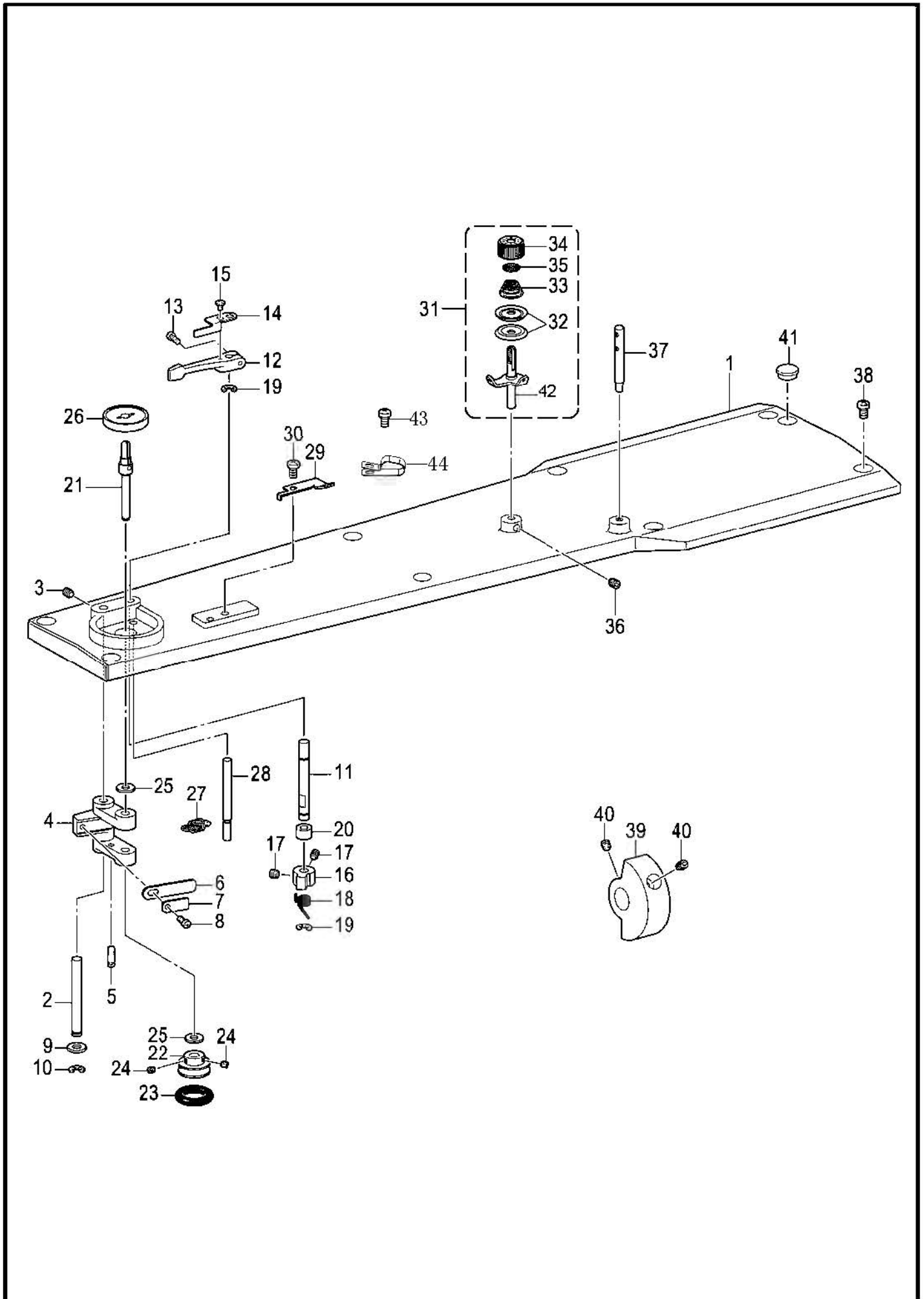
G. 穿线装置 / Threading mechanism



G、穿线装置/Threading mechanism

序号 No.	件号 Part. No.	参考件号 Ref. No.	零部件名称	NAME OF PARTS	数量 Amt.	备注
1	41712077	SA3250001	过线导向 A	ARM THREAD GUIDE A	3	
2	S04030	062500616	螺钉M5×6	SCREW PAN M5×6	3	
3	41712078	SA4333001	过线导向B	ARM THREAD GUIDE B	1	
4	S04030	062500616	螺钉M5×6	SCREW PAN M5×6	1	
5	41712079	SA6391001	过线器C	ARM THREAD GUIDE C	1	
6	S04030	062500616	螺钉M5×6	SCREW PAN M5×6	1	
7	41702030	153049001	面线导向杆	UPPER THREAD GUIDE STUD	2	
14	41713006	145446001	夹线盘	DISC TENSION	2	
17	S12001	SA4143001	尖端紧定螺钉 M6×8	SET SCREW (FT) M6×6	1	
18	41702031	S12699000	松线销	TENSION RELEASE PIN	1	
22	41713006	145446001	夹线盘	DISC TENSION	2	
23	41713301	SA8691001	机壳线钩	THREAD GUIDE ARM	1	
24	N01024	021400306	六角螺母 M4	NUT 3M 4	1	
24	41722320		减震橡皮	DAMPING RUBBER	1	
25	41726014	SA3257101	针套	NEEDLE BAR THREAD GUIDE A	1	
26	41712082	SA3258001	针杆轴套线导向D	N-BAR BUSH THREAD GUIDE D	1	
27	41203018	152881001	线冷却器架	NEEDLE COOLER ASSY	1	
27	41222019		塞头	CHOCK PLUG	1	
28	S10019	012060636	螺钉M6×6	SET SCREW SOCKET (FT) M6×6	1	
29	41223043	152883000	油毡8×15.5	FELT 8×15.5	1	
30	41213008	152884001	过线钩	NEEDLE COOLER THEAD GUIDE	1	
31	409S11017	062670412	螺钉	SCREW PAN SM3.57-40×4	1	
32	4221350200		主夹线器组件		1	
33	4171301400		副夹线器组件	THREAD TENSION REGULATOR ASSY	1	

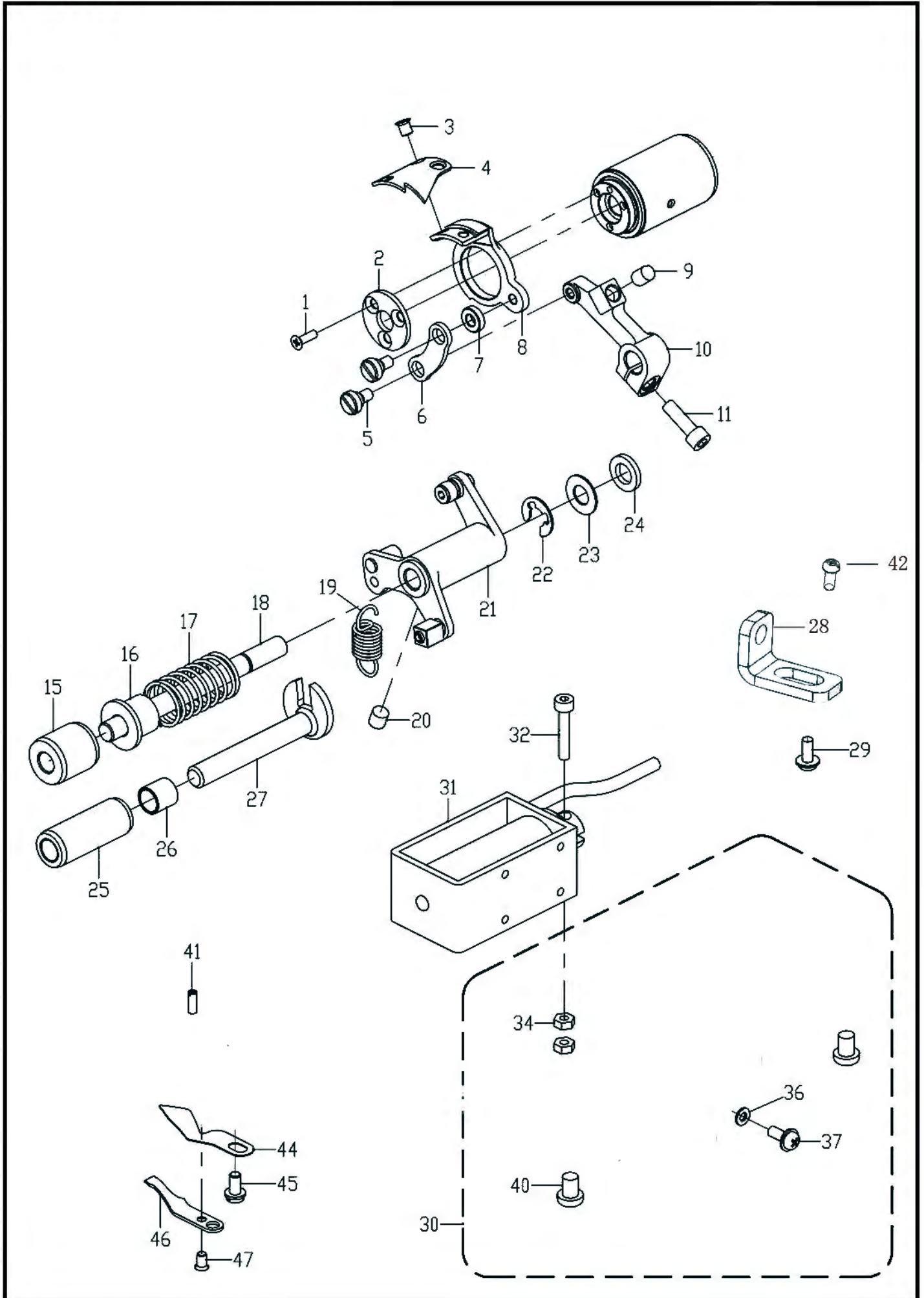
H. 卷线装置 / Bobbin winder mechanism



H、卷线装置/Bobbin winder mechanism

序号 No.	件号 Part. No.	参考件号 Ref. No.	零部件名称	NAME OF PARTS	数量 Amt.	备注
1	302749		上盖		1	
2	41702033	SA3290001	卷线手柄轴	SHAFT BW-LEVER	1	
3	S09019	012500536	螺钉M5X5	SET SCREW SOCKET (FT) M5×5	1	
4	41709026	SA3291001	卷线手柄	BOBBIN WINDER LEVER	1	
5	41702034	SA4171001	弹簧挂钩	SPRING HOOK	1	
6	41712084	152936001	板弹簧	PLATE SPRING	1	
7	41712085	152937001	垫圈	WASHER	1	
8	S04077	062350616	螺钉M3.5×6	SCREW PAN M3.5×6	1	
9	W01015	159486001	垫圈6.5	WASHER	1	
10	H05006	048050342	挡圈5	RETAINING RING E5	1	
11	41702035	SA3293001	卷线卡爪轴	STUD B-WINDER	1	
12	41709027	SA1984001	梭芯压臂柄	BOBBINPRESSER ARM	1	
13	S04081	062401216	螺钉M4×12	SCREW PAN M4×12	1	
14	41712086	SA3294001	梭芯压杆	BOBBIN PRESSER	1	
15	417S15006	S23418002	螺钉 M4×5	SCREW M4×5	1	
16	41709028	SA3295001	卷线卡爪	CLAW B-WINDER	1	
17	S09006	012400436	螺钉M4×4	SET SCREW SOCKET (FT) M4×4	2	
18	41727007	S10438001	弹簧	SPRING TWIST	1	
19	H05006	048050342	挡圈5	RETAINING RING E5	2	
20	41708025		垫片		1	
21	42202050		卷线轴		1	
22	41703021	SA3297001	卷线器	WHEEL B-WINDER	1	
23	41722017	120448001	橡皮圈	BOBBIN WINDER RUBBER BAND	1	
24	S09006	012400436	螺钉M4×4	SET SCREW SOCKET (FT) M4×4	2	
25	W01015	159486001	垫圈	WASHER	2	
26	41711063	SA1988001	梭芯座	BOBBIN SUPPORT	1	
27	41727008	S10268001	拉簧	SPRING	1	
28	41702037	SA3298001	止动轴	STPPER SHAFT B-WINDER	1	
29	41719001	SA3299001	切刀	KNIFT	1	
30	S04030	062500616	螺钉M5×6	SCREW PAN M5×6	1	
31	4171302100		卷线器夹线组件Q		1	
33	42227100		绕线器弹簧		1	
35	41728032		垫圈		2	
36	S09019	012500536	螺钉M5X5	SET SCREW SOCKET (FT) M5×5	1	
37	41713302	SA1359001	穿线杆	SPOOL PIN	2	
38	S04038	062061016	螺钉M6×10	SCREW PAN M6×10	9	
39	41704002	SA4797101	卷线驱动轮	DRIVING WHEEL B-WINDER	1	
40	S10018	S23651001	螺钉M6×0.75×6 45H	SET SCREW SOCKET (FT) M6×6	2	
41	41722003		橡皮塞10.5		1	
42	422S30801		上盖螺柱	TOP COVER SCREW	1	
43	41312089		线夹	WIRE CLIP	1	
44	417S30025	0A5401006	螺栓(带垫圈)M4×10DB	SCREW PAN (S/P WASHER) M4×10	1	

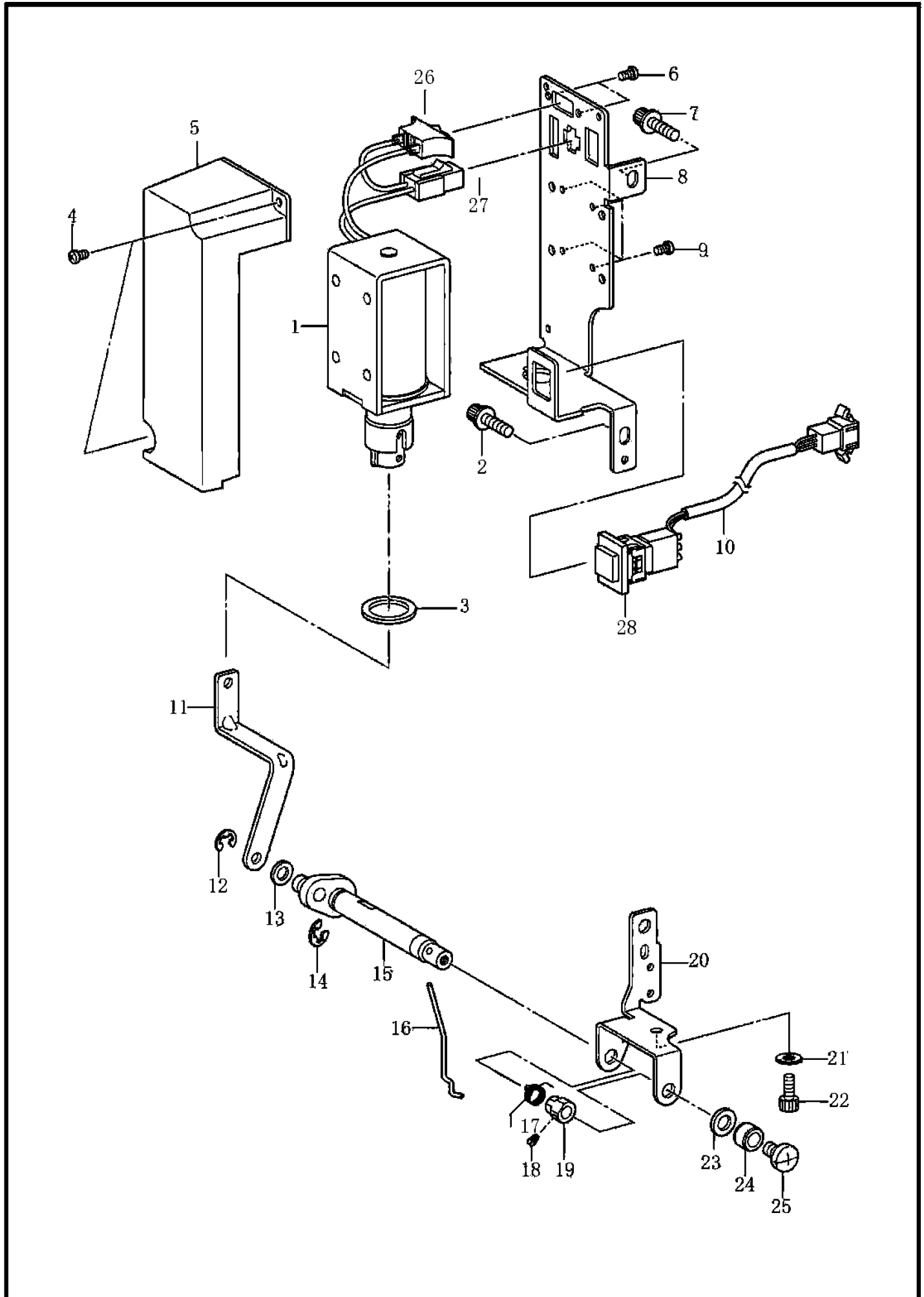
J. 切线装置 / Thread trimmer mechanism



J、切线装置/Thread trimmer mechanism

序号 No.	件号 Part. No.	参考件号 Ref. No.	零部件名称	NAME OF PARTS	数量 Amt.	备注
1	S02031		螺钉M3×5		3	
2	42212668		异形刀架压板		1	
3	113S17002		活动刀固定螺钉	SCREW	2	
4	13119004		动刀	MOTORIAL KNIFE	1	
5	113S20001		连杆螺钉	SCREW	2	
6	11505001		连杆	CONNECTING ROD	1	
7	13128003		连杆垫片	CONNECTING ROD WASHER	1	
8	13107002		剪线刀架	THREAD CUTTING TOOL	1	
9	11511001		驱动曲柄止动块	STOPPER	1	
10	13104006		切线曲柄	TANGENT CRANK	1	
11	S05004		螺钉 M5×14	BOLT SOCKET M5×14	1	
15	11503004		切刀驱动轴轴套	TANGENT DRIVE SHAFT BUSH	1	
16	11322002		扭簧端盖	SPRING COVER	1	
17	11327002		弹簧	SPRING	1	
18	11402051		切线驱动轴	TANGENT DRIVE SHAFT	1	
19	11527001		复位弹簧	SPRING	1	
20	116S14003		针杆曲柄销定位螺钉	SCREW SM1/4 (40) ×4.5	1	
21	1150400200		切线凸轮曲柄组件	TANGENT CAM CRANK ASSY	1	
22	H05031		挡圈 E6	RETAINING RING E6	1	
23	10112003		针杆曲柄护板	WASHER	2	
24	11322003		电磁铁缓冲垫	SOLENOID CUSHION	1	
25	11303003		切线轴套	TANGENT BUSH	1	
26	42203517		切线曲柄轴短套		1	
27	42201526		切线凸轮曲柄轴		1	
28	42212638		弹簧挂钩		1	
29	417S30025	0A5401005	螺栓(带垫圈)M4×10DB	SCREW PAN (S/P WASHER) M4×10	1	
30	1151200600		剪线电磁铁支架组件	ELECTROMAGNET BRACKET ASSY	1	
31	1153000200		剪线电磁铁组件	ELECTROMAGNET ASSY	1	
32	115S20002		轴位螺钉	SHOULDER SCREW	1	
34	413S16003		螺母M4		1	
36	W01002		M3垫片	WASHER M3	4	
37	S04082	062300616	螺钉M3×6	SCREW PAN M3×6	4	
40	S04038	062061016	螺钉M6×10	SCREW PAN M6×10	3	
41	422S30514		螺钉SM1/8×44		1	
42	S04031		螺钉M6×16		1	
44	13112007		护针片	THREAD GUIDE	1	
45	114S11009		挂板螺钉	SCREW	1	
46	13119001		定刀	FIXED BLADE	1	
47	113S17001		螺钉	SCREW	1	

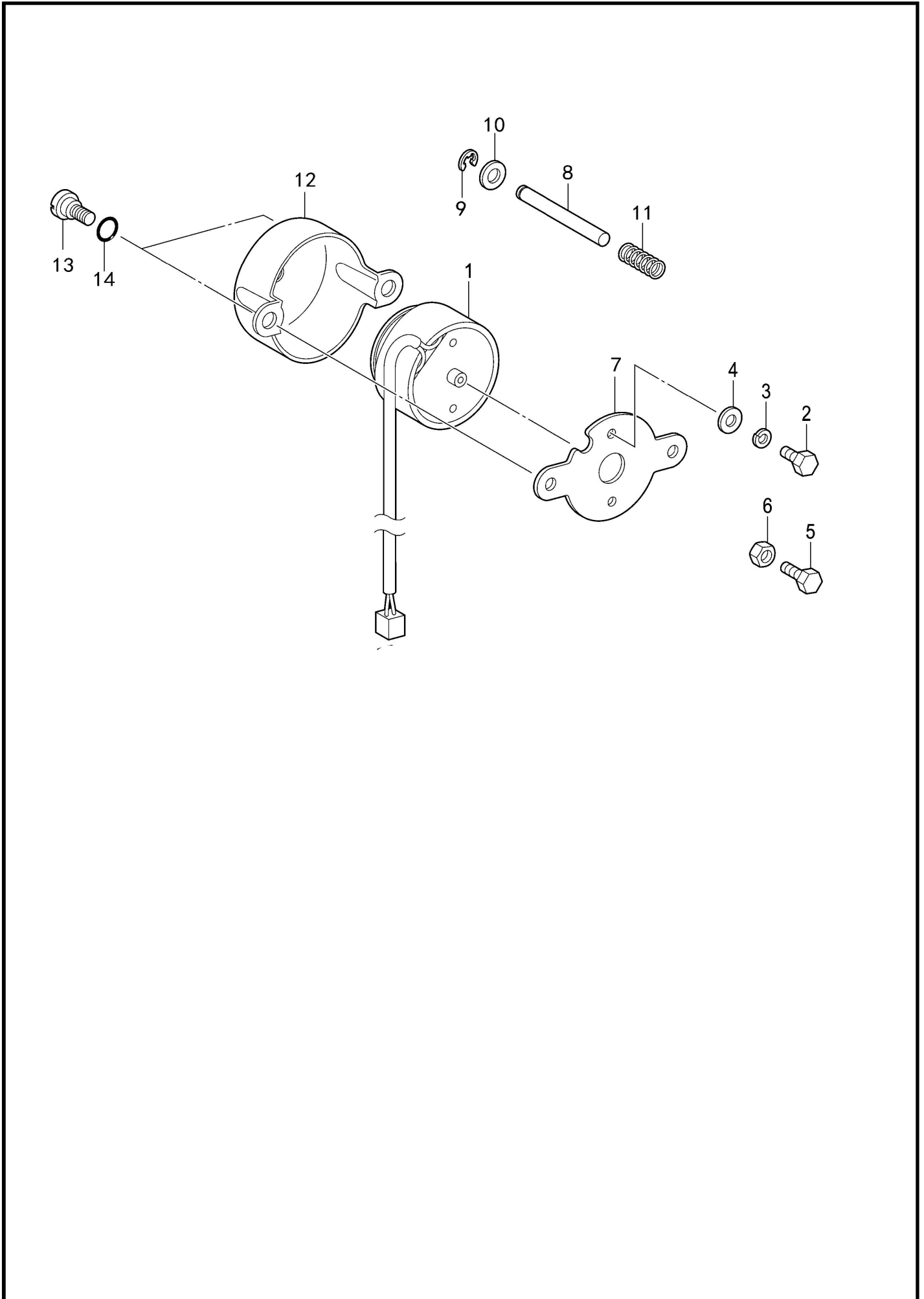
K. 扫线装置 / Thread wiper mechanism



K、扫线装置/Thread wiper mechanism

序号 No.	件号 Part.No.	参考件号 Ref.No.	零部件名称	NAME OF PARTS	数量 Amt.	备注
1	41730002	SA5208001	扫线电磁铁组件	THREAD WIPER SOLENOID ASSY	1	
2	417S30306	S55485001	螺栓(带垫圈)M5×15	BOLT SOCKET (S/P WASHER) M5×15	2	
3	41728011	S41205001	平垫圈	WASHER PLAIN	1	
4	S04082	062300616	螺钉M3×6	SCREW PAN M3×4	2	
5	41711011	SA4806001	电磁铁盖	SOLENOID COVER	1	
6	S04082	062300616	螺钉M3×6	SCREW PAN M3×4	6	
7	417S30306	S55485001	螺栓(带垫圈)M5×15	BOLT SOCKET (S/P WASHER) M5×15	2	
8	41712210	SA5217001	扫线电磁铁安装板	T-WIPER SOLENOID SETTING PLATE	1	
9	S04082	062300616	螺钉M3×6	SCREW PAN M3×4	6	
10	41730022		电磁阀接线	WIRE	6	
11	41712097	SA5219001	扫线杆	THREAD WIPER ROD	1	
12	H05002	048030342	挡圈3	RETAINING RING E3	1	
13	W01024	110735001	垫圈	WASHER	1	
14	H05029	048040342	挡圈 E4	RETAINING RING E4	1	
15	4170204400	SA1967001	扫线曲柄组件	THREAD WIPER CRANK ASSY	1	
16	41712098	S10470101	扫线钢丝	WIPER	1	
17	41727012	SA2287001	扭簧	SPRING	1	
18	417S15005	S25279001	螺钉 M3. 5-5	SET SCREW (CP) M3. 5-5	1	
19	41708007	S25454001	螺纹紧圈	SET SCREW COLLAR	1	
20	41712096	SA5218001	扫线轴托架	THREAD WIPER SHAFT BRACKET	1	
21	W01001	025040236	M4垫片	WASHER PLAN M4	1	
22	S05116	018400836	螺栓M4×8(滚花, 镀镍)(切)	BOLT SOCKET M4×8	1	
23	41728034	S03677001	垫圈	WASHER	1	
24	41708008	146288001	挡线轴挡圈	THREAD WIPER STUD COLLAR	1	
25	417S15013	060400516	螺钉 M4×5	SCREW BIND M4×5	1	
26	41730060		插件B	PLUGIN B	1	
27	41730059		扫线开关接插件A	PLUGIN A	1	
28	41730003	SA5213001	停止开关组件	STOP SWITCH ASSY	1	

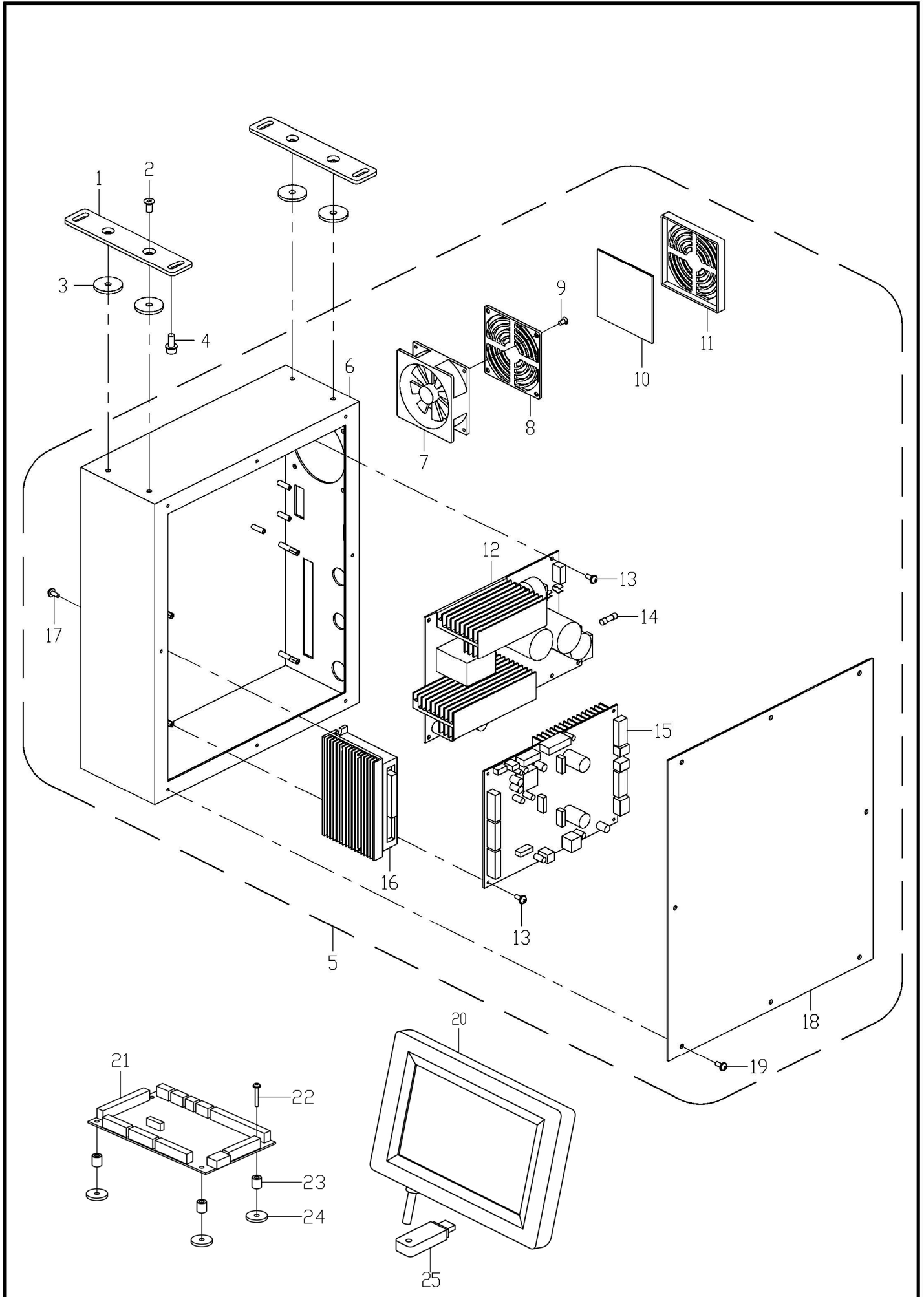
L . 松线装置 / Tension release mechanism



L、松线装置/Tension release mechanism

序号 No.	件号 Part. No.	参考件号 Ref. No.	零部件名称	NAME OF PARTS	数量 Amt.	备注
1	41730004	SA4855001	松线电磁铁HV	TENSION RELEASE SOLENOID HV	1	
2	L02031	017400802	螺栓M4×8	BOLT M4×8	2	
3	W02008	028040246	弹簧垫圈2-4	WASHER SPRING 2-4	2	
4	W01001	025040236	垫圈4	WASHER PLAIN M4	2	
5	L02071	017401415	螺栓M4×18	BOLT M4×18	1	
6	N01024	021400306	六角螺母M4	NUT 3 M4	1	
7	41712099	SA6389001	电磁铁安装板	SETTING PLATE SOLENOID	1	
8	41702045	SA3347001	松线杆	TENSION RELEASE BAR	1	
9	H05029	048040342	挡圈E4	RETAINING RING E4	1	
10	W01009	025050236	垫圈5	WASHER PLAIN M5	1	
11	41727013	SA3348001	弹簧	SPRING COMPRESSION	1	
12	41711013	SA3349001	电磁铁盖	SOLENOID COVER	1	
13	417S30012	SA3306001	段螺钉7-3	SHOULDE SCREW 7-3	2	
14	41722021	081007070	O形圈P7	O RING P7	2	

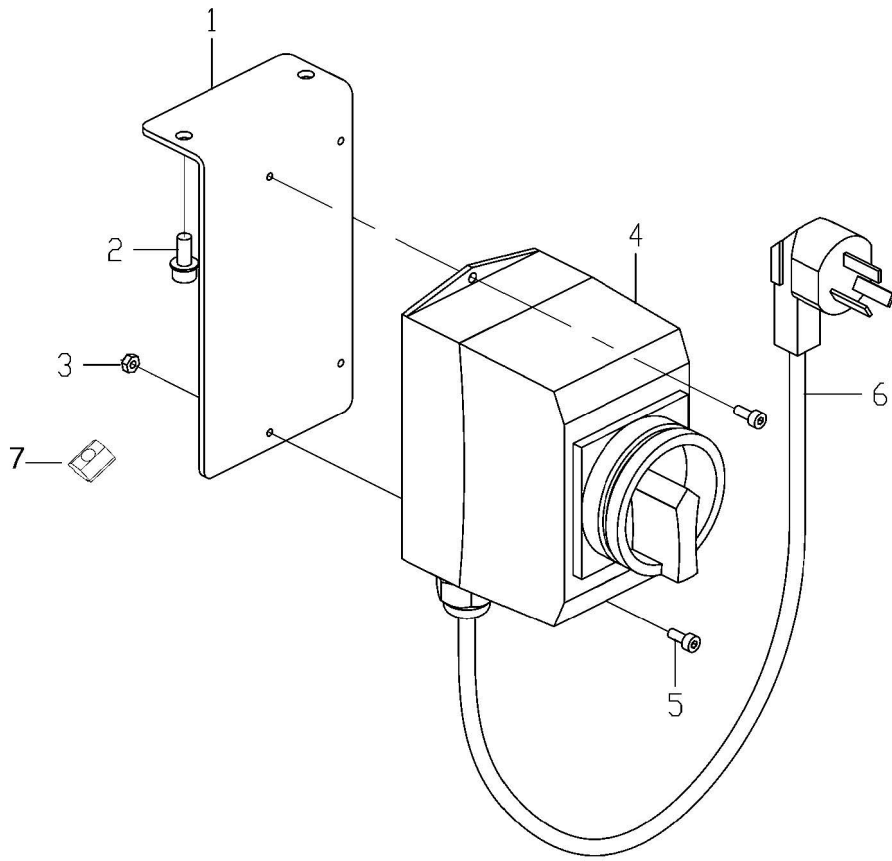
M. 控制箱装置 / Control box mechanism



M、控制箱装置/Control box mechanism

序号 No.	件号 Part. No.	参考件号 Ref. No.	零部件名称	NAME OF PARTS	数量 Amt.	备注
1	42212597		电控安装板	ELECTRIC CONTROL MOUNTING PLATE	2	
2	422S17502		内六角沉头螺钉M6×12	SCREW FLAT M6×12	4	
3	40931008		电机座垫	RUBBER SPACER	4	
4	417S30304	S47269001	螺栓（带垫圈）M6×20	BOLT SOCKET (S/P WASHER) M6×20	4	
5	42230510		10080电控	ELECTRICAL CONTROL BOX	1	
6	42212631		电控箱	ELECTRICAL CONTROL BOX	1	
7	42230554		风扇	FAN	1	
8	42211541		滤网罩B		1	
9	S02039	S25310101	螺钉M4	SCREW FLAT M4	4	
10	42223511		滤网	FILTER	1	
11	42211542		滤网罩A	FILTER COVER A	1	
12	42230555		电源板	POWER SUPPLY BOARD	1	
13	S04082	062300616	螺钉M3×6	SCREW PAN M3×6	10	
14	42230556		保险丝	FUSE	1	
15	42230557		主板		1	
16	42230558		步进驱动板	STEPPER MOTOR DRIVE PLATE	1	
17	417S30021	062401016	螺钉M4×10	SCREW PAN M4×10	2	
18	42212632		电控箱盖板	ELECTRICAL CONTROL BOX COVER	1	
19	417S30021	062401016	螺钉M4×10	SCREW PAN M4×10	8	
20	42230551		显示屏	OPERATION PANEL ASSY	1	
21	42230559		接口板	INTERFACE BOARD	1	
22	424S13011		螺钉M3×20	SCREW PAN M3×20	4	
23	42211508		接口板垫圈	INTERFACE PLATE WASHER	4	
24	41722010	SA4677101	补助板缓冲	AUXILIARY PLATE CUSHION	4	
25	42230553		加密狗	ENCRYPTION DOG	1	

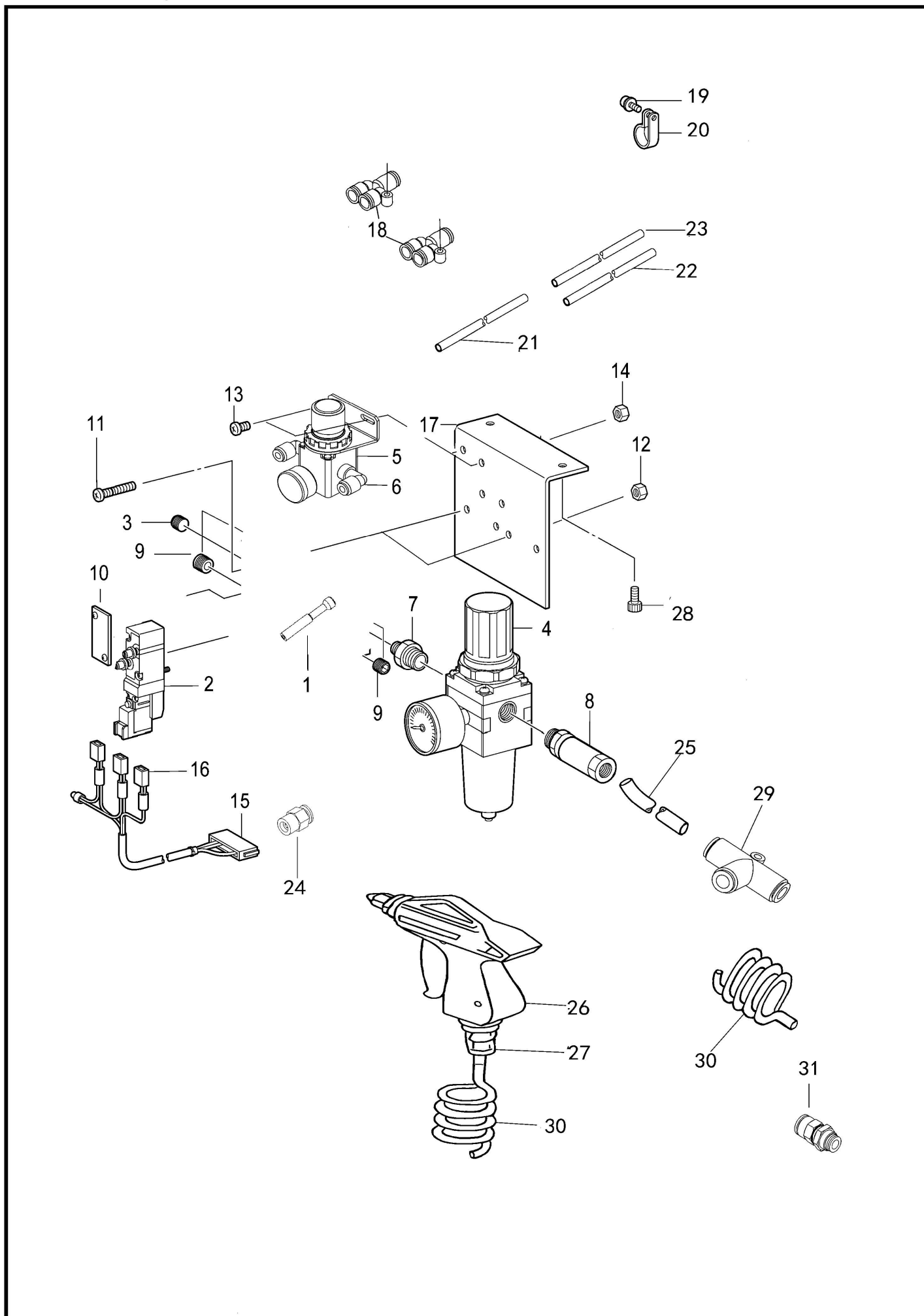
N . 开关装置 / Power switch mechanism



N、开关装置/Power switch mechanism

序号 No.	件号 Part. No.	参考件号 Ref. No.	零部件名称	NAME OF PARTS	数量 Amt.	备注
1	41712107		电源开关安装支架	POWER SWITCH MOUNTING BRACKET	1	
2	417S30037	S42446001	螺栓M6×14	BOLT SOCKET (S/P WASHER) M4×12	2	
3	N01024	021400306	六角螺母M4	NUT 3M 4	2	
4	40730004		主电源开关	POWER SWITCH	1	
5	S05133	018401036	螺钉M4×12	BOLT SOCKET M4×10	4	
6	42230512		主电源开关线 (5M)	POWER SWITCH WIRE	1	
7	422S16503		方形螺母块3060M6		2	

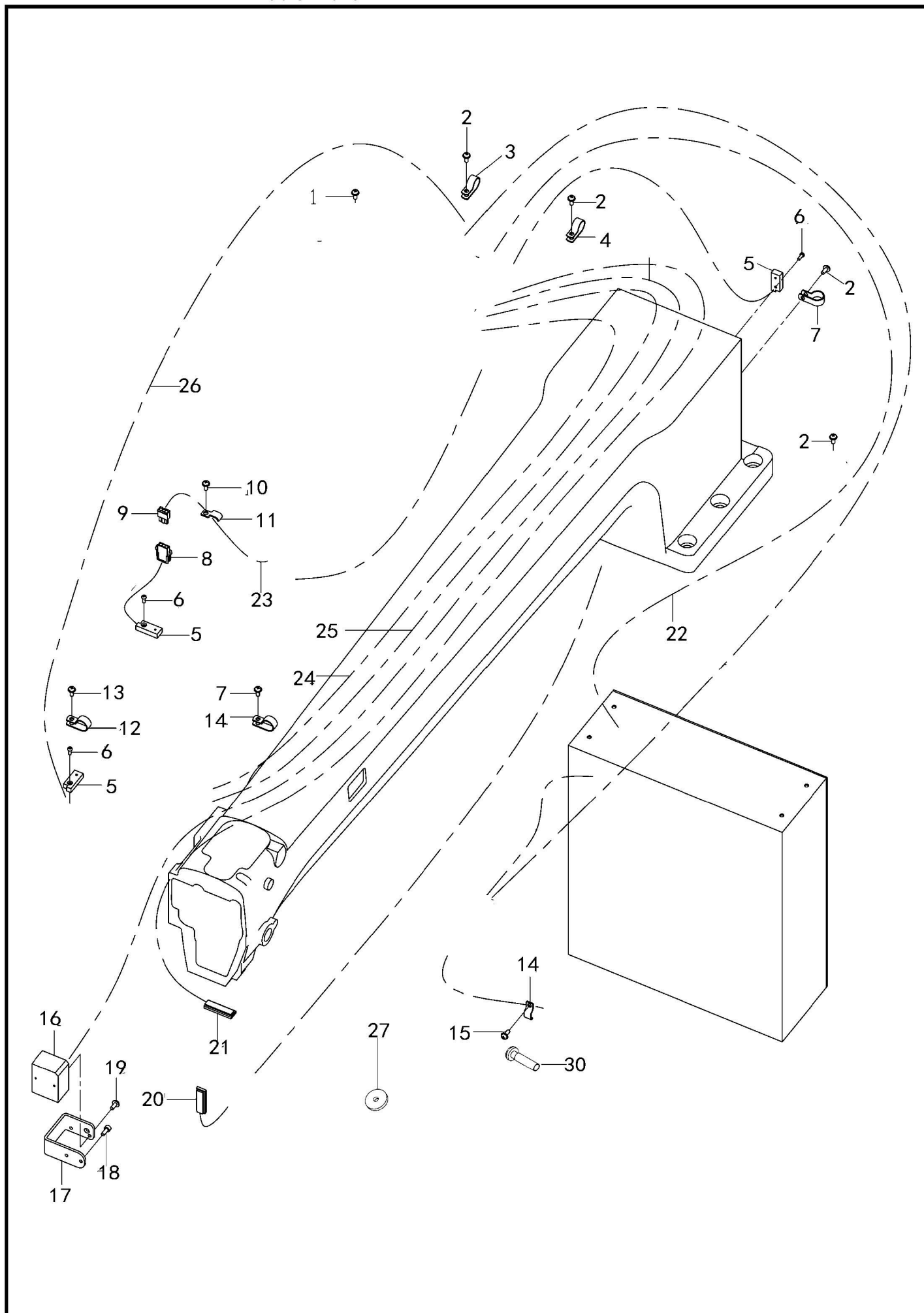
P . 空压装置 / Air pressure mechanism



P、空压装置/Air pressure mechanism

序号 No.	件号 Part. No.	参考件号 Ref. No.	零部件名称	NAME OF PARTS	数量 Amt.	备注
1	42122001	SA5289001	快换插头	MANIFOLD3	1	
2	40730013	S39116100	电磁阀	SOLENOID VALVE	4	
3	40728003	SA5283001	消声器	SILENCER	2	
4	40730024		气源处理元件	FILTER	1	
5	4073000900		压力调节器	PRESSURE GOVERNOR	1	
6	41736003		气管接头	GAS POPE JOINT	2	
7	417S30026	S09228000	过滤器安装板	NIPPLE	1	
8	42130096	SA6573001	手动开关VHK3	VALVE VHK3	1	
9	407S12002	153274001	汇流板密封螺钉	SCREW	3	
10	40730031		电磁阀盖板		1	
11	417S30024	018503036	螺栓M4×30	BOLT SOCKET M4×30	2	
12	N01024	021400306	六角螺母M4	NUT M4	2	
13	417S30025	0A5401005	螺栓（带垫圈）M4×10DB	SCREW PAN M4×10	2	
14	N01024	021400306	六角螺母M4	NUT M4	2	
15	41730022	SA5191001	电磁阀接线	VALVE HARNESS	4	
16	61807021		接插件SY100-30-A	CONNECTOR	3	
17	42212618		电磁阀安装板	BLANKING PALTE	1	
18	40736036		气管接头APY4（Y型三通）	POPE JOINT APY4	2	
19	417S30025	0A5401006	螺栓（带垫圈）M4×10DB	SCREW PAN M4×10	4	
20	41711015		线夹13.2	CORD HOLDER 13.2	2	
21	41845223	SA8659001	气管4×2.5透明蓝	AIR TUBE	3	
22	41845223	SA8659001	气管4×2.6透明蓝	AIR TUBE	2.7	
23	41845223	SA8659001	气管4×2.7透明蓝	AIR TUBE	5.4	
24	42236018		螺纹直通APC6-02		1	
25	42221503		气管Φ8	AIR TUBE	2.8	
26	40730001		气枪	AIR GUN	1	
27	40736022		气管接头APG6	NIPPLE	1	
28	417S30037		螺栓M6×14	BOLT SOCKET M6×14	2	
29	42236512	S04159000	气管接头PA8-02		1	
30	42211540		螺旋气管		1	
31	40736048		接头		8	

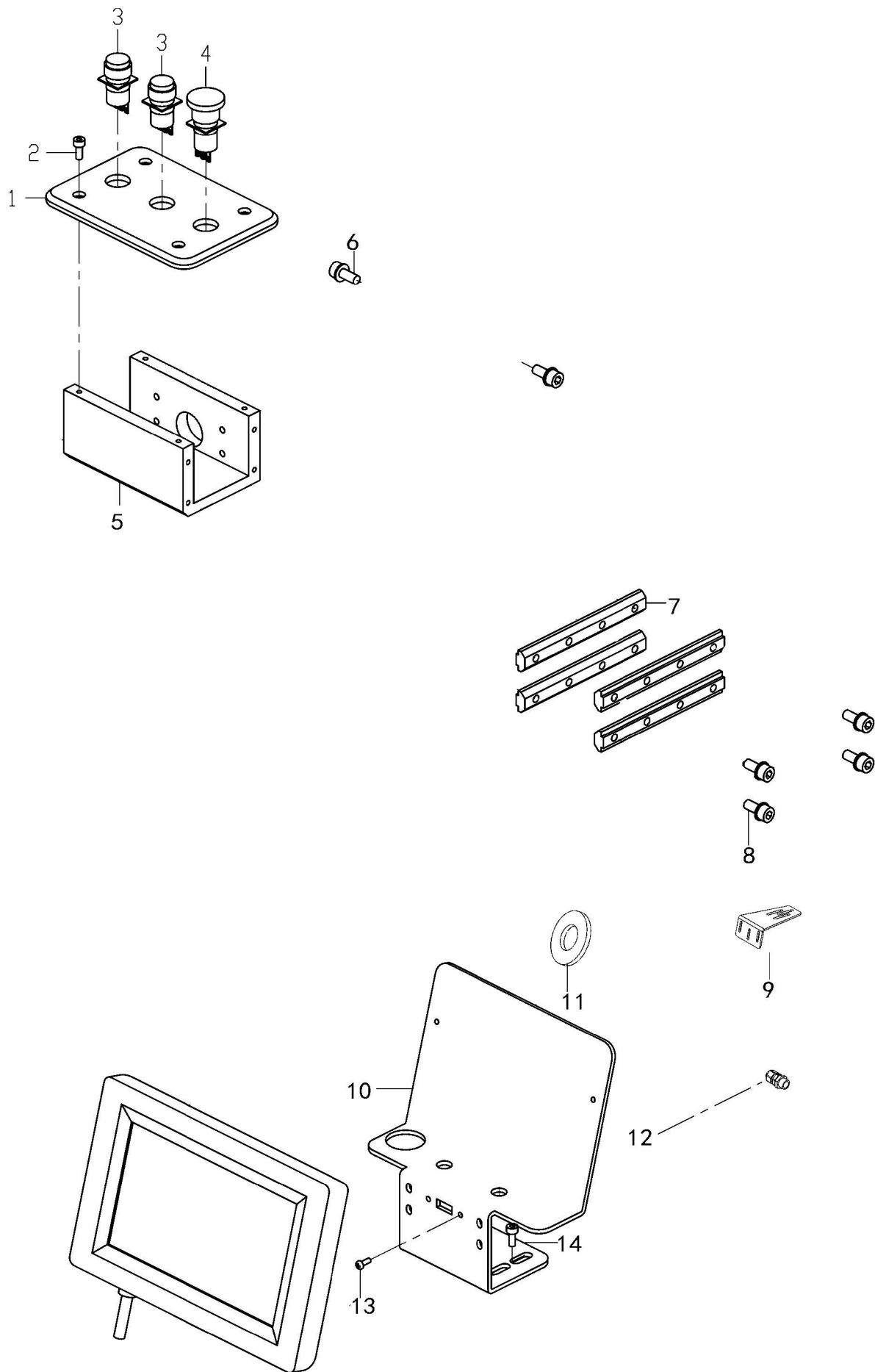
Q . 电气部品装置 / Power supply equipment mechanism



Q、电器部品装置/Power supply equipment mechanism

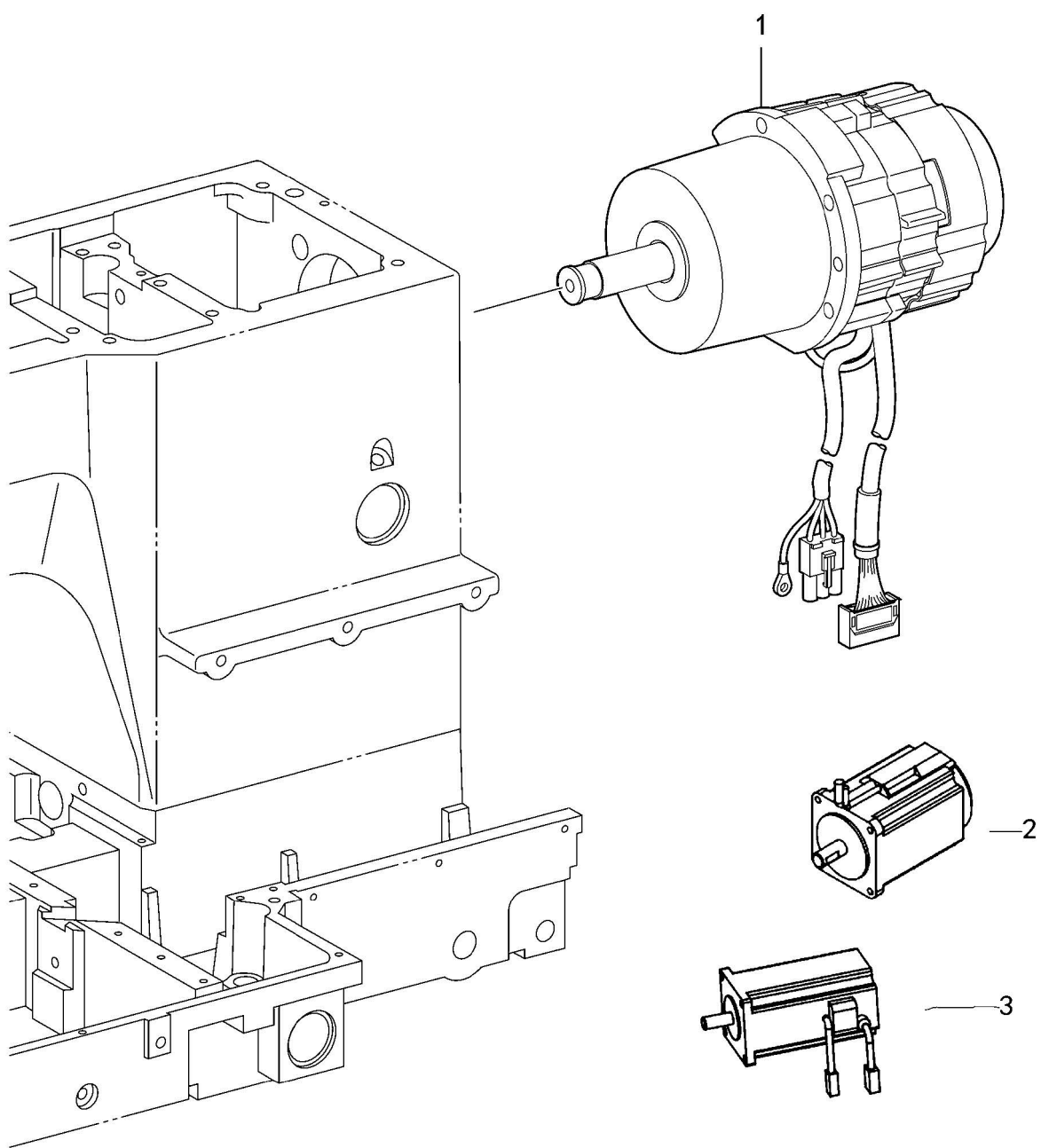
序号 No.	件号 Part. No.	参考件号 Ref. No.	零部件名称	NAME OF PARTS	数量 Amt.	备注
1	417S30025	0A5401006	螺栓 (带垫圈) M4×10DB	SCREW PAN (S/P WASHER) M4×10	1	
2	417S30025	0A5401006	螺栓 (带垫圈) M4×10DB	SCREW PAN (S/P WASHER) M4×10	4	
3	41711017	525567000	电线夹16	CORD HOLDER 16	1	
4	41711017	525567000	电线夹16	CORD HOLDER 16	1	
5	41730851	SA8521001	原点感应器组件	H-POSITION SENSOR ASSY	3	
6	S04076	062300816	螺钉M3×8 (镀镍)	SCREW PAN M3×8	3	
7	41711026	554482000	电线夹23	CORD HOLDER 23	1	
8	42230005		X传感器接插件B	CONNECTORS B	1	
9	42230004		X传感器接插件A	CONNECTORS A	1	
10	417S30025	0A5401006	螺栓 (带垫圈) M4×10DB	SCREW PAN (S/P WASHER) M4×10	1	
11	12912327		线夹	CORD HOLDER	1	
12	41711014	149547000	压线板6.4	CORD HOLDER 6.4	3	
13	417S30025	0A5401006	螺栓 (带垫圈) M4×10DB	SCREW PAN (S/P WASHER) M4×10	3	
14	41711015	525567000	电线夹13.2	CORD HOLDER 13.2	4	
15	417S30025	0A5401006	螺栓 (带垫圈) M4×10DB	SCREW PAN (S/P WASHER) M4×10	2	
16	42230524		条码识读器NLS-FM100	BAR CODE READ DEVICE	1	
17	42212599		条码识读器安装板C1	MOUNTING PLATE	1	
18	S05094	062300616	螺钉M3×8 (镀铬)	SCREW PAN M3×8	2	
19	S04076	062300616	螺钉M3×8 (镀镍)	SCREW PAN M3×8	2	
20	40230011		LED灯	LED LIGHT	1	
21	41730070		LED灯 (TD-5)	LED LIGHT (TD-5)	1	
22	41730022		电磁阀接线	WIPER SOLENOID HARNESS	2.5	
23	41730022		电磁阀接线	SWITCH HARNESS	2.5	
24	42230816		导线3C	SENSOR HARNESS	2	
25	42230816		导线3C	SENSOR HARNESS	2	
26	41730022		电磁阀接线	SWITCH HARNESS	2.5	
27	41722010		补助板缓冲	START SWITCH HARNESS	4	
28	42230564		电线夹19	STOP SWITCH HARNESS	1	
29	42230565		识别器安装板C2	INTERFACE BOARD HARNESS	1	
30	422S11501		M3×25螺钉		4	

R. 操作界面装置 / Operation interface mechanism



R、操作界面装置/Operation interface Mechanism

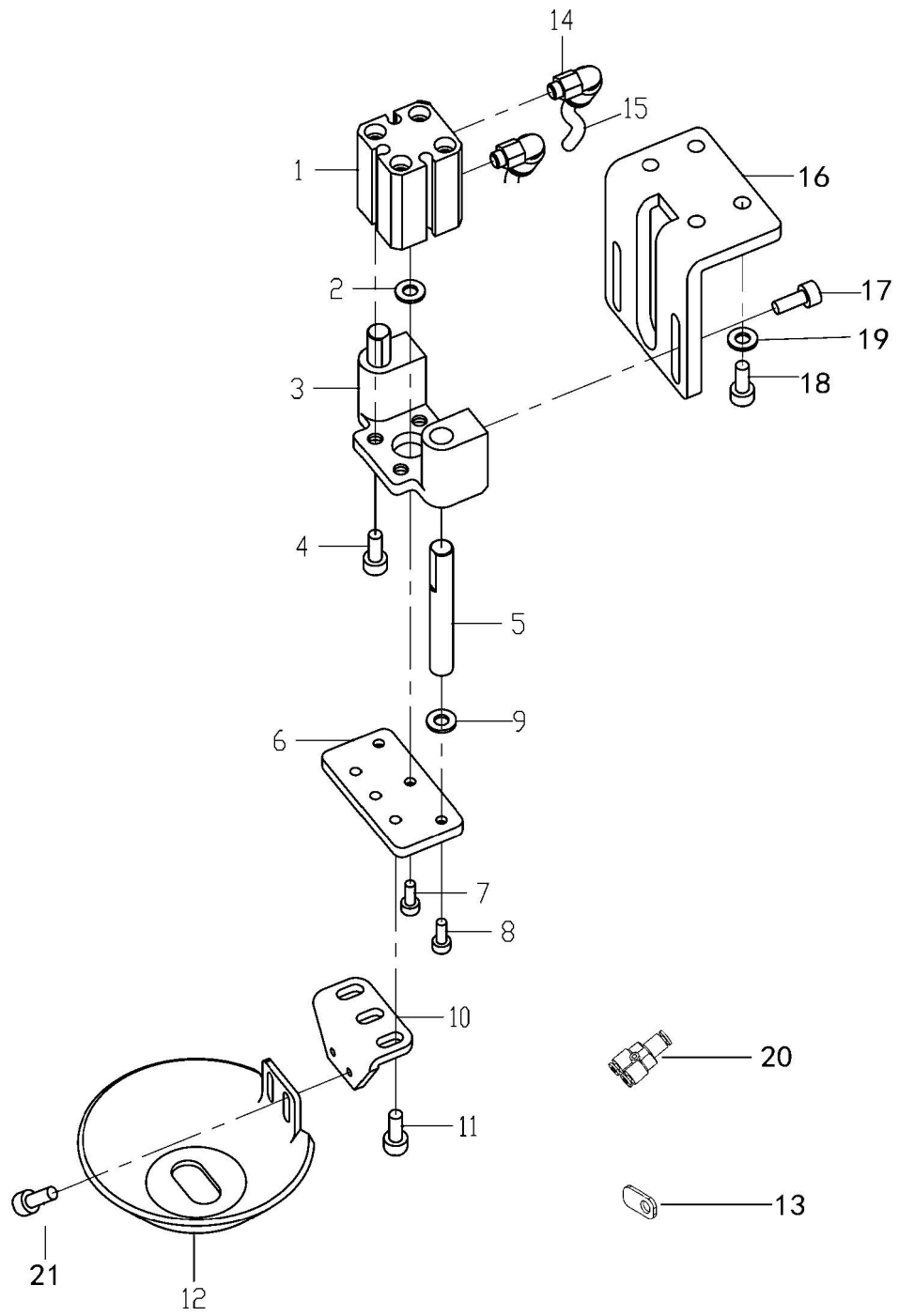
序号 No.	件号 Part. No.	参考件号 Ref. No.	零部件名称	NAME OF PARTS	数量 Amt.	备注
1	41812237		开关盒安装板A	SWITCH MOUNTING PLATE	1	
2	417S30302		螺钉M4×12 (带垫圈)	SCREW PAN M4×10	4	
3	41832014		按钮开关	BUTTON SWITCH	2	
4	42230215		急停开关	STOP SWITCH	1	
5	42209564		按钮开关盒	SWITCH BOX	1	
6	417S30037	S42446001	螺栓M6×14	BOLT SOCKET (S/P WASHER) M4×12	2	
7	42209509		槽条连接件E	CONNECTOR G	1	
8	417S30304	S42446001	螺栓M6×20	BOLT SOCKET (S/P WASHER) M4×12	4	
9	41812062		按钮盒安装板B	OPERATION PANEL ASSY	1	
10	42212622	302750	操作屏支架	OPERATION PANEL STAND	1	
11	W01001		M4垫片		3	
12	41811215		出线口	COVER	1	
13	S04076		螺钉M3×8 (镀镍)	SCREW PAN M3×8	4	
14	S05116		螺栓M4×8(滚花, 镀镍)		3	



S、马达装置/Motor mechanism

序号 No.	件号 Part. No.	参考件号 Ref. No.	零部件名称	NAME OF PARTS	数量 Amt.	备注
1	42230515	J80991001	主轴电机	MOTOR ASSY	1	
2	42230516		XY步进电机(删除)		2	
3	41833011		X步进电机B		3	

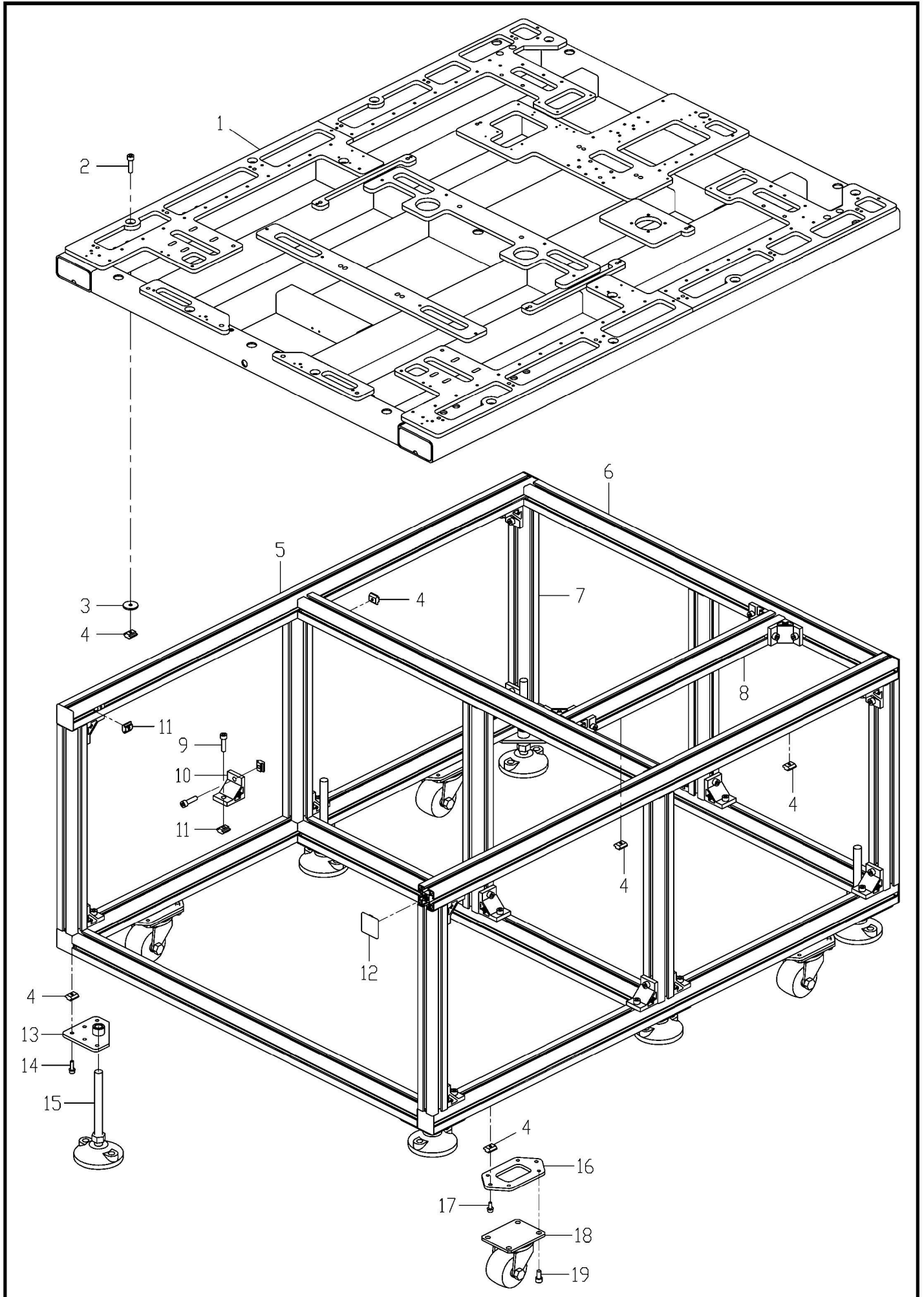
T. 外压脚装置 / External work clamp mechanism



T、外压脚装置/External work clamp Mechanism

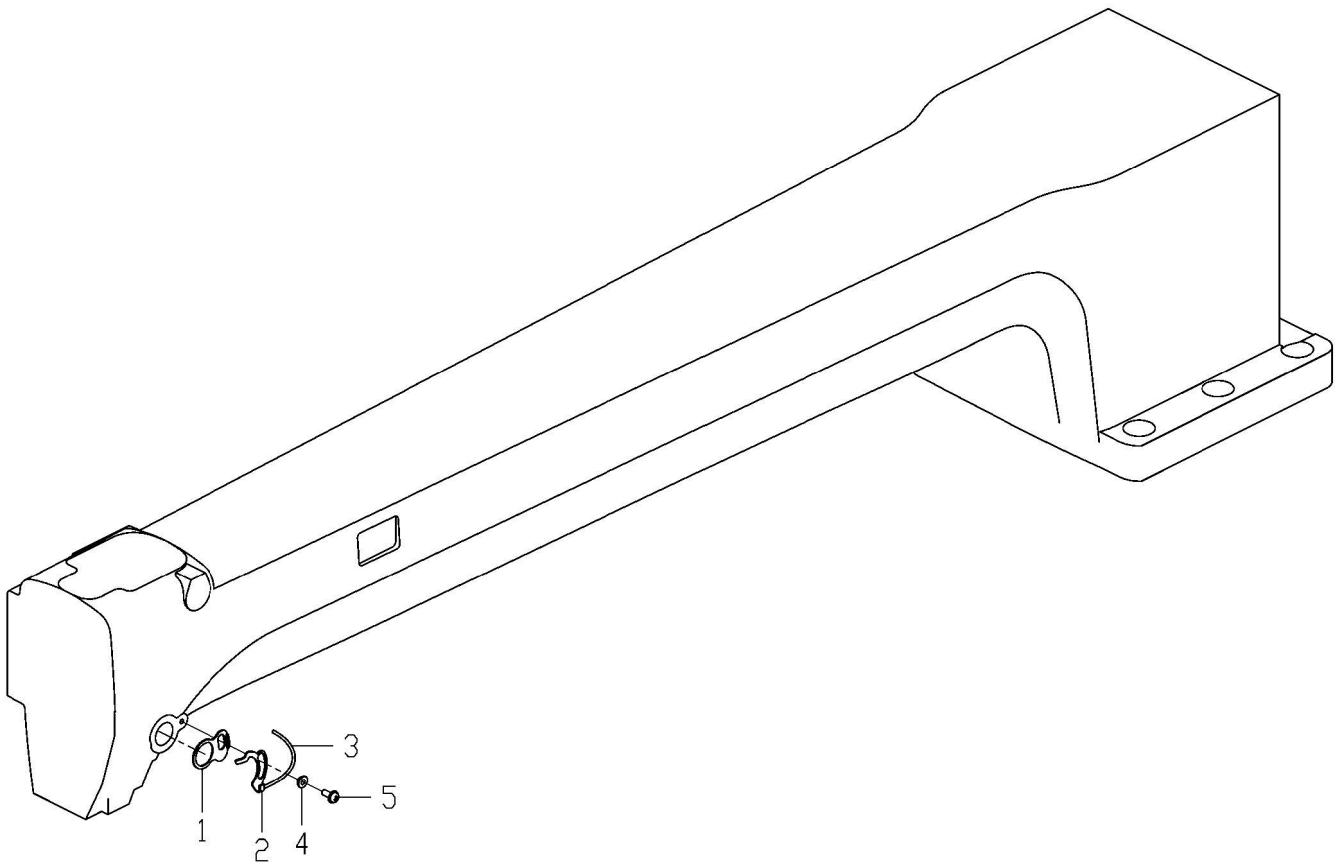
序号 No.	件号 Part. No.	参考件号 Ref. No.	零部件名称	NAME OF PARTS	数量 Amt.	备注
1	42230822		气缸CQ2A12-15D	CYLINDER CQ2B12-15D	1	
2	W01002		垫片M3	WASHER M3	7	
3	42201541		导杆块	GUIDE ROD BLOCK	1	
4	S05116	018400836	螺栓M4×8	BOLT SOCKET M4×8	4	
5	42226508		导杆8	GUIDE ROD E	2	
6	42212548		导杆气缸联接板	CONNECTING PLATE	1	
7	S05094	018300836	螺钉M3×8	SCREW PAN M3×8	1	
8	S04076	62300616	螺钉M3×8	SCREW PAN M3×6	2	
9	42211536		接头PA4	SOLENOID CUSHION	1	
10	42212605		大压脚联接板	EXTERNAL WORK CLAMP FIXING PLATE	1	
11	S05116	018400836	螺栓M4×8	BOLT SOCKET M4×8	3	
12	42216509		大压脚G	EXTERNAL WORK CLAMP G	1	
13	42212641	62300616	管夹	SCREW PAN M3×6	2	
14	40736048		接头KJS4-M5	STRAIGHT PIPE JOINT M5	2	
15	42221502	SA8659001	铜管U	AIR TUBE	1	
16	42212547		支架	BRACKET	1	
17	417S30302	S55481001	螺栓（带垫圈）M4×12	BOLT SOCKET (S/P WASHER) M4×12	4	
18	417S30034	S55481001	螺栓（带垫圈）M4×14	BOLT SOCKET (S/P WASHER) M4×14	4	
19	42212550		垫片		8	
20	40736036	62300616	气管接头APY4		1	
21	S05116	018400836	螺栓M4×8	BOLT SOCKET M4×8	2	

U . 机架装置 / Table mechanism



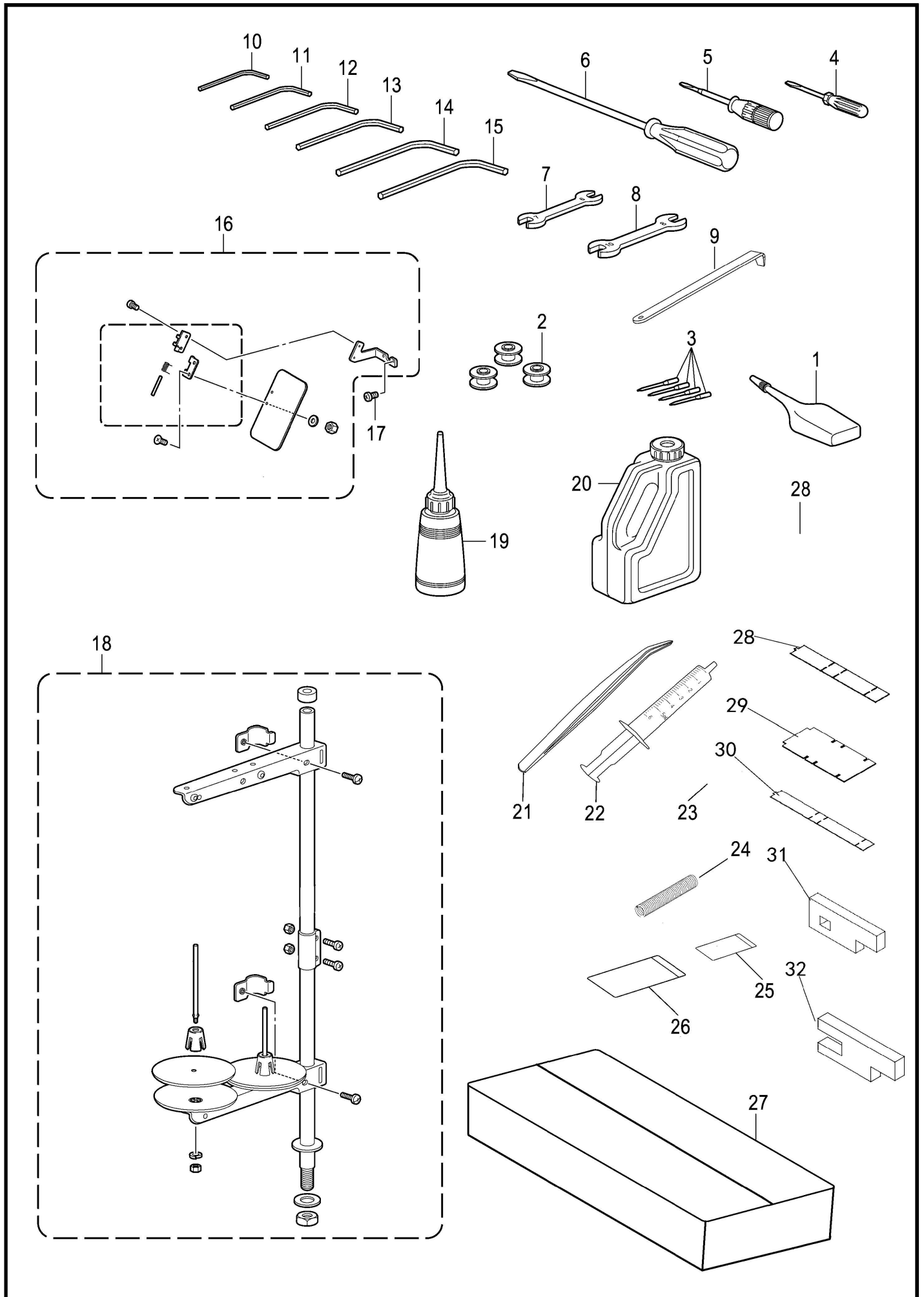
U、机架装置/Table mechanism

序号 No.	件号 Part. No.	参考件号 Ref. No.	零部件名称	NAME OF PARTS	数量 Amt.	备注
1	42232501		基架	BASE FRAME	1	
2	417S30304	S47269001	螺栓（带垫圈）M6×20	BOLT SOCKET (S/P WASHER) M6×20	14	
3	40931008		电机座垫	RUBBER SPACER	14	
4	422S16505		方形螺母块4545M6	SQUARE NUT 4545M6	52	
5	42232521		铝型材4545X1340	ALUMINUM PROFILE 4545X	4	
6	42232522		铝型材4545Y990	ALUMINUM PROFILE 4545Y	5	
7	42232523		铝型材4545Z480	ALUMINUM PROFILE 4545Z	8	
8	42232524		铝型材4545M602	ALUMINUM PROFILE 4545M	1	
9	S05074		内六角圆柱头螺钉M8×20	BOLT SOCKET M8×20	96	
10	42232525		直角支架	RIGHT ANGLE BRACKET	48	
11	422S16504		方形螺母块4545M8	SQUARE NUT 4545M8	96	
12	42211532		端盖4545	END CAP 4545	8	
13	4221259000		脚垫安装板组件	MATS MOUNTING PLATE	6	
14	417S30304	S47269001	螺栓（带垫圈）M6×20	BOLT SOCKET (S/P WASHER) M6×20	30	
15	41722500		脚垫	MATS	6	
16	42212588		脚轮安装板	CASTER MOUNTING PLATE	4	
17	417S30304	S47269001	螺栓（带垫圈）M6×20	BOLT SOCKET (S/P WASHER) M6×20	8	
18	42232502		脚轮	CASTORS	4	
19	701S13003		内六角圆柱头螺钉M8×16	BOLT SOCKET M8×16	16	



W1、断线感应装置/Thread breakage detector mechanism

序号 No.	件号 Part. No.	参考件号 Ref. No.	零部件名称	NAME OF PARTS	数量 Amt.	备注
1	41711054		传感器内绝缘片	INSULATION SLICES	1	
2	42212837		感应铜片	INDUCTION COPPER	1	
3	62800016		导线单芯 (0.2mm)	WIRE	2	
4	41711053		传感器外绝缘片	INSULATION SLICES	1	
5	417S30025	0A5401006	螺栓 (带垫圈) M4×10DB	SCREW PAN (S/P WASHER) M4×10	1	



Z、附件/Accessories

序号 No.	件号 Part. No.	参考件号 Ref. No.	零部件名称	NAME OF PARTS	数量 Amt.	备注
1	20131038		小油壶(尖嘴)	SILICONE OIL	1	
2	10818501	S44633001	梭心	BOBBIN	3	
3	42217504	145646019	机针DP×5 8#	NEEDLE DP×5	4	
4	10131004	142443001	螺丝刀(小)	SCREW-DRIVER (SMALL)	1	
5	10131003	118837001	螺丝刀(中)	SCREW-DRIVER (MIDDLE)	1	
6	10131002	101572102	螺丝刀(大)	SCREW-DRIVER (MIDDLE)	1	
7	30131005	107779001	双头扳手6×7	WRENCH 6×7	1	
8	30131006	100887001	双手扳手8×10	WRENCH 8×10	1	
9	41712355		专用螺丝刀	SPECIAL SCREW-DRIVER	1	
10	30131007	S07783001	内六角扳手1.5	HEXAGONAL WRENCH 1.5	1	
11	20131046	142002001	内六角扳手2	HEXAGONAL WRENCH 2	1	
12	30131010	154125001	内六角扳手2.5	HEXAGONAL WRENCH 2.5	1	
13	30131012	142721001	内六角扳手3	HEXAGONAL WRENCH 3	1	
14	20131047	118064001	内六角扳手4	HEXAGONAL WRENCH 4	1	
15	20131056	150335001	内六角扳手5	HEXAGONAL WRENCH 5	1	
16	4121208400	SA4103001	护眼板组件D	EYE GUARD SET D	1	
17	417S30025	0A5401005	螺栓(带垫圈)M4×10DB	SCREW PAN (S/P WASHER) M4×10	2	
18	1013100700	S40574309	线架组件2DTHF	COTTON STAND ASSY 2DTHF	1	
19	11631008	114483002	油壶组件	OILER ASSY	1	
20	1011101200	S55663001	油箱组件	OIL TANK ASSY	1	
20	900777		白油	OIL	0.5	
21	20131051		镊子	FORCEPS	1	
22	11411029		注射器	INJECTOR	1	
23	40736001		螺纹套管接头	ENCRYPTION DOG	1	
24	40730010		螺旋气管	MANUAL	6	
25	20131076		15×9袋	ACCESSORY BAG 15×9	4	
26	20131077		20×15袋	ACCESSORY BAG 20×15	3	
27	41731015		花样机附件箱	1PCS ATTACHMENT BOX	1	
28	42231100		前板纸箱	CD	1	
29	42231101		操作屏纸箱	LABEL	1	
30	42231102		横梁纸箱		1	
31	42231103		横梁支撑纸板A		2	
32	42231104		横梁支撑纸板B		2	
33	42232545		折叠辅助台板		2	