

WT
ISO9001 认证

CE

国家高新技术企业

清洁生产

JK-T781 系列

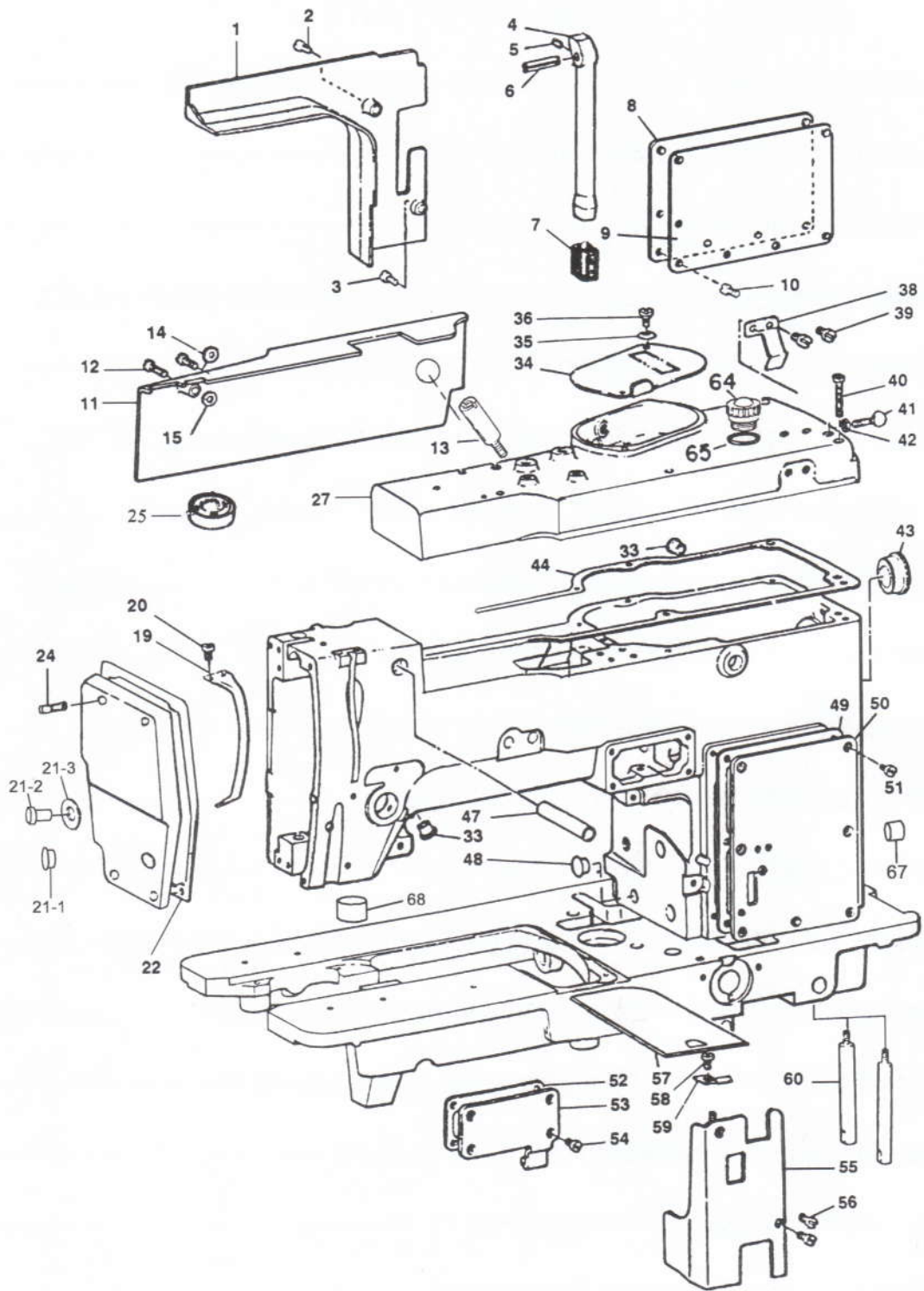
User Guide

产品使用说明书

 **杰克缝纫机**
JACK SEWING MACHINE

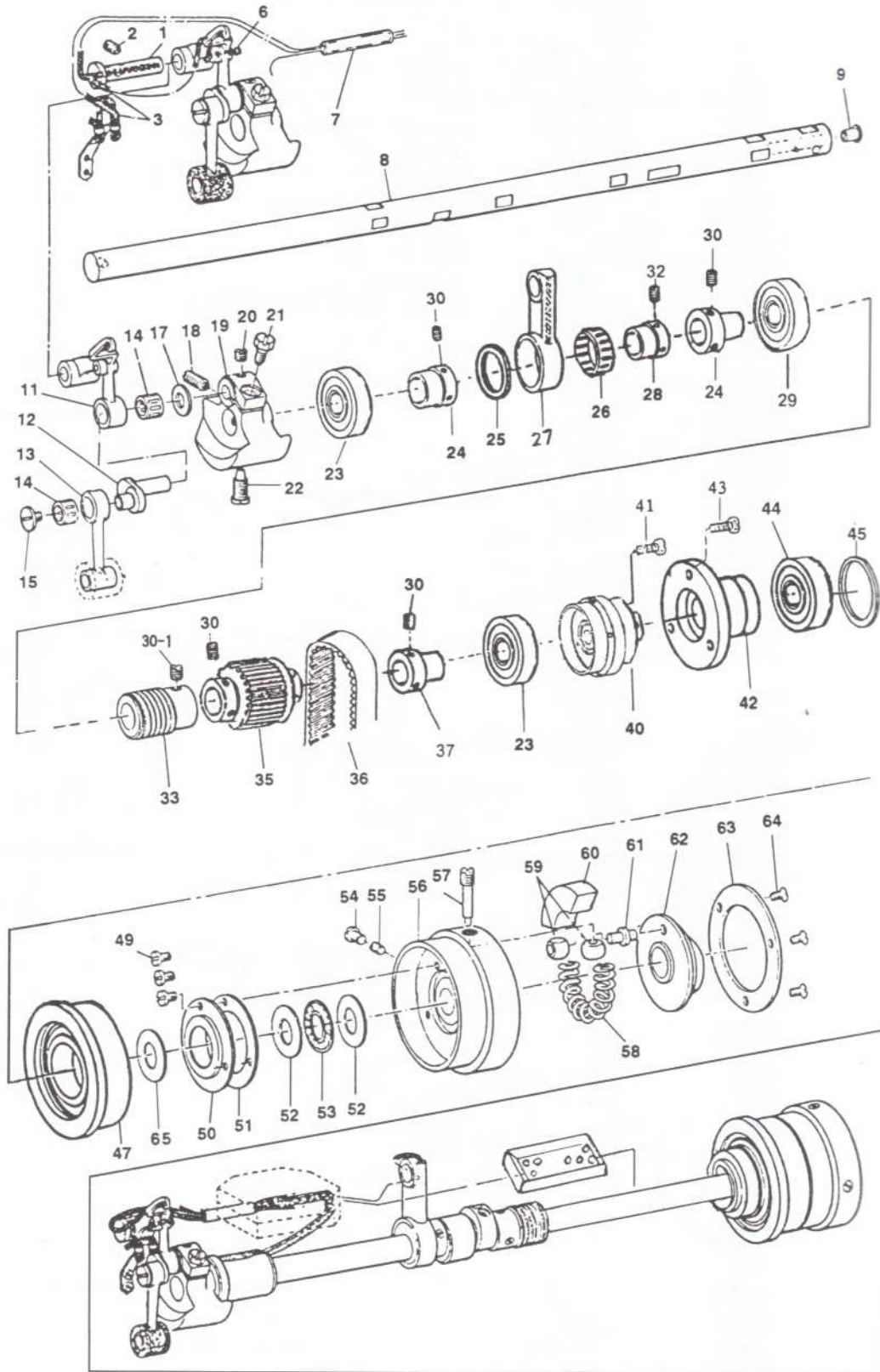
| [HTTP://WWW.CHINAJACK.COM](http://www.chinajack.com) |

1. 头部外装关系 / FRAME & MISCELLANEOUS COVER COMPONENTS



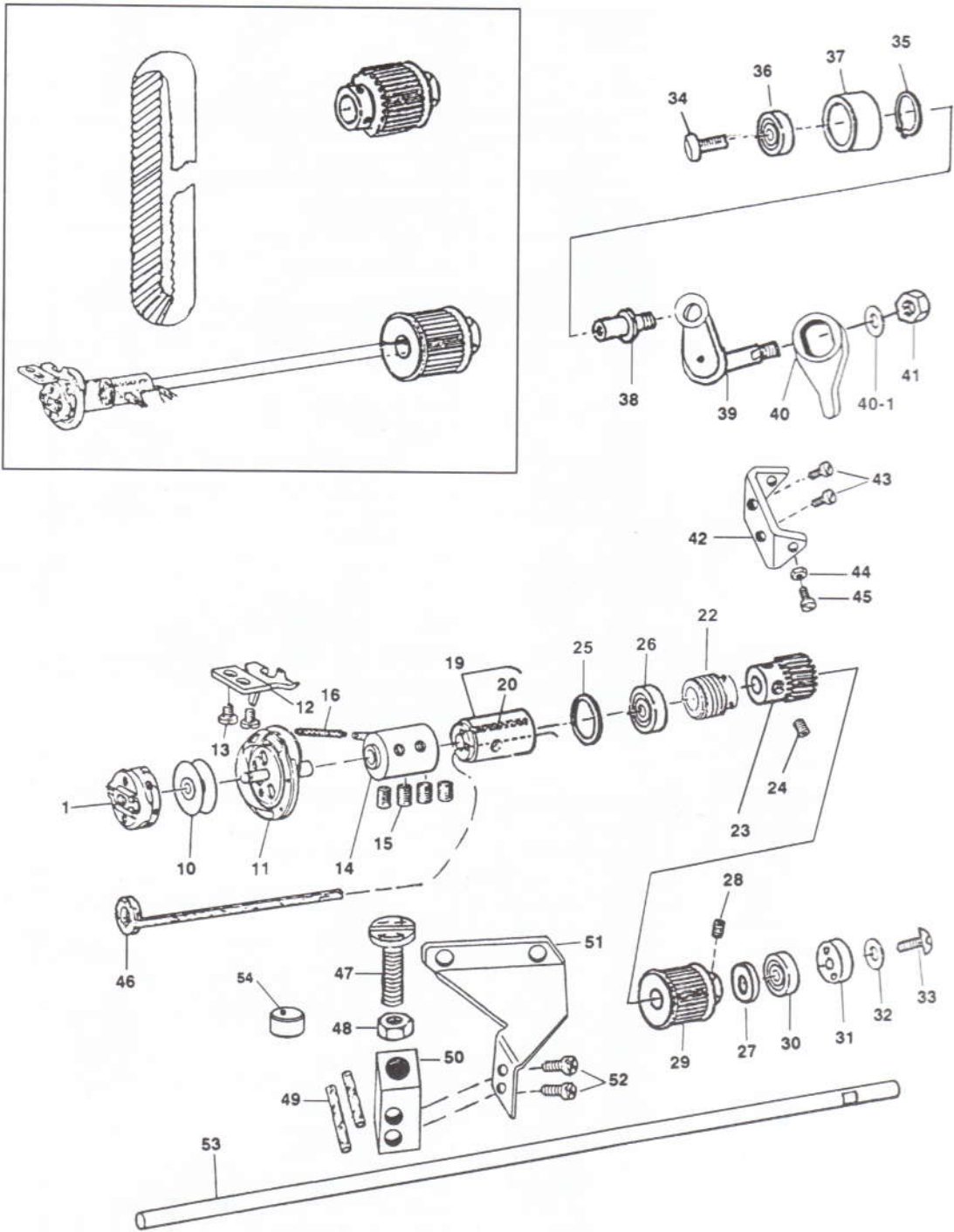
序号 NO	件号 Part NO.	名称	Description	数量 Amt. Req.
1	801010	机壳侧盖	FRAME SIDE COVER	1
2	801021	螺钉	SCREW	1
3	801031	螺钉	SCREW	1
4	801040	机头支承臂	MACHINE ARM SUPPORT ROD	1
5	801051	紧定螺钉	SCREW	1
6	801060	弹性圆柱销	PIN	1
7	801070	橡胶缓冲垫	RUBBER CUSHION	1
8	801080	侧盖板	SIDE COVER	1
9	801090	侧盖板衬垫	SIDE COVER GASKET	1
10	801101	螺钉	SCREW	7
11	801110	机壳侧盖	FRAME SIDE COVER	1
12	801121	螺钉	SCREW	2
13	801131	螺钉	SCREW	1
14	801140	缓冲垫	CUSHION	2
15	801150	机壳侧盖衬垫	FRAME SIDE COVER GASKET	2
16	-----			0
17	-----			0
18	-----			0
19	801190	挑线杆护照	THREAD TAKE-UP LEVER OIL GUARD	1
20	801201	螺钉	SCREW	2
21	801210	面板	FACE COVER COMPLETE	1
21-1	801211	面板塞	FACE COVER COMPLETE PLUG	1
21-2	-----	螺钉	SCREW	1
21-3	-----	垫片	SPACER	1
22	801220	面板衬垫	GASKET	1
23	-----			0
24	801241	螺钉	SCREW	4
25	801250	油封	OIL SEAL	2
27	801270	顶盖	TOP COVER	1
29	-----			0
30	-----			0
33	-----			0
34	801340	齿轮箱盖	GEAR CASE COVER	1
35	801350	弹簧垫	DISC SPRING	1
36	801361	铰链螺钉	HINGE SCREW	1
38	801380	手制动钩	HAND STOP LATCH	1
39	801391	螺钉	SCREW	2
40	801401	螺钉	SCREW	6
41	801411	球形螺钉	BALL SCREW	1
42	801420	螺母	NUT	1
43	801430	橡胶插塞	RUBBER PLUG	1
44	801440	后顶盖衬垫	TOP COVER GASKET, REAR	1
45	-----			0
46	-----			0
47	801470	停刀杆轴导向管	KNIFE STOP LEVER SHAFT GUIDE	1
48	801480	橡胶插塞	RUBBER PLUG	3
49	801490	侧盖板衬垫	SIDE COVER GASKET	1
50	801500	侧盖板	SIDE COVER	1
51	801510	螺钉	SCREW	7
52	801520	衬垫	GASKET	1
53	801530	侧盖	SIDE COVER	1
54	801540	螺钉	SCREW	4
55	801550	侧盖	SIDE COVER	1
56	801560	螺钉	SCREW	2
57	801570	推板	BED SLIDE	1
58	801581	螺钉	SCREW	1
59	801590	推板簧	BED SLIDE SPRING	1
60	801600	底板支承螺钉	BED SCREW STUD	2
61	-----			0
62	-----			0
63	-----			0
64	801640	油视窗	OIL SIGHT WINDOW	1
65	801650	油视窗垫片	OIL SIGHT WINDOW GASKET	1
67	801670	盲孔塞	RUBBER PLUG	5
68	801680	油毡	OIL FELT	2

2. 上轴关系 / MAIN SHAFT COMPONENTS



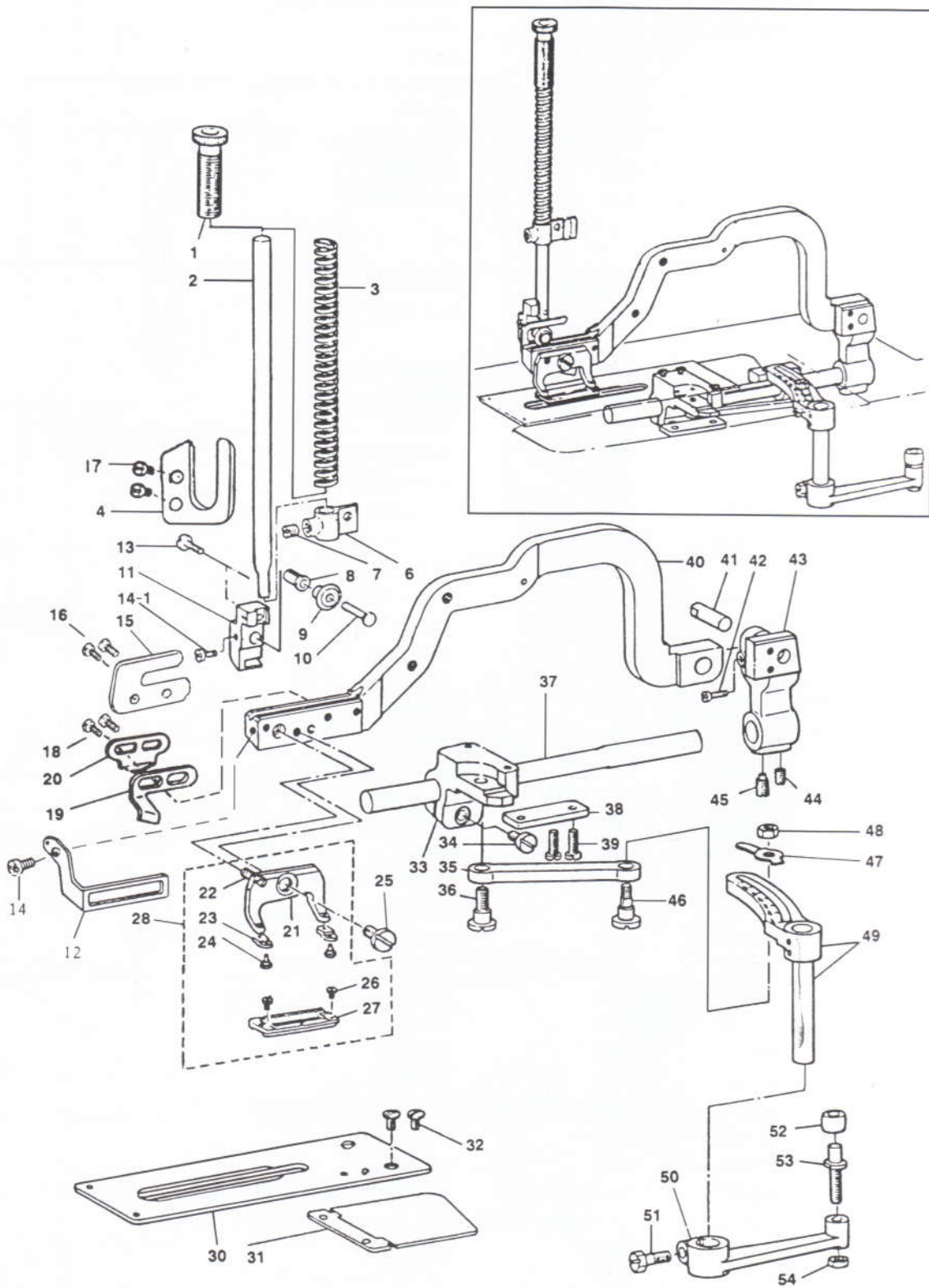
序号 NO	件号 Part NO.	名称	Description	数量 Amt. Req.
1	802010	铰链销	HINGE STUD	1
2	802021	螺钉	SCREW	1
3	802030	油芯	OIL WICK	1
4	-----			0
5	-----			0
6	802060	油芯环	OIL WICK SNAP RING	1
7	802070	乙稀管	VINYL TUBE	1
8	802080	上轴	MAIN SHAFT	1
9	802090	橡皮塞	RUBBER PLUG	1
10	802100	挑线连杆	THREAD TAKE-UP CONNECTING ROD	1
11	802110	挑线杆组件	THREAD TAKE-UP LEVER ASM.	1
12	802120	针杆曲柄	NEEDLE BAR CRANK	1
13	802130	针杆曲柄连杆	NEEDLE BAR CRANK CONNECTING ROD	1
14	802140	滚针轴承	NEEDLE BEARING	2
15	802151	左旋螺钉	END SCREW LEFT	1
16	802160	油毡	OIL FELT	1
17	802170	止推垫圈	THRUST WASHER	1
18	802181	螺钉	SCREW	1
19	802190	平行块	COUNTER WEIGHT	1
20	802201	螺钉	SCREW	2
21	802211	螺钉	SCREW	1
22	802211	螺钉	SCREW	1
23	802230	轴承	BALL BEARING	2
24	802240	轴套	BALL BEARING	2
25	802250	挡圈	THRUST COLLAR	1
26	802260	滚动轴承	ROLLER BEARING	1
27	802270	刀杆传动连杆	KNIFE BAR DRIVING CONNECTING ROD	1
28	802280	刀杆传动偏心凸轮	KNIFE BAR DRIVING ECCENTRIC CAM	1
29	802290	轴承	BALL BEARING	1
30	802301	螺钉	SCREW	8
30-1	-----	内六角螺钉	SCREW	2
31	-----			0
32	802321	螺钉	SCREW	2
33	802330	蜗杆	WORM	1
34	-----			0
35	802350	同步带轮组件	SHAFT SPROCKET	1
36	802360	同步带	TIMING BELT	1
37	802370	轴套	ADAPTER	1
38	-----			0
39	-----			0
40	802400	上轴后轴承壳体	MAIN SHAFT BUSHING	1
41	802411	螺钉	SCREW	4
42	802420	上轴后轴承座	BEARING RETAINER	1
43	802430	螺钉	ADAPTER	3
44	802440	球轴承	BALL BEARING	1
45	802450	挡圈	THRUST COLLAR	1
47	802470	空转带轮	LOOSE PULLEY	1
48	-----			0
49	802491	螺钉	SCREW	3
50	802500	主轴止推密封圈	MAIN SHAFT THRUST SEAL	1
51	802510	衬垫	GASKET	1
52	802520	垫圈	WASHER	2
53	802530	推力轴承	BEARING	1
54	802541	螺钉	SCREW	1
55	802551	螺钉	SCREW	1
56	802560	传动带轮	DRIVING PULLEY	1
57	802571	螺钉	SCREW	1
58	802580	止动凸轮压簧	STOP CAM PRESSURE SPRING	1
59	802590	止动凸轮滑块	STOP-MOTION CAM PIN SLIDE BLOCK	2
60	802600	电木扇形块	BAKELITE SEGMENT	1
61	802610	止动凸轮定位销	STOP-MOTION CAM POSITION PIN	1
62	802620	制动凸轮	STOP-MOTION CAM	1
63	802630	止动凸轮压板	STOP-MOTION CAM PRESSER PLATE	1
64	802641	螺钉	SCREW	3
65	802650	垫圈	WASHER	1

3. 下轴关系 / HOOK DRIVING SHAFT COMPONENTS



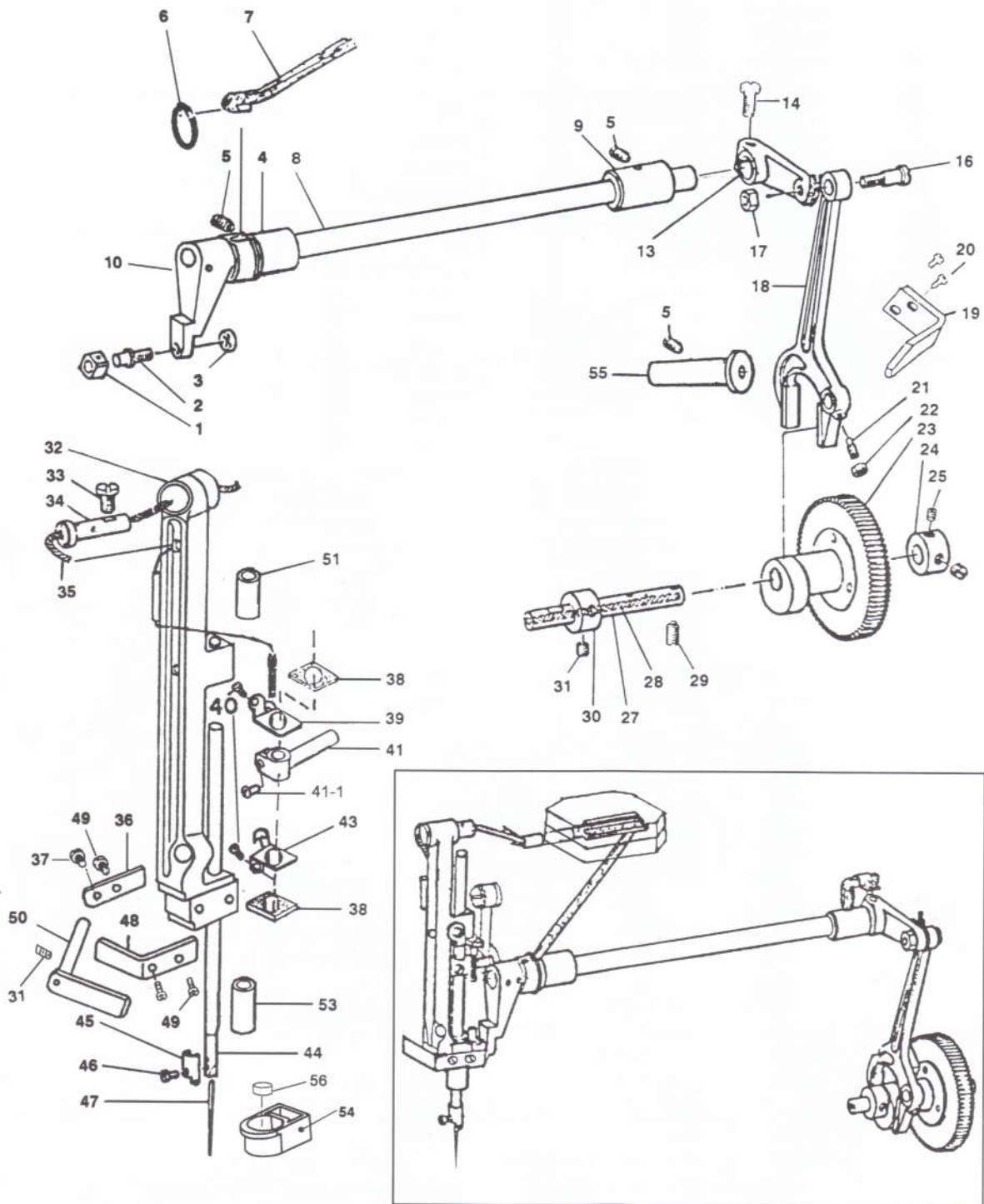
序号 NO	件号 Part NO.	名称	Description	数量 Amt. Req.
1	803010	梭壳组件	BOBBIN CASE ASM.	1
10	803100	梭子	BOBBIN	1
11	803110	旋梭套组件	HOOK C ASM.	1
12	803120	梭子定位板	BOBBIN CASE POSITIONING PLATE	1
13	803131	螺钉	SCREW	2
14	803140	旋梭轴套组件	HOOK SLEEVE ASM.	1
15	803151	螺钉	SCREW	4
16	803160	油芯	OIL WICK	1
17	-----			0
18	-----			0
19	803190	下轴前套管	BUSHING ASM	1
20	803200	油芯	OIL WICK	2
21	-----			0
22	803220	蜗杆	WORM LEVER	1
23	803230	小齿轮	PINION	1
24	803241	螺钉	SCREW	4
25	803251	挡圈	THRUST COLLAR	1
26	803260	球轴承	BALL BEARING	1
27	803270	挡圈	THRUST COLLAR	2
28	803281	螺钉	SCREW	2
29	803290	皮带链轮	BELT SPROCKET	1
30	803300	球轴承	BALL BEARING	1
31	803310	轴承固定挡圈	COLLAR	1
32	803320	垫圈	WASHER	1
33	803331	螺钉	SCREW	1
34	803341	螺钉	SCREW	1
35	803350	挡圈	THRUST COLLAR	1
36	803360	球轴承	BALL BEARING	1
37	803370	皮带张紧轮	TENSION PULLEY	1
38	803380	调整杠杆针	ADJUSTING LEVER PIN	1
39	803390	张紧轮连杆	TENSION PULLEY LINK	1
40	803400	调节配件	ADJUSTING GUIDE	1
40-1	-----	垫片	SPACER	1
41	803410	螺母	NUT	1
42	803420	调节杆座	ADJUSTING BASE	1
43	803431	螺钉	SCREW	2
44	803440	螺母	NUT	2
45	803451	螺钉	SCREW	2
46	803460	油毡	OIL FELT	1
47	803470	旋梭调节润滑螺钉	HOOK OIL ADJUSTING SCREW	1
48	803480	螺母	NUT	1
49	803490	油管	OIL TUBE	2
50	803500	调节润滑螺钉座	OIL ADJUSTING SCRWE BASE	1
51	803510	调节润滑螺钉座架	OIL ADJUSTING SCREW BRACKET	1
52	803521	螺钉	SCREW	2
53	803530	下轴	HOOK DRIVING SHAFT	1

4. 压脚棒、布送板关系 / PRESSER BAR. WORK CLAMP CARRIER COMPONENTS



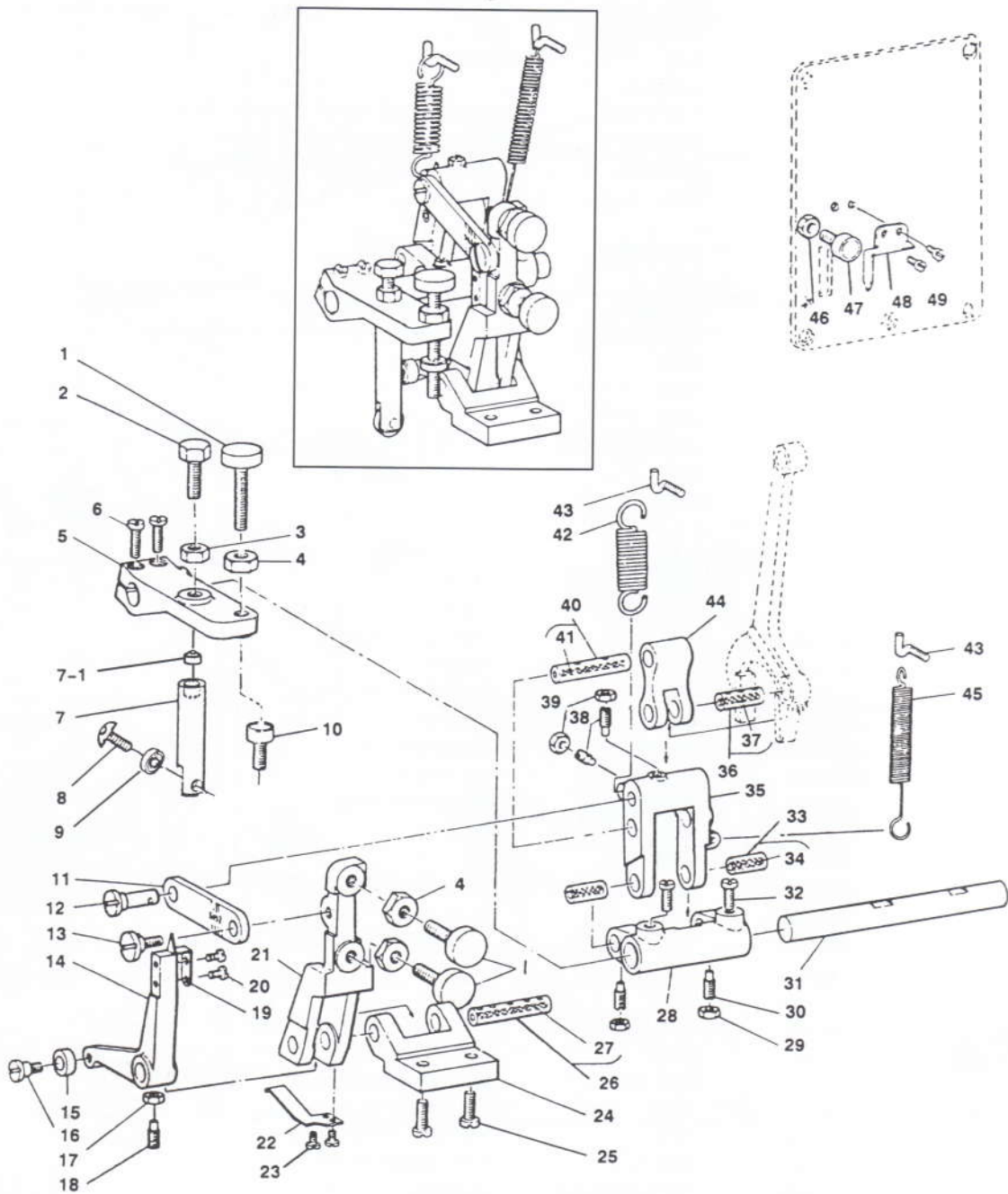
序号 NO	件号 Part NO.	名称	Description	数量 Amt. Req.
1	804010	压簧调节	PRESSER SPRING REGULATOR	1
2	804020	压棒	PRESSER BAR	1
3	804030	压簧	PRESSER SPRING	1
4	804040	导向支架	GUIDE BRACKET	1
5	-----			0
6	804060	压棒定位架	PRESSER BAR POSITION BRACKET	1
7	804071	螺钉	SCREW	1
8	804080	套管	COLLAR	1
9	804090	滑动滚轮	SLIDE ROLLER	1
10	804100	滑动滚轮销	CONNECTING PIN	1
11	804110	支架	BRACKET	1
12	804120	安全防护	SAFE DEFEND GUIDE	1
13	804131	压棒螺钉	SCREW	1
14	804141	螺钉	SCREW	1
14-1	-----	螺钉	SCREW	1
15	804150	导向支架	GUIDE BRACKET	1
16	804161	螺钉	SCREW	2
17	804171	螺钉	SCREW	2
18	804181	螺钉	SCREW	2
19	804190	面线剪断器导架	NEEDLETHREAD TRIMMER GUIDE	1
20	804200	面线剪断器导架	NEEDLETHREAD TRIMMER GUIDE	1
21	804210	压脚板座	WORK CLAMP CHECK HOLDER	1
22	804220	压脚板座弹簧销	WORK CLAMP CHECK HOLDER SPRING	1
23	804230	压脚弹簧板	WORK CLAMP CHECK SPRING	2
24	804240	压脚弹簧定位销	WORK CLAMP CHECK SPRING SET PIN	2
25	804251	铰链销螺钉	HINGE SCREW	1
26	804261	螺钉	SCREW	2
27	804270	压脚板	WORK CLAMP CHECK	1
28	804280	压脚板座组	WORK CLAMP CHECK HOLDER ASM.	1
29	-----			0
30	804300	送布拖板	STITCH PLATE	1
31	804310	支架盖板组件	BRACKET COVER	1
32	804321	螺钉	SCREW	2
33	804330	送料支架	WORK CLAMP ARM BRACKET ASM	1
34	804341	螺钉	SCREW	1
35	804350	送料支架连杆	WORK CLAMP CARRIER BRACKET PITMAN	1
36	804361	铰链销螺钉	HINGE SCREW	1
37	804370	压脚臂滑杆	WORK CLAMP ARM SLIDE ROD	1
38	804380	送布拖板支架导块	WORK CLAMP CARRIER BRACKET GUIDE	1
39	804391	螺钉	SCREW	2
40	804400	布料夹支架	WORK CLAMP BRACKET	1
41	804410	连接销	CONNECTION PIN	1
42	804421	螺钉	SCREW	1
43	804430	拖架	BEARING ARM	1
44	804441	螺钉	SCREW	1
45	804451	螺钉	SCREW	1
46	804461	调节送料长度铰链销螺钉	LENGTH REGULATING HINGE STUP	1
47	804470	调节送料长度轴导板	LENGTH REGULATING SHAFT GUIDE	1
48	804480	螺母	NUT	1
49	804490	调节送料长度刻度盘组件	LENGTH REGULATING SCALE ASM.	1
50	804500	曲柄	BELL CRANK	1
51	804511	螺钉	SCREW	1
52	804520	滚子	ROLLER	1
53	804530	曲柄滚子销	BELL CRANK ROLLER STUD	1
54	804540	螺母	NUT	1

5. 针棒摇动台关系 / NEEDLE BAR FRAME COMPONENTS



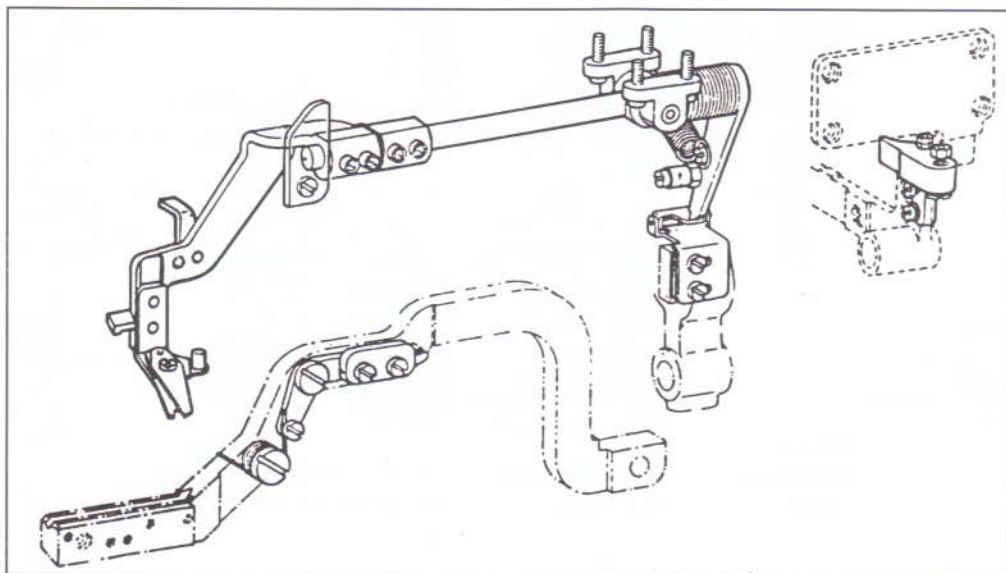
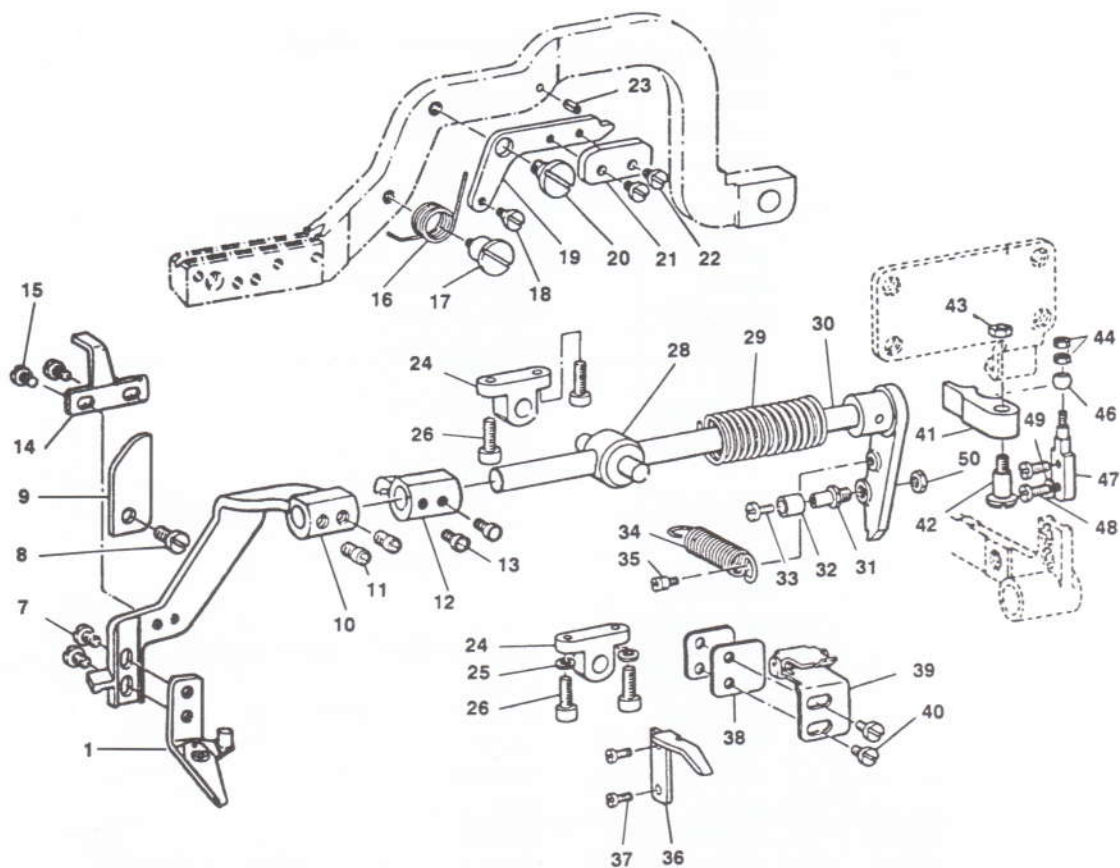
序号 NO	件号 Part NO.	名称	Description	数量 Amt. Req.
1	805010	针杆架滑块	NEEDLE BAR CONNECTION SLIDE BLOCK	1
2	805021	滑块销螺钉	STUD	1
3	805030	螺母	NUT	1
4	805040	摆杆前套管	FRAME ROCK SHAFT BUSHING FRONT	1
5	805051	螺钉	SCREW	6
6	805060	O型密封圈	RUBBER	1
7	805070	油芯	OIL WICK	1
8	805080	摆杆轴心		1
9	805090	摆杆后套管	FRAME ROCK SHAFT BUSHING REAR	1
10	805100	摆动曲柄	FRAME ROCK SHAFT CRANK	1
13	805130	摆杆后柄	FRAME ROCK SHAFT CRANK, FRONT	1
14	805141	螺钉	SCREW	1
15	-----			0
16	805161	铰链销螺钉	HINGE SCREW	1
17	805170	螺母	NUT	1
18	805180	针杆摇杆	NEEDLE BAR PITMAN	1
19	805190	摆杆连接导板	ROCK SHAFT CONNECTION GUIDE	1
20	805201	螺钉	SCREW	2
21	805211	螺钉	SCREW	1
22	805220	螺母	NUT	1
23	805230	机针传动齿轮组件	NEEDLE DRIVING GEAR	1
24	805240	挡圈	THRUST COLLAR	1
25	805251	螺钉	SCREW	2
26	-----			0
27	805270	凸轮轴心	CAM SHAFT	1
28	805280	油线	OIL WICK	1
29	805291	螺钉	SCREW	1
30	805300	挡圈	THRUST COLLAR	1
31	805311	螺钉	SCREW	1
32	805320	折杆架	NEEDLE BAR FRAME	1
33	805331	螺钉	SCREW	1
34	805340	铰链销	HINGE STUD	1
35	805350	油线	OIL WICK	1
36	805360	左固定片	RETAINER LEFT	1
37	-----	螺钉	SCREW	2
38	805380	毛毡	FELT	2
39	805390	油线高端固定板	OIL FELT RETAINER HIGH	1
40	805401	螺钉	SCREW	2
41	805410	针杆连接杆	NEEDLE BAR CONNECTION	1
41-1	-----	螺钉	SCREW	1
42	-----			0
43	805430	油线低端固定板	OIL FELT RETAINER LOWER	1
44	805440	针杆	NEEDLE BAR	1
45	805450	针杆导线架	NEEDLE BAR BOBBIN THREAD GUIDE	1
46	805461	螺钉	SCREW	1
47	805470	机针	NEEDLE DPx5	1
48	805480	右固定片	RETAINER RIGHT	1
49	805491	螺钉	SCREW	2
50	805500	固定导片	POSITION BRACKET	1
51	805510	针棒衬套管	NEEDLE BAR BUSHING	1
52	-----			0
53	805530	针棒衬套管	NEEDLE BAR BUSHING	1
54	805540	油毡架	OIL FELT RETAINER	1
55	805550	轴心	SHAFT	1
56	805560	油毡	OIL FELT	1

6. 针摆幅调节关系 / OVEREDGING WIDTH ADJUSTING COMPONENTS



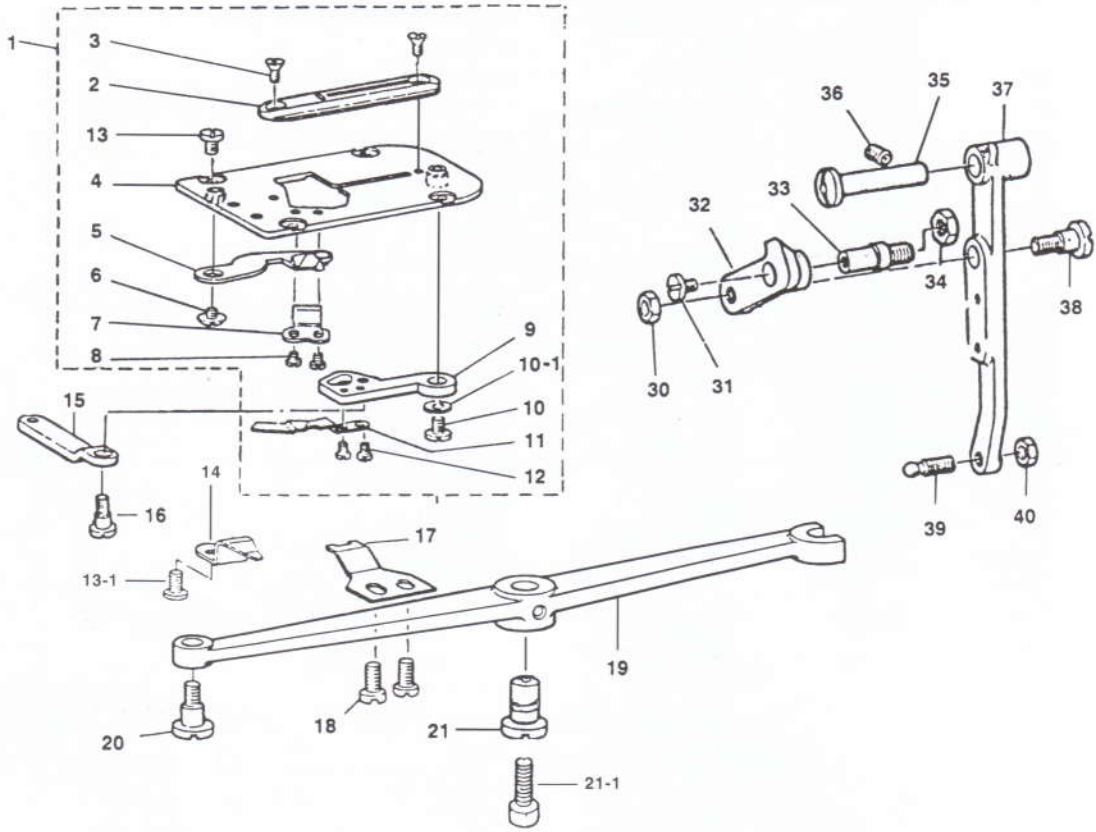
序号 NO	件号 Part NO.	名称	Description	数量 Amt.Req.
1	806011	线迹宽度调节螺钉	STITCH WIDTH REGULATING SCREW	3
2	806021	螺钉	SCREW	1
3	806031	螺母	NUT	1
4	806040	螺母	NUT	3
5	806050	复位杆	REPOSITIONING LEVER	1
6	806061	螺钉	SCREW	2
7	806070	离合杆	TRIPPING ROD	1
7-1	-----	止动橡皮	STOP RUBBER	1
8	806081	螺钉	SCREW	1
9	806090	滚轮	BALL BEARING	1
10	806101	调节杆螺钉	REGULATING LEVER STIOPPER	1
11	806110	调节杆连接板	REGULATING LEVER COBBECTION	1
12	806120	调节销	REGULATING HINGE PIN	1
13	806131	铰链销螺钉	HINGE SCREW	1
14	806140	指示曲柄	BELL CRANK	1
15	806150	滚轮	ROLLER	1
16	806161	铰链销螺钉	HINGE SCREW	1
17	806171	螺母	NUT	1
18	806181	螺钉	SCREW	1
19	806190	刻度指示针	BARRED WIDTH INDICATOR	1
20	806201	螺钉	SCREW	2
21	806210	调节杆叉	REGULATING LEVER	1
22	806220	弹簧板	SPRING	1
23	806231	螺钉	SCREW	2
24	806240	调节杆座	REGULATING LEVER BRACKET	1
25	806251	螺钉	SCREW	2
26	806260	调节杆轴	REGULATING LEVER SHAFT	1
27	806270	油绳	OIL WICK	1
28	806280	轴承座	BEARING BRACKET	1
29	806290	螺母	NUT	2
30	806301	紧定螺钉	SCREW	2
31	806310	针摆复位轴	NEEDLE THROW REPOSITIONING SHAFT	1
32	806321	螺钉	SCREW	2
33	806330	连接销	BEARING BRACKET	2
34	806340	油绳	OIL WICK	2
35	806350	叉形连杆	REPOSITIONING LEVER LINK	1
36	806360	连接销	CONNECTING FORKED LINK PIN	1
37	806370	油绳	OIL WICK	1
38	806380	螺钉	SCREW	2
39	806390	螺母	NUT	2
40	806400	连接销	CONNECTING STUD	1
41	806410	油绳	OIL WICK	1
42	806420	拉簧	SPRING	1
43	806431	悬挂螺钉	SUSPENSION SCREW	2
44	806440	叉形连杆	CONNECTING FORKED LINK	1
45	806450	拉簧	SPRING	1
46	806460	螺母	NUT	1
47	806471	调节杆限位螺钉	REGULATING LEVER STOPPER	1
48	806480	缝宽指示针	SEAM WIDTH INDICATOR	1
49	806491	螺钉	SCREW	2

7. 上线切刀关系 / NEEDLE THREAD TRIMMER COMPONENTS



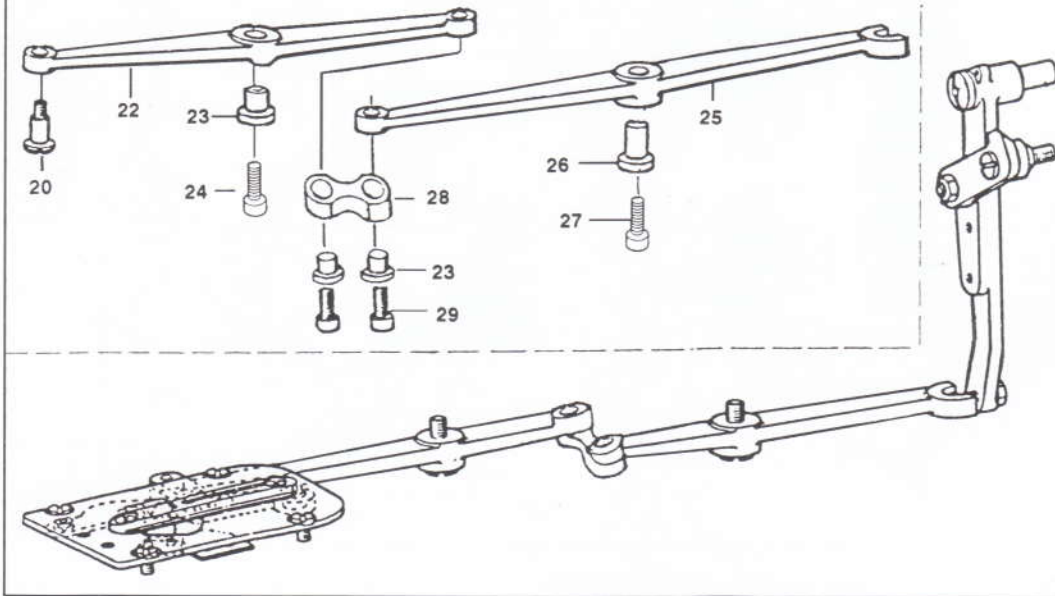
序号 NO	件号 Part NO.	名称	Description	数量 Amt.Req.
1	807010	面线修整器组件	NEEDLE THREAD TRIMMER ASM.	1
7	807071	螺钉	SCREW	2
8	807081	螺钉	SCREW	1
9	807090	剪面线器轴导板	NEEDLE THREAD TRIMMER SHAFT GUIDE	1
10	807100	保持架组件	THREAD TRIMMER HOLDER	1
11	807111	螺钉	SCREW	2
12	807120	剪面线保持架组件	THREAD TRIMMER HOLDER	1
13	807130	螺钉	SCREW	2
14	807140	限位板	LIMITING PLATE	1
15	807151	螺钉	SCREW	2
16	807160	转矩弹簧	DRIVING CAM SPRING	1
17	807170	传动凸轮转矩弹簧轴	DRIVING CAM SPRING AXLE	1
18	807181	铰链销螺钉	HINGE SCREW	1
19	807190	传动凸轮安装板	DRIVING CAM INSTALLING PLATE	1
20	807201	铰链销螺钉	HINGE SCREW	1
21	807210	传动凸轮板	DRIVING CAM	1
22	807221	螺钉	SCREW	2
23	807230	弹性圆柱销	SPRING PIN	1
24	807240	支架	BRACKET	2
25	-----			0
26	807261	螺钉	SCREW	4
28	807280	万向接头	UNIVERSAL JOINT	1
29	807270	弹簧	SPRING	1
30	807300	剪面线器轴组件	NEEDLE THREAD TRIMMER SHAFT	1
31	807310	滚轮销	STUD	1
32	807320	滚子	CAM ROLL	1
33	807331	螺钉	SCREW	1
34	807340	弹簧	SPRING	1
35	807351	悬挂螺钉	SUSPENSION SCREW	1
36	807360	压脚臂锁门	LATCH PRESSER ARM	1
37	807371	螺钉	SCREW	2
38	807380	垫片	SPACER	2
39	807390	锁架组件	LOCKING BRACKET LATCH	1
40	807401	螺钉	SCREW	2
41	807410	剪线轴顶块	THREAD TRIMMING SHAFT SEGMENT	1
42	807421	铰链销螺钉	HINGE SCREW	1
43	807430	螺母	NUT	1
44	807440	螺母	NUT	2
45	-----			0
46	807460	滚柱	ROLLER	1
47	807470	嵌件	STUD	1
48	807481	螺钉	SCREW	2
49	807490	垫圈	WASHER	1
50	807500	螺母	NUT	1

8. 下线切刀关系 / BOBBIN THREAD TRIMMER COMPONENTS



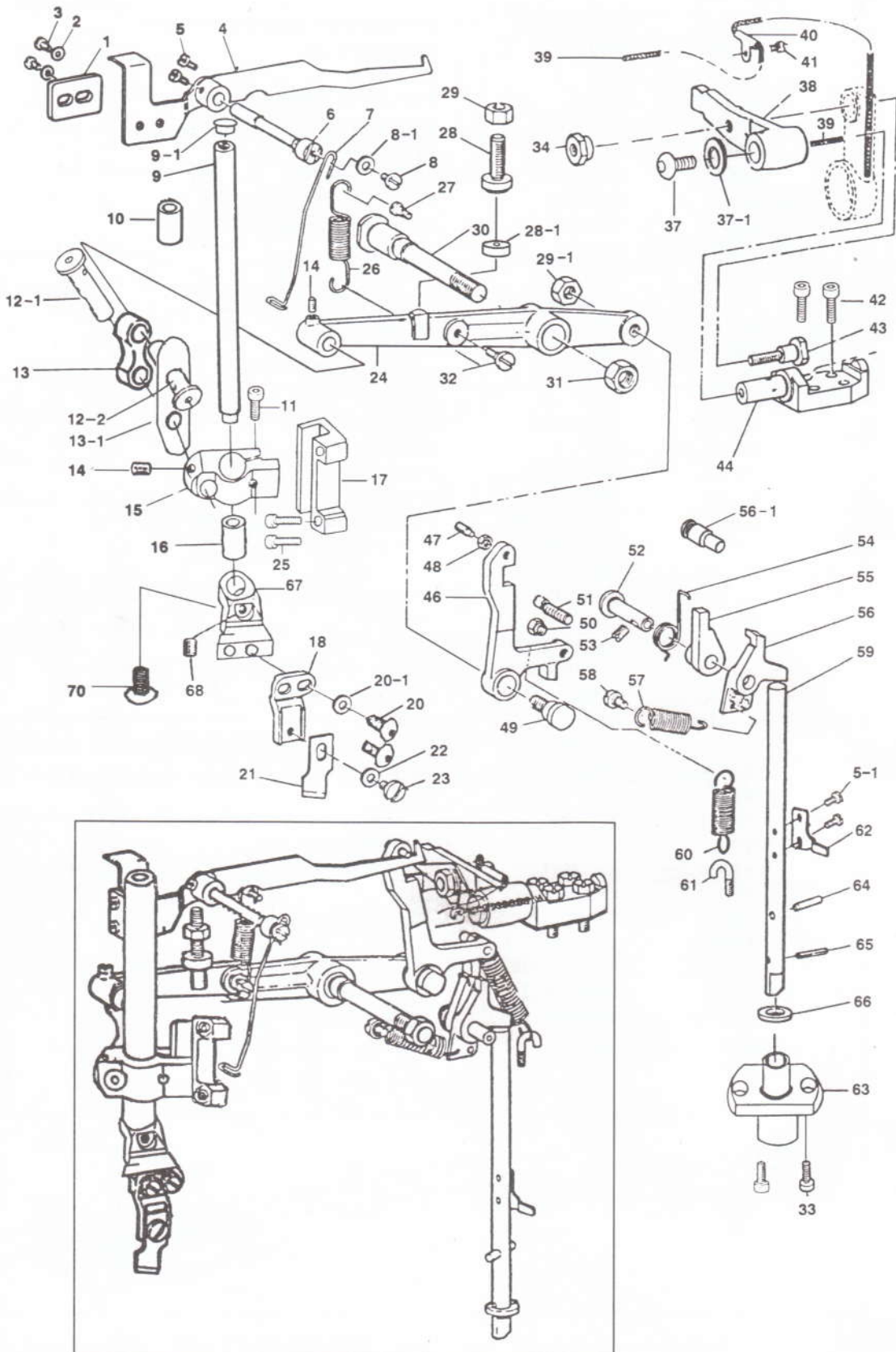
890 专用零件(筒状机台)

EXCLUSIVE PARTS FOR 890 (CYLINDER BED MACHINE)



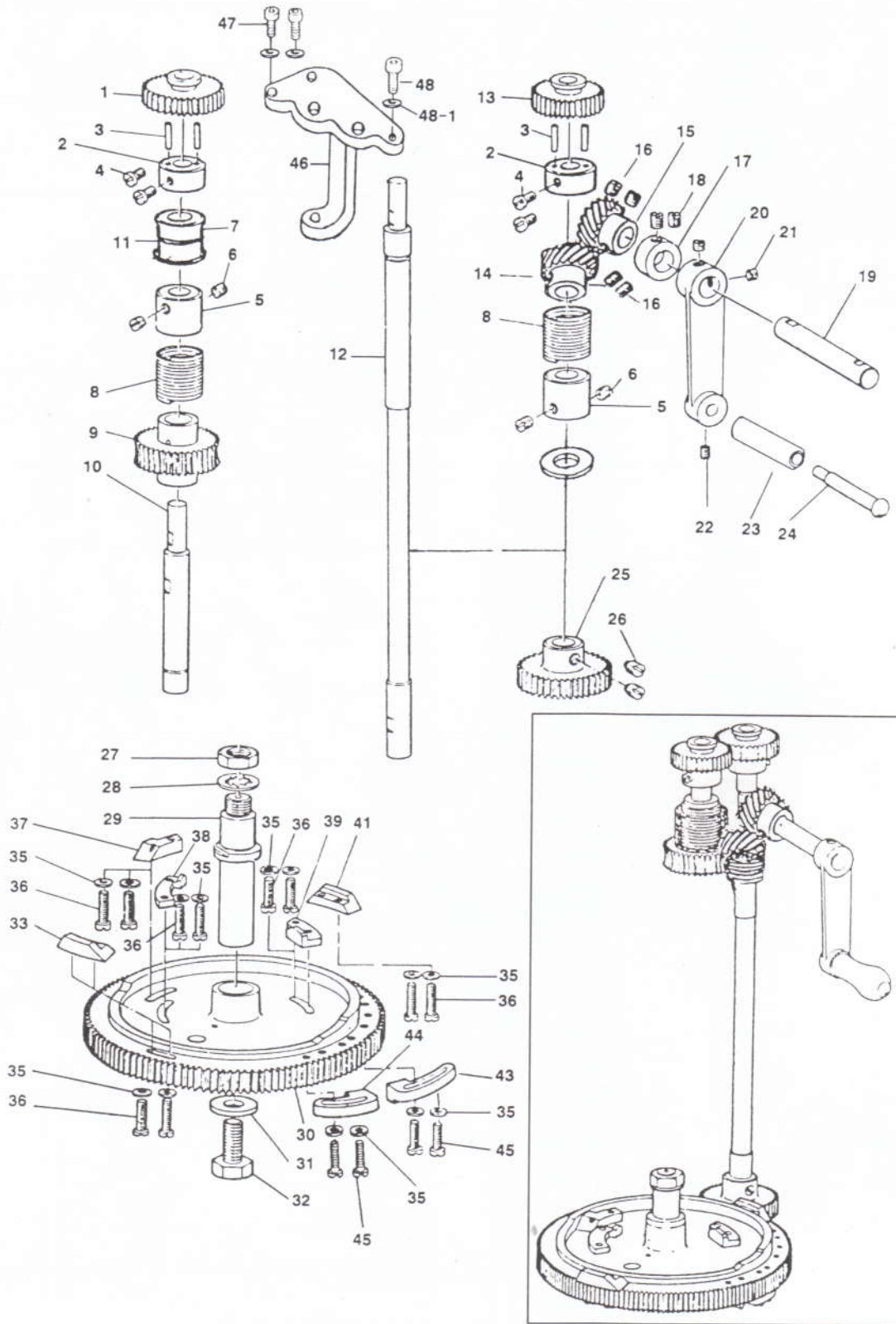
序号 NO	件号 Part NO.	名称	Description	数量 Amt. Req.
1	808010	剪底线器组件	BOBBIN THREAD TRIMMER ASM.	1
2	808020	针板	NEEDLE PLATE	1
3	808031	螺钉	SCREW	2
4	808040	针板座	THROAT PLATE BASE	1
5	808050	剪底线动刀	BOBBIN THREAD TRIMMER	1
6	808061	螺钉	SCREW	1
7	808070	剪底线定刀	COUNTER KNIFE	1
8	808081	定刀螺钉	SCREW	2
9	808090	剪底线杆	BOBBIN THREAD TRIMMER LEVER	1
10	808101	螺钉	SCREW	1
10-1	808100	垫圈	WASHER	1
11	808110	底线拉杆	BOBBIN THREAD PULLER	1
12	808121	螺钉	SCREW	2
13	808131	螺钉	SCREW	4
13-1	-----	螺钉	SCREW	1
14	808140	压板	PRESSER PLATE	1
15	808150	剪底线连杆	BOBBIN THREAD TRIMMER LINK	1
16	808161	螺钉	SCREW	1
17	808170	梭芯导线架	BOBBIN THREAD GUIDE	1
18	808181	螺钉	SCREW	2
19	808190	剪底线传动杆	BOBBIN THREAD TRIMMER DRIVING LEVER	1
20	808201	铰链销螺钉	HINGE SCREW	1
21	808211	套筒	SLEEVE	1
22	808220	剪底线传动杆	BOBBIN THREAD TRIMMER DRIVING LEVER	1
23	808230	套筒	SLEEVE	3
24	808241	铰链销螺钉杆套筒	HINGE SCREW	1
25	808250	剪底线传动杆	BOBBIN THREAD TRIMMER DRIVING LEVER	1
26	808260	套筒	SLEEVE	1
27	808271	螺钉	SCREW	1
28	808280	剪底线传动杆连接	DRIVING LEVER CONNECTION	1
29	808291	螺钉	SCREW	2
30	808300	螺母	NUT	1
31	808311	螺钉销	SCREW	1
32	808320	凸轮连杆	CONNECTING LINK	1
33	808331	限位螺钉	STOP SCREW	1
34	808340	螺母	NUT	1
35	808350	铰链销	HING STUD	1
36	808361	紧定螺钉	SCREW	1
37	808370	剪底线器传动臂	BOBBIN THREAD TRIMMER DRIVING ARM	1
38	808381	铰链销螺钉	HINGE SCREW	1
39	808391	球形螺钉	BALL SCREW	1
40	808401	螺母	NUT	1

9. 刀棒关系 / KNIFE BAR COMPONENTS



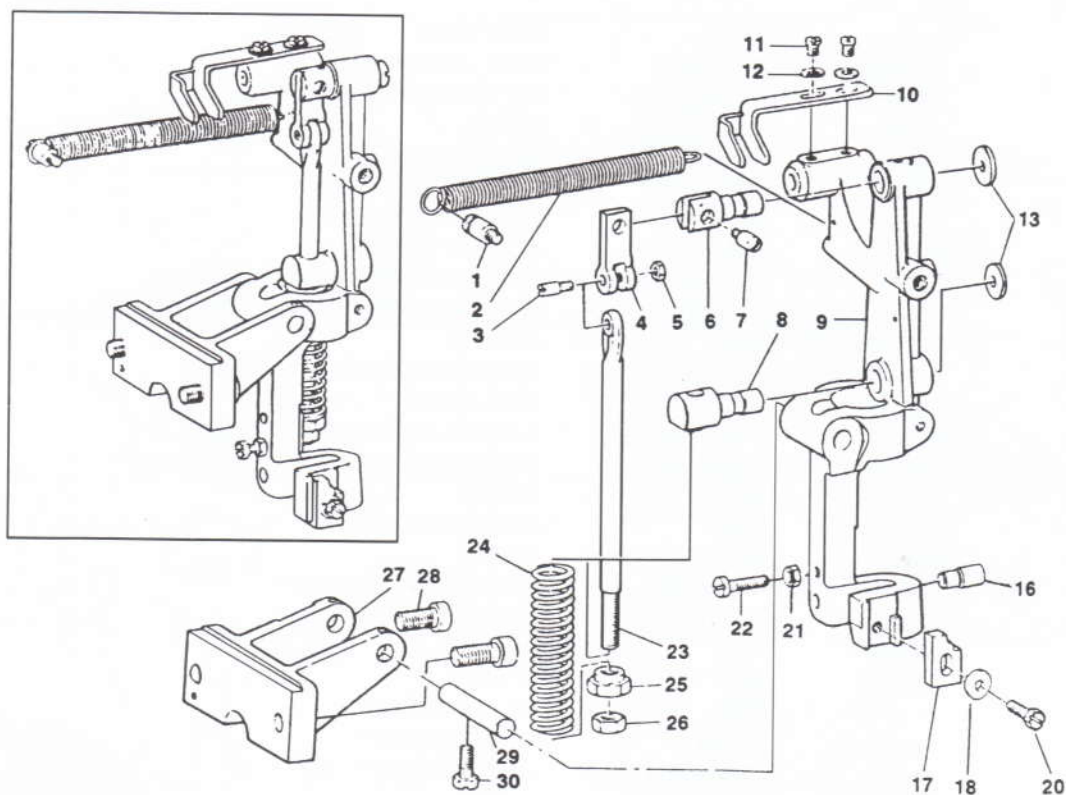
序号 NO	件号 Part NO.	名称	Description	数量 Amt. Req.
1	809010	停刀杆架	KNIFE STOP LEVER BRACKET	1
2	809020	垫圈	WASHER	2
3	809031	螺钉	SCREW	2
4	809040	停刀杆	KNIFE STOP LEVER	1
5	809051	螺钉	SCREW	2
5-1	-----	螺钉	SCREW	2
6	809060	停刀杆铰链销	KNIFE STOP LEVER HINGE STUD	1
7	809070	线检测钢丝	THREAD CHECK WIRE	1
8	809081	螺钉	SCREW	1
8-1	-----	垫片	SPACER	1
9	809090	刀杆	KNIFE BAR	1
9-1	809091	橡皮塞	RUBBER PLUG	1
10	809100	刀杆导板	KNIFE BAR BUSHUNG	1
11	809111	螺钉	SCREW	1
12-1	809120	连杆针	CONNECTING LINK PIN	1
12-2	809121	连杆针	CONNECTING LINK PIN	1
13	809130	刀杆连杆	KNIFE BAR CONNECTING LINK	1
13-1	809131	垫片	SPACER	1
14	809141	螺钉	SCREW	2
15	809150	刀杆定位架	KNIFE BAR POSITION BRACKET	1
16	809160	套管	KNIFE BAR BUSHING	1
17	809170	刀杆导引	KNIFE BAR GUIDE	1
18	809180	刀固定架	KNIFE HOLDER	1
19	-----			0
20	809201	螺钉	SCREW	2
20-1	809200	垫圈	WASGER	2
21	809210	1/2"L刀	KNIFE 1/2"	1
22	809220	垫圈	WASHER	3
23	809231	螺钉	SCREW	1
24	809240	刀杆传动杆	KNIFE BAR DRIVING LEVER	1
25	809251	螺钉	SCREW	2
26	809260	弹簧	SPRING	1
27	809271	铰链销螺钉	HINGE SCREW	1
28	809281	调节螺钉	ADJUSTING SCREW	1
28-1	809282	止动垫	SPACER	1
29	809290	螺母	NUT	1
29-1	809291	螺母	NUT	1
30	809300	刀杆传动杆轴	KNIFE BAR DRIVING LEVER SHAFT	1
31	809210	螺母	NUT	1
32	809321	铰链销螺钉	HINGE SCREW	1
33	809330	螺丝	SCREW	2
34	809340	刀杆传动杆螺母	KNIFE BAR DRIVING CRANK NUT	1
37	809371	螺钉	SCREW	1
37-1	-----	垫片	SPACER	1
38	809380	刀杆传动杆曲柄	KNIFE BAR DRIVING CRANK	1
39	809390	油芯	OIL WICK	1
40	809400	油芯保持架	OIL WICK HOLDER	1
41	809411	螺钉	SCREW	1
42	809421	螺钉	SCREW	2
43	809431	铰链销螺钉	HINGE SCREW	1
44	809440	刀杆传动曲柄轴	KNIFE BAR DRIVING CRANK SHAFT	1
46	809460	刀杆传动杆	KNIFE BAR DRIVING LEVER BELL CRANK	1
47	809471	螺钉	SCREW	1
48	809480	螺母	NUT	1
49	809491	铰链销螺钉	HINGE SCREW	1
50	809500	螺母	NUT	1
51	809510	偏心销	PIN	1
52	809520	铰链销	HINGE STUD	1
53	809531	螺钉	SCREW	1
54	809540	转矩扭簧	TENION SPRING	1
55	809550	棘轮爪(B)	RATCHET PAWL(B)	1
56	809560	棘轮爪(A)	RATCHET PAWL (A)	1
56-1	-----	弹簧悬置螺钉	SCREW	1
57	809570	拉簧	TENSION SPRING	1
58	809581	铰链销螺钉	HINGE SCREW	1
59	809590	传动杆	DRIVING ROD	1
60	809600	拉簧	TENSION SPRING	1
61	809611	悬挂螺钉	SUAPENSION SCREW	1
62	809620	指形板	FINGER	1
63	809631	传动杆定位架	DRIVING ROD POSITION BRACKET	1
64	809640	圆柱销	POSITIONING PIN	1
65	809650	弹簧圆柱销	SPRING PIN	1
66	809660	止推垫圈	THRUST WASHER	1
67	809670	刀座固定架	KNIFE HOLDER POSITION BRACKET	1
68	809681	螺钉	SCREW	1
69	-----			0
70	809701	螺钉	SCREW	1

10. 送布凸轮关系 / FEED CAM & TRIPPING SEGMENT COMPONENTS



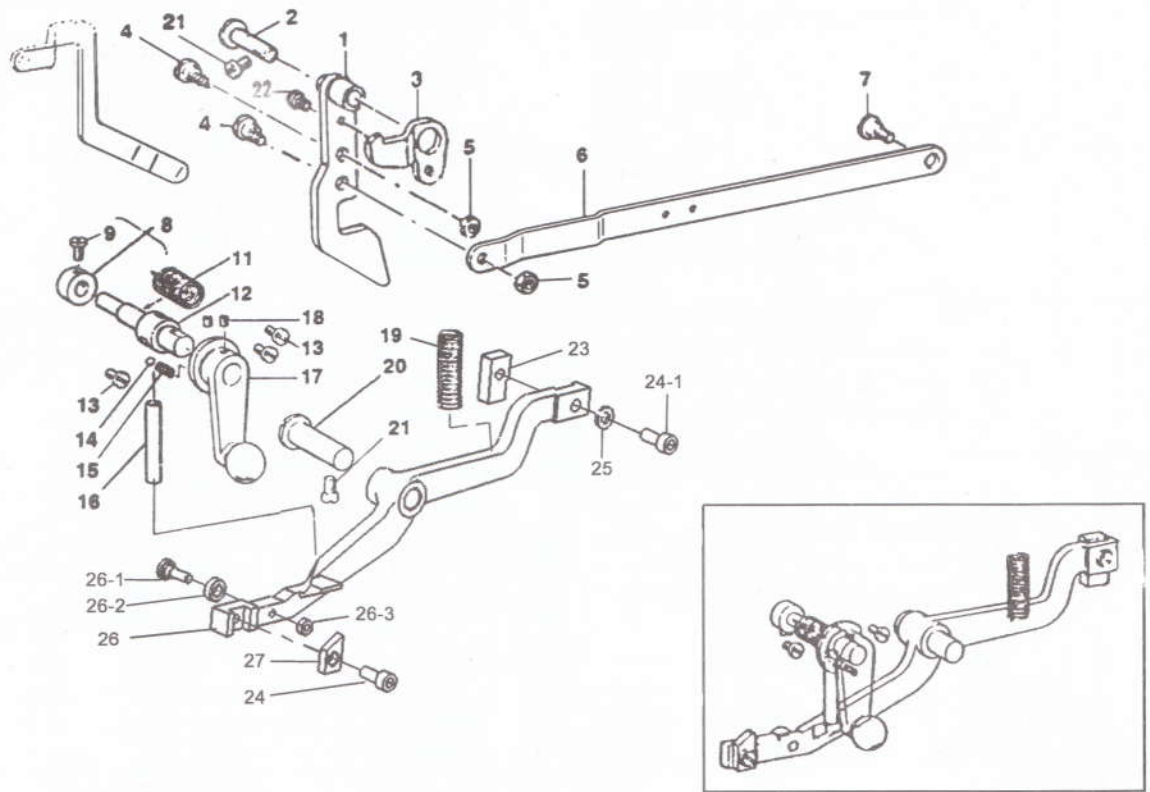
序号 NO	件号 Part NO.	名称	Description	数量 Amt. Req.
1	810010	直齿轮	SPUR GEAR	1
2	810020	直齿轮轴套	SPUR GEAR BUSHING	2
3	810030	直齿轮定位销	SPUR GEAR BUSHINGPIN	4
4	810041	螺钉	SCREW	4
5	810050	离合环	CLUTCH COLLAR	2
6	810061	螺钉	SCREW	4
7	810070	固定套管	POSITION BUSHING	1
8	810080	离合弹簧	CLUTCH SPRING	2
9	810090	送布凸轮传动蜗轮	FEED CAM DRIVING WORM WHEEL	1
10	810100	传动蜗轮轴	FEED CAM DRIVING WORM WHEEL SHAFT	1
11	810110	油毡	COLLAR	1
12	810120	送布凸轮传动蜗轮	FEED CAM DRIVING SHAFT	1
13	810130	直齿轮	SPUR GEAR	1
14	810140	手摇曲柄左齿轮	HANDLE CRANK BEVEL GEAR, LEFT	1
15	810150	手摇曲柄右齿轮	HANDLE CRANK BEVEL GEAR, RIGHT	1
16	810161	螺钉	SCREW	2
17	810170	挡圈	THRUST COLLAR	1
18	810181	螺钉	SCREW	2
19	810190	手摇曲柄轴	HANDLE CRANK SHAFT	1
20	810200	手摇曲柄	HANDLE CRANK	1
21	810211	螺钉	SCREW	2
22	810221	螺钉	SCREW	1
23	810230	手柄	HANDLE SHAFT	1
24	810240	手柄轴	HANDLE SHAFT	1
25	810250	送布凸轮传动蜗轮	FEED CAM DRIVING GEAR	1
26	810261	螺钉	SCREW	2
27	810270	螺母	NUT	1
28	810280	止推垫圈	THRUST WASHER	1
29	810290	送布凸轮轴	FEED CAM SHAFT	1
30	810300	送布凸轮	FEED CAM	1
31	810310	垫圈	WASHER	1
32	810321	螺钉	SCREW	1
33	810330	加固离合块	BAR TRIPPING SEGMENT	1
34	-----			0
35	810350	垫圈	WASHER	10
36	810361	螺钉	SCREW	6
37	810370	切刀离合块	KNIFE TRIPPING SEGMENT	1
38	810380	松线离合块	TENSION RELEASE TRIPPING SEGMENT	1
39	810390	松线离合块	TENSION RELEASE TRIPPING SEGMENT	1
40	-----			0
41	810410	加固离合块	BAR TRIPPING SEGMENT	1
42	-----			0
43	810430	低速凸轮块	LOW SPEED CAM	1
44	810440	止动凸轮块	STOPPER CAM	1
45	810451	螺钉	SCREW	8
46	810460	齿轮定位架	GEAR POSITION BRACKET	1
47	810470	螺钉	SCREW	2
48	810481	螺丝	SCREW	1
48-1	-----	垫片	SPACER	3

11. 遮断装置关系 / STOP-MOTION COMPONENTS



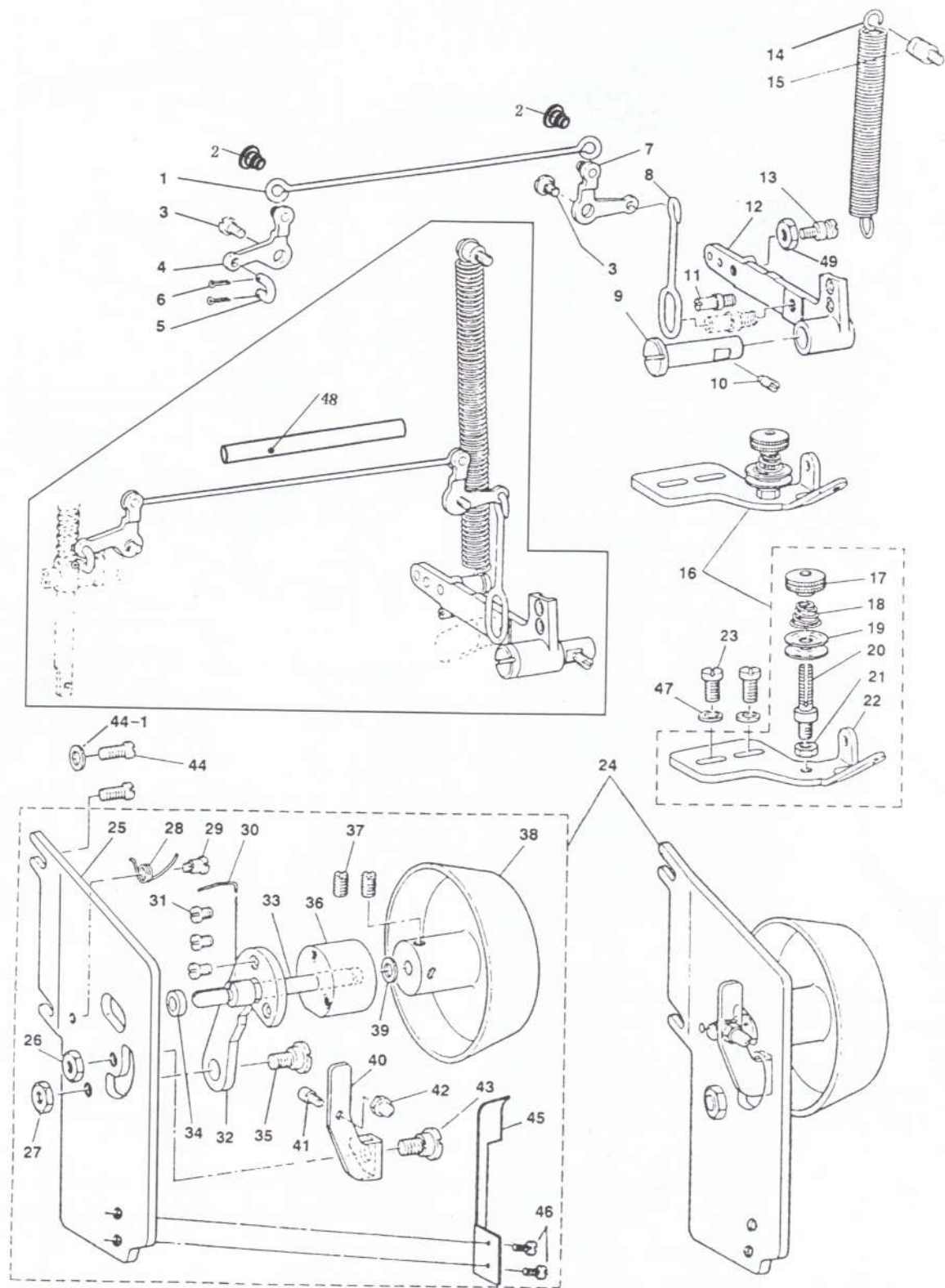
序号 NO	件号 Part NO.	名称	Description	数量 Amt. Req.
1	811010	吊簧螺钉	SUSPENSION SCREW	1
2	811020	拉簧	TENSION SPRING	1
3	811031	止动连杆铰链销螺钉	STOP LINK ROD HINGE SCREW	1
4	811040	止动铰接板	STOP LINK	1
5	811050	螺母	NUT	1
6	811060	止动连杆接头	STOP LINK HINGE STUD	1
7	811071	止动铰接板连接螺钉	STOP LINK CONNECTING SCREW	1
8	811080	止动连杆接头	STOP LINK ROD HINGE STUD	1
9	811090	止动杠杆	STOP MOTION LEVER	1
10	811100	皮带拨叉	BELT SHIFTER	1
11	811111	螺钉	SCREW	2
12	811120	垫圈	WASHER	2
13	811130	挡圈	THRUST COLLAR	2
14	-----			0
15	-----			0
16	811160	限位销	STOP PIN	1
17	811170	锁定板	LATCH	1
18	811180	弹簧垫片	SPRING SPACER	1
19	-----			0
20	811201	螺钉	SCREW	1
21	811210	螺母	NUT	1
22	811221	螺钉	SCREW	1
23	811230	止动连杆	STOP LINK ROD	1
24	811240	止动杆压簧	STOP LINK ROD PRESSURE SPRING	1
25	811250	止动连杆螺母	NUT FOR STOPMLINK ROD	1
26	811260	螺母	NUT	1
27	811270	止动杠杆座	STOP MOTION LEVER BRACKET	1
28	811281	圆柱头内六角螺钉	SCREW	2
29	811290	销	PIN	1
30	811301	螺钉	SCREW	1

12. 手动停止关系 / TRIPPING LEVER COMPONENTS



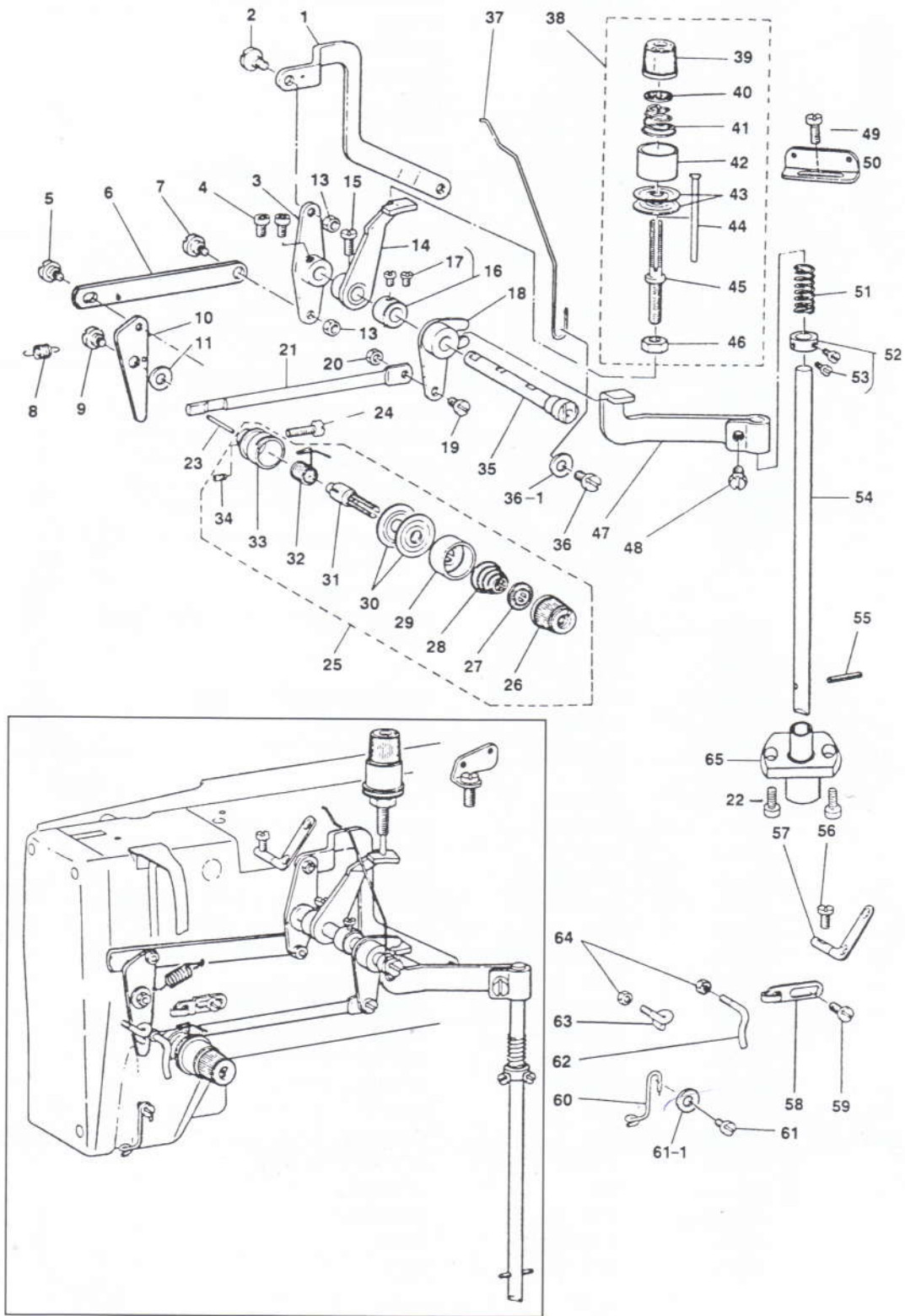
序号 NO	件号 Part NO.	名称	Description	数量 Amt.Req.
1	812010	起动架	STARTING LINK	1
2	812020	铰链销	HINGE STUD	1
3	812030	安全底	SAFETY BASE	1
4	812041	偏心铰链销螺钉	HINGE SCREW	2
5	812050	螺母	NUT	2
6	812060	起动架拉杆	STARTING LINK DRIVING ROD	1
7	812071	铰链销螺钉	HINGE SCREW	1
8	812080	下轴后轴承挡圈	THRUST COLLAR	1
9	812091	螺钉	SCREW	1
10	-----			0
11	812110	曲轴转矩弹簧	CRANK SHAFT TENSION SPRING	1
12	812120	手制动曲柄轴	HAND STOP CRANK SHAFT	1
13	812131	螺钉	SCREW	2
14	812140	钢球	BALL	1
15	812150	曲柄压簧	CRANK SHAFT PRESSURE SPRING	1
16	812160	手制动轴	HAND STOP ROD	1
17	812170	手柄	HAND STOP CRANK	1
18	812181	螺钉	SCREW	2
19	812190	运转脱离杆压簧	TRIPPING LEVER TENSION SPRING	1
20	812200	运转脱离杆铰链销	TRIPPING LEVER HINGE PIN	1
21	812211	螺钉	SCREW	1
22	812221	螺钉	SCREW	1
23	812230	锁定板	LATCH	1
24	812241	螺钉	SCREW	1
24-1	-----	螺钉	SCREW	1
25	812250	轻型弹簧垫圈	SPRING WASHER	1
26	40201031	运转脱离杆	TRIPPING LEVER	1
26-1	402S20035	轴位螺钉	SCREW	1
26-2	40209030	滚子	CAM ROLL	1
26-3	402S16023	螺母	NUT	1
27	812270	脱离爪	TRIPPING DOG	1
28	-----			0
29	-----			0
30	-----			0

13. 压脚提升架、绕线器组 / LIFTING LEVER & BOBBIN WINDER COMPONENTS



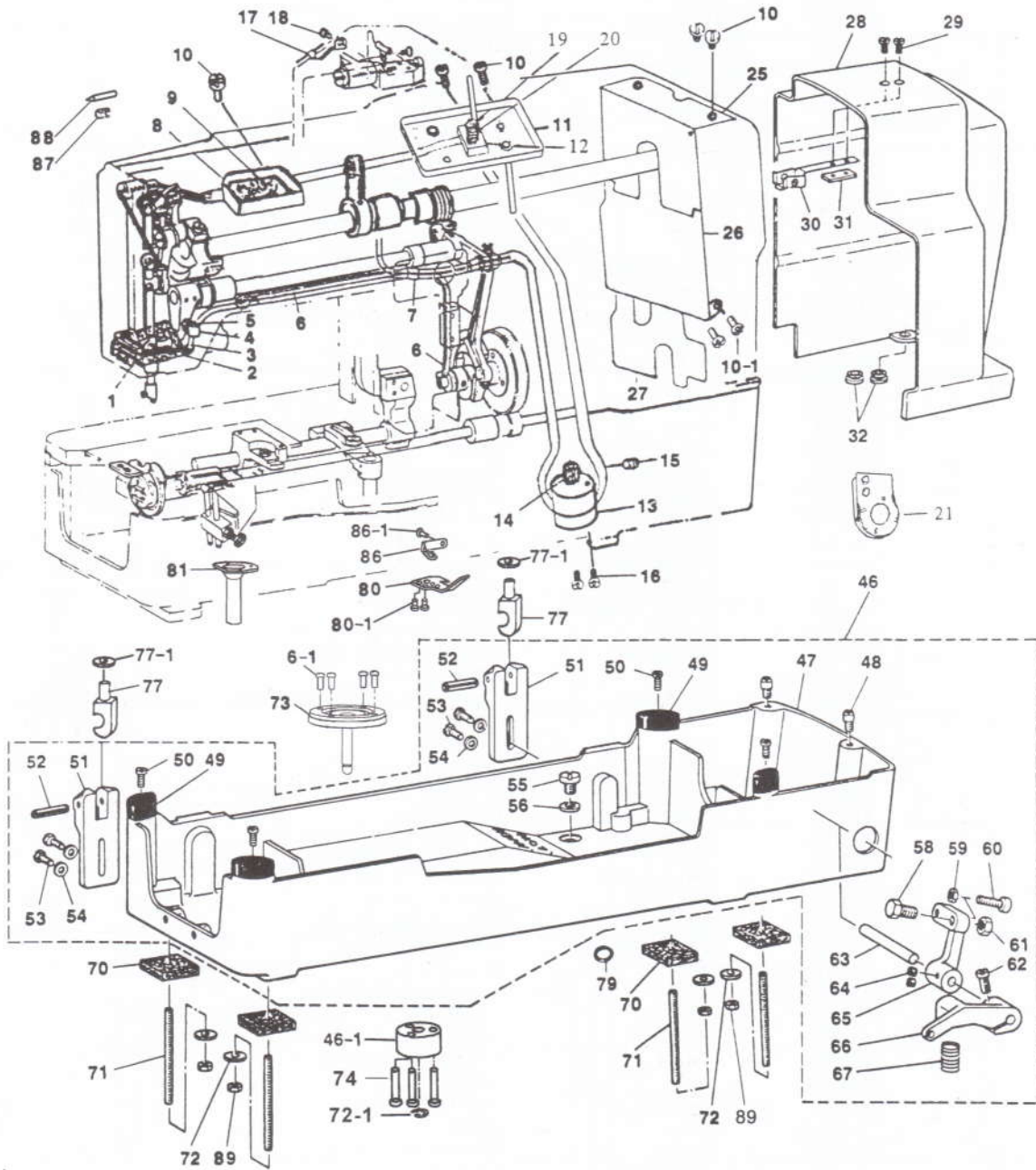
序号 NO	件号 Part NO.	名称	Description	数量 Amt.Req.
1	813010	压棒提升长拉杆	PRESSER BAR LIFTING ROD, LONG	1
2	813020	螺钉	SCREW	2
3	813031	铰链销螺钉	HINGE SCREW	2
4	813040	前部杠杆	LEVER, FRONT	1
5	813050	链环	LINK	1
6	813060	开口销	SPLIT PIN	2
7	813070	后部杠杆	LEVER, REAR	1
8	813080	压棒提升拉杆	PRESSER BAR LIFTING ROD	1
9	813090	离合杆铰链销	TRIPPING LEVER HINGE PIN	1
10	813101	螺钉	SCREW	1
11	813110	提升杆限位螺钉	LIFTING LEVER STOPPER	1
12	813120	压棒提升杆	PRESSER BAR LIFTING LEVER	1
13	813131	悬挂螺钉	SUSPENSION SCREW	1
14	813140	压脚提升弹簧	PRESSER FOOT LIFTING SPRING	1
15	813151	吊簧螺钉	SUSPENSION SCREW	1
16	813160	绕线器过线组件	BOBBIN WINDER TENSION ASM.	1
17	813170	第一夹线螺母	BOBBIN WINDER TENSION NUT	1
18	813180	绕梭心线夹线弹簧	BOBBIN WINDER TENSION SPRING	1
19	813190	夹线盘	BOBBIN WINDER TENSION DISC	2
20	813200	绕梭心过线螺钉	BOBBIN WINDER TENSION POST	1
21	813210	螺母	NUT	1
22	813220	绕梭心线过线架	BOBBIN WINDER TENSION BRACKET	1
23	813231	螺钉	SCREW	2
24	813240	绕线器组件	BOBBIN WINDER ASM.	1
25	813250	绕线器板	BOBBIN WINDER BRACKET	1
26	813260	螺母	NUT	1
27	813270	螺母	NUT	1
28	813280	满线跳板簧	BOBBIN WINDER SPRING	1
29	813291	铰链销螺钉	HINGE SCREW	1
30	813300	梭心固定簧	BOBBIN SET SPRING	1
31	813311	螺钉	SCREW	3
32	813320	带轮轴座	PULLEY SHAFT BASE	1
33	813330	绕线器轴	BOBBIN WINDER SHAFT	1
34	813340	轴套	COLLAR	1
35	813351	铰链销螺钉	HINGE SCREW	1
36	813360	绕线器轴轴套	BOBBIN WINDER SHAFT BUSHING	1
37	813371	螺钉	SCREW	2
38	813380	绕线器传动带轮	BOBBIN WINDER DRIVING PULLEY	1
39	813390	垫圈	WASHER	1
40	813400	满线跳板	BOBBIN WINDER TRIP LATCH	1
41	813411	调节螺钉	ADJUSTING SCREW	1
42	813420	调节螺母	ADJUSTING NUT	1
43	813431	铰链销螺钉	HINGE SCREW	1
44	813441	螺钉	SCREW	2
44-1	813440	垫片	SPACER	2
45	813450	弹簧板	SPRING BRACKET	1
46	813461	螺钉	SCREW	2
47	813470	垫圈	WASHER	1
48	813480	拉杆套管	TUBE	1
49	813490	螺母	NUT	1

14. 夹线器关系 / THREAD TENSION COMPONENTS



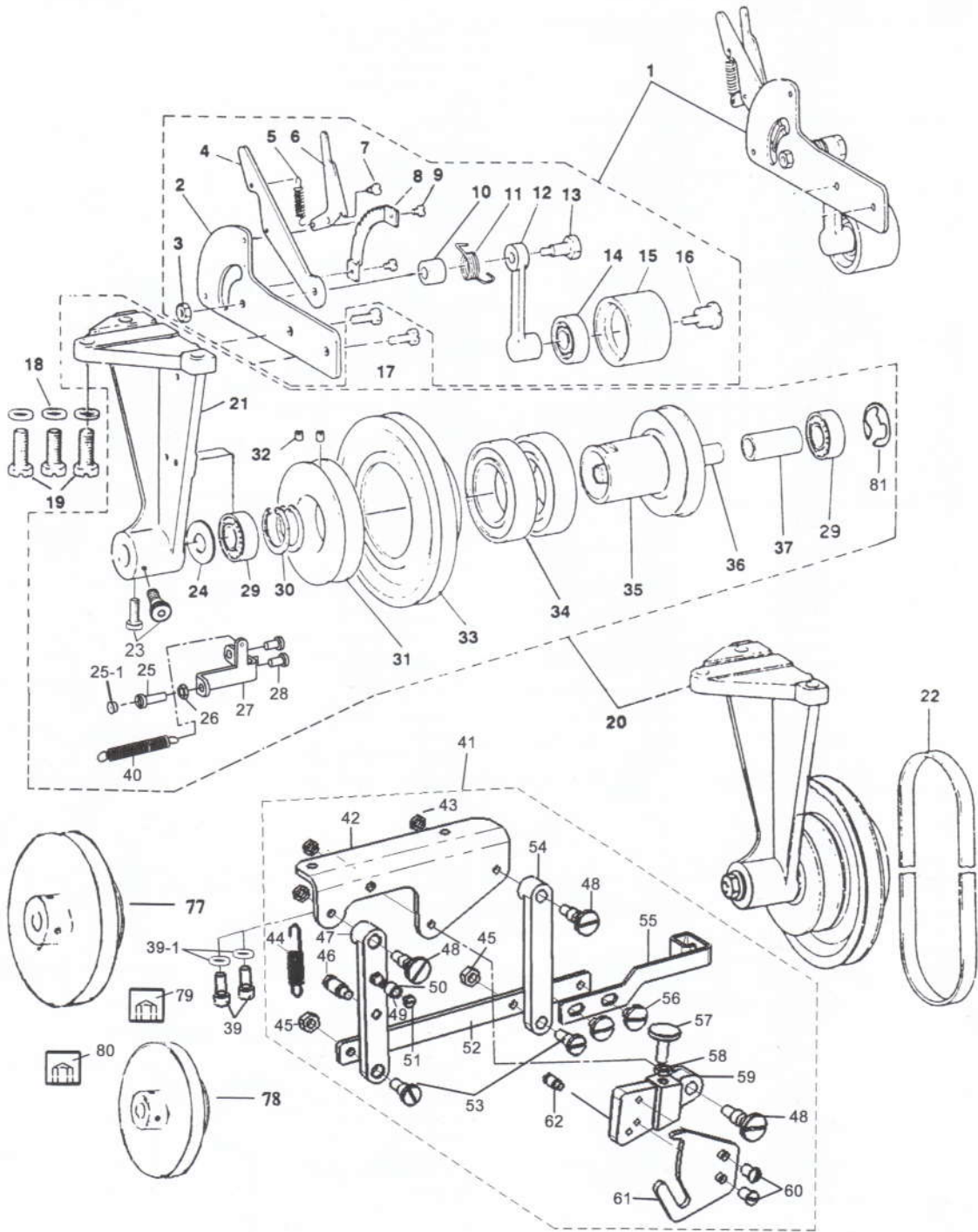
序号 NO	件号 Part NO.	名称	Description	数量 Amt.Req.
1	814010	松线连杆	TENSION RELEASE LINK	1
2	814021	铰链销螺钉	HINGE SCREW	1
3	814030	松线杆	TENSION RELEASE LEVER	1
4	814041	螺钉	SCREW	2
5	814051	铰链销螺钉	HINGE SCREW	1
6	814060	连杆板	BLOCKING LINK	1
7	814071	铰链销螺钉	HINGE SCREW	1
8	814080	弹簧	BLOCKING ARM SPRING	1
9	814091	铰链销螺钉	HINGE SCREW	1
10	814100	杠杆板	BLOCKING ARM	1
11	814110	挡圈	WASHER	1
12	-----			0
13	814130	螺母	NUT	1
14	814140	松线杆	TENSION RELEASE LEVER	1
15	814151	螺钉	SCREW	1
16	814160	下轴后轴承挡圈	THRUST COLLAR	1
17	814171	紧定螺钉	SCREW	2
18	814180	松线杆曲柄	TENSION RELEASE LEVER CRANK	1
19	814191	铰链销螺钉	HINGE SCREW	1
20	814200	螺母	NUT	1
21	814210	松线杆	TENSION RELEASE ROD	1
22	814221	螺钉	SCREW	2
23	814230	松线钉	TENSION RELEASE PIN	1
24	814241	螺钉	SCREW	1
25	814250	夹线控制器2号组件	TENSION CONTROLLER NO.2 ASM.	1
26	814260	夹线螺母	TENSION NUT	1
27	814270	拉线钢丝	THREAD PULLING WIRE	1
28	814280	压线弹簧	TENSION SPRING	1
29	814290	管状夹线板压板	TENSION DISC PRESSER TUBE	1
30	814300	夹线盘	TENSION DISC	2
31	814310	面线第二过线螺钉	TENSION POST	2
32	814320	挑线簧	THREAD TAKE-UP SPRING	1
33	814330	过线螺钉座	TENSION POST SOCKET	1
34	814341	螺钉	SCREW	1
35	814350	松线杆轴	TENSION RELEASE LEVER SHAFT	1
36	814361	螺钉	SCREW	1
36-1	-----	垫圈	WASHER	1
37	814370	拉线钢丝	THREAD PULLING WIRE	1
38	814380	夹线控制器1号组件	TENSION CONTROLLER NO.1 ASM.	1
39	814390	夹线螺母组件	TENSION NUT	1
40	814400	拉线钢丝	TENSION DISC STOPPER	1
41	814410	夹线弹簧	TENSION SPRING	1
42	814420	管状夹线压板	TENSION DISC PRESSER TUBE	1
43	814430	夹线盘	TENSION DISC	2
44	814440	松线销	TENSION RELEASE PIN	1
45	814450	面线第一过线螺钉	TENSION POST	1
46	814460	螺母	NUT	1
47	814470	松线臂	TENSION RELEASE ARM	1
48	814481	螺钉	SCREW	1
49	814491	螺钉	SCREW	1
50	814500	导线板	THREAD GUIDE PLATE	1
51	814510	弹簧	SPRING	1
52	814520	止推紧圈	THRUST COLLAR	1
53	814531	螺钉	SCREW	2
54	814540	松线杆	TENSION RELEASE ROD	1
55	814550	弹性圆柱销	SPRING PIN	1
56	814561	螺钉	SCREW	1
57	814570	二眼线钩	THREAD EYELET	1
58	814580	右线钩	FRAME THREAD GUIDE	1
59	814591	螺钉	SCREW	1
60	814600	针杆过线钩	NEEDLE BAR THREAD GUIDE	1
61	814611	螺钉	SCREW	1
61-1	-----	垫圈	WASHER	1
62	814620	紧线钩	TENSION THREAD GUIDE	1
63	814630	挑线过线钩	TAKE-UP THREAD GUIDE	1
64	814630	螺母	NUT	2
65	814650	定位架	POSITION BRACKET	1

15. 给油装置关系 / LUBRICATION MECHANISM COMPONENTS



序号 NO	件号 Part NO.	名称	Description	数量 Amt. Req.
1	815010	回油压板组件	OIL FELT HOLDER	1
2	815020	回油毡	OIL RETURN FELT	1
3	815030	回油管	OIL RETURN TUBE	1
4	815040	油管压板	CABLE HOLDER	1
5	815051	螺钉	SCREW	1
6	815060	油芯	OIL WICK	1
6-1	402S11003	螺钉	SCREW	6
7	815070	油管导架	PIPE GUIDE	1
8	815080	储油器	OIL RECEIVER	1
9	815090	油毡	OIL FELT	2
10	815101	螺钉	SCREW	2
10-1	815100	螺钉	SCREW	5
11	815110	盛油架	OIL RECEIVER	1
12	815120	调节润滑螺钉座	OIL ADJUSTING SCREW BASE	1
13	815130	油泵完全座	OIL PUMP	1
14	815140	油泵驱动过轮	OIL PUMP DRIVING WORM GEAR	1
15	815151	螺钉	SCREW	2
16	815161	螺钉	SCREW	2
17	815170	油毡导架	OIL FELT GUIDE	1
18	815181	螺钉	SCREW	1
19	815191	旋板调节润滑螺钉	HOOK OIL ADJUSTING SCREW	1
20	815200	弹簧	SPRING	1
21	815210	油泵板	OIL PUMP PLATE	1
22	-----			0
25	815251	油罩	OIL SHIELD	1
26	815260	油罩	OIL SHIELD	1
27	815271	油罩	OIL SHIELD	1
28	815280	皮带罩	BELT GUARD	1
29	815291	螺钉	SCREW	2
30	815300	皮带罩安装夹	BELT GUARD LATCH	1
31	815310	底部导板	BOTTOM GUIDE	1
32	815320	橡胶轴套	RUBBER BUSHING	1
46	815460	底座组件	MACHINE BASE ASM.	1
46-1	40226043	传动销座	DRIVING PIN BASE	1
47	815470	油池	OIL RESERVOIR	1
48	815480	导销	GUIDE PIN	2
49	815490	橡胶垫	RUBBER CUSHION	4
50	815501	螺钉	SCREW	4
51	815510	铰链座	HINGE HOLDER	2
52	815520	弹性圆柱销	PIN	2
53	815531	螺钉	SCREW	4
54	815540	垫圈	WASHER	4
55	815551	螺钉	SCREW	1
56	815560	密封垫	OIL DRAIN CAP GASKET	1
58	815581	螺钉	SCREW	1
59	815590	螺母	NUT	1
60	815601	止动螺钉	STOP SCREW	1
61	815610	螺母	NUT	1
62	815621	螺钉	SCREW	1
63	815630	起动架轴	STARTING LINK SHAFT	1
64	815641	螺钉	SCREW	2
65	815650	起动架	STARTING LINK	1
66	815660	起动杠杆	STARTING LEVER	1
67	815670	起动杠杆压簧	STARTING LEVER PRESSURE SPRING	1
68	-----			0
69	-----			0
70	815700	底座毡垫	MACHINE BASE FELT PAD	4
71	815710	底座螺栓	MACHINE BASE SCREW STUD	4
72	815720	垫圈	WASHER	4
72-1	H05013	E型挡圈	E-WASHER	1
73	4022604400	传动销组件	DRIVING PIN ASM.	1
74	402S16024	螺钉	SCREW	3
75	-----			0
76	-----			0
77	815770	连接销	CONNECTION STUD	2
77-1	40222031	橡胶垫圈	RUBBER WASHER	2
78	-----			0
79	815790	O型环	O-RING	1
80	815800	油管固定板	PIPE RETAINER	1
80-1	807221	螺钉	SCREW	2
81	815810	漏斗	FUNNEL	1
86	815860	油管导架	PIPE GUIDE	1
86-1	-----	螺钉	SCREW	2
87	-----	油线固定夹	OIL WICK LATCH	1
88	-----	油线销	OIL WICK PIN	1
89	815730	螺母	NUT	4

16. 减速机关系 / SPEED TRANSMITTER COMPONENTS

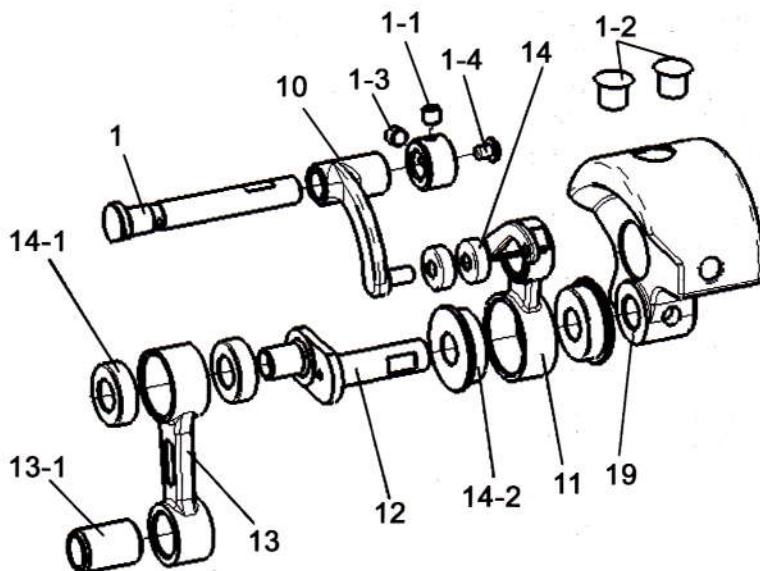


序号 NO	件号 Part NO.	名称 Description	数量 Amt. Req.	序号 NO	件号 Part NO.	名称 Description	数量 Amt. Req.
66	-----		0	74	-----		0
67	-----		0	75	-----		0
68	-----		0	76	-----		0
69	-----		0	77	816770	马达轮 MOTOR PULLEY	1
70	-----		0	78	816780	马达轮 MOTOR PULLEY (FOR KBH-783V, 784V USE)	1
71	-----		0	79	816801	螺钉 SCREW	2
72	-----		0	80	816791	螺钉 SCREW	1
73	-----		0	81	-----	卡簧 "C" CLIP	1

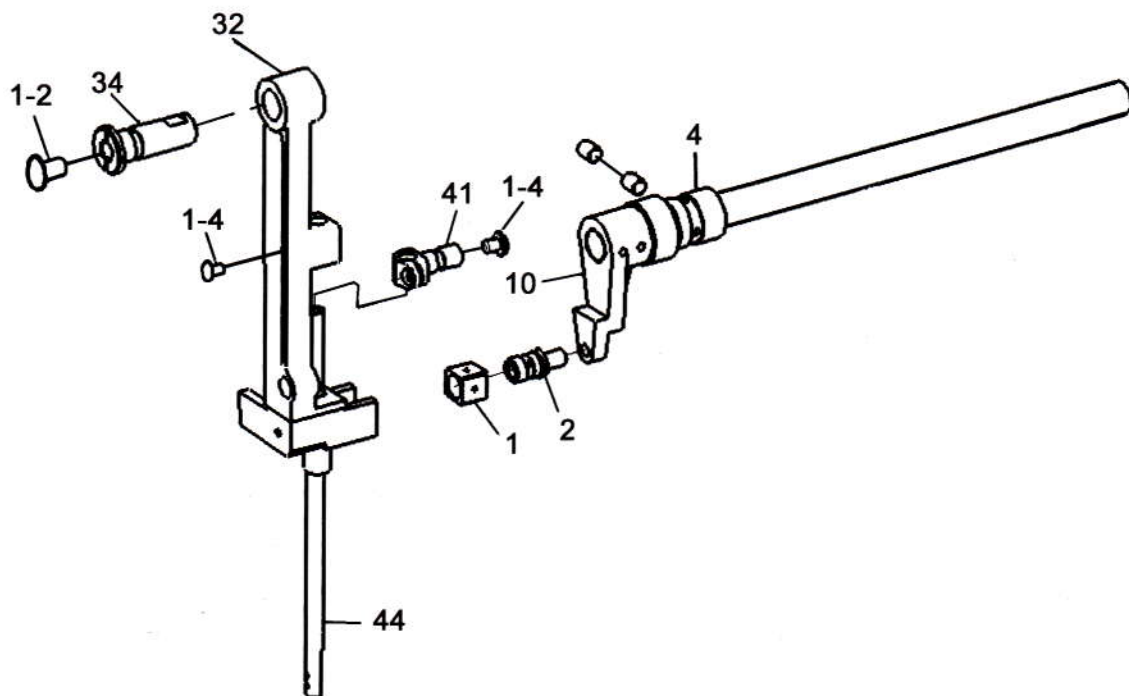
序号 NO	件号 Part NO.	名称	Description	数量 Amt. Req.
1	816010	皮带张紧轮座组件	TENSION PULLEY ASM.	1
2	816020	皮带张紧轮座	TENSION PULLEY BRACKET	1
3	816030	螺母	NUT	1
4	816040	张杆	TENSION LEVER	1
5	816050	定位爪拉簧	NIPPER BAR ACTUATING LEVER SPRING	1
6	816060	定位爪	FIXING PAWL	1
7	816071	铰链销螺钉	HINGE SCREW	1
8	816080	棘爪	RATCHET	1
9	816091	紧定螺钉	SCREW	2
10	816100	隔套	LEVER COLLAR	1
11	816110	转矩弹簧	TENSION SPRING	1
12	816120	张紧轮连杆	TENSION PULLEY LINK	1
13	813131	铰链销螺钉	HINGE SCREW	1
14	816140	单列向心球轴承	BEARING	1
15	816150	皮带张紧轮	TENSION PULLEY	1
16	816161	铰链销螺钉	HINGE SCREW	1
17	816171	螺钉	SCREW	2
18	816180	垫圈	WASHER	3
19	816191	螺钉	SCREW	3
20	816200	拨叉传动组件	SHIFTER DRIVING ASM.	1
21	816210	变速器支架	SPEED TRANSMIRTRER BRACKET	1
22	816220	传动胶带	BELT	1
23	816231	螺钉	SCREW	2
24	816240	增速带轮轴承垫圈	HIGH SPEED WASHER FOR BEARING	1
25	402S30057	止动螺钉	STOP SCREW	1
25-1	40211018	尼龙垫	NYLON GASKET	1
26	409S16020	螺母	NUT	1
27	40201028	拨叉限位器支架	SHIFTER STIPPER BRACKET	1
28	205S30010	螺钉	SCREW	2
29	816290	单列向心球轴承	BEARING	2
30	816300	挡圈	RETAINING RING	2
31	816310	增速带轮	ACCELERATING PULLEY	1
32	816321	紧定螺钉	SCREW	2
33	816330	高速带轮	HIGH-SPEED PULLEY	1
34	816340	单列向心球轴承	BEARING	2
35	816350	低速带轮	LOW-SPEED PULLEY	1
36	816360	变速轴	SPEED TRANSMITTER SHAFT	1
37	816370	隔套	SLEEVE	1
38	816380	轴承压紧环	BEARING PRESSER	1
39	401S13001	螺钉	SCREW	2
39-1	41228002	垫圈	WASHER	2
40	40227043	拨叉拉簧	SHIFTER TENSION SPRING	1
41	4020102700	拨叉底座组件	SHIFTER BASE ASM.	1
42	40202029	拨叉底座	SHIFTER BASE	1
43	409S16020	螺母	NUT	3
44	40227042	拨叉凸轮弹簧	SHIFTER CAM SPRING	1
45	409S16002	螺母	NUT	2
46	402S30056	拨叉张紧拉簧螺钉	SCREW	1
47	40204025	拨叉传动臂	SHIFTER DRIVING ARM	1
48	402S20033	轴位螺钉	HINGE SCREW	3
49	40226045	滚轮销	ROLLER STUD	1
50	40209029	滚子	CAM ROLL	1
51	402S11032	螺钉	SCREW	1
52	40212091	拨叉安装板	SHIFTER INSTALLING PLATE	1
53	402S20034	铰链螺钉	HINGE SCREW	2
54	40204026	拨叉连架臂	SHIFTER HOLDING ARM	1
55	40212092	变速拨叉	SPEED TRANSMITTER SHIFTER	1
56	402S11033	螺钉	SCREW	2
57	402S30053	拨叉销螺钉	SHIFTER PIN SCREW	1
58	409S16020	螺母	NUT	1
59	40212093	拨叉凸轮安装架	SHIFTER CAM MOUNTING	1
60	409S11007	螺钉	SCREW	2
61	40210009	拨叉凸轮	SHIFTER CAM	1
62	402S30054	挂簧螺钉	SUSPENSION SCREW	1
63	-----			0
64	-----			0
65	-----			0

17. 781W专用零件 / EXCLUSIVE PARTS FOR 781W

1. 上轴关系 / MAIN SHAFT COMPONENTS

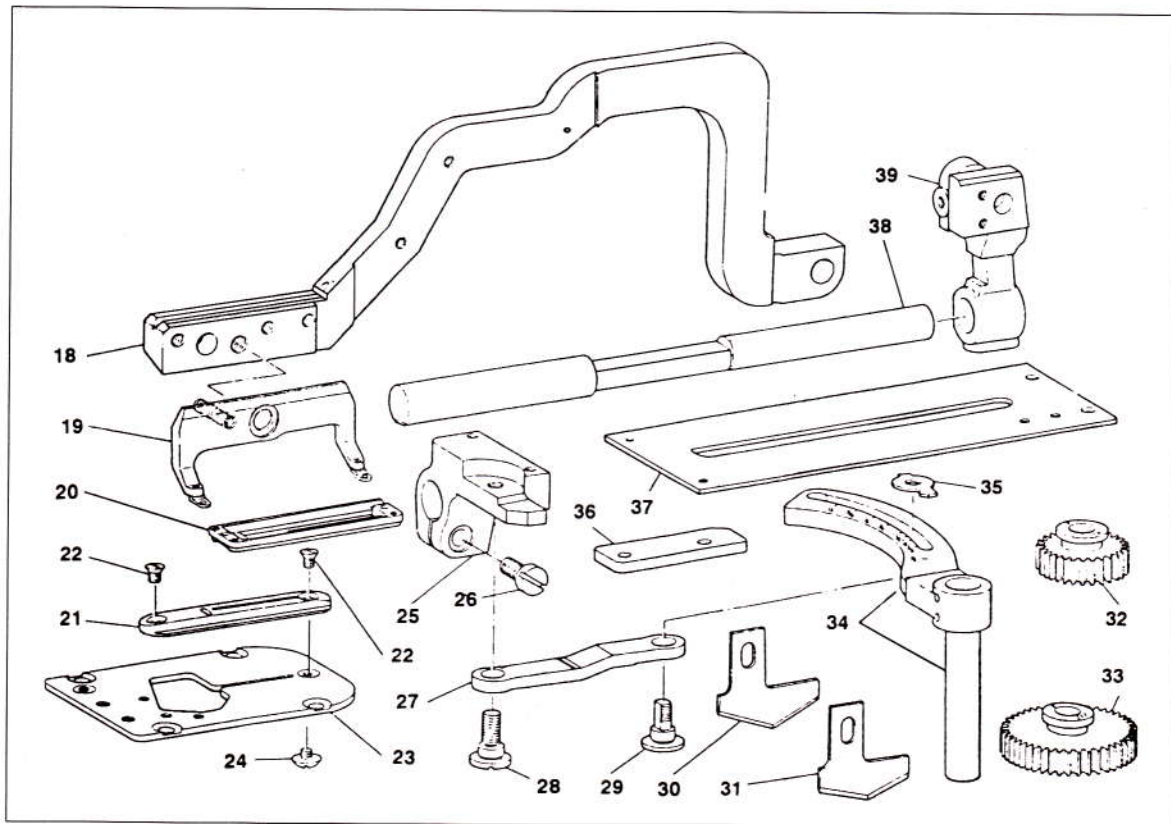


2. 针棒摇动台关系 / NEEDLE BAR FRAME COMPONENTS



序号 NO	件号 Part NO.	名称	Description	数量 Amt.Req.
1	40226047	铰链销	HINGE STUD	1
1-1	40228024	垫圈	WASHER	1
1-2	40122006	塞子	PLUG	2
1-3	402S14005	螺钉	SCREW	2
1-4	40222029	堵头	PLUG	1
10	40238004	挑线连杆	THREAD TAKE UP CRANK SHAFT	1
11	4023800500	挑线杆组件	THREAD TAKE UP LEVER ASM	1
12	40204027	针杆曲柄	NEEDLE BAR CRANK	1
13	40205021	针杆曲柄连杆	NDDELE BAR CRANK CONNECTING ROD	1
13-1	40203035	铜套	COPPER BUSHING	1
14	40224001	轴承NSK694ZZ	BEARING	1
14-1	40224002	轴承NSK688ZZ	BEARING	1
14-2	40224003	轴承NSK698ZZ	BEARING	1
19	40204032	平衡块	COUNTER WEIGHT	1
01	40209031	针杆架滑块	NEEDLE BAR CONNECTION SLIDE BLOCK	1
02	402S30055	滑块销螺钉	STUD	1
04	40203036	摇杆后轴套	FRAME ROCK SHAFT BUSHING FRONT	1
32	40201034	针杆架	NEEDLE BAR FRAME	1
34	40226046	铰链销	HINGE STUD	1
41	40205022	针杆连接杆	NEEDLE BAR CONNECTION	1
44	40202038	针杆	NEEDLE DP × 5	1

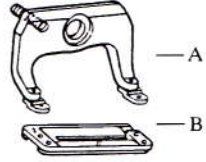


18. 784专用零件 / EXCLUSIVE PARTS FOR 784



序号 NO	件号 Part NO.	名称	Description	数量 Amt. Req.
1	-----			0
17	-----			0
18	817180	布料夹	WORK CLAMP ARM	1
19	817190	压脚	WORK CLAMP CHECK HOLDER	1
20	817200	压脚板组件	WORK CLAMP CHECK	1
21	817210	针板	THROAT PLATE	1
22	817221	螺丝	SCREW	2
23	817230	针板座	THROAT PLATE BASE	1
24	817241	螺钉	SCREW	1
25	817250	送料支架	WORK CLAMP ARM BRACKET	1
26	817261	螺钉	SCREW	1
27	817270	送料支架连杆	WORK CLAMP CARRIER PITMAN	1
28	817281	螺钉	SCREW	1
29	817291	调节送料长度铰链销螺钉	FEED ADJUSTING SCREW	1
30	817300	刀	KNIFE 1-1/2"	1
31	817310	刀	KNIFE 1-3/8"	1
32	817320	直齿轮	SPUR GEAR (74)	1
33	817330	直齿轮	SPUR GEAR (252)	1
34	817340	调节送料长度刻度盘组件	LENGTH REGULATING ARM ASM.	1
35	817350	调节送料长度轴导板	LENGTH REGULATING SHAFT GUIDE	1
36	817360	送布拖板支架导块	WORK CLAMP ARM BRACKET GUIDE	1
37	817370	送布拖板	WORK CLAMP CARRIER	1
38	817380	压脚臂滑杆	WORK CLAMP ARM SLIDE ROD	1
39	817390	托架	WORK CLAMP ARM BEARING BRACKET	1

19. 交换零件 / EXCHANGING PARTS

SET	①小齿轮 SMALL GEAR		②大齿轮 LARGE GEAR	
	针数 STITCH NO.	件号 PARTS NO.	针数 STITCH NO.	件号 PARTS NO.
E	74	81801E	252	81802E
G	83	81801G	225	81802G
J	100	81801J	190	81802J
K	105	81801K	180	81802K
L	110	81801L	170	81802L
N	123	81801N	152	81802N

③ 刀片 KNIFE			④压脚 WORD CLAMP CHECK	⑤针板 THROAT PLATE	⑥导片 GUIDE	
NO.	规格 SIZE (mm)	件号 PART No.	件号 PART No.	件号 PART No.	件号 PART No.	
						
1	1/4" (6.3)	818301	81841A 81841B (25.4mm)	818501 (31.7mm)	818601 (25.4mm)	
2	3/8" (9.5)	818302				
3	1/2" (12.7)	818303				
4	9/16" (14.3)	818304				
5	5/8" (15.8)	818305				
6	3/4" (19.0)	818306				
7	7/8" (22.2)	818307				
8	1" (25.4)	818308				
9	1-1/4"(31.7)	818309	81842A 81842B (31.7mm)	818502 (38.1mm)	818602 (31.7mm)	
10	1-3/8"(34.9)	818310	81843A 81843B (38.1mm)		818502 (38.1mm)	818602 (38.1mm)
11	1-1-2"(38.1)	818311				