

L918-RM1 自動切線型規格件表 / CONVERSION CHART



P1

| MODEL | SUB-CLASS | OPERATING PANEL | GAUGE WIDTH | NEEDLE PLATE | FEED DOG | PRESSER FOOT | HOOK ASM | BOBBIN CASE ASM | BOBBIN | THROAT PLATE CHIP GUARD | NEEDLE | THREAD GUIDE | THROAT PLATE COVER | HAND WHEEL |
|----------------------------------|-----------|------------------------|---------------|------------------------|----------------|----------------|----------|-----------------|--------|-------------------------|---------|---------------------------------|-----------------------|--------------------|
| L918-RM1-32-00 L918-RM1-32-03 | 32 | L-900 (廣欣) | 1/8" (3.2mm) | E705Q (E705S) | D705 (D702) | P705 (P701) | G121 | G202 | G303 | LR254D (LR254) | DBX1#14 | LR141S (LR106S-E) (LR106) | (LR106S-E) (LR106) | LH01-A1 LH01P-A |
| L918-RM1-32-10 L918-RM1-32-13 | | | | L-700B (牌) | | | | | | | | | | |
| L918-RM1-40-00 L918-RM1-40-03 | 40 | | 5/32" (4.0mm) | E705R (E705Q) | D705 | P705 | G121 | G202 | G303 | LR254D | DBX1#14 | LR141S (LR106-E) | | |
| L918-RM1-40-10 L918-RM1-40-13 | | | | | | | | | | | | | | |

() 之規格件放於夾鏈袋裝于成車箱內, BOM表編與40站.

10.03.08

L918-RM1 自動切線型規格件表 / CONVERSION CHART

| MODEL | SUB-CLASS | OPERATING PANEL | GAUGE WIDTH | NEEDLE PLATE | FEED DOG | PRESSER FOOT | HOOK ASM | BOBBIN CASE ASM | BOBBIN | THROAT PLATE CHIP GUARD | NEEDLE | THREAD GUIDE | THROAT PLATE COVER | HAND WHEEL |
|---|---|---|---|---|--|---|---|---|---|---|---|---|---|---|
|  |  |  |  |  |  |  |  |  |  |  |  |  |  |  |
| L918-RM1-48-00 L918-RM1-48-03 | 48 | L-900 (賀成) | 3/16" (4.8mm) | E705 (E705Q) | D705 | P705 | G121 | G202 | G303 | LR254D | DBX1#14 | LR141S | (LR106-E) | |
| L918-RM1-48-10 L918-RM1-48-13 | | | | | | | | | | | | | | |
| L918-RM1-64-00 L918-RM1-64-03 | 64 | L-700B (P牌) | 1/4" (6.4mm) | E705S (E705Q) | D702 (D705) | P701 (P705) | G121 | G202 | G303 | LR254 (LR254D) | DBX1#14 | LR141S | (LR106-E) (LR106) | LH01-A1 LH01P-A |
| L918-RM1-64-10 L918-RM1-64-13 | | | | | | | | | | | | | | |
| L918-RM1-95-00 L918-RM1-95-03 | 95 | L-900 (賀成) | 3/8" (9.5mm) | E705T (E705Q) | D702 (D705) | P701 (P705) | G121 | G202 | G303 | LR254 (LR254D) | DBX1#14 | LR141S | (LR106T-E) (LR106) | |
| L918-RM1-95-10 L918-RM1-95-13 | | | | | | | | | | | | | | |

() 之規格件放於次鏈袋裝于成車箱內，BOM表編與40站。

PARTS LIST FOR LA GROUP P.1

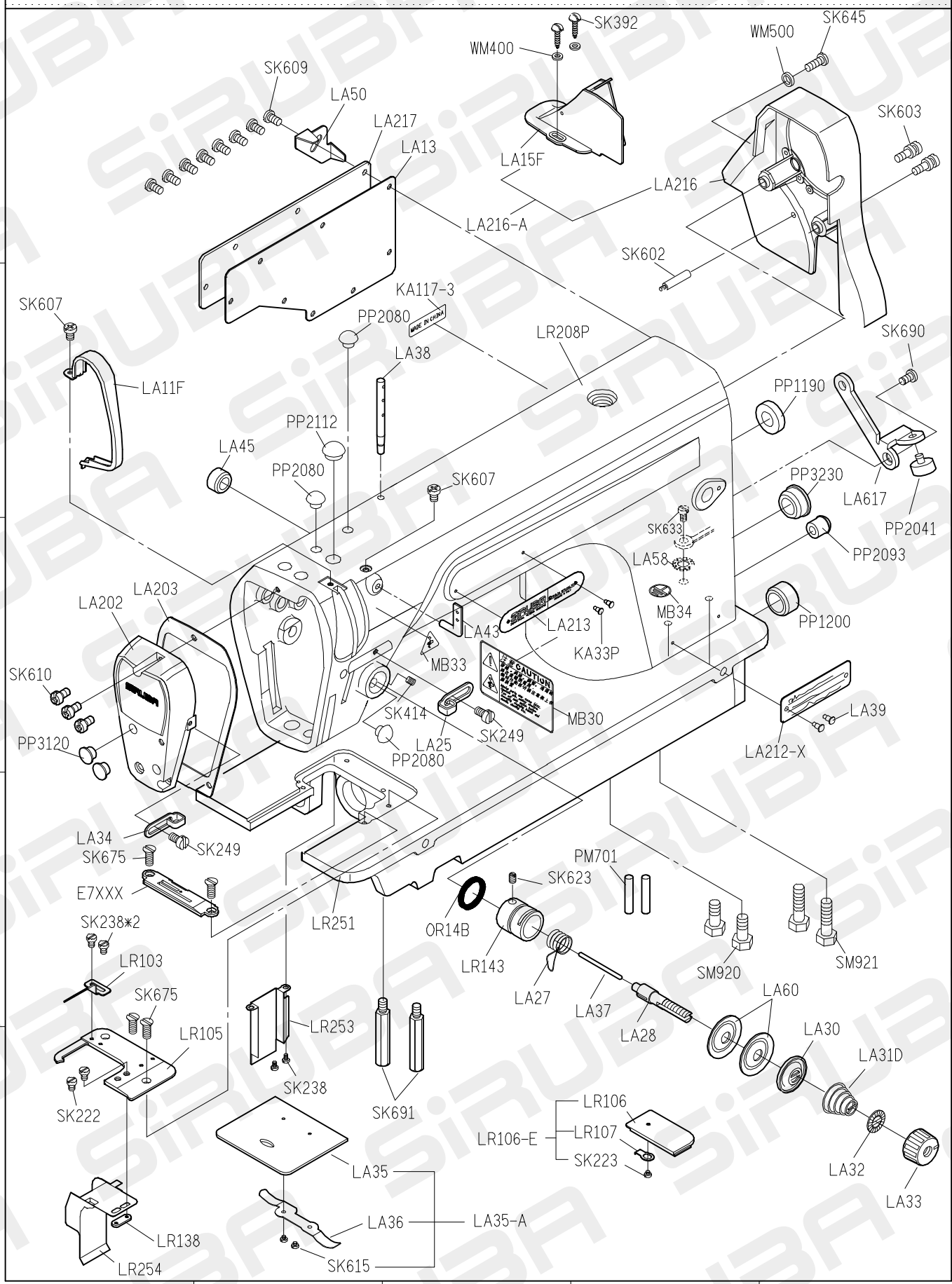
A

B

C

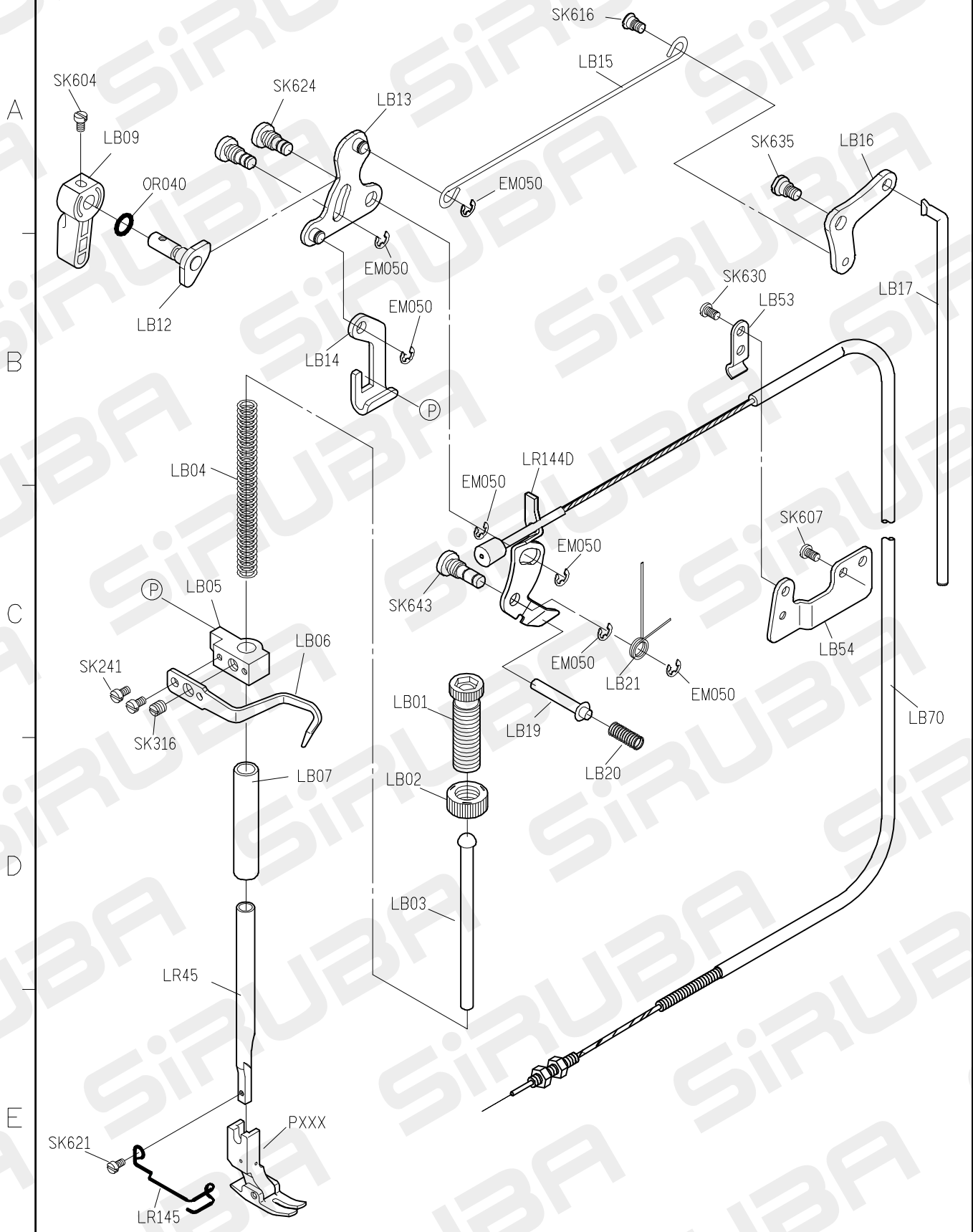
D

E

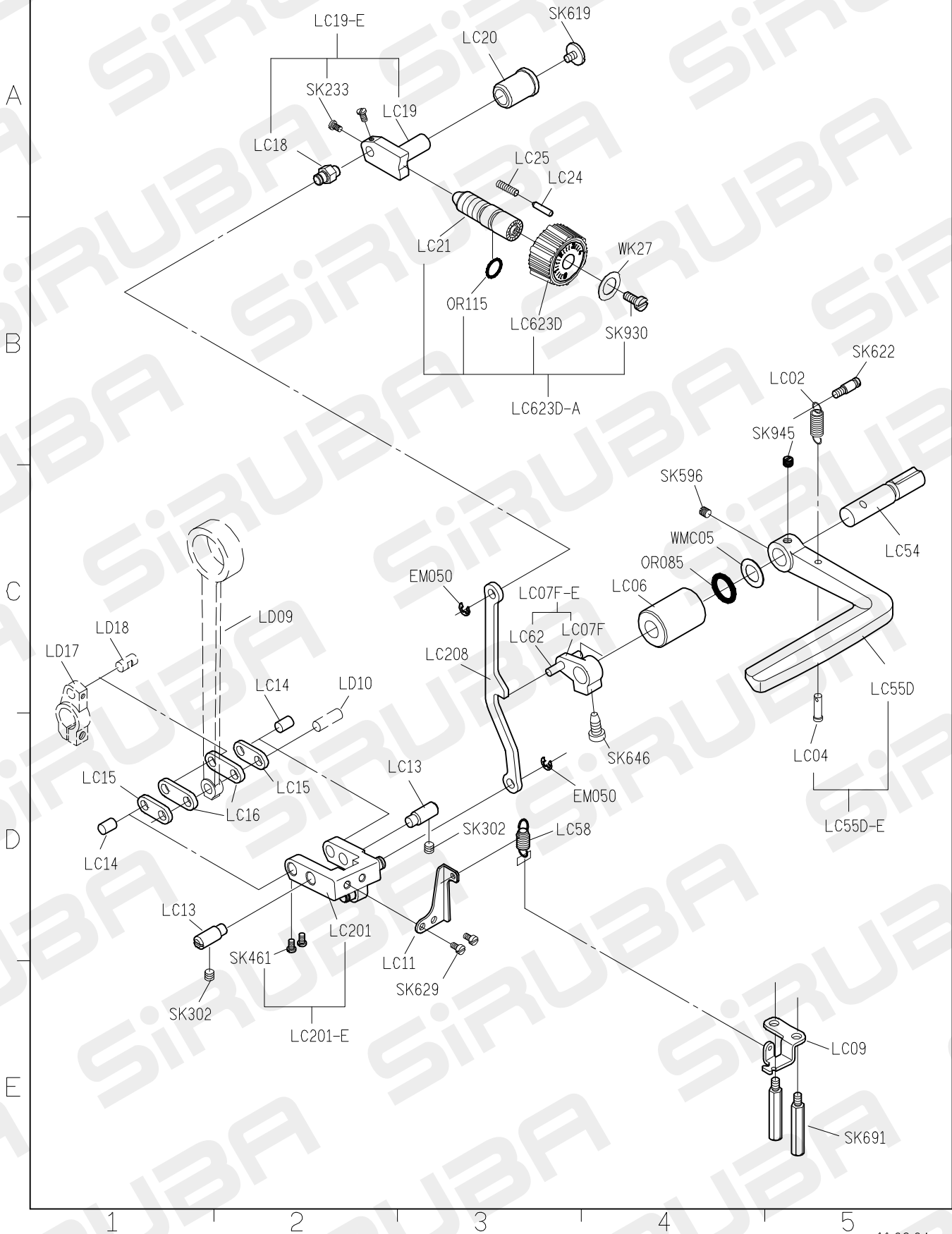


1 2 3 4 5 11/01/11

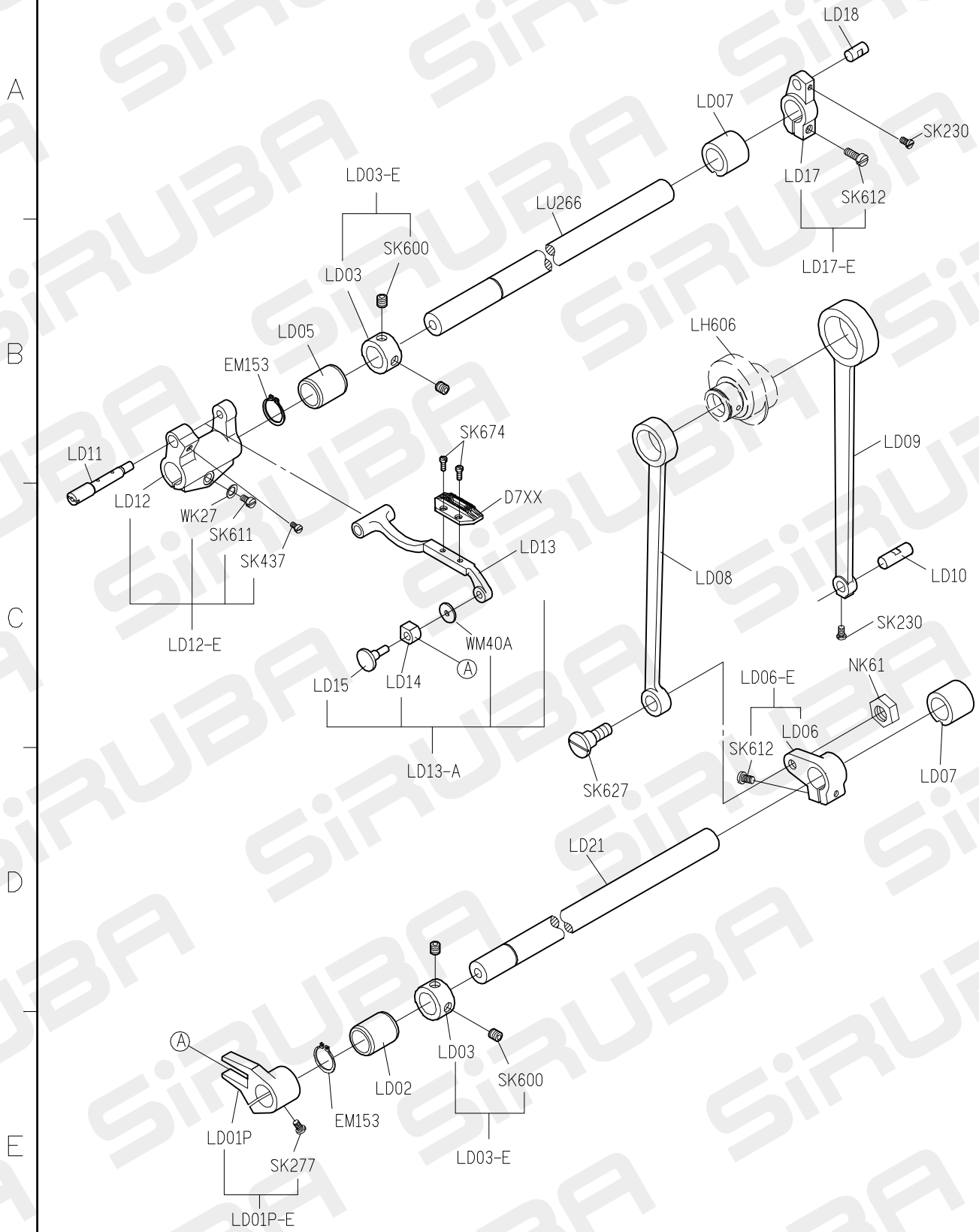
PARTS LIST FOR LB GROUP P.1/1



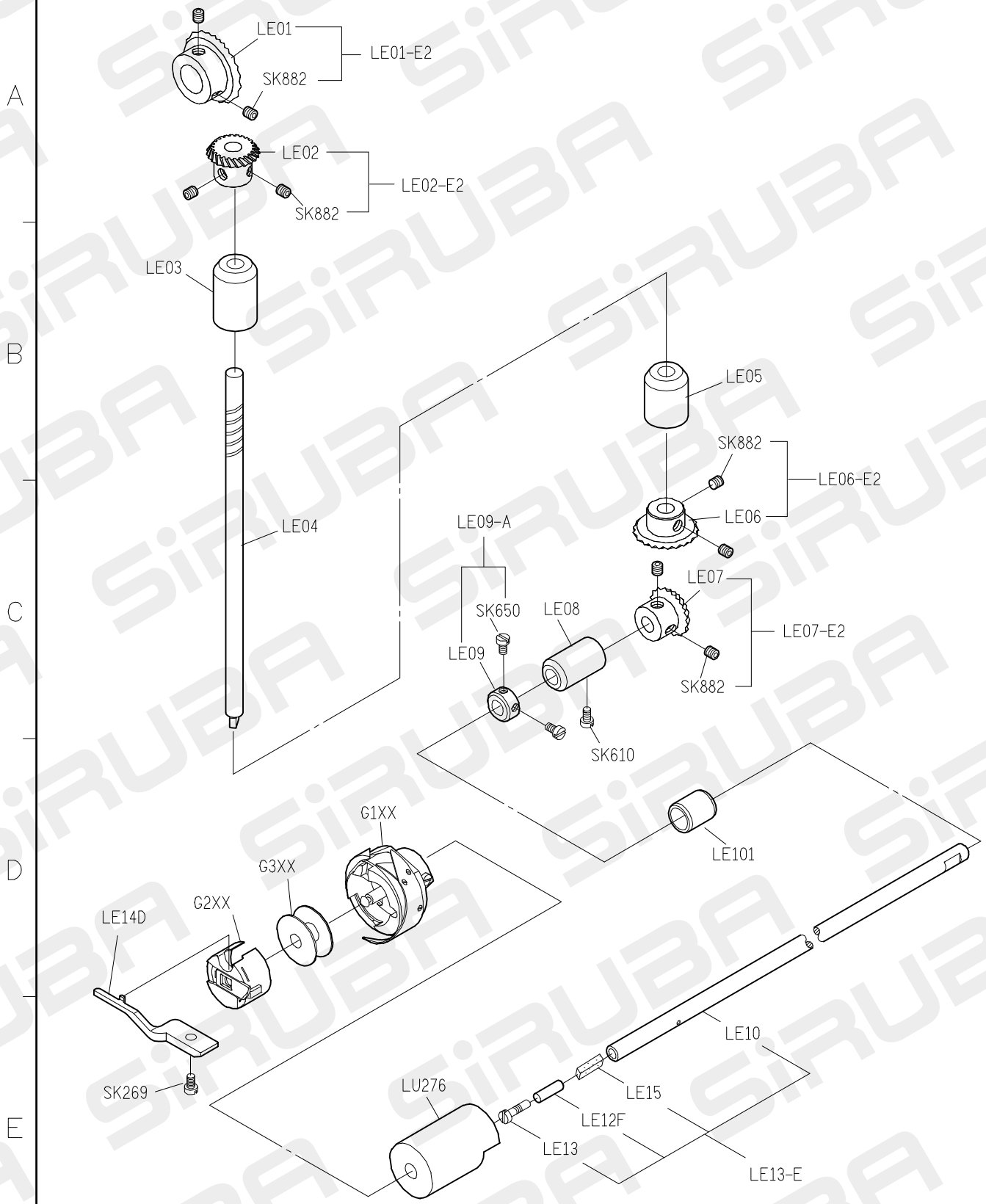
PARTS LIST FOR LC GROUP P.1/1



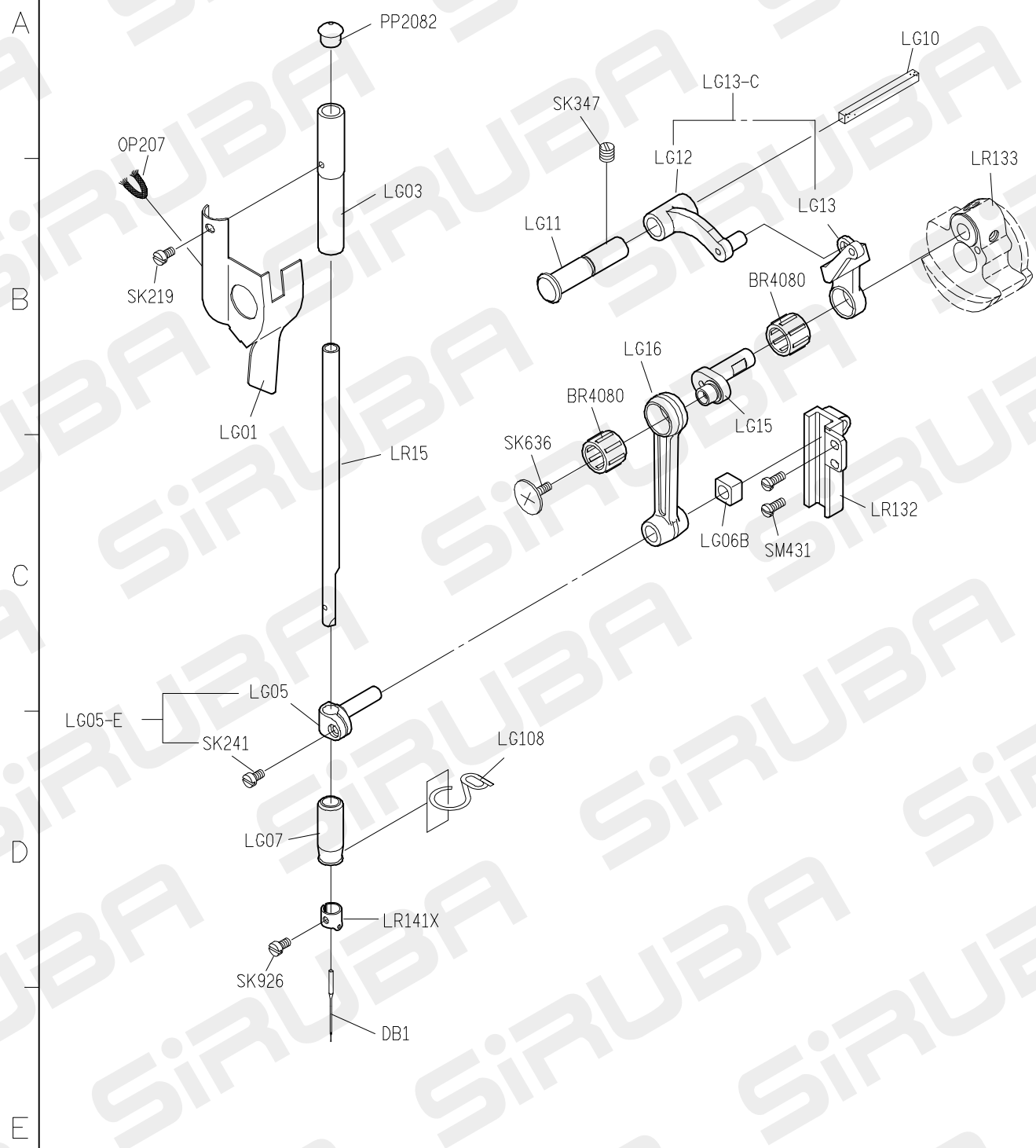
L918-RM1U PARTS LIST FOR LD GROUP P.1/1



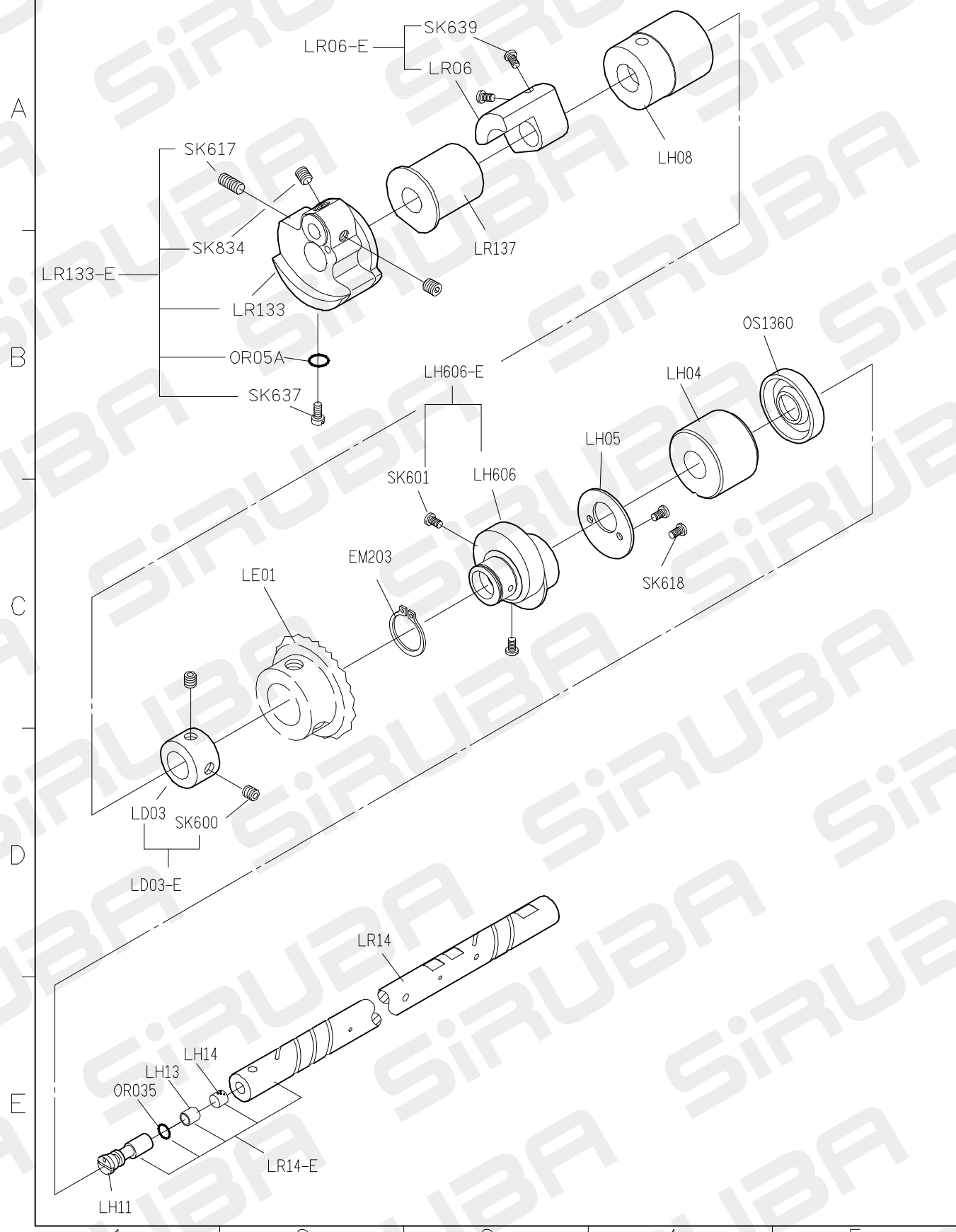
L918-RM1 PARTS LIST FOR LE GROUP P.1/1



PARTS LIST FOR LG GROUP 系列圖 1



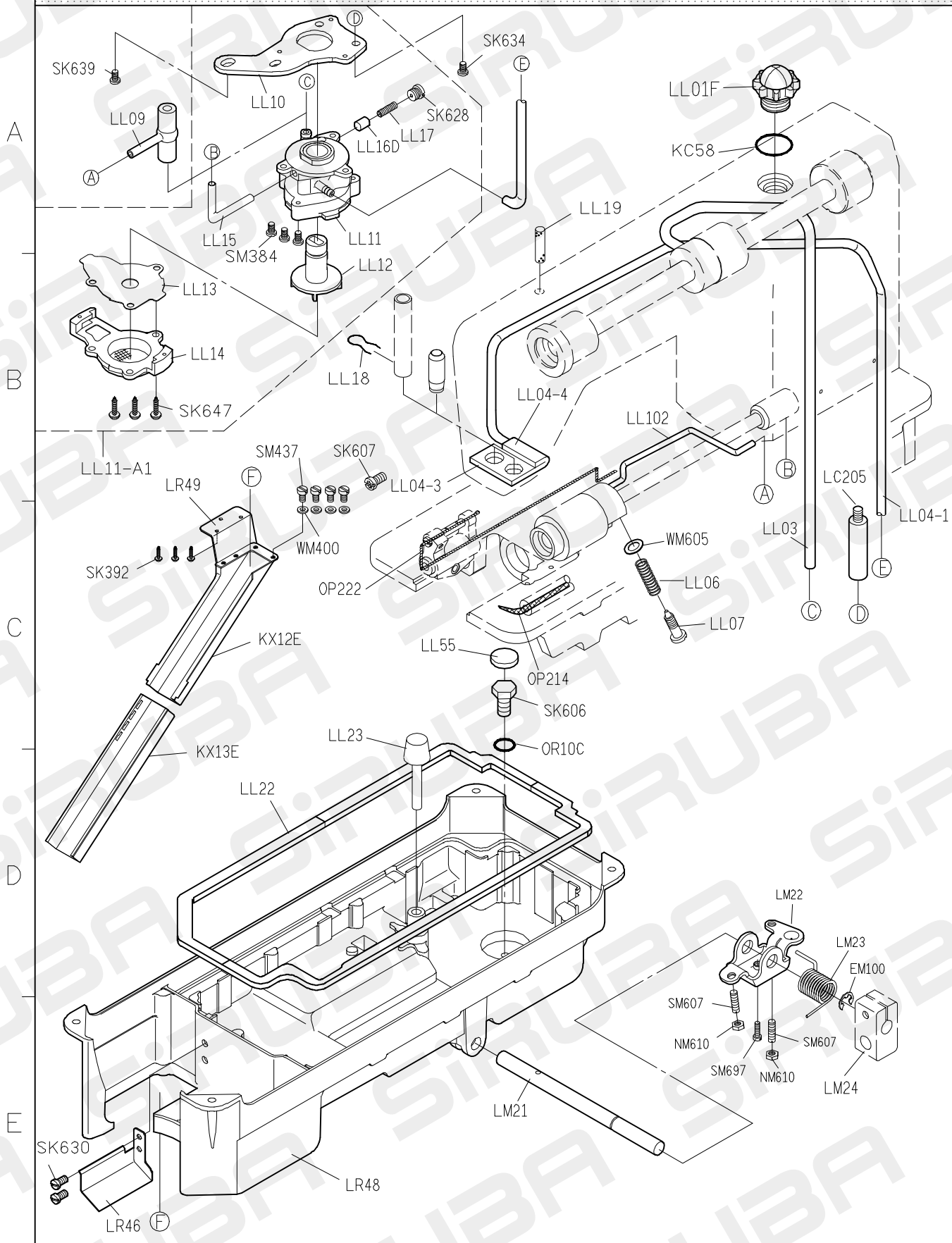
PARTS LIST FOR LH GROUP 系列圖 1



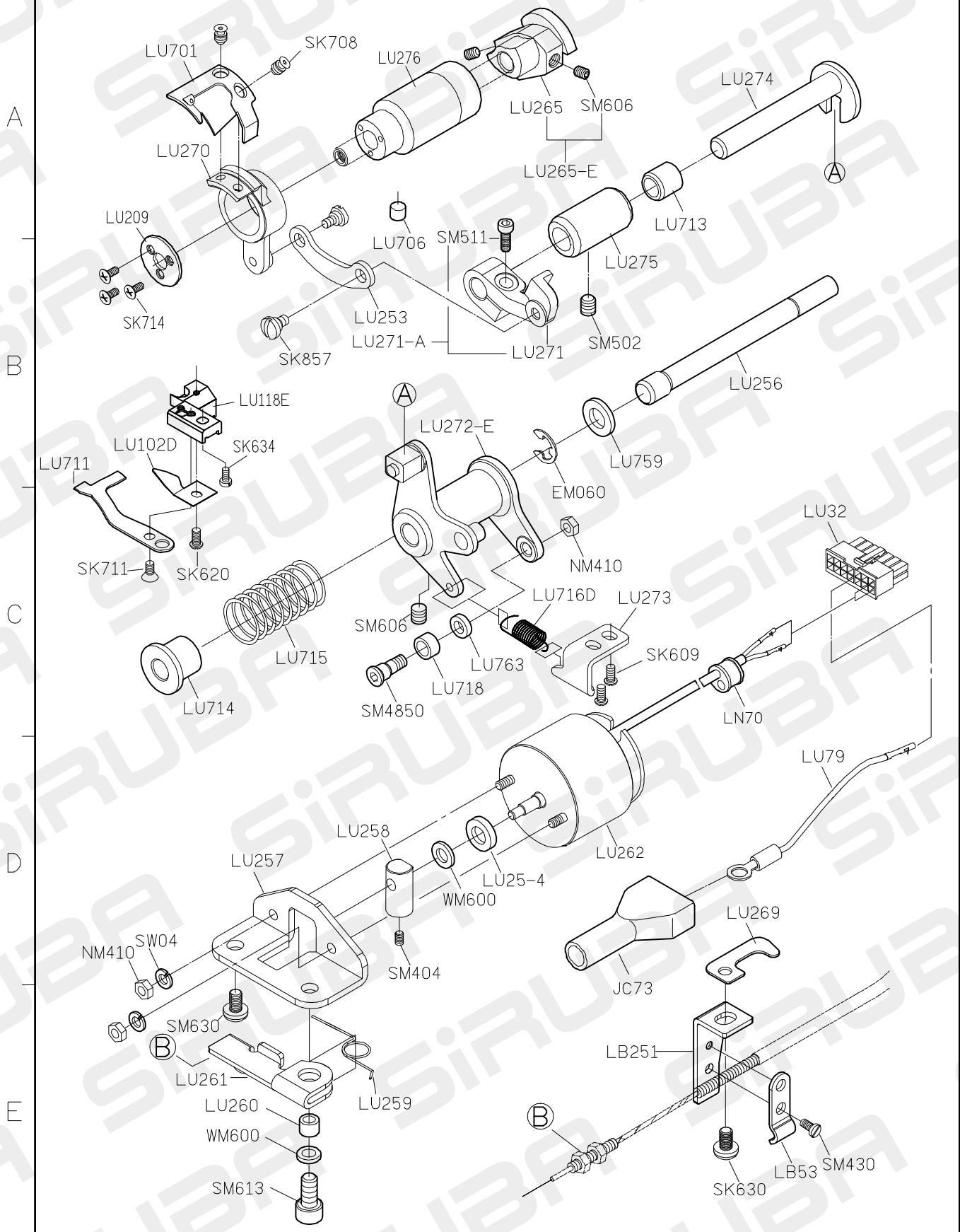
PARTS LIST FOR LH GROUP 系列圖 2

| | 擺動式切刀 | 旋轉式切刀 |
|--------------------------------------|-----------------|------------------|
| <p>A H 廠牌馬達</p> | <p>LH01-A1</p> | <p>LH101-A1</p> |
| <p>B 其他廠牌馬達(可加後拉輪)</p> | <p>LH01Q-E</p> | <p>LH101Q-A1</p> |
| <p>C P 廠牌馬達</p> | <p>LH01P-A</p> | <p>LH101P-A</p> |
| <p>D E P 廠牌馬達(可加後拉輪)</p> | <p>LH01QP-A</p> | <p>LH101QP-A</p> |

PARTS LIST FOR LL GROUP 系列圖 1

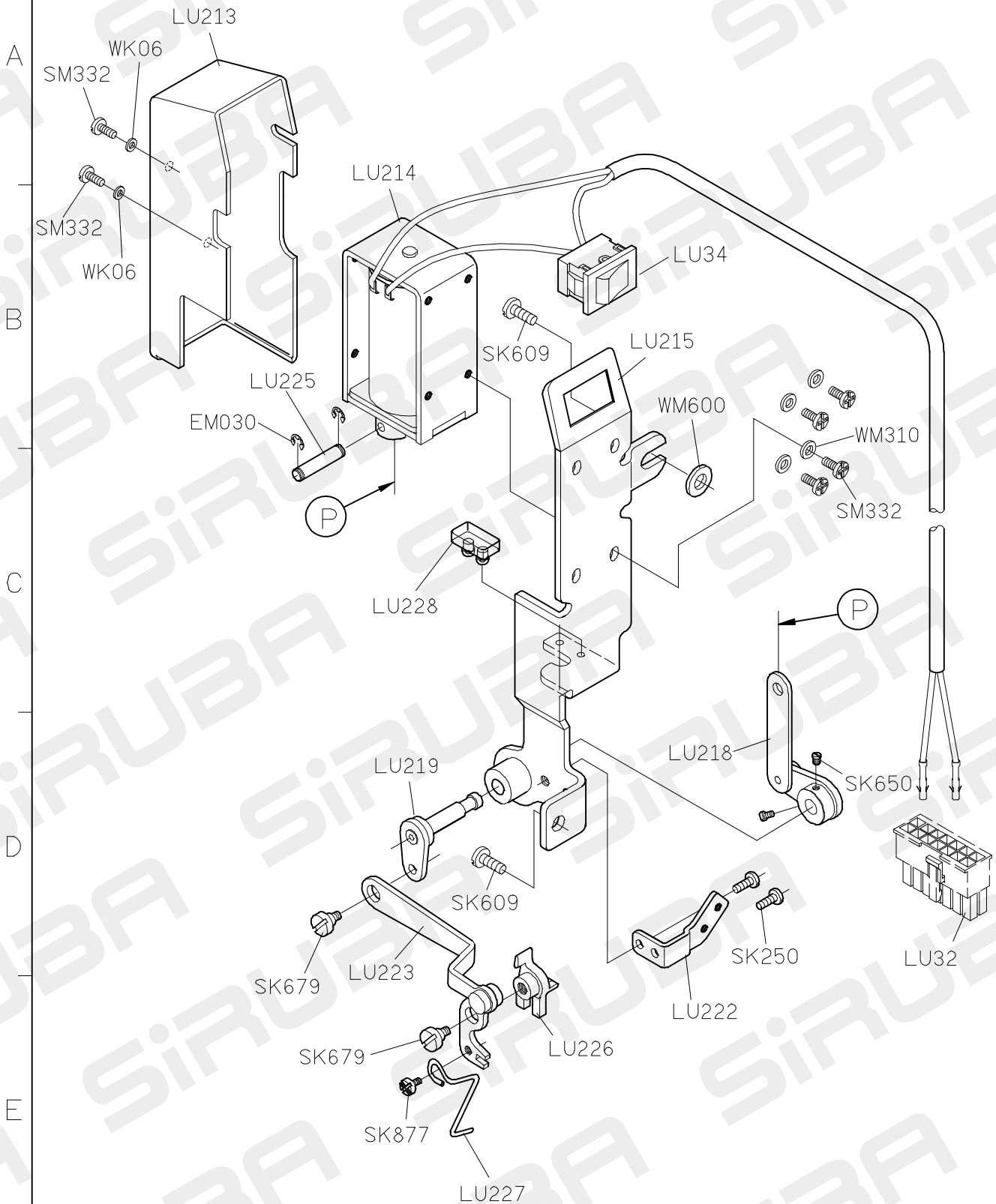


L918-RM1U PARTS LIST FOR LU GROUP P.1/1



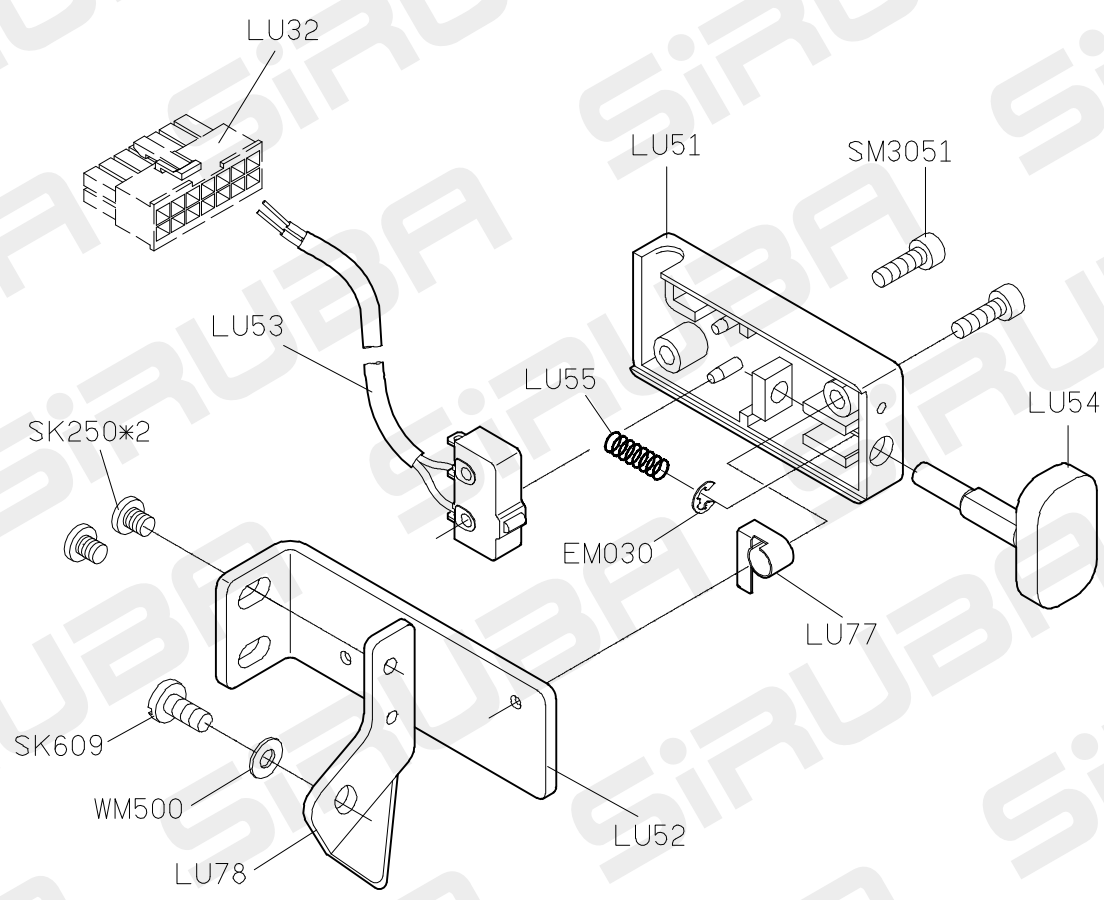
PARTS LIST FOR LU GROUP Thread Wiper 系列圖

LU215-A



PARTS LIST FOR LU GROUP One-touch type reverse Feed 系列圖 3

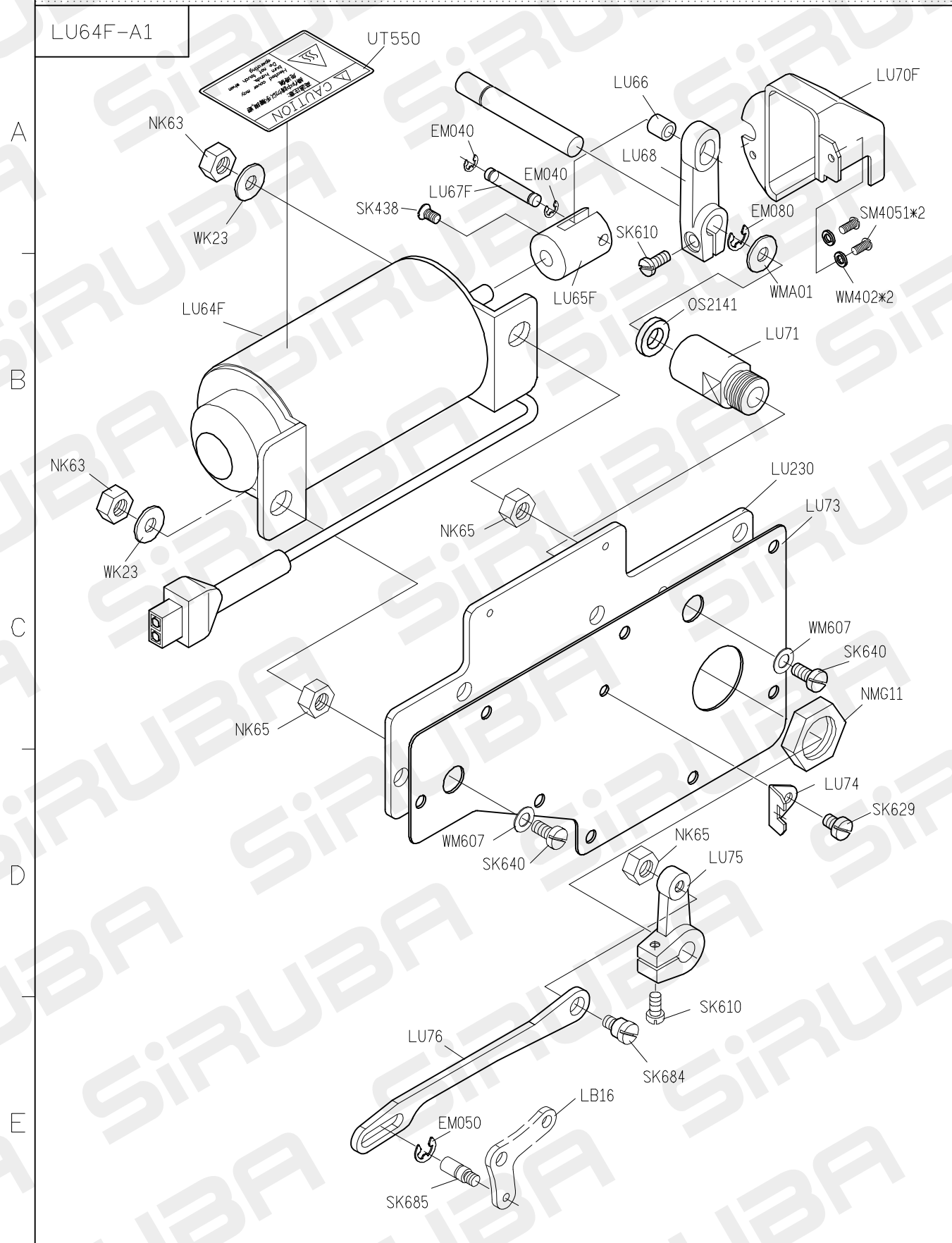
A
B
C
D



1 2 3 4 5

PARTS LIST FOR LU GROUP Auto-Lifter 系列 圖 4

LU64F-A1



1 2 3 4 5 09.11.20

PARTS LIST FOR Connecting the Motor cords 系列圖 5

H 牌用

P 牌用

A

B

C

D

E

TXXXXXX-A
(馬達電控箱組)

TXXXXXX-A
(電控箱組)

LU64F

LH58F / P

LC209

CP102

CP104

L-900

LU53

LU36

LU262

| 機 型 | CP102 使用數量 | CP104 使用數量 |
|------------|------------|------------|
| L918-XX-00 | 3 | 0 |
| L918-XX-01 | 2 | 1 |
| L918-XX-02 | 3 | 0 |
| L918-XX-03 | 2 | 1 |
| L918-XX-10 | 2 | 1 |
| L918-XX-11 | 1 | 2 |
| L918-XX-12 | 2 | 1 |
| L918-XX-13 | 1 | 2 |

1

2

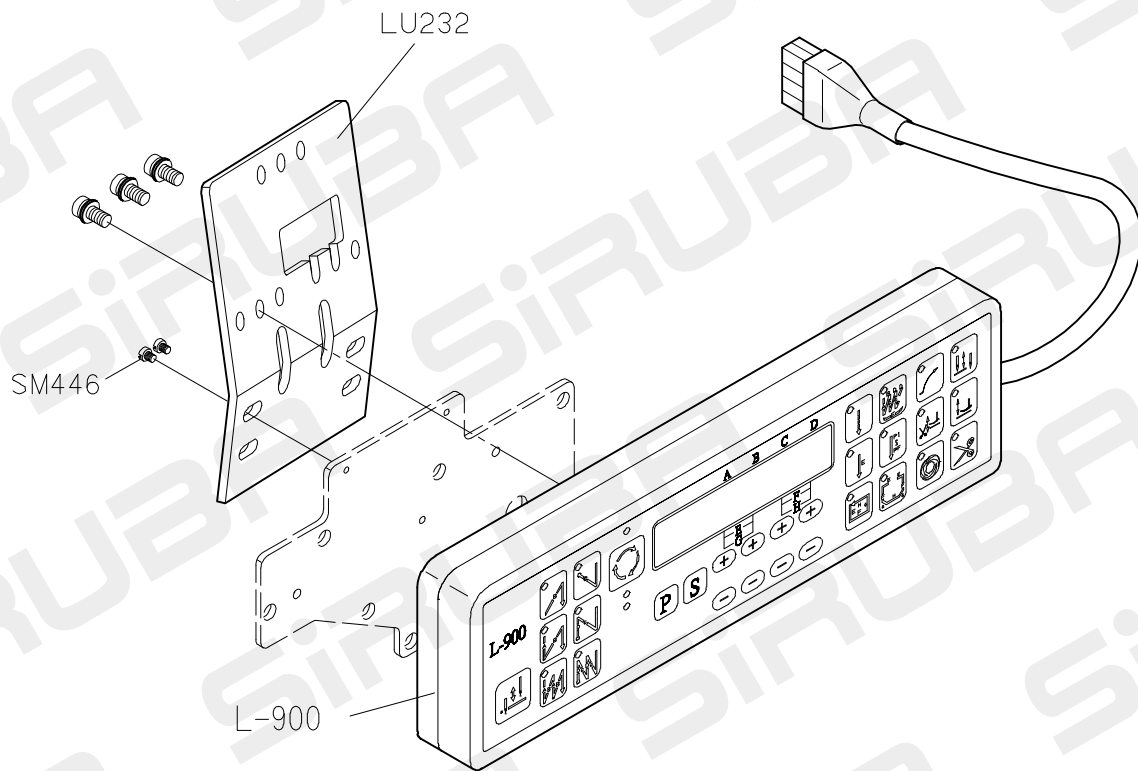
3

4

5

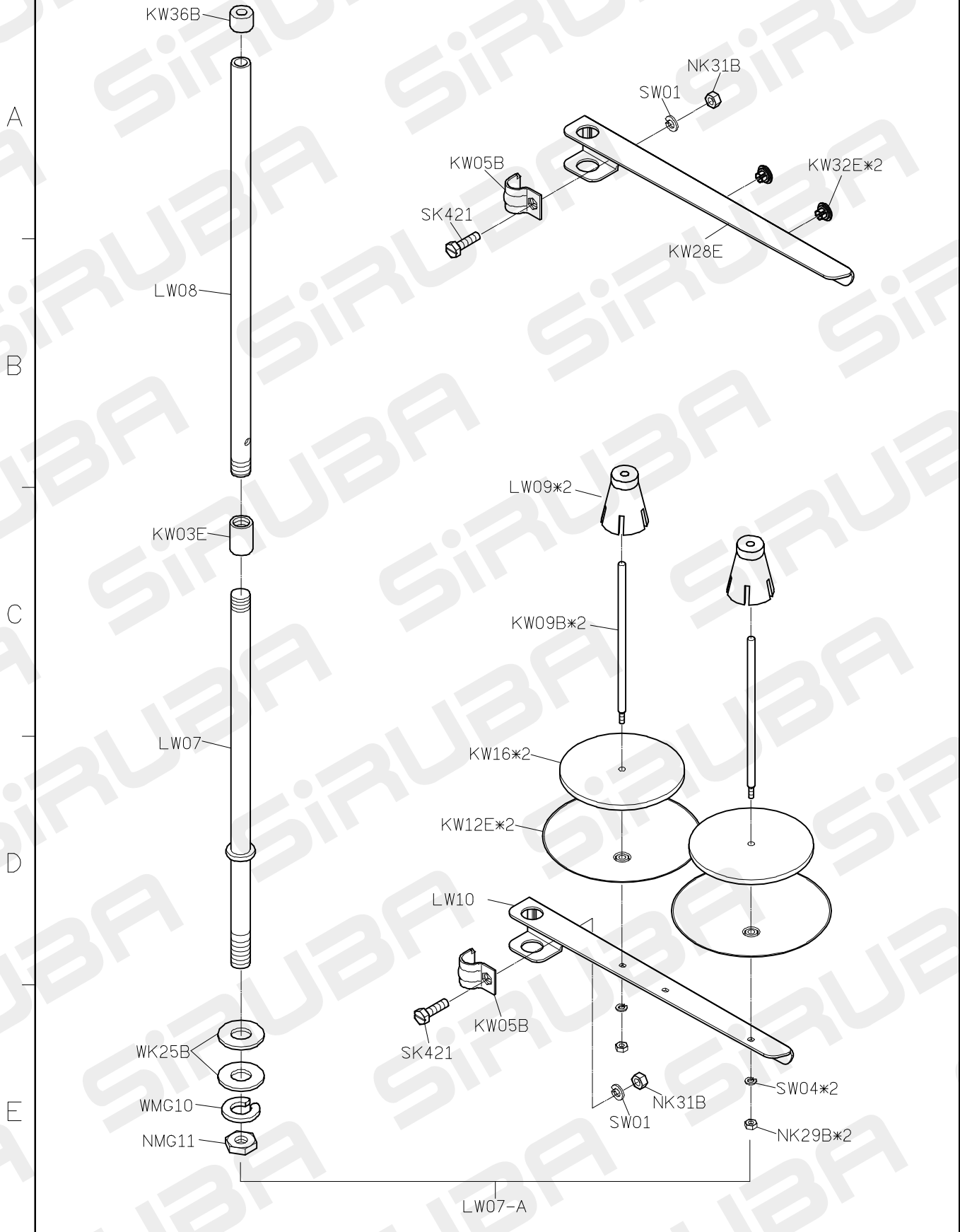
PARTS LIST FOR LU GROUP One-touch type reverse Feed 系列圖 6

A
B
C
D
E

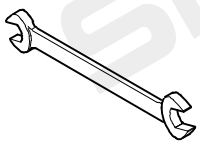

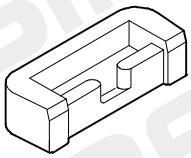
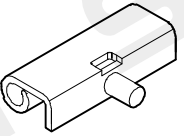

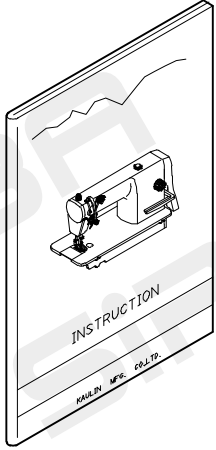
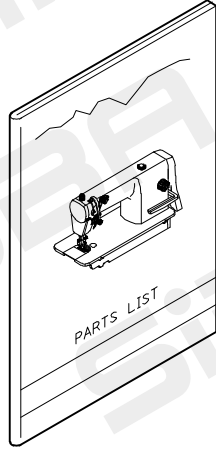
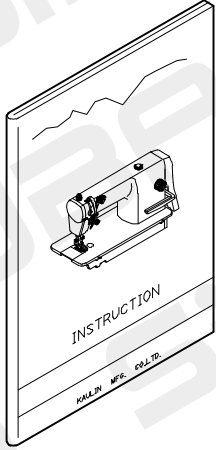
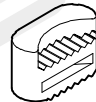



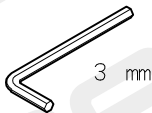

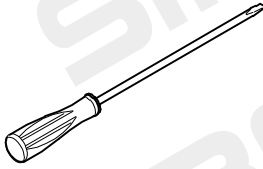
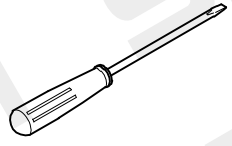
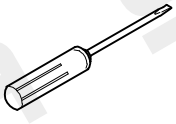



註：此部份置於配件箱內

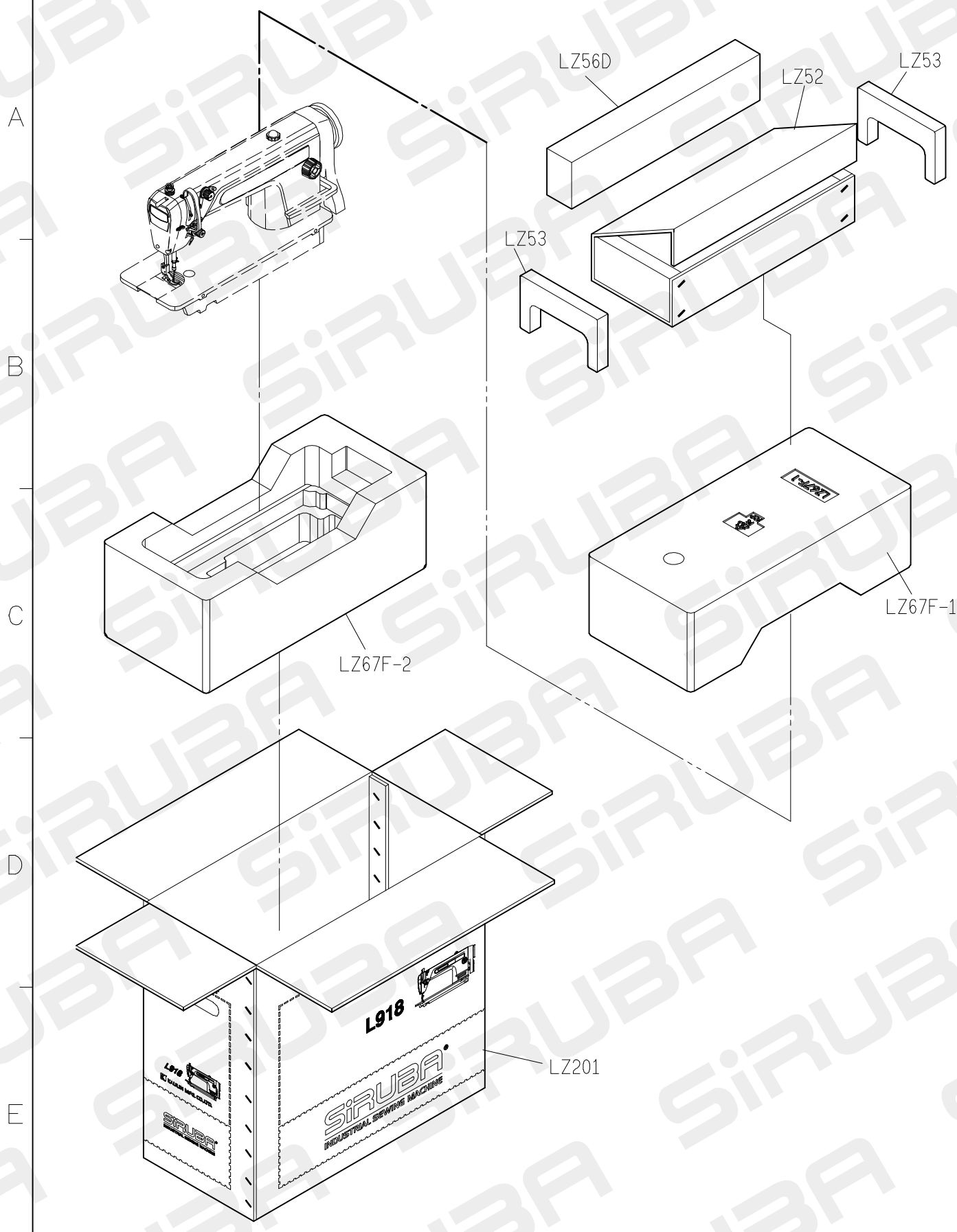
PARTS LIST FOR THREAD STAND GROUP 系列圖 1



PARTS LIST FOR LY ACCESSORY 系列圖 1

| | | | | | |
|---|---|--|--|--|---|
| A | <p>LY01</p>  | <p>LY02</p>  | <p>YM04*2</p>  | <p>LY05*2</p>  | <p>YM102*2</p>  |
| B | <p>LY219</p>  | <p>LY225</p>  | <p>LY200</p>  | | <p>YM103*2</p>  |
| C | | | | | <p>G3XX*2</p>  |
| D | <p>針*2</p>  | <p>KY201</p>  | <p>MY11</p>  <p>3 mm</p> | | <p>KZ03*1</p>  |
| E | <p>LY33</p>  | <p>LY34</p>  | <p>LY35</p>  | | <p>LY37-A</p>  |

PARTS LIST FOR LZ GROUP 系列圖 1



1

2

3

4

5

TABLE CUT-OUT OF L918-T1

單針高速平縫下乘式車板圖

TABLE CUT-OUT SEMI-SUBMERGED

單位/UNIT:mm

所有尺寸公差/DIFFERENCE:±2

L918-T1-1070 長度(L):1070/重量:10kg±5%

L918-T1 長度(L):1200/重量:11.4kg±5%

全封邊灰格紋光塑面台板

