

SIRUBA[®]

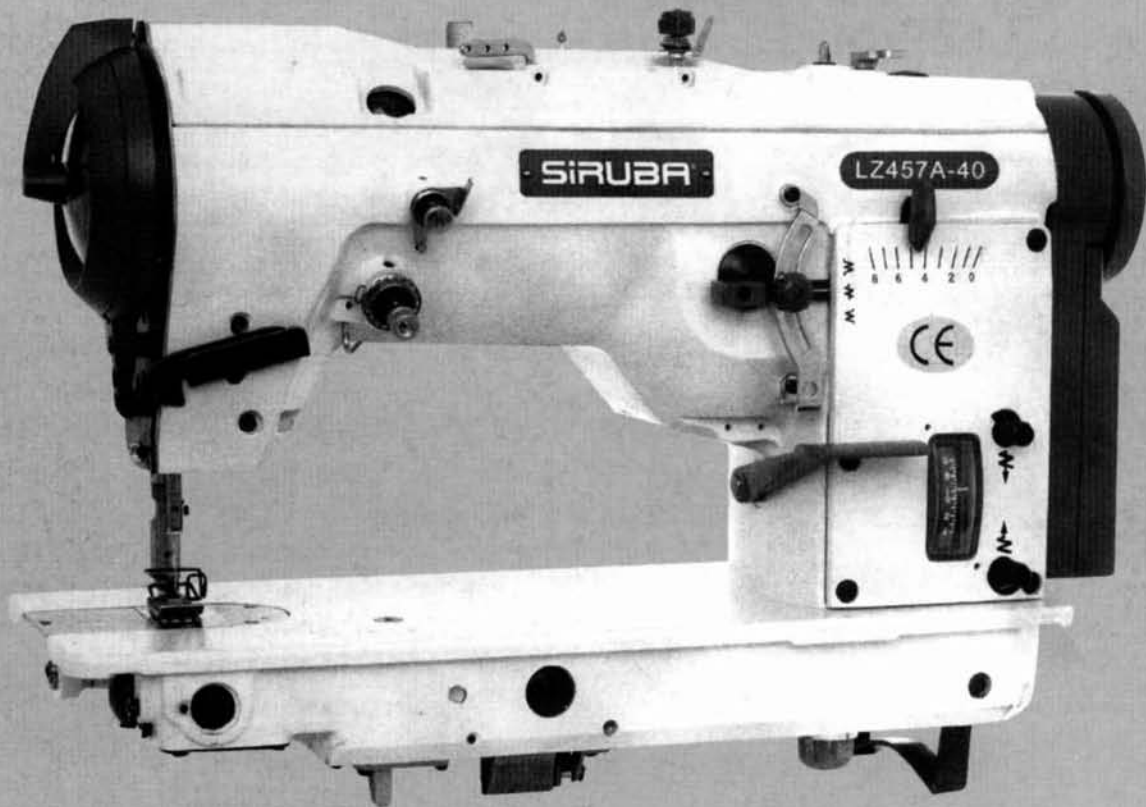
銀箭牌工業用縫紉機

INDUSTRIAL SEWING MACHINE

LZ457A

使用說明與零件圖

INSTRUCTION AND PARTS LIST

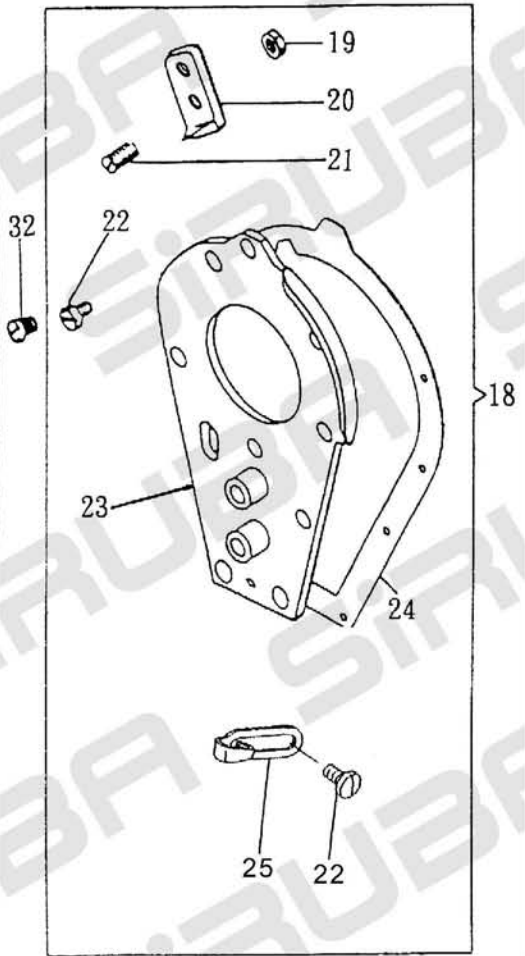
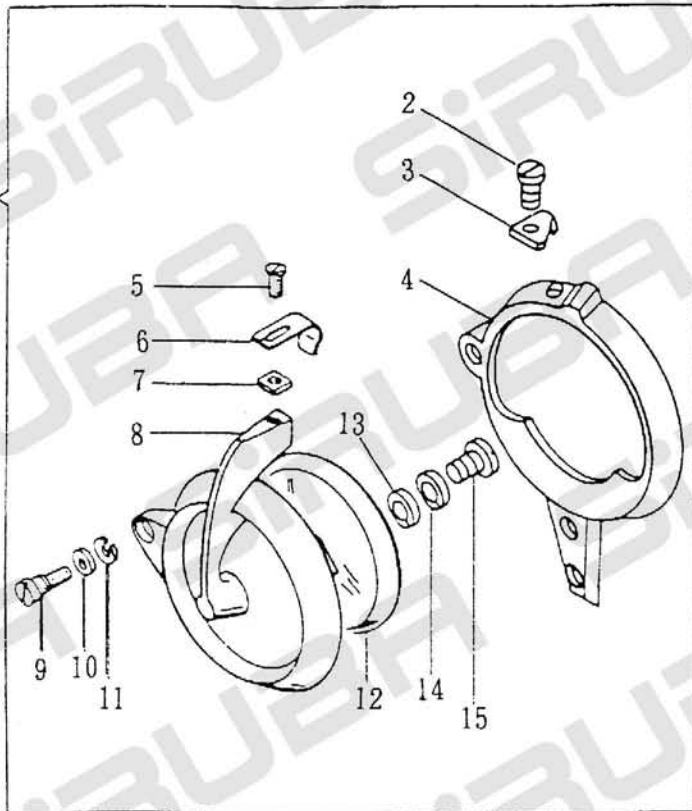


高林股份有限公司
KAULIN MFG. CO., LTD.

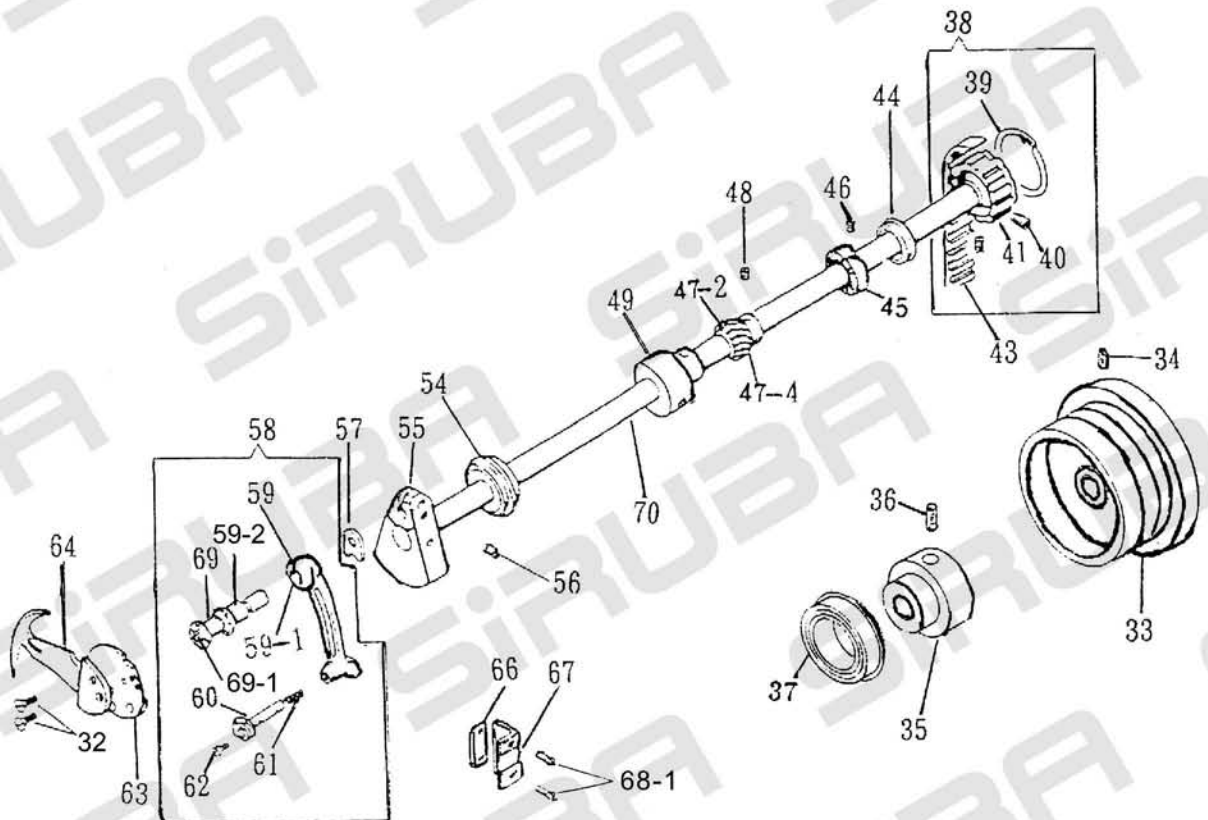
CONTENTS

| | | |
|------|--|----|
| F1. | ROTARY TAKE-UP GUARD, FACE PLATE | 1 |
| F1. | ARM SHAFT ,ROTARY TAKE-UP | 1 |
| F2. | TENSION RELEASER ,KNEE LIFTER ROCK FRAME | 2 |
| F2. | PRESSER BAR ,THROAT PLATE ,FEED DOG | 2 |
| F3. | NEEDLE BAR YOKE ,NEEDLE | 3 |
| F3. | NEEDLE BAR CONNECTING LINK (FOR 105/125) | 3 |
| F4. | NEEDLE BAR CONNECTING LINK (FOR 135/140) | 4 |
| F4. | NEEDLE BAR CONNECTING LINK (FOR 143) | 4 |
| F5. | NEEDLE VIBRATING YOKECONNECTING LINK CARRIER FRAME (FOR 105/125/135/140) | 5 |
| F5. | NEEDLE VIBRATING YOKECONNECTING LINK CARRIER FRAME (FOR 143) | 5 |
| F6. | FEED REGURATING INDICATOR ,LINK | 6 |
| F6. | NEEDLE VIBRATING ADJUSTING BRACKET | 6 |
| F7. | ARM COVER (TOP) (ASSEMBLY) | 7 |
| F7. | PRETENSION ,TENSION | 7 |
| F8. | HOOK ,BOBBIN CASE | 8 |
| F8. | HOOK SHAFT ,BEVEL GEAR | 8 |
| F9. | FEED DRIVING CONNECTION ,CARRIER FRAME | 9 |
| F9. | FEED CONTROL CAM | 9 |
| F10. | FEED DRIVING ROCK SHAFT CRANK | 10 |
| F10. | BED SHAFT | 10 |
| F11. | ARM COVER (BACK) | 11 |
| F11. | OIL PUMP BODY | 11 |
| F12. | OIL RESERVOIR AND KNEE LIFTER | 12 |
| F12. | ACCESSORIES | 12 |
| F13. | BELT GUARD ,THREAD UNWINDER (2-SPOOL) | 13 |

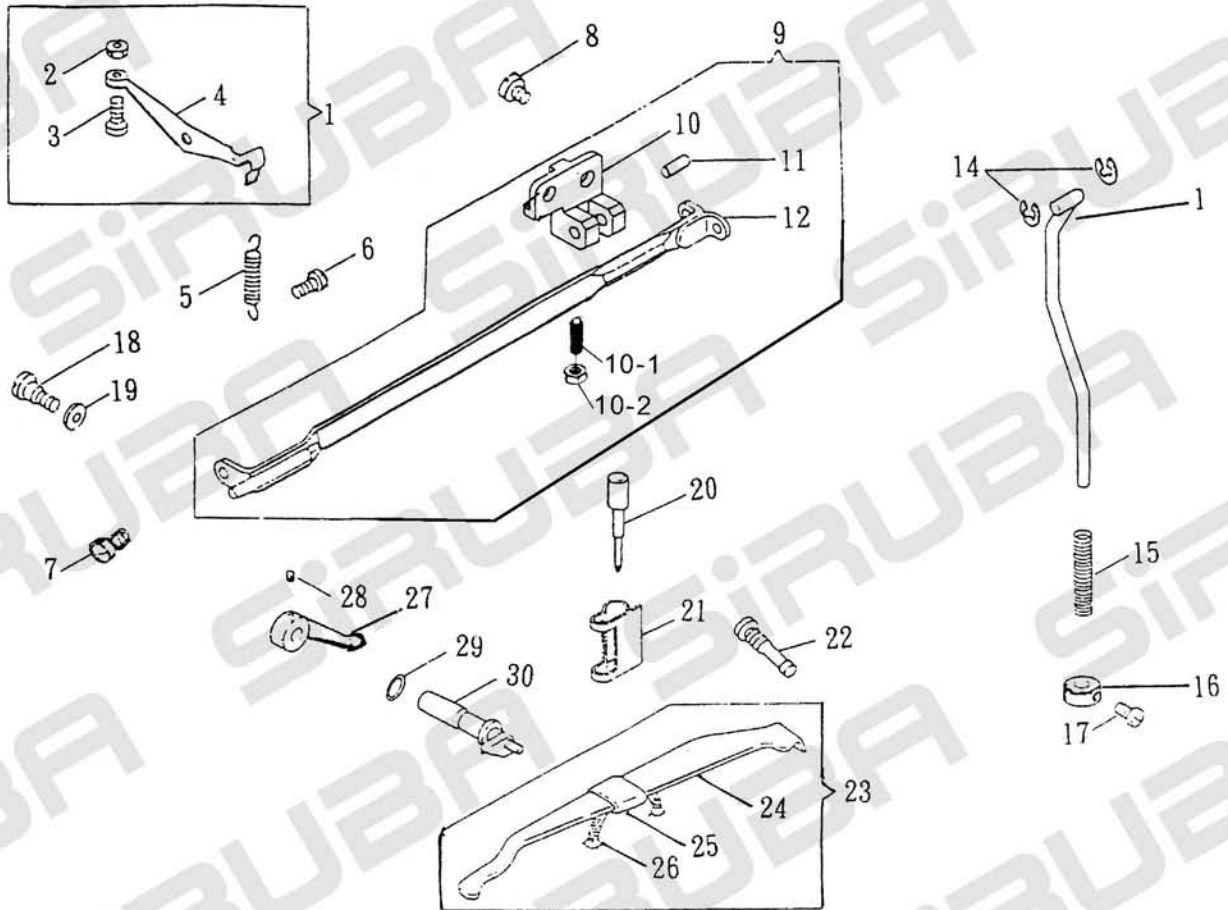
ROTARY TAKE-UP GUARD, FACE PLATE



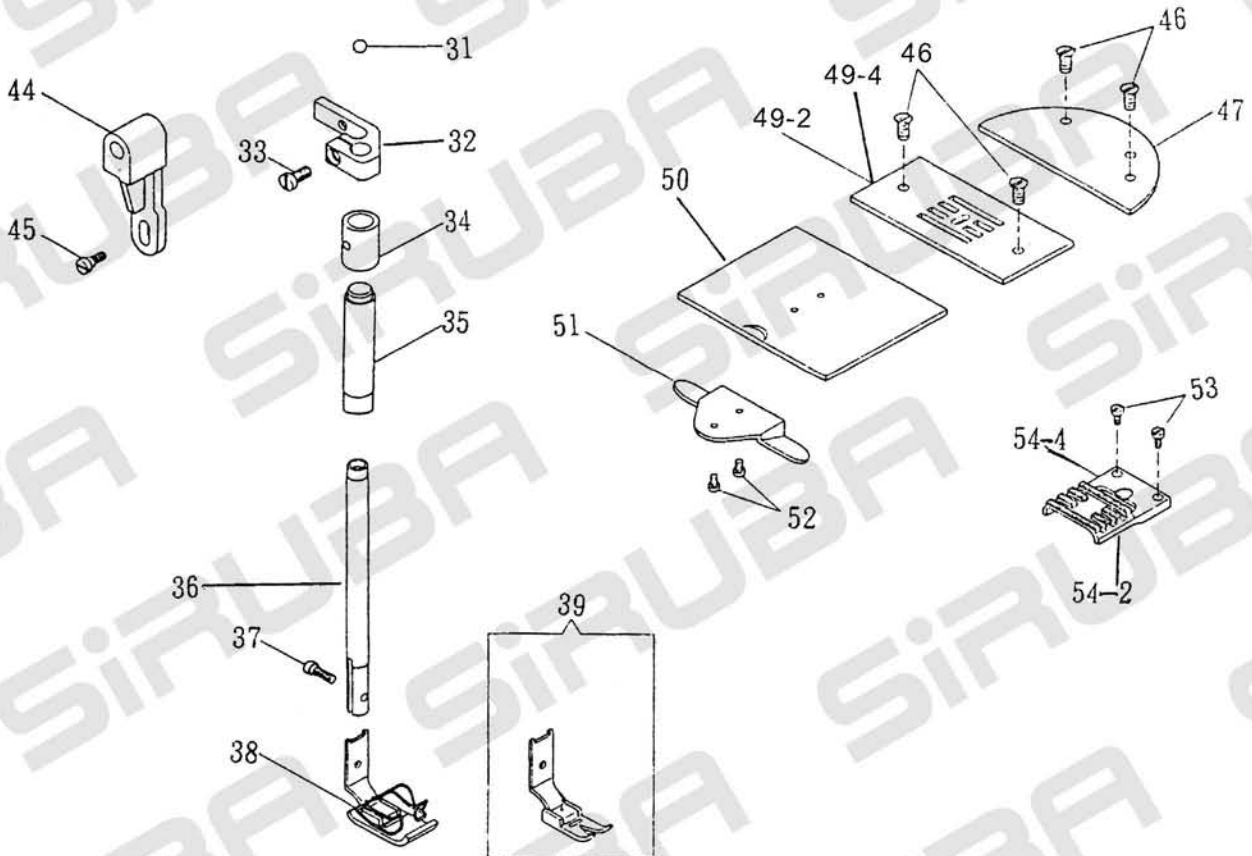
ARM SHAFT, ROTARY TAKE-UP



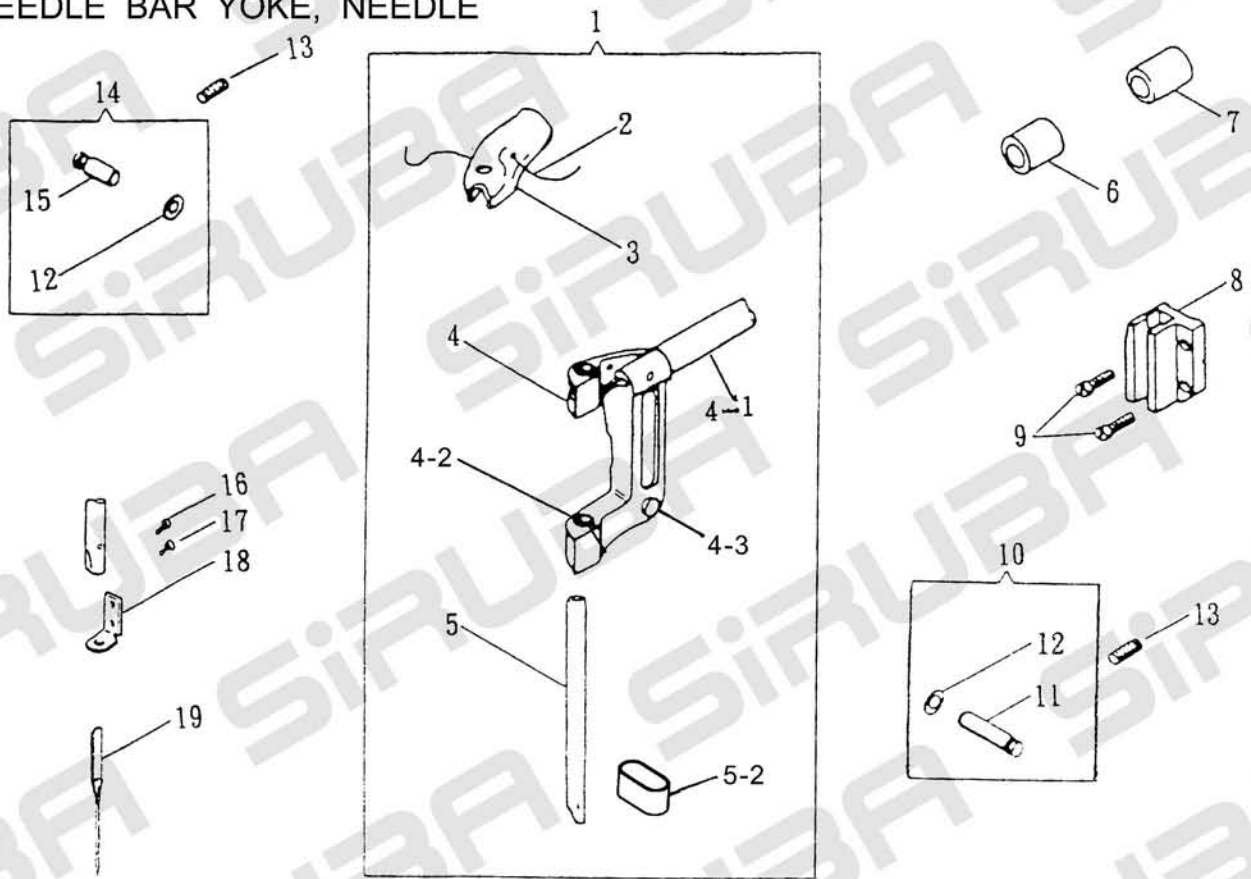
TENSION RELEASER, KNEE LIFTER ROCK FRAME



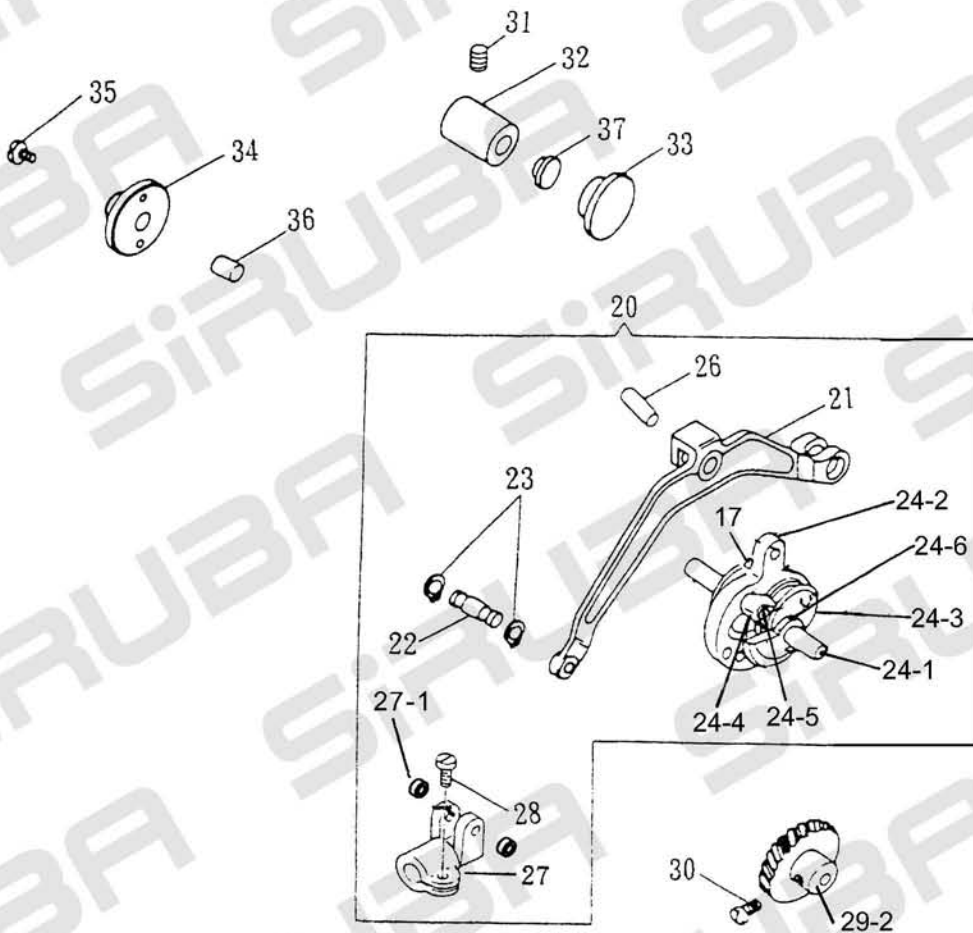
PRESSER BAR, THROAT PLATE, FEED DOG



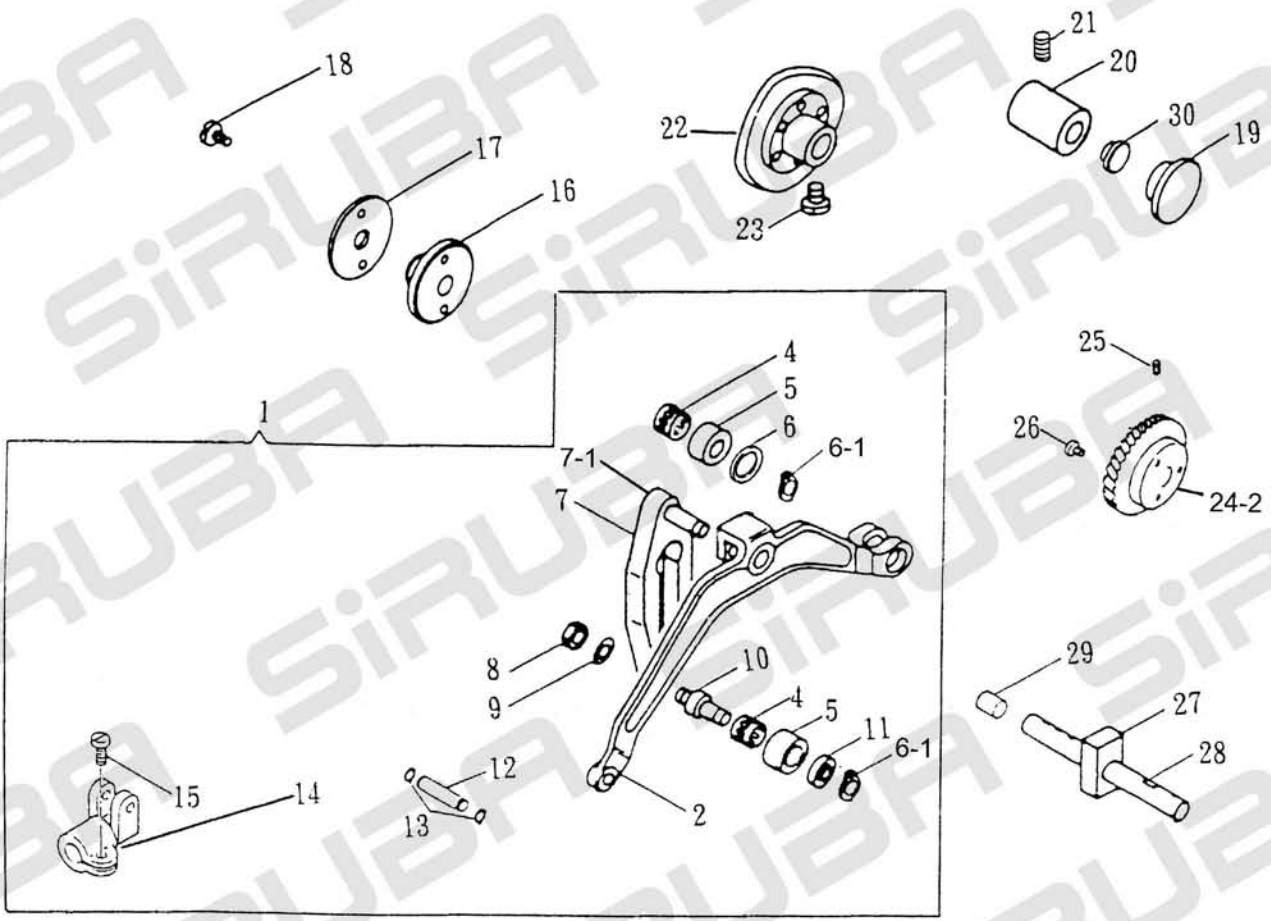
NEEDLE BAR YOKE, NEEDLE



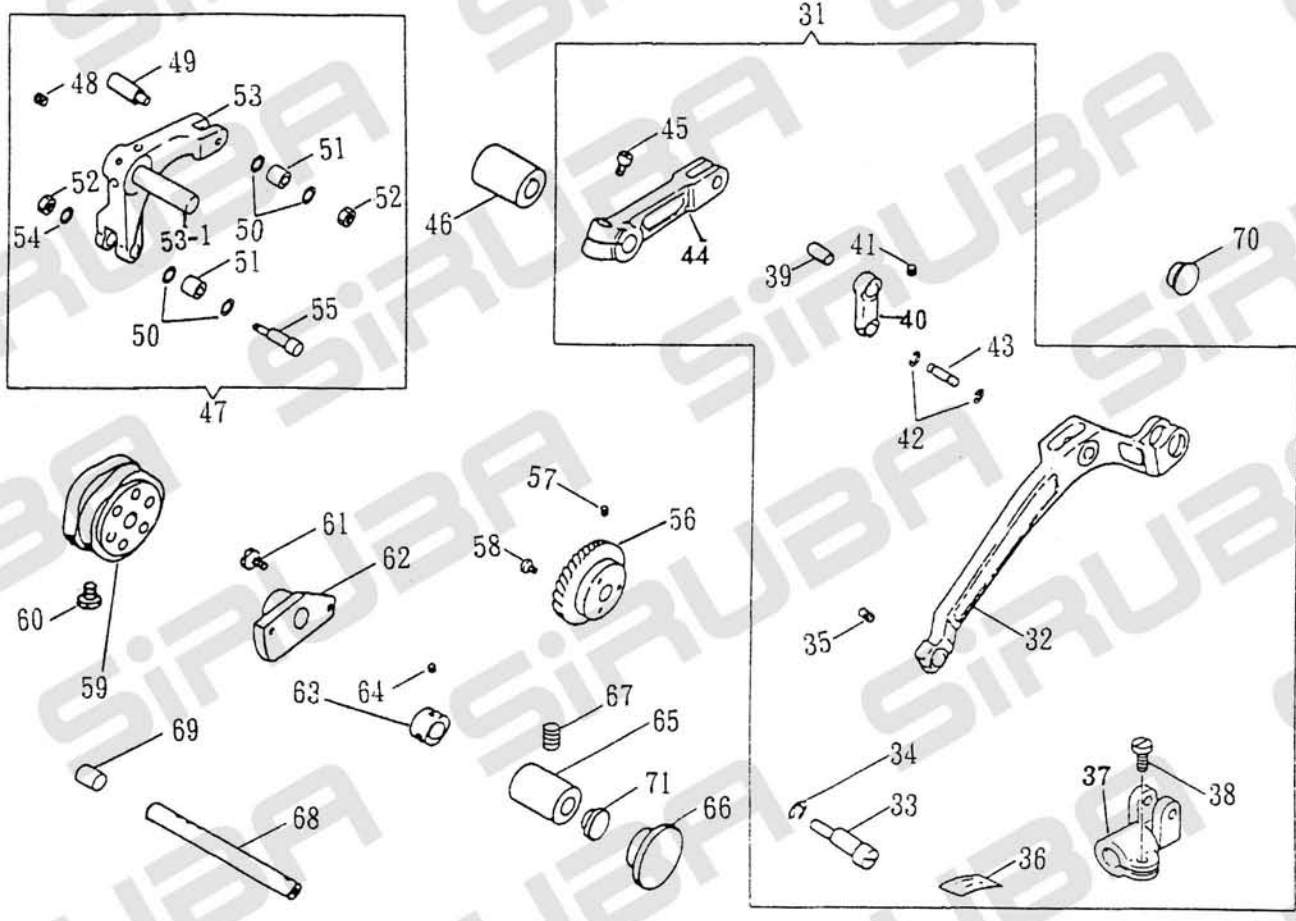
NEEDLE BAR CONNECTING LINK (FOR 105/125)



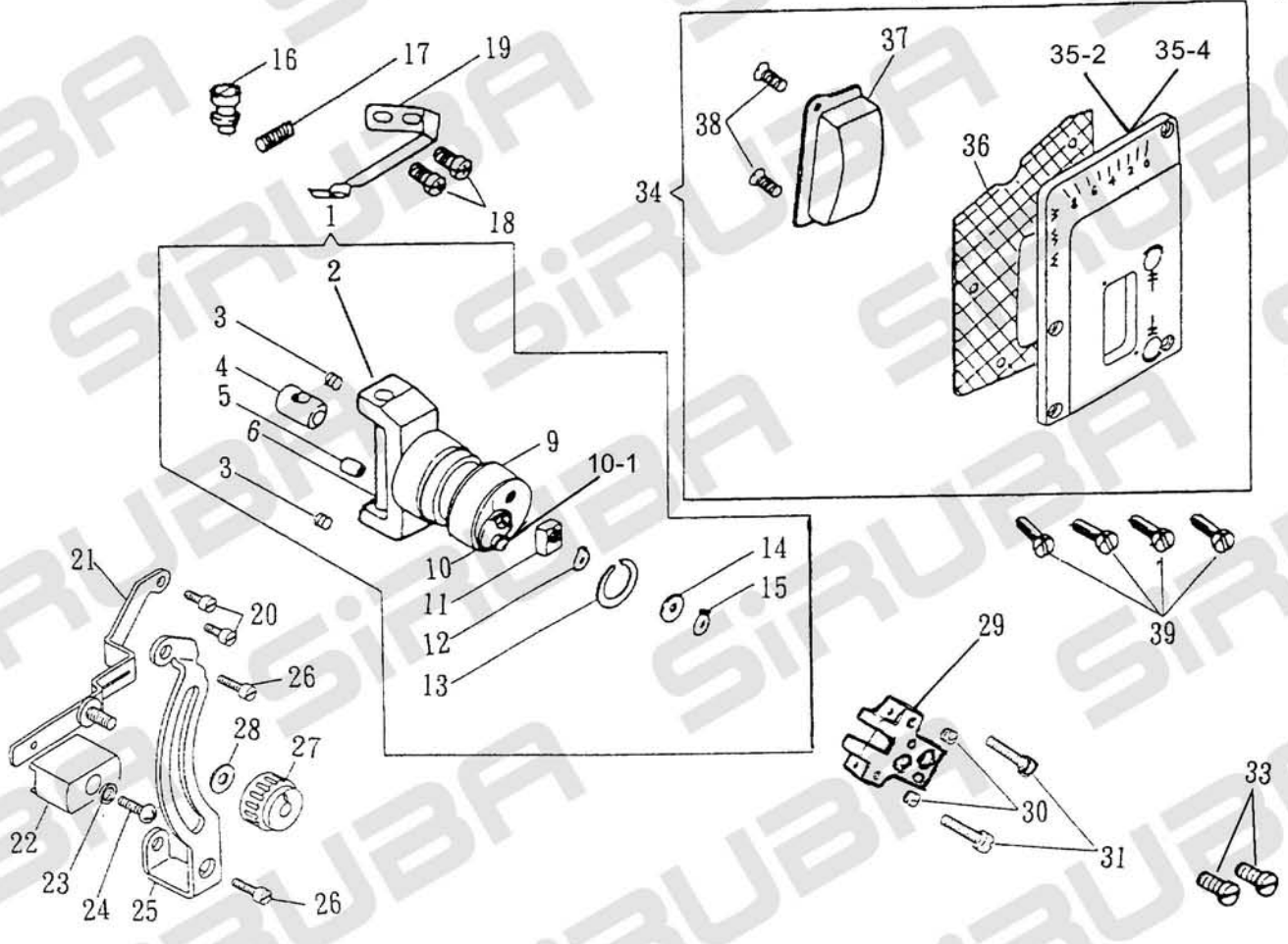
NEEDLE BAR CONNECTING LINK (FOR 135/140)



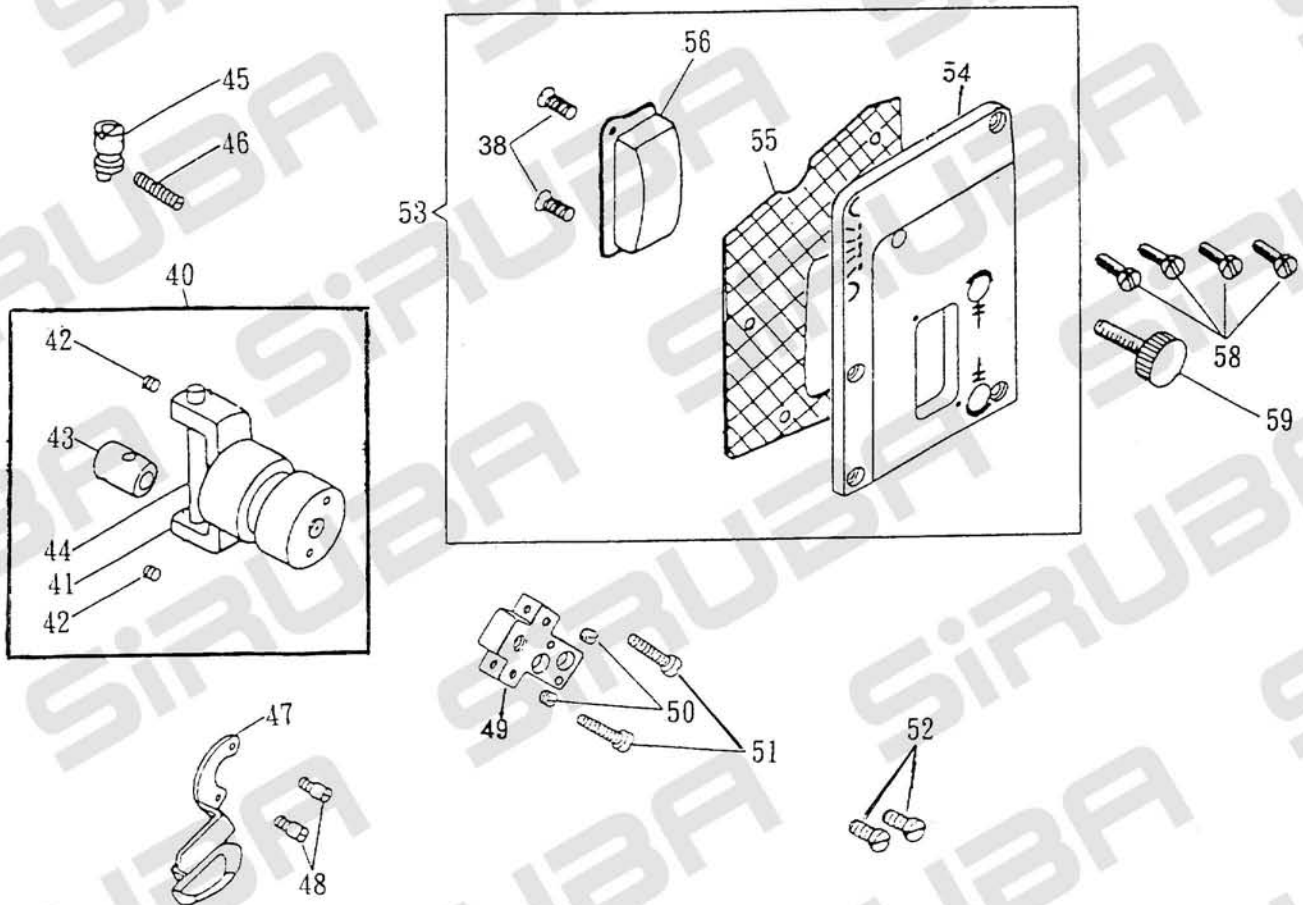
(143用)



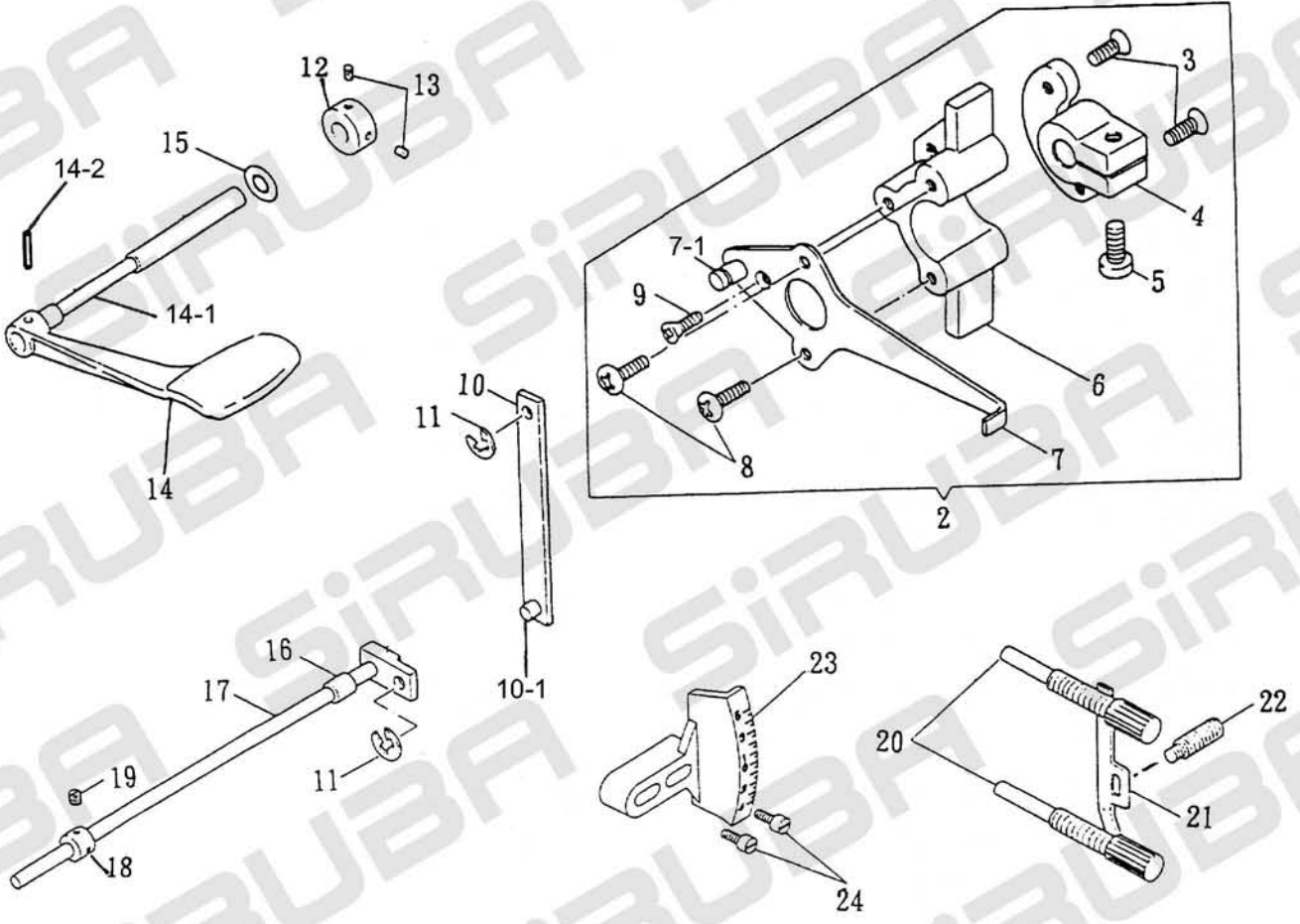
NEEDLE VIBRATING YOKE CONNECTING LINK CARRIER FRAME (CPL.) (FOR 105/125/135/140)



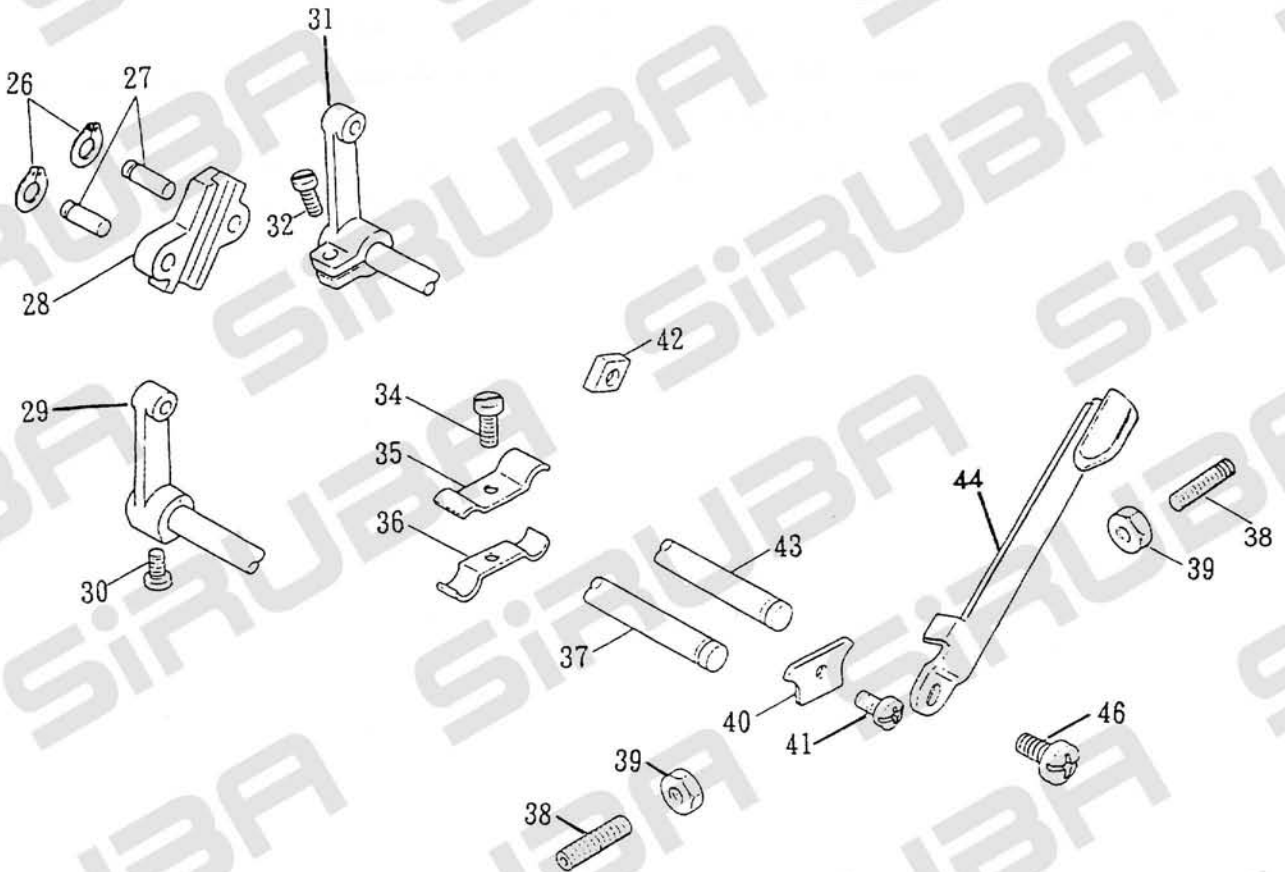
(143用)



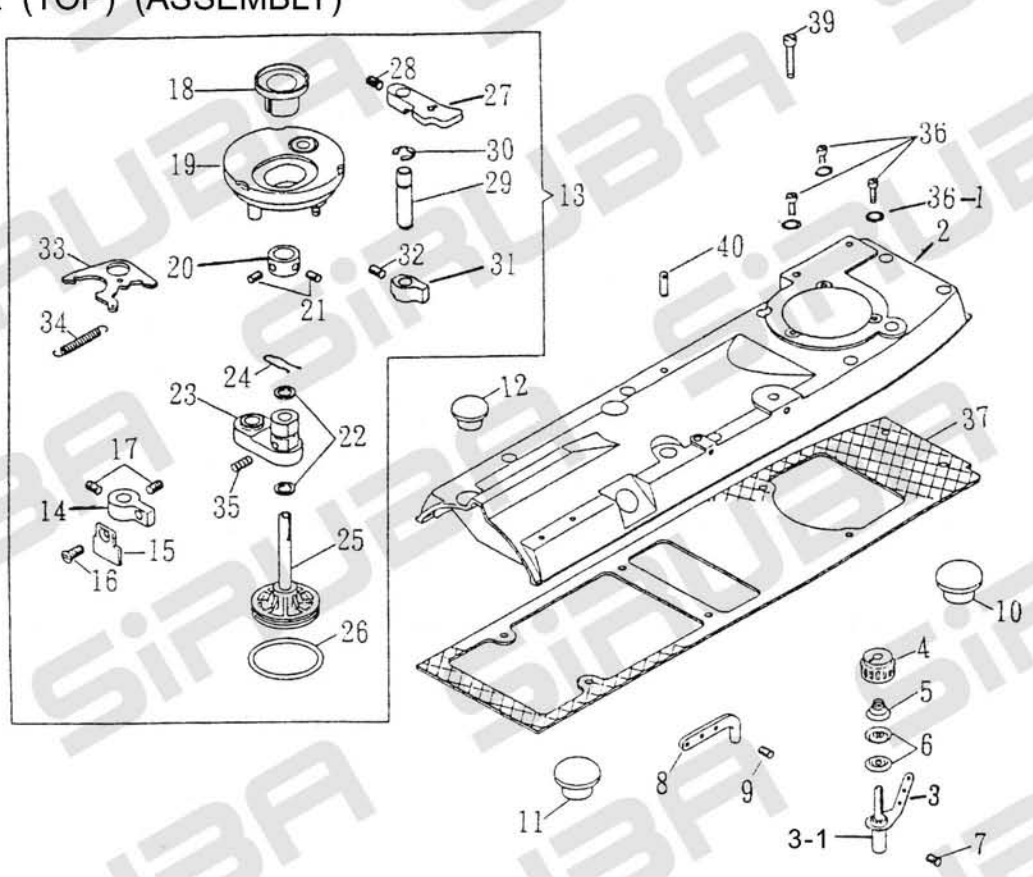
FEED REGULATING INDICATOR, LINK



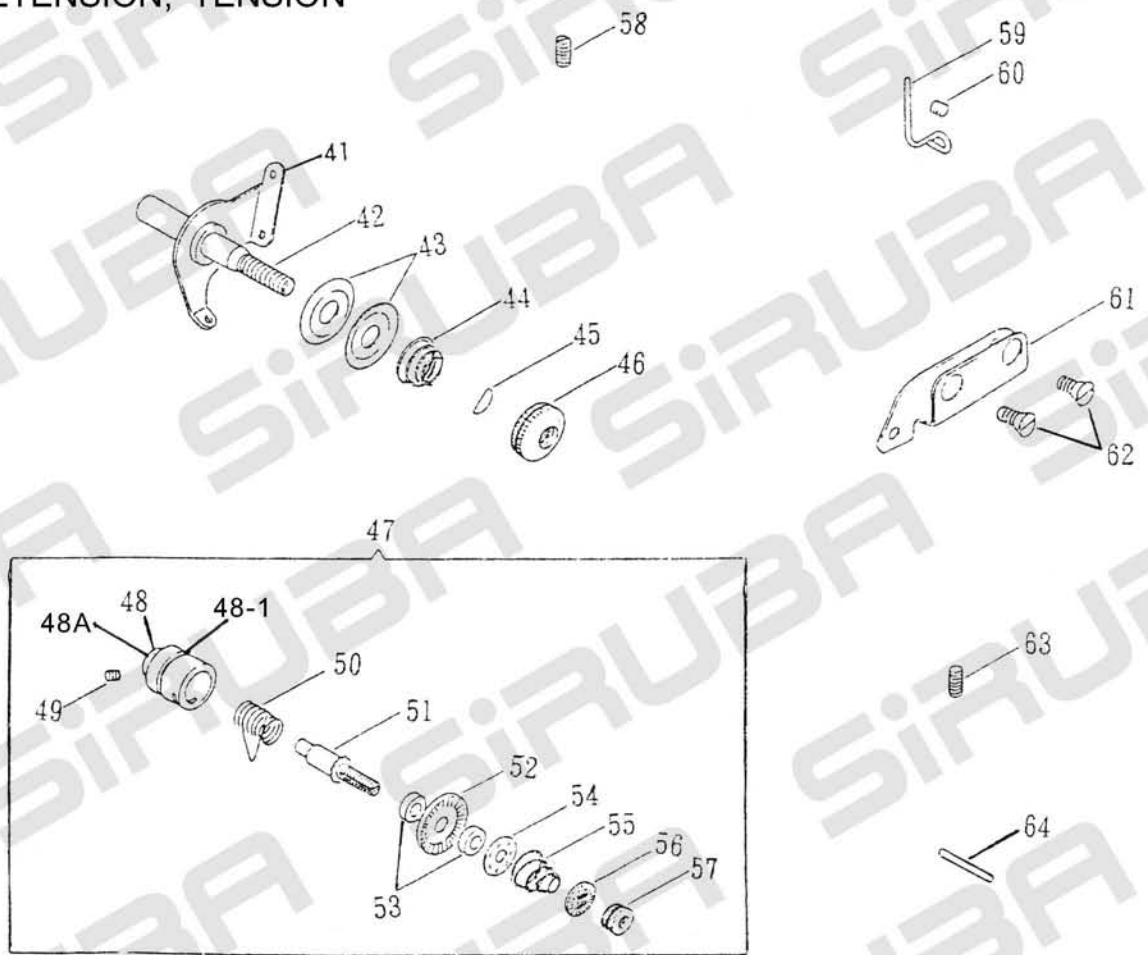
NEEDLE VIBRATING ADJUSTING BRACKET



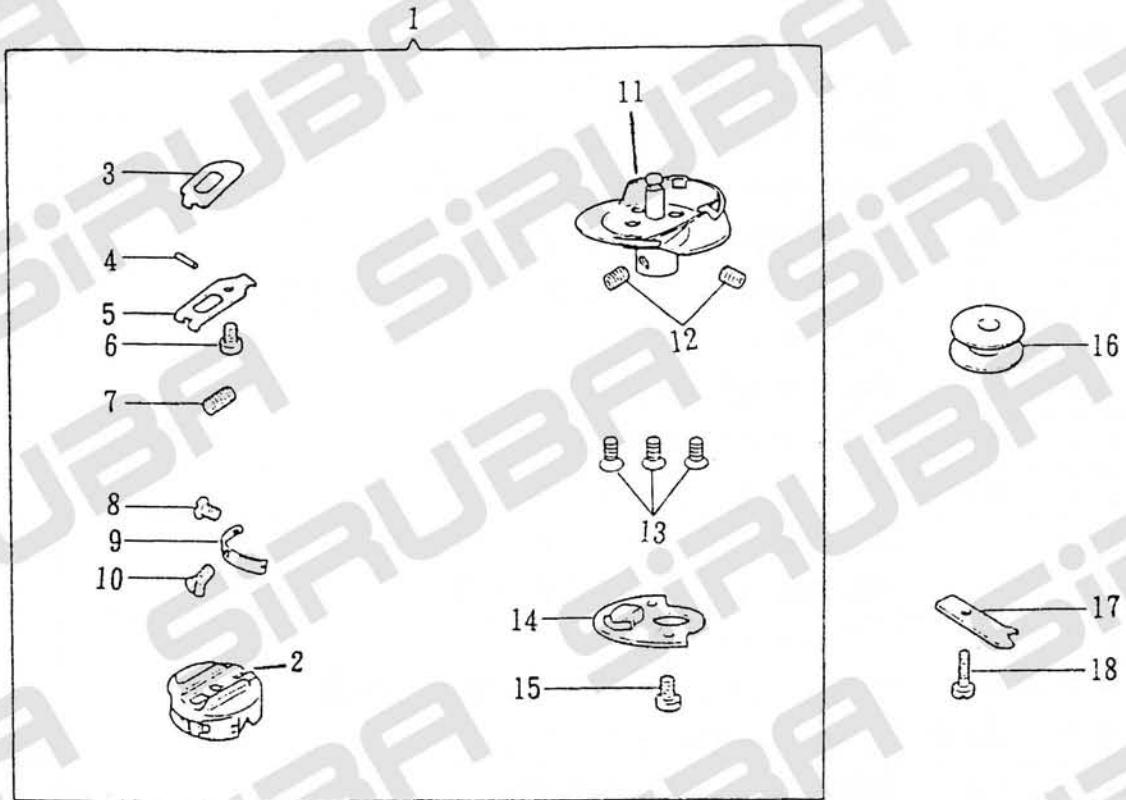
ARM COVER (TOP) (ASSEMBLY)



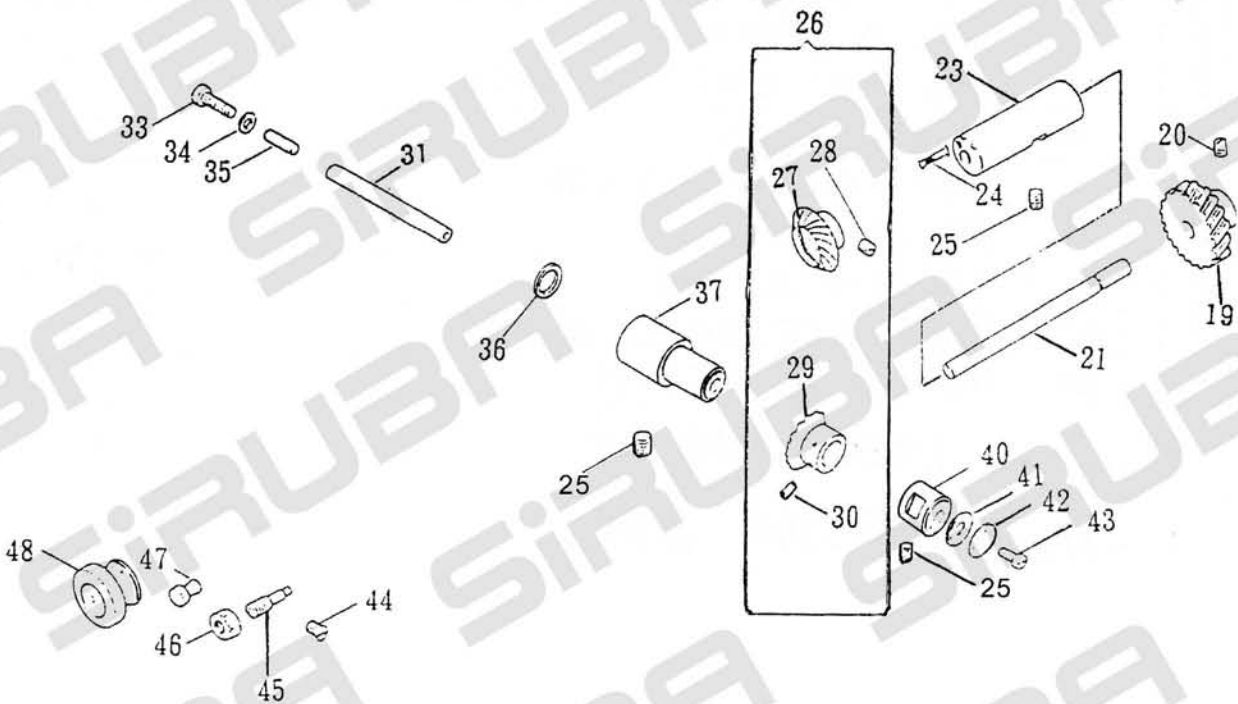
PRETENSION, TENSION



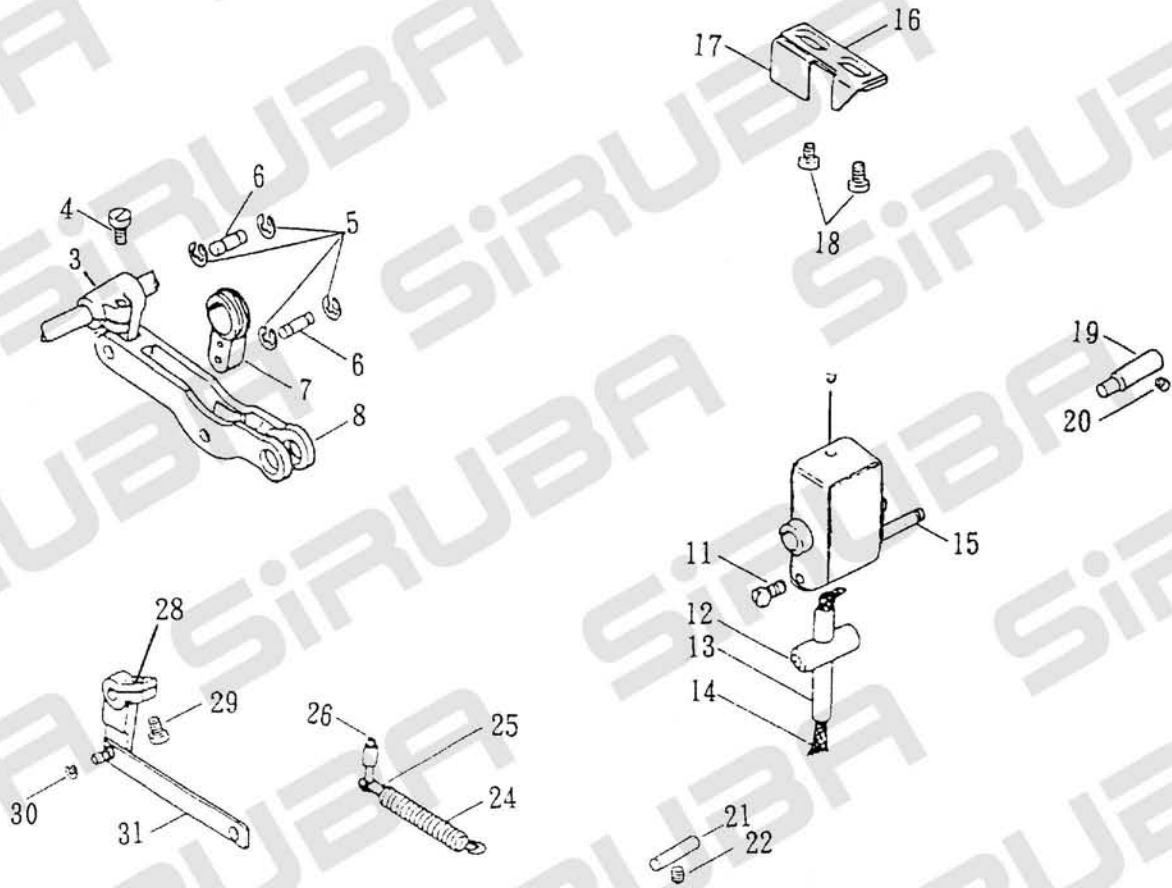
HOOK, BOBBIN CASE



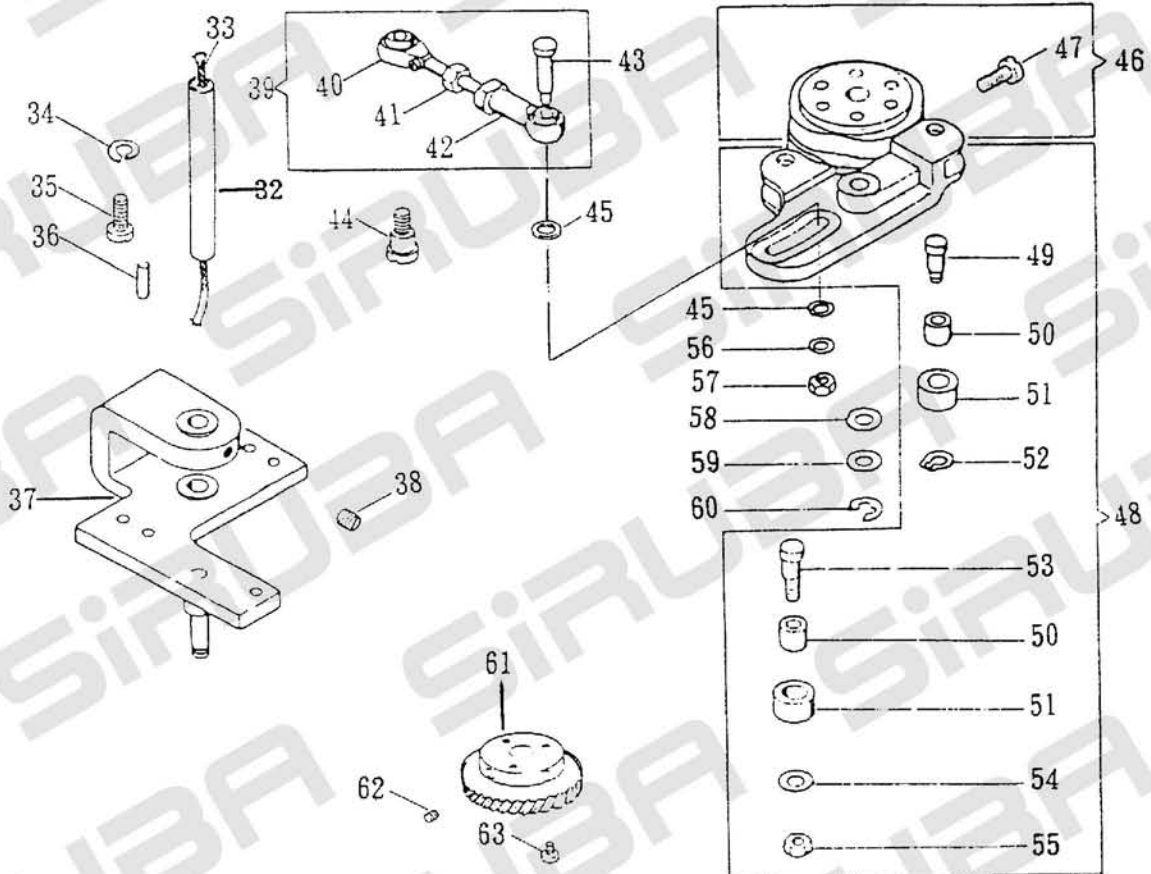
HOOK SHAFT BEVEL GEAR



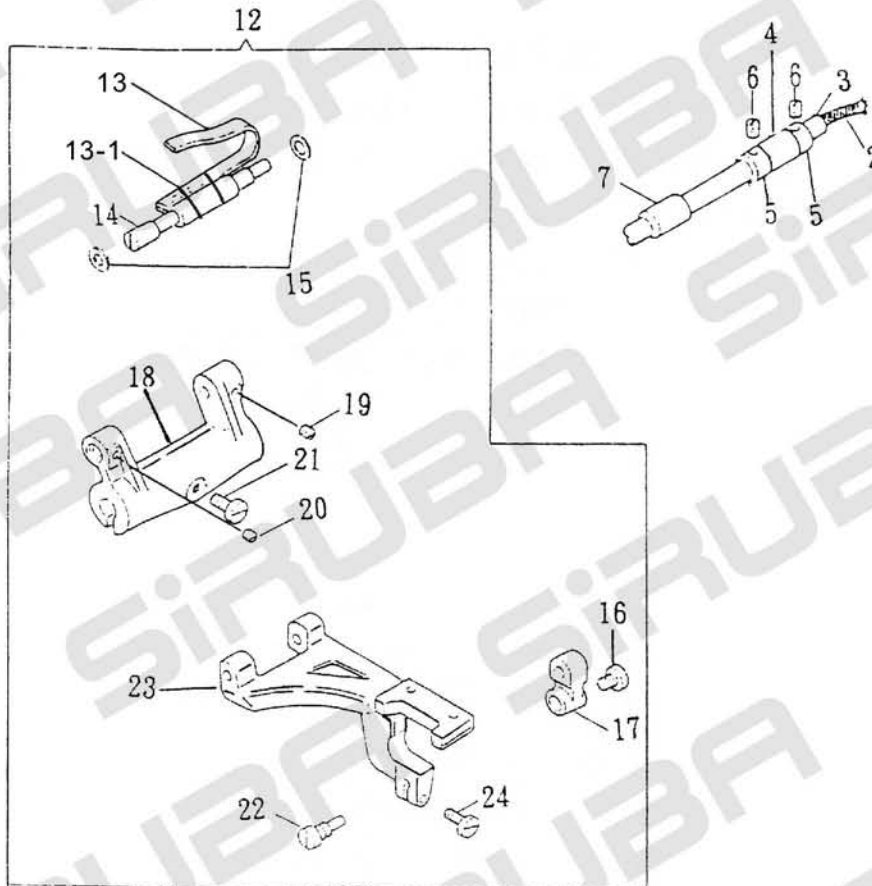
FEED DRIVING CONNECTION, CARRIER FRAME



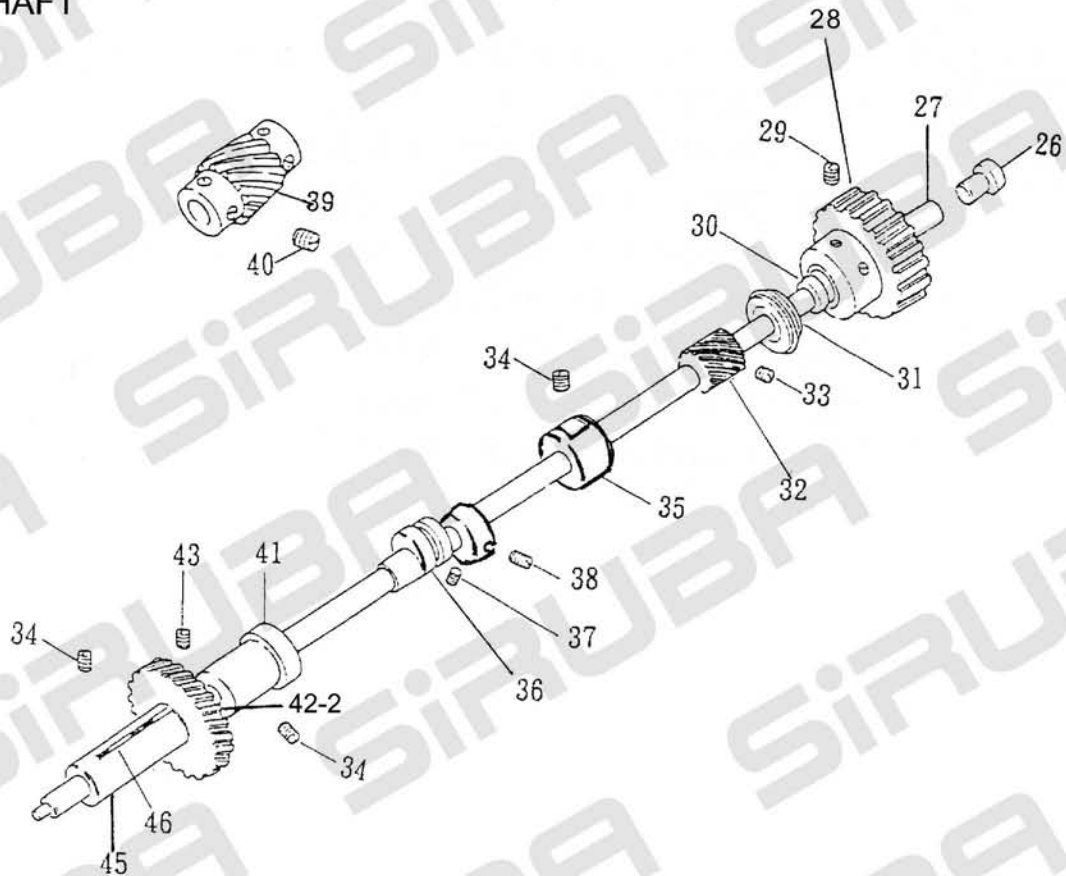
FEED CONTROL CAM (143用)



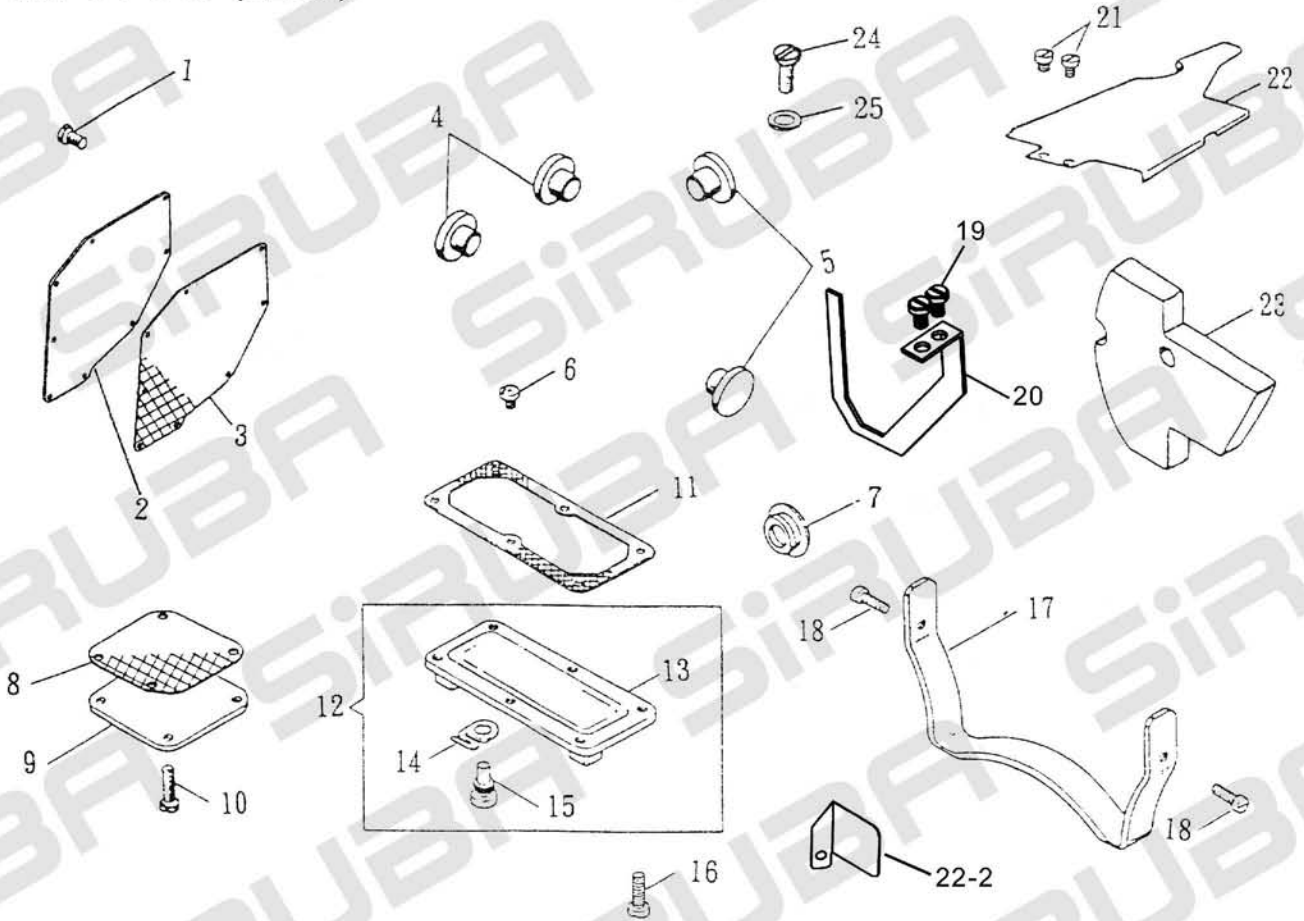
FEED DRIVING ROCK SHAFT CRANK



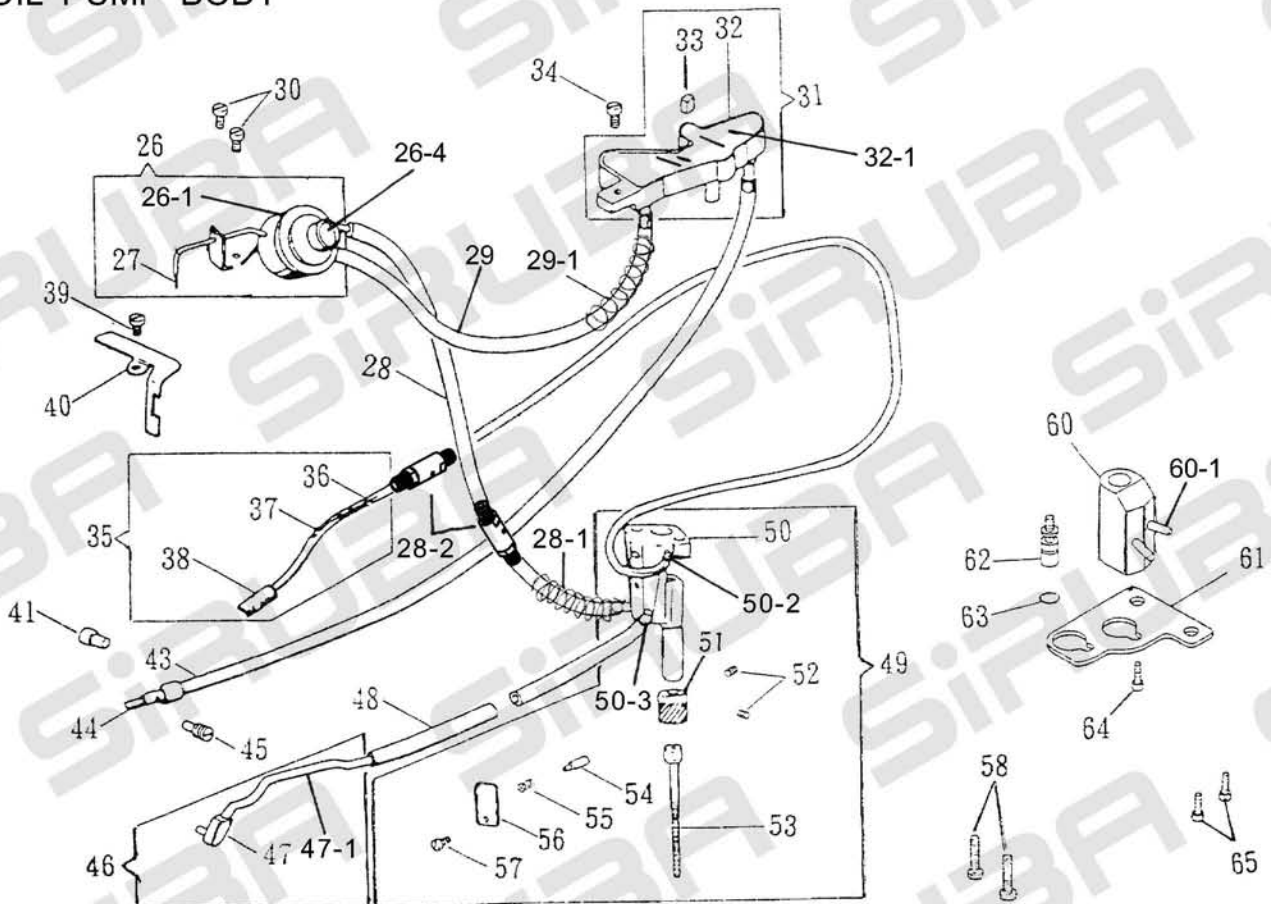
BED SHAFT



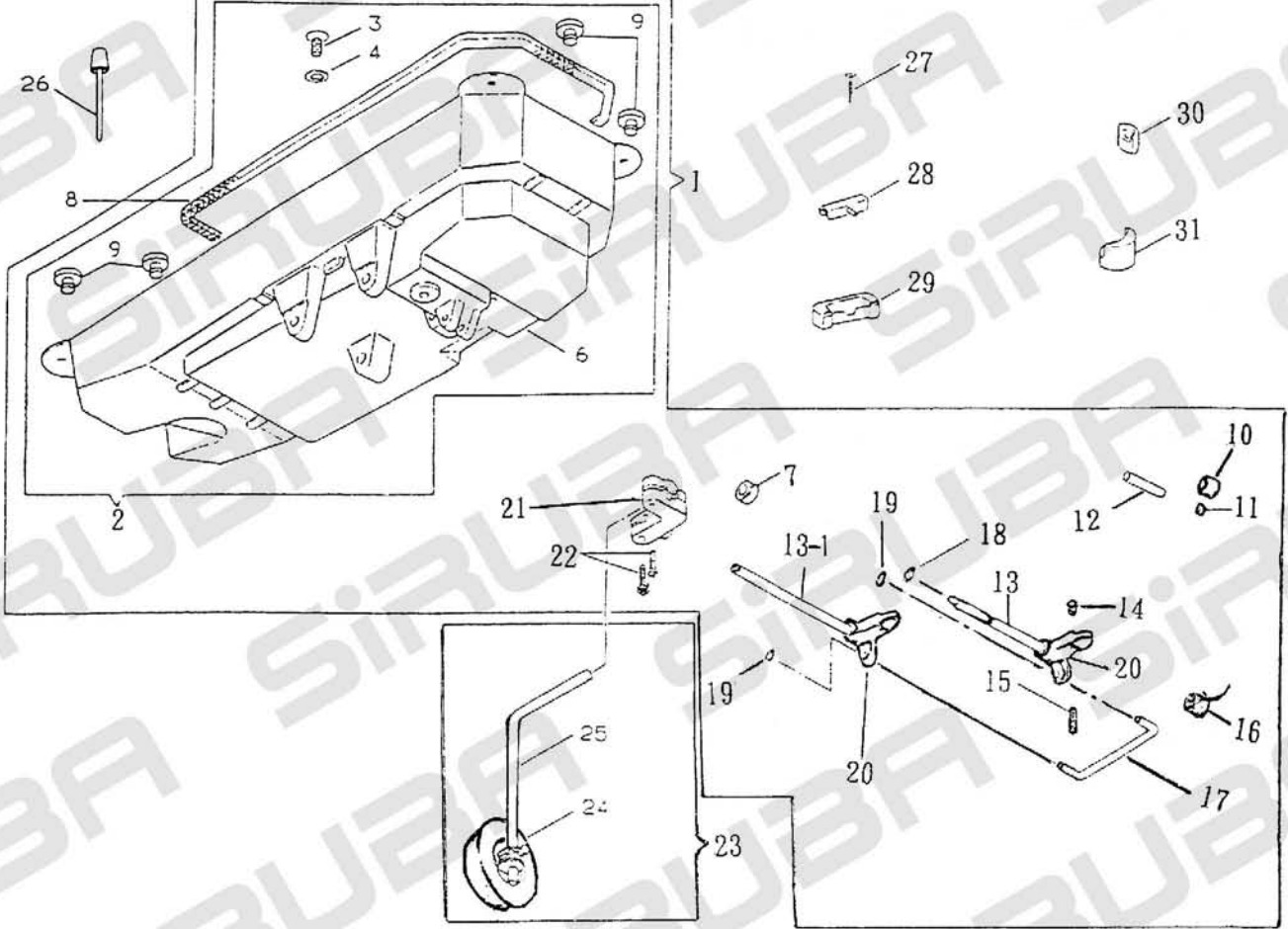
ARM COVER (BACK)



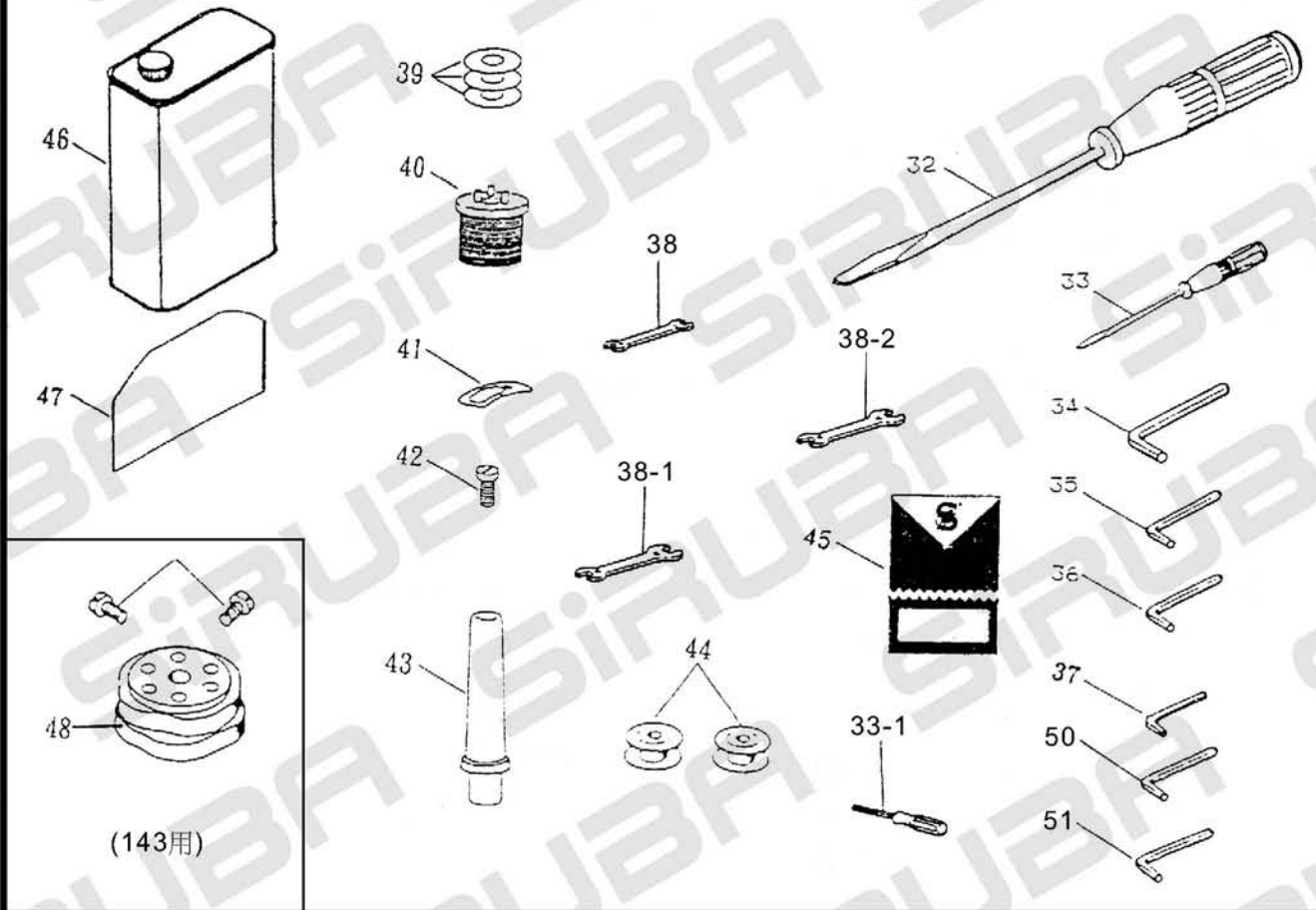
OIL PUMP BODY



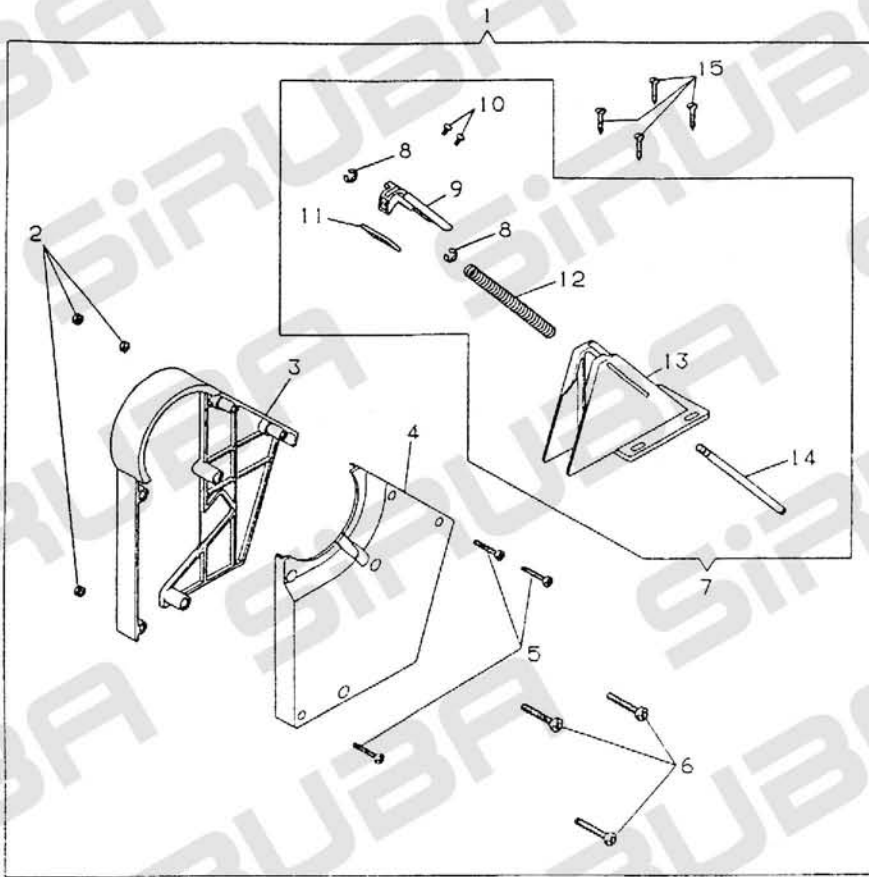
OIL RESERVOIR AND KNEE FILTER



ACCESSORIES



BELT GUARD, THREAD UNWINDER (2-SPOOL)



OPTION 1

