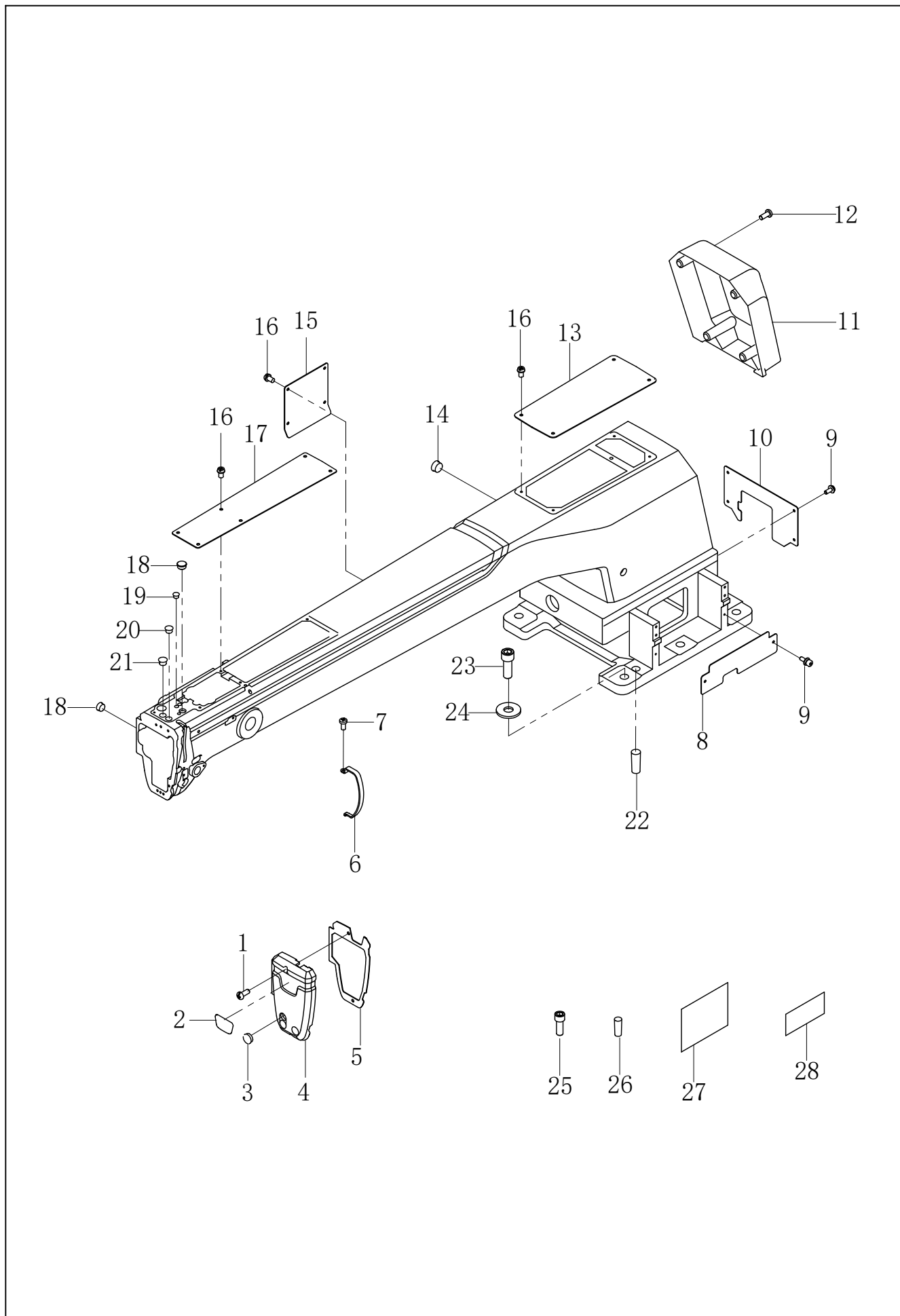


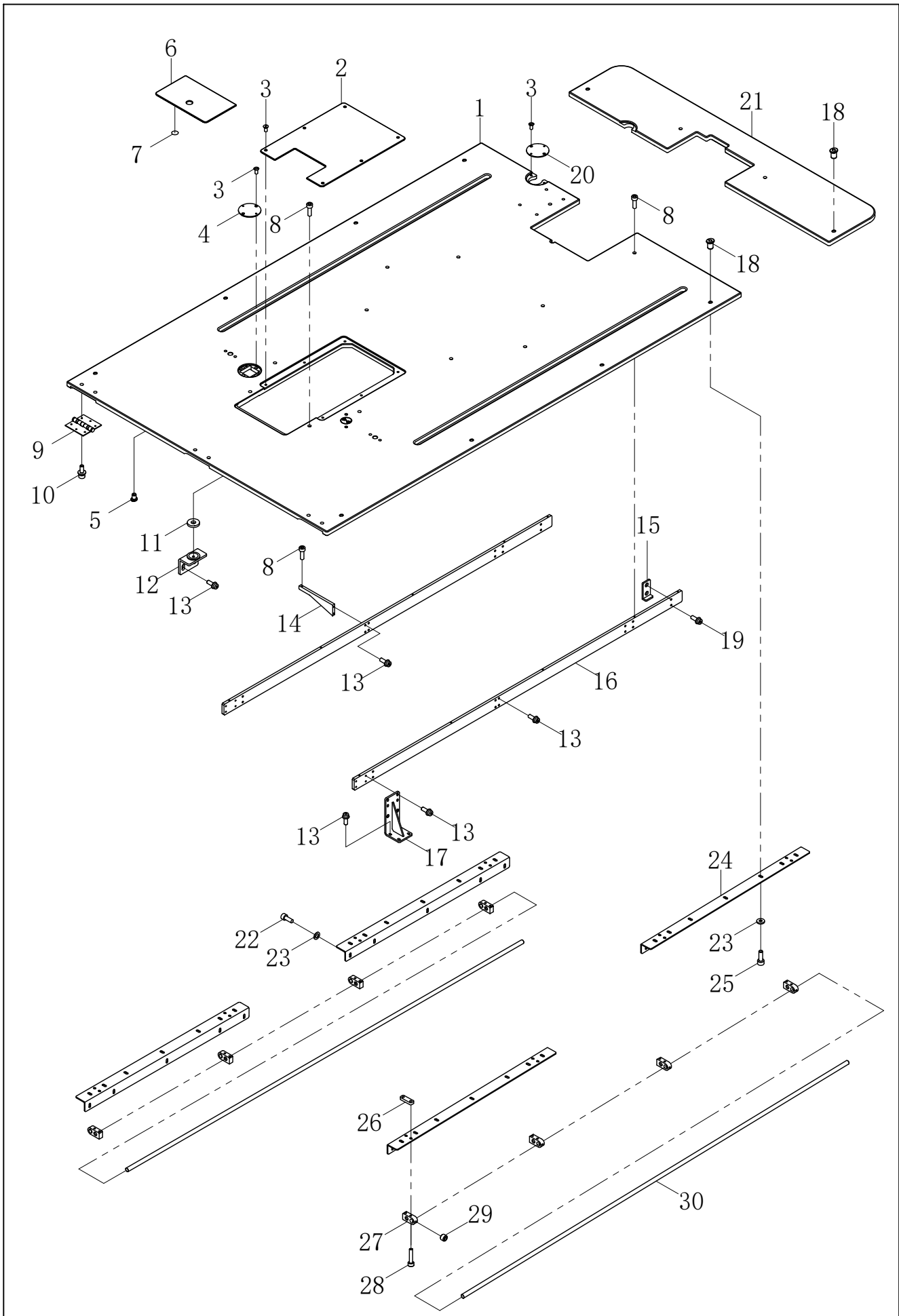
# A1、机体部分 / Machine body



### A1、机体部分 / Machine body

| 序号<br>No. | 件号<br>Part. No. | 零部件名称        | NAME OF PARTS                           | 数量<br>Amt. | 备注        |
|-----------|-----------------|--------------|---|------------|-----------|
| 1         | S04029          | 螺钉M5×12      | Screw M5×12                             | 2          |           |
| 2         | 14437001        | 商标牌          | Trademark                               | 1          |           |
| 2         | 114437002       | 商标牌B         | Trademark B                             | 1          | B         |
| 3         | 41722004        | 橡皮塞15.5      | Rubber plug 15.5                        | 3          |           |
| 4         | 930000297       | 面板           | panel                                   | 1          | 142001001 |
| 5         | 142022001       | 面板垫片         | Panel gasket                            | 1          |           |
| 6         | 930000686       | 挑线杆防护罩       | Thread take-up protective cover         | 1          | 142012159 |
| 7         | S04078          | 螺钉M4×8       | Screw M4×8                              | 1          |           |
| 8         | 930000443       | 机头底座侧盖板      | Side cover of machine head base         | 2          | 142012082 |
| 9         | 417S30302       | 螺钉(带垫圈)M4×12 | Screw (with washer) M4×12               | 8          |           |
| 10        | 930000444       | 机头底座后盖板      | Rear cover of head base                 | 1          | 142012083 |
| 11        | 142011010       | 后罩           | Rear cover                              | 1          |           |
| 12        | S04029          | 螺钉M5×12      | Screw M5×12                             | 4          |           |
| 13        | 930000299       | 上盖板R         | Upper cover R                           | 1          | 142012007 |
| 14        | 14222007        | 上盖橡皮塞        | Rubber cap                              | 1          |           |
| 15        | 930000298       | 中窗板          | Mid-window                              | 1          | 142012006 |
| 16        | S04028          | 螺钉M5×8       | Screw M5×8                              | 14         |           |
| 17        | 930000300       | 上盖板F         | Upper cover F                           | 1          | 142012008 |
| 18        | 41722009        | 橡皮塞13        | Rubber stopper 13                       | 2          |           |
| 19        | 10122005        | 挑线连杆销螺孔塞     | Thread take-up link pin screw hole plug | 2          |           |
| 20        | 40622014        | 橡皮塞          | Rubber stopper                          | 1          |           |
| 21        | 41722009        | 橡皮塞13        | Rubber stopper 13                       | 1          |           |
| 22        | P02011          | 销子16×50      | Pin 16×50                               | 2          |           |
| 23        | S05994          | 螺钉M16×70     | Screw M16×70                            | 6          |           |
| 24        | 142012110       | 垫圈M16        | Washer M16                              | 6          |           |
| 25        | S05276          | 螺钉M14×45     | Screw M14×45                            | 4          |           |
| 26        | P02012          | 销子M12×50     | Pin M12×50                              | 2          |           |
| 27        | 20131063        | 警告牌          | warning sign label                      | 1          |           |
| 28        | 141837006       | 型号牌          | Model label                             | 1          |           |
| 28        | 141837008       | 型号牌B         | Model label B                           | 1          | B         |

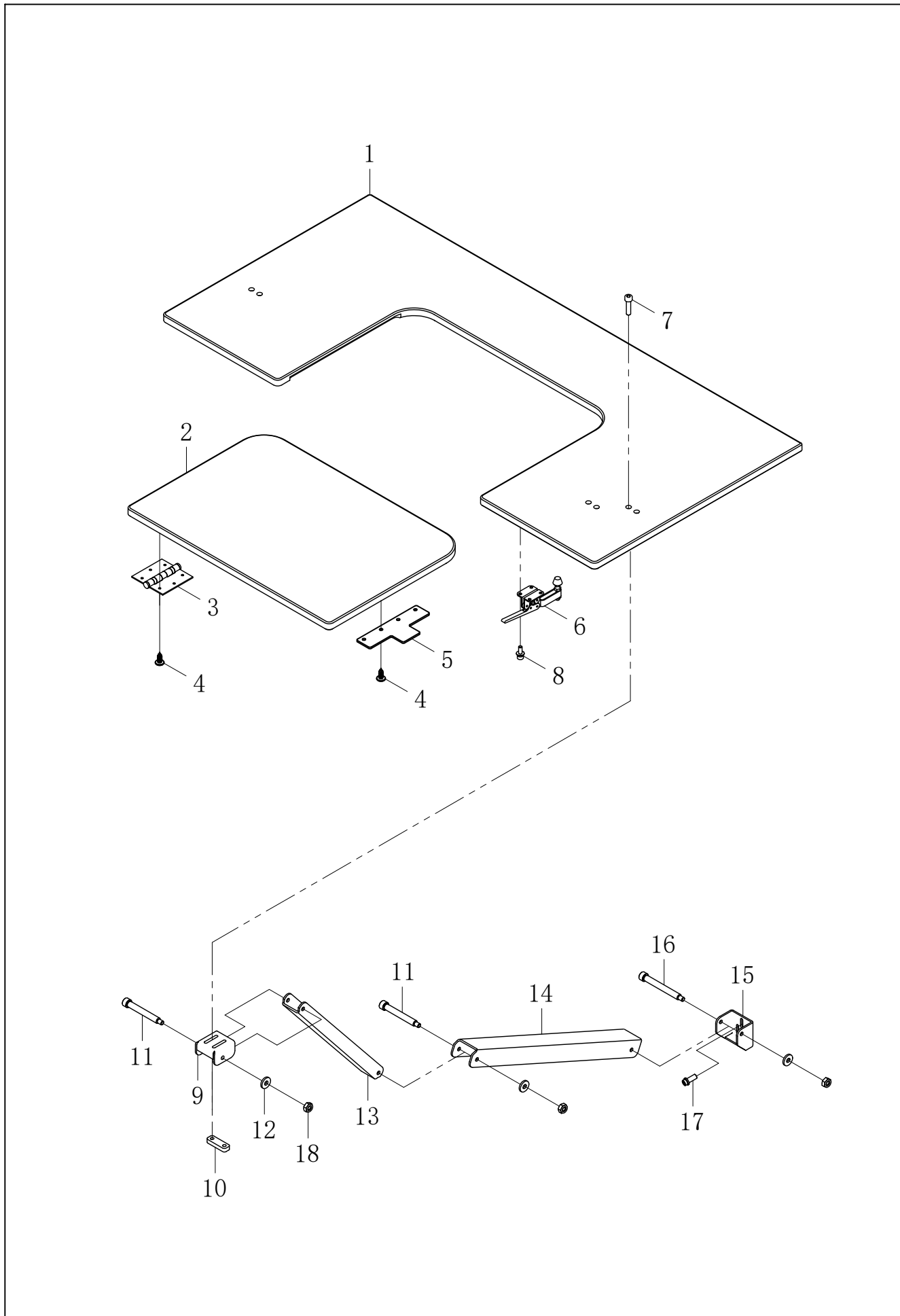
B1、主台面部分 / Main table mechanism



B1、主台面部分 / Main table mechanism

| 序号<br>No. | 件号<br>Part. No. | 零部件名称        | NAME OF PARTS                        | 数量<br>Amt. | 备注          |
|-----------|-----------------|--------------|--------------------------------------|------------|-------------|
| 1         | 142032035       | 主台面          | Main table                           | 1          |             |
| 2         | 142032034       | 台面前盖板        | Front cover                          | 1          |             |
| 3         | S02039          | 开槽沉头螺钉M4×9   | Slotted countersunk head screws M4×9 | 12         |             |
| 4         | 141932044       | 圆形盖板         | Round cover                          | 1          |             |
| 5         | 142026004       | 滚花螺纹套M4      | Knurled thread sleeve M4             | 4          |             |
| 6         | 142032006       | 旋梭盖板         | Hook cover                           | 1          |             |
| 7         | 915624          | 磁铁15×1       | Magnet 15×1                          | 4          |             |
| 8         | S05124          | 螺钉M5×16      | Screw M5×16                          | 14         |             |
| 9         | 142031002       | 合页A          | Hinge A                              | 3          |             |
| 10        | 417S30036       | 螺钉(带垫圈)M5×12 | Screw (with washer) M5×12            | 12         |             |
| 11        | 41822012        | 减振垫圈         | Damping washer                       | 2          |             |
| 12        | 4181204800      | 台面支撑板组件      | Table support plate assembly         | 2          |             |
| 13        | 417S30306       | 螺钉(带垫圈)M5×15 | Screw (with washer) M5×15            | 36         |             |
| 14        | 930000413       | 肋板           | Ribs                                 | 2          | 142012087   |
| 15        | 142022006       | 橡胶垫L         | Rubber pad L                         | 2          |             |
| 16        | 930000302       | 台面中托板        | Countertop plate                     | 2          | 142012015   |
| 17        | 930000301       | 台面托板支架组件     | Countertop bracket assembly          | 2          | 14201201300 |
| 18        | 142026005       | 滚花螺纹套M5      | Knurled thread sleeve M5             | 14         |             |
| 19        | 1420NS20005     | 轴位螺钉M5       | Screw M5                             | 4          |             |
| 20        | 141932044       | 圆形盖板         | Round cover                          | 1          |             |
| 21        | 142032033       | 后台面          | Back side table                      | 1          |             |
| 22        | S05123          | 螺钉M5×12      | Screw M5×12                          | 20         |             |
| 23        | 41828611        | 平垫圈M5        | Flat washer M5                       | 30         |             |
| 24        | 930000303       | 台面左右支撑板      | Left and right table support plate   | 4          | 142012022   |
| 25        | S05026          | 螺钉M5×20      | Screw M5×20                          | 10         |             |
| 26        | 142012031       | 螺纹板M5        | Threaded plate M5                    | 8          |             |
| 27        | 142001007       | 滑杆轴支座        | Slider shaft support                 | 8          |             |
| 28        | S05035          | 螺钉M5×25      | Screw M5×25                          | 16         |             |
| 29        | S09041          | 螺钉M6×5       | Screw M6×5                           | 16         |             |
| 30        | 142002008       | 滑竿轴          | Slide shaft                          | 2          |             |

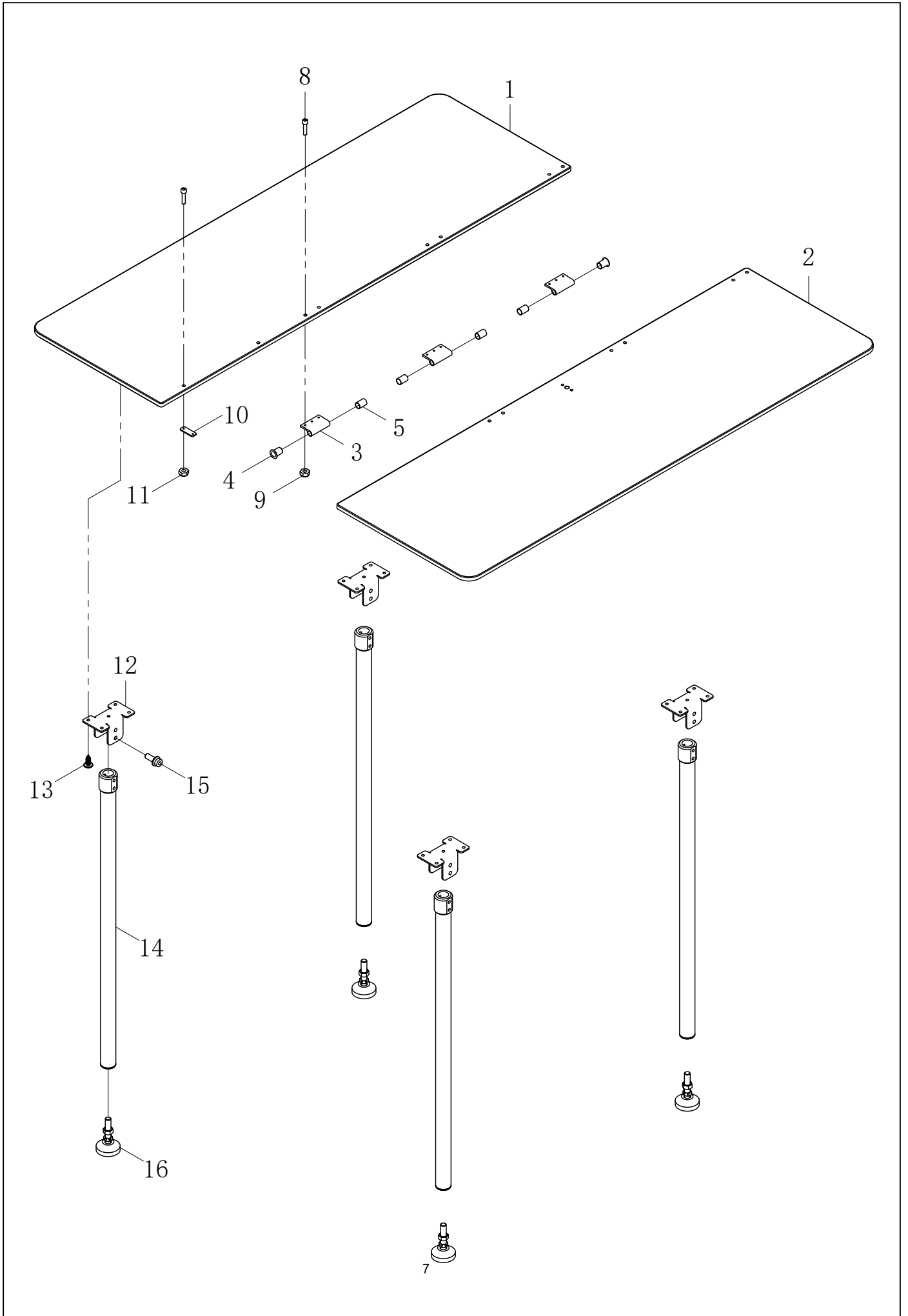
## B2、前台面部分 / Front table mechanism



B2、前台面部分 / Front table mechanism

| 序号<br>No. | 件号<br>Part. No. | 零部件名称        | NAME OF PARTS                           | 数量<br>Amt. | 备注        |
|-----------|-----------------|--------------|---|------------|-----------|
| 1         | 142032094       | 前辅助台面        | Front auxiliary table                   | 1          |           |
| 2         | 142032093       | 开合台面         | Opening and closing table               | 1          |           |
| 3         | 142031002       | 合页A          | Hinge A                                 | 2          |           |
| 4         | S16022          | 十字槽盘头自攻螺钉    | Screw                                   | 16         |           |
| 5         | 142012128       | 开合台面限位板A     | Opening and closing table limit board A | 1          |           |
| 6         | 42231512        | 压紧夹具         | Clamping fixture                        | 1          |           |
| 7         | S05026          | 螺钉M5×20      | Screw M5×20                             | 4          |           |
| 8         | 417S30036       | 螺钉M5×12      | Screw M5×12                             | 4          |           |
| 9         | 930000306       | 折叠杆支架B       | Folding rod bracket B                   | 2          | 142012019 |
| 10        | 142012031       | 螺纹板M5        | Threaded plate M5                       | 2          |           |
| 11        | 1420NS20003     | 轴位螺钉M5B      | Axial screw M5B                         | 4          |           |
| 12        | 41728028        | 垫圈5          | Washer 5                                | 6          |           |
| 13        | 930000307       | 折叠杆B         | Folding rod B                           | 2          | 142012020 |
| 14        | 930000305       | 折叠杆A         | Folding rod A                           | 2          | 142012018 |
| 15        | 930000304       | 折叠杆支架A       | Folding rod bracket A                   | 2          | 142012017 |
| 16        | 1420NS20002     | 轴位螺钉M5A      | Axial screw M5A                         | 2          |           |
| 17        | 417S30036       | 螺钉(带垫圈)M5×12 | Screw (with washer) M5×12               | 6          |           |
| 18        | 407N01001       | 自锁螺母M5       | Self-locking nut M5                     | 6          |           |

### B3、辅助台面部分 / Auxiliary table mechanism

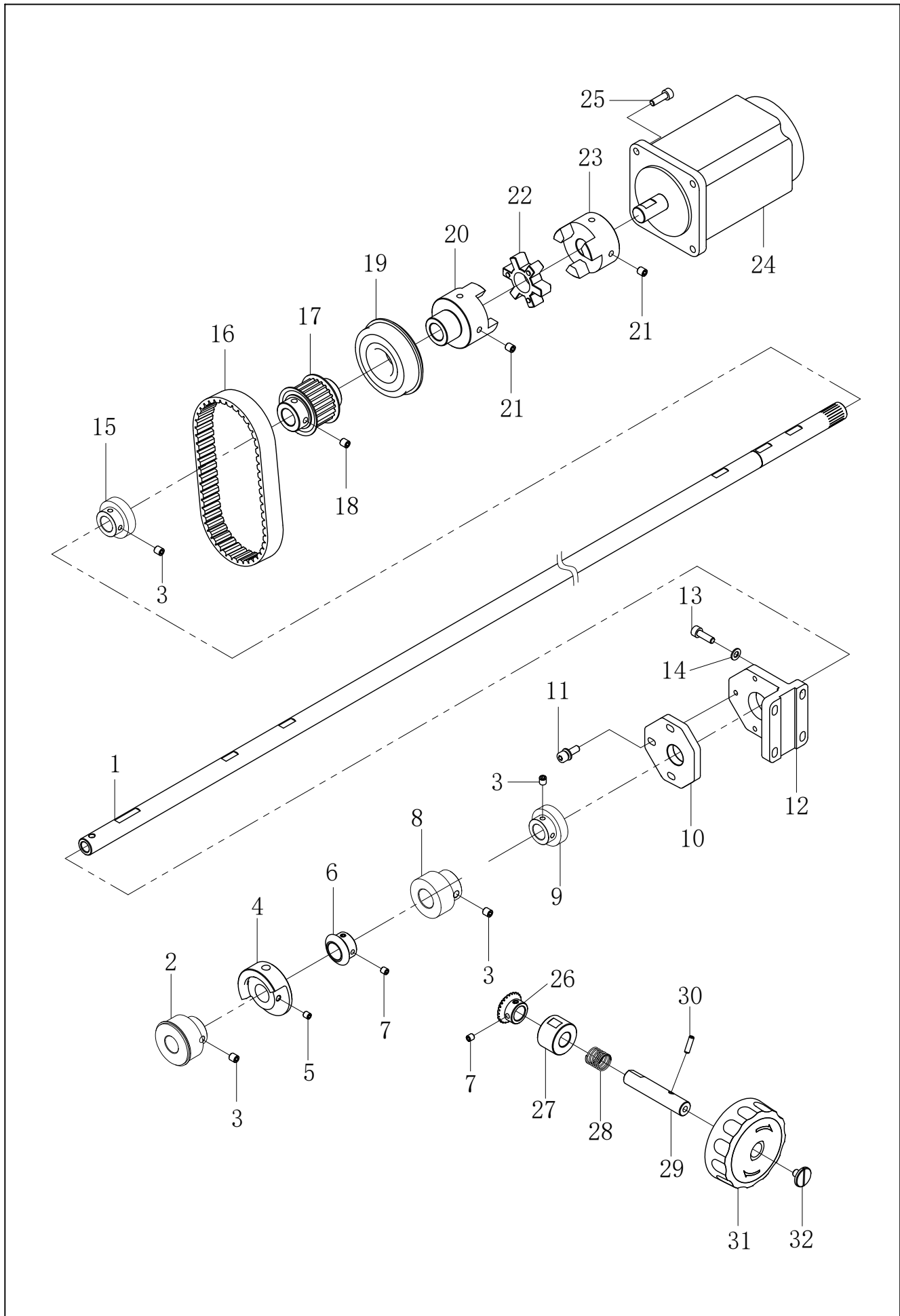


### B3、辅助台面部分 / Auxiliary table mechanism

| 序号<br>No. | 件号<br>Part. No. | 零部件名称            | NAME OF PARTS                          | 数量<br>Amt. | 备注          |
|-----------|-----------------|------------------|--|------------|-------------|
| 1         | 142032004       | 左辅助台面            | Left auxiliary table                   | 1          |             |
| 2         | 142032005       | 右辅助台面            | Right auxiliary table                  | 1          |             |
| 3         | 141803007       | 辅助台面连接轴套         | Auxiliary table connection sleeve      | 6          |             |
| 4         | 142003016       | 工程塑料轴套GFM1214-20 | Engineering plastic bushing GFM1214-20 | 4          |             |
| 5         | 141803017       | 滑竿轴套             | Slide shaft sleeve                     | 8          |             |
| 6         | 142012032       | 滑动座垫板            | Sliding seat plate                     | 6          |             |
| 7         | 421S17009       | 螺钉M5×10          | Screw M5×10                            | 6          |             |
| 8         | S05218          | 内六角螺钉M5×22       | Hexagon socket head cap screw M5×22    | 12         |             |
| 9         | 407N01001       | 自锁螺母M5           | Self-locking nut M5                    | 12         |             |
| 10        | 142012135       | 台面拼接板            | Board splicing board                   | 2          |             |
| 11        | 417S30036       | 螺钉M5×12          | Screw M5×12                            | 8          |             |
| 12        | 41812080        | 辅助支撑铰链支架         | Auxiliary support hinge bracket        | 4          |             |
| 13        | S16022          | 十字槽盘头自攻螺钉        | Screw                                  | 16         |             |
| 14        | 930000225       | 支撑柱组件            | Support column assembly                | 4          | 14193200600 |
| 15        | 417S30304       | 螺钉M6×20          | Screw M6×20                            | 8          |             |
| 16        | 41832020        | 脚垫M12            | Foot pad M12                           | 4          |             |



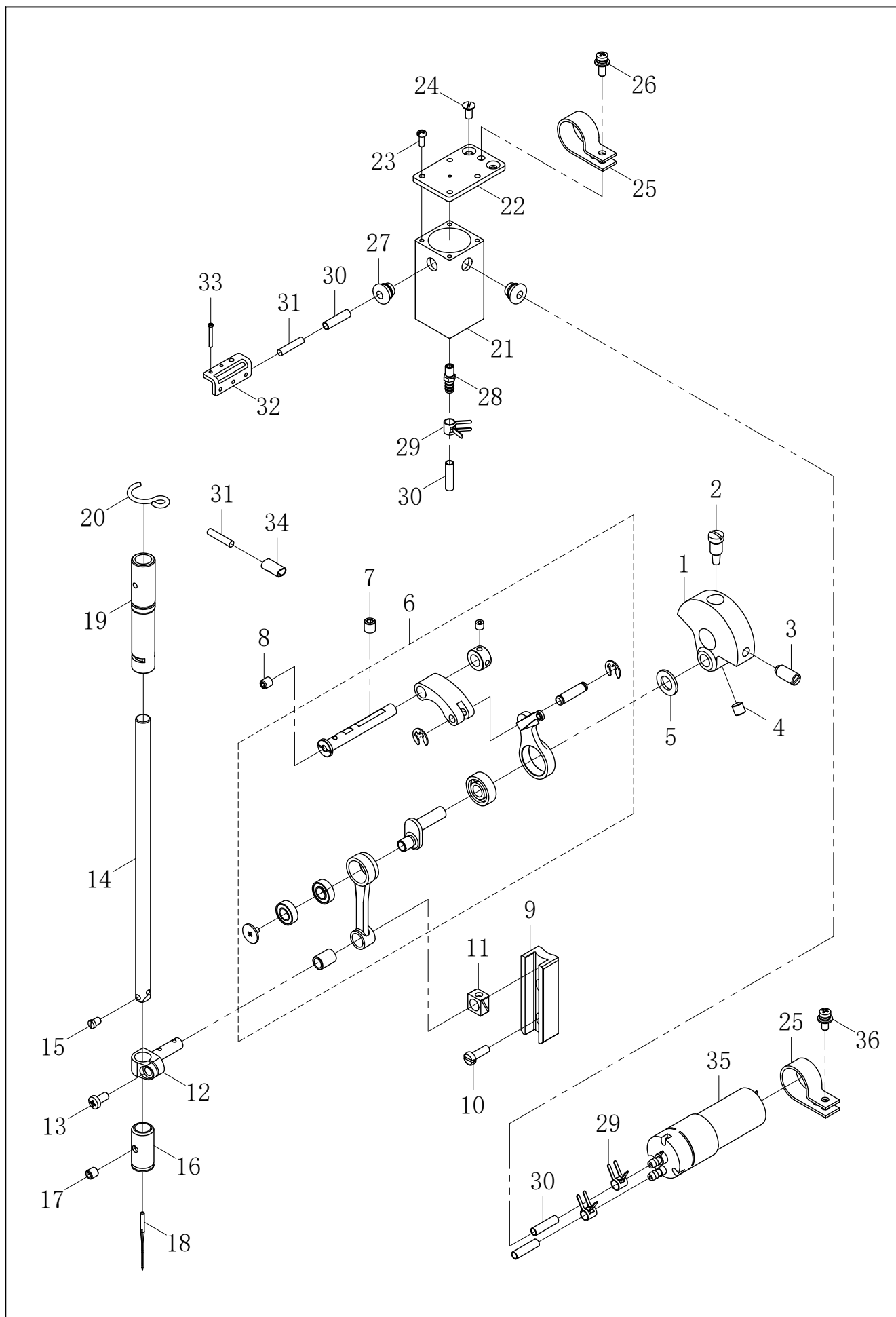
# C1、上轴装置 / Upper shaft mechanism



## C1、上轴装置 / Upper shaft mechanism

| 序号<br>No. | 件号<br>Part. No. | 零部件名称         | NAME OF PARTS                          | 数量<br>Amt. | 备注 |
|-----------|-----------------|---------------|--|------------|----|
| 1         | 142002001       | 上轴            | Upper shaft                            | 1          |    |
| 2         | 142024006       | 一体轴承6904RT    | Integral bearing 6904RT                | 1          |    |
| 3         | S10019          | 螺钉M6×6        | Screw M6×6                             | 6          |    |
| 4         | 41803219        | 卷线驱动轮         | Coil drive wheel                       | 1          |    |
| 4         | 41704002        | 卷线驱动轮         | Coil drive wheel                       | 1          | J  |
| 5         | S09019          | 螺钉M5×5        | Screw M5×5                             | 2          |    |
| 5         | S10018          | 紧定螺钉M6×0.75×6 | Set screw M6×0.75×6                    | 2          | J  |
| 6         | 40325010        | 上轴转动齿轮        | Upper shaft rotating gear              | 1          |    |
| 7         | S09019          | 螺钉M5×5        | Screw M5×5                             | 4          |    |
| 8         | 142024007       | 一体轴承6804T     | Integral bearing 6804T                 | 1          |    |
| 9         | 142024008       | 一体轴承6904R     | Integral bearing 6904R                 | 1          |    |
| 10        | 41801049        | 上轴轴承支撑架       | Upper shaft bearing support            | 1          |    |
| 11        | 417S30306       | 螺钉(带垫圈)M5×15  | Screw (with washer) M5×15              | 3          |    |
| 12        | 41801048        | 上轴轴承支撑座       | Upper shaft bearing support            | 1          |    |
| 13        | S05124          | 螺钉M5×16       | Screw M5×16                            | 4          |    |
| 14        | W01009          | 垫圈5           | Washer 5                               | 4          |    |
| 15        | 142024009       | 一体轴承6204T     | Integral bearing 6204T                 | 1          |    |
| 16        | 41835021        | 同步带S5M        | Timing belt S5M                        | 1          |    |
| 17        | 4183502000      | 上轴同步轮组件       | Upper shaft synchronous wheel assembly | 1          |    |
| 18        | S10019          | 螺钉M6×6        | Screw M6×6                             | 4          |    |
| 19        | B02016          | 轴承6305NR      | Bearing 6305NR                         | 1          |    |
| 20        | 41803214        | 联轴器抱箍A        | Coupling Hoop A                        | 1          |    |
| 21        | S10024          | 螺钉M6×10       | Screw M6×10                            | 4          |    |
| 22        | 40322028        | 减震橡胶          | Shock-absorbing rubber                 | 1          |    |
| 23        | 41803215        | 联轴器抱箍B        | Coupling Hoop B                        | 1          |    |
| 24        | 41833212        | 主轴电机          | Spindle motor                          | 1          |    |
| 25        | S05124          | 螺钉M5×16       | Screw M5×16                            | 4          |    |
| 26        | 40325011        | 手轮轴齿轮         | Handwheel shaft gear                   | 1          |    |
| 27        | 41803020        | 手轮轴套B         | Handwheel bushing B                    | 1          |    |
| 28        | 40327004        | 弹簧            | spring                                 | 1          |    |
| 29        | 142002003       | 手轮轴           | Handwheel shaft                        | 1          |    |
| 30        | P03002          | 弹性圆柱销A4×16    | Elastic cylindrical pin A4×16          | 1          |    |
| 31        | 14201100200     | 手轮组件          | Handwheel assembly                     | 1          |    |
| 31        | 14201101200     | 手轮组件B         | Handwheel assembly B                   | 1          | B  |
| 32        | 403S11003       | 开槽大圆柱头螺钉      | Slotted large cheese head screws       | 1          |    |

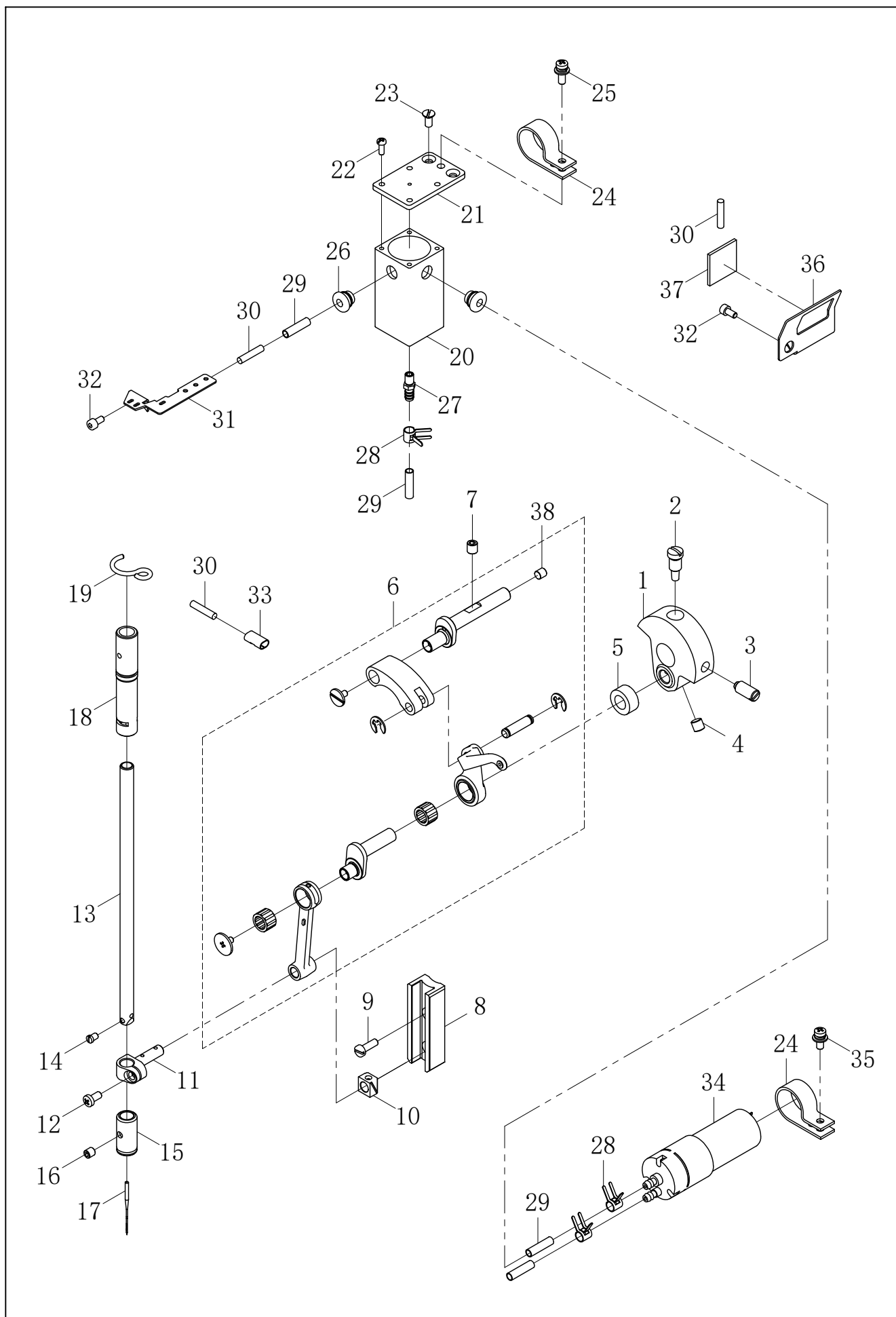
C2、挑线装置 (P) / Take up mechanism (P)



C2、挑线装置 (P) / Take up mechanism (P)

| 序号<br>No. | 件号<br>Part. No. | 零部件名称           | NAME OF PARTS                        | 数量<br>Amt. | 备注 |
|-----------|-----------------|-----------------|--------------------------------------|------------|----|
| 1         | 41804011        | 针杆曲柄A           | Needle bar crank A                   | 1          |    |
| 2         | 135S11002       | 针杆曲柄定位螺钉        | Needle bar crank positioning screw   | 1          |    |
| 3         | 101S15004       | 针杆曲柄紧固螺钉        | Needle bar crank fastening screw     | 1          |    |
| 4         | 409S14001       | 内六角平面端紧定螺钉      | Hexagon socket set screws            | 2          |    |
| 5         | 141828001       | 针杆曲柄垫圈          | Needle bar crank washer              | 1          |    |
| 6         | 14203800100     | 挑线连杆组件E         | Thread take-up link assembly E       | 1          |    |
| 7         | S10019          | 螺钉M6×6          | Screw M6×6                           | 2          |    |
| 8         | S09019          | 螺钉M5×5          | Screw M5×5                           | 1          |    |
| 9         | 142009004       | 针杆滑块导向          | Needle bar slider guide              | 1          |    |
| 10        | 207S11008       | 开槽圆柱头螺钉M4×12    | Slotted cheese head screws M4×12     | 2          |    |
| 11        | 41709001        | 滑块              | Slider                               | 1          |    |
| 12        | 41704100        | 针杆接头            | Needle bar connector                 | 1          |    |
| 13        | S04078          | 螺钉M4×8          | Screw M4×8                           | 1          |    |
| 14        | 141802008       | 针杆2.0           | Needle bar 2.0                       | 1          |    |
| 14        | 141802009       | 针杆1.6           | Needle bar 1.6                       | 1          |    |
| 15        | 417S15002       | 螺钉SM9-64×40×4.5 | Screw SM9-64×40×4.5                  | 1          |    |
| 16        | 142003012       | 针棒轴套E           | Needle shaft sleeve E                | 1          |    |
| 17        | S09019          | 螺钉M5×5          | Screw M5×5                           | 1          |    |
| 18        | 42217503        | 机针DP×5 9#       | Machine needle DP×5 9#               | 1          |    |
| 19        | 142003020       | 针杆上套A           | Needle bar cover A                   | 1          |    |
| 20        | 142527004       | 油线挂钩            | Oil line hook                        | 1          |    |
| 21        | 142001010       | 中转油盒            | Relay oil box                        | 1          |    |
| 22        | 142012079       | 中转油盒安装板         | Relay oil box mounting plate         | 1          |    |
| 23        | S04076          | 螺钉M3×8          | Screw M3×8                           | 4          |    |
| 24        | S02039          | 开槽沉头螺钉M4×9      | Slotted countersunk head screws M4×9 | 2          |    |
| 25        | 41711026        | 电线夹23           | Wire clamp 23                        | 2          |    |
| 26        | 417S30302       | 螺钉(带垫圈)M4×12    | Screw (with washer) M4×12            | 1          |    |
| 27        | 40322027        | 橡皮塞             | Rubber stopper                       | 2          |    |
| 28        | 41836015        | 油管嘴M5           | Tubing nozzle M5                     | 1          |    |
| 29        | 11412055        | Φ5.7油管卡簧        | Φ5.7 Tubing circlip                  | 3          |    |
| 30        | 12921002        | 维尼龙油管(Φ3×Φ5)    | Vinyon tubing (Φ3×Φ5)                | 4.5        |    |
| 31        | 12923018        | 油线4×4           | Oil line 4×4                         | 1.5        |    |
| 32        | 142012125       | 油管支架            | Tubing bracket                       | 1          |    |
| 33        | S01591          | 螺钉M3×18         | Screw M3×18                          | 2          |    |
| 34        | 41712070        | 油线支架            | Oil line bracket                     | 1          |    |
| 35        | 142020001       | 隔膜泵             | Diaphragm pump                       | 1          |    |
| 36        | 417S30025       | 螺钉(带垫圈)M4×10DB  | Screw (with washer) M4×10DB          | 1          |    |

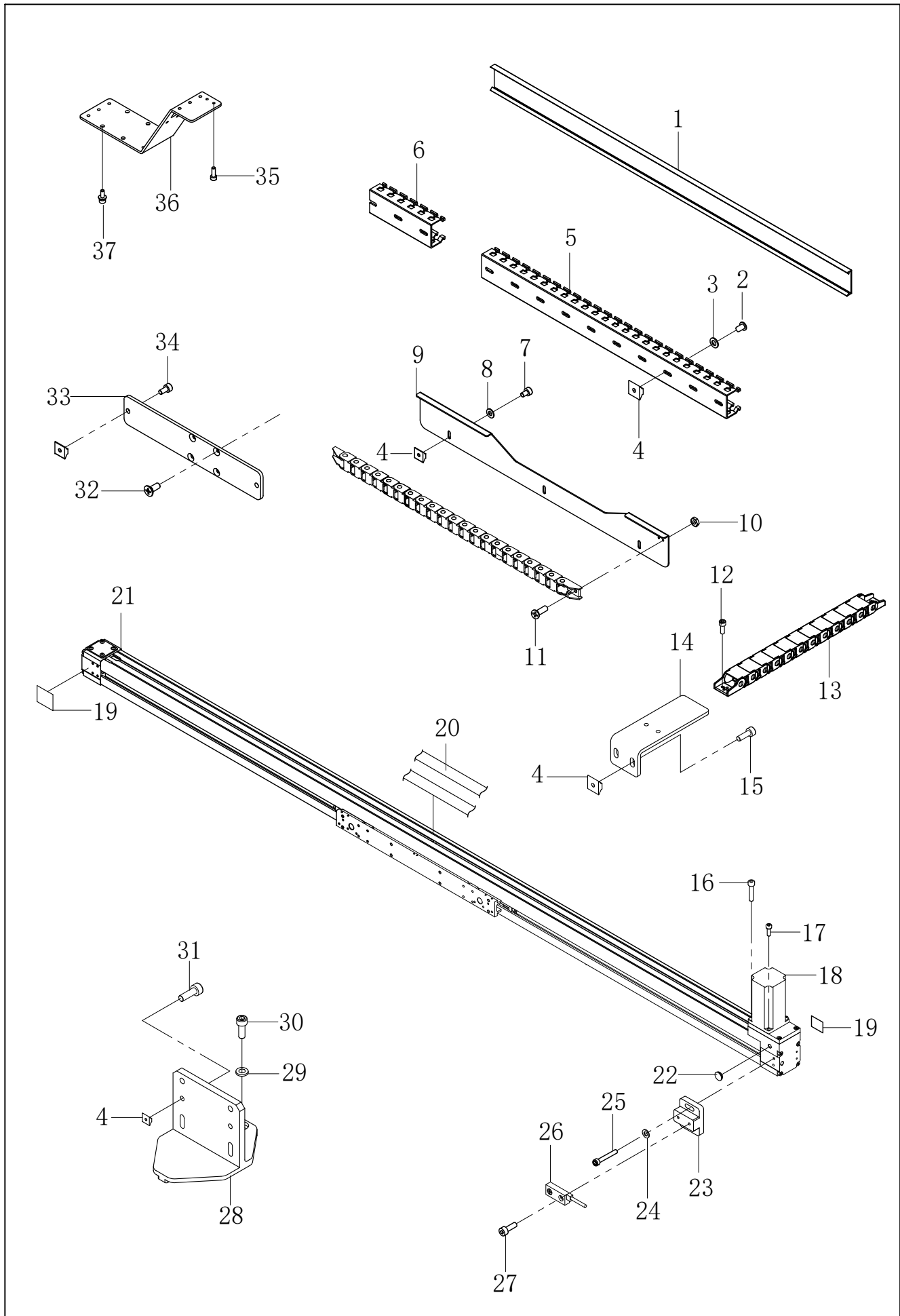
# C3、挑线装置 / Take up mechanism



### C3、挑线装置 / Take up mechanism

| 序号<br>No. | 件号<br>Part. No. | 零部件名称            | NAME OF PARTS                        | 数量<br>Amt. | 备注 |
|-----------|-----------------|------------------|--------------------------------------|------------|----|
| 1         | 142004003       | 针杆曲柄H            | Needle bar crank H                   | 1          |    |
| 2         | 135S11002       | 针杆曲柄定位螺钉         | Needle bar crank positioning screw   | 1          |    |
| 3         | 101S15004       | 针杆曲柄紧固螺钉         | Needle bar crank fastening screw     | 1          |    |
| 4         | 409S14001       | 内六角平面端紧定螺钉       | Hexagon socket set screws            | 2          |    |
| 5         | 142028002       | 针杆曲柄垫圈           | Needle bar crank washer              | 1          |    |
| 6         | 14203800500     | 挑线连杆组件J          | Thread take-up link assembly J       | 1          |    |
| 7         | S10019          | 螺钉M6×6           | Screw M6×6                           | 3          |    |
| 8         | 142009004       | 针杆滑块导向           | Needle bar slider guide              | 1          |    |
| 9         | 207S11008       | 开槽圆柱头螺钉M4×12     | Slotted cheese head screws M4×12     | 2          |    |
| 10        | 41709001        | 滑块               | Slider                               | 1          |    |
| 11        | 41704100        | 针杆接头             | Needle bar connector                 | 1          |    |
| 12        | S04078          | 螺钉M4×8           | Screw M4×8                           | 1          |    |
| 13        | 141802008       | 针杆2.0            | Needle bar 2.0                       | 1          |    |
| 13        | 141802009       | 针杆1.6            | Needle bar 1.6                       | 1          |    |
| 14        | 417S15002       | 螺钉SM3. 57-40×4.5 | Screw SM3. 57-40×4.5                 | 1          |    |
| 15        | 142003012       | 针棒轴套E            | Needle shaft sleeve E                | 1          |    |
| 16        | S09019          | 螺钉M5×5           | Screw M5×5                           | 1          |    |
| 17        | 42217503        | 机针DP×5 9#        | Machine needle DP×5 9#               | 1          |    |
| 18        | 142003020       | 针杆上套A            | Needle bar cover A                   | 1          |    |
| 19        | 142527004       | 油线挂钩             | Oil line hook                        | 1          |    |
| 20        | 142001010       | 中转油盒             | Relay oil box                        | 1          |    |
| 21        | 142012079       | 中转油盒安装板          | Relay oil box mounting plate         | 1          |    |
| 22        | S04076          | 螺钉M3×8           | Screw M3×8                           | 4          |    |
| 23        | S02039          | 开槽沉头螺钉M4×9       | Slotted countersunk head screws M4×9 | 2          |    |
| 24        | 41711026        | 电线夹23            | Wire clamp 23                        | 2          |    |
| 25        | 417S30302       | 螺钉(带垫圈)M4×12     | Screw (with washer) M4×12            | 1          |    |
| 26        | 40322027        | 橡皮塞              | Rubber stopper                       | 2          |    |
| 27        | 41836015        | 油管嘴M5            | Tubing nozzle M5                     | 1          |    |
| 28        | 11412055        | Φ5.7油管卡簧         | Φ5.7 Tubing circlip                  | 3          |    |
| 29        | 12921002        | 维尼龙油管(Φ3×Φ5)     | Vinyon tubing (Φ3×Φ5)                | 4.5        |    |
| 30        | 12923018        | 油线4×4            | Oil line 4×4                         | 1.5        |    |
| 31        | 142012091       | 油毡支架B            | Linoleum B                           | 1          |    |
| 32        | S05116          | 螺钉M4×8           | Screw M4×8                           | 2          |    |
| 33        | 41712070        | 油线支架             | Oil line bracket                     | 1          |    |
| 34        | 142020001       | 隔膜泵              | Diaphragm pump                       | 1          |    |
| 35        | 417S30025       | 螺钉(带垫圈)M4×10DB   | Screw (with washer) M4×10DB          | 1          |    |
| 36        | 142012109       | 油毡支架C            | Linoleum bracket C                   | 1          |    |
| 37        | 142023002       | 油毡               | Linoleum                             | 1          |    |
| 38        | S09019          | 螺钉M5×5           | Screw M5×5                           | 1          |    |

# D1、X送料装置(T) / X Feed mechanism (T)

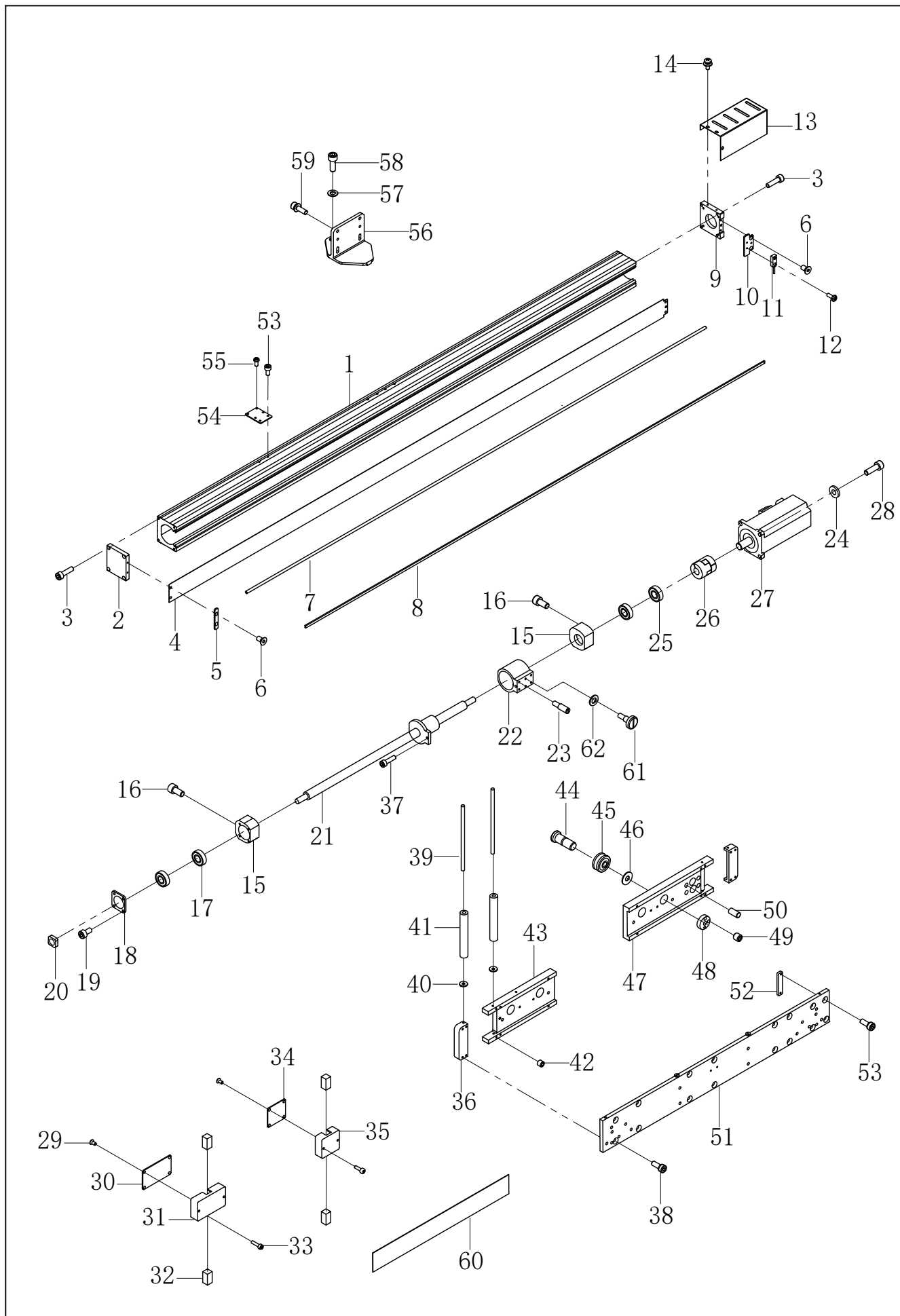


D1、X送料装置(T) / X Feed mechanism (T)

| 序号<br>No. | 件号<br>Part. No. | 零部件名称         | NAME OF PARTS                            | 数量<br>Amt. | 备注        |
|-----------|-----------------|---------------|--|------------|-----------|
| 1         | 141811006       | 线槽盖40L700     | Trunk cover 40L700                       | 1          |           |
| 2         | S05115          | 螺钉M4×6        | Screw M4×6                               | 5          |           |
| 3         | W01001          | 平垫圈4          | Flat washer 4                            | 3          |           |
| 4         | 425S10001       | 方形安装螺母        | Square mounting nut                      | 14         |           |
| 5         | 141811004       | 线槽4030L480    | Wire slot 4030L480                       | 1          |           |
| 6         | 141811005       | 线槽4030L120    | Wire slot 4030L120                       | 1          |           |
| 7         | 417S15008       | 螺钉M4×8        | Screw M4×8                               | 3          |           |
| 8         | 41728024        | 垫圈4           | Washer 4                                 | 3          |           |
| 9         | 141842008       | 小坦克链挡板        | Small tank chain baffle                  | 1          |           |
| 10        | N08008          | 自锁螺母M3        | Self-locking nut M3                      | 4          |           |
| 11        | S02127          | 沉头螺钉M3×10     | Countersunk head screw M3×10             | 4          |           |
| 12        | S05116          | 螺钉M4×8        | Screw M4×8                               | 2          |           |
| 13        | 142011014       | Y向拖链          | Y towline                                | 1          |           |
| 14        | 142012061       | 拖链支持板(同步带)    | E-chain support board (synchronous belt) | 1          |           |
| 15        | 421S13012       | 螺钉(带垫圈)M4×10  | Screw (with washer) M4×10                | 2          |           |
| 16        | S05035          | 螺钉M5×25       | Screw M5×25                              | 2          |           |
| 17        | S05124          | 螺钉M5×16       | Screw M5×16                              | 2          |           |
| 18        | 142033003       | 模组电机          | Modular motor                            | 1          |           |
| 19        | 41837614        | 机械防撞标贴        | Mechanical anti-collision stickers       | 2          |           |
| 20        | 141831028       | 3M200系列防滑胶带50 | 3M200 Series Anti-slip Tape 50           | 1          |           |
| 21        | 4184205000      | 同步带送料模组       | Timing belt feeding module               | 1          |           |
| 22        | 10122005        | 孔塞            | Plugs                                    | 1          |           |
| 23        | 141842001       | X传感器安装板       | X sensor mounting plate                  | 1          |           |
| 24        | W01001          | 平垫圈4          | Flat washer 4                            | 2          |           |
| 25        | S05133          | 螺钉M4×12       | Screw M4×12                              | 2          |           |
| 26        | 41730851        | 传感器           | sensor                                   | 1          |           |
| 27        | S04076          | 螺钉M3×8        | Screw M3×8                               | 1          |           |
| 28        | 41801052        | 丝杆送料联接座       | Screw feed connection seat               | 1          |           |
| 28        | 141801052       | 丝杆送料联接座       | Screw feed connection seat               | 1          |           |
| 29        | 41728033        | 垫片M6          | Gasket M6                                | 4          |           |
| 30        | S050111         | 螺钉M6×20       | Screw M6×20                              | 4          |           |
| 31        | 417S30034       | 螺钉(带垫圈)M4×14  | Screw (with washer) M4×14                | 8          |           |
| 32        | S02032          | 螺钉M3×6        | Screw M3×6                               | 4          |           |
| 33        | 141812035       | 储油脂盒安装板(长)    | Grease storage box mounting plate (long) | 1          |           |
| 34        | S05116          | 螺钉M4×8        | Screw M4×8                               | 2          |           |
| 35        | S05116          | 螺钉M4×8        | Screw M4×8                               | 2          |           |
| 36        | 930000473       | 拖链支架          | Drag chain bracket                       | 1          | 142012062 |
| 37        | S05133          | 螺钉M4×12       | Screw M4×12                              | 4          |           |



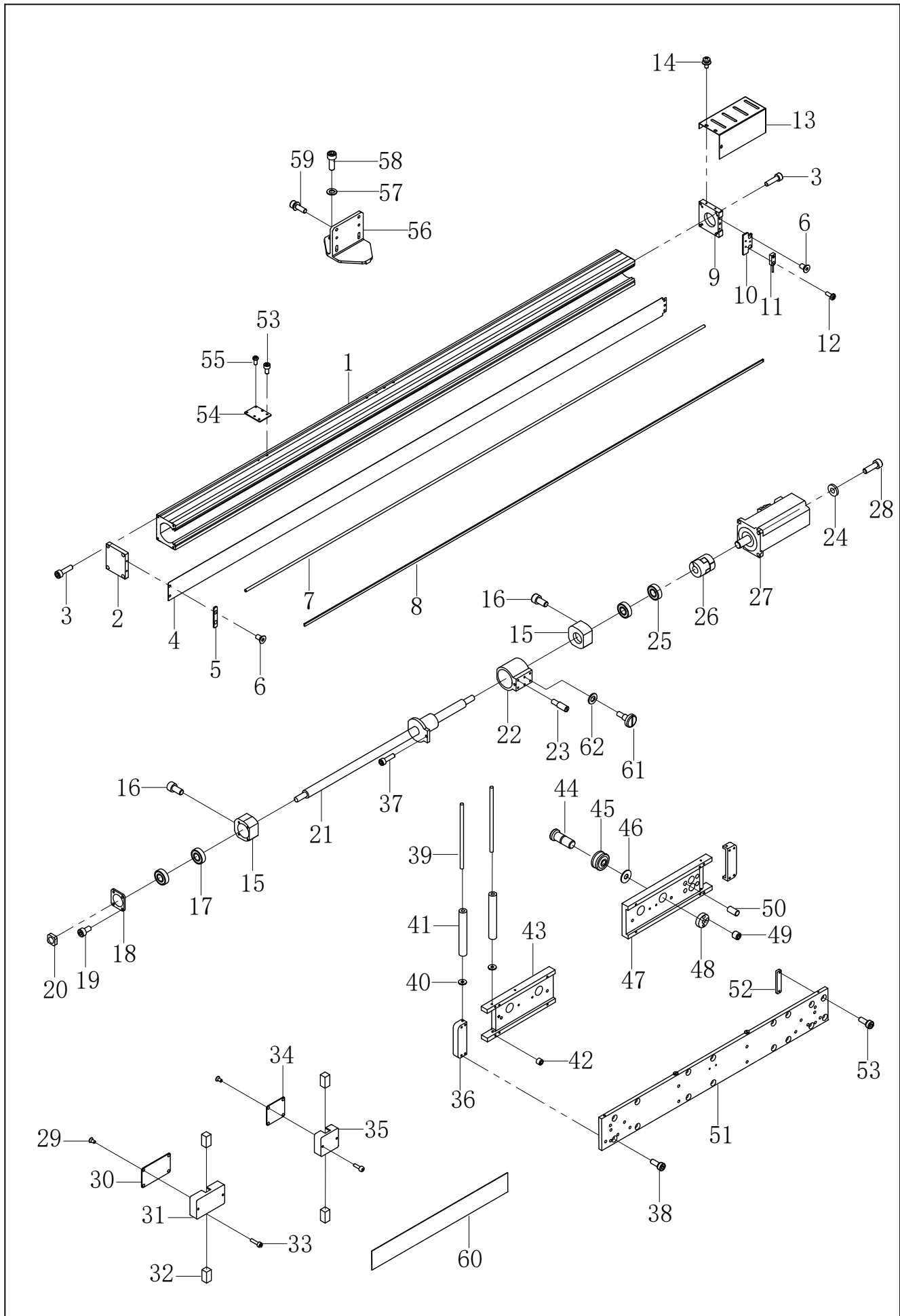
# D2、X送料装置(S) / X Feed mechanism (S)



## D2、X送料装置(S) / X Feed mechanism (S)

| 序号<br>No. | 件号<br>Part. No. | 零部件名称               | NAME OF PARTS                   | 数量<br>Amt. | 备注        |
|-----------|-----------------|---------------------|---------------------------------|------------|-----------|
| 1         | 141801044       | 丝杆罩壳                | Screw housing                   | 1          |           |
| 2         | 141801051       | 端盖                  | End cap                         | 1          |           |
| 3         | S05129          | 螺钉M5×18             | Screw M5×18                     | 8          |           |
| 4         | 141812259       | 防尘钢带                | Dust proof steel strip          | 1          |           |
| 5         | 141812261       | 钢条压紧板               | Steel bar pressing plate        | 1          |           |
| 6         | S02039          | 沉头螺钉M4×9            | Screw M4×9                      | 4          |           |
| 7         | 141824012       | 导轨轴                 | Guide                           | 2          |           |
| 8         | 141822019       | 软磁条                 | Soft magnetic stripe            | 2          |           |
| 9         | 141801050       | 电机安装座               | Motor mounting base             | 1          |           |
| 10        | 141812260       | 传感器安装板              | Sensor mounting plate           | 1          |           |
| 11        | 41730851        | 传感器                 | Sensor                          | 1          |           |
| 12        | S04082          | 螺钉M3×6              | Screw M3×6                      | 1          |           |
| 13        | 930000441       | 电机罩壳                | Motor housing                   | 1          | 141812273 |
| 14        | 417S30025       | 螺钉(带垫圈)M4×10        | Screw M4×10                     | 3          |           |
| 15        | 141801045       | 轴承座                 | Bearing pedestal                | 2          |           |
| 16        | S05067          | 螺钉M5×10             | Screw M5×10                     | 8          |           |
| 17        | B11011          | 轴承7001C DB          | Bearing                         | 2          |           |
| 18        | 141812258       | 轴承挡板                | Bearing baffle                  | 1          |           |
| 19        | 421S13035       | 螺钉M4×8              | Screw M4×8                      | 4          |           |
| 20        | 141824017       | 丝杆锁紧螺母              | Screw lock nut                  | 1          |           |
| 21        | 141824015       | 丝杆组件                | Screw assembly                  | 1          |           |
| 22        | 141801046       | 丝杆螺母安装座             | Screw nut mounting base         | 1          |           |
| 23        | 141802030       | 轴位螺钉M5              | Screw M5                        | 4          |           |
| 24        | W01001          | 平垫圈4                | Washer 4                        | 4          |           |
| 25        | B01058          | 轴承6001ZZ            | Bearing                         | 2          |           |
| 26        | 142003007       | 联轴器                 | Coupling                        | 1          |           |
| 27        | 142033005       | Y丝杆电机               | Y screw motor                   | 1          |           |
| 28        | S05124          | 螺钉M5×16             | Screw M5×16                     | 4          |           |
| 29        | S02031          | 螺钉M3×5              | Screw M3×5                      | 8          |           |
| 30        | 141812281       | 油盒盖板B               | Oil box cover plate B           | 1          |           |
| 31        | 141801067       | 油盒B                 | Oil box B                       | 1          |           |
| 32        | 141823006       | 油毡                  | Asphalt felt                    | 4          |           |
| 33        | S05052          | 螺钉M3×10             | Screw M3×10                     | 4          |           |
| 34        | 141812280       | 油盒盖板A               | Oil box cover plate A           | 1          |           |
| 35        | 141801066       | 油盒A                 | Oil box A                       | 1          |           |
| 36        | 141801054       | 钢带压块                | Steel strip pressing block      | 2          |           |
| 37        | 421S13059       | 螺钉M5×20             | Screw M5×20                     | 1          |           |
| 38        | S05113          | 螺钉M4×12             | Screw M4×12                     | 14         |           |
| 39        | 141826009       | 圆柱销3                | Cylindrical pin                 | 4          |           |
| 40        | W01002          | 平垫圈3                | Washer 3                        | 12         |           |
| 41        | 141844010       | 塑料轴套P210RLM-0309-50 | Plastic bushing P210RLM-0309-50 | 4          |           |
| 42        | S09006          | 螺钉M4×4              | Screw M4×4                      | 4          |           |
| 43        | 141801048       | 移动块B                | Moving block B                  | 1          |           |
| 44        | 141824014       | 轴位螺钉M6              | Axial screw                     | 8          |           |
| 45        | B01057          | 轴承SG66              | Bearing                         | 8          |           |
| 46        | 141812263       | 平垫圈                 | Washer                          | 8          |           |
| 47        | 141801047       | 移动块A                | Moving block A                  | 1          |           |
| 48        | 141810001       | 调节螺母                | Adjusting nut                   | 4          |           |
| 49        | S10006          | 螺钉M5×6              | Screw M5×6                      | 4          |           |
| 50        | 141844011       | 塑料轴套GSM-0608-10     | Plastic bushing GSM-0608-10     | 4          |           |

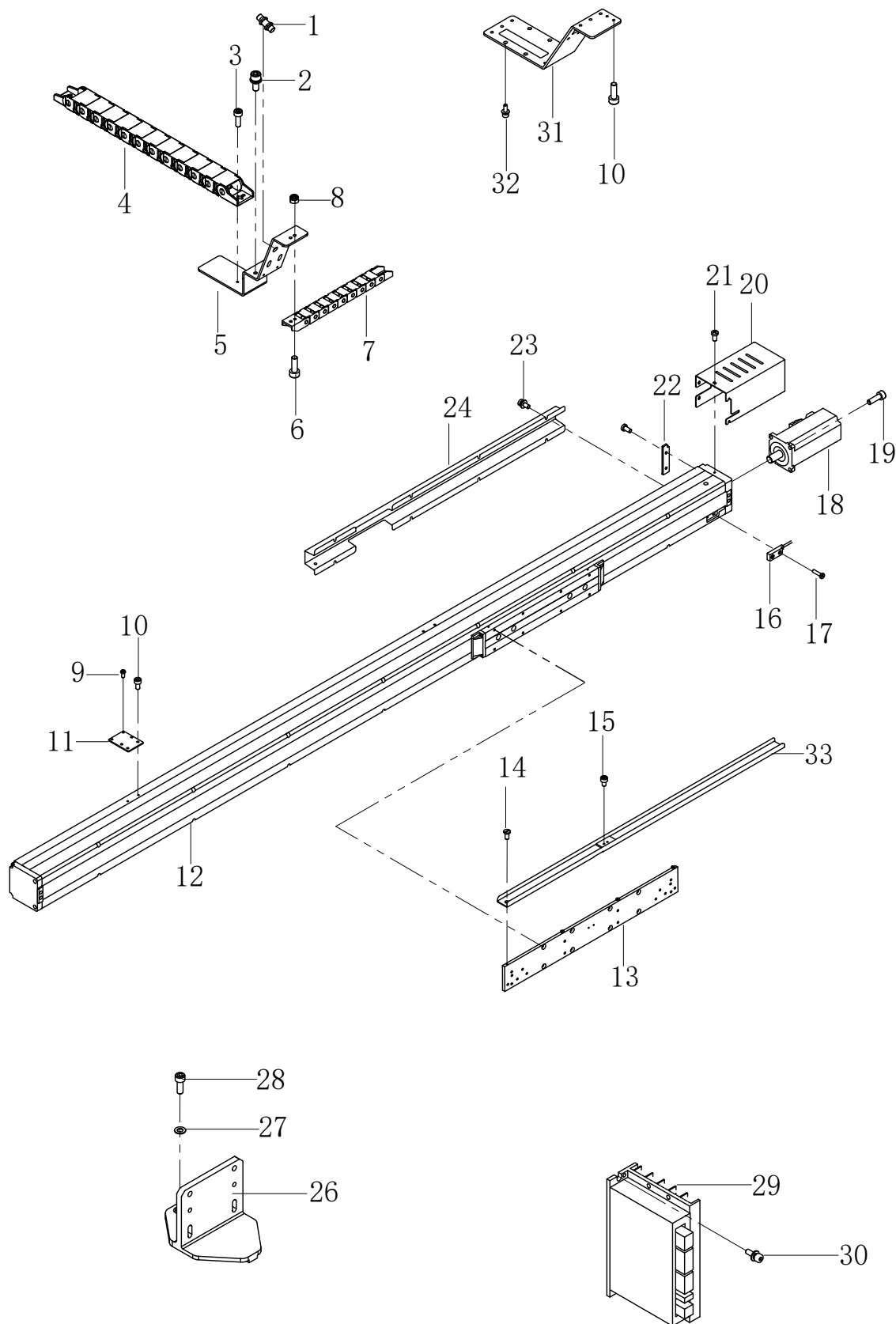
# D2、X送料装置(S) / X Feed mechanism (S)



## D2、X送料装置(S) / X Feed mechanism (S)

| 序号<br>No. | 件号<br>Part. No. | 零部件名称        | NAME OF PARTS                 | 数量<br>Amt. | 备注 |
|-----------|-----------------|--------------|-------------------------------|------------|----|
| 51        | 141801049       | 移动块盖板        | Moving block cover plate      | 1          |    |
| 52        | 141812262       | 传感器感应片       | Sensor plate                  | 1          |    |
| 53        | 421S13035       | 螺钉M4×8       | Screw M4×8                    | 2          |    |
| 54        | 41812146        | 储油脂盒安装板      | Mounting plate for grease box | 1          |    |
| 55        | S04082          | 螺钉M3×6       | Screw M3×6                    | 4          |    |
| 56        | 41801052        | 丝杆送料联接座      | Screw feed connection seat    | 1          |    |
| 56        | 141801052       | 丝杆送料联接座      | Screw feed connection seat    | 1          |    |
| 57        | 41728033        | 垫片M6         | Gasket M6                     | 4          |    |
| 58        | S05111          | 螺钉M6×20      | Screw M6×20                   | 4          |    |
| 59        | 421S13065       | 螺钉(带垫圈)M5×16 | Screw (with washer) M4×14     | 8          |    |
| 60        | 141831028       | 耐磨带          | Wear resistant belt           | 0.4        |    |
| 61        | 417S30003       | 段螺钉M5        | Screw M5                      | 2          |    |
| 62        | 41722021        | O形圈P7        | O-ring P7                     | 2          |    |

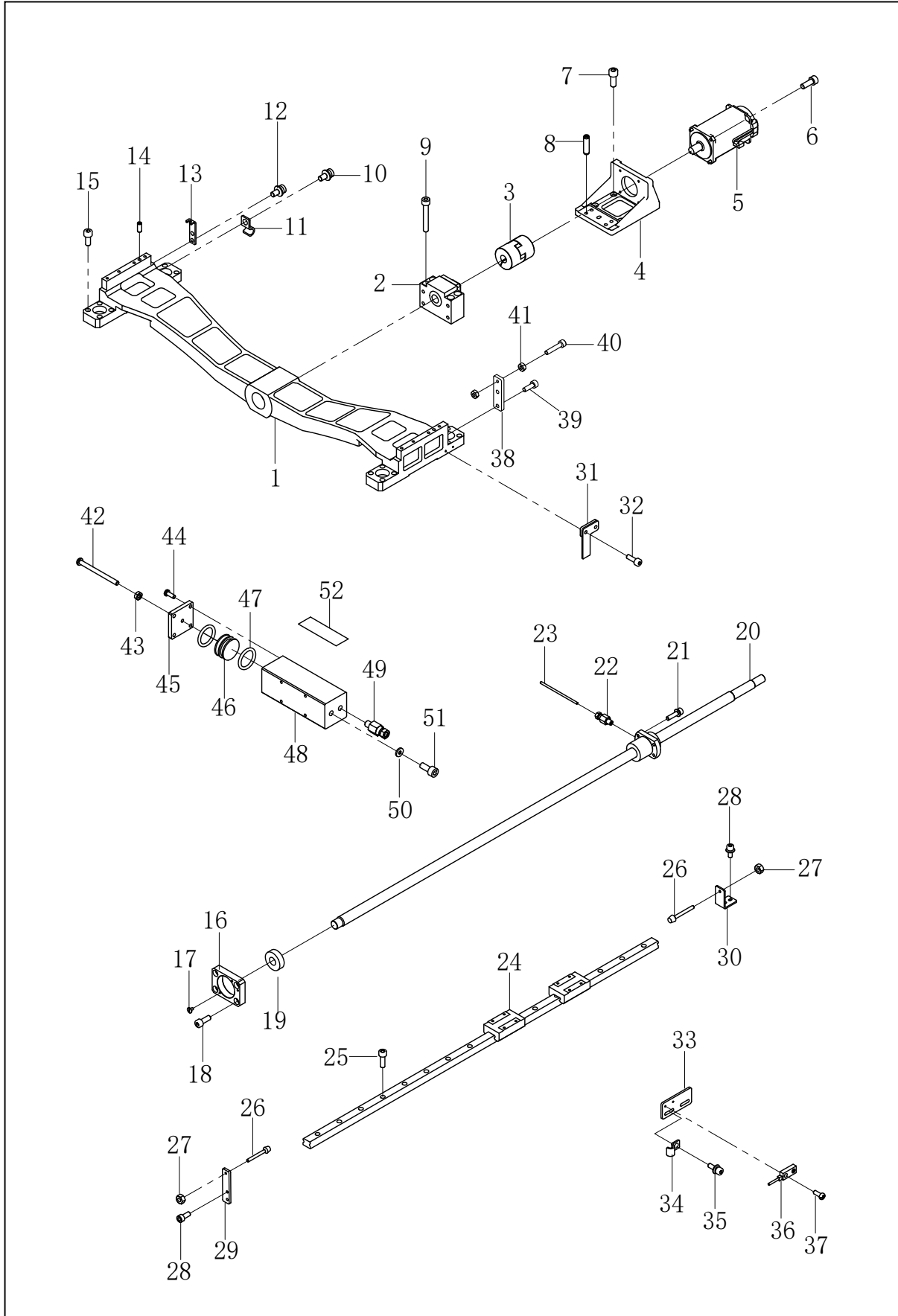
# D3、X送料装置(S1) / X Feed mechanism (S1)



D3、X送料装置(S1) / X Feed mechanism (S1)

| 序号<br>No. | 件号<br>Part. No. | 零部件名称          | NAME OF PARTS                          | 数量<br>Amt. | 备注        |
|-----------|-----------------|----------------|--|------------|-----------|
| 1         | 41836501        | 安装板直通接管        | Mounting plate straight through        | 2          |           |
| 2         | 421S13027       | 螺钉(带垫圈)M5×12   | Screw (with washer) M5×12              | 2          |           |
| 3         | S05116          | 螺钉M4×8         | Screw M4×8                             | 2          |           |
| 4         | 142011014       | 塑料拖链           | Plastic towline                        | 1          |           |
| 5         | 930000450       | 丝杆Y拖链支架        | Screw Y drag chain bracket             | 1          | 142012063 |
| 6         | S05059          | 螺钉M4×12        | Screw M4×12                            | 2          |           |
| 7         | 141811001       | 小拖链            | Small towline                          | 1          |           |
| 8         | 407N1002        | 自锁螺母M4         | Self-locking nut M4                    | 2          |           |
| 9         | S04082          | 螺钉M3×6         | Screw M3×6                             | 4          |           |
| 10        | S05116          | 螺钉M4×8         | Screw M4×8                             | 4          |           |
| 11        | 41812146        | 储油脂盒安装板        | Grease storage box mounting plate      | 1          |           |
| 12        | 4182401600      | 丝杆组件           | Screw assembly                         | 1          |           |
| 13        | 141812001       | 下压托班连接座        | Depress the toban connection seat      | 1          |           |
| 14        | 417S15008       | 螺钉M4×8         | Screw M4×8                             | 4          |           |
| 15        | S05057          | 螺钉M4×6         | Screw M4×6                             | 2          |           |
| 16        | 41730851        | 传感器            | sensor                                 | 1          |           |
| 17        | 421S13049       | 螺钉M3×12        | Screw M3×12                            | 1          |           |
| 18        | 142033005       | X丝杆伺服电机        | X screw servo motor                    | 1          |           |
| 19        | S05124          | 螺钉M5×16        | Screw M5×16                            | 4          |           |
| 20        | 930000022       | 丝杆电机罩          | Screw motor cover                      | 1          | 141812010 |
| 21        | S04078          | 螺钉M4×8         | Screw M4×8                             | 5          |           |
| 22        | 141812027       | 垫块             | Pad                                    | 1          |           |
| 23        | 417S30025       | 十字槽盘头螺钉M4×10DB | Cross recessed pan head screws M4×10DB | 8          |           |
| 24        | 930000020       | 线罩             | Wire cover                             | 1          | 141812024 |
| 25        | 421S13065       | 螺钉(带垫圈)M5×16   | Screw (with washer) M5×16              | 8          |           |
| 26        | 41801052        | 丝杆送料联接座        | Screw feed connection seat             | 1          |           |
| 26        | 141801052       | 丝杆送料联接座        | Screw feed connection seat             | 1          |           |
| 27        | 42128040        | 垫片M6           | Gasket M6                              | 4          |           |
| 28        | S05111          | 螺钉M6×16        | Screw M6×16                            | 4          |           |
| 29        | 14181202600     | 丝杆拖链导板组件       | Screw guide chain assembly             | 1          |           |
| 30        | 141830005       | 低压驱动器          | Low voltage driver                     | 1          |           |
| 31        | 417S30302       | 螺钉(带垫圈)M4×12   | Screw (with washer) M4×12              | 4          |           |
| 32        | 142012062       | 拖链支架           | Drag chain bracket                     | 1          |           |
| 32        | S04078          | 螺钉M4×8         | Screw M4×8                             | 4          |           |

# E1、Y送料装置 / Y Feed mechanism

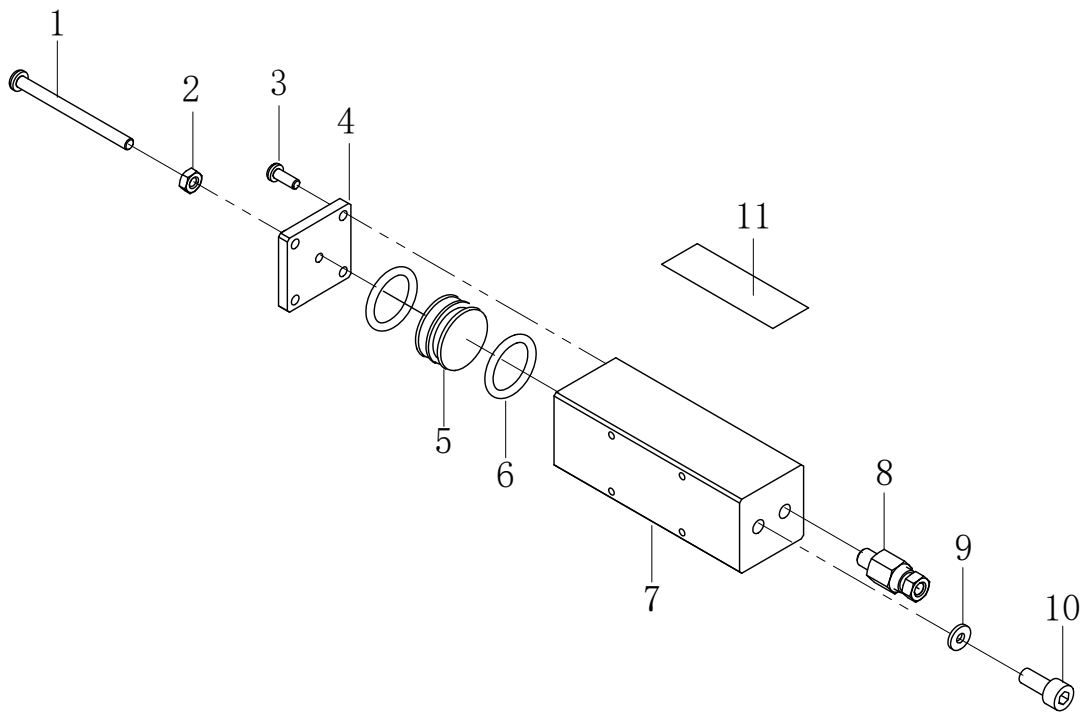


E1、Y送料装置 / Y Feed mechanism

| 序号<br>No. | 件号<br>Part. No. | 零部件名称          | NAME OF PARTS                                | 数量<br>Amt. | 备注 |
|-----------|-----------------|----------------|--|------------|----|
| 1         | 41801044        | Y丝杆同步带驱动座      | Y screw synchronous belt drive seat          | 1          |    |
| 2         | 41801041        | Y丝杆固定端轴承座组件    | Y screw rod fixed end bearing block assembly | 1          |    |
| 3         | 4180301200      | 梅花联轴器组件        | Plum coupling components                     | 1          |    |
| 4         | 142001016       | Y丝杆电机座         | Y screw motor base                           | 1          |    |
| 5         | 142033006       | Y丝杆电机          | Y screw motor                                | 1          |    |
| 6         | S05124          | 螺钉M5×16        | Screw M5×16                                  | 4          |    |
| 7         | S05074          | 螺钉M8×20        | Screw M8×20                                  | 4          |    |
| 8         | 41826016        | 圆柱销8×30        | Cylindrical pin 8×30                         | 2          |    |
| 9         | S05139          | 螺钉M8×55        | Screw M8×55                                  | 4          |    |
| 10        | 417S30025       | 螺钉(带垫圈)M4×10DB | Screw (with washer) M4×10DB                  | 1          |    |
| 11        | 12912326        | 管夹             | Pipe clamp                                   | 1          |    |
| 12        | 417S30025       | 螺钉(带垫圈)M4×10DB | Screw (with washer) M4×10DB                  | 2          |    |
| 13        | 41812667        | 油管支架           | Tubing bracket                               | 1          |    |
| 14        | 41826011        | 圆柱销6×15        | Cylindrical pin 6×15                         | 1          |    |
| 15        | S05123          | 螺钉M5×12        | Screw M5×12                                  | 16         |    |
| 16        | 41801042        | Y丝杆支撑端轴承座      | Y screw rod support end bearing              | 1          |    |
| 17        | 418S30218       | 一字球面圆柱头螺钉M4×7  | Slotted cylindrical head screws M4×7         | 2          |    |
| 18        | S05040          | 螺钉M6×16        | Screw M6×16                                  | 4          |    |
| 19        | B01033          | 轴承6203         | Bearing 6203                                 | 1          |    |
| 20        | 142024002       | Y丝杆组件          | Y screw assembly                             | 1          |    |
| 21        | 421S13059       | 螺钉M5×20        | Screw M5×20                                  | 4          |    |
| 22        | 41836011        | 油管接头M6         | straight tubing connector M6                 | 1          |    |
| 23        | 141821006       | 油管             | Tubing                                       | 1          |    |
| 24        | 142024001       | Y导轨            | Y rail                                       | 2          |    |
| 25        | S05124          | 螺钉M5×16        | Screw M5×16                                  | 22         |    |
| 26        | 141822009       | 橡胶头螺钉M6        | Rubber head screw M6                         | 4          |    |
| 27        | N01021          | M6螺母           | M6 nut                                       | 4          |    |
| 28        | 417S30036       | 螺钉M5×12        | Screw M5×12                                  | 8          |    |
| 29        | 142012057       | Y前限位板          | Y front limit plate                          | 2          |    |
| 30        | 41812028        | Y限位板B          | Y limit plate B                              | 2          |    |
| 31        | 4181202900      | Y感应片组件         | Y sensor plate assembly                      | 1          |    |
| 32        | S05133          | 螺钉M4×12        | Screw M4×12                                  | 2          |    |
| 33        | 41812023        | Y传感器安装座        | Y sensor mount                               | 1          |    |
| 34        | 12912326        | 铜线夹            | Copper wire clip                             | 1          |    |
| 35        | 417S30302       | 螺钉M4×12        | Screw M4×12                                  | 2          |    |
| 36        | 41730851        | 传感器            | sensor                                       | 1          |    |
| 37        | S04082          | 螺钉M3×6         | Screw M3×6                                   | 1          |    |
| 38        | 141812169       | 横梁调节板          | Beam adjustment plate                        | 1          |    |
| 39        | S05133          | 螺钉M4×12        | Screw M4×12                                  | 2          |    |
| 40        | S05119          | 螺钉M4×20        | Screw M4×20                                  | 1          |    |
| 41        | N01024          | 六角螺母M4         | Hex nut M4                                   | 2          |    |
| 42        | S04125          | 十字槽盘头螺钉M4×50   | Cross recessed pan head screws M4×50         | 1          |    |
| 43        | N01024          | 六角螺母 M4        | Hex nut M4                                   | 1          |    |
| 44        | S04076          | 螺钉M3×8         | Screw M3×8                                   | 4          |    |
| 45        | 41812145        | 储油脂盒盖板         | Cover for grease storage box                 | 1          |    |
| 46        | 41842042        | 活塞芯子           | Piston core                                  | 1          |    |
| 47        | 41822016        | 型圈17×2.65      | 17×2.65                                      | 2          |    |
| 48        | 41842041        | 丝杠储油脂盒         | Screw grease storage box                     | 1          |    |
| 49        | 41836011        | 油管接头M6         | straight tubing connector M6                 | 1          |    |
| 50        | 141822015       | 组合垫片           | Combination gasket                           | 1          |    |
| 51        | S04038          | 螺钉M6×10        | Screw M6×10                                  | 1          |    |
| 52        | 41837102        | 导轨注油标签         | Rail oil filling label                       | 1          |    |



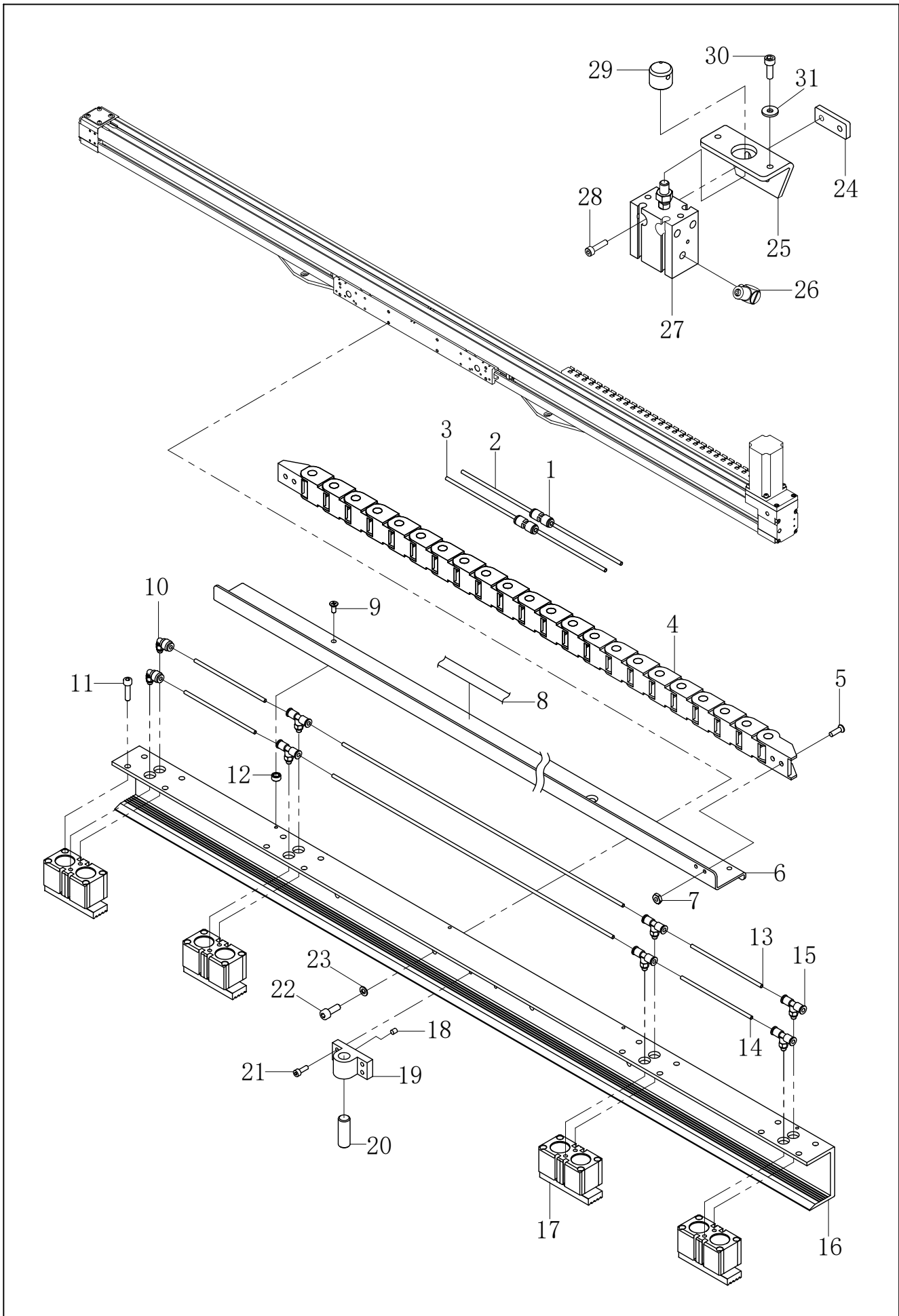
## E2、Y丝杆润滑 / Y Screw rod lubrication



## E2、Y丝杆润滑 / Y Screw rod lubrication

| 序号<br>No. | 件号<br>Part. No. | 零部件名称        | NAME OF PARTS                                    | 数量<br>Amt. | 备注 |
|-----------|-----------------|--------------|--|------------|----|
| 1         | S04125          | 十字槽盘头螺钉M4×50 | Cross recessed pan head screws M4×50             | 1          |    |
| 2         | N01024          | 六角螺母 M4      | Hex nut M4                                       | 1          |    |
| 3         | S04076          | 螺钉M3×8       | Screw M3×8                                       | 4          |    |
| 4         | 41812145        | 储油脂盒盖板       | Cover for grease storage box                     | 1          |    |
| 5         | 41842042        | 活塞芯子         | Piston core                                      | 1          |    |
| 6         | 41822016        | 型圈17×2.65    | 17×2.65  | 2          |    |
| 7         | 41842041        | 丝杠储油脂盒       | Screw grease storage box                         | 1          |    |
| 8         | 41836011        | 铜卡套式直通油管接头M6 | Copper ferrule type straight tubing connector M6 | 1          |    |
| 9         | 141822015       | 组合垫片         | Combination gasket                               | 1          |    |
| 10        | S04038          | 螺钉M6×10      | Screw M6×10                                      | 1          |    |
| 11        | 41837102        | 导轨注油标签       | Rail oil filling label                           | 1          |    |

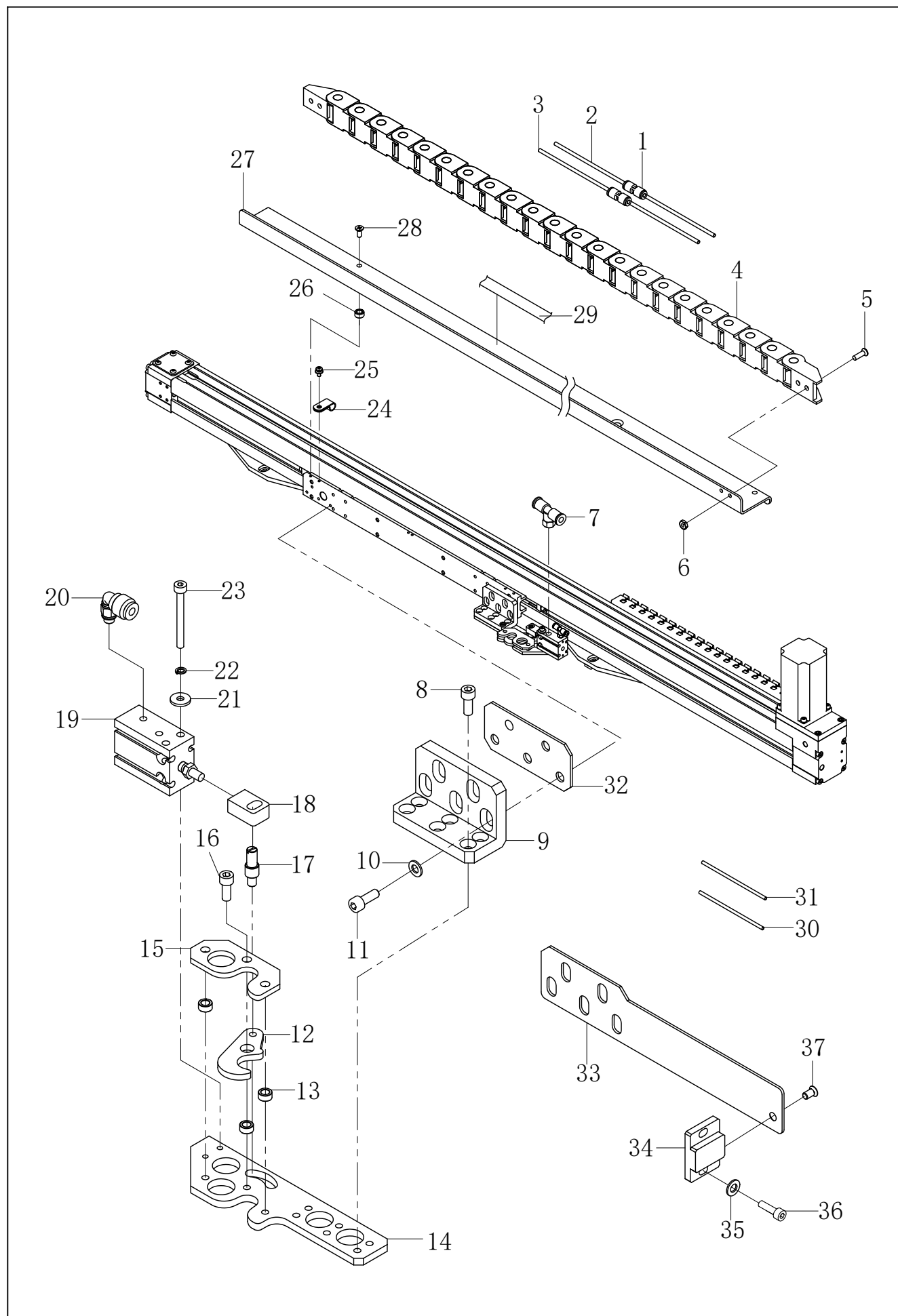
# F1、压紧夹具装置(T) / Clamping fixture mechanism (T)



F1、压紧夹具装置(T) / Clamping fixture mechanism (T)

| 序号<br>No. | 件号<br>Part. No. | 零部件名称        | NAME OF PARTS                        | 数量<br>Amt. | 备注 |
|-----------|-----------------|--------------|--------------------------------------|------------|----|
| 1         | 41836501        | 管接头PU4       | JOINT PU4                            | 2          |    |
| 2         | 41845223        | 气管Φ4×2.5透明蓝  | tube Φ4×2.5 transparent blue         | 1.2        |    |
| 3         | 41845224        | 气管Φ4×2.5黑色   | tube Φ4×2.5 black                    | 1.2        |    |
| 4         | 41811500        | 小坦克链         | Small tank chain                     | 1          |    |
| 5         | S02127          | 沉头螺钉M3×10    | screw M3×10                          | 2          |    |
| 6         | 41842504        | 拖链导板         | Drag chain guide                     | 1          |    |
| 7         | N08008          | 自锁螺母M3       | screw M3                             | 2          |    |
| 8         | 141831029       | 特氟龙胶带0.13×25 | Teflon tape 0.13×25                  | 1          |    |
| 9         | 407S17001       | 沉头螺钉M4×10    | screw M3×10                          | 4          |    |
| 10        | 42536004        | 气管接头         | PIPE JOINTS                          | 2          |    |
| 11        | S05124          | 螺钉M5×16      | screw M5×16                          | 16         |    |
| 12        | 41842503        | 拖链导板垫块       | Towline guide pad                    | 4          |    |
| 13        | 41845223        | 气管Φ4×2.5透明蓝  | tube Φ4×2.5 transparent blue         | 1          |    |
| 14        | 41845224        | 气管Φ4×2.5黑色   | tube Φ4×2.5 black                    | 1          |    |
| 15        | 42536003        | 气管接头         | tube joint                           | 6          |    |
| 16        | 41842502        | 压框架          | Pressure frame                       | 1          |    |
| 17        | 141845015       | 气缸           | air cylinder                         | 4          |    |
| 18        | S09019          | 螺钉M5×5       | screw M5×5                           | 1          |    |
| 19        | 42512028        | 限位支座         | Limit bearing                        | 1          |    |
| 20        | 42526008        | 限位销          | Limit pin                            | 1          |    |
| 21        | S05133          | 螺钉M4×12      | screw M4×12                          | 4          |    |
| 22        | S05124          | 螺钉M5×16      | screw M4×16                          | 8          |    |
| 23        | 41728028        | 垫圈5          | washer 5                             | 8          |    |
| 24        | 141812196       | 螺纹板          | Threaded plate                       | 2          |    |
| 25        | 141812199       | 顶模板气缸安装板     | Top template cylinder mounting plate | 2          |    |
| 26        | 42230519        | 微型接头M-5HLH-4 | Mini connector M-5HLH-4              | 2          |    |
| 27        | 142045005       | 气缸MSD16×5    | Air cylinder MSD16×5                 | 2          |    |
| 28        | S05119          | 螺钉M4×20      | Screw M4×20                          | 4          |    |
| 29        | 41842038        | 顶柱           | Rod                                  | 2          |    |
| 30        | S05118          | 螺钉M4×16      | Screw M4×16                          | 4          |    |
| 31        | W01001          | 垫片           | Gasket                               | 4          |    |

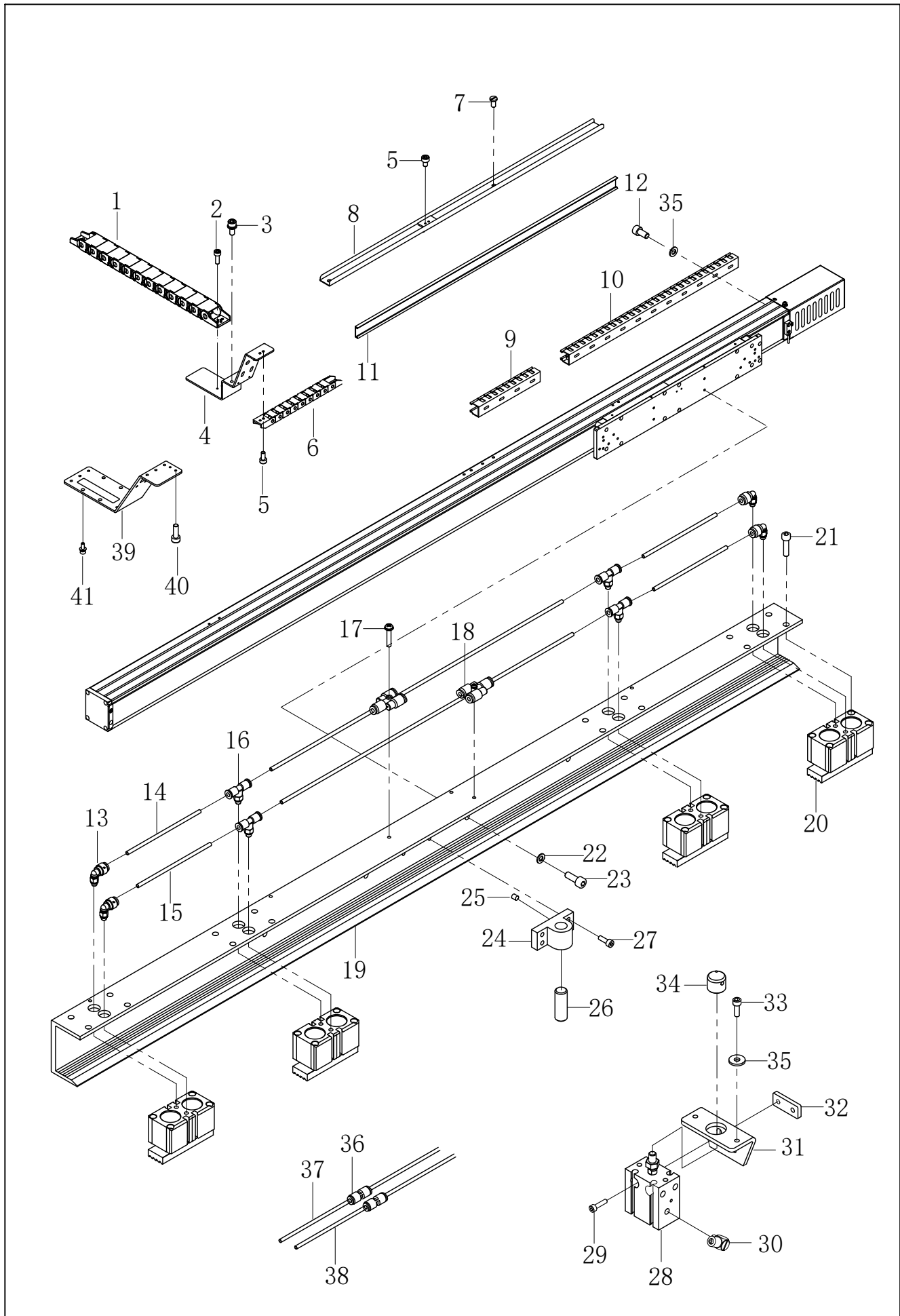
# F2、夹扣夹具装置(T) / Clamping fixture mechanism (T)



F2、夹扣夹具装置(T) / Clamping fixture mechanism (T)

| 序号<br>No. | 件号<br>Part. No. | 零部件名称          | NAME OF PARTS              | 数量<br>Amt. | 备注 |
|-----------|-----------------|----------------|----------------------------|------------|----|
| 1         | 41836501        | 管接头PU4         | Weasand connector PU4      | 2          |    |
| 2         | 41845223        | 气管 φ4×2.5透明蓝   | Blue weasand φ4×2.5        | 1.2        |    |
| 3         | 41845224        | 气管 φ4×2.5黑色    | Black weasand φ4×2.5       | 1.2        |    |
| 4         | 41811500        | 小坦克链           | Panzer chain               | 1          |    |
| 5         | S02127          | 沉头螺钉M3×10      | Screw M3×10                | 2          |    |
| 6         | N08008          | 自锁螺母M3         | Nut M3                     | 2          |    |
| 7         | 42536003        | 气管接头           | Weasand connector          | 2          |    |
| 8         | S05121          | 螺钉M5×10        | Bolt M5×10                 | 12         |    |
| 9         | 41842218        | 夹具连接板B         | Clamp Connection plate B   | 2          |    |
| 10        | W01009          | 垫圈5            | Washer                     | 8          |    |
| 11        | S05124          | 螺钉M5×16        | Bolt M5×16                 | 8          |    |
| 12        | 42212813        | 夹紧杆            | Press bar                  | 2          |    |
| 13        | 42228811        | 转动垫圈           | Moving washer              | 6          |    |
| 14        | 42212538        | 夹具安装板L         | Clamp Installation board L | 2          |    |
| 15        | 42212607        | 夹紧杆挡板          | Press bar Baffle           | 2          |    |
| 16        | S05123          | 螺钉M5×12        | Bolt M5×12                 | 6          |    |
| 17        | 42226811        | 接头销            | Pin                        | 2          |    |
| 18        | 401727          | 接头             | Connecter                  | 2          |    |
| 19        | 41730441        | 气缸CU16-15D     | Cylinder CU16-15D          | 2          |    |
| 20        | 42536004        | 气管接头           | Weasand connector          | 2          |    |
| 21        | 42128003        | 垫圈             | Washer                     | 4          |    |
| 22        | W02008          | 弹簧垫圈2-4        | Spring Washer              | 4          |    |
| 23        | S05065          | 螺钉M4×40        | Screw M4×40                | 4          |    |
| 24        | 41711014        | 电线夹6.4         | Cord grip 6.4              | 3          |    |
| 25        | 417S30025       | 螺钉(带垫圈)M4×10DB | Bolt M4×10                 | 3          |    |
| 26        | 41842510        | 夹扣专用垫块         | Panzer chain Shim          | 3          |    |
| 27        | 41842504        | 拖链导板           | Panzer chain plate         | 1          |    |
| 28        | 407S04001       | 沉头螺钉M4×16      | Screw M4×16                | 3          |    |
| 29        | 141831029       | 防滑胶带25         | Teflon tape 0.13×25        | 1          |    |
| 30        | 41845224        | 气管 φ4×2.5黑色    | Black weasand φ4×2.5       | 1          |    |
| 31        | 41845223        | 气管 φ4×2.5透明蓝   | Blue weasand φ4×2.5        | 1          |    |
| 32        | 141812049       | 垫板             | Filler piece               | 1          |    |
| 33        | 141812048       | 夹扣感应片          | Clamp inductor             | 1          |    |
| 34        | 141842007       | 支撑座            | Support block              | 1          |    |
| 35        | W01001          | 垫圈             | Washer                     | 2          |    |
| 36        | S05116          | 螺钉M4×8         | Screw M4×8                 | 2          |    |
| 37        | S02039          | 开槽沉头螺钉M4×9     | Screw M4×9                 | 1          |    |

# F3、压紧夹具装置(S) / Clamping fixture mechanism (S)

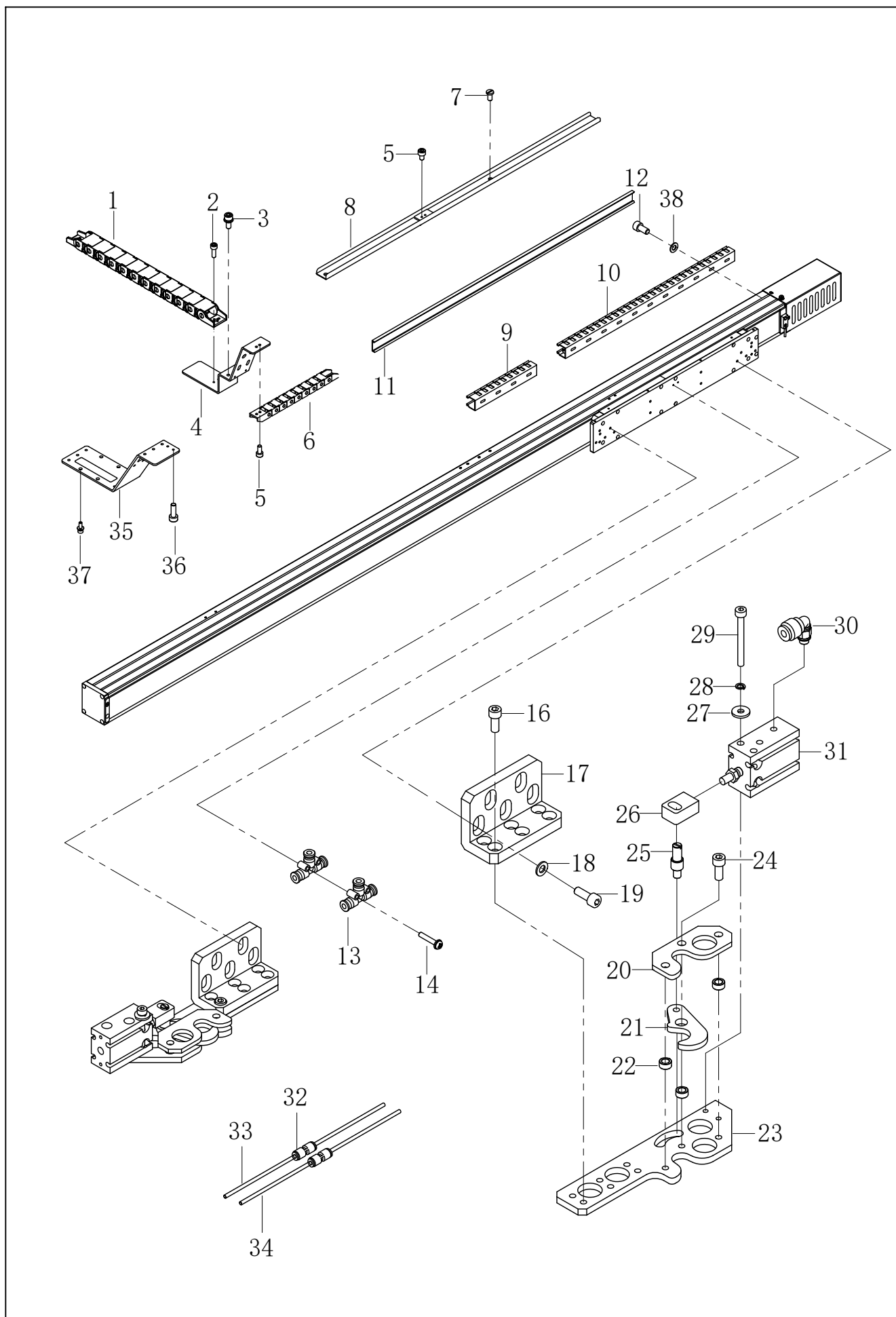


### F3、压紧夹具装置(S) / Clamping fixture mechanism (S)

| 序号<br>No. | 件号<br>Part. No. | 零部件名称        | NAME OF PARTS                        | 数量<br>Amt. | 备注        |
|-----------|-----------------|--------------|--------------------------------------|------------|-----------|
| 1         | 142011014       | 塑料拖链         | Plastic towline                      | 1          |           |
| 2         | S05116          | 螺钉M4×8       | Screw M4×8                           | 2          |           |
| 3         | 417S30036       | 螺钉(带垫圈)M5×12 | Screw M5×12                          | 2          |           |
| 4         | 930000510       | 丝杆Y拖链支架B     | Screw Y drag chain bracket B         | 1          | 142012124 |
| 5         | S05116          | 螺钉M4×8       | Screw M4×8                           | 2          |           |
| 6         | 141811001       | 小坦克链         | Small towline                        | 1          |           |
| 7         | 417S15008       | 螺钉M4×8       | Screw M4×8                           | 4          |           |
| 8         | 14181202600     | 丝杆拖链支架       | Drag chain bracket                   | 1          |           |
| 9         | 141811018       | 线槽3030L200   | Wire slot3030L200                    | 1          |           |
| 10        | 141811017       | 线槽3030L550   | Wire slot 3030L550                   | 1          |           |
| 11        | 141811019       | 线槽盖30L845    | Trunk cover30L845                    | 1          |           |
| 12        | 417S30025       | 螺钉(带垫圈)M4×10 | Screw M4×10                          | 5          |           |
| 13        | 42536004        | 气管接头         | PIPE JOINTS                          | 4          |           |
| 14        | 41845223        | 气管φ4×2.5透明蓝  | tube φ4×2.5 transparent blue         | 1          |           |
| 15        | 41845224        | 气管φ4×2.5黑色   | tube φ4×2.5 black                    | 1          |           |
| 16        | 42536003        | 气管接头         | tube joint                           | 4          |           |
| 17        | 417S30023       | 螺钉M3×16      | Screw M3×16                          | 2          |           |
| 18        | 40736036        | 气管接头(三通)     | tube joint                           | 2          |           |
| 19        | 41842502        | 压框架          | Pressure frame                       | 1          |           |
| 20        | 141845015       | 气缸           | air cylinder                         | 4          |           |
| 21        | S05124          | 螺钉M5×16      | screw M5×16                          | 16         |           |
| 22        | 41728028        | 垫圈5          | washer 5                             | 8          |           |
| 23        | S05124          | 螺钉M5×16      | screw M4×16                          | 8          |           |
| 24        | 42512028        | 限位支座         | Limit bearing                        | 1          |           |
| 25        | S09019          | 螺钉M5×5       | screw M5×5                           | 1          |           |
| 26        | 42526008        | 限位销          | Limit pin                            | 1          |           |
| 27        | S05133          | 螺钉M4×12      | screw M4×12                          | 4          |           |
| 28        | 142045005       | 气缸MSD16×5    | Air cylinder MSD16×5                 | 2          |           |
| 29        | S05119          | 螺钉M4×20      | Screw M4×20                          | 4          |           |
| 30        | 42230519        | 微型接头M-5HLH-4 | Mini connector M-5HLH-4              | 2          |           |
| 31        | 141812199       | 顶模板气缸安装板     | Top template cylinder mounting plate | 2          |           |
| 32        | 141812196       | 螺纹板          | Threaded plate                       | 2          |           |
| 33        | S05118          | 螺钉M4×16      | Screw M4×16                          | 4          |           |
| 34        | 41842038        | 顶柱           | Rod                                  | 2          |           |
| 35        | W01001          | 垫片           | Gasket                               | 9          |           |
| 36        | 41836501        | 管接头PU4       | Weasand connector PU4                | 2          |           |
| 37        | 41845223        | 气管φ4×2.5透明蓝  | tube φ4×2.5 transparent blue         | 1.2        |           |
| 38        | 41845224        | 气管φ4×2.5黑色   | tube φ4×2.5 black                    | 1.2        |           |
| 39        | 930000473       | 拖链支架         | Drag chain bracket                   | 1          | 142012062 |
| 40        | S05116          | 螺钉M4×8       | Screw M4×8                           | 2          |           |
| 41        | S05133          | 螺钉M4×12      | Screw M4×12                          | 4          |           |



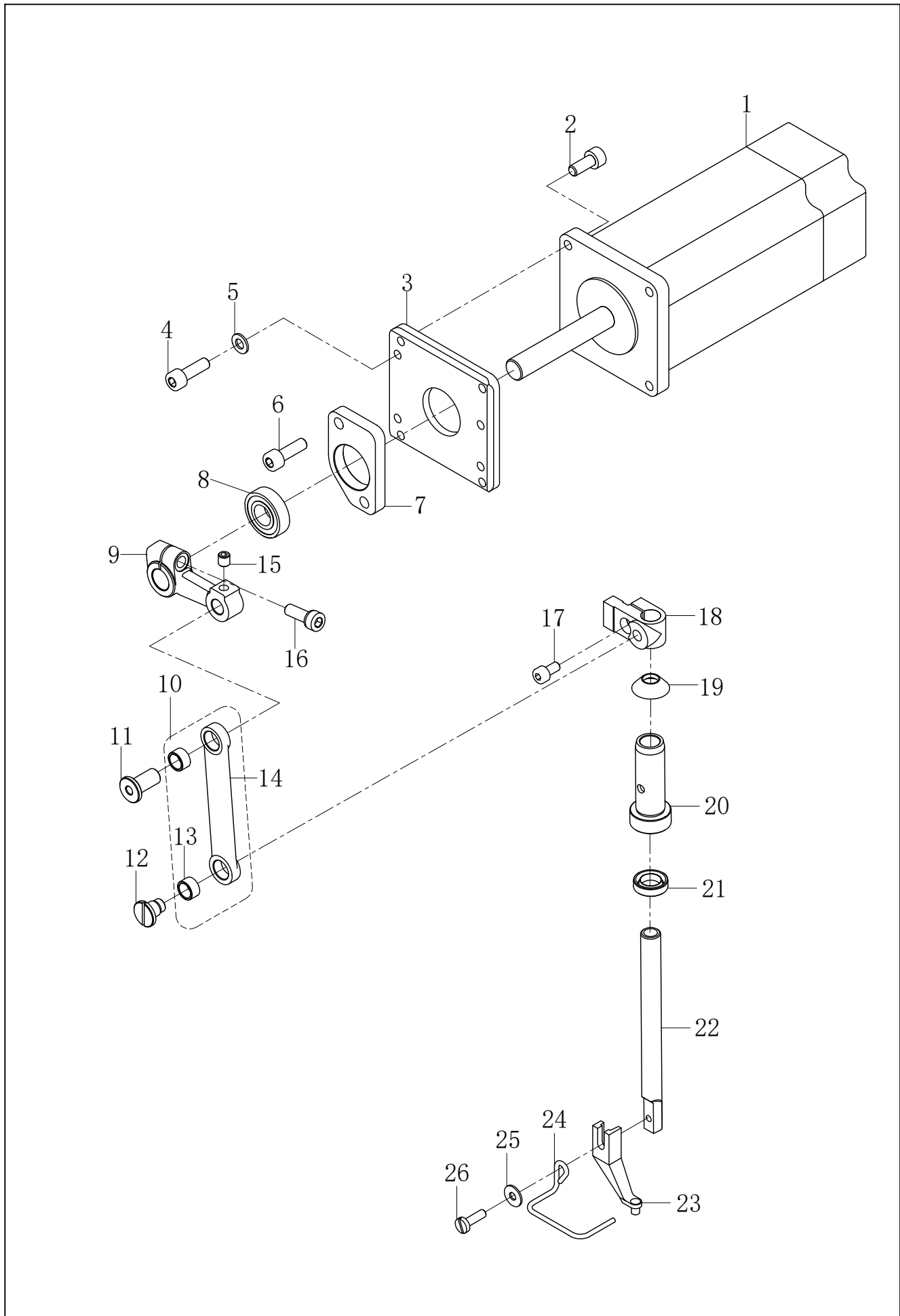
# F4、夹扣夹具装置(S) / Clamping fixture mechanism (S)



F4、夹扣夹具装置(S) / Clamping fixture mechanism (S)

| 序号<br>No. | 件号<br>Part. No. | 零部件名称        | NAME OF PARTS                | 数量<br>Amt. | 备注        |
|-----------|-----------------|--------------|------------------------------|------------|-----------|
| 1         | 142011014       | 塑料拖链         | Plastic towline              | 1          |           |
| 2         | S05116          | 螺钉M4×8       | Screw M4×8                   | 2          |           |
| 3         | 417S30036       | 螺钉(带垫圈)M5×12 | Screw M5×12                  | 2          |           |
| 4         | 930000510       | 丝杆Y拖链支架B     | Screw Y drag chain bracket B | 1          | 142012124 |
| 5         | S05116          | 螺钉M4×8       | Screw M4×8                   | 2          |           |
| 6         | 141811001       | 小坦克链         | Small towline                | 1          |           |
| 7         | 417S15008       | 螺钉M4×8       | Screw M4×8                   | 4          |           |
| 8         | 14181202600     | 丝杆拖链支架       | Drag chain bracket           | 1          |           |
| 9         | 141811018       | 线槽3030L200   | Wire slot3030L200            | 1          |           |
| 10        | 141811017       | 线槽3030L550   | Wire slot 3030L550           | 1          |           |
| 11        | 141811019       | 线槽盖30L845    | Trunk cover30L845            | 1          |           |
| 12        | 417S30025       | 螺钉(带垫圈)M4×10 | Screw M4×10                  | 5          |           |
| 13        | 141845002       | 气管接头(三通)     | Trachea joint                | 2          |           |
| 14        | 407S04053       | 螺钉M3×25      | Screw M3×25                  | 2          |           |
| 16        | S05121          | 螺钉M5×10      | Bolt M5×10                   | 12         |           |
| 17        | 41842218        | 夹具连接板B       | Clamp Connection plate B     | 2          |           |
| 18        | W01009          | 垫圈5          | Washer                       | 8          |           |
| 19        | S05124          | 螺钉M5×16      | Bolt M5×16                   | 8          |           |
| 20        | 42212607        | 夹紧杆挡板        | Press bar Baffle             | 2          |           |
| 21        | 42212813        | 夹紧杆          | Press bar                    | 2          |           |
| 22        | 42228811        | 转动垫圈         | Moving washer                | 6          |           |
| 23        | 42212538        | 夹具安装板L       | Clamp Installation board L   | 2          |           |
| 24        | S05123          | 螺钉M5×12      | Bolt M5×12                   | 6          |           |
| 25        | 42226811        | 接头销          | Pin                          | 2          |           |
| 26        | 401727          | 接头           | Connecter                    | 2          |           |
| 27        | 42128003        | 垫圈           | Washer                       | 4          |           |
| 28        | W02008          | 弹簧垫圈2-4      | Spring Washer                | 4          |           |
| 29        | S05065          | 螺钉M4×40      | Screw M4×40                  | 4          |           |
| 30        | 42536004        | 气管接头         | Weasand connector            | 4          |           |
| 31        | 41730441        | 气缸CU16-15D   | Cylinder CU16-15D            | 2          |           |
| 32        | 41836501        | 管接头PU4       | Weasand connector PU4        | 2          |           |
| 33        | 41845224        | 气管φ4×2.5黑色   | Black weasand φ4×2.5         | 2.2        |           |
| 34        | 41845223        | 气管φ4×2.5透明蓝  | Blue weasand φ4×2.5          | 2.2        |           |
| 35        | 930000473       | 拖链支架         | Drag chain bracket           | 1          | 142012062 |
| 36        | S05116          | 螺钉M4×8       | Screw M4×8                   | 2          |           |
| 37        | S05133          | 螺钉M4×12      | Screw M4×12                  | 4          |           |
| 38        | W01001          | 垫片           | Gasket                       | 5          |           |

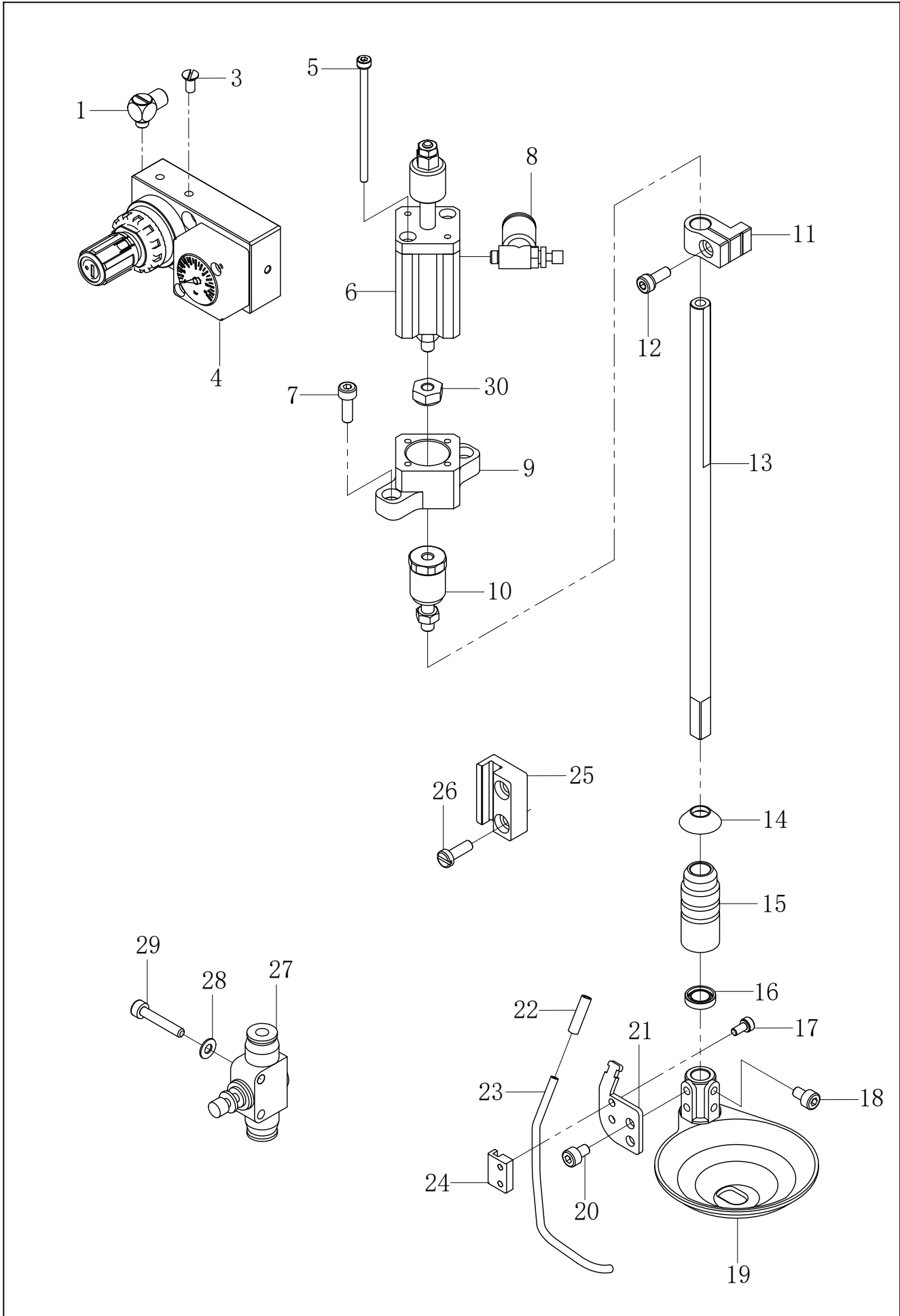
# G、电子中压脚装置 / Electronic presser foot mechanism



G、电子中压脚装置 / Electronic presser foot mechanism

| 序号<br>No. | 件号<br>Part. No. | 零部件名称             | NAME OF PARTS                             | 数量<br>Amt. | 备注 |
|-----------|-----------------|-------------------|---|------------|----|
| 1         | 142033004       | 中压脚电机             | Medium presser foot motor                 | 1          |    |
| 2         | S05123          | 螺钉M5×12           | Screw M5×12                               | 4          |    |
| 3         | 142012010       | 中压脚电机安装板          | Intermediate presser motor mounting plate | 1          |    |
| 4         | S05124          | 螺钉M5×16           | Screw M5×16                               | 4          |    |
| 5         | 41728028        | 垫圈5               | Washer 5                                  | 4          |    |
| 6         | S05123          | 螺钉M5×12           | Screw M5×12                               | 2          |    |
| 7         | 142001029       | 轴承安装板             | Bearing pedestal                          | 1          |    |
| 8         | B04036          | 球轴承61900          | Ball bearing 61900                        | 1          |    |
| 9         | 142004001       | 中压脚摇杆             | Intermediate presser rocker               | 1          |    |
| 10        | 14200500100     | 中压脚连杆组件           | Intermediate presser foot link assembly   | 1          |    |
| 11        | 142026002       | 连杆销               | Link pin                                  | 1          |    |
| 12        | 1420NS20001     | 轴位螺钉M6×0.75       | Screw M6×0.75                             | 1          |    |
| 13        | 142003006       | 工程塑料轴套GLW-0709-05 | plastic sleeve GLW-0709-05                | 2          |    |
| 14        | 142005001       | 中压脚连杆             | Intermediate presser connecting rod       | 1          |    |
| 15        | S09019          | 螺钉M5×5            | Screw M5×5                                | 1          |    |
| 16        | S05004          | 螺钉M5×14           | Screw M5×14                               | 1          |    |
| 17        | S05116          | 螺钉M4×8            | Screw M4×8                                | 1          |    |
| 18        | 41709020        | 压紧杆接头             | Compression rod connector                 | 1          |    |
| 19        | 41822101        | 橡胶套               | Rubber sleeve                             | 1          |    |
| 20        | 41803031        | 中压杆轴套             | Medium pressure rod bushing               | 1          |    |
| 21        | 41822612        | 油封9-15-4          | Oil seal 9-15-4                           | 1          |    |
| 22        | 142002004       | 压紧杆F              | Compression rod F                         | 1          |    |
| 23        | 42216505        | 中压脚               | Intermediate presser foot                 | 1          |    |
| 24        | 41712009        | 护指器               | Finger guard                              | 1          |    |
| 25        | 41728025        | 平垫圈L3.5           | Flat washer L3.5                          | 1          |    |
| 26        | 417S15011       | 螺钉SM3.57          | Screw SM3.57                              | 1          |    |

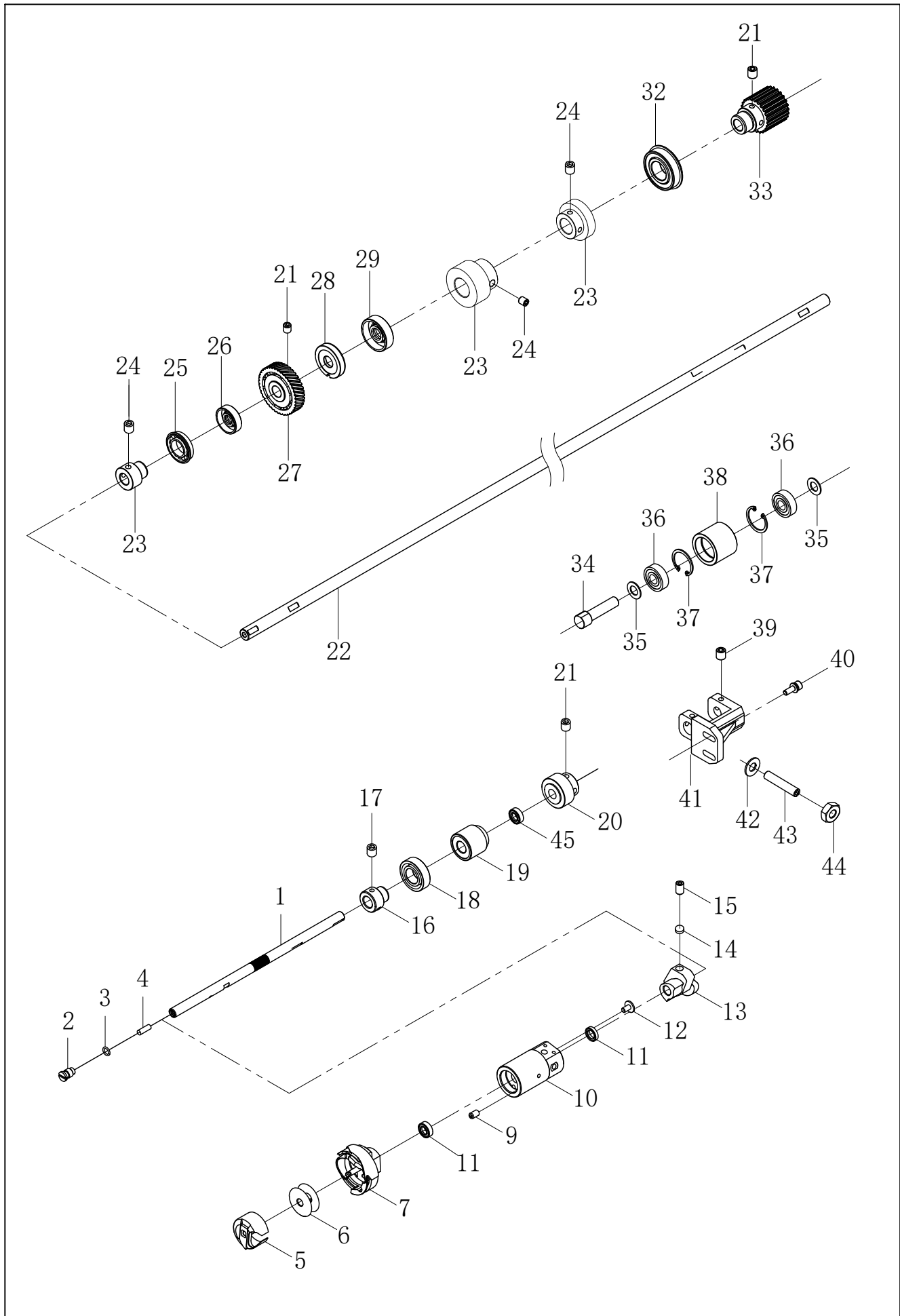
# H、大压脚装置 / External work clamp mechanism



## H、大压脚装置 / External work clamp mechanism

| 序号<br>No. | 件号<br>Part. No. | 零部件名称         | NAME OF PARTS                              | 数量<br>Amt. | 备注 |
|-----------|-----------------|---------------|--|------------|----|
| 1         | 42230519        | 微型接头M-5HLH-4  | Miniature connector M-5HLH-4               | 2          |    |
| 3         | S02039          | 开槽沉头螺钉M4×9    | Screw M4×9                                 | 2          |    |
| 4         | 142045019       | 压力调节器AR1000   | Pressure regulator mounting plate          | 1          |    |
| 5         | S05330          | 螺钉M3×45       | Screw M3×45                                | 2          |    |
| 6         | 142045004       | 行程可调节气缸12-15D | Stroke adjustable cylinder 12-15D          | 1          |    |
| 7         | S05133          | 螺钉M4×12       | Screw M4×12                                | 2          |    |
| 8         | 41845231        | 接头ASL4-M5     | Connector ASL4-M5                          | 2          |    |
| 9         | 142001006       | 大压脚气缸安装板      | Large presser foot cylinder mounting plate | 1          |    |
| 10        | 4250400600      | 浮动接头          | Floating joint                             | 1          |    |
| 11        | 142009005       | 大压脚压杆导架       | Large presser foot lever guide             | 1          |    |
| 12        | S05116          | 螺钉M4×8        | Screw M4×8                                 | 1          |    |
| 13        | 142002007       | 大压脚杆          | Large presser foot rod                     | 1          |    |
| 14        | 41822101        | 橡皮垫           | Rubber pad                                 | 1          |    |
| 15        | 142003008       | 大压杆防尘轴套       | Large pressure rod dustproof sleeve        | 1          |    |
| 16        | 11522001        | 油封            | Oil seal                                   | 1          |    |
| 17        | S05192          | 螺钉M3×6        | Screw M3×6                                 | 2          |    |
| 18        | S05115          | 螺钉M4×6        | Screw M4×6                                 | 2          |    |
| 19        | 14201600100     | 大压脚H组件        | Large presser foot H assembly              | 1          |    |
| 20        | S05115          | 螺钉M4×6        | Screw M4×6                                 | 2          |    |
| 21        | 142012021       | 铜管安装板         | Copper tube mounting plate                 | 1          |    |
| 22        | 141845007       | 软管TUS0425N    | Hose TUS0425N                              | 1          |    |
| 23        | 142021001       | 铜管U           | Copper tube U                              | 1          |    |
| 24        | 41801064        | 铜管压板          | Copper tube pressure plate                 | 1          |    |
| 25        | 42509004        | 导架滑槽          | Guide Chute                                | 1          |    |
| 26        | S05133          | 螺钉M4×12       | Screw M4×12                                | 2          |    |
| 27        | 41845232        | T形接管KJT04     | T type tube KJT04                          | 1          |    |
| 28        | W01002          | M3垫片          | M3 washer                                  | 1          |    |
| 29        | S01591          | 螺钉M3×18       | Screw M3×18                                | 1          |    |
| 30        | 407N01001       | 自锁螺母M5        | Self-locking nut M5                        | 1          |    |

# J、下轴装置 / Lower shaft mechanism

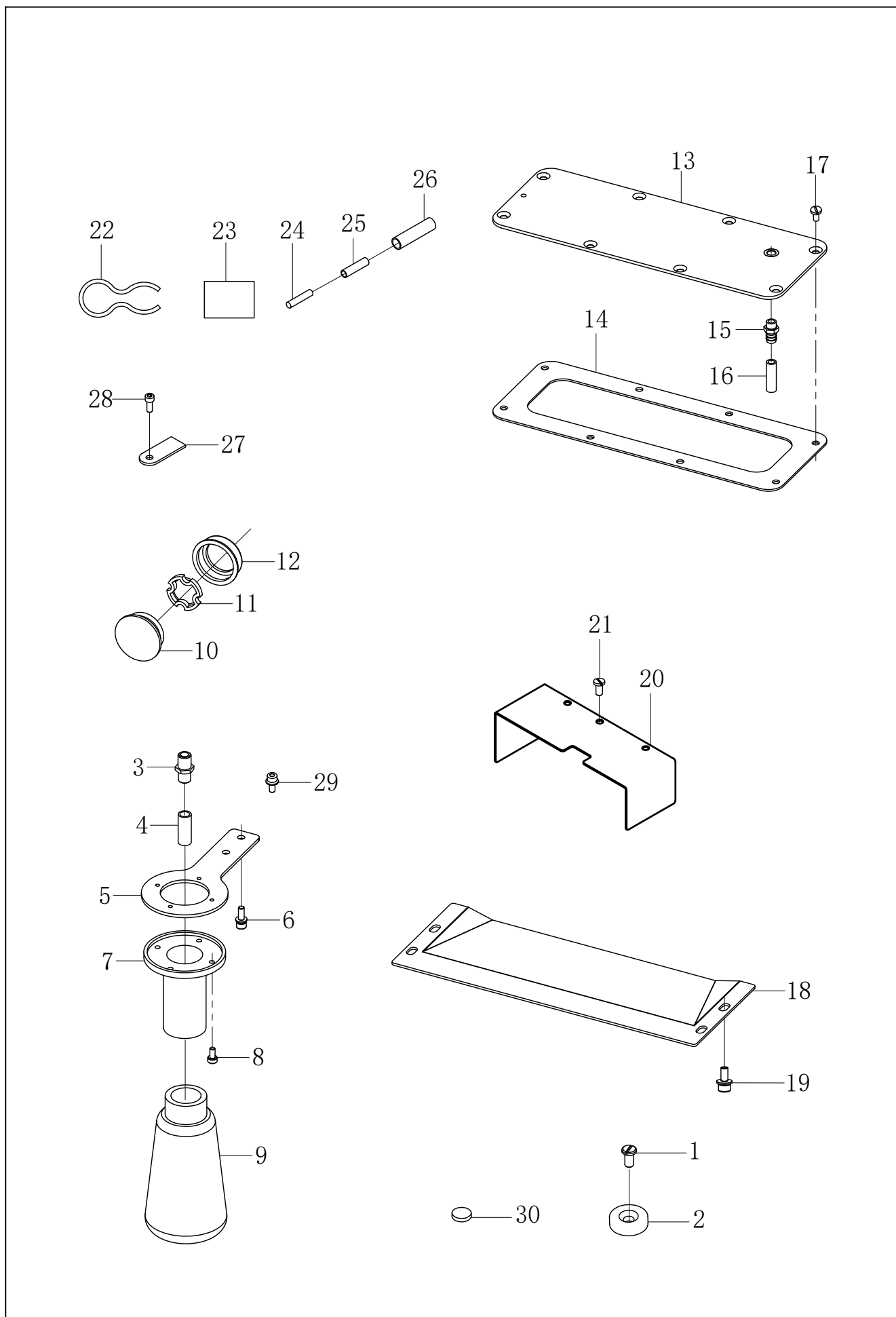


## J、下轴装置 / Lower shaft mechanism

| 序号<br>No. | 件号<br>Part. No. | 零部件名称          | NAME OF PARTS                       | 数量<br>Amt. | 备注 |
|-----------|-----------------|----------------|-------------------------------------|------------|----|
| 1         | 142002011       | 下轴C            | Lower shaft C                       | 1          |    |
| 2         | 141803006       | 下轴油芯套          | Lower shaft oil core sleeve         | 1          |    |
| 3         | 141822002       | O形圈3.6×0.8     | O ring 3.6×0.8                      | 1          |    |
| 4         | 141823001       | 下轴限油芯          | Lower shaft oil core                | 1          |    |
| 5         | 42218002        | 梭芯套组件          | Bobbin sleeve assembly              | 1          |    |
| 5         | 13818003        | 梭壳(1.3倍)       | Bobbin case (1.3 times)             | 1          | P  |
| 6         | 10818501        | 大梭心            | Big bobbin                          | 5          |    |
| 6         | 141818007       | 梭芯(1.3倍)       | Bobbin (1.3 times)                  | 5          | P  |
| 7         | 42218003        | 旋梭组件           | Rotary                              | 1          |    |
| 7         | 141818005       | 旋梭(1.6倍小旋梭)    | Small rotary (1.6 times)            | 1          | P  |
| 9         | S09006          | 螺钉M4×4         | Screw M4×4                          | 1          |    |
| 10        | 142003014       | 下轴柱塞轴套         | Lower shaft plunger sleeve          | 1          |    |
| 11        | 11522001        | 油封             | Oil seal                            | 2          |    |
| 12        | 421S13012       | 螺钉(带垫圈)M4×10   | Screw (with washer) M4×10           | 1          |    |
| 13        | 11510001        | 凸轮             | Cam                                 | 1          |    |
| 14        | 11309030        | 凸轮顶柱           | Push rod                            | 2          |    |
| 15        | 116S14005       | 螺钉SM1/4(40)×10 | Screw SM1/4(40)×10                  | 2          |    |
| 16        | 11403016        | 下轴轴承套          | Lower shaft bearing sleeve          | 1          |    |
| 17        | 113S14002       | 紧定螺钉           | Screw                               | 2          |    |
| 18        | B01060          | 轴承6901ZZ       | Bearings 6901ZZ                     | 1          |    |
| 19        | 142003017       | 下轴中轴套          | Lower shaft sleeve                  | 1          |    |
| 20        | 142025002       | 斜齿轮            | helical gear                        | 1          |    |
| 21        | S10019          | 紧定螺钉M6×6       | Screw M6×6                          | 3          |    |
| 22        | 142002009       | 下同步轮轴B         | Lower synchronous axle B            | 1          |    |
| 23        | 142024010       | 一体轴承6003       | Integrated bearing                  | 2          |    |
| 24        | 101S15002       | 送料轴挡圈螺钉        | Screw                               | 1          |    |
| 25        | B10023          | 轴承6903ZZNR     | bearing 6903ZZNR                    | 1          |    |
| 26        |                 | 油封             | Oil seal                            | 1          |    |
| 27        | 14202500100     | 大齿轮组件          | Large gear assembly                 | 1          |    |
| 28        | 13703034        | 下主动轴油封中套       | Lower driving shaft oil seal sleeve | 1          |    |
| 29        | 13722022        | 抬牙轴油封          | Lifting shaft oil seal              | 1          |    |
| 32        | B10012          | 轴承6004DDUNR    | Bearings 6004DDUNR                  | 1          |    |
| 33        | 41835018        | 下同步轮           | Lower synchronous wheel             | 1          |    |
| 34        | 41826017        | 张紧轮            | Tensioner                           | 1          |    |
| 35        | 41728001        | 平垫圈10          | Flat washer 10                      | 2          |    |
| 36        | B06006          | 轴承6000VV       | Bearings 6000VV                     | 2          |    |
| 37        | H01009          | 挡圈26           | THRUST COLLAR 26                    | 2          |    |
| 38        | 41803013        | 张紧轮            | Tensioner                           | 1          |    |
| 39        | S10019          | 内六角平端紧定螺钉M6×6  | Screw M6×6                          | 4          |    |
| 40        | 417S30306       | 螺钉M5×16        | Screw M5×16                         | 2          |    |
| 41        | 41801043        | 张紧轮支架          | Tensioner bracket                   | 1          |    |
| 42        | W01003          | 垫片6            | Washer 6                            | 1          |    |
| 43        | S10033          | 螺钉M6×30        | Screw M6×30                         | 1          |    |
| 44        | N01021          | M6螺母           | Nut M6                              | 1          |    |
| 45        | 10122015        | 下轴油封           | Lower shaft oil seal                | 1          |    |



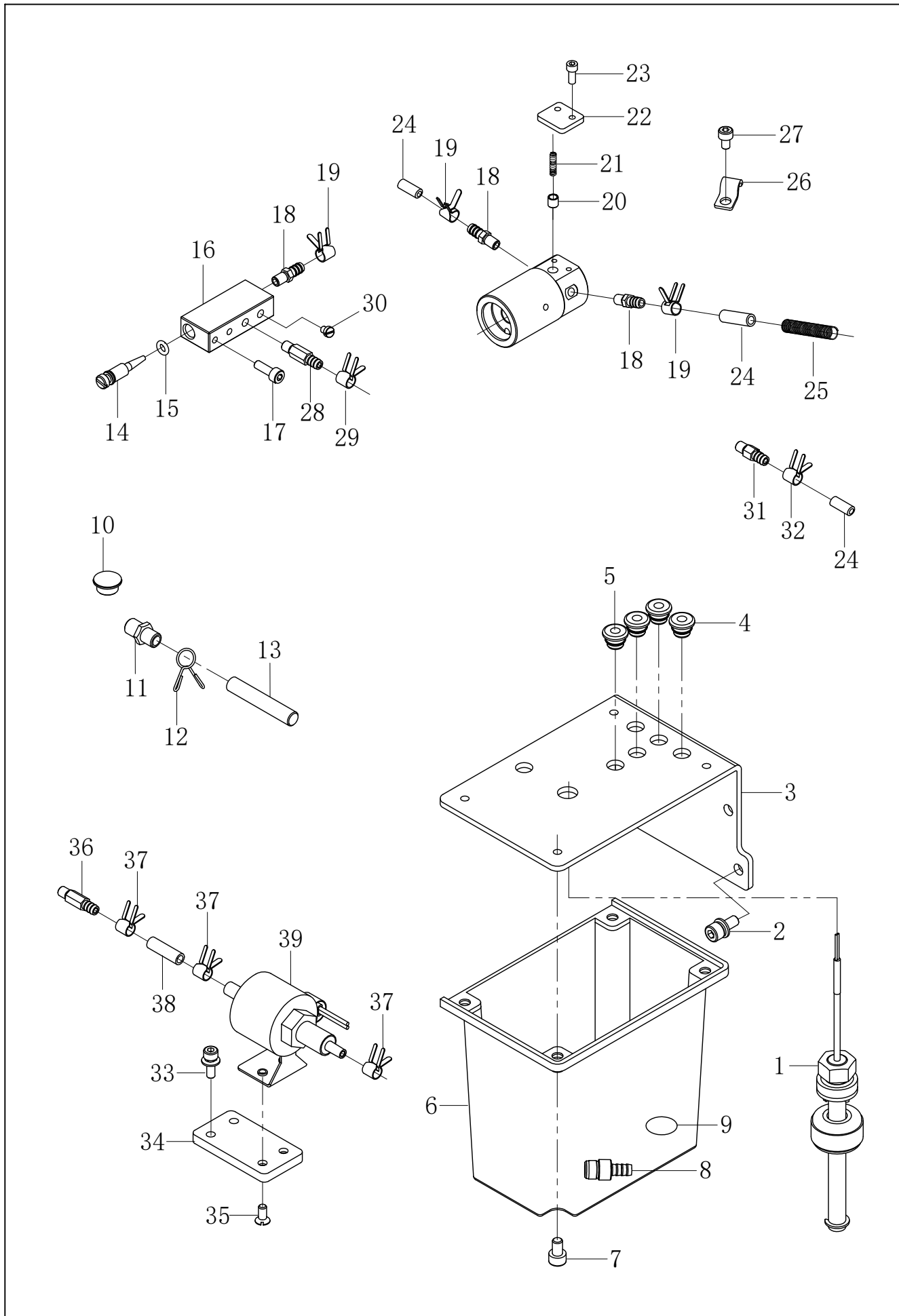
# K1、供油润滑装置 / Lubrication mechanism



## K1、供油润滑装置 / Lubrication mechanism

| 序号<br>No. | 件号<br>Part. No. | 零部件名称        | NAME OF PARTS                | 数量<br>Amt. | 备注 |
|-----------|-----------------|--------------|------------------------------|------------|----|
| 1         | S02039          | 沉头螺钉M4×9     | Screw M4×9                   | 1          |    |
| 2         | 142047002       | 圆磁铁15        | Round magnet 15              | 1          |    |
| 3         | 12936004        | 油管嘴          | OIL FEEDING PIPE             | 1          |    |
| 4         | 12921006        | 维尼龙油管(φ6×φ8) | Vinylon tubing (φ6×φ8)       | 0.3        |    |
| 5         | 41812014        | 废油壶安装板       | Waste oil pot mounting plate | 2          |    |
| 6         | 417S30306       | 螺钉(带垫圈)M5×15 | Screw (with washer) M5×15    | 2          |    |
| 7         | 40311010        | 油壶接头         | Oiler connector              | 2          |    |
| 8         | S04082          | 螺钉M3×6       | Screw M3×6                   | 4          |    |
| 9         | 40311011        | 接油壶          | Oil pot                      | 2          |    |
| 10        | 41711004        | 油窗盖          | Oil gauge cover              | 1          |    |
| 11        | 41711022        | 挡片           | BAFFLE PLATE                 | 1          |    |
| 12        | 41722031        | 橡胶圈          | Rubber band                  | 1          |    |
| 13        | 4181203600      | 齿轮箱盖板组件      | Gear box cover assembly      | 1          |    |
| 14        | 41812035        | 齿轮箱盖垫板       | Gear box cover plate         | 1          |    |
| 15        | 41736303        | 油嘴管B         | OIL FEEDING PIPE B           | 1          |    |
| 16        | 12921005        | 维尼龙油管(φ4×φ6) | Vinylon tubing (φ4×φ6)       | 0.05       |    |
| 17        | S02039          | 开槽沉头螺钉M4×9   | Screw M4×9                   | 8          |    |
| 18        | 142012044       | 挡油板          | Oil baffle                   | 1          |    |
| 19        | 421S13012       | 螺钉(带垫圈)M4×10 | Screw (with washer)M4×10     | 4          |    |
| 20        | 142012089       | 挡油板          | Oil baffle                   | 1          |    |
| 21        | 417S15008       | 螺钉M4×8       | ScrewM4×8                    | 3          |    |
| 22        | 10127015        | 回油毡夹         | Oil felt presser             | 1          |    |
| 23        | 142023003       | 油毡           | Oil supply felt              | 1          |    |
| 24        | 12923018        | 油线4×4        | OIL WICK 4×4                 | 2          |    |
| 25        | 12921005        | 维尼龙油管(φ4×φ6) | Vinylon tubing (φ4×φ6)       | 2          |    |
| 26        |                 | 黄蜡管          | Yellow wax tube              | 0.3        |    |
| 27        | 41712085        | 垫片           | Washer                       | 1          |    |
| 28        | S05116          | 螺钉M4×8       | ScrewM4×8                    | 1          |    |
| 29        | 417S30302       | 螺钉(带垫圈)M4×12 | Screw (with washer)M4×10     | 1          |    |
| 30        | 11401020        | 磁铁           | Round magnet                 | 2          |    |

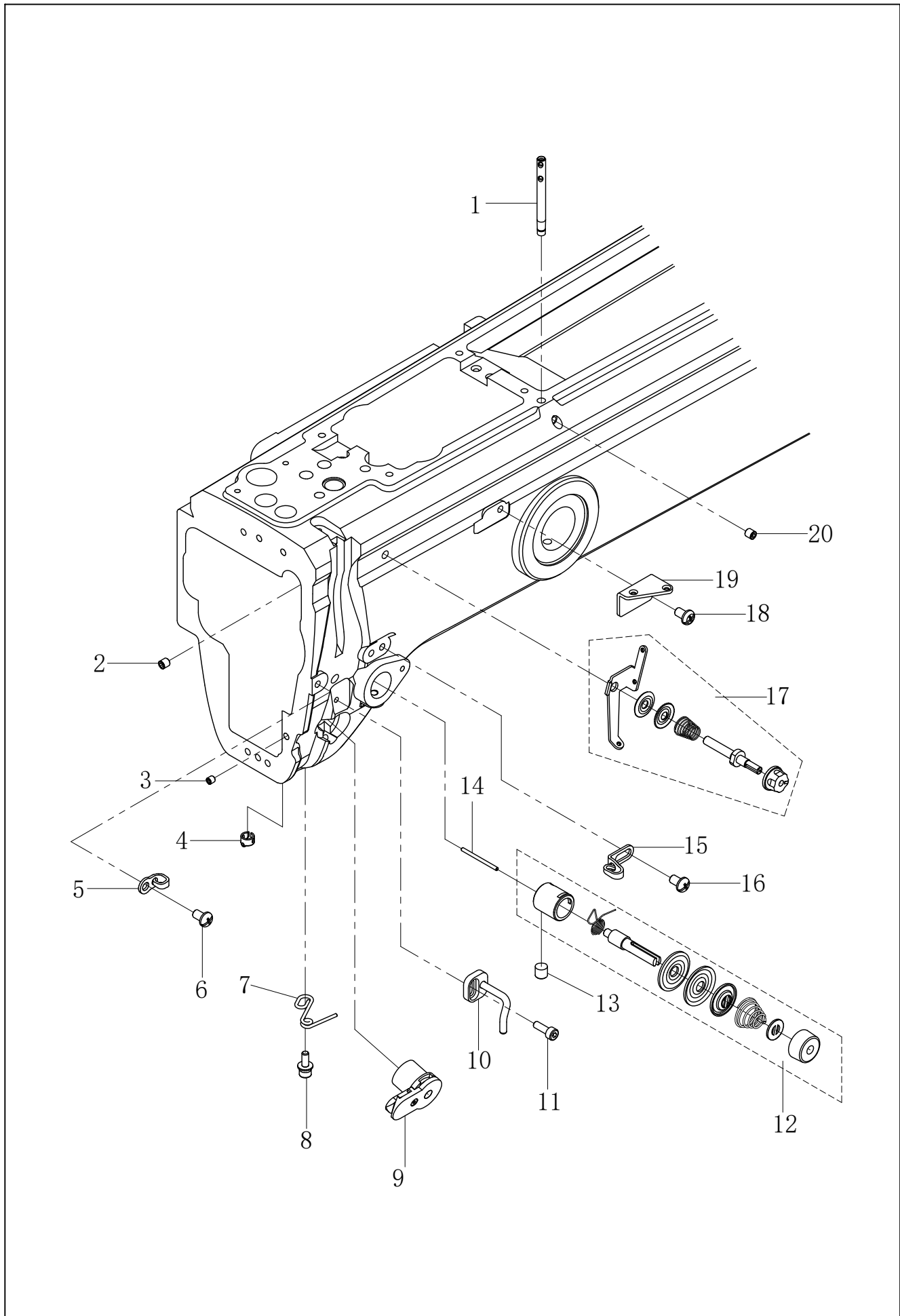
# K2、旋梭供油装置 / Fusier oil supply mechanism



## K2、旋梭供油装置 / Fusier oil supply mechanism

| 序号<br>No. | 件号<br>Part. No. | 零部件名称        | NAME OF PARTS                               | 数量<br>Amt. | 备注 |
|-----------|-----------------|--------------|---|------------|----|
| 1         | 142030003       | 油量报警器        | Fuel volume alarm                           | 1          |    |
| 2         | 417S30036       | 螺钉M5×12      | Screws M5×12                                | 2          |    |
| 3         | 142012045       | 油壶安装板        | Oiler mounting plate                        | 1          |    |
| 4         | 40322027        | 橡皮塞          | Rubber cap                                  | 5          |    |
| 5         | 10122005        | 橡皮塞          | Rubber cap                                  | 1          |    |
| 6         | 41811228        | 油杯           | Oil Cup                                     | 1          |    |
| 7         | S05120          | 螺栓M5×8       | Bolt M5×8                                   | 4          |    |
| 8         | 4183601700      | 滤网组件         | Filter assembly                             | 2          |    |
| 9         | 915624          | 磁铁15×1       | Magnet 15×1                                 | 1          |    |
| 10        | 41722003        | 橡皮塞10.5      | Rubber cap 10.5                             | 1          |    |
| 11        | 12936004        | 油管嘴          | OIL FEEDING PIPE                            | 1          |    |
| 12        | 12912038        | 油管夹          | TUBE CLIP                                   | 1          |    |
| 13        | 12921006        | 油管(Φ6×Φ8)    | TUBE(Φ6×Φ8)                                 | 0.3        |    |
| 14        | 418S30612       | 调节螺钉         | Adjusting screw                             | 1          |    |
| 15        | 001004          | O型橡胶密封圈4×1.8 | O type rubber sealing ring 4×1.8            | 1          |    |
| 16        | 142009002       | 调节阀座A        | Regulating seat A                           | 1          |    |
| 17        | S05133          | 螺钉M4×12      | Screw M4×12                                 | 2          |    |
| 18        | 41836015        | 油管嘴M5        | OIL FEEDING PIPE M5                         | 3          |    |
| 19        | 11412055        | 油管卡簧6        | Oil tube shap ring                          | 3          |    |
| 20        | 10526003        | 柱塞           | Plunger                                     | 1          |    |
| 21        | 11427021        | 柱塞弹簧         | Plunger spring                              | 1          |    |
| 22        | 41812093        | 柱塞弹簧压板       | Plunger spring pressure plate               | 1          |    |
| 23        | S05094          | 螺栓M3×8       | Bolt M3×8                                   | 2          |    |
| 24        | 12921002        | 维尼龙油管(Φ3xΦ5) | Vynylon tubing (Φ3×Φ5)                      | 1          |    |
| 25        | 142027001       | 回油管弹簧        | Return pipe spring                          | 1          |    |
| 26        | 12912326        | 线夹           | Wire clip                                   | 1          |    |
| 27        | S05115          | 螺钉M4×6       | Screws M4×6                                 | 1          |    |
| 28        | 142036001       | 加长油管嘴        | Lengthened OIL FEEDING PIPE                 | 1          |    |
| 29        | 11412055        | 油管卡簧6        | Oil pipe clamp spring 6                     | 1          |    |
| 30        | S04030          | 螺钉M5×6       | Screws M5×6                                 | 1          |    |
| 31        | 41836015        | 油管嘴M5        | OIL FEEDING PIPE M5                         | 1          |    |
| 32        | 11412055        | 油管卡簧6        | Oil pipe clamp spring 6                     | 1          |    |
| 33        | 417S30302       | 螺钉M4×12      | Screws M4×12                                | 2          |    |
| 34        | 142011004       | 电磁泵绝缘隔板A     | Electromagnetic pump insulation partition A | 1          |    |
| 35        | S02039          | 螺钉M4×9       | Screws M4×9                                 | 2          |    |
| 36        | 142036001       | 加长油管嘴        | Lengthened OIL FEEDING PIPE                 | 1          |    |
| 37        | 11412055        | 油管卡簧6        | Oil pipe clamp spring 6                     | 3          |    |
| 38        | 12921002        | 维尼龙油管(Φ3xΦ5) | Vynylon tubing (Φ3×Φ5)                      | 0.2        |    |
| 39        | 41820301        | 电磁泵          | Electromagnetic pump                        | 1          |    |

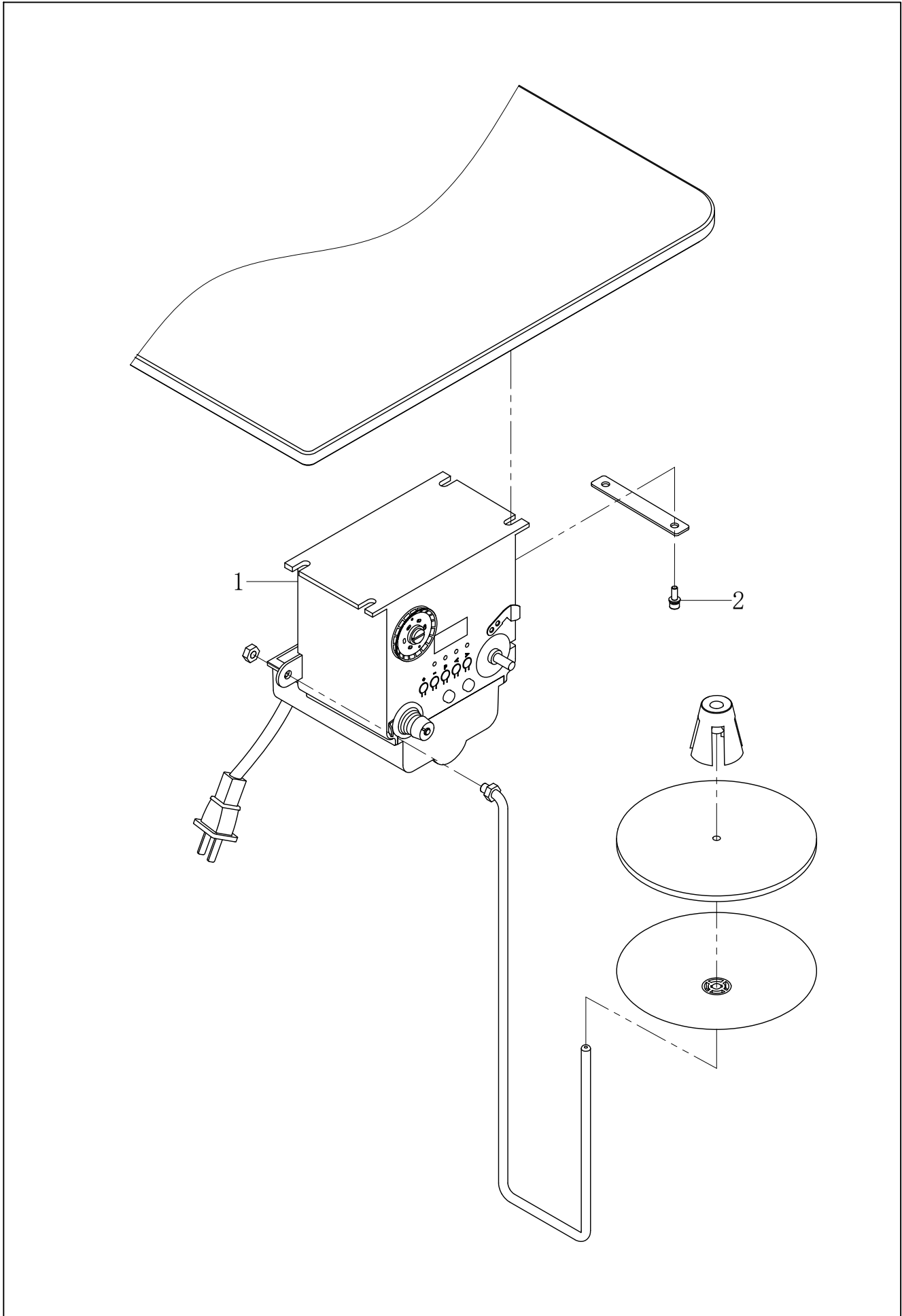
# L、穿线装置 / Threading mechanism



## L、穿线装置 / Threading mechanism

| 序号<br>No. | 件号<br>Part. No. | 零部件名称        | NAME OF PARTS                 | 数量<br>Amt. | 备注 |
|-----------|-----------------|--------------|-------------------------------|------------|----|
| 1         | 41313013        | 过线销          | Thread pin                    | 1          |    |
| 2         | S09019          | 螺钉M5×5       | Screw M5×5                    | 1          |    |
| 3         | S10007          | 凹端紧定螺钉M4×4   | Female set screws M4×4        | 1          |    |
| 4         | 41726014        | 针套           | Needle sleeve                 | 1          |    |
| 5         | 41712079        | 过线器C         | ARM thread device C           | 1          |    |
| 6         | S04028          | 螺钉M5×8       | Screw M5×8                    | 1          |    |
| 7         | 142012012       | 线导向F         | THREAD GUIDE F                | 1          |    |
| 8         | 421S13012       | 螺钉(带垫圈)M4×10 | Screw (with washer) M4×10     | 1          |    |
| 9         | 14203000900     | 电子夹线器组件      | THREAD TENSION ASM            | 1          |    |
| 10        | 14201300100     | 线勾组件         | Line hook components          | 1          |    |
| 11        | S05133          | 螺钉M4×12      | Screw M4×12                   | 1          |    |
| 12        | 4181361200      | 主夹线器组件       | THREAD TENSION REGULATOR ASSY | 1          |    |
| 13        | S10019          | 螺钉M6×6       | Screw M6×6                    | 1          |    |
| 14        | 41702031        | 松线销          | TENSION RELEASE PIN           | 1          |    |
| 15        | 41712078        | 过线导向B        | ARM THREAD GUIDE B            | 1          |    |
| 16        | S04028          | 螺钉M5×8       | Screw M5×8                    | 1          |    |
| 17        | 1381300400      | 小夹线器组件       | Small Thread tension ASM      | 1          |    |
| 18        | S04028          | 螺钉M5×8       | Screw M5×8                    | 1          |    |
| 19        | 41712077        | 过线导向A        | ARM THREAD GUIDE A            | 1          |    |
| 20        | S09019          | 螺钉M5×5       | Screw M5×5                    | 1          |    |

# M、卷线装置 / Bobbin winder mechanism

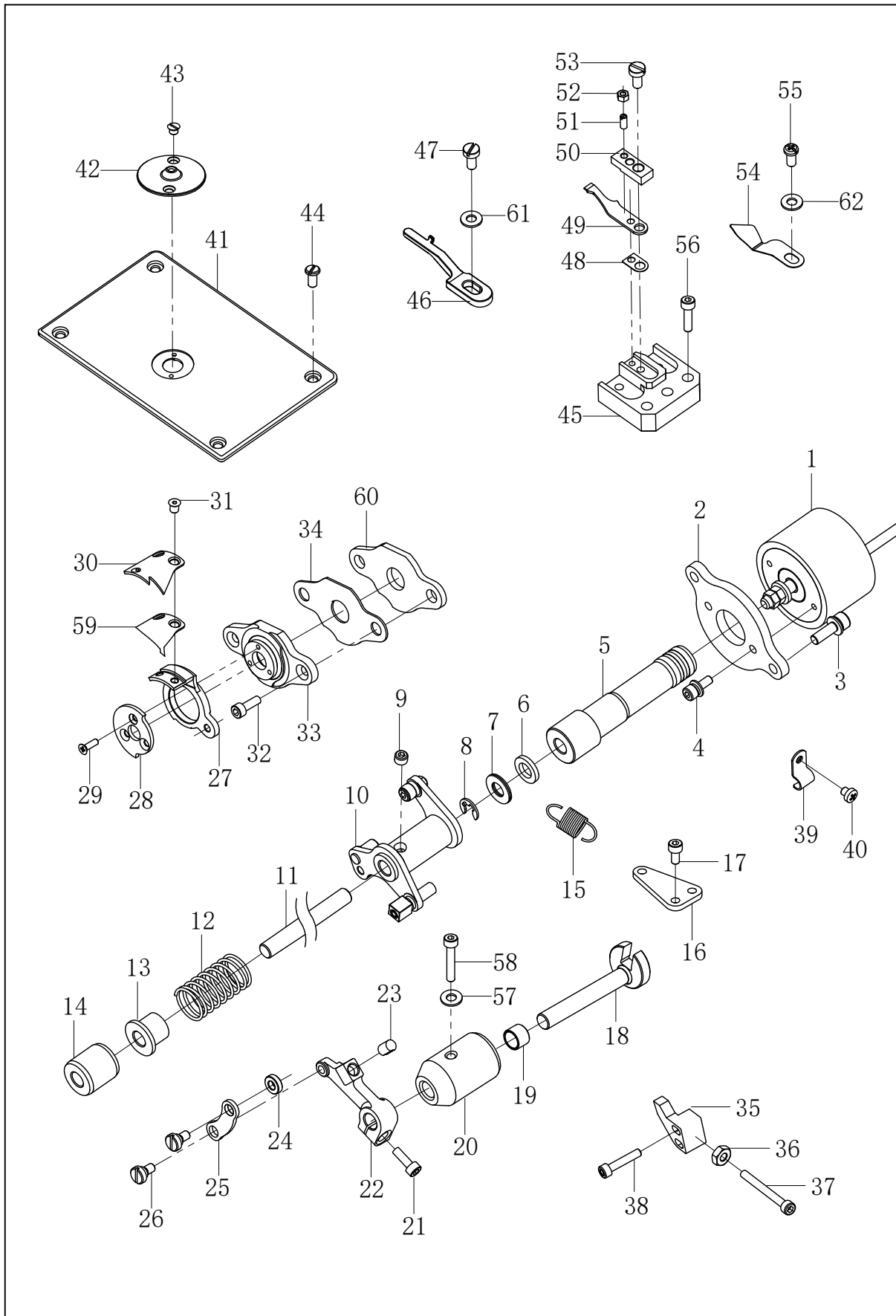


M、卷线装置 / Bobbin winder mechanism

| 序号<br>No. | 件号<br>Part. No. | 零部件名称        | NAME OF PARTS             | 数量<br>Amt. | 备注 |
|-----------|-----------------|--------------|---------------------------|------------|----|
| 1         | 41831222        | 自动绕线器BOSHITE | Automatic winder BOSHITE  | 1          |    |
| 2         | 417S30036       | 螺钉(带垫圈)M5×12 | Screw (with washer) M5×12 | 4          |    |



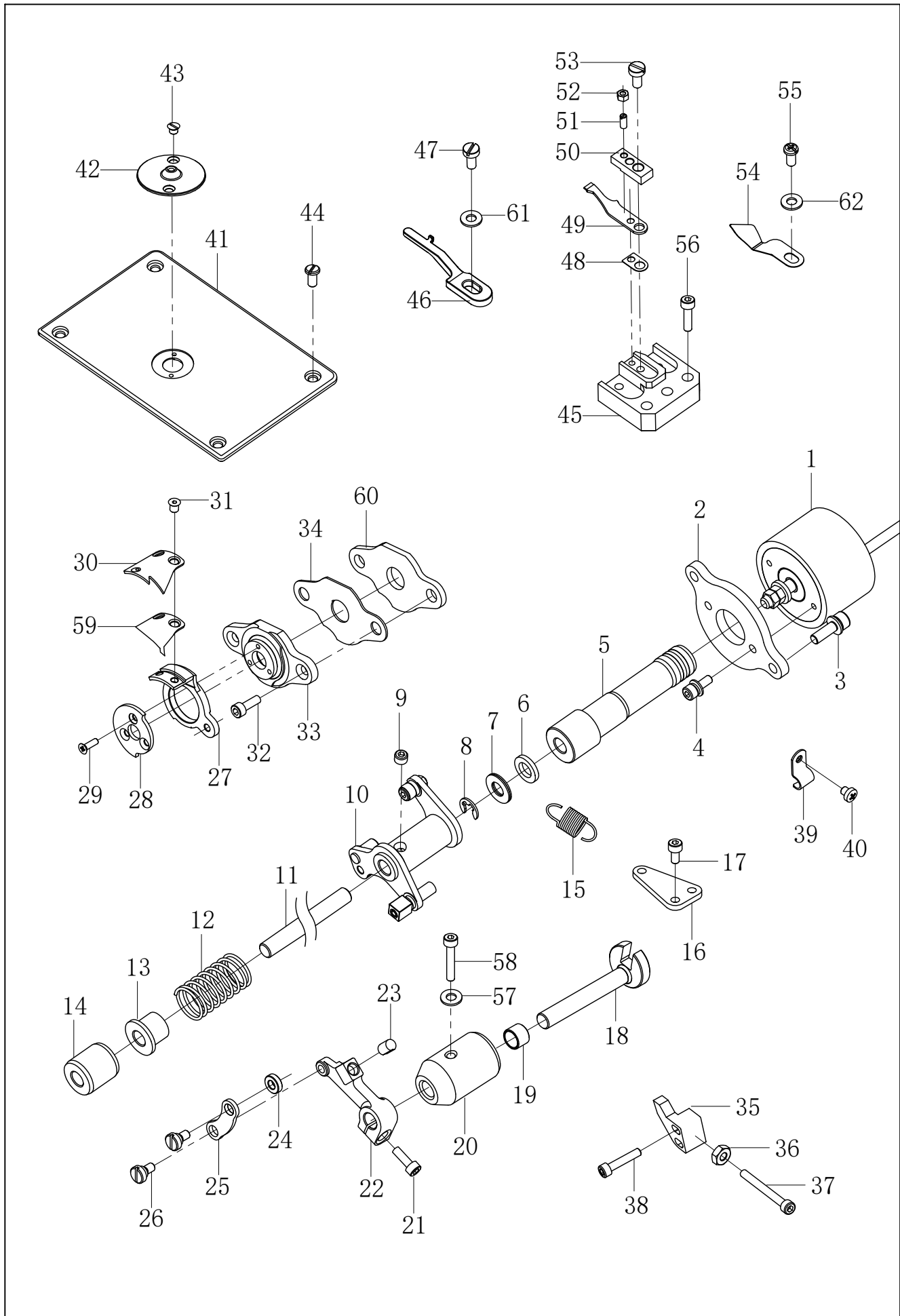
N1、切线装置 / Thread trimmer mechanism (圆刀)



N1、切线装置 / Thread trimmer mechanism (圆刀)

| 序号<br>No. | 件号<br>Part. No. | 零部件名称          | NAME OF PARTS                       | 数量<br>Amt. | 备注 |
|-----------|-----------------|----------------|-------------------------------------|------------|----|
| 1         | 142030002       | 剪线电磁铁E         | Trimmer solenoid E                  | 1          |    |
| 2         | 142012046       | 剪线电磁铁安装板       | Trimmer solenoid install plate      | 1          |    |
| 3         | 417S30306       | 螺钉(带垫圈)M5×15   | Screw (with washer) M5×15           | 2          |    |
| 4         | 417S30036       | 螺钉(带垫圈)M5×15   | Screw (with washer) M5×15           | 2          |    |
| 5         | 142003015       | 切线轴挡套          | Tangent shaft retaining sleeve      | 1          |    |
| 6         | 11322003        | 电磁铁缓冲垫         | Solenoid Buffer gasket              | 1          |    |
| 7         | 10112003        | 针杆曲柄护板         | Needle bar crank protecting plate   | 2          |    |
| 8         | H05031          | 挡圈E6           | Retaining ring E6                   | 1          |    |
| 9         | 116S14003       | 针杆曲柄销定位螺钉      | Needle bar crank pin positioning    | 1          |    |
| 10        | 1150400200      | 切线凸轮曲柄组件       | Tangent cam crank assembly          | 1          |    |
| 11        | 142002012       | 切线驱动轴          | Tangent drive shaft                 | 1          |    |
| 12        | 11327002        | 弹簧             | Spring                              | 1          |    |
| 13        | 11322002        | 扭簧端盖           | Spring cover                        | 1          |    |
| 14        | 11503004        | 切刀驱动轴轴套        | Thread Trimming Shaft sleeve        | 1          |    |
| 15        | 11527001        | 复位弹簧           | Reset spring                        | 1          |    |
| 16        | 41812508        | 弹簧挂钩板C         | Spring hook plate                   | 1          |    |
| 17        | 417S30302       | 螺钉(带垫圈)M4×12   | Screw (with washer) M4×12           | 2          |    |
| 18        | 42201526        | 切线凸轮曲柄轴        | Tangent cam crankshaft              | 1          |    |
| 19        | 42203517        | 切线曲柄轴短套        | Tangent crankshaft short sleeve     | 1          |    |
| 20        | 142003009       | 切线轴套           | Tangent bushing                     | 1          |    |
| 21        | S05004          | 螺钉M5×14        | Screw M5×14                         | 1          |    |
| 22        | 13104006        | 切线曲柄           | Tangent crankshaft                  | 1          |    |
| 23        | 11511001        | 驱动曲柄止动块        | Crank driver stopper block          | 1          |    |
| 24        | 13128003        | 连杆垫片           | Connecting rod gasket               | 1          | L  |
| 25        | 11505001        | 连杆             | Connecting rod                      | 1          |    |
| 25        | 142005008       | 连杆A            | Connecting rod A                    | 1          | P  |
| 26        | 113S20001       | 连杆螺钉           | Connecting rod screw                | 2          |    |
| 26        | 418S20214       | 轴位螺钉           | Axial screw                         | 2          | P  |
| 27        | 13107002        | 剪线刀架           | Knife bracket                       | 1          |    |
| 27        | 11501001        | 剪线刀架           | Knife bracket                       | 1          | P  |
| 28        | 42212668        | 异形刀架压板         | Shaped knife holder pressure plate  | 1          |    |
| 29        | S02031          | 螺钉M3×5         | Screw M3×5                          | 3          |    |
| 30        | 13119004        | 动刀             | Movable knife                       | 1          |    |
| 30        | 11319002        | 活动刀(薄料长槽)      | Movable knife (Long slot for thin   | 1          | P  |
| 31        | 113S17002       | 活动刀固定螺钉        | Movable knife fixed screw           | 2          |    |
| 32        | S05133          | 螺钉M4×12        | Screw M4×12                         | 2          |    |
| 33        | 42209596        | 剪线刀架支座         | Thread cutter holder                | 1          |    |
| 34        | 41831801        | 动刀座垫片          | Movable knife seat washer           | 1          |    |
| 35        | 142009003       | 切线调节块          | Tangent adjustment block            | 1          |    |
| 36        | N01004          | 六角螺母M5         | Hexagon nut M5                      | 1          |    |
| 37        | L01864          | 螺钉M5×50        | Screws M5×50                        | 1          |    |
| 38        | S05035          | 螺钉M5×25        | Screws M5×25                        | 2          |    |
| 39        | 12912326        | 线夹             | Thread clamp                        | 2          |    |
| 40        | S05115          | 螺钉M4×6         | Screws M4×6                         | 2          |    |
| 41        | 142015001       | 针板             | Needle plate                        | 1          |    |
| 42        | 41815011        | 针孔板 φ1.8T2.0   | Pinhole plate φ1.8T2.0              | 1          |    |
| 43        | 417S17001       | 螺钉SM2.38       | Screw SM2.38                        | 2          |    |
| 44        | 417S15008       | 螺钉M4×8         | Screw M4×8                          | 4          |    |
| 45        | 142001008       | 定位勾组件安装座       | Positioning hook component mounting | 1          |    |
| 45        | 142001011       | 定位勾组件安装座(1.3倍) | Positioning hook component mounting | 1          | P  |
| 46        | 141812022       | 定位勾            | Positioning hook                    | 1          |    |
| 47        | S05004          | 内六角圆柱头螺钉M5×14  | Hexagon socket head bolt M5×14      | 1          |    |
| 48        | 142012085       | 定刀垫片           | Fixing knife washer                 | 1          |    |
| 49        | 13119001        | 定刀片            | Fixing knife                        | 1          |    |
| 49        | 11319001        | 定刀片            | Fixing knife                        | 1          | P  |
| 50        | 141909001       | 定刀压板           | Fixing knife pressure plate         | 1          |    |

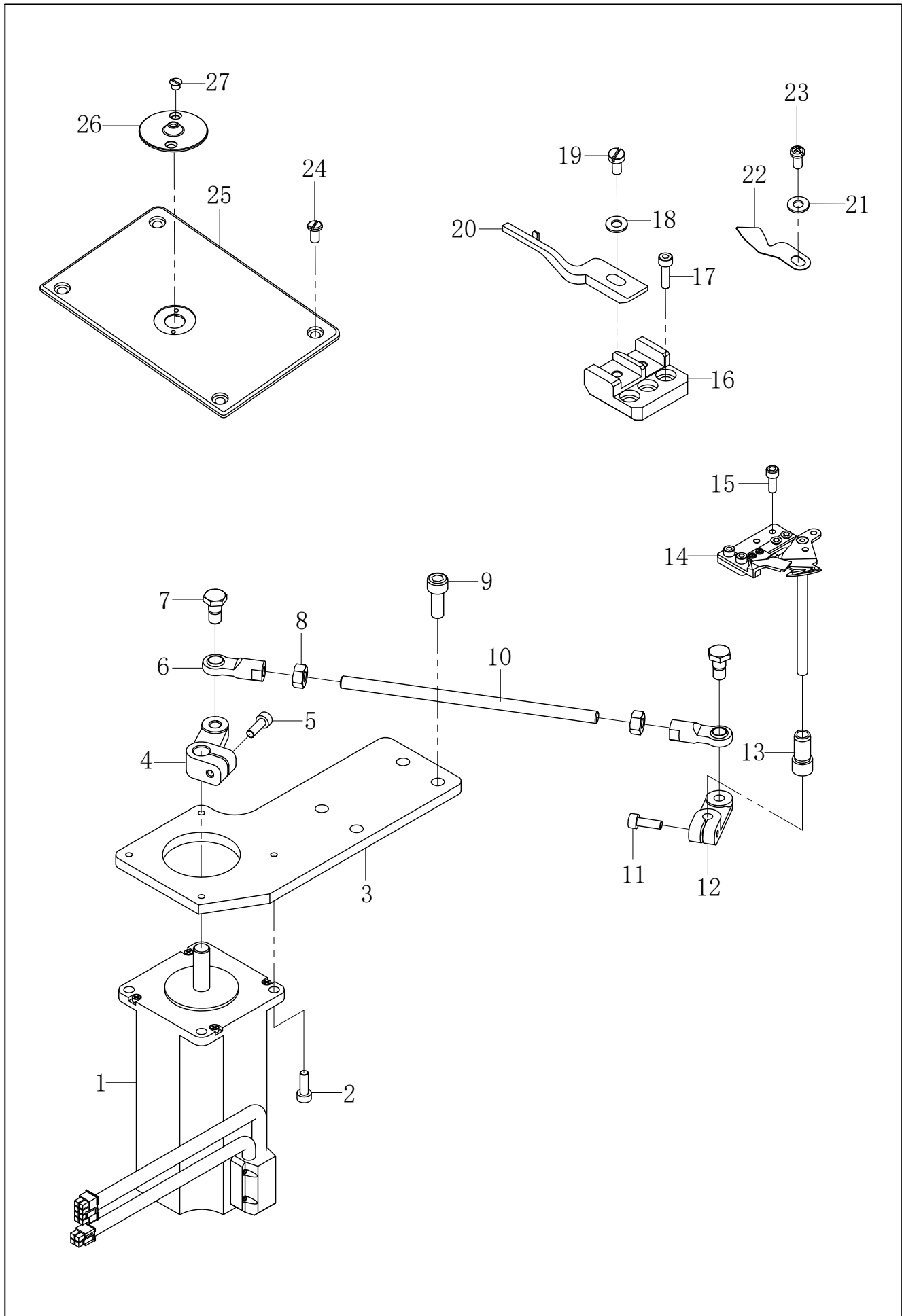
# N1、切线装置 / Thread trimmer mechanism (圆刀)



N1、切线装置 / Thread trimmer mechanism (圆刀)

| 序号<br>No. | 件号<br>Part. No. | 零部件名称        | NAME OF PARTS                            | 数量<br>Amt. | 备注 |
|-----------|-----------------|--------------|--|------------|----|
| 51        | 422S30514       | 紧定螺钉         | Set screw                                | 1          |    |
| 52        | 409S16025       | 六角螺母         | Hex nuts                                 | 1          |    |
| 53        | 101S11011       | 旋梭定位钩螺钉      | Positioning hook nut                     | 1          |    |
| 54        | 13112007        | 护针片          | Needle guard                             | 1          |    |
| 54        | 11312003        | 护针片          | Needle guard                             | 1          | P  |
| 55        | 114S11009       | 挂板螺钉         | Hanging plate screw                      | 1          |    |
| 56        | S05218          | 螺钉M5×22      | Screw M5×22                              | 3          |    |
| 57        | 41728028        | 平垫圈M5        | Flat Washers M5                          | 1          |    |
| 58        | S05069          | 螺钉M5×40      | Screw M5×40                              | 1          |    |
| 59        | 42213023        | 护针片          | Needle guard                             | 1          |    |
| 60        | 141812032       | 剪线刀架座垫片(小旋梭) | Thread trimmer holder gasket(small hook) | 1          | P  |
| 61        | 41728028        | 垫圈5          | Washers 5                                | 1          |    |
| 62        | W01009          | 垫圈           | Washers                                  | 1          |    |

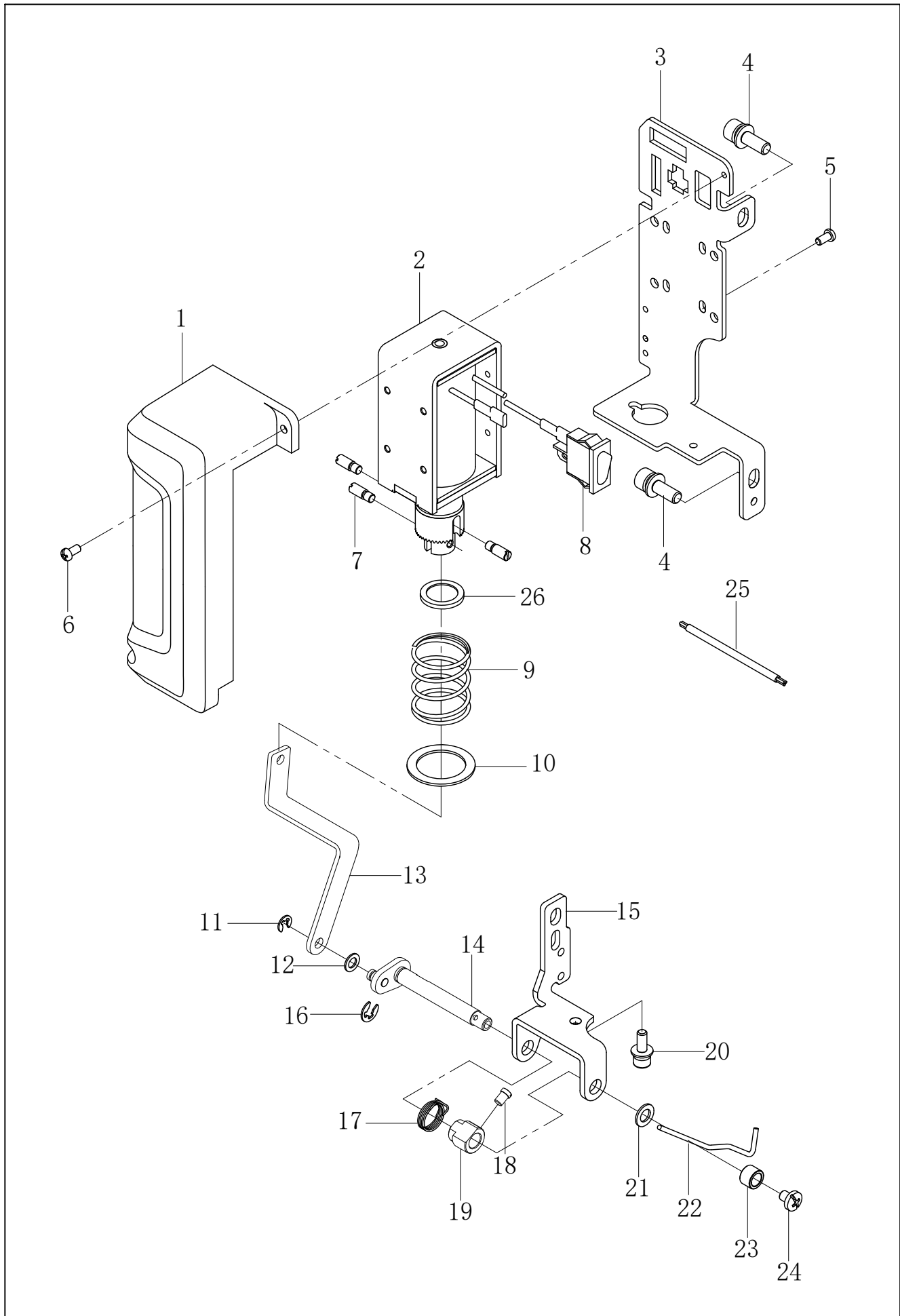
## N2、切线装置 / Thread trimmer mechanism (平刀)



## N2、切线装置 / Thread trimmer mechanism (平刀)

| 序号<br>No. | 件号<br>Part. No. | 零部件名称    | NAME OF PARTS                 | 数量<br>Amt. | 备注 |
|-----------|-----------------|----------|-------------------------------|------------|----|
| 1         | 42230534        | 切线电机     | Tangent motor                 | 1          |    |
| 2         | 413S13011       | 螺钉M4×12  | Screw M4×12                   | 4          |    |
| 3         | 142012170       | 切线电机安装板  | Tangent motor mounting plate  | 1          |    |
| 4         | 41804021        | 切线驱动摆杆   | Tangent drive oscillating bar | 1          |    |
| 5         | S05010          | 螺钉M4×12  | Screw M4×12                   | 1          |    |
| 6         | 4170500300      | 接头组件     | Adapter assembly              | 2          |    |
| 7         | 417S12005       | 段螺钉B     | Screw                         | 2          |    |
| 8         | N01021          | 螺母M6     | Nut M6                        | 2          |    |
| 9         | S05040          | 螺钉M6×16  | Screw M6×16                   | 4          |    |
| 10        | 41802021        | 剪线杆      | Thread cutting pole           | 1          |    |
| 11        | 413S13011       | 螺钉M4×12  | Screw M4×12                   | 1          |    |
| 12        | 41804022        | 切线摆杆     | Tangent oscillating bar       | 1          |    |
| 13        | 41803021        | 长轴套0508  | Long shaft sleeve 0508        | 1          |    |
| 14        | 4181901100      | 切刀组件     | Knife components              | 1          |    |
| 15        | 413S13011       | 螺钉M4×12  | Screw M4×12                   | 2          |    |
| 16        | 142001018       | 定位钩支座    | Positioning hook support      | 1          |    |
| 17        | 413S13017       | 螺钉M4×10  | Screw M4×10                   | 3          |    |
| 18        | 41728028        | 垫圈5      | Washers 5                     | 1          |    |
| 19        | 116S11005       | 牙架曲柄螺钉   | Screw                         | 1          |    |
| 20        | 42212555        | 定位钩      | Positioning hook              | 1          |    |
| 21        | W01009          | 垫圈       | Washers                       | 1          |    |
| 22        | 13112007        | 护针片      | Needle guard                  | 1          |    |
| 23        | 114S11009       | 挂板螺钉     | Hanging plate screw           | 1          |    |
| 24        | 417S15008       | 螺钉M4×8   | Screw M4×8                    | 4          |    |
| 25        | 142015001       | 针板       | Needle plate                  | 1          |    |
| 26        | 42215502        | 针孔板 φ1.8 | Pinhole plate φ1.8            | 1          |    |
| 27        | 417S17001       | 螺钉SM2.38 | Screw SM2.38                  | 2          |    |

P、扫线装置 / Thread wiper mechanism

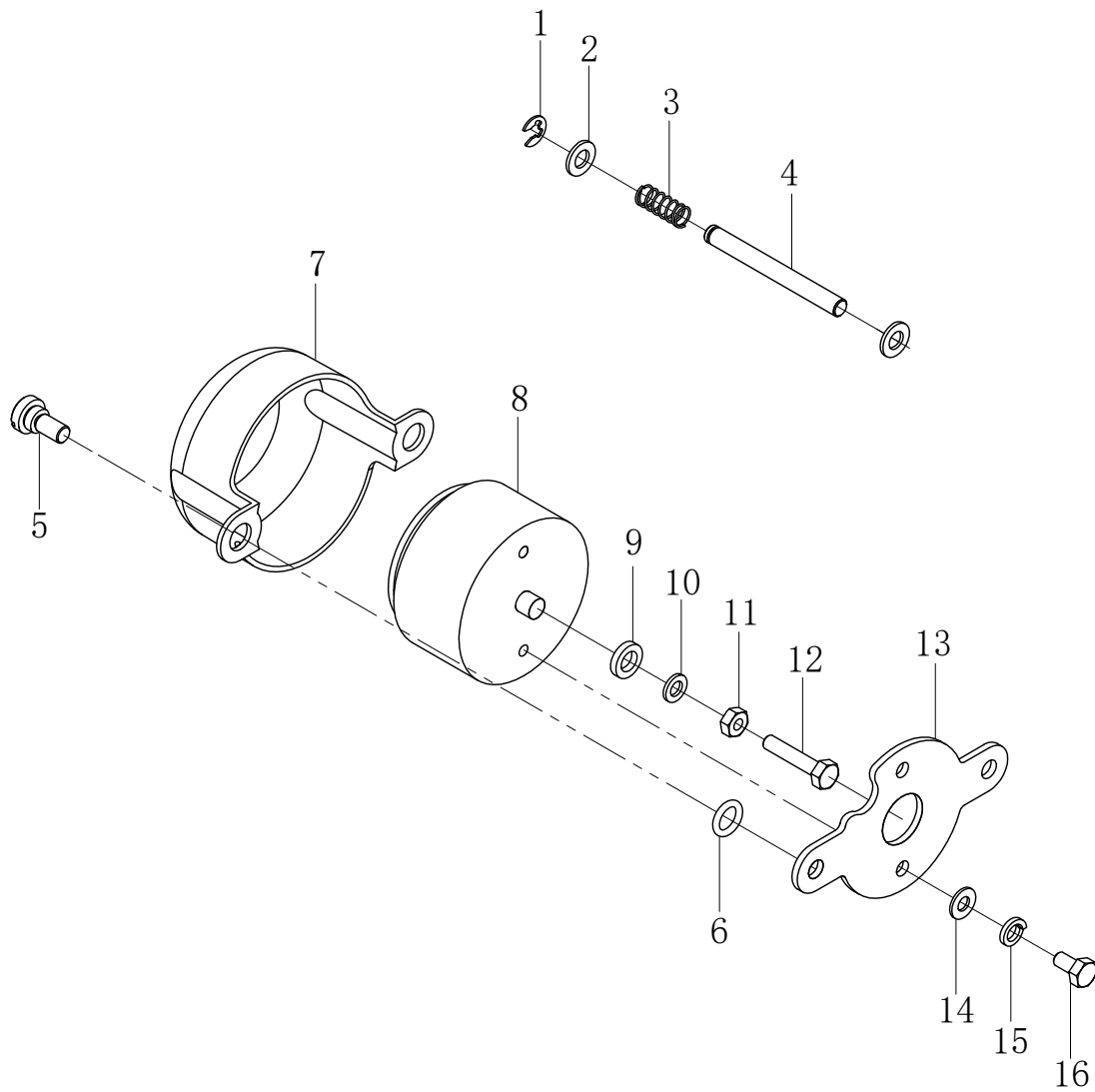


P、扫线装置 / Thread wiper mechanism

| 序号<br>No. | 件号<br>Part. No. | 零部件名称        | NAME OF PARTS                          | 数量<br>Amt. | 备注 |
|-----------|-----------------|--------------|--|------------|----|
| 1         | 141711002       | 电磁铁盖         | Solenoid cover                         | 1          |    |
| 2         | 41730002        | 扫线电磁铁组件      | Thread sweeping solenoid assembly      | 1          |    |
| 3         | 142012049       | 扫线电磁铁安装板     | Thread sweeping solenoid install plate | 1          |    |
| 4         | 417S30306       | 螺钉(带垫圈)M5×15 | Screw(with washer)M5×15                | 2          |    |
| 5         | S04082          | 螺钉M3×6       | Screw M3×6                             | 4          |    |
| 6         | S04082          | 螺钉M3×6       | Screw M3×6                             | 2          |    |
| 7         | 41726007        | 柱塞销          | Plunger pin                            | 1          |    |
| 8         |                 | 扫线开关         | Line sweep                             | 1          |    |
| 9         | 41727011        | 扫线弹簧         | Thread sweeping spring                 | 1          |    |
| 10        | 41728011        | 平垫圈          | Flat washer                            | 1          |    |
| 11        | H05002          | 开口挡圈3        | Split ring 3                           | 1          |    |
| 12        | W01024          | 垫圈4          | Washer 4                               | 1          |    |
| 13        | 141712016       | 扫线杆          | Thread wiper                           | 1          |    |
| 14        | 4170204400      | 扫线曲柄组件       | Thread sweeping crank assembly         | 1          |    |
| 15        | 41712096        | 扫线轴托架        | Spool bracket                          | 1          |    |
| 16        | H05029          | 开口挡圈E4       | Split ring E4                          | 1          |    |
| 17        | 41727012        | 扭簧           | Torsion spring                         | 1          |    |
| 18        | 417S15005       | 螺钉M3.5×5     | Screw M3.5×5                           | 1          |    |
| 19        | 41708007        | 螺纹紧圈         | Thread tight ring                      | 1          |    |
| 20        | 417S30302       | 螺钉M4×12      | Screw M4×12                            | 1          |    |
| 21        | 41728034        | 垫圈           | Washer                                 | 1          |    |
| 22        | 142527003       | 扫线钢丝         | Wire sweeping wire                     | 1          |    |
| 23        | 41708008        | 挡线轴挡圈        | Retaining shaft retaining ring         | 1          |    |
| 24        | 417S15013       | 螺钉M4×5       | Screw M4×5                             | 1          |    |
| 25        | 41730022        | 两芯线          | Two core wire                          | 2.5        |    |
| 26        | 41722012        | 橡胶垫片         | Rubber washer                          | 1          |    |



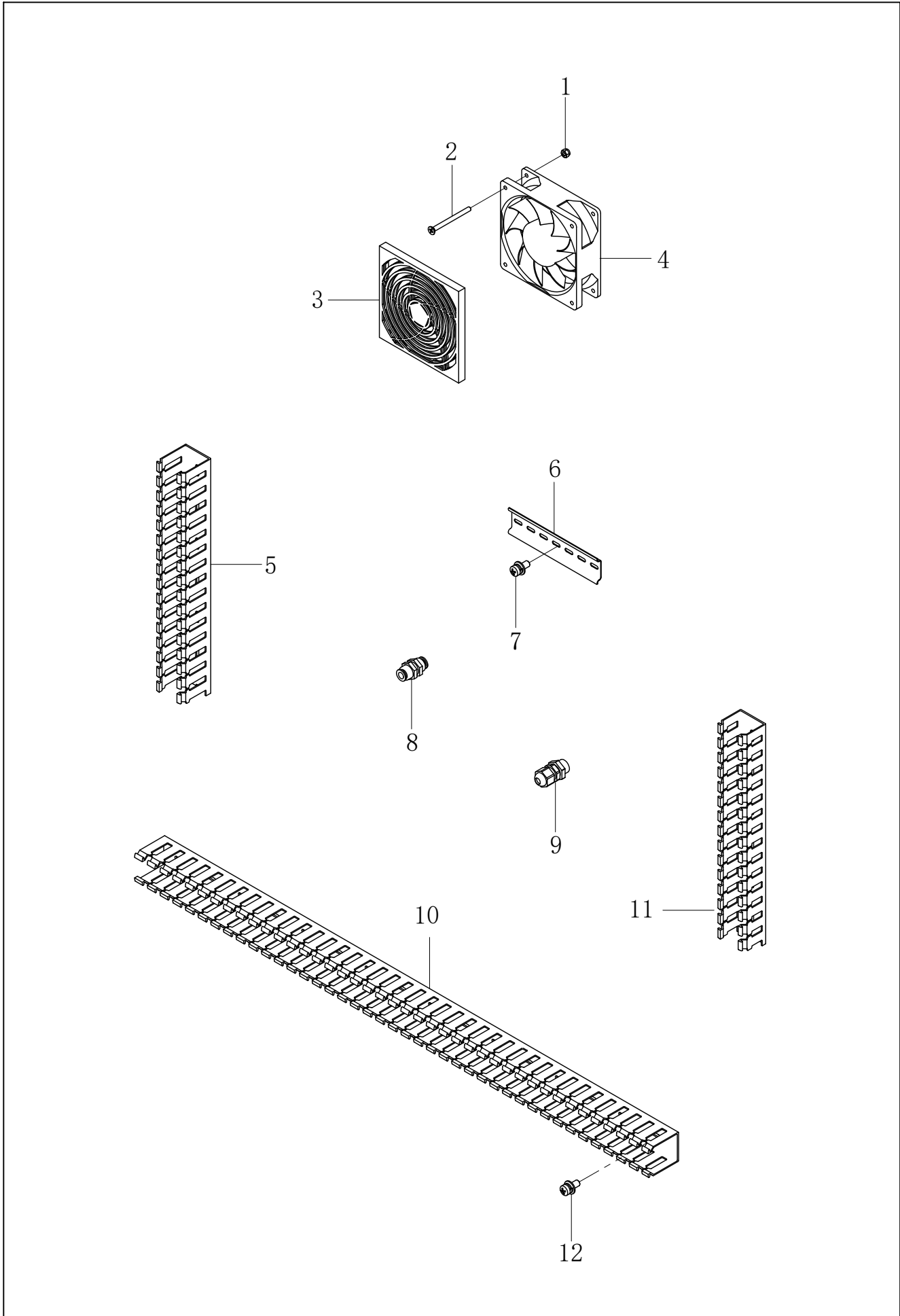
# Q、松线装置 / Tension release mechanism



Q、松线装置 / Tension release mechanism

| 序号<br>No. | 件号<br>Part. No. | 零部件名称   | NAME OF PARTS               | 数量<br>Amt. | 备注 |
|-----------|-----------------|---------|-----------------------------|------------|----|
| 1         | H05029          | 挡圈E4    | Retaining ring E4           | 1          |    |
| 2         | W01009          | 垫圈5     | Washer 5                    | 2          |    |
| 3         | 41727013        | 弹簧      | Spring                      | 1          |    |
| 4         | 41702045        | 松线杆     | Loose pole                  | 1          |    |
| 5         | 417S30012       | 段螺钉7-3  | Segment screw 7-3           | 2          |    |
| 6         | 41722021        | O形圈P7   | O-ring P7                   | 2          |    |
| 7         | 41711211        | 电磁铁盖    | Solenoid cover              | 1          |    |
| 8         | 142047001       | 松线电磁铁HV | Loose wire electromagnet HV | 1          |    |
| 9         | 41722020        | 缓冲垫圈    | Cushion                     | 1          |    |
| 10        | W01001          | 垫圈4     | Washer 4                    | 1          |    |
| 11        | N01024          | 六角螺母M4  | Hex nuts M4                 | 1          |    |
| 12        | L02127          | 螺钉M4×22 | Screw M4×22                 | 1          |    |
| 13        | 41712099        | 电磁铁安装板  | Solenoid install plate      | 1          |    |
| 14        | W01001          | 垫圈4     | Washer 4                    | 2          |    |
| 15        | W02008          | 弹簧垫圈2-4 | Spring washer 2-4           | 2          |    |
| 16        | L02031          | 螺钉M4×8  | Screw M4×8                  | 2          |    |

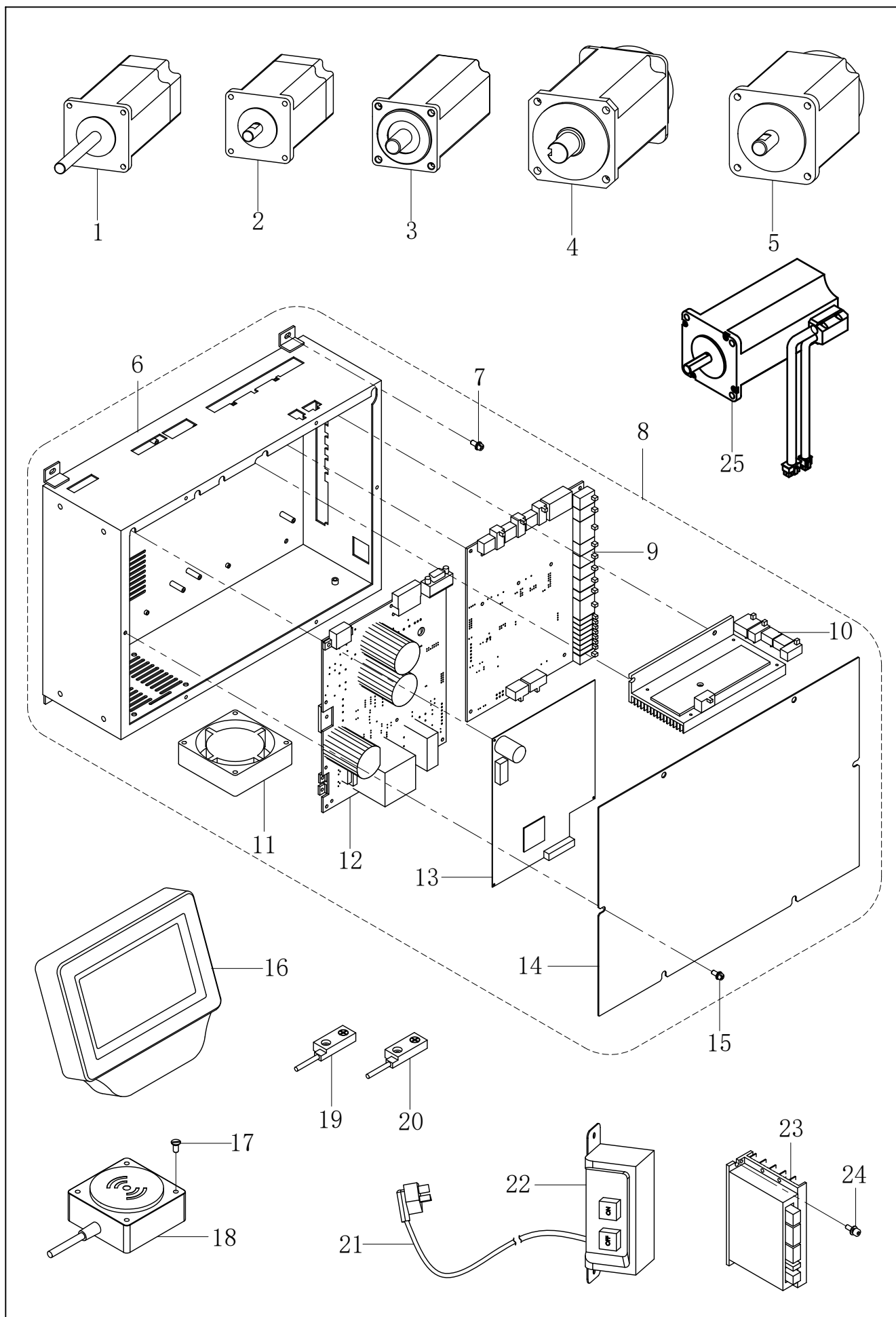
# R1、电控柜装置 / Electric control box mechanism



R1、电控柜装置 / Electric control box mechanism

| 序号<br>No. | 件号<br>Part. No. | 零部件名称          | NAME OF PARTS                 | 数量<br>Amt. | 备注 |
|-----------|-----------------|----------------|-------------------------------|------------|----|
| 1         | 407N01002       | 自锁螺母M4         | Self-locking nuts M4          | 4          |    |
| 2         | S02117          | 螺钉M4×50        | Screw M4×50                   | 4          |    |
| 3         | 41811013        | 风扇网罩           | Fan grille                    | 1          |    |
| 4         | 41830012        | 风扇             | Fan                           | 1          |    |
| 5         | 142011008       | 线槽5040-320     | Trunking 5040-320             | 1          |    |
| 6         | 142012052       | 电气安装板          | Electrical installation board | 1          |    |
| 7         | 417S30025       | 螺钉(带垫圈)M4×10DB | Screw(with washer) M4×10DB    | 2          |    |
| 8         | 41845022        | 出气口            | Outlet for air                | 1          |    |
| 9         | 41811215        | 出线口            | Outlet for thread             | 1          |    |
| 10        | 142011009       | 线槽5040-750     | Trunking 5040-750             | 1          |    |
| 11        | 142011005       | 线槽4040-300     | Trunking 4040-300             | 1          |    |
| 12        | 417S30025       | 螺钉(带垫圈)M4×10DB | Screw(with washer) M4×10DB    | 8          |    |

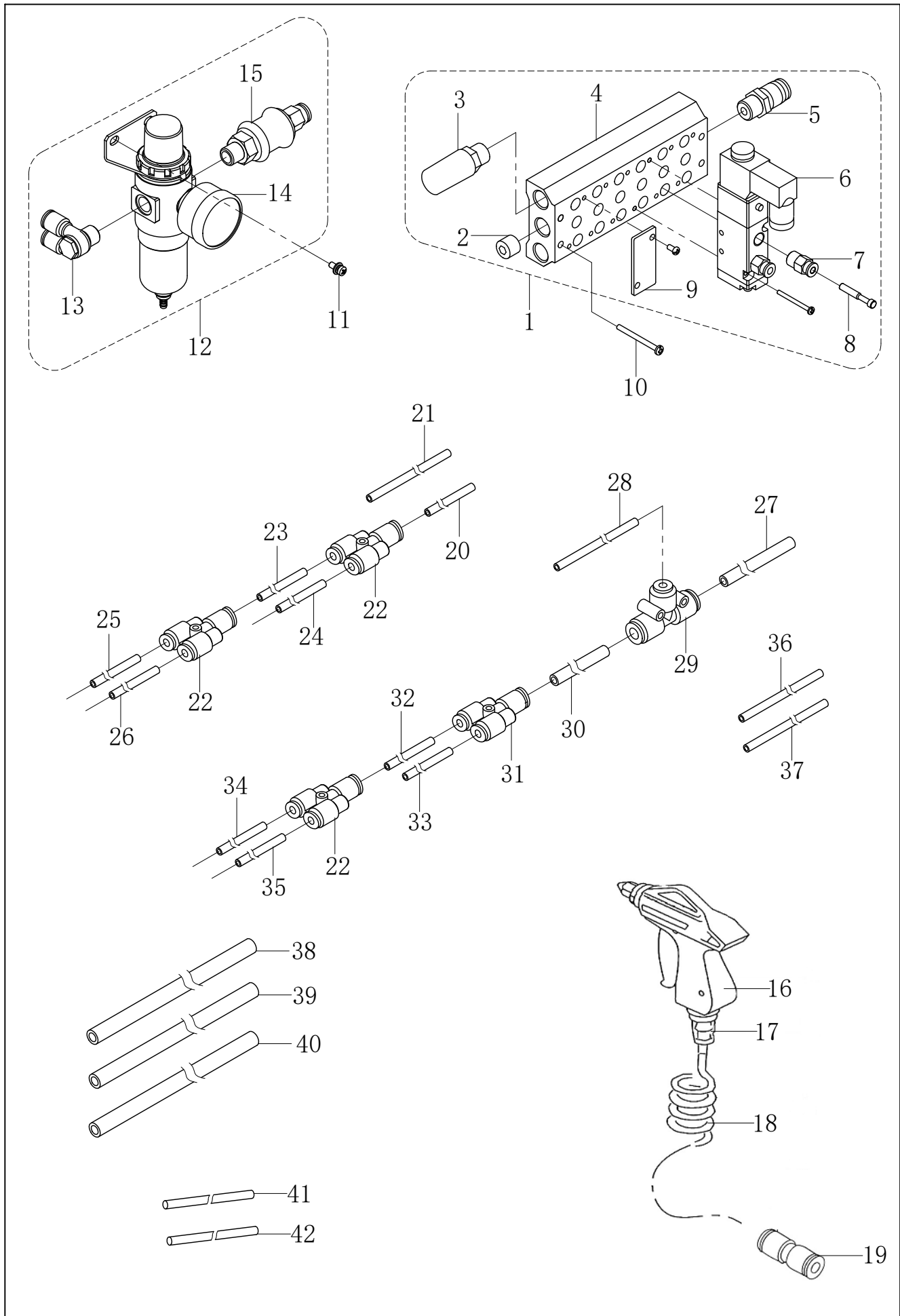
R2、控制箱装置(X) / Control box mechanism (T)



## R2、控制箱装置(X) / Control box mechanism (X)

| 序号<br>No. | 件号<br>Part. No. | 零部件名称          | NAME OF PARTS                        | 数量<br>Amt. | 备注 |
|-----------|-----------------|----------------|--------------------------------------|------------|----|
| 1         | 142033004       | 中压脚电机          | Medium presser foot motor            | 1          |    |
| 2         | 142033003       | 模组电机           | Modular motor                        | 1          | T  |
| 3         | 142033005       | X丝杆伺服电机        | X screw servo motor                  | 1          | S  |
| 4         | 142033006       | Y丝杆电机          | Y screw motor                        | 1          |    |
| 5         | 41833212        | 主轴电机           | Main shaft motor                     | 1          |    |
| 6         | 141812090       | 电控箱箱体V2BP      | Electric control box V2BP            | 1          |    |
| 7         | 417S30302       | 螺钉(带垫圈)M4×12   | Screw(with washer) M4×12             | 4          |    |
| 8         | 142030008       | 星火电控V2BP款      | Xinghuo control box V2BP type        | 1          |    |
| 9         | 141830023       | 主板V2BP         | Main board V2BP                      | 1          |    |
| 10        | 141830020       | 剪线步进驱动器V2BP    | Thread trimming stepper driver V2BP  | 1          |    |
| 11        | 141830022       | 风扇V2BP         | Fan V2BP                             | 1          |    |
| 12        | 141830024       | 电源板V2BP        | Power Board V2BP                     | 1          |    |
| 13        | 141830021       | 单板Y伺服驱动器V2BP   | Single board Y servo driver V2BP     | 1          |    |
| 14        | 141812091       | 电控箱盖板V2BP      | Control box cover V2BP               | 1          |    |
| 15        | 417S30025       | 螺钉(带垫圈)M4×10DB | Screw(with washer) M4×10DB           | 6          |    |
| 16        | 41830641        | 显示屏V2CP        | Panel V2CP                           | 1          |    |
| 17        | S02039          | 开槽沉头螺钉M4×9     | Slotted countersunk head screws M4×9 | 2          |    |
| 18        | 142030004       | 射频识别器          | RFID                                 | 1          |    |
| 19        | 41730851        | X传感器           | X Sensor                             | 1          |    |
| 20        | 41730851        | Y传感器           | Y Sensor                             | 1          |    |
| 21        | 42230512        | 主电源开关线         | Main power switch line               | 1          |    |
| 22        | 41830213        | 押扣开关           | Snap switch                          | 1          |    |
| 23        | 141830005       | 低压驱动器          | Low voltage driver                   | 1          | S  |
| 24        | 417S30302       | 螺钉(带垫圈)M4×12   | Screw(with washer) M4×12             | 2          | S  |

# S、空压装置 / Air pressure mechanism



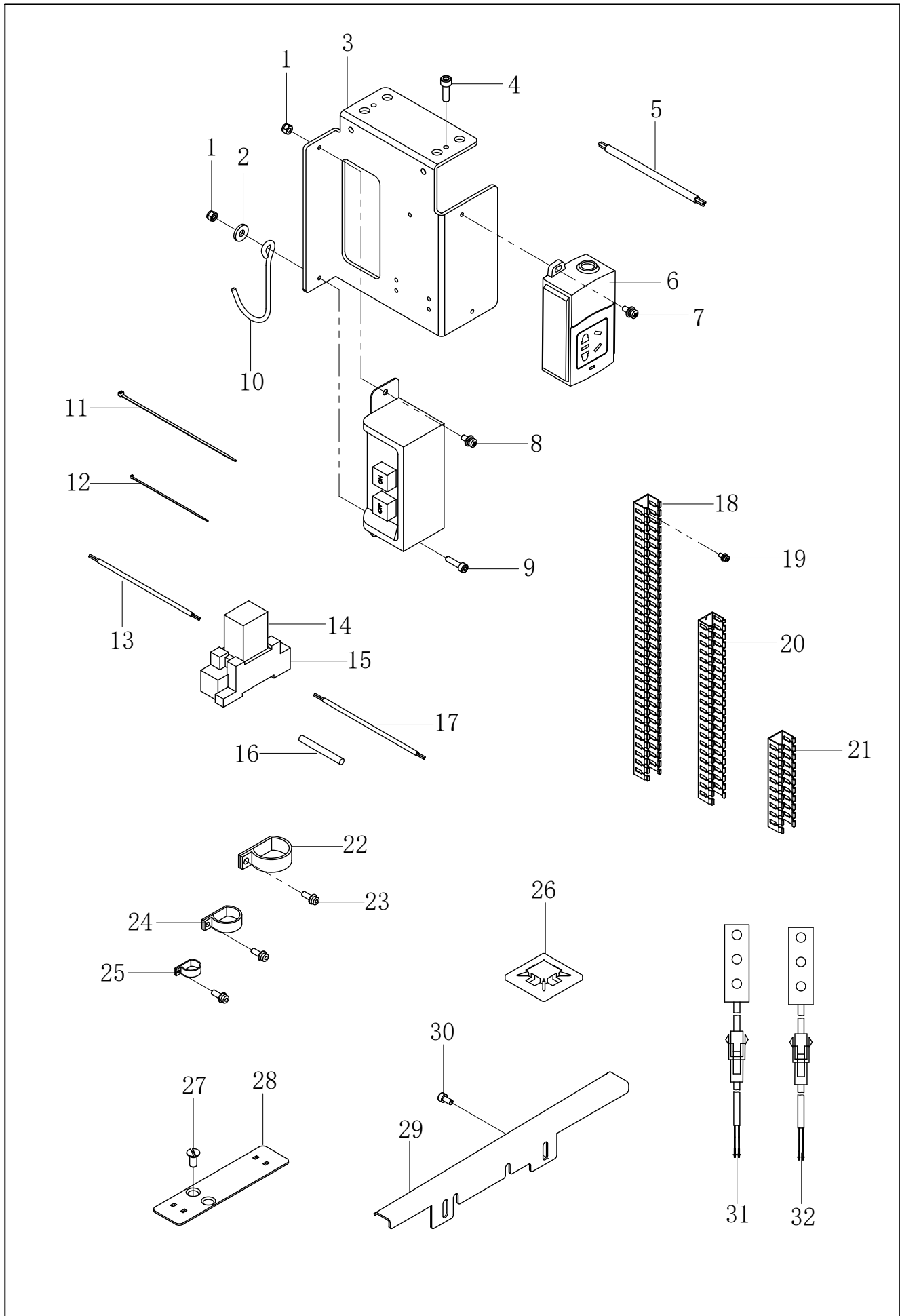
## S、空压装置 / Air pressure mechanism

| 序号<br>No. | 件号<br>Part. No. | 零部件名称          | NAME OF PARTS                        | 数量<br>Amt. | 备注   |
|-----------|-----------------|----------------|--------------------------------------|------------|------|
| 1         | 14204501000     | 六位三通电磁阀        |                                      | 1          |      |
| 1         | 14204501400     | 六位五通电磁阀        |                                      | 1          | F11  |
| 2         | 41845219        | 内六角堵头ABP02     | Inner Hexagon plug ABP02             | 3          |      |
| 3         | 41845214        | 消音器PAL02       | Silencer PAL02                       | 2          |      |
| 4         | 41845021        | 双通汇流板100M6F    | Double-pass manifold 100M6F          | 1          |      |
| 5         | 40736021        | 接头PL802        | Connector PL802                      | 1          |      |
| 6         | 41845212        | 电磁阀4V110-06-B  | The electromagnetic valve 4V110-06-B | 3          |      |
| 7         | 41845222        | 螺纹直通APC4-01    | Tube joints APC4-01                  | 6          |      |
| 7         | 40736018        | 螺纹直通APC6-02    | Trachea joint APG6                   | 1          |      |
| 8         | 42122001        | 快换插头KQ2P-04    | Quick change plug KQ2P-04            | 1          |      |
| 9         | 41845213        | 盲盖100M         | Blind cover 100M                     | 3          |      |
| 10        | 421S11013       | 螺钉M4×35        | Screw M4×35                          | 4          |      |
| 11        | 417S30025       | 螺钉(带垫圈)M4×10DB | Screw(with washer) M4x10DB           | 2          |      |
| 12        | 14204501200     | 气源处理原件         | Air source treatment element         | 1          |      |
| 13        | 42236512        | 气管接头APC8-02    | Trachea joint APC8-02                | 1          |      |
| 14        | 141845004       | 显示表            | Display table                        | 1          |      |
| 15        | 42130096        | 手动开关VHK3       | Manual switch VHK3                   | 1          |      |
| 16        | 41845220        | 气枪AG-B         | Air gun AG-B                         | 1          |      |
| 17        | 40736018        | 螺纹直通APC6-02    | Tube joints APC6-02                  | 1          |      |
| 18        | 42211540        | 螺旋气管6×4        | Spiral trachea 6×4                   | 1          |      |
| 19        | 40736022        | 气管接头APG6       | Trachea joint APG6                   | 1          |      |
| 20        | 41845223        | 气管φ4×2.5透明蓝    | Trachea φ4×2.5 (Transparent blue)    | 0.2        |      |
| 21        | 41845224        | 气管φ4×2.5黑色     | Trachea φ4×2.5 (black)               | 3.2        | 压框   |
| 22        | 40736036        | 气管接头APY4(Y型三通) | Trachea joint APY4 (Y type tee)      | 5          |      |
| 23        | 41845223        | 气管φ4×2.5透明蓝    | Trachea φ4×2.5 (Transparent blue)    | 0.1        |      |
| 24        | 41845223        | 气管φ4×2.5透明蓝    | Trachea φ4×2.5 (Transparent blue)    | 3          | 压框   |
| 25        | 41845223        | 气管φ4×2.5透明蓝    | Trachea φ4×2.5 (Transparent blue)    | 3.5        | 顶柱气缸 |
| 26        | 41845223        | 气管φ4×2.5透明蓝    | Trachea φ4×2.5 (Transparent blue)    | 2.9        | 顶柱气缸 |
| 27        | 142045009       | 气管φ6           | Trachea φ6                           | 0.4        |      |
| 28        | 41845224        | 气管φ4×2.5黑色     | Trachea φ4×2.5 (black)               | 2.5        | 上吹气  |
| 29        | 142045007       | 气管接头三通         | Trachea joint                        | 1          |      |
| 30        | 142045009       | 气管φ6           | Trachea φ6                           | 2.6        |      |
| 31        | 140736004       | 气管接头KQ2004-06A | Trachea joint                        | 1          |      |
| 32        | 41845224        | 气管φ4×2.5黑色     | Trachea φ4×2.5 (black)               | 2          |      |
| 33        | 41845224        | 气管φ4×2.5黑色     | Trachea φ4×2.5 (black)               | 2          | 底线吹气 |
| 34        | 41845224        | 气管φ4×2.5黑色     | Trachea φ4×2.5 (black)               | 0.3        | 下吹气1 |
| 35        | 41845224        | 气管φ4×2.5黑色     | Trachea φ4×2.5 (black)               | 0.3        | 下吹气2 |
| 36        | 41845223        | 气管φ4×2.5透明蓝    | Trachea φ4×2.5 (Transparent blue)    | 3          | 大压脚  |
| 37        | 41845223        | 气管φ4×2.5黑色     | Trachea φ4×2.5 (black)               | 3          | 大压脚  |
| 38        | 42221503        | 气管φ8           | Trachea φ8                           | 0.2        |      |
| 39        | 42221503        | 气管φ8           | Trachea φ8                           | 3.2        |      |
| 40        | 42221503        | 气管φ8           | Trachea φ8                           | 4.2        |      |
| 41        | 142144001       | 色带             | Ribbon                               | 2.4        |      |
| 42        | 142122003       | 号码管4           | Number sleeve 4                      | 2.4        |      |

2022年7月改



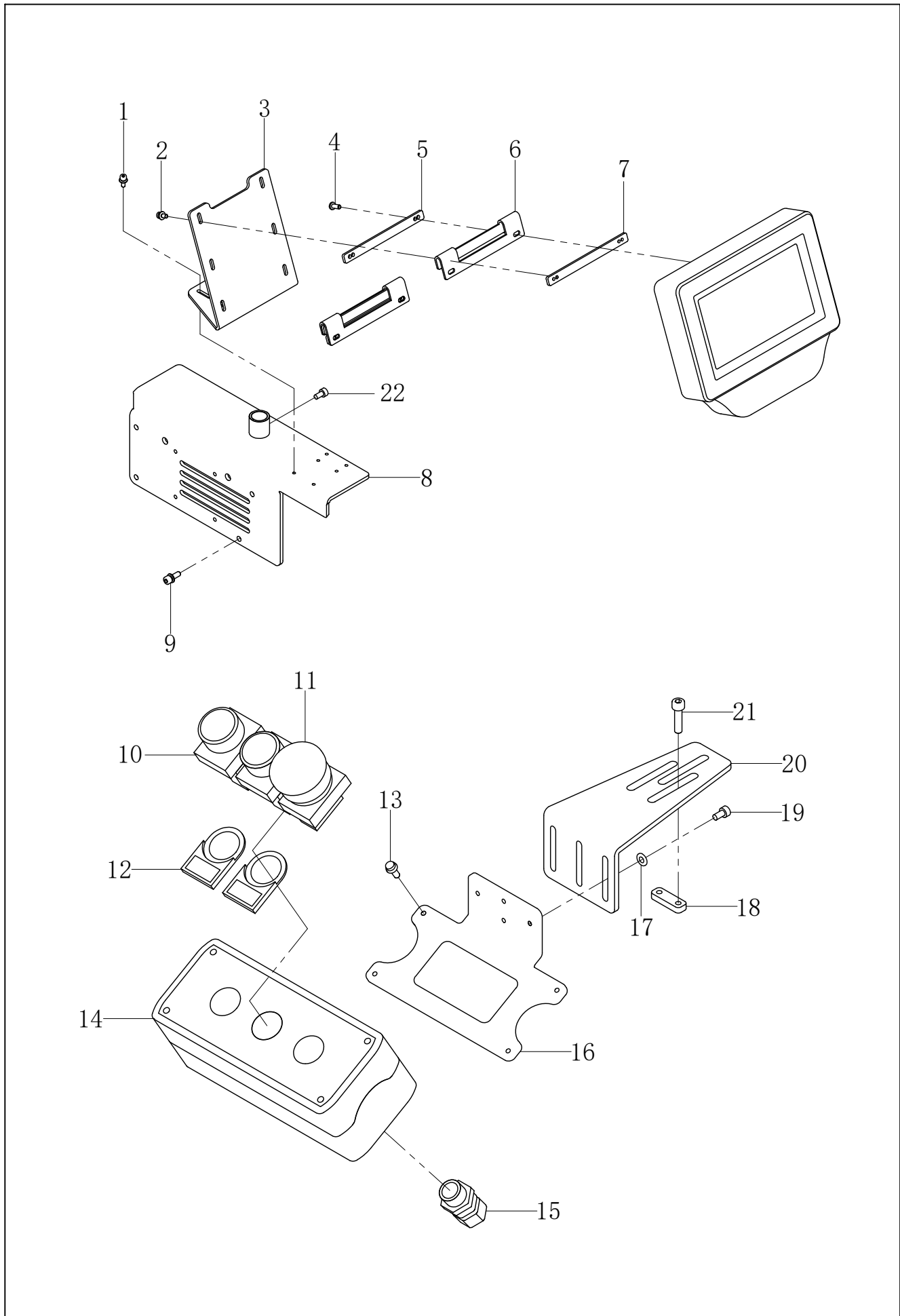
# T、电器部品装置 / Power supply equipment mechanism



T、电器部品装置 / Power supply equipment mechanism

| 序号<br>No. | 件号<br>Part. No. | 零部件名称           | NAME OF PARTS                          | 数量<br>Amt. | 备注        |
|-----------|-----------------|-----------------|--|------------|-----------|
| 1         | 407N01002       | 自锁螺母M4          | Self-locking nuts M4                   | 2          |           |
| 2         | 41828611        | 平垫圈M5           | flat washer M5                         | 2          |           |
| 3         | 41812060        | 电源开关支架          | Power switch bracket                   | 1          |           |
| 4         | S05124          | 螺钉M5×16         | Screw M5×16                            | 2          |           |
| 5         | 99200037        | 控制器电源线          | Controller power cord                  | 0.4        |           |
| 6         | 41830021        | 插线板A01          | Plug board A01                         | 1          |           |
| 7         | 417S30025       | 螺钉(带垫圈)M4×10DB  | Screw(with washer) M4×10DB             | 2          |           |
| 8         | 417S30025       | 螺钉(带垫圈)M4×10DB  | Screw(with washer) M4×10DB             | 1          |           |
| 9         | S05118          | 螺钉M4×16         | Screw M4×16                            | 1          |           |
| 10        | 42212620        | 挂钩              | Hook up                                | 1          |           |
| 11        | 61910001        | 大扎带             | Big cable tie                          | 10         |           |
| 12        | 61910003        | 小扎带             | Small cable tie                        | 30         |           |
| 13        | 41730022        | 电磁阀接线           | Solenoid valve wiring                  | 1          |           |
| 14        | 41830302        | 中间继电器           | Intermediate relay                     | 1          |           |
| 15        | 41830303        | 中间继电器座          | Intermediate relay bracket             | 1          |           |
| 16        | 41831617        | 黄腊管             | Yellow wax tube                        | 0.2        |           |
| 17        | 41830631        | 两芯电线            | Two-core wire                          | 5          |           |
| 18        | 142011007       | 线槽4040-1300     | Trunking 4040-1300                     | 2          |           |
| 19        | 417S30025       | 螺钉(带垫圈)M4×10DB  | Screw(with washer) M4×10DB             | 12         |           |
| 20        | 142011006       | 线槽4040-750      | Trunking 4040-750                      | 1          |           |
| 21        | 142011005       | 线槽4040-300      | Trunking 4040-300                      | 1          |           |
| 22        | 41711026        | 电线夹23           | Wire clip 23                           | 2          |           |
| 23        | 417S30025       | 螺钉(带垫圈)M4×10DB  | Screw(with washer) M4×10DB             | 8          |           |
| 24        | 41711015        | 电线夹13.2         | Wire clip 13.2                         | 5          |           |
| 25        | 41711014        | 电线夹6.4          | Wire clip 6.4                          | 1          |           |
| 26        | 61910026        | 粘式配线固定座HC-101WP | Sticky wiring fixing seat HC-101WP     | 1          |           |
| 27        | S02039          | 开槽沉头螺钉M4×9      | Slotted countersunk head screws M4×9   | 2          |           |
| 28        | 142012059       | 气管托板            | Trachea support plate                  | 1          |           |
| 29        | 930000308       | 走线盖板            | Cable cover                            | 1          | 142012058 |
| 30        | S05116          | 螺钉M4×8          | Screw M4×8                             | 2          |           |
| 31        | 142030001       | LED灯            | LED light                              | 1          |           |
| 32        | 142030001       | LED灯            | LED light                              | 1          |           |
| 41        | 41837611        | 电磁泵警告标贴         | Waming label electromagnetic pump      | 1          |           |
| 42        | 41837612        | 高压危险标贴          | High voltage electrical hazad labeling | 2          |           |
| 43        | 41837613        | 重心标贴            | Centroid label                         | 2          |           |
| 44        | 41837614        | 机械防撞标贴          | Mechanical anti-collision labeling     | 2          |           |
| 45        | 41837615        | 电源线警告标贴         | Power cord labeling                    | 1          |           |
| 46        | 20131063        | 警告标志            | Waming label                           | 1          |           |
| 47        | 142037002       | 油量标贴            | Oil label                              | 1          |           |
| 48        | 142037004       | 台面折叠注意标贴        | Folding the table top label            | 2          |           |
| 49        | 41837101        | 油量调节标贴          | Fuel adjustment label                  | 1          |           |

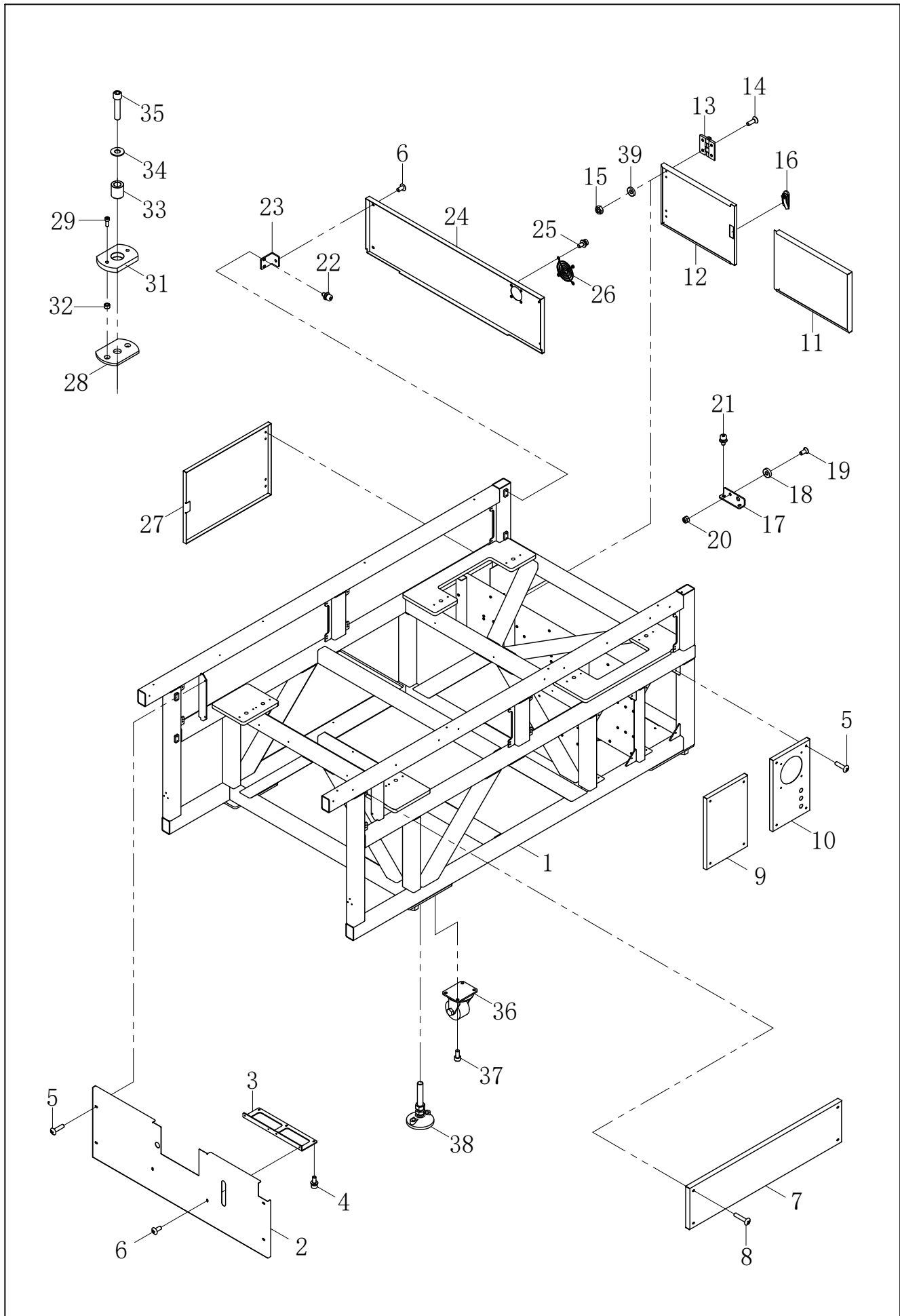
# U、操作界面装置 / Operation interface mechanism



## U、操作界面装置 / Operation interface mechanism

| 序号<br>No. | 件号<br>Part. No. | 零部件名称        | NAME OF PARTS                 | 数量<br>Amt. | 备注          |
|-----------|-----------------|--------------|-------------------------------|------------|-------------|
| 1         | 421S13012       | 螺钉(带垫圈)M4×10 | Screw(with washer)M4×10       | 4          |             |
| 2         | 421S13012       | 螺钉(带垫圈)M4×10 | Screw(with washer)M4×10       | 4          |             |
| 3         | 930000309       | 操作屏V2支架      | Operation screen V2 bracket   | 1          | 142012048   |
| 4         | 417S15008       | 螺钉M4×8       | Screw M4×8                    | 4          |             |
| 5         | 142012050       | 压板2M         | Pressure plate 2M             | 2          |             |
| 6         | 142022003       | 减振垫          | Damping pad                   | 2          |             |
| 7         | 142012051       | 压板2孔         | Pressure plate 2 holes        | 2          |             |
| 8         | 930000310       | 操作屏支架座组件     | operation screen bracket seat | 1          | 14201204700 |
| 9         | 417S30306       | 螺钉(带垫圈)M5×15 | Screw(with washer)M5×15       | 4          |             |
| 10        | 41830214        | 按钮开关         | Power switch button           | 2          |             |
| 11        | 41830215        | 急停开关         | Emergency stop switch         | 1          |             |
| 12        | 41811216        | 开关标牌框组件      | Switch signage frame assembly | 2          |             |
| 13        | 417S30302       | 螺钉(带垫圈)M4×12 | Screw(with washer)M4×12       | 4          |             |
| 14        | 41811214        | 按钮开关盒        | Button switch box             | 1          |             |
| 15        | 41811215        | 出线口          | Outlet for thread             | 1          |             |
| 16        | 41812061        | 开关盒安装板A      | Switch box mounting plate A   | 1          |             |
| 17        | W01001          | 垫圈4          | Washer 4                      | 3          |             |
| 18        | 142012031       | 螺纹板M5        | Threaded plate M5             | 1          |             |
| 19        | S05116          | 螺钉M4×8       | Screw M4×8                    | 3          |             |
| 20        | 41812062        | 开关盒安装板B      | Switch box mounting plate B   | 1          |             |
| 21        | S05026          | 螺钉M5×20      | Screw M5×20                   | 2          |             |
| 22        | 41711208        | 螺帽           | Nut                           | 2          |             |

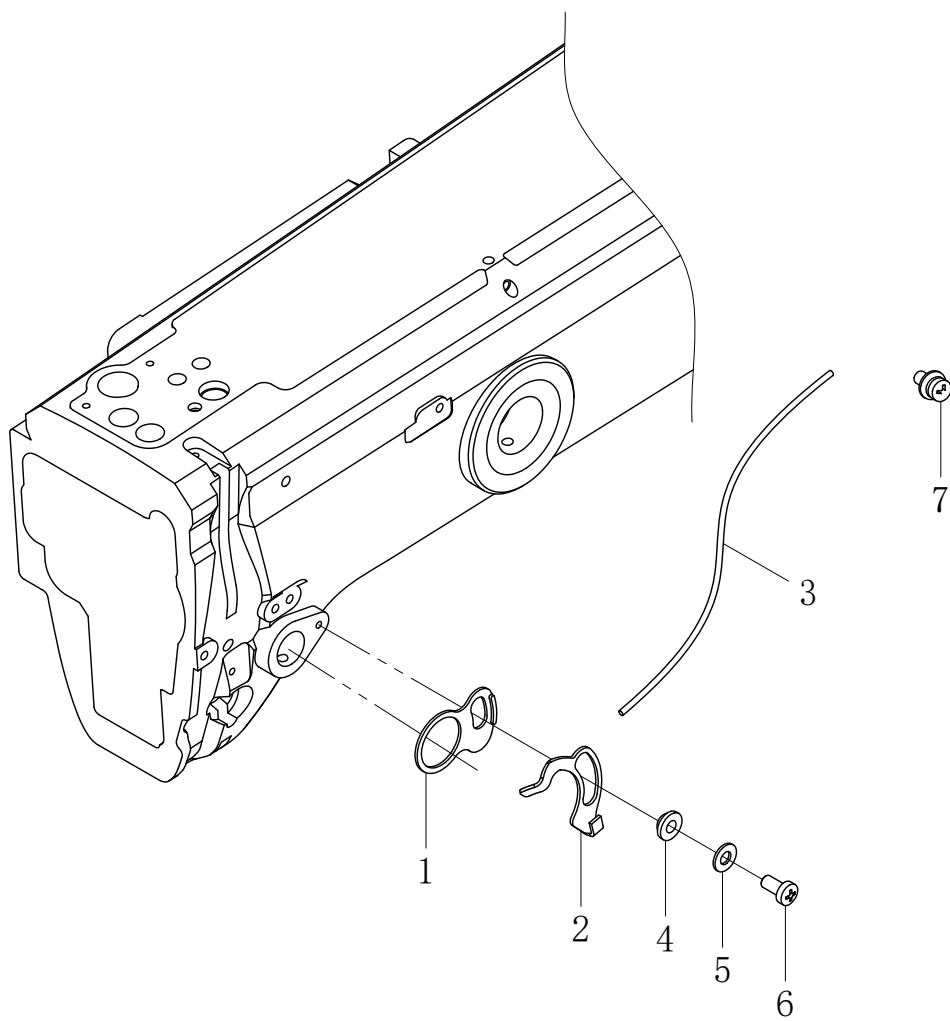
# V、机架部分 / Table mechanism



## V、机架部分 / Table mechanism

| 序号<br>No. | 件号<br>Part. No. | 零部件名称          | NAME OF PARTS                                     | 数量<br>Amt. | 备注          |
|-----------|-----------------|----------------|---|------------|-------------|
| 1         | 930000311       | 机架组件           | Rack components                                   | 1          | 14204200100 |
| 2         | 930000482       | 机架前盖板          | Rack front cover                                  | 1          | 142012093   |
| 3         | 930000314       | 前盖安装板A         | Front cover mounting plate A                      | 1          | 142012042   |
| 4         | 417S30302       | 螺钉(带垫圈)M4×12   | Screw(with washer) M4×12                          | 3          |             |
| 5         | 1420NS10003     | 十字大扁头螺钉M5×25   | Phillips flat head screws M5×25                   | 12         |             |
| 6         | 1420NS10001     | 十字大扁头螺钉M5×10   | Phillips flat head screws M5×10                   | 6          |             |
| 7         | 930000316       | 机架侧盖           | Rack side cover                                   | 4          | 142012037   |
| 8         | 1420NS10003     | 十字大扁头螺钉M5×25   | Phillips flat head screws M5×25                   | 16         |             |
| 9         | 930000321       | 电控柜左前侧盖        | Front left side cover of electric control cabinet | 1          | 142012039   |
| 10        | 930000320       | 电控柜左后侧盖        | Electric control cabinet left rear side cover     | 1          | 142012040   |
| 11        | 930000318       | 电控柜右门          | Right door of electric control cabinet            | 1          | 142012034   |
| 12        | 930000317       | 电控柜左门          | left door of electric control cabinet             | 1          | 142012033   |
| 13        | 41831016        | 电控柜合页          | Electric control cabinet hinge                    | 6          |             |
| 14        | 417S17852       | 螺钉M5×15        | Screw M5×15                                       | 24         |             |
| 15        | 407N01001       | 自锁螺母M5         | Self-locking nut M5                               | 12         |             |
| 16        | 41831014        | 电控柜锁           | Electric control cabinet lock                     | 1          |             |
| 17        | 142012041       | 电控门限位板         | Electric control door limit board                 | 3          |             |
| 18        | 142047002       | 圆磁铁15          | Round magnet 15                                   | 3          |             |
| 19        | 407S17001       | 螺钉M4×10        | Screw M4×10                                       | 3          |             |
| 20        | 407N01002       | 自锁螺母M4         | Self-locking nut M4                               | 3          |             |
| 21        | 421S13012       | 螺钉(带垫圈)M4×10   | Screw(with washer) M4×10                          | 6          |             |
| 22        | 421S13012       | 螺钉(带垫圈)M4×10   | Screw(with washer) M4×10                          | 8          |             |
| 23        | 41812131        | 机架后盖固定板B       | Rack rear cover fixing plate B                    | 4          |             |
| 24        | 304219          | 机架后盖组件         | Rack rear cover assembly                          | 1          | 4181206800  |
| 25        | 417S30025       | 螺钉(带垫圈)M4×10DB | Screw(with washer) M4×10DB                        | 4          |             |
| 26        | 41831013        | 风扇网罩           | Fan grille  | 1          |             |
| 27        | 930000319       | 电控柜右侧门         | Right door of electric control cabinet            | 1          | 142012038   |
| 28        | 142012077       | 基座垫片           | Base gasket                                       | 4          |             |
| 29        | S05124          | 螺钉M5×16        | Screw M5×16                                       | 8          |             |
| 31        | 41822014        | 减振橡胶垫          | Damping rubber pad                                | 4          |             |
| 32        | 41803019        | 管套             | Socket  | 8          |             |
| 33        | 142003018       | 定位套            | Positioning sleeve                                | 4          |             |
| 34        | 41828013        | 大垫圈            | big washer  | 4          |             |
| 35        | S05138          | 螺钉M16×75       | Screw M16×75                                      | 4          |             |
| 36        | 42232502        | 脚轮             | Caster  | 4          |             |
| 37        | 701S13002       | 螺钉M8×12        | Screw M8×12                                       | 16         |             |
| 38        | 141831042       | 脚垫M20          | Caster  | 4          |             |
| 39        | 41728028        | 平垫圈            | Washer  | 12         |             |

# W1、断线感应装置 / Thread breakage detector mechanism

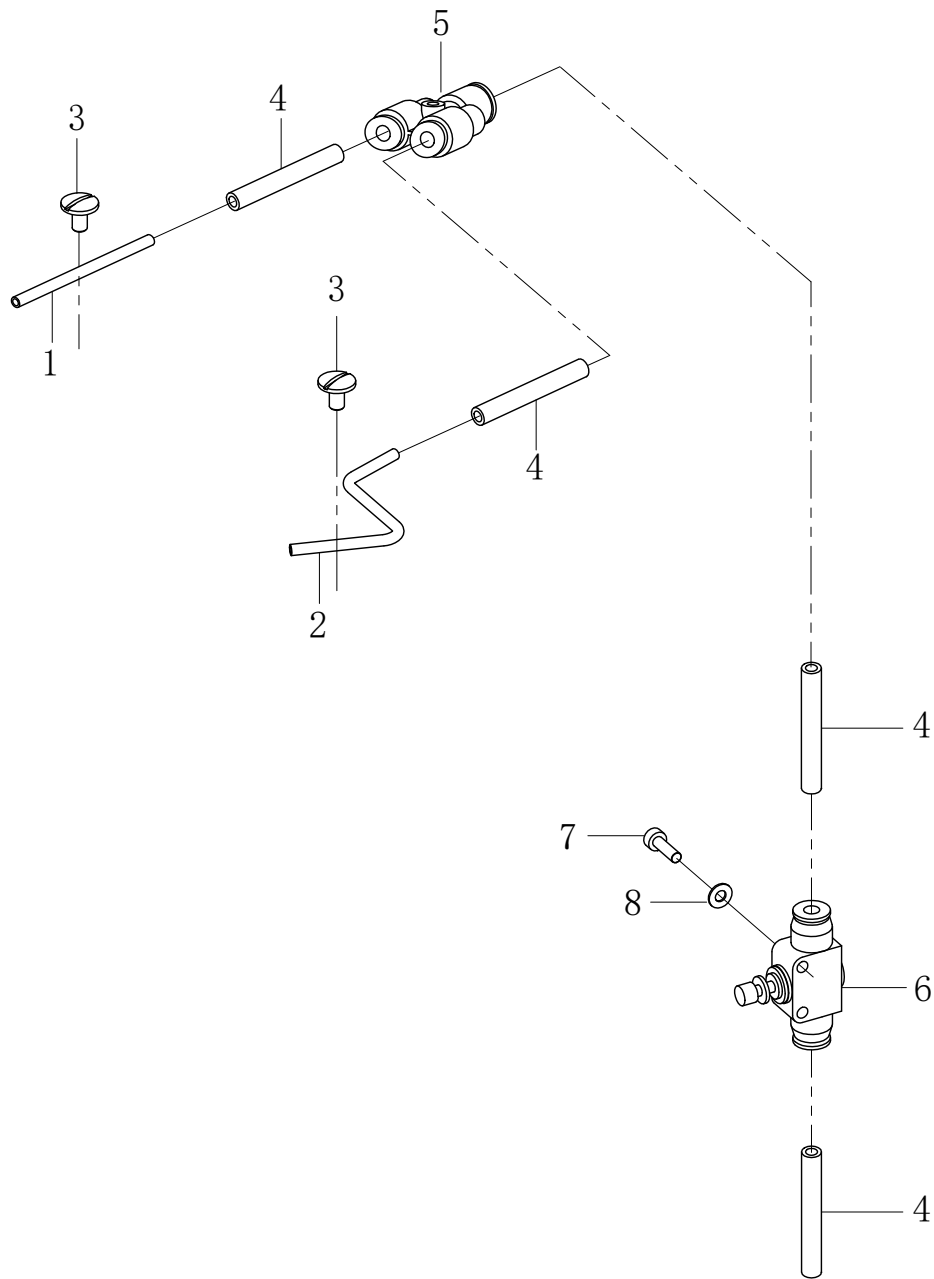


W1、断线感应装置 / Thread breakage detector mechanism

| 序号<br>No. | 件号<br>Part. No. | 零部件名称          | NAME OF PARTS                 | 数量<br>Amt. | 备注 |
|-----------|-----------------|----------------|-------------------------------|------------|----|
| 1         | 41711054        | 传感器内绝缘片        | Insulation sheet in sensor    | 1          |    |
| 2         | 42212837        | 感应铜片           | Induction copper              | 1          |    |
| 3         | 141830008       | 单芯线            | Single core                   | 2          |    |
| 4         | 41711053        | 传感器外绝缘片        | Sensor outer insulation sheet | 1          |    |
| 5         | W01001          | M4垫片           | M4 gasket                     | 1          |    |
| 6         | S04078          | 螺钉M4×8         | Screw M4×8                    | 1          |    |
| 7         | 417S30025       | 螺钉(带垫圈)M4×10DB | Screw (with washer) M4×10DB   | 1          |    |



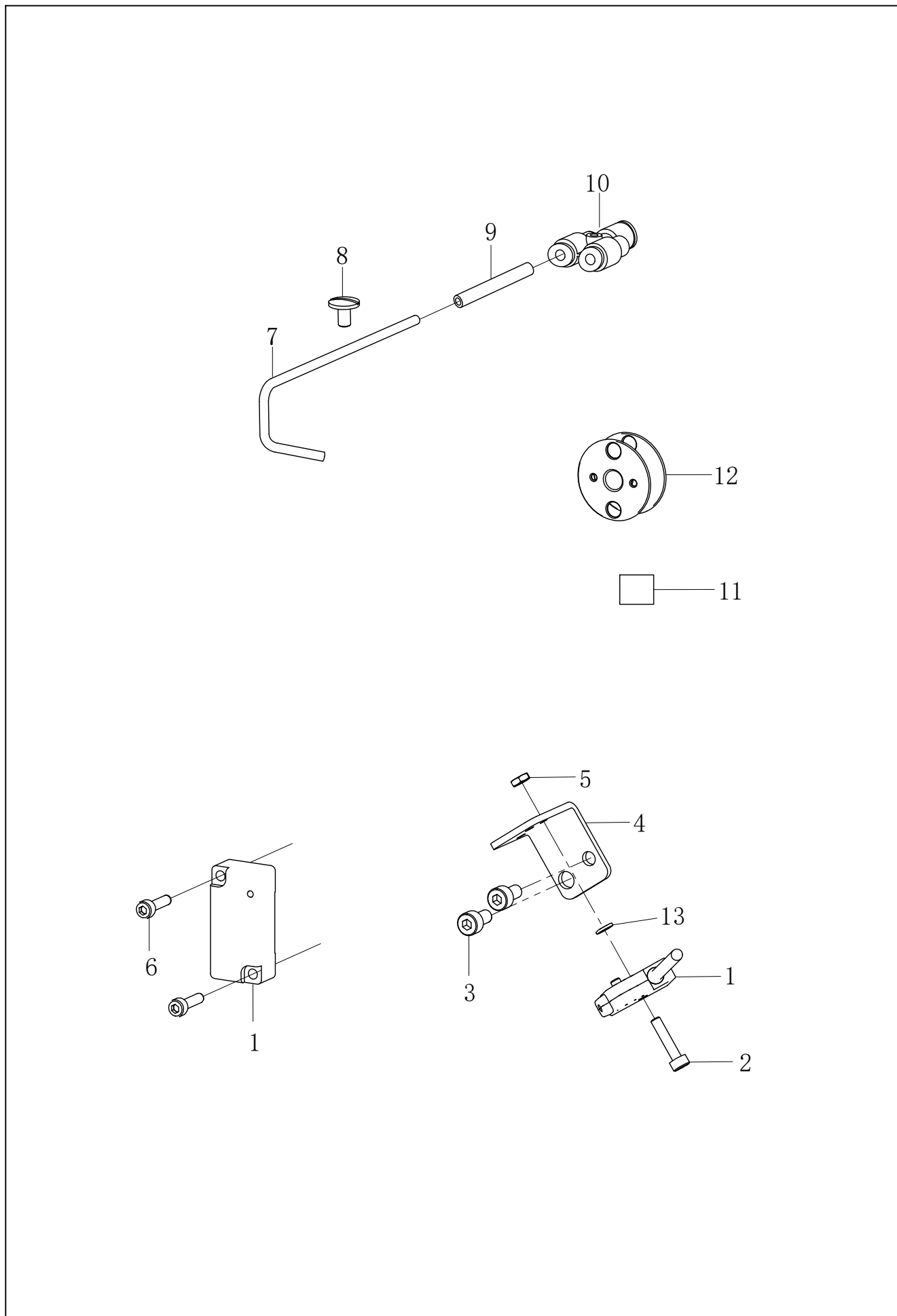
# W2、吹气装置 / Air-blowing device



W2、吹气装置 / Air-blowing device

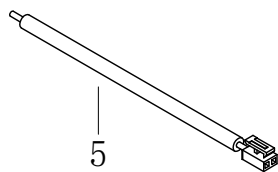
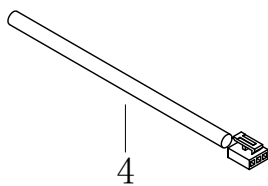
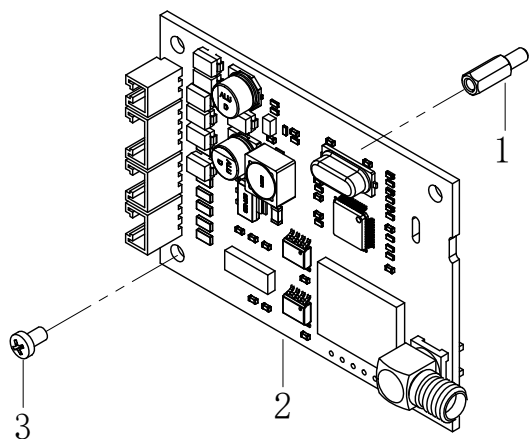
| 序号<br>No. | 件号<br>Part. No. | 零部件名称          | NAME OF PARTS                        | 数量<br>Amt. | 备注 |
|-----------|-----------------|----------------|--------------------------------------|------------|----|
| 1         | 41821621        | 吹气铜管左          | Blowing copper pipe left             | 1          |    |
| 2         | 41821622        | 吹气铜管右          | Blowing copper pipe right            | 1          |    |
| 3         | 418S30218       | 一字球面圆柱头螺钉M4×7  | Slotted cylindrical head screws M4×7 | 2          |    |
| 4         | 41845224        | 气管Φ4×2.5黑色     | Trachea Φ4×2.5 black                 | 1          |    |
| 5         | 40736036        | 气管接头APY4(Y型三通) | Trachea joint APY4 (Y type tee)      | 1          |    |
| 6         | 41845232        | T形接管KJT04      | T take over KJT04                    | 1          |    |
| 7         | W01002          | M3垫片           | M3 gasket                            | 2          |    |
| 8         | S01591          | 螺钉M3×18        | Screw M3×18                          | 2          |    |

# W3、底线检测装置 / Bottom line detection mechanism



### W3、底线检测装置 / Bottom line detection mechanism

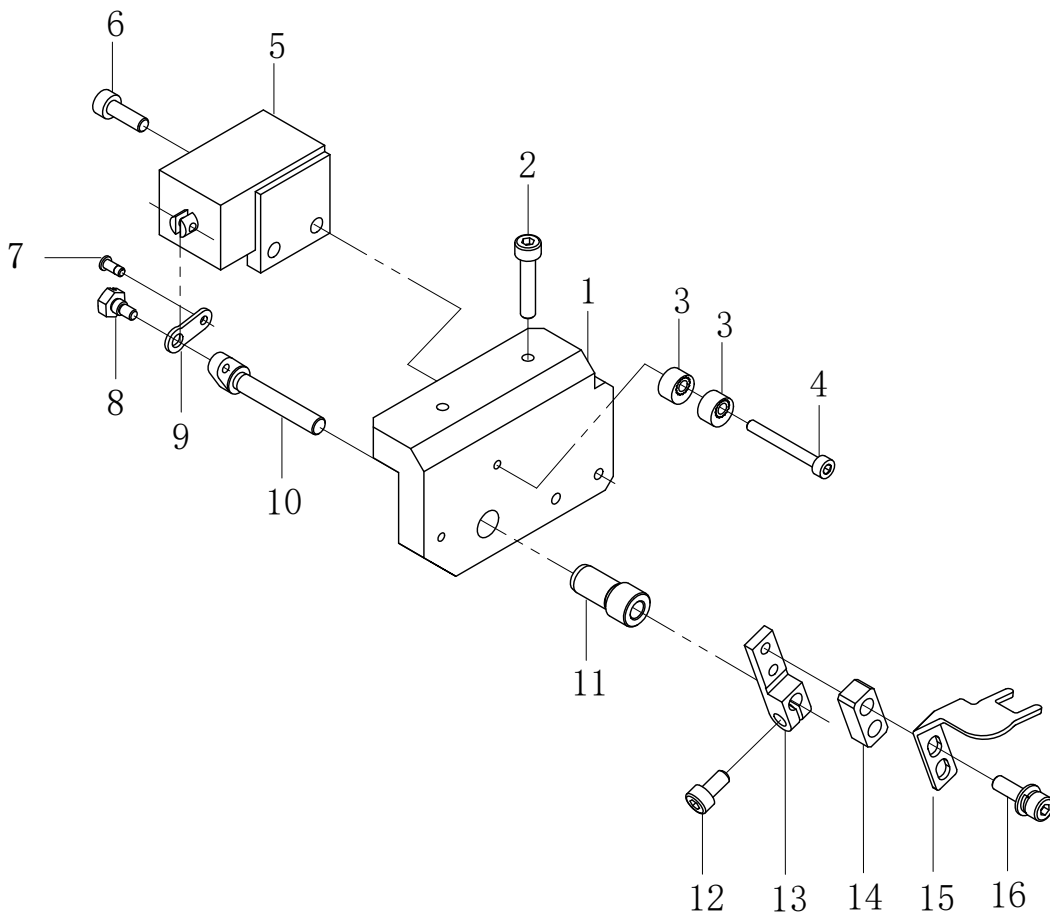
| 序号<br>No. | 件号<br>Part. No. | 零部件名称          | NAME OF PARTS                           | 数量<br>Amt. | 备注 |
|-----------|-----------------|----------------|---|------------|----|
| 1         | 14183000400     | 底线检测传感器        | Bottom thread detection sensor          | 1          |    |
| 2         | 413S14012       | 螺钉M3×14        | Screw M3×14                             | 1          |    |
| 3         | 417S30302       | 螺钉(带垫圈)M4×12   | Screw (with washer) M4×12               | 2          |    |
| 4         | 41812693        | 传感器支架B         | Sensor bracket B                        | 1          |    |
| 5         | N08008          | 非金属嵌件六角锁紧螺母M3  | Non-metallic insert hexagon lock nut M3 | 1          |    |
| 6         | 413S14012       | 螺钉M3×14        | Screw M3×14                             | 2          |    |
| 7         | 142016002       | 铜管G            | Brass G                                 | 1          |    |
| 8         | 418S30218       | 一字球面圆柱头螺钉M4×7  | Slotted cylindrical head screws M4×7    | 1          |    |
| 9         | 41845224        | 气管φ4×2.5黑色     | Trachea φ4×2.5 black                    | 0.5        |    |
| 10        | 40736036        | 气管接头APY4(Y型三通) | Trachea joint APY4 (Y type tee)         | 1          |    |
| 11        | 42130028        | 反射纸            | Reflective paper                        | 20         |    |
| 12        | 141818009       | 1.3倍梭芯         | 1.3 times the bobbin                    | 5          | P  |
| 12        | 41818621        | 两倍梭芯A          | Double bobbin A                         | 5          |    |
| 13        | W01002          | 平垫圈3           | Washer                                  | 1          |    |



W4-物联网 / Internet of things

| 序号<br>No. | 件号<br>Part. No. | 零部件名称  | NAME OF PARTS      | 数量<br>Amt. | 备注 |
|-----------|-----------------|--------|--------------------|------------|----|
| 1         | 61807032        | 铜柱16mm | Copper pillar 16mm | 2          |    |
| 2         | 141830042       | 物联网电路板 | IoT circuit board  | 1          |    |
| 3         | S04082          | 螺钉M3×6 | Screw M3×6         | 2          |    |
| 4         | 141830043       | 信号线    | Signal cable       | 1          |    |
| 5         | 141830044       | 电源线    | Power cable        | 1          |    |

# X1、扣线装置 / Catch string mechanism

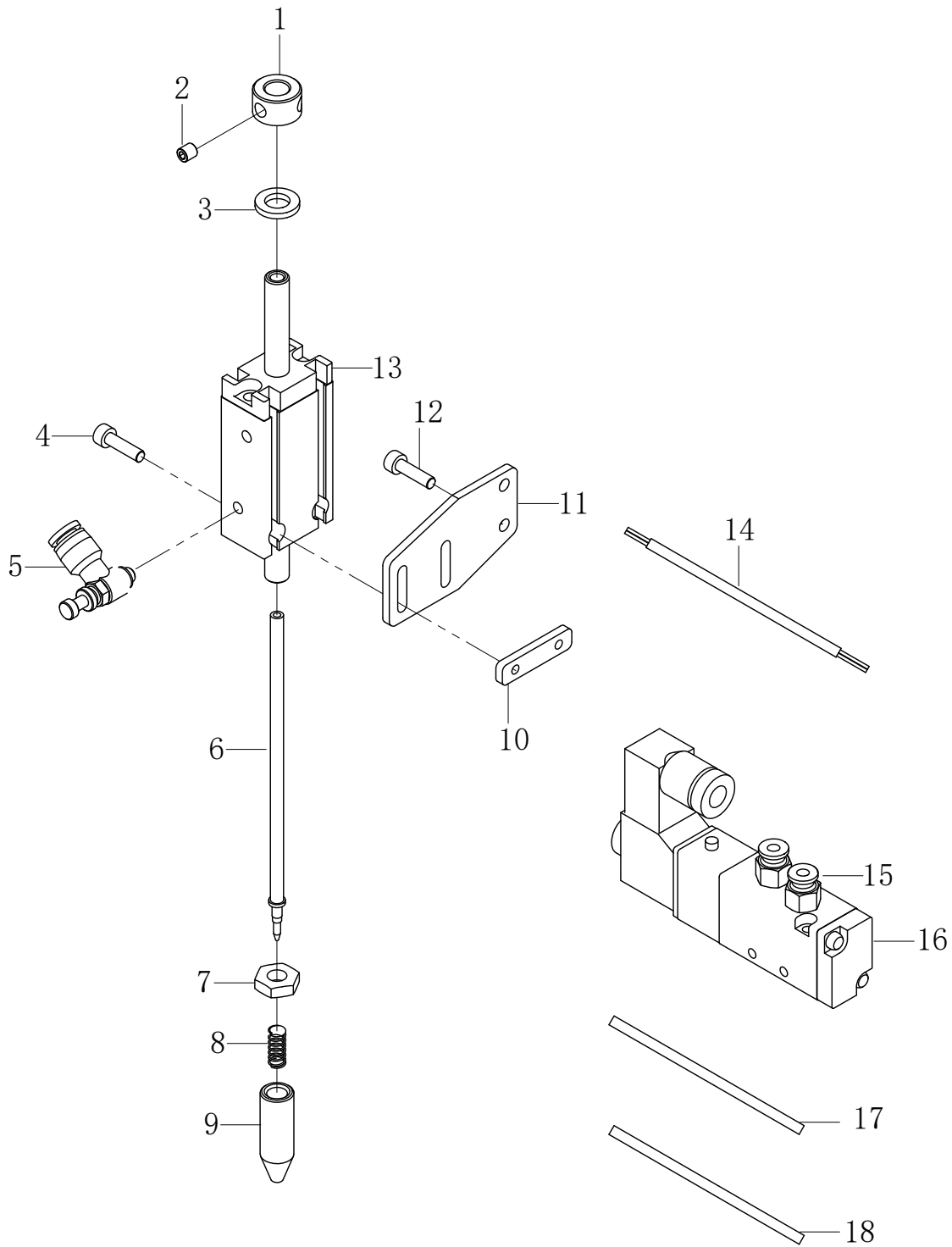


### X1、扣线装置 / Catch string mechanism

| 序号<br>No. | 件号<br>Part. No. | 零部件名称         | NAME OF PARTS                        | 数量<br>Amt. | 备注 |
|-----------|-----------------|---------------|--------------------------------------|------------|----|
| 1         | 41842036        | 挡线安装板         | Shield mounting plate                | 1          |    |
| 2         | S05119          | 螺钉M4×20       | Screw M4×20                          | 1          |    |
| 3         | 41811014        | 偏心限位套         | Eccentric limit sleeve               | 2          |    |
| 4         | S05215          | 螺钉M3×26       | Screw M3×26                          | 1          |    |
| 5         | 41830013        | 挡线电磁铁         | Wire blocking electromagnet          | 1          |    |
| 6         | S05133          | 内六角圆柱头螺钉M4×12 | Hexagon socket head cap screws M4×12 | 2          |    |
| 7         | 418S30015       | 螺销            | Screw                                | 1          |    |
| 8         | 418S20012       | 轴位螺钉          | Axial screw                          | 1          |    |
| 9         | 41812087        | 挡线驱动连杆        | Wire blocking drive link             | 1          |    |
| 10        | 41804014        | 挡线曲柄          | Line crank                           | 1          |    |
| 11        | 41803021        | 长轴套0508       | Long shaft sleeve 0508               | 1          |    |
| 12        | S05116          | 螺钉M4×8        | Screw M4×8                           | 1          |    |
| 13        | 41804015        | 挡线支架          | Retainer bracket                     | 1          |    |
| 14        | 142009006       | 扣线垫块          | Buckle pad of catch string           | 1          |    |
| 15        | 41812094        | 扣线叉窄          | Narrow buckle of catch string        | 1          |    |
| 16        | 417S30034       | 螺钉(带垫圈)M4×14  | Screw (with washer) M4×14            | 2          |    |



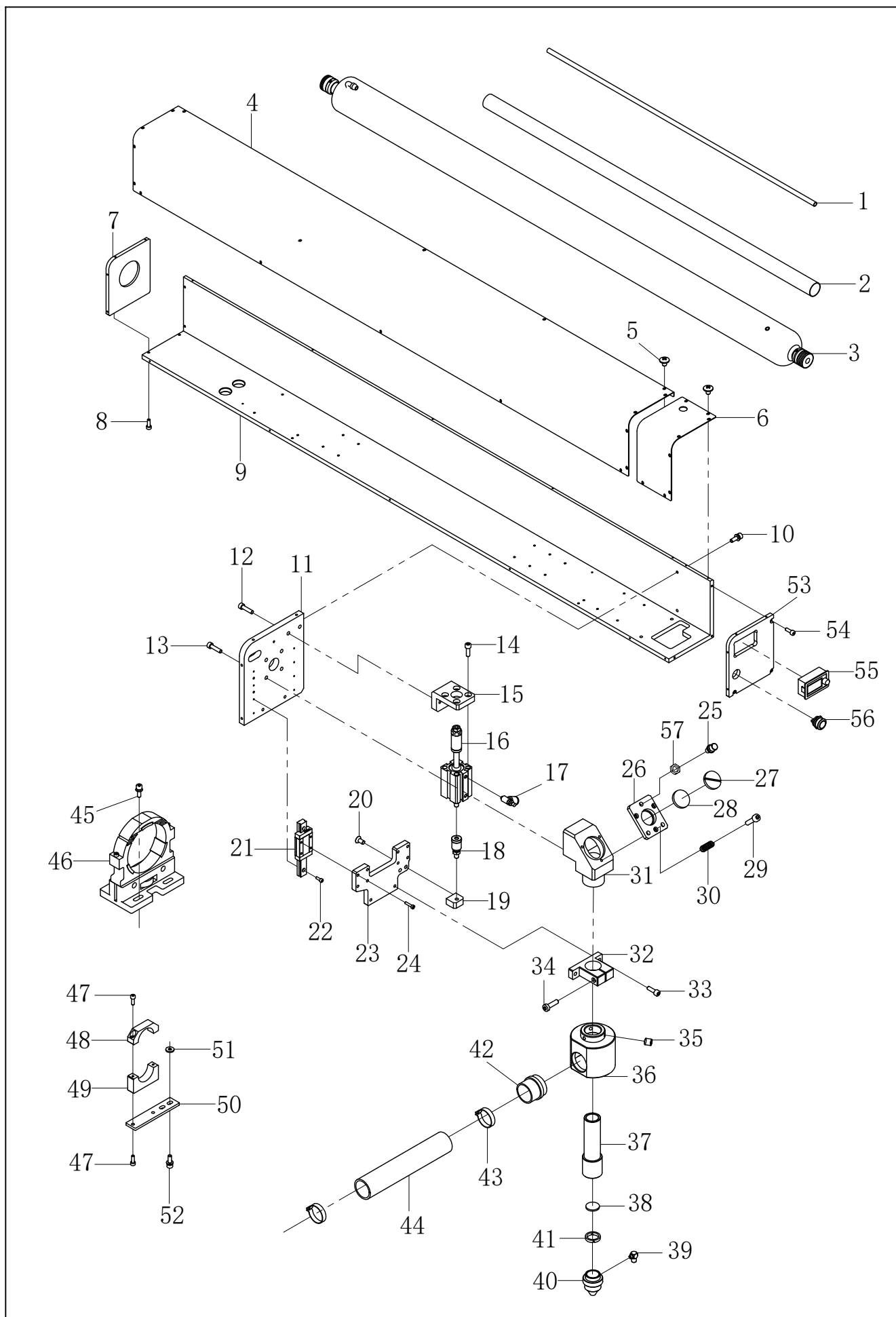
## X2、点笔装置 / Marking device



### X3、点笔装置 / Marking device

| 序号<br>No. | 件号<br>Part. No. | 零部件名称         | NAME OF PARTS                          | 数量<br>Amt. | 备注 |
|-----------|-----------------|---------------|--|------------|----|
| 1         | 41708002        | 紧圈B           | Tight ring B                           | 1          |    |
| 2         | S10019          | 螺钉M6×6        | Screw M6×6                             | 2          |    |
| 3         | 41722020        | 电磁铁缓冲垫圈       | Solenoid buffer washer                 | 1          |    |
| 4         | S05119          | 螺钉M4×20       | Screw M4×20                            | 2          |    |
| 5         | 41845231        | 接头ASL4-M5     | Connector ASL4-M5                      | 2          |    |
| 6         | 41811302        | 点笔笔芯          | Marking pen refill                     | 1          |    |
| 7         | N02030          | 薄螺母M8×1       | Thin nut M8×1                          | 1          |    |
| 8         | 41827302        | 点笔弹簧          | Marking pen spring                     | 1          |    |
| 9         | 418S16304       | 点笔杆锁帽         | Marking pen lock cap                   | 1          |    |
| 10        | 141812215       | 气缸调节片         | Cylinder regulator                     | 1          |    |
| 11        | 142012009       | 点笔气缸安装板       | Marking device cylinder mounting plate | 1          |    |
| 12        | S05133          | 螺钉M4×12       | Screw M4×12                            | 2          |    |
| 13        | 142045001       | 气缸CMDD16×25   | Air Cylinder CMDD16×25                 | 1          |    |
| 14        | 41730022        | 电磁阀接线         | Solenoid valve wiring                  | 1          |    |
| 15        | 41845222        | 螺纹直通APC4-01   | Thread straight through APC4-01        | 2          |    |
| 16        | 41845212        | 电磁阀4V110-06-B | Solenoid valve 4V110-06-B              | 1          |    |
| 17        | 41845224        | 气管φ4×2.5黑色    | Trachea φ4×2.5 black                   | 3          |    |
| 18        | 41845223        | 气管φ4×2.5透明蓝   | Trachea φ4×2.5 transparent blue        | 3          |    |

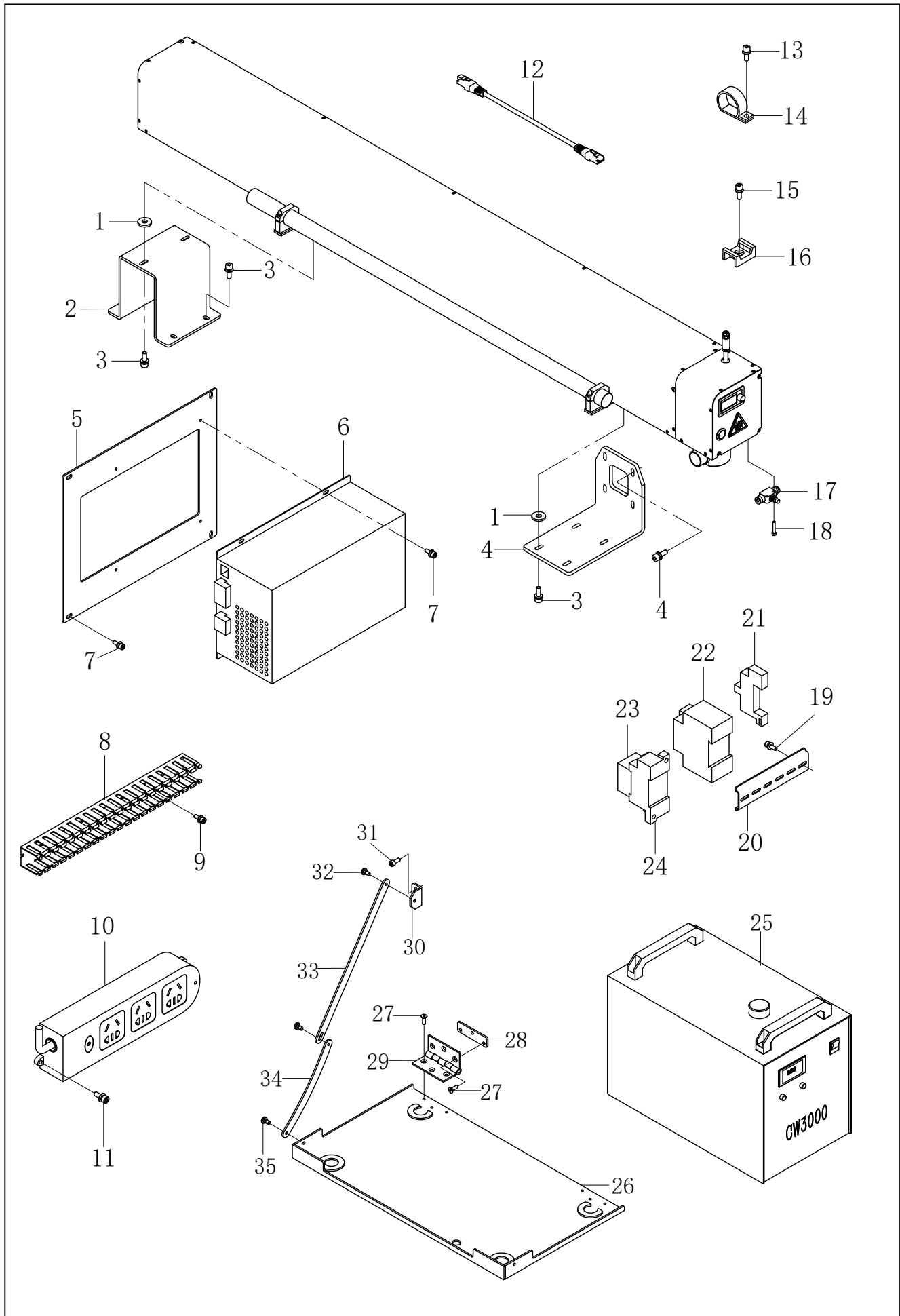
### X3、激光切割装置 / Laser cutting mechanism



#### X4、激光切割装置 / Laser cutting mechanism

| 序号<br>No. | 件号<br>Part. No. | 零部件名称        | NAME OF PARTS                        | 数量<br>Amt. | 备注              |
|-----------|-----------------|--------------|--------------------------------------|------------|-----------------|
| 1         | 41822701        | 水管           | Water pipe                           | 8          |                 |
| 2         | 142032075       | 上吸烟管A        | Upper suction duct A                 | 1          |                 |
| 3         | 142030020       | 激光管A2S       | Laser tube A2S                       | 1          |                 |
| 3         | 142030015       | 激光管A4S       | Laser tube A4S                       | 1          | F11B            |
| 4         | 930000536       | 腔体上盖C        | Upper cover of shell C               | 1          | 142012127       |
| 4         | 930000537       | 腔体上盖A        | Upper cover of shell A               | 1          | 142012106(F11B) |
| 5         | 421S10022       | 螺钉M4×6       | Screw M4×6                           | 26         |                 |
| 6         | 930000538       | 腔体上盖B        | Upper cover of shell B               | 1          | 142012107       |
| 7         | 142042008       | 腔体后盖板        | Chamber rear cover plate             | 1          |                 |
| 8         | S05118          | 螺钉M4×16      | Screw M4×16                          | 4          |                 |
| 9         | 142042019       | 激光壳体底板100W   | Shell bottom plate 100W              | 1          |                 |
| 9         | 142042015       | 腔体底板         | Shell bottom plate                   | 1          | F11B            |
| 10        | 421S13059       | 螺钉(带垫圈)M5×20 | Screw (with washer) M5×20            | 4          |                 |
| 11        | 142042016       | 腔体面板A        | Shell panel A                        | 1          |                 |
| 12        | S05026          | 螺钉M5×20      | Screw M5×20                          | 2          |                 |
| 13        | S05026          | 螺钉M5×20      | Screw M5×20                          | 4          |                 |
| 14        | S05124          | 螺钉M5×16      | Screw M5×16                          | 4          |                 |
| 15        | 142009008       | 气缸安装座        | Cylinder mounting base               | 1          |                 |
| 16        | 142030019       | 气缸           | Cylinder                             | 1          |                 |
| 17        | 41845231        | 接头ASL4-M5    | Connector ASL4-M5                    | 2          |                 |
| 18        | 142036002       | 浮动接头         | Floating joint                       | 1          |                 |
| 19        | 142042005       | 浮动接头连接座      | Floating joint connector             | 1          |                 |
| 20        | 421S17005       | 沉头螺钉M5×16    | Screw M5×16                          | 2          |                 |
| 21        | 142008001       | 上银导轨MGN12H   | Guide                                | 2          |                 |
| 22        | S05094          | 螺钉M3×8       | Screw M3×8                           | 8          |                 |
| 23        | 142042007       | 导轨联动板        | Guide rail linkage plate             | 1          |                 |
| 24        | 421S11001       | 螺钉           | Screw                                | 8          |                 |
| 25        | 1420NS20004     | 激光调节铜螺钉      | Screw                                | 3          |                 |
| 26        | 142009007       | 反射镜安装板       | Reflector mounting plate             | 1          |                 |
| 27        | 142008004       | 反射镜固定圈       | Mirror fixing ring                   | 1          |                 |
| 28        | 41811631        | 反射镜          | Silicon mirror                       | 1          |                 |
| 29        | S05064          | 螺钉M4×30      | Screw M4×30                          | 3          |                 |
| 30        | 142027002       | 反射镜弹簧        | Mirror spring                        | 3          |                 |
| 31        | 142001017       | 反射镜安装座       | Reflector mounting base              | 1          |                 |
| 32        | 142042009       | 出光筒固定座       | Fixing seat of light output cylinder | 1          |                 |
| 33        | S05124          | 螺钉M5×16      | Screw M5×16                          | 2          |                 |
| 34        | S05124          | 螺钉M5×16      | Screw M5×16                          | 1          |                 |
| 35        | S10019          | 紧定螺钉M6×6     | Screw M6×6                           | 3          |                 |
| 36        | 142042010       | 吸烟罩A         | Smoking hood A                       | 1          |                 |
| 37        | 142002015       | 镜筒A          | Lens barrel A                        | 1          |                 |
| 38        | 41830701        | 聚焦镜          | Focusing lens                        | 1          |                 |
| 39        | 42230519        | 微型接头         | Mini connector                       | 1          |                 |
| 40        | 142002014       | 出光口A         | Light outlet A                       | 1          |                 |
| 41        | 142008003       | 聚焦镜固定圈       | Fixed ring of focusing lens          | 1          |                 |
| 42        | 142042011       | 上吸烟管接口       | Smoking pipe connection              | 1          |                 |
| 43        | 41831409        | 抱箍25-38      | Hoop 25-38                           | 1          |                 |
| 44        | 142011017       | 吸烟软管32       | Hose 32                              | 0.5        |                 |
| 45        | 421S13059       | 螺钉(带垫圈)M5×20 | Screw (with washer) M5×20            | 8          |                 |
| 46        | 142011015       | 激光管支架80      | Laser tube bracket 80                | 2          |                 |
| 47        | S05133          | 螺钉M4×12      | Screw M4×12                          | 8          |                 |
| 48        | 142042014       | 上吸烟管安装座B     | Smoking pipe mounting base B         | 2          |                 |
| 49        | 142042013       | 上吸烟管安装座A     | Smoking pipe mounting base A         | 2          |                 |
| 50        | 142012105       | 吸烟管座安装板      | Mounting plate for smoking socket    | 2          |                 |
| 51        | 41828611        | 平垫圈M5        | Flat washer M5                       | 4          |                 |
| 52        | 417S30306       | 螺钉(带垫圈)M5×15 | Screw (with washer) M5×15            | 4          |                 |
| 53        | 142042017       | 腔体面板B        | Shell panel B                        | 1          |                 |
| 54        | S05133          | 螺钉M4×12      | Screw M4×12                          | 3          |                 |
| 55        | 142030011       | 一体式电位器       | Integrated potentiometer             | 1          |                 |
| 56        | 142030014       | 点动开关         | Inching switch                       | 1          |                 |
| 57        | 1420NS16007     | 反射镜调节螺母      | Mirror adjusting nut                 | 1          |                 |

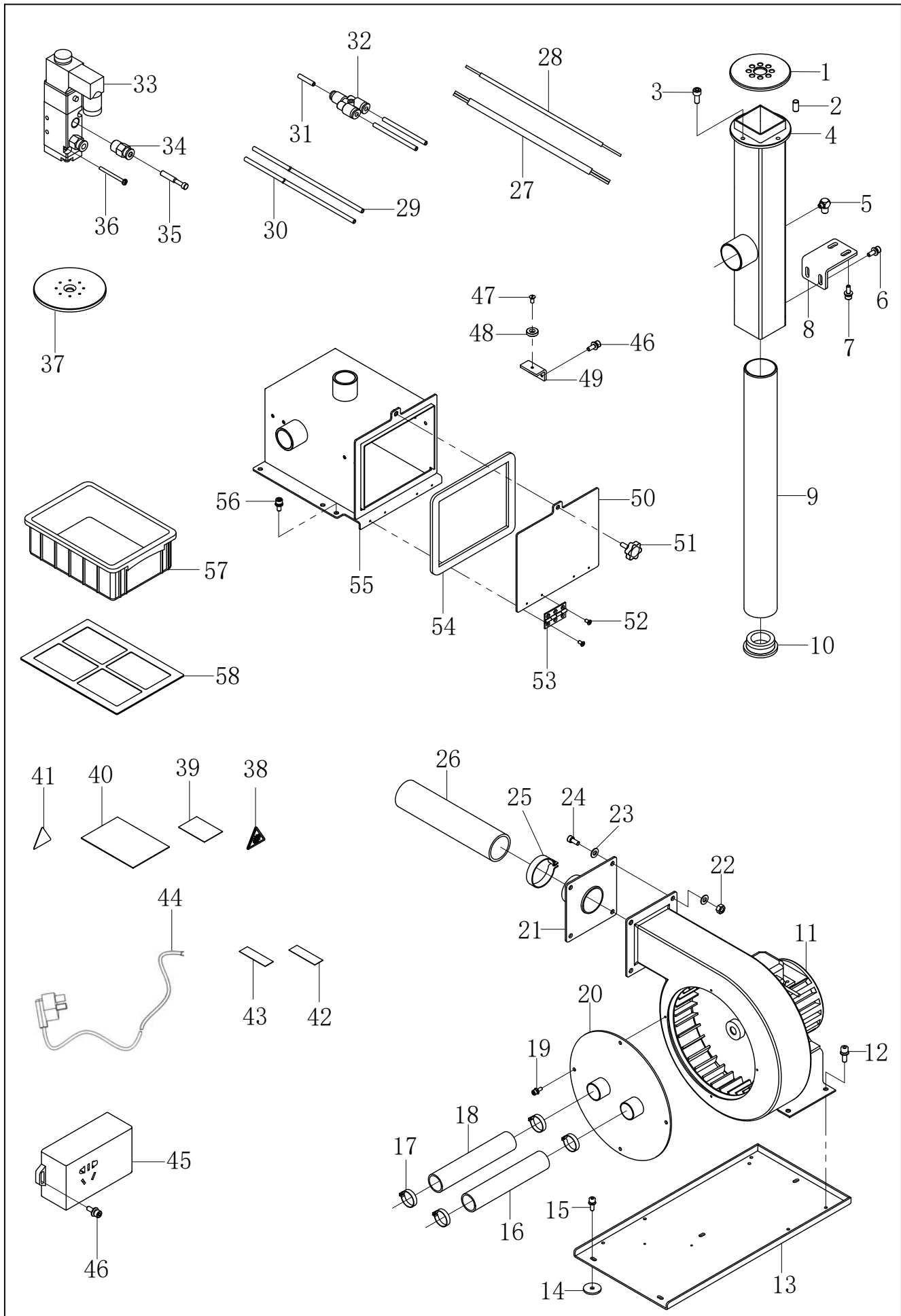
# X4、激光切割控制部分 / Laser cutting control part



### X5、激光切割控制部分 / Laser cutting control part

| 序号<br>No. | 件号<br>Part. No. | 零部件名称        | NAME OF PARTS                      | 数量<br>Amt. | 备注          |
|-----------|-----------------|--------------|------------------------------------|------------|-------------|
| 1         | 41822012        | 减振垫圈         | Damping washer                     | 6          |             |
| 2         | 930000323       | 腔体后支架        | Cavity rear bracket                | 1          | 142012055   |
| 3         | 417S30306       | 螺钉(带垫圈)M5×15 | Screw (with washer) M5×15          | 14         |             |
| 4         | 930000322       | 腔体前支架        | Cavity front bracket               | 1          | 142012054   |
| 5         | 930000539       | 激光电源安装板A     | Laser power supply mounting plate  | 1          | 142012108   |
| 6         | 142030016       | 激光电源箱120W    | Laser power supply 120W            | 1          |             |
| 7         | 417S30302       | 螺钉(带垫圈)M4×12 | Screw (with washer) M4×12          | 8          |             |
| 8         | 142011006       | 线槽4040-850   | Trunk 4040-850                     | 1          |             |
| 9         | 417S30302       | 螺钉(带垫圈)M4×12 | Screw (with washer) M4×12          | 2          |             |
| 10        | 141830013       | 公牛插板3插孔      | Bull plug 3 jack                   | 1          |             |
| 11        | 417S30302       | 螺钉(带垫圈)M4×12 | Screw (with washer) M4×12          | 2          |             |
| 12        | 142030017       | 网线           | Network cable                      | 1          |             |
| 13        | 417S30302       | 螺钉(带垫圈)M4×12 | Screw (with washer) M4×12          | 5          |             |
| 14        | 41711025        | 电线夹19        | Wire clip 19                       | 5          |             |
| 15        | 417S30302       | 螺钉(带垫圈)M4×12 | Screw (with washer) M4×12          | 4          |             |
| 16        | 142011016       | 扎带固定座        | Cable tie holder                   | 4          |             |
| 17        | 42130105        | 接头           | Tracheal connector                 | 1          |             |
| 18        | S01591          | 螺钉M3×18      | Screw M3×18                        | 2          |             |
| 19        | 417S30302       | 螺钉(带垫圈)M4×12 | Screw (with washer) M4×12          | 2          |             |
| 20        | 142012052       | 电气安装板        | Electrical mounting plate          | 1          |             |
| 21        | 141830037       | 卡件           | Card                               | 2          |             |
| 22        |                 | 空气开关         | Air switch                         | 1          |             |
| 23        | 41830302        | 中间继电器        | Intermediate relay                 | 2          |             |
| 24        | 41830303        | 中间继电器座       | Intermediate relay seat            | 2          |             |
| 25        | 41830703        | 3000型水箱      | 3000 type water tank               | 1          |             |
| 26        | 930000326       | 水箱安装板组件      | Water tank mounting plate assembly | 1          | 14201206700 |
| 27        | 417S17852       | 沉头螺钉M5×16    | Countersunk head screw M5×16       | 12         |             |
| 28        | 142012084       | 合页垫板         | Hinge pad                          | 2          |             |
| 29        | 142031002       | 合页A          | Hinge A                            | 2          |             |
| 30        | 142012064       | 水箱拉杆支架       | Water tank lever bracket           | 2          |             |
| 31        | S05123          | 螺钉M5×12      | Screw M5×12                        | 4          |             |
| 32        | 423S20004       | 轴位螺钉         | Axial screw                        | 6          |             |
| 33        | 142012065       | 水箱拉杆A        | Water tank rod A                   | 2          |             |
| 34        | 142012066       | 水箱拉杆B        | Water tank rod B                   | 2          |             |

# X5、激光切割吸烟装置 / Laser cutting smoke exhaust part

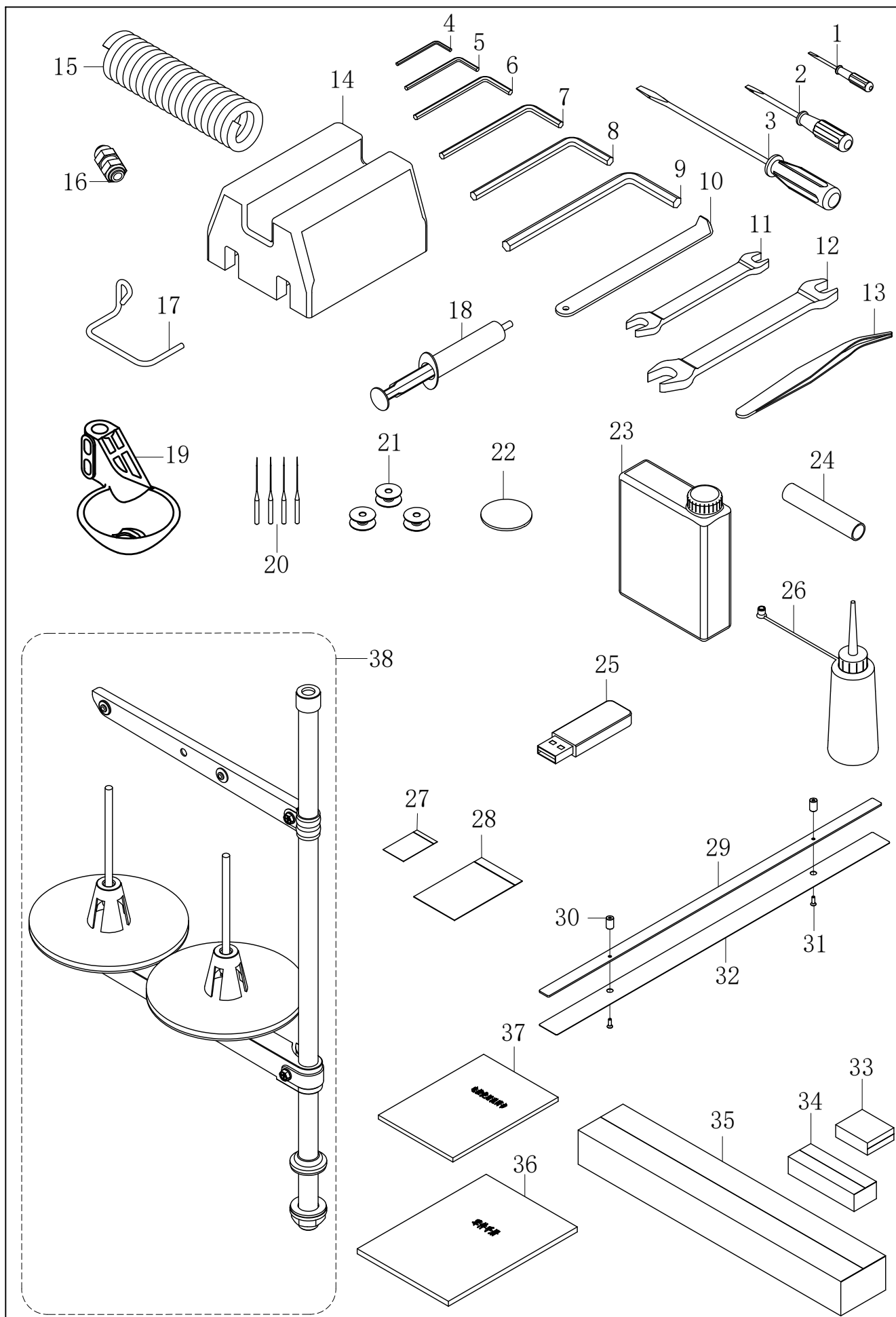


## X6、激光切割吸风装置 / Laser cutting smoke exhaust part

| 序号<br>No. | 件号<br>Part. No. | 零部件名称          | NAME OF PARTS                            | 数量<br>Amt. | 备注          |
|-----------|-----------------|----------------|--|------------|-------------|
| 1         | 141812017       | 吸风口板-中厚料       | Suction port plate-medium thick material | 1          |             |
| 2         | 41831019        | 强力磁铁6×12       | Powerful magnet 6×12                     | 4          |             |
| 3         | S05123          | 螺钉M5×12        | Screw M5×12                              | 4          |             |
| 4         | 930000327       | 集尘盒组件M         | Dust box assembly M                      | 1          | 14201207100 |
| 5         | 42230519        | 微型接头M-5HLH-4   | Mini connector M-5HLH-4                  | 1          |             |
| 6         | 417S30302       | 螺钉(带垫圈)M4×12   | Screw (with washer) M4×12                | 2          |             |
| 7         | 417S30302       | 螺钉(带垫圈)M4×12   | Screw (with washer) M4×12                | 2          |             |
| 8         | 142012070       | 集尘盒固定板         | Dust box fixing plate                    | 1          |             |
| 9         | 930000328       | 集尘筒            | Dust collector                           | 1          | 142012075   |
| 10        | 141822006       | 橡皮塞31          | Rubber stopper 31                        | 1          |             |
| 11        | 41830705        | 离心风机650W       | Centrifugal fan 650W                     | 1          |             |
| 12        | 417S30037       | 螺钉(带垫圈)M6×14   | Screw (with washer) M6×14                | 4          |             |
| 13        | 930000325       | 风机安装板S         | Fan mounting plate S                     | 1          | 142012060   |
| 14        | 40931008        | 电机座垫           | Motor base                               | 4          |             |
| 15        | 417S30306       | 螺钉(带垫圈)M5×15   | Screw (with washer) M5×15                | 4          |             |
| 16        | 41831408        | 钢丝软管φ32        | Steel wire hose φ32                      | 3M         |             |
| 17        | 41831409        | 抱箍25-38        | Hoop 25-38                               | 3          |             |
| 18        | 41831408        | 钢丝软管φ32        | Steel wire hose φ32                      | 1.5M       |             |
| 19        | 417S30302       | 螺钉(带垫圈)M4×12   | Screw (with washer) M4×12                | 4          |             |
| 20        | 930000045       | 离心风机进风口组件      | Centrifugal fan air inlet assembly       | 1          | 4181256000  |
| 21        | 930000046       | 离心风机出风口组件      | Centrifugal fan outlet assembly          | 1          | 4181256100  |
| 22        | 407N01001       | 自锁螺母M5         | Self-locking nut M5                      | 4          |             |
| 23        | 41828611        | 平垫圈M5          | Flat washer M5                           | 12         |             |
| 24        | S05123          | 螺钉M5×12        | Screw M5×12                              | 4          |             |
| 25        | 141831039       | 抱箍40-63        | Hoop 40-63                               | 1          |             |
| 26        | 141831038       | 软管50           | Hose 50                                  | 5M         |             |
| 27        | 41730022        | 电磁阀接线          | Solenoid valve wire                      | 15M        |             |
| 28        | 141830008       | 单芯线            | Single core wire                         | 3M         |             |
| 29        | 41845223        | 气管φ4×2.5透明蓝    | Trachea φ4×2.5 transparent blue          | 4M         |             |
| 30        | 41845224        | 气管φ4×2.5黑色     | Trachea φ4×2.5 black                     | 4M         |             |
| 31        | 41845224        | 气管φ4×2.5黑色     | Trachea φ4×2.5 black                     | 5M         |             |
| 32        | 40736036        | 气管接头APY4(Y型三通) | Trachea joint APY4 (Y type tee)          | 1          |             |
| 33        | 41845212        | 电磁阀4V110-06-B  | Solenoid valve 4V110-06-B                | 2          |             |
| 34        | 41845222        | 螺纹直通APC4-01    | Tube joints APC4-01                      | 4          |             |
| 35        | 42122001        | 快换插头KQ2P-04    | Quick change plug KQ2P-04                | 1          |             |
| 36        | 421S11013       | 螺钉M4×35        | Screw M4×35                              | 4          |             |
| 37        | 41812551        | 吸风口板           | Suction board                            | 1          |             |
| 38        | 142037003       | 激光标识贴          | Laser label                              | 1          |             |
| 39        | 141823002       | 擦镜纸            | Mirror cleaning paper                    | 5          |             |
| 40        | 41837617        | 激光设备注意事项贴      | Precautions for laser equipment          | 1          |             |
| 41        | 41837616        | 三角高压危险标贴       | Triangular high-pressure hazard label    | 3          |             |
| 42        | 141837004       | IN标贴           | In label                                 | 2          |             |
| 43        | 141837005       | OUT标贴          | Out label                                | 2          |             |
| 44        | 42230512        | 主电源开关线(5M)     | Main power switch line (5M)              | 2          |             |
| 45        | 41830021        | 插线板A01         | Plug board A01                           | 1          |             |
| 46        | 417S30302       | 螺钉(带垫圈)M4×12   | Screw (with washer) M4×12                | 10         |             |
| 47        | S02039          | 螺钉M4×9         | Screw M4×9                               | 4          |             |
| 48        | 142047002       | 圆磁铁15          | Round magnet 15                          | 4          |             |
| 49        | 142012136       | 磁铁安装板          | Magnet mounting plate                    | 4          |             |
| 50        | 930000563       | 烟雾过滤箱面板        | Smoke filter box panel                   | 1          | 142012129   |
| 51        | 1420NS30002     | 梅花螺钉M5×15      | Plum blossom screw M5×15                 | 1          |             |
| 52        | S02032          | 螺钉M3×6         | Screw M3×6                               | 8          |             |
| 53        | 41831012        | 铜合页1.5寸        | Copper hinge                             | 2          |             |
| 54        | 142022004       | 密封条D型          | Sealing strip                            | 1M         |             |
| 55        | 930000562       | 烟雾过滤箱          | Smoke filter box                         | 1          | 14201213000 |
| 56        | 417S30036       | 螺钉(带垫圈)M5×12   | Screw (with washer) M5×12                | 2          |             |
| 57        | 142022005       | 过滤箱塑料盒         | Filter box plastic box                   | 1          |             |
| 58        | 14201213300     | 烟雾过滤网60目组件     | Smoke filter 60 mesh                     | 1          |             |



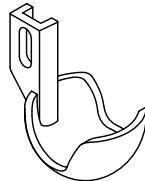
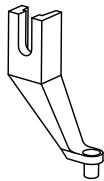
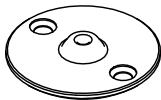
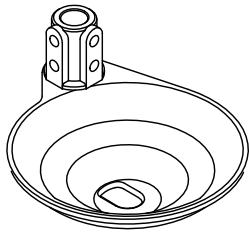
# Z1、附件 / Accessories



## Z1、附件 / Accessories

| 序号<br>No. | 件号<br>Part. No. | 零部件名称        | NAME OF PARTS                                  | 数量<br>Amt. | 备注 |
|-----------|-----------------|--------------|--|------------|----|
| 1         | 10131004        | 螺丝刀(小)       | Screwdriver (small)                            | 1          |    |
| 2         | 10131003        | 螺丝刀(中)       | Screwdriver (middle)                           | 1          |    |
| 3         | 10131002        | 螺丝刀(大)       | Screwdriver (large)                            | 1          |    |
| 4         | 30131007        | 内六角扳手(1.5mm) | Allen wrench (1.5mm)                           | 1          |    |
| 5         | 20131046        | 内六角扳手(2mm)   | Allen wrench (2mm)                             | 1          |    |
| 6         | 30131010        | 内六角扳手(2.5mm) | Allen wrench (2.5mm)                           | 1          |    |
| 7         | 30131012        | 内六角扳手(3mm)   | Allen wrench (3mm)                             | 1          |    |
| 8         | 20131047        | 内六角扳手(4mm)   | Allen wrench (4mm)                             | 1          |    |
| 9         | 20131056        | 内六角扳手(5mm)   | Allen wrench (5mm)                             | 1          |    |
| 10        | 41712355        | 针板专用螺丝刀      | Special screwdriver for needle board           | 1          |    |
| 11        | 30131005        | 扳手(6mm~7mm)  | Wrench (6mm~7mm)                               | 1          |    |
| 12        | 30131006        | 扳手(8mm~10mm) | Wrench (8mm~10mm)                              | 1          |    |
| 13        | 20131051        | 镊子           | Tweezers                                       | 1          |    |
| 14        | 42211812        | 机头支撑         | Nose support                                   | 1          |    |
| 15        | 40730010        | 螺旋气管         | Spiral trachea                                 | 6          |    |
| 16        | 40736001        | 螺纹套管接头       | Threaded casing joint                          | 1          |    |
| 17        | 41712009        | 护指器          | Finger guard                                   | 1          |    |
| 18        | 11411029        | 注射器          | Syringe  | 1          |    |
| 19        | 142016009       | 塑料外压脚        | Plastic Presser foot                           | 3          |    |
| 20        | 42217503        | 机针DP×5 9#    | Machine needle DP×5 9#                         | 4          |    |
| 21        | 10818501        | 大梭心          | Big bobbin                                     | 1          |    |
| 21        | 41818621        | 两倍梭芯A(底线检测)  | Double bobbin A (bottom thread detection)      | 1          |    |
| 21        | 13818002        | 梭芯(1.3倍)     | Bobbin (1.3 times)                             | 1          | P  |
| 21        | 141818009       | 1.3倍梭芯(底线检测) | 1.3 times the bobbin (bottom thread detection) | 1          | P  |
| 22        | 41830017        | 电子标签卡        | Electronic label card                          | 30         |    |
| 23        | 1011101200      | 油箱组件         | Fuel tank components                           | 1          |    |
| 23        | 915305          | 工业白油         | Industrial white oil                           | 0.5        |    |
| 24        | 12921006        | 维尼龙油管(φ6×φ8) | Vinyon tubing (φ6×φ8)                          | 0.5        |    |
| 25        | 42230854        | U盘           | U disk   | 1          |    |
| 26        | 11631008        | 油壶           | Oiler  | 1          |    |
| 27        | 20131076        | 15×9袋        | 15×9 bags                                      | 6          |    |
| 28        | 20131077        | 20×15袋       | 20×15 bags                                     | 2          |    |
| 29        | 42212800        | 塑料托板         | Plastic pallet                                 | 15         |    |
| 30        | 42226812        | 夹紧销          | Clamping pin                                   | 30         |    |
| 31        | 417S17852       | 螺钉M5×15      | Screw M5×15                                    | 30         |    |
| 32        | 42212820        | 透明托板         | Transparent pallet                             | 3          |    |
| 33        | 42231101        | 操作屏纸箱        | Operation screen carton                        | 1          |    |
| 34        | 41731015        | 花样机附件箱B      | Pattern accessory box B                        | 1          |    |
| 35        | 141831017       | X同步带模组附件箱    | X synchronous belt module accessory box        | 1          | T  |
| 35        | 141831018       | X模组支撑纸板A     | X Module Support Cardboard A                   | 2          | T  |
| 35        | 141831019       | X模组支撑纸板B     | X Module Support Cardboard B                   | 2          | T  |
| 35        | 141831020       | X模组支撑纸板C     | X Module Support Cardboard C                   | 1          | T  |
| 35        | 141831064       | X丝杆纸箱        | X screw carton                                 | 1          | S  |
| 35        | 141844009       | 气泡袋          | Bubble bag                                     | 2          | S  |
| 35        | 141844008       | 气泡柱          | Bubble column                                  | 0.5        | S  |
| 36        | 142031004       | 零件样本         | Parts sample                                   | 1          |    |
| 36        | 142031005       | 零件样本B        | Parts sample B                                 | 1          | B  |
| 37        | 41831622        | 电控使用说明书V2CP  | Electronic Control User Manual V2CP            | 1          |    |
| 38        | 14183106000     | 线架组件         | Wire rack assembly                             | 1          |    |
| 38        | 14183106100     | 线架组件B        | Thread stand assembly B                        | 1          | B  |

Z2、工模具一览表 / Gauge parts list



Z2、工模具一览表 / Gauge parts list

| 序号<br>No. | 件号<br>Part. No. | 零部件名称              | NAME OF PARTS                              | 数量<br>Amt. | 备注 |
|-----------|-----------------|--------------------|--|------------|----|
| 1         | 14201600100     | 大压脚H               | Big Presser Foot H                         | 1          |    |
| 11        | 41815011        | 针孔板 $\phi$ 1.8T2.0 | Pinhole of plate $\phi$ 1.8T2.0            | 1          |    |
| 12        | 41815022        | 针孔板 $\phi$ 1.8T2.5 | Pinhole of plate $\phi$ 1.8T2.5            | 1          |    |
| 13        | 41815012        | 针孔板 $\phi$ 1.6T1.6 | Pinhole of plate $\phi$ 1.6T1.6            | 1          |    |
| 14        | 41815013        | 针孔板 $\phi$ 2.0T1.6 | Pinhole of plate $\phi$ 2.0T1.6            | 1          |    |
| 15        | 41815612        | 针孔板2.0T2.0         | Pinhole of plate $\phi$ 2.0T2.0            | 1          |    |
| 16        | 41815613        | 针孔板2.0T2.5         | Pinhole of plate $\phi$ 2.0T2.5            | 1          |    |
| 17        | 41815614        | 针孔板2.5T1.5         | Pinhole of plate $\phi$ 2.5T1.5            | 1          |    |
| 18        | 41815615        | 针孔板3.0T1.5         | Pinhole of plate $\phi$ 3.0T1.5            | 1          |    |
| 19        | 42215502        | 针孔板 $\phi$ 1.8T1.3 | Pinhole of plate $\phi$ 1.8T1.3            | 1          |    |
| 31        | 42216505        | 中压脚                | Middle Presser Foot                        | 1          |    |
| 32        | 41816022        | 中压脚2.0(防漏绒)        | Presser Foot 2.0 (preventing down leakage) | 1          |    |
| 33        | 141816001       | 绉棉压脚               | Presser Foot for quilting                  | 1          |    |