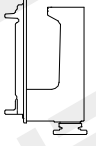



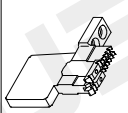
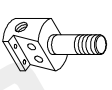
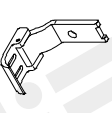
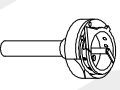


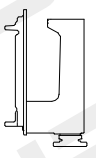



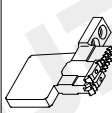
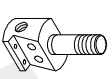
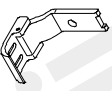
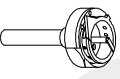




# T828 規格件表 / CONVERSION CHART

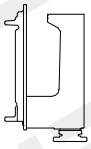



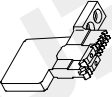
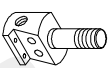
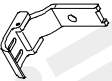
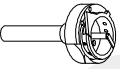


P1.

MODEL	OPERATING PANEL	SUB-CLASS	NEEDLE PLATE	FEED DOG	NEEDLE CLAMP	PRESSER FOOT	HOOK	BOBBIN	NEEDLE
									
機 型	操作盒	規 格	針 板	下送具	針 鉗	押 具	旋 梭	梭 子	針 號
T828-42-032ML		1/8"(3.2)	E734	D734/P	M734	P734/S	G161	G307	DPX5#14
T828-42-048ML		3/16"(4.8)	E736	D736/P	M736	P736/S	G161	G307	DPX5#14
T828-42-064ML		1/4"(6.4)	E730	D730/P	M730	P730/S	G161	G307	DPX5#14
T828-42-032M		1/8"(3.2)	E734	D734/P	M734	P734/S	G162-A (G162+G406)	G307	DPX5#14
T828-42-048M		3/16"(4.8)	E736	D736/P	M736	P736/S	G162-A (G162+G406)	G307	DPX5#14
T828-42-064M		1/4"(6.4)	E730	D730/P	M730	P730/S	G162-A (G162+G406)	G307	DPX5#14
T828-42-032HL		1/8"(3.2)	E762	D734/P	M734	P734/S	G167	G307	DPX5#22
T828-42-048HL		3/16"(4.8)	E761	D736Q	M736	P736/S	G167	G307	DPX5#22
T828-42-064HL		1/4"(6.4)	E760	D730Q	M730	P730/S	G167	G307	DPX5#22
T828-42-032H		1/8"(3.2)	E762	D734/P	M734	P734/S	G162-A (G162+G406)	G307	DPX5#22
T828-42-048H		3/16"(4.8)	E761	D736Q	M736	P736/S	G162-A (G162+G406)	G307	DPX5#22
T828-42-064H		1/4"(6.4)	E760	D730Q	M730	P730/S	G162-A (G162+G406)	G307	DPX5#22
T828-42-032ML/C		1/8"(3.2)	E754-A	D754	M734	P754/S	G163	G307	DPX5#14
T828-42-048ML/C		3/16"(4.8)	E766-A	D766	M736	P766/S	G163	G307	DPX5#14
T828-42-064ML/C		1/4"(6.4)	E745-A	D745	M730	P745/S	G163	G307	DPX5#14
T828-42-032M/C		1/8"(3.2)	E754-A	D754	M734	P754/S	G164-A (G164+G406)	G307	DPX5#14
T828-42-048M/C		3/16"(4.8)	E766-A	D766	M736	P766/S	G164-A (G164+G406)	G307	DPX5#14
T828-42-064M/C		1/4"(6.4)	E745-A	D745	M730	P745/S	G164-A (G164+G406)	G307	DPX5#14

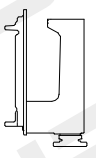



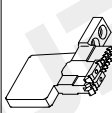
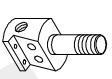
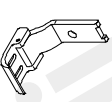
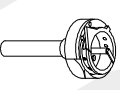


# T828 規格件表 / CONVERSION CHART

MODEL	OPERATING PANEL	SUB-CLASS	NEEDLE PLATE	FEED DOG	NEEDLE CLAMP	PRESSER FOOT	HOOK	BOBBIN	NEEDLE
									
機 型	操作盒	規 格	針 板	下送具	針 鉗	押 具	旋 梭	梭 子	針 號
T828-42-032HL/C	C300M-A2	1/8" (3.2)	E788-A	D788D	M734	P754/S	G163	G307	DPX5#22
T828-42-048HL/C	C300M-A2	3/16" (4.8)	E787-A	D787D	M736	P766/S	G163	G307	DPX5#22
T828-42-064HL/C	C300M-A2	1/4" (6.4)	E786-A	D786D	M730	P745/S	G163	G307	DPX5#22
T828-42-032H/C	C300M-A2	1/8" (3.2)	E788-A	D788D	M734	P754/S	G164-A (G164+G406)	G307	DPX5#22
T828-42-048H/C	C300M-A2	3/16" (4.8)	E787-A	D787D	M736	P766/S	G164-A (G164+G406)	G307	DPX5#22
T828-42-064H/C	C300M-A2	1/4" (6.4)	E786-A	D786D	M730	P745/S	G164-A (G164+G406)	G307	DPX5#22
T828-42-040VL/C	C300M-A2	5/32" (4.0)	E755P-A	D755P	M735P-E	P775P	G163	G307	DPX5#14
T828-42-048VL/C	C300M-A2	3/16" (4.8)	E766P-A	D766P	M766P-E	P766P	G163	G307	DPX5#14
T828-42-127KL/C	C301-A	1/2" (12.7)	E763-A	D763	M763	P763	G163	G307	DPX5#14
T828-45-032M		1/8" (3.2)	E762	D734/P	M0032R M0032L	P734/S	G169-A (G169+G409)	G307	DPX5#14
T828-45-048M		3/16" (4.8)	E761	D736/P	M0048R M0048L	P736/S	G169-A (G169+G409)	G307	DPX5#14
T828-45-064M		1/4" (6.4)	E760	D730/P	M0064R M0064L	P730/S	G169-A (G169+G409)	G307	DPX5#14
T828-45-032H		1/8" (3.2)	E762	D734/P	M0032R M0032L	P734/S	G169-A (G169+G409)	G307	DPX5#22
T828-45-048H		3/16" (4.8)	E761	D736Q	M0048R M0048L	P736/S	G169-A (G169+G409)	G307	DPX5#22
T828-45-064H		1/4" (6.4)	E760	D730Q	M0064R M0064L	P730/S	G169-A (G169+G409)	G307	DPX5#22
T828-45-032M/C	C300M-A2	1/8" (3.2)	E788-A	D754	M0032R M0032L	P754/S	G170-A (G170+G410)	G307	DPX5#14
T828-45-048M/C	C300M-A2	3/16" (4.8)	E787-A	D766	M0048R M0048L	P766/S	G170-A (G170+G410)	G307	DPX5#14
T828-45-064M/C	C300M-A2	1/4" (6.4)	E786-A	D745	M0064R M0064L	P745/S	G170-A (G170+G410)	G307	DPX5#14

# T828 規格件表 / CONVERSION CHART

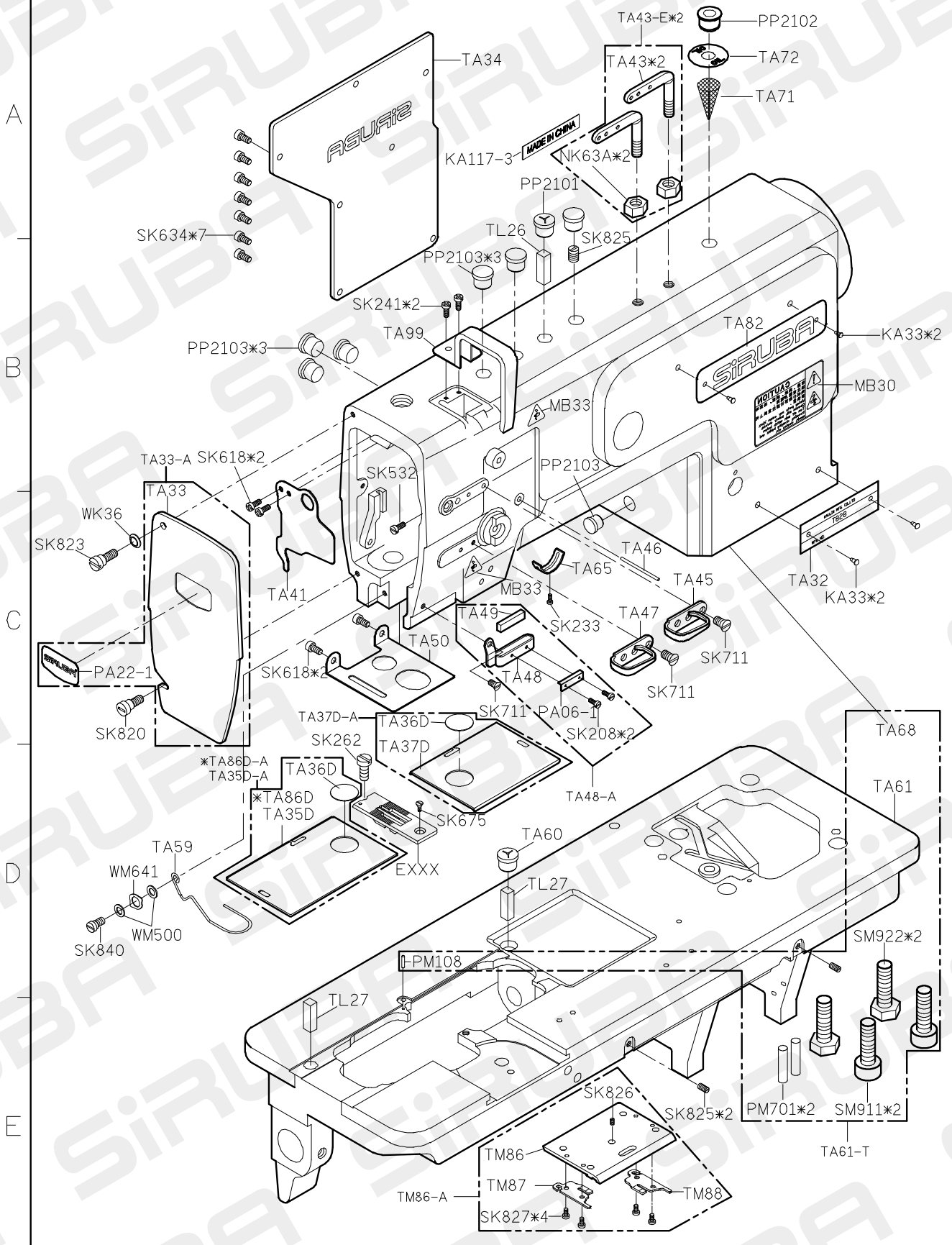
MODEL	OPERATING PANEL	SUB-CLASS	NEEDLE PLATE	FEED DOG	NEEDLE CLAMP	PRESSER FOOT	HOOK	BOBBIN	NEEDLE
									
機 型	操作盒	規 格	針 板	下送具	針 鉗	押 具	旋 梭	梭 子	針 號
T828-45-032H/C	C300M-A2	1/8"(3.2)	E788-A	D788D	M0032R M0032L	P754/S	G170-A (G170+G410)	G307	DPX5#22
T828-45-048H/C	C300M-A2	3/16"(4.8)	E787-A	D787D	M0048R M0048L	P766/S	G170-A (G170+G410)	G307	DPX5#22
T828-45-064H/C	C300M-A2	1/4"(6.4)	E786-A	D786D	M0064R M0064L	P745/S	G170-A (G170+G410)	G307	DPX5#22
T828-47-032LL		1/8"(3.2)	E791	D791	M734	P791/S	G161	G307	DPX5#11
T828-47-048LL		3/16"(4.8)	E790	D790	M736	P790/S	G161	G307	DPX5#11
T828-47-064LL		1/4"(6.4)	E789	D789	M730	P789/S	G161	G307	DPX5#11
T828-47-032L		1/8"(3.2)	E791	D791	M734	P791/S	G162-A (G162+G406)	G307	DPX5#11
T828-47-048L		3/16"(4.8)	E790	D790	M736	P790/S	G162-A (G162+G406)	G307	DPX5#11
T828-47-064L		1/4"(6.4)	E789	D789	M730	P789/S	G162-A (G162+G406)	G307	DPX5#11
T828-47-032LL/C	C300M-A2	1/8"(3.2)	E794-A	D794	M734	P791A	G163	G307	DPX5#11
T828-47-048LL/C	C300M-A2	3/16"(4.8)	E793-A	D793	M736	P790A	G163	G307	DPX5#11
T828-47-064LL/C	C300M-A2	1/4"(6.4)	E792-A	D792	M730	P789A	G163	G307	DPX5#11
T828-47-032L/C	C300M-A2	1/8"(3.2)	E794-A	D794	M734	P791A	G164-A (G164+G406)	G307	DPX5#11
T828-47-048L/C	C300M-A2	3/16"(4.8)	E793-A	D793	M736	P790A	G164-A (G164+G406)	G307	DPX5#11
T828-47-064L/C	C300M-A2	1/4"(6.4)	E792-A	D792	M730	P789A	G164-A (G164+G406)	G307	DPX5#11
T828-48-032L		1/8"(3.2)	E791	D791	M0032R M0032L	P791/S	G169-A (G169+G409)	G307	DPX5#11
T828-48-048L		3/16"(4.8)	E790	D790	M0048R M0048L	P790/S	G169-A (G169+G409)	G307	DPX5#11
T828-48-064L		1/4"(6.4)	E789	D789	M0064R M0064L	P789/S	G169-A (G169+G409)	G307	DPX5#11

# T828 規格件表 / CONVERSION CHART

MODEL	OPERATING PANEL	SUB-CLASS	NEEDLE PLATE	FEED DOG	NEEDLE CLAMP	PRESSER FOOT	HOOK	BOBBIN	NEEDLE
									
機 型	操作盒	規 格	針 板	下送具	針 鉗	押 具	旋 梭	梭 子	針 號
T828-48-032L/C	C300M-A2	1/8"(3.2)	E794-A	D794	M0032R M0032L	P791A	G170-A (G170+G410)	G307	DPX5#11
T828-48-048L/C	C300M-A2	3/16"(4.8)	E793-A	D793	M0048R M0048L	P790A	G170-A (G170+G410)	G307	DPX5#11
T828-48-064L/C	C300M-A2	1/4"(6.4)	E792-A	D792	M0064R M0064L	P789A	G170-A (G170+G410)	G307	DPX5#11
T828-72-032ML		1/8"(3.2)	E762	D734/P	M734	P762/S	G165	G310	DPX5#14
T828-72-048ML		3/16"(4.8)	E761	D736/P	M736	P761/S	G165	G310	DPX5#14
T828-72-064ML		1/4"(6.4)	E760	D730/P	M730	P760/S	G165	G310	DPX5#14
T828-72-032HL		1/8"(3.2)	E762	D734/P	M734	P762/S	G165	G310	DPX5#22
T828-72-048HL		3/16"(4.8)	E761	D736Q	M736	P761/S	G165	G310	DPX5#22
T828-72-064HL		1/4"(6.4)	E760	D730Q	M730	P760/S	G165	G310	DPX5#22
T828-72-032M/C	C300M-A2	1/8"(3.2)	E788-A	D754	M734	P762/S	G168-A (G168+G411)	G310	DPX5#14
T828-72-048M/C	C300M-A2	3/16"(4.8)	E787-A	D766	M736	P761/S	G168-A (G168+G411)	G310	DPX5#14
T828-72-064M/C	C300M-A2	1/4"(6.4)	E786-A	D745	M730	P760/S	G168-A (G168+G411)	G310	DPX5#14
T828-72-032H/C	C300M-A2	1/8"(3.2)	E788-A	D788D	M734	P762/S	G168-A (G168+G411)	G310	DPX5#22
T828-72-048H/C	C300M-A2	3/16"(4.8)	E787-A	D787D	M736	P761/S	G168-A (G168+G411)	G310	DPX5#22
T828-72-064H/C	C300M-A2	1/4"(6.4)	E786-A	D786D	M730	P760/S	G168-A (G168+G411)	G310	DPX5#22
T828-72-064HL/C	C300M-A2	1/4"(6.4)	E786-A	D786D	M730	P760/S	G168-A (G168+G411)	G310	DPX5#22
T828-75-032M		1/8"(3.2)	E762	D734/P	M0032R M0032L	P762/S	G166-A (G166+G407)	G310	DPX5#14
T828-75-048M		3/16"(4.8)	E761	D736/P	M0048R M0048L	P761/S	G166-A (G166+G407)	G310	DPX5#14



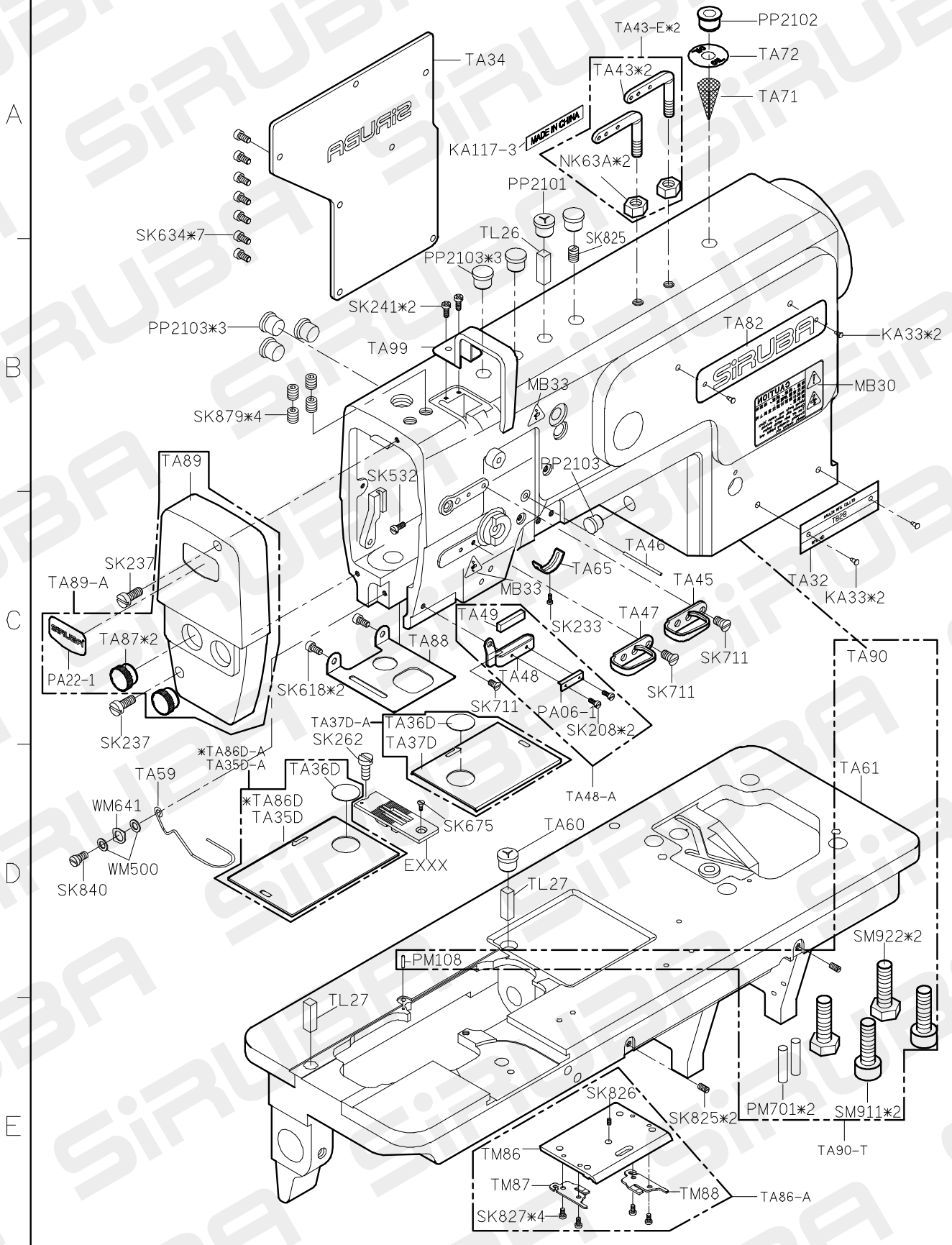
# T828 PARTS LIST FOR TA GROUP (T828-42) P.1/3



FOR T828

10/09/20

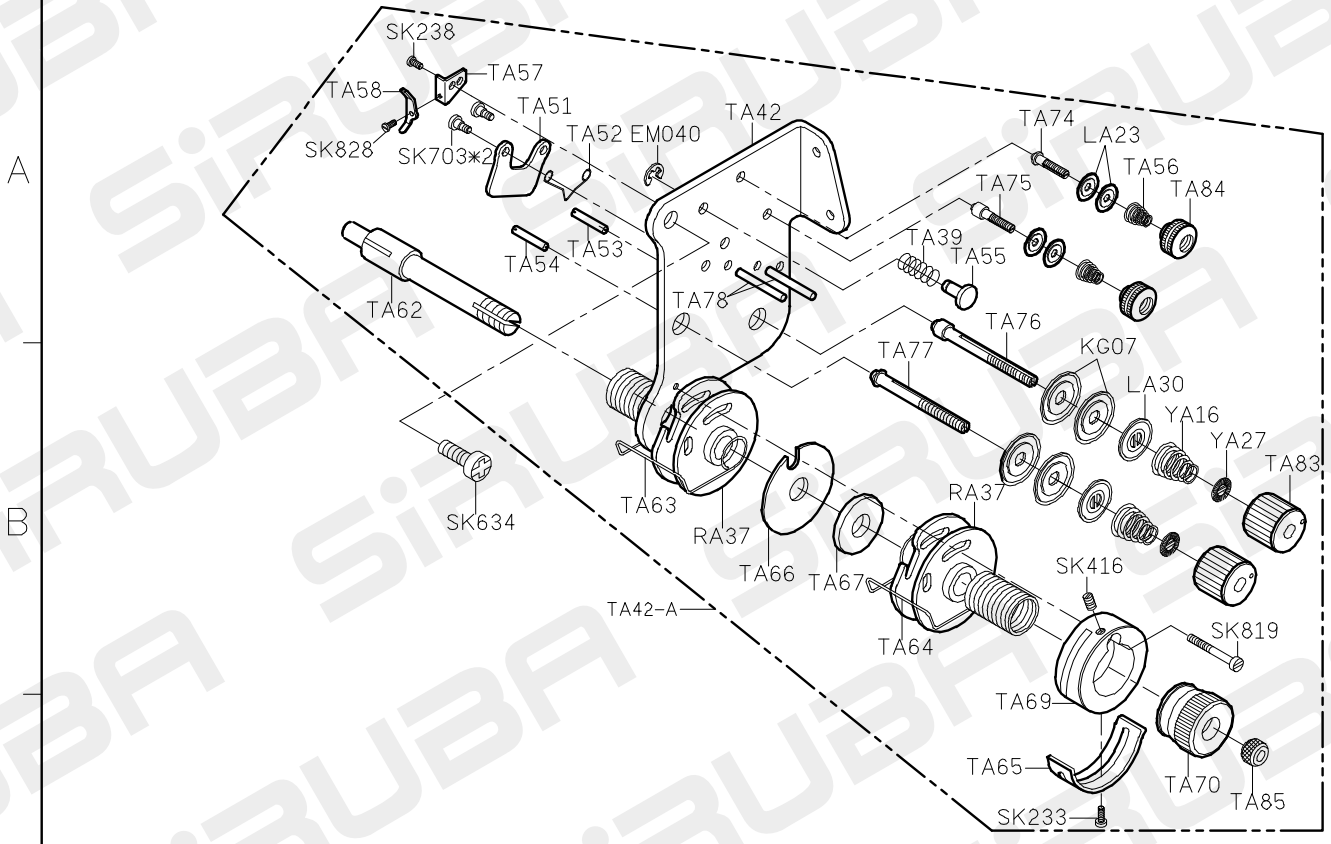
# T828 PARTS LIST FOR TA GROUP (T828-<sup>45</sup>/<sub>75</sub>) P.2/3



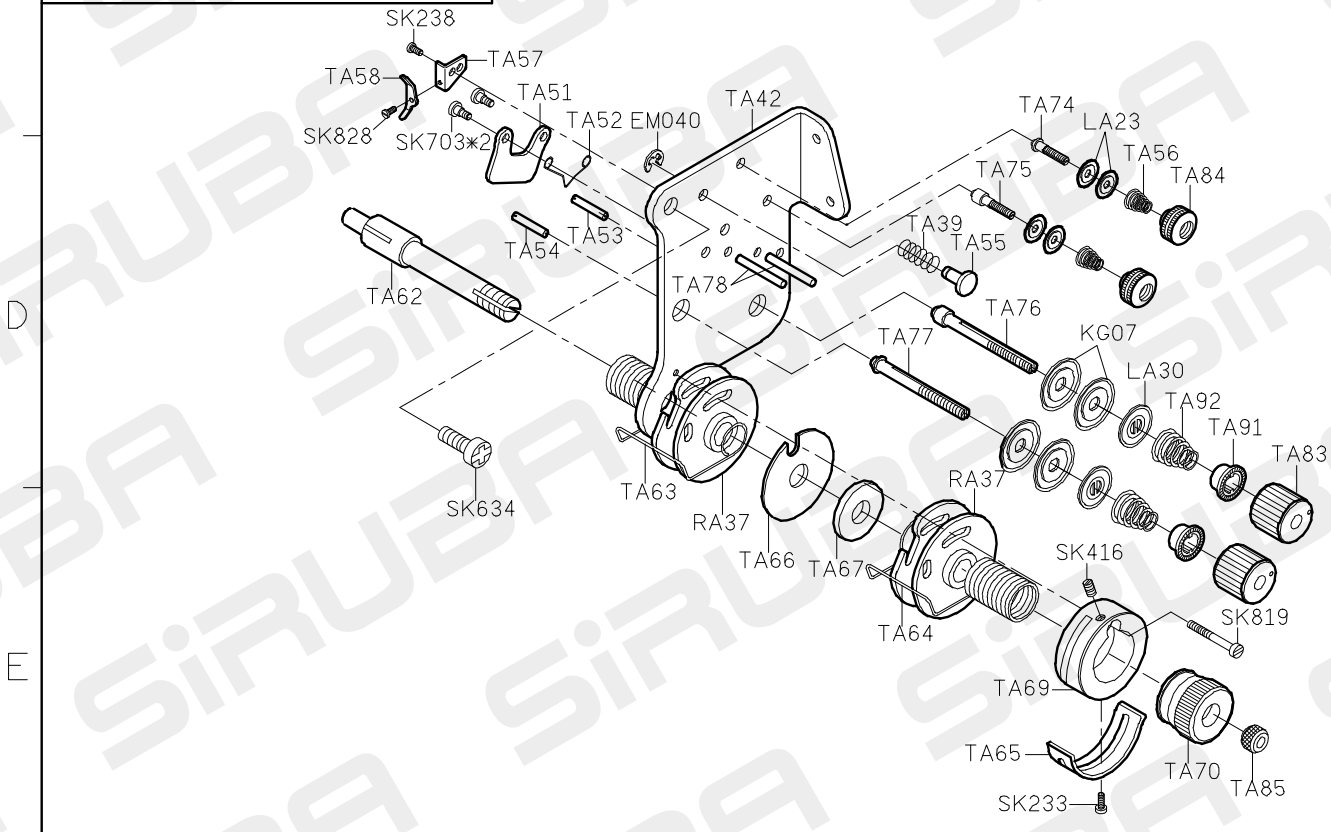
FOR T828

10/09/20

# T828 PARTS LIST FOR TA GROUP P.3/3



## TA91-A (FOR T828-47/48)









# T828 PARTS LIST FOR TC GROUP P.1/1

MODEL	T828-42		T828-45		T828-72		T828-75	
	M	H	M	H	M	H	M	H
PARTS NO	TC50	TC50	TC50	TC50	TC79	TC79	TC79	TC79
	TC66	TC81	TC66	TC81	TC82	TC82	TC82	TC82
	TC69	TC69	TC69	TC69	TC78	TC78	TC78	TC78
	TC70	TC85	TC70	TC85	TC70	TC70	TC70	TC70

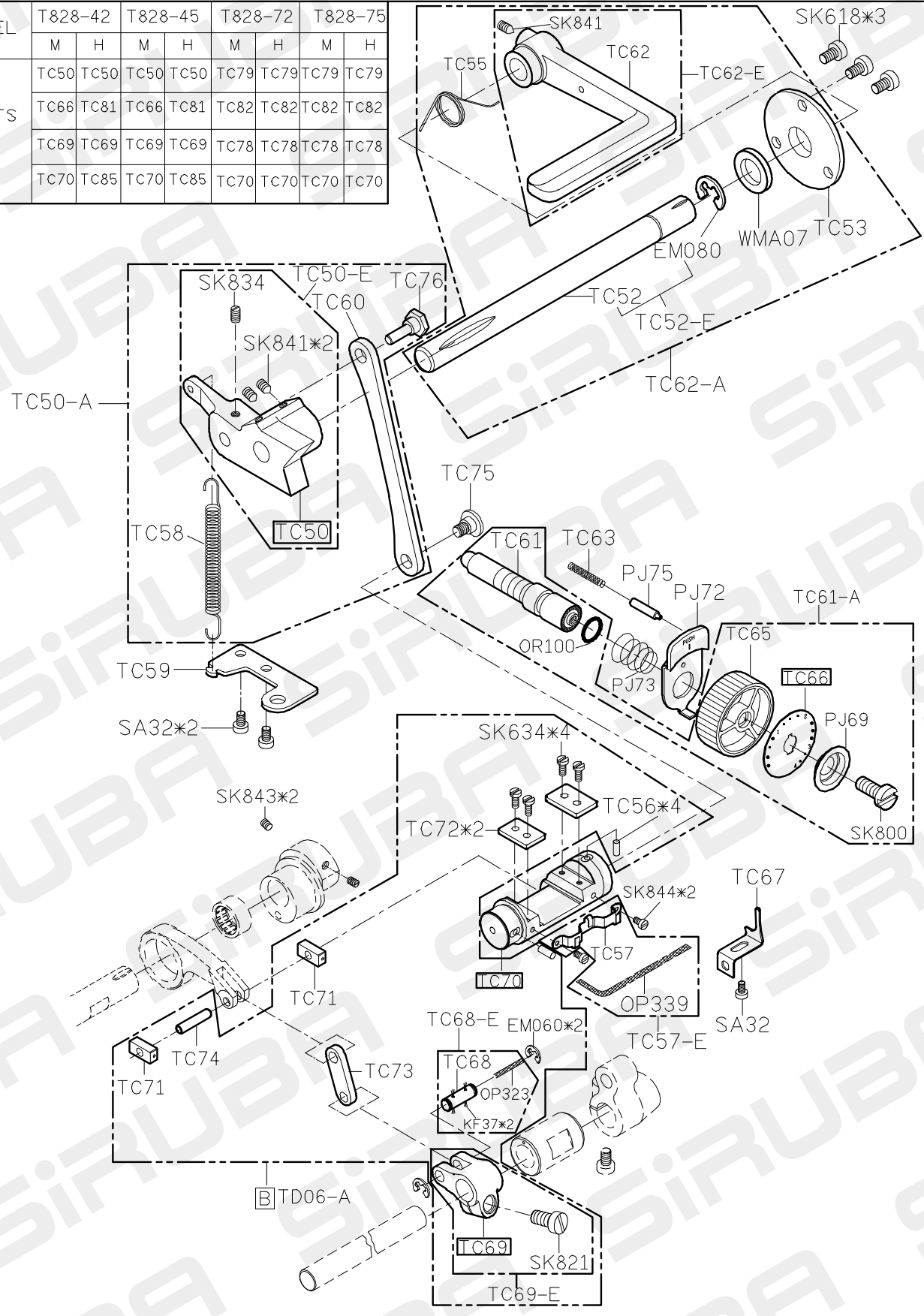
A

B

C

D

E



# T828 PARTS LIST FOR TD GROUP P.1/1

MODEL	T828-42/45		T828-47/48		T828-72/75	
	M	H	L	M	H	
TD01	TD01	TD01	TD30	TD30		
TD02	TD02	TD02	TD31	TD31		
TD03	TD03	TD32	TD03	TD03		
TD04	TD04	TD04	TD28	TD28		
TD19	TD19	TD19	TD29	TD29		

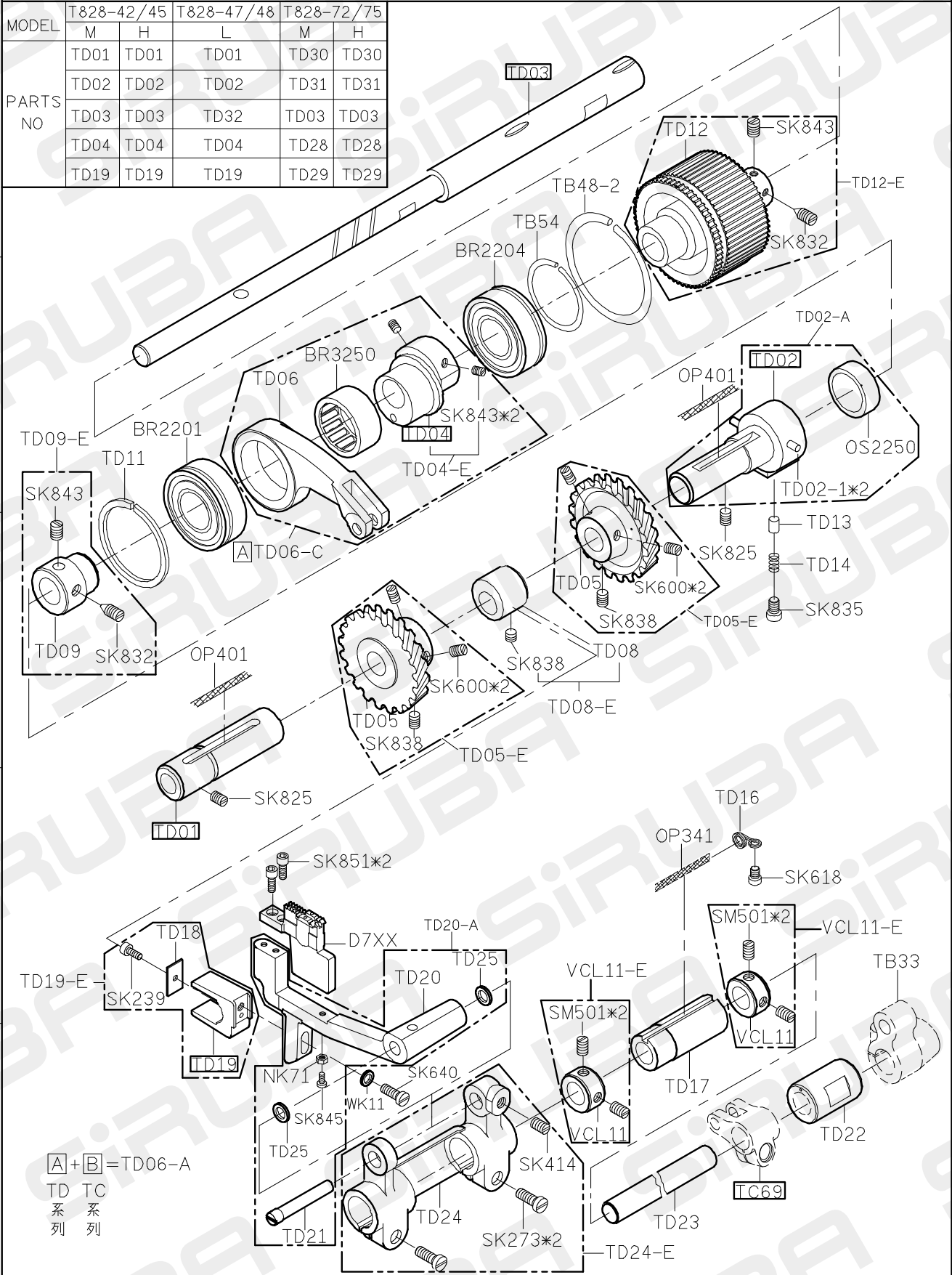
A

B

C

D

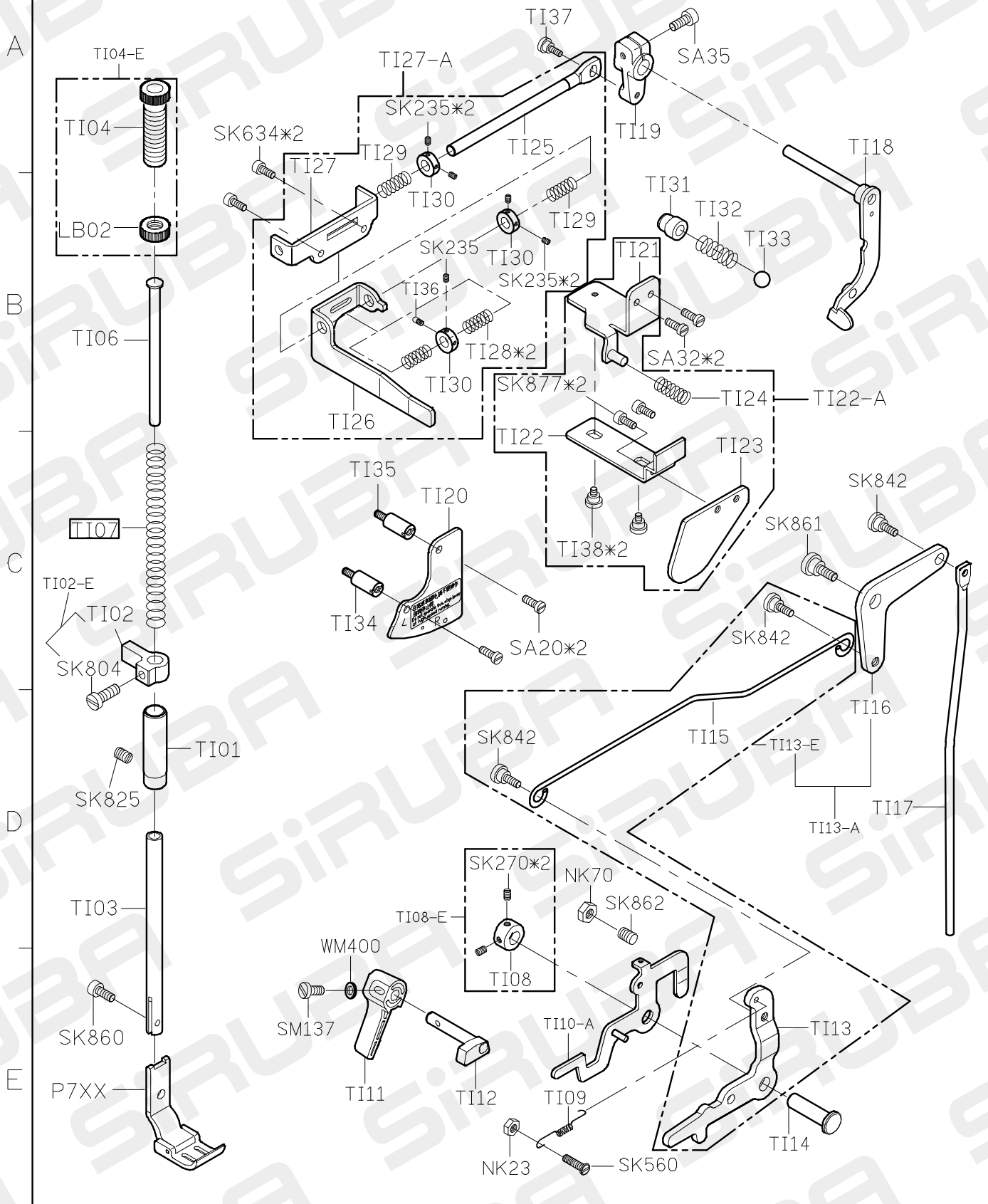
E





# T828 PARTS LIST FOR TI GROUP P.1/1

MODEL	T828-42/45		T828-47/48		T828-72/75	
	M	H	L	M	H	
PARTS NO	TI07	TI07	TI45	TI07	TI07	



FOR T828

10/09/20

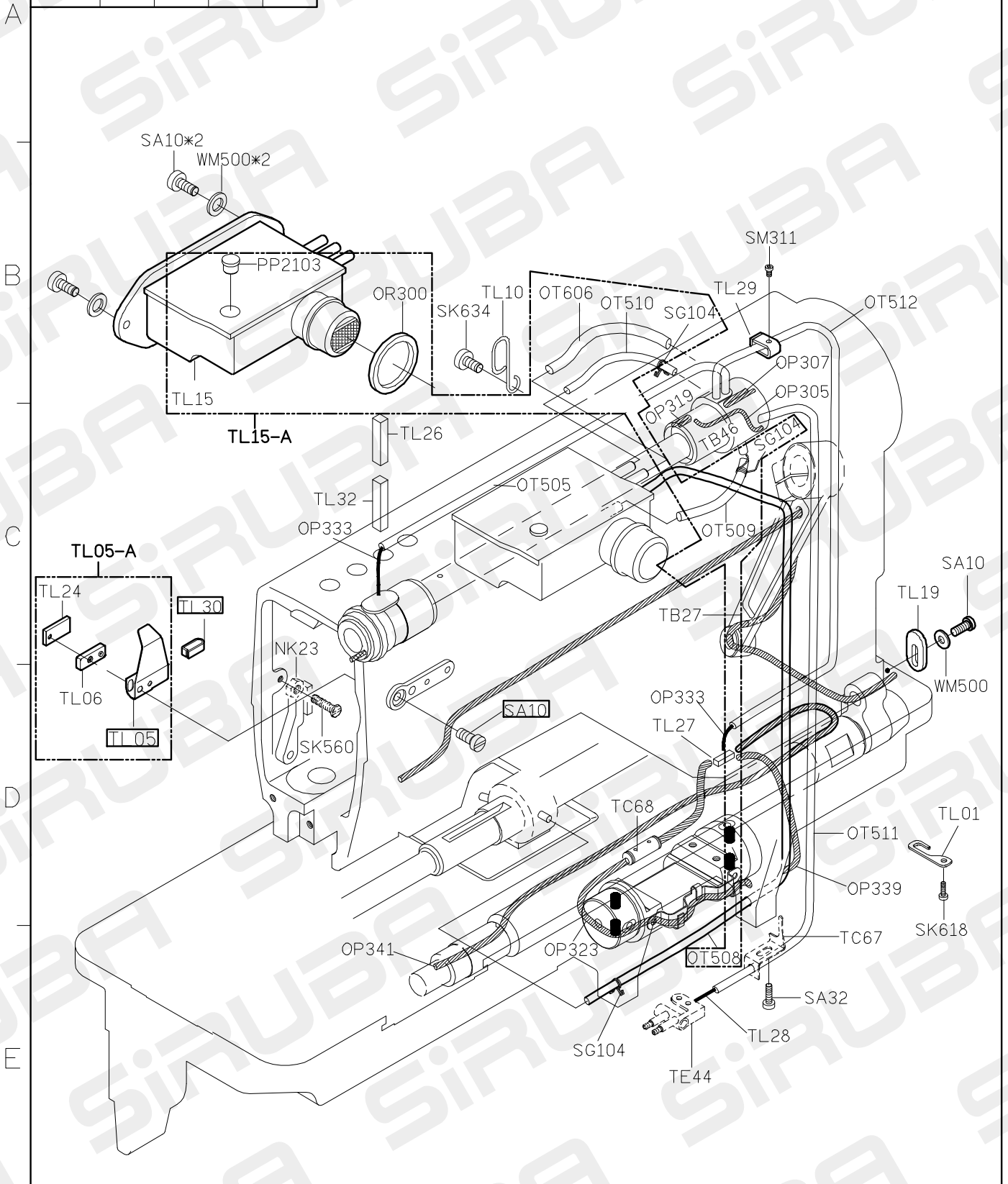
# PARTS LIST

FOR TL

GROUP

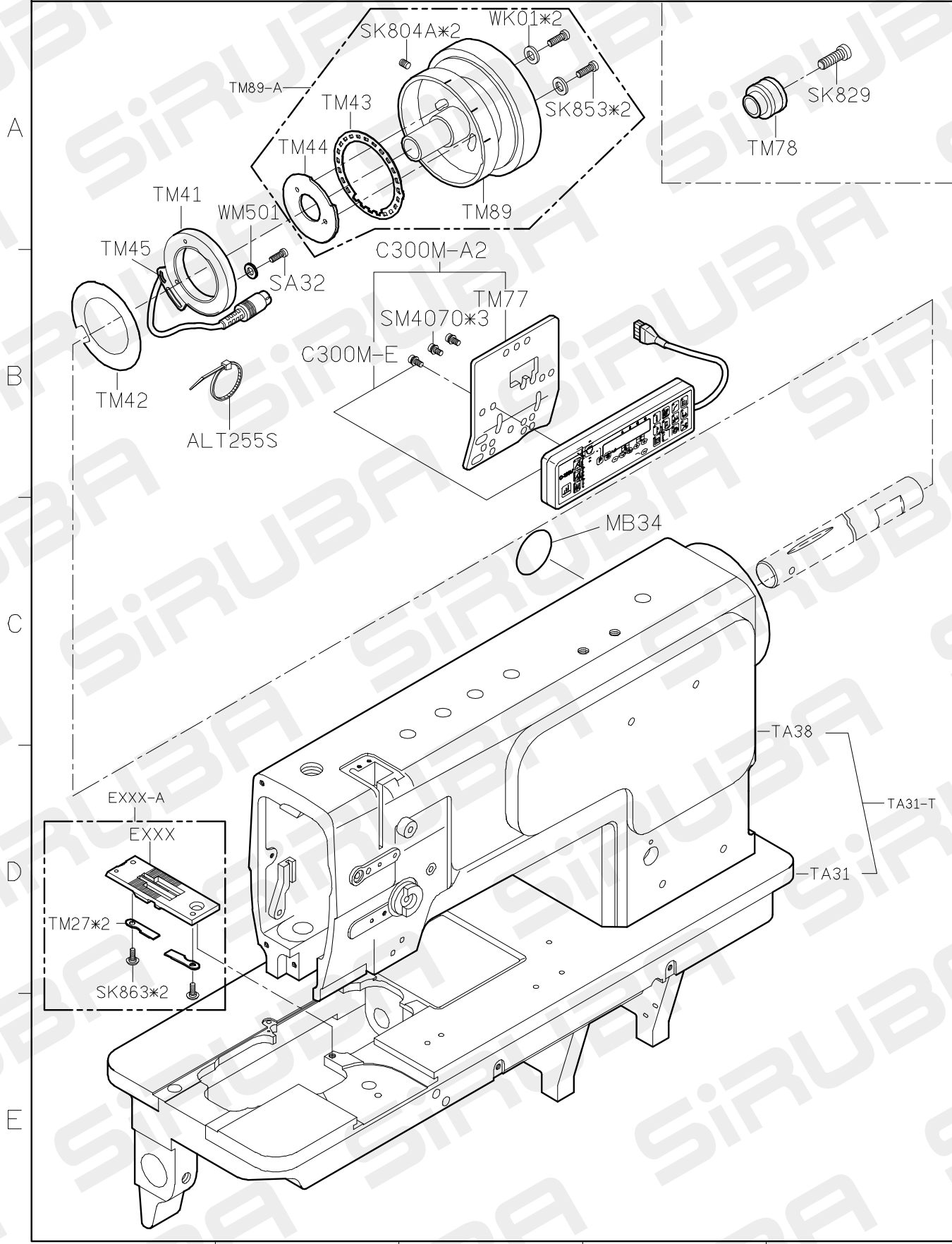
P.1/1

MODEL	T828-42/72		T828-45/75	
	M	H	M	H
PARTS NO	SA10	SA10	SA12	SA12
	TL05	TL05	TL31	TL31



FOR T828

# T828 PARTS LIST FOR TM GROUP FOR THREAD TRIMMER P.1/7



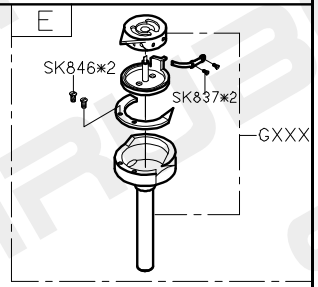


# T828 PARTS LIST FOR TM GROUP FOR THREAD TRIMMER P.2/7

MODEL	T828-42/45		T828-72/75	
	M	H	M	H
TE06	TE06	TE56	TE56	
TE07	TE07	TE57	TE57	
TE15	TE15	TE58	TE58	
TE18	TE18	TE59	TE59	
TM82	TM82	TM95	TM95	
TM83	TM83	TM96	TM96	

A

PARTS NO

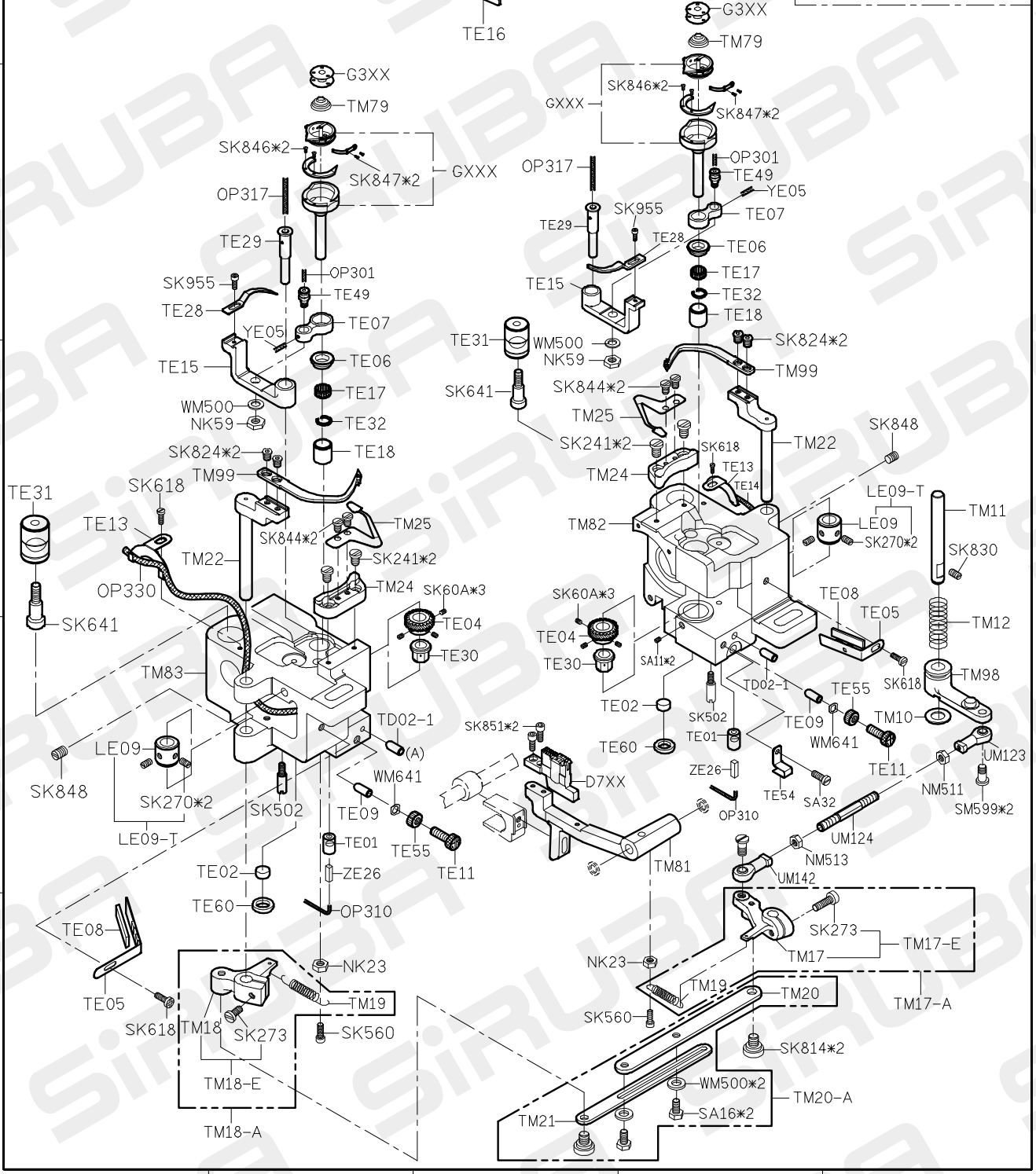


B

C

D

E

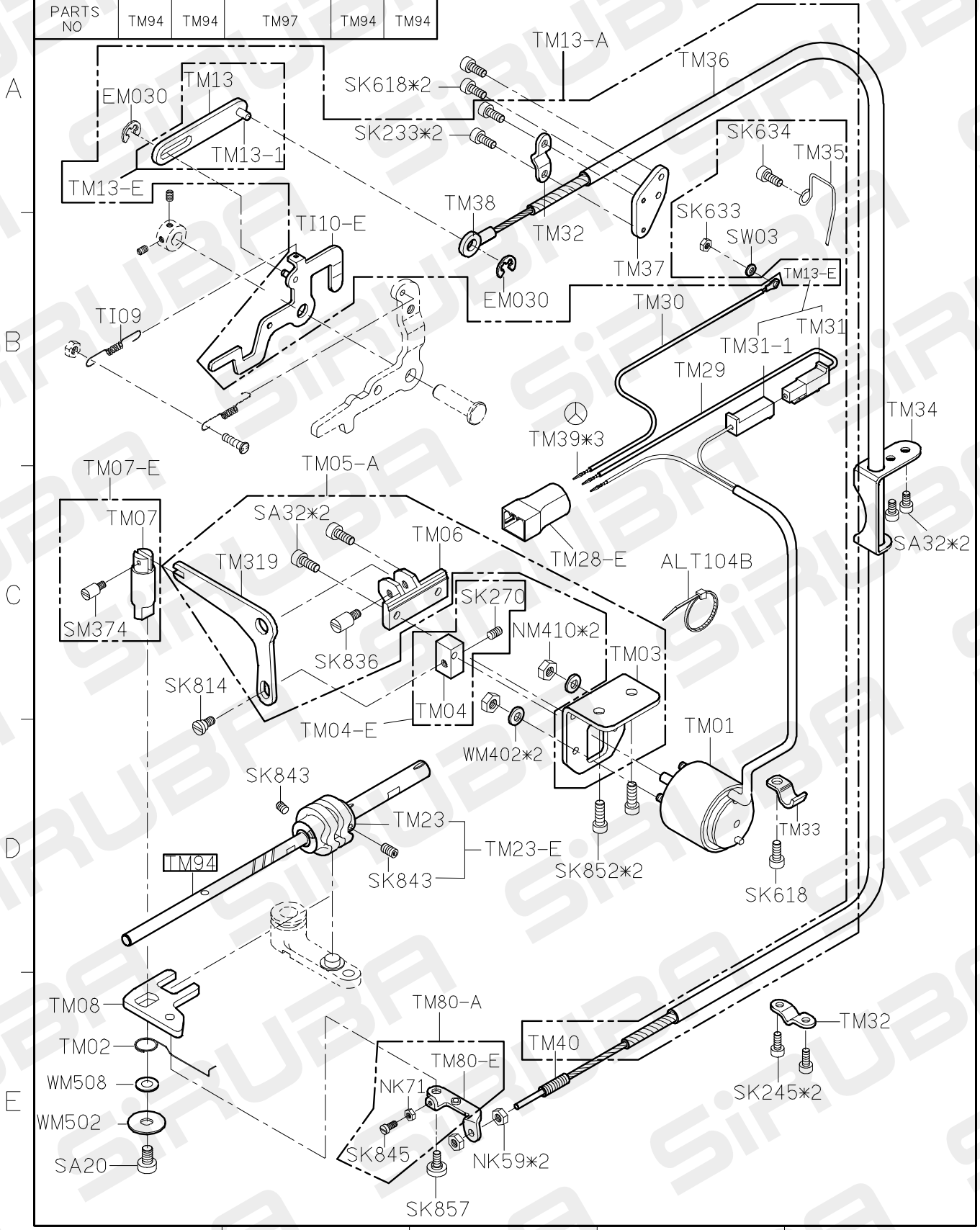


1 2 3 4 5

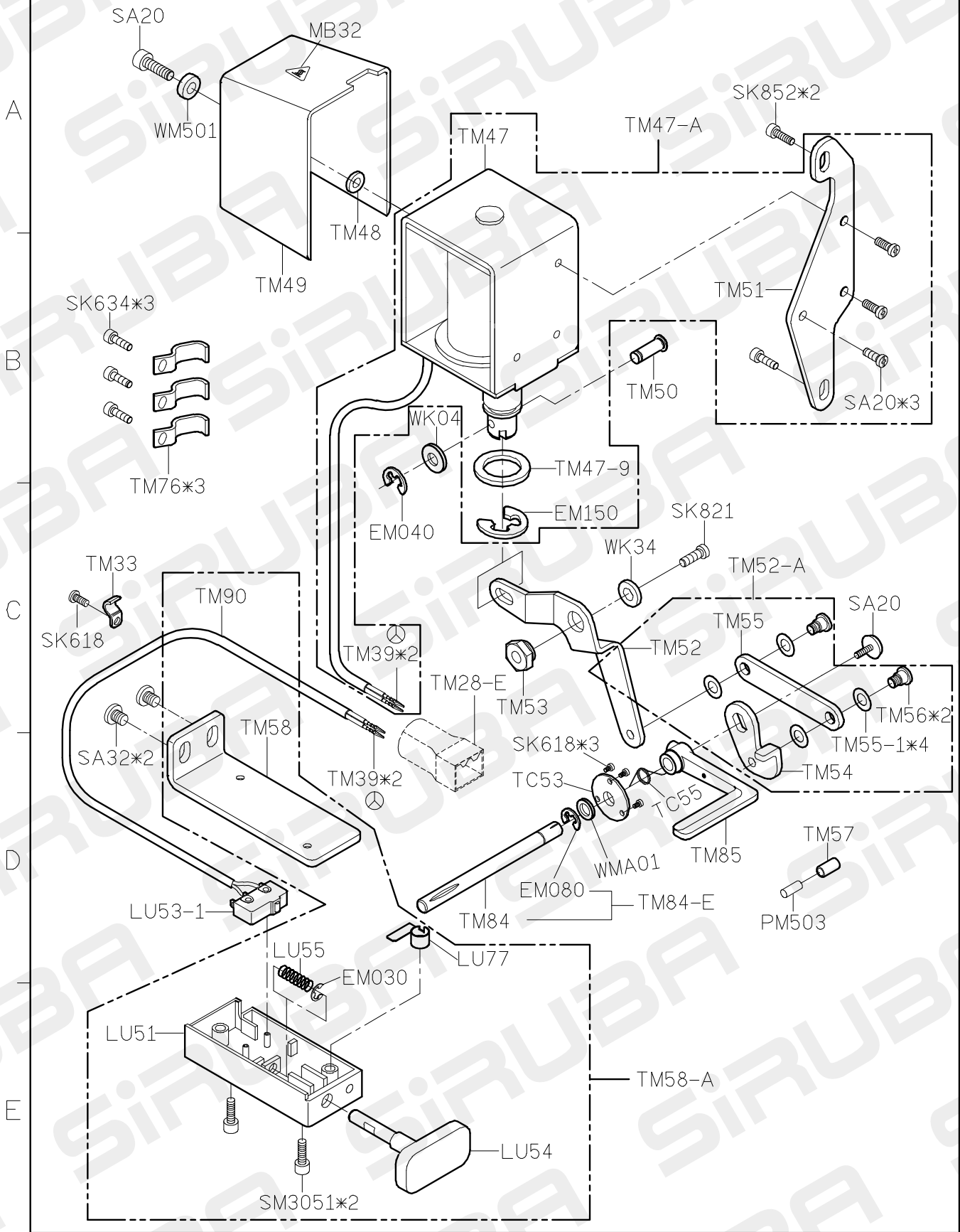
FOR T828

# T828 PARTS LIST FOR TM GROUP FOR THREAD TRIMMER P.3/7

MODEL	T828-42/45		T828-47/48	T828-72/75	
	M	H	L	M	H
PARTS NO	TM94	TM94	TM97	TM94	TM94



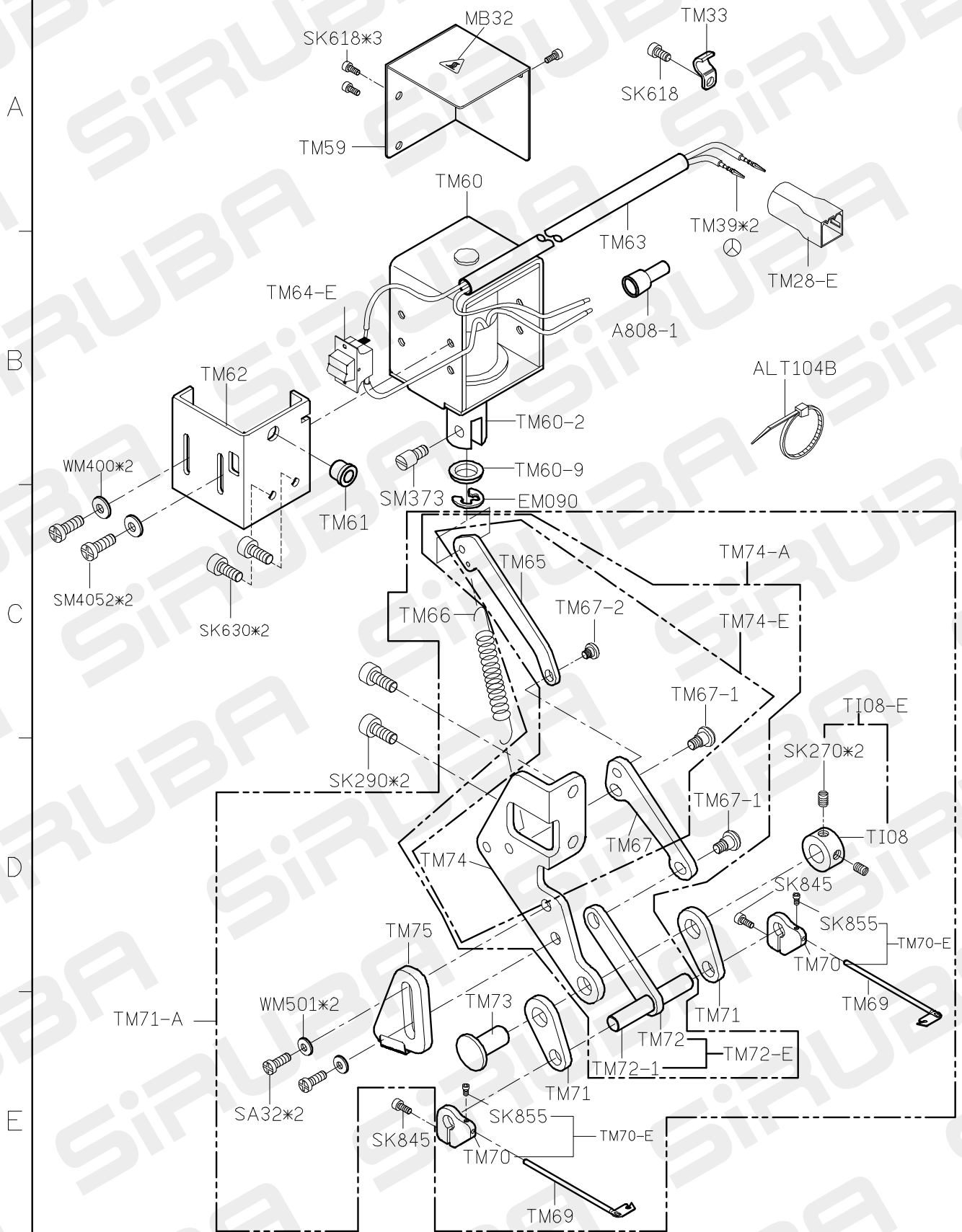
# T828 PARTS LIST FOR TM GROUP FOR THREAD TRIMMER P. 4/7



FOR T828

10/09/20

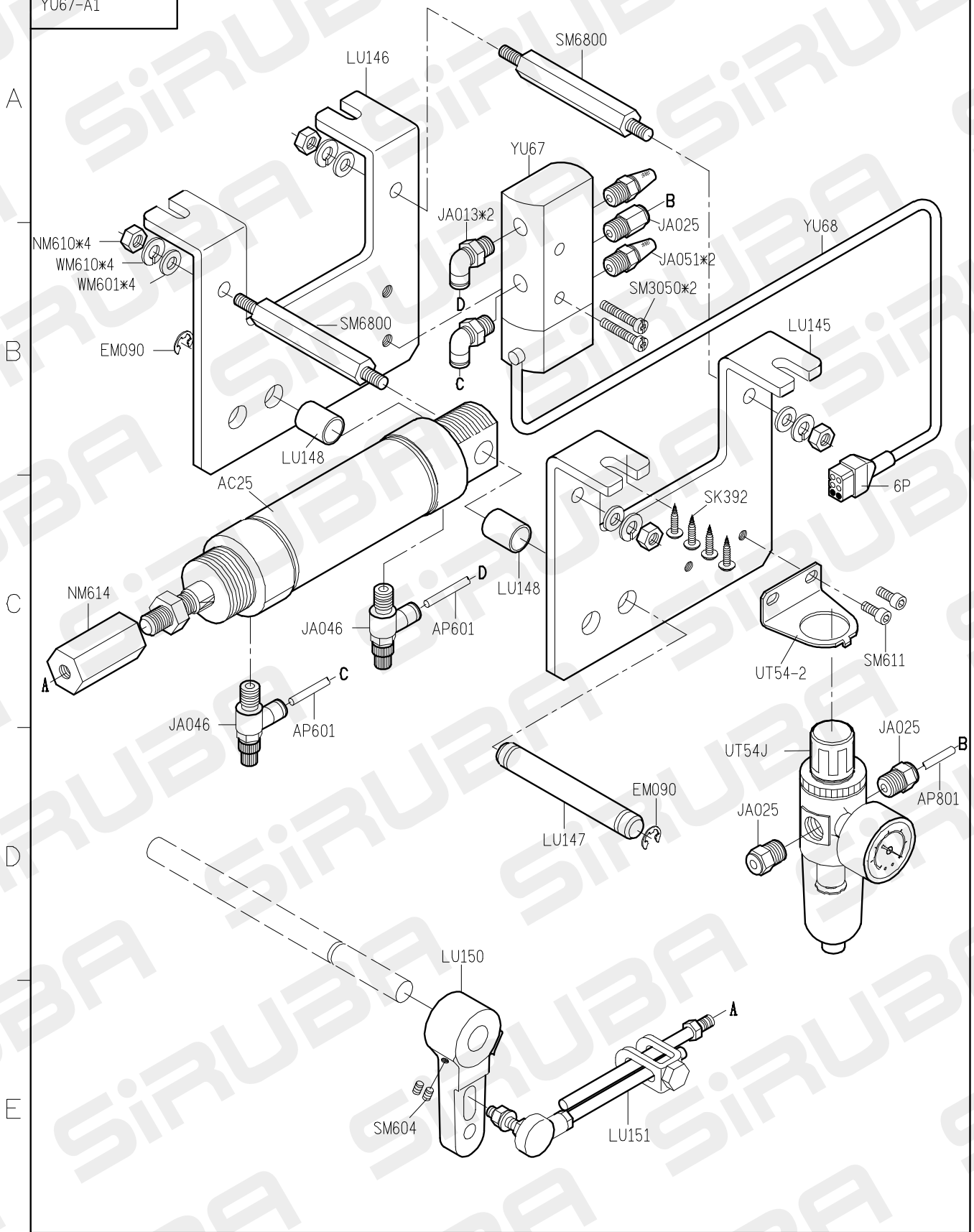
# T828 PARTS LIST FOR TM GROUP FOR THREAD TRIMMER P.5/7



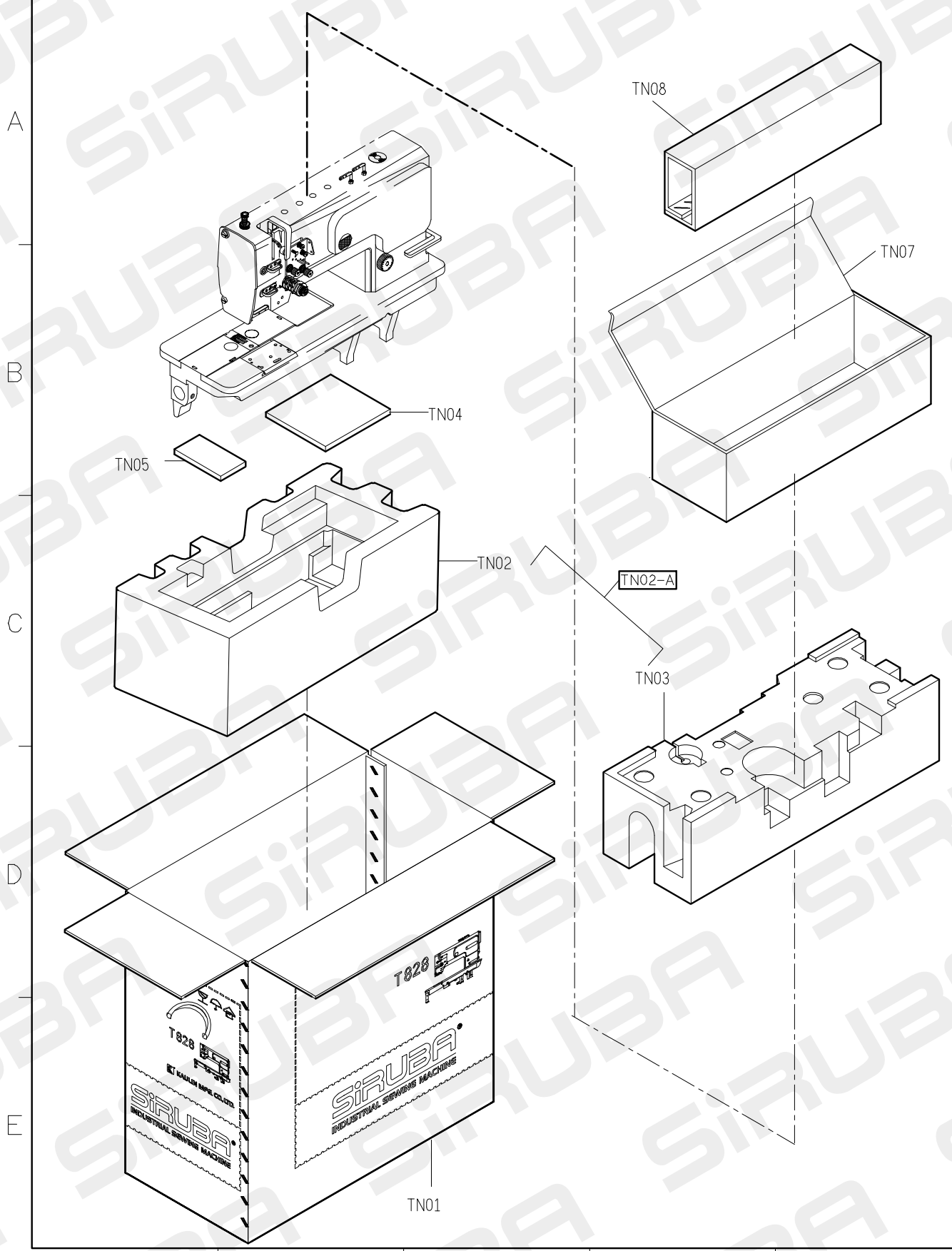


# T828 PARTS LIST FOR TM GROUP Air Type Auto-Lifter P.7/7

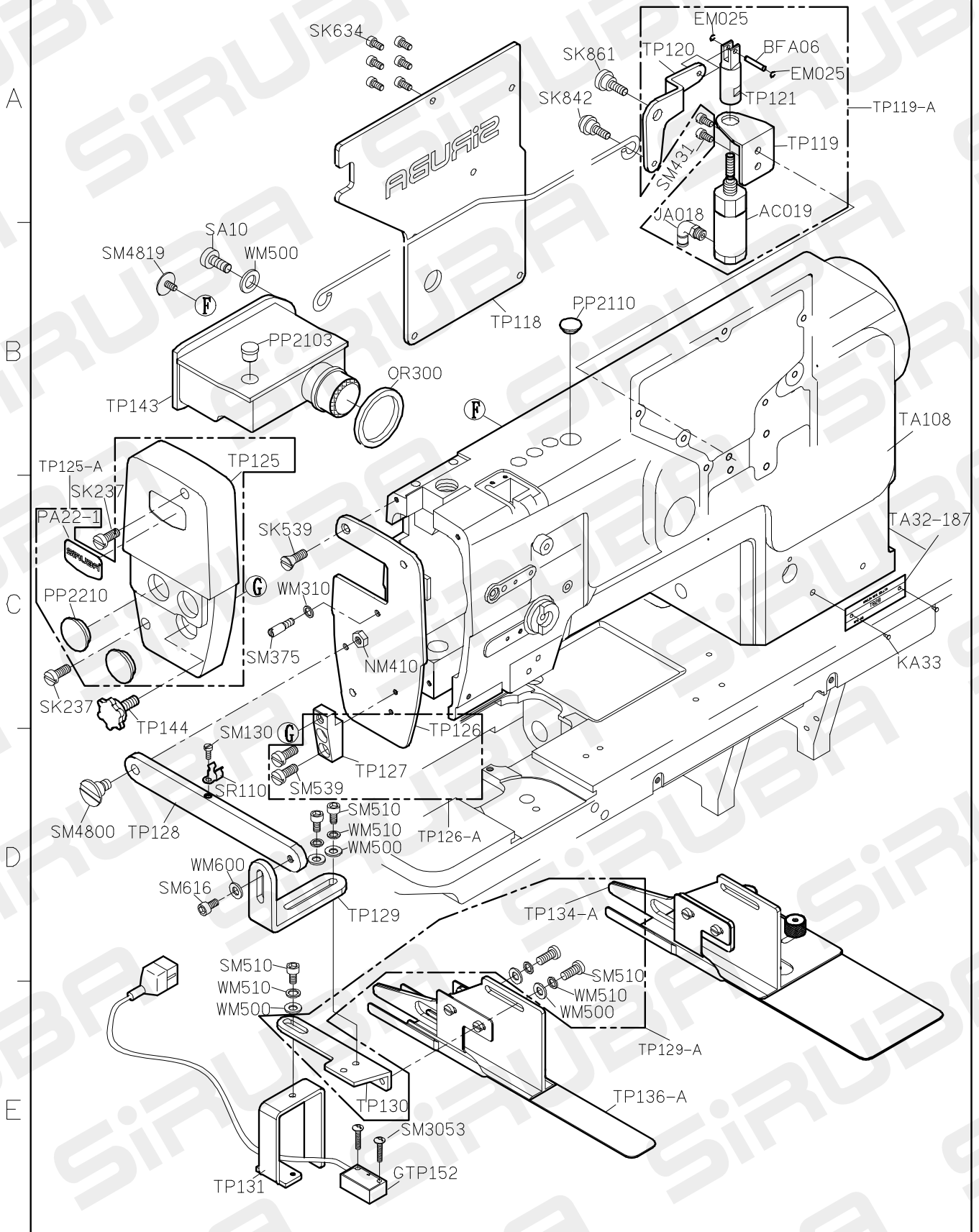
YU67-A1



T828 PARTS LIST FOR TN GROUP P.1/1



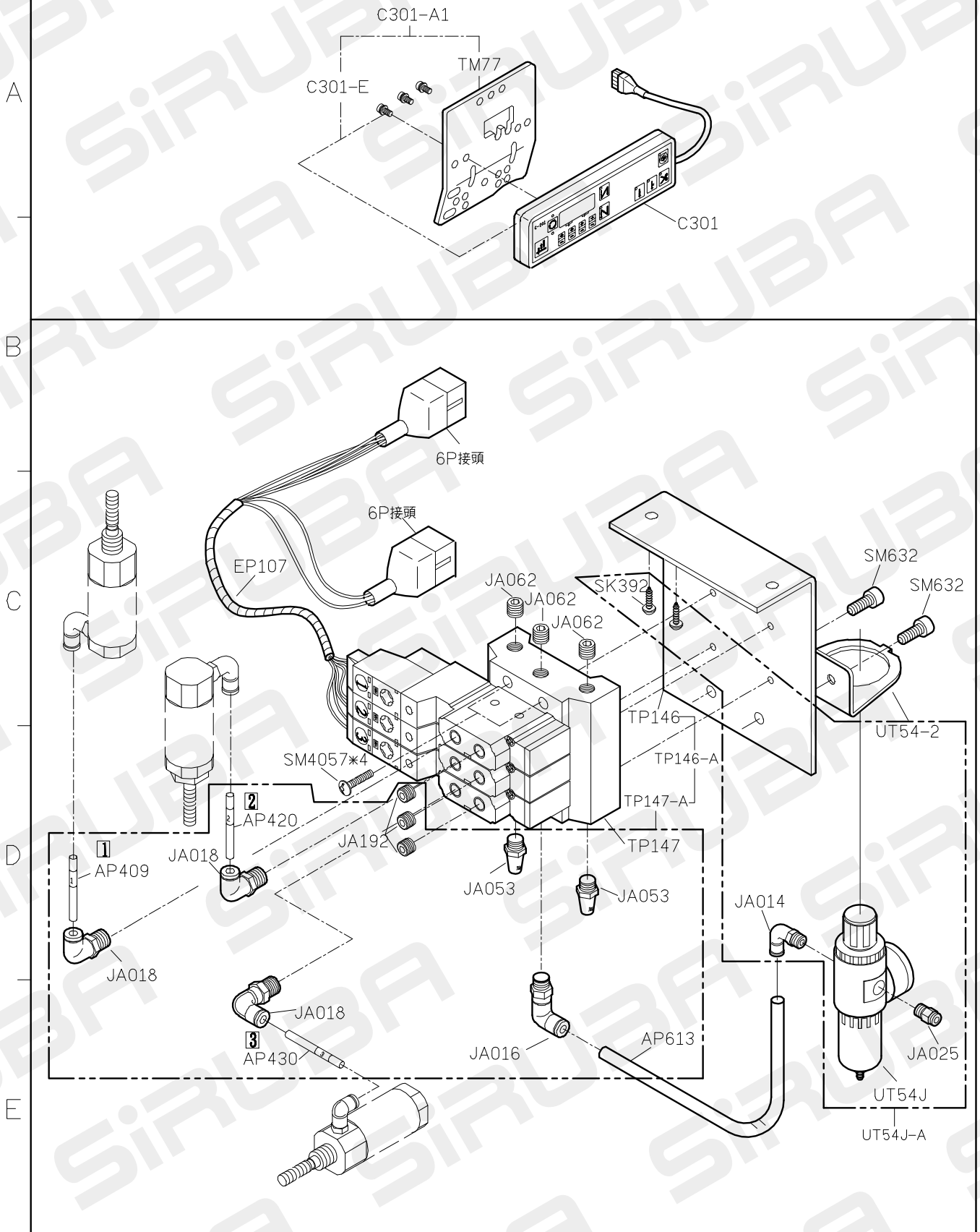
# T828 TP PARTS LIST FOR TP GROUP P.1/5



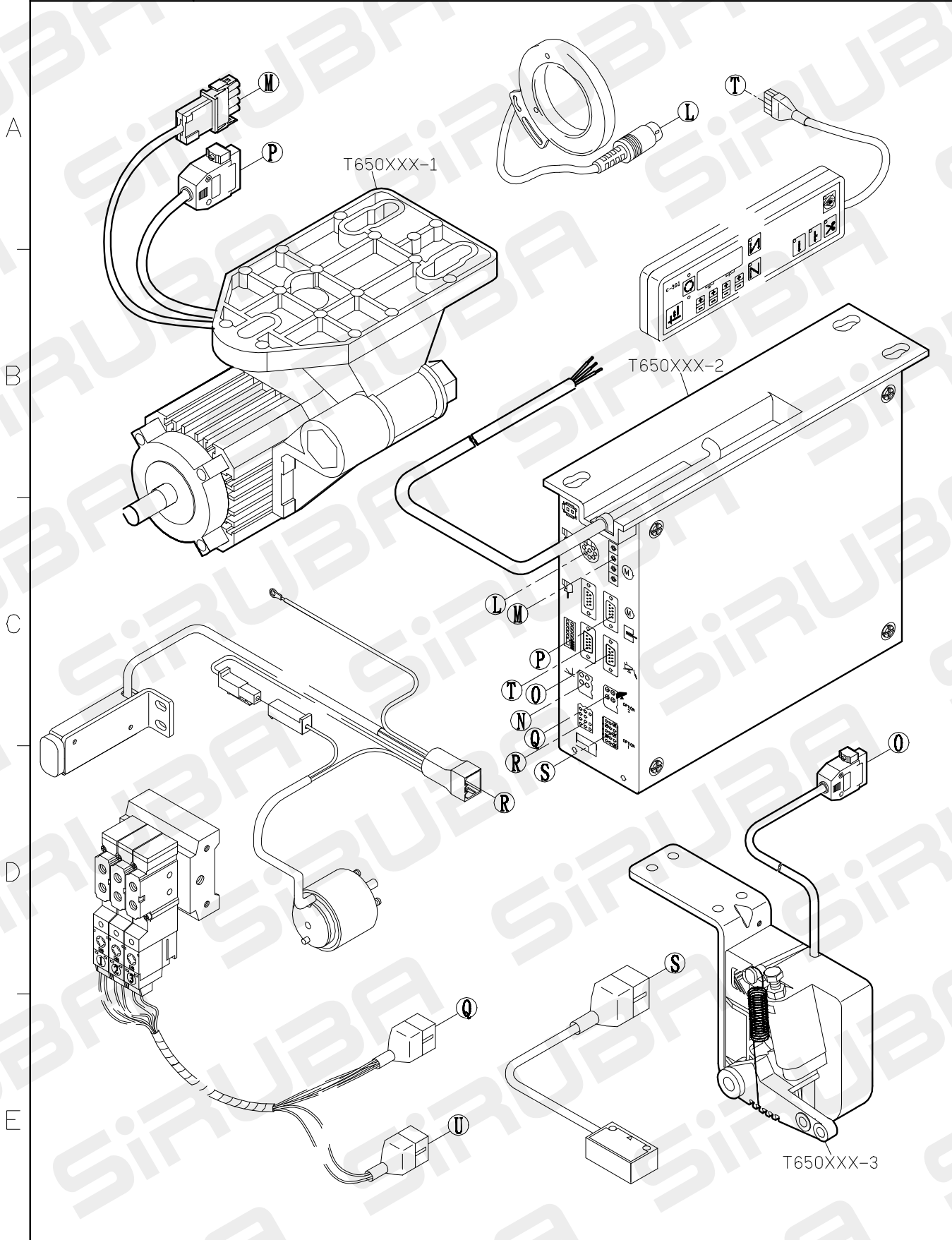




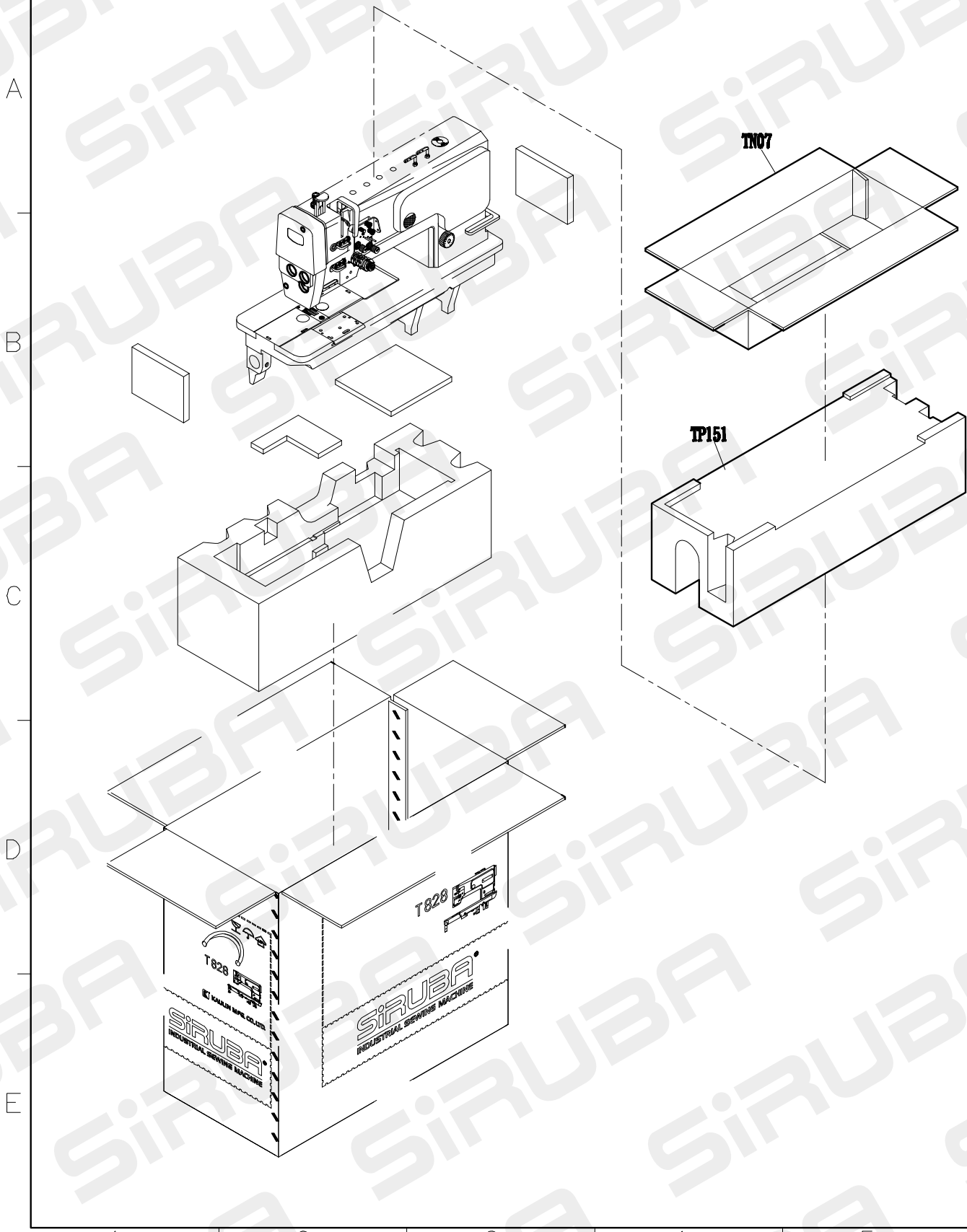
# T828 \ TP PARTS LIST FOR TP GROUP P.3/5



T828 \ TP PARTS LIST FOR TP GROUP P.4/5



# T828 \ TP PARTS LIST FOR TP GROUP P.5/5



A  
B  
C  
D  
E

1 2 3 4 5



# T828 PARTS LIST FOR THREAD STAND GROUP P.1/1

PY11-3

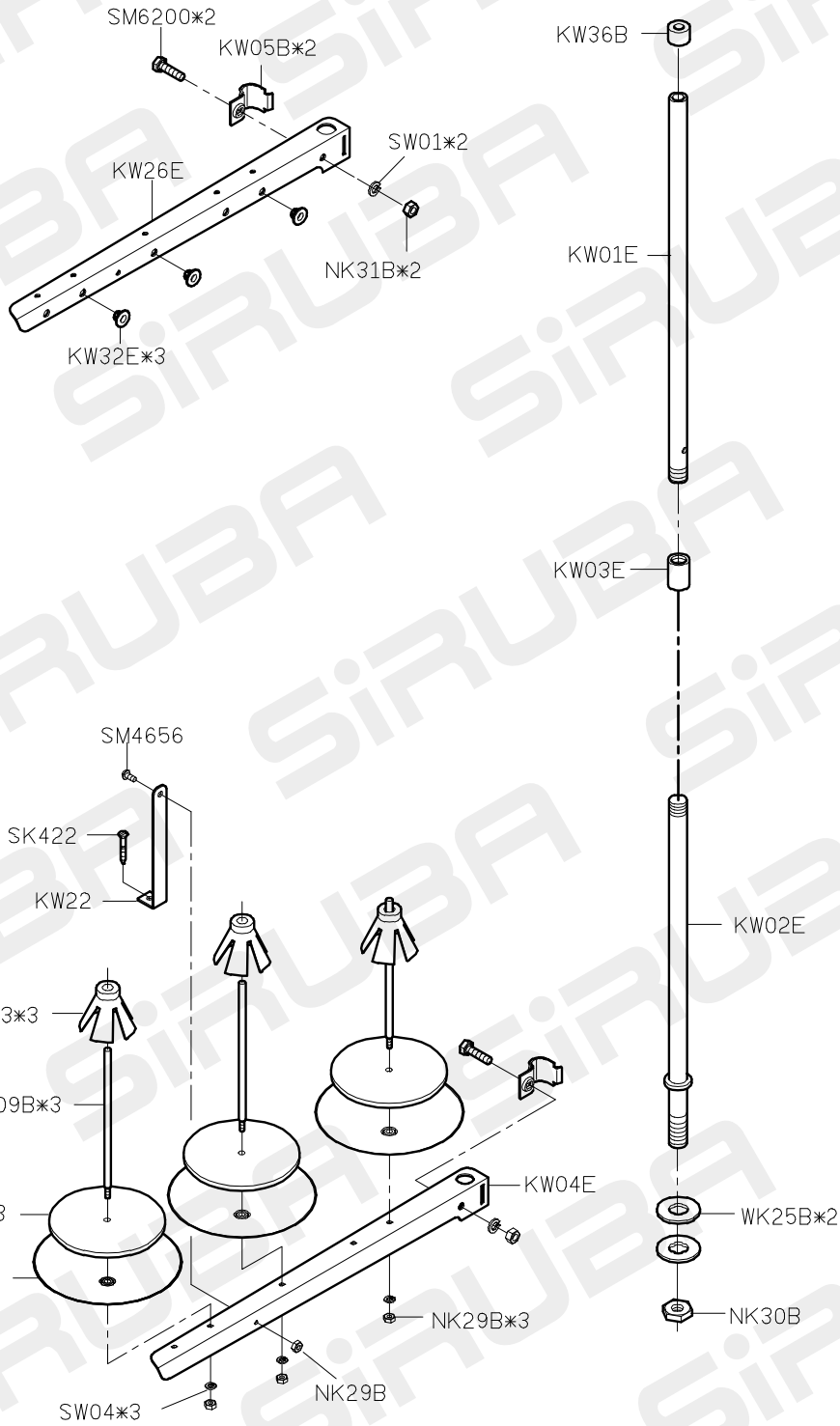
A

B

C

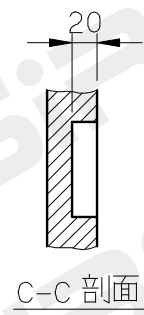
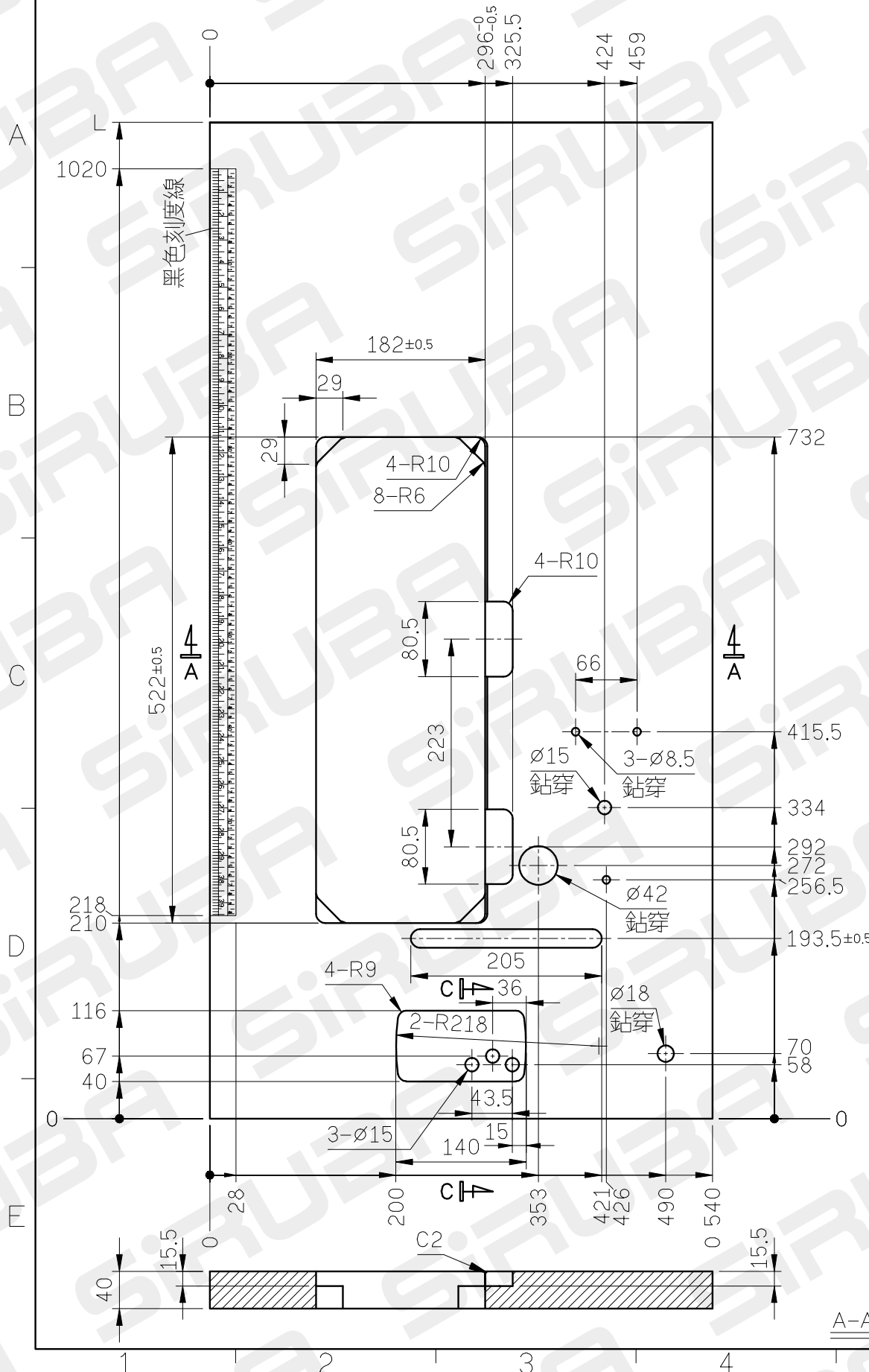
D

E



# TABLE CUT-OUT OF T828-T1

單位/UNIT:mm  
 所有尺寸公差/DIFFERENCE:±2  
 T828-T1-1070 長度(L):1070/重量  
 T828-T1 長度(L):1200/重量:11.3kg±5%  
 全封邊灰格紋光塑面台板



A-A 剖面